

# TRUE BLUE POWER®

A division of Mid-Continent Instrument Co., Inc.



## Advanced Lithium-ion Battery

TB17

Manufactured by Mid-Continent Instrument Co., Inc.



TB17

The TB17 Advanced Lithium-ion Battery uses the most sophisticated lithium-ion chemistry available, providing aviators with an unmatched advantage of power, safety, life and energy.

Ideal for the piston, turbine, and emergency power market, the TB17 starts the aircraft's engine quickly and features superior energy density — Nanophosphate® lithium-ion cells offer 3x the energy per kilogram, resulting in a battery that is 45% lighter than lead-acid or nickel-cadmium alternatives.

This advanced battery system is engineered to deliver an overall lower cost of ownership with a 2-year maintenance schedule, efficient engine starts, extended useful life and intelligent battery status communication to the cockpit.

### Product features

CAPACITY	17 amp-hour battery nominal at 23°C/73.4°F
WEIGHT	15.6 lbs.
TECHNOLOGY	Advanced Nanophosphate® lithium-ion cell chemistry from A123 Systems, LLC
EFFICIENCY	Higher voltage during engine start — Less wear, less maintenance and increased useful life
PERFORMANCE	7 engine starts in 7 minutes  30 minutes (at 34 amps) for complete recharge when the battery is fully discharged  Superior performance at higher temperatures (up to 50°C/122°F)
ENERGY DENSITY	A123 battery cells deliver 3x the energy per kilogram when compared to lead-acid and nickel-cadmium cells
INTERNAL HEATER	Automatic internal heater
PROTECTION	Overcharge, over-discharge, over-current, short circuit, over-temperature, under-temperature and charge current limiting
COMMUNICATION	Battery status to the cockpit
MAINTENANCE	2-year maintenance interval; offers 50 – 90% savings on maintenance costs
DESIGNED AND MANUFACTURED	Wichita, Kansas, USA
WARRANTY	2-year limited

[truebluepowerusa.com](http://truebluepowerusa.com)

### The Nanophosphate® Advantage



Superior power by weight or volume in a cost effective solution



Nanophosphate® is stable chemically, providing the foundation for safe systems



Excellent calendar and cycle life with consistent performance over extended use

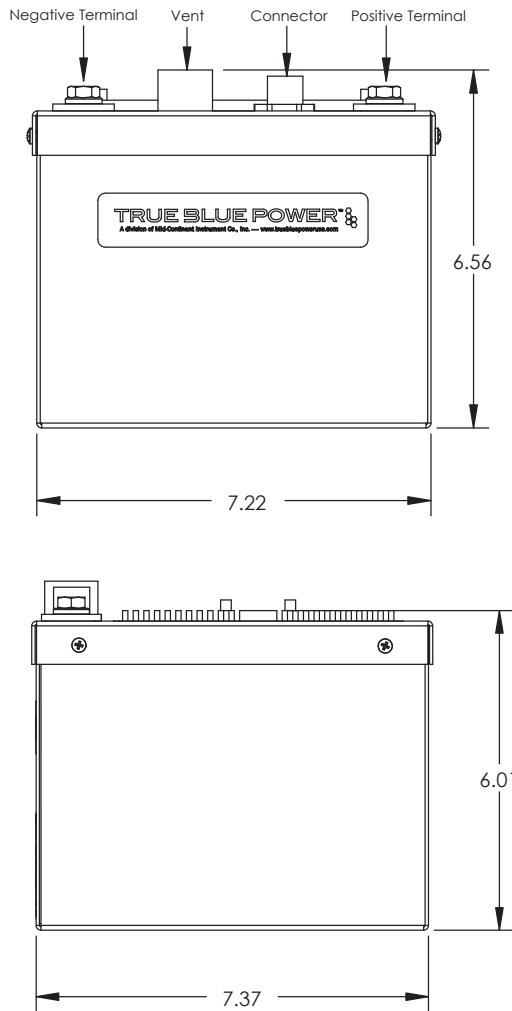


Higher useable energy means greater battery utilization and lower cost

# Advanced Lithium-ion Battery

## TB17

Manufactured by Mid-Continent Instrument Co., Inc.



### Technical specifications

CAPACITY	17 amp-hour battery nominal at 23°C/73.4°F
CHARGE VOLTAGE	28 VDC nominal
OUTPUT VOLTAGE	26.4 VDC nominal
OUTPUT CURRENT	240A continuous, 840A max
TECHNOLOGY	Advanced Nanophosphate® lithium-ion cell chemistry from A123 Systems, LLC
PROTECTION	Overcharge, over-discharge, over-current, short circuit, over-temperature, under-temperature and charge current limiting
ENERGY DENSITY	66.0 Wh/kg
OPERATING TEMPERATURE	87.1 Wh/liter
WEIGHT	-40°C to 50°C (-40°F to 122°F)
DIMENSIONS	15.6 lbs
CONFIGURATION	7.22" L x 7.37" W x 6.01" H
MAINTENANCE	7P8S; 7 parallel cells x 8 series modules
CASE	2-year maintenance interval; offers 50 – 90% savings on maintenance costs
CERTIFICATION	Anodized aluminum, blue  FAA TSO certified to C179a ETSO certified to C179a RTCA DO-311 qualified RTCA DO-160G qualified UNDOT/IATA certified

### Product comparison

	Battery Technology	Voltage Output	Capacity (1C rate)	Weight	Maintenance	Useful Life
TB17	Lithium-ion	26.4 VDC	17 amp-hour	15.6 lbs.	2 years	6 – 10 years
	Lead-acid	24 VDC	13.6 amp-hour	29.5 lbs.	Annual	2 – 4 years
	Nickel-cadmium	24 VDC	17 amp-hour	38.5 lbs.	200 – 400 hours	5 – 10 years