



MD93

## MD93 Series Digital Clock/USB Charger

Manufactured by Mid-Continent Instruments and Avionics

THE MD93 SERIES IS A HIGHLY-ACCURATE DIGITAL CLOCK WITH THE ADDED VALUE OF A DUAL USB CHARGING PORT.

### Save panel space with this unique 2-in-1 solution.

Accurate time-keeping is essential for any pilot and in-flight USB charging power is a necessity. The MD93 Series Digital Clock/USB Charger features intuitive operation with four modes: local time, universal time, flight timer and stopwatch. The Dual USB Charging Port supplies the electric current needed to charge any standard or high-power device with a USB interface, while protecting itself and the charging device from short circuit, power surges and over-current potential.



USB Compatible  
 Devices



iPod classic  
 80GB



iPhone  
 4GB 8GB 16GB



iPad  
 16GB 32GB 64GB

- Compact 2-inch size fits standard panel cutout
- Six-digit, seven-segment LED clock and USB charger
- Four modes: Local Time, Universal Time, Flight Timer and Stopwatch
- Flight time duration automatically displays when power is applied to the aircraft and can be reset in manual mode
- Clock settings include 12- or 24-hour mode and seconds On or Off
- Multiple lighting schemes allows manual or automatic dimming
- 8-year internal battery maintains time and flight timer memory when not powered by the aircraft
- USB interface provides 2.1 amps per charging port
- Compatible with Apple and other USB devices
- Protects itself and the charging device from short circuit, power surges and over-current potential
- Designed and built in Wichita, Kansas, USA
- One-year limited warranty

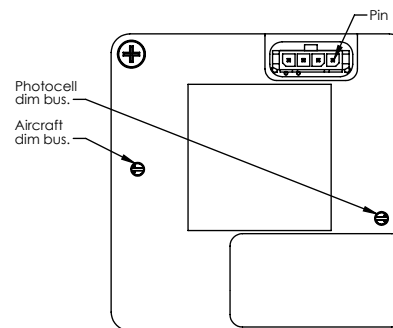
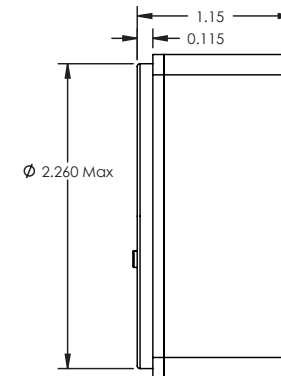
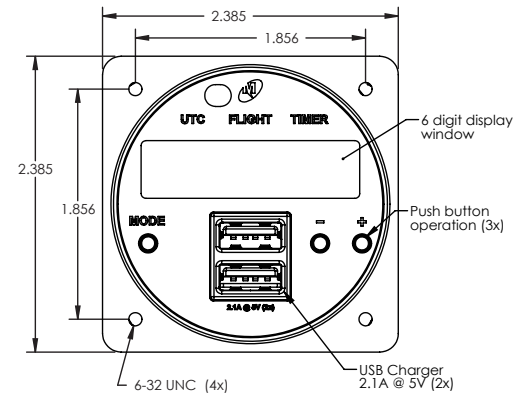
## MD93 Series Digital Clock/USB Charger

Manufactured by Mid-Continent Instruments and Avionics



### SPECIFICATIONS

|                |  |
|----------------|--|
| Power Input    | 10-32 VDC, 27 watts max<br>2.1A @ 14 VDC; 1A @ 28 VDC (clock only) |
| Power Output   | 5.0 ± 0.25 VDC; 2.1A per USB Port                                  |
| Clock Accuracy | ±0.5 seconds in 24 hours   |
| Weight         | 0.3 lbs  |
| Temperature    | -40°C to 70°C (-40°F to 158°F)                                     |
| Altitude       | 55,000 feet  |
| Mounting       | Rear-panel mounted, (4) #6 screws                                  |
| Dimensions     | 2.39 x 2.39 x 1.15 inches max                                      |
| Connector Kit  | MCIA P/N 9018178   |
| USB Interface  | USB Standard-A   |
| Case           | Anodized aluminum black  |



### RELATED PRODUCTS

| TA102 Dual USB Charging Port |             |             |
|------------------------------|-------------|-------------|
| Part Number                  | Power Input | Lighting    |
| 6430102-1                    | Rear        | Non-lighted |
| 6430102-2                    | Bottom      | Non-lighted |
| 6430102-3                    | Rear        | Lighted     |
| 6430102-4                    | Bottom      | Lighted     |