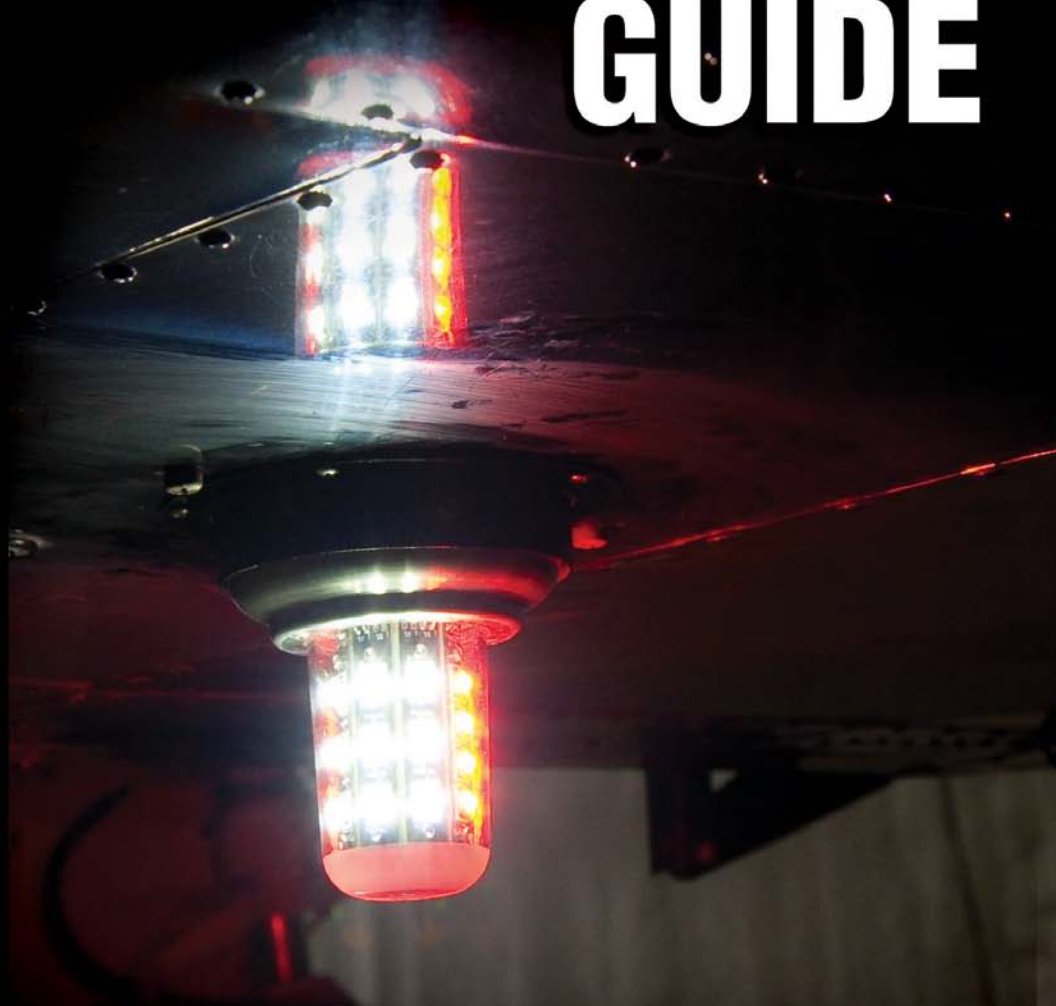


**WHELEN**<sup>®</sup>  
MANUFACTURED IN AMERICA

# LED BEACON REPLACEMENT GUIDE



Distributed by:

**KADEX**

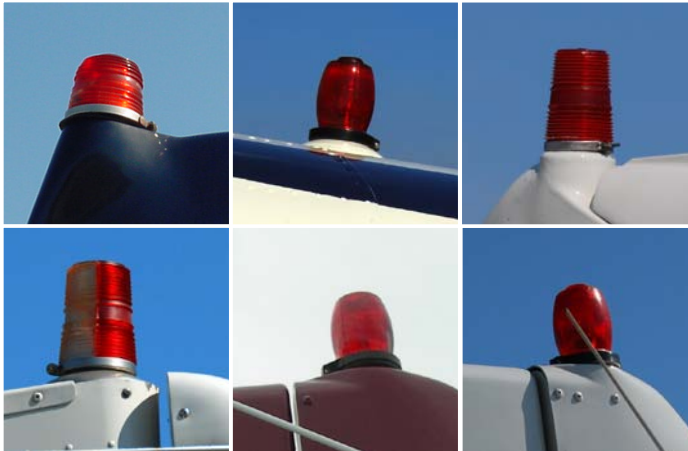
AERO SUPPLY LTD. EST. 1994 

AIRCRAFT PARTS SALES & SERVICE  
[www.KadexAero.com](http://www.KadexAero.com) [PARTS@KADEXAERO.COM](mailto:PARTS@KADEXAERO.COM)



@KADEXAero

Think about your application needs...



Whether your mounting configuration is 2.6" or 3.75", you can make the switch from halogen or strobe to LED!



Model A470AS →

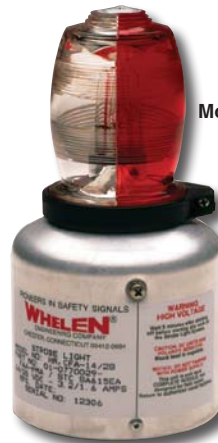
90520 Series



Model A470AR →



71080 Series



Model HRCFA ( ) →

90520 Series



71080 Series

## 71080 Series LED Beacon (Red LEDs)

71080 Series beacons are FAA TSO compliant self-contained LED Anti-collision lights (ref. class 1 - 150 effective candle power). They are designed to replace a range of products. Refer to models and descriptions below. Models -01, -05, -15, -51, -55: ship with 12" flying leads. Models -05, -15 opening designed to fit inside an A440 mounting adapter, mounting holes to fit in place of rotating beacons, Whelen Model HRCFA, or 7090004, -05 series LED beacons.

| Models  | Part #        | Description                                  | Approvals            |
|---------|---------------|--|----------------------|
| 7108001 | 01-0771080-01 | LED Red, 28 VDC, 2.6" mount                  | FAA TSO-C96a Class I |
| 7108051 | 01-0771080-51 | LED Red, 14 VDC, 2.6" mount                  | FAA TSO-C96a Class I |
| 7108005 | 01-0771080-05 | LED Red, 28 VDC, 3.75" adapter               | FAA TSO-C96a Class I |
| 7108055 | 01-0771080-55 | LED Red, 14 VDC, 3.75" adapter, Flying Leads | FAA TSO-C96a Class I |
| 7108015 | 01-0771080-15 | LED Red, 28 VDC, 3.75" adapter, lower mount  | FAA TSO-C96a Class I |

| Drawing # | Weight                       | Dimensions H x Dia.                                   | Current Draw   | Available LED Color | Lenses              |
|-----------|------------------------------|---|--|---------------------|---------------------|
| 71080     | 0.65 lbs (295gm) (-01 & -51) | Exposed height, 3.74" (95mm) (-01 & 51) x 2.6" (66mm) | 0.87 amps average, 3.0 amps peak 150 eff. Cd 14 VDC & 28 VDC | Aviation Red        | Clear polycarbonate |

## 90520 Series LED Flashing Beacon (Red & White LEDs)

90520 Series Beacons are FAA TSO compliant self-contained LED Anti-Collision lights (Ref. Class III - 100 effective candlepower). They are designed to replace strobe lighthoods as small as the A470A with available models to replace HR self-contained beacons (HRCFA) or our legacy 70900 LED beacon. Mounting plate included with assembly. See models below. Models -01, -05, -15, -51, -55: Ship with 12" flying leads. -55: 3-3/4" opening designed to fit inside an A440 mounting adapter, mounting designed to replace existing beacons utilizing a 5-Hole mounting pattern on 4.656 dia. bolt circle (Whelen 70285 Series/7090501 Series or 70900 with A440 adapter). Models -05, -15, 3-3/4" opening designed to fit inside an A440 mounting adapter, mounting holes to fit in place of rotating beacons, Whelen Model HRCFA, or 7090004, -05 Series LED beacons.

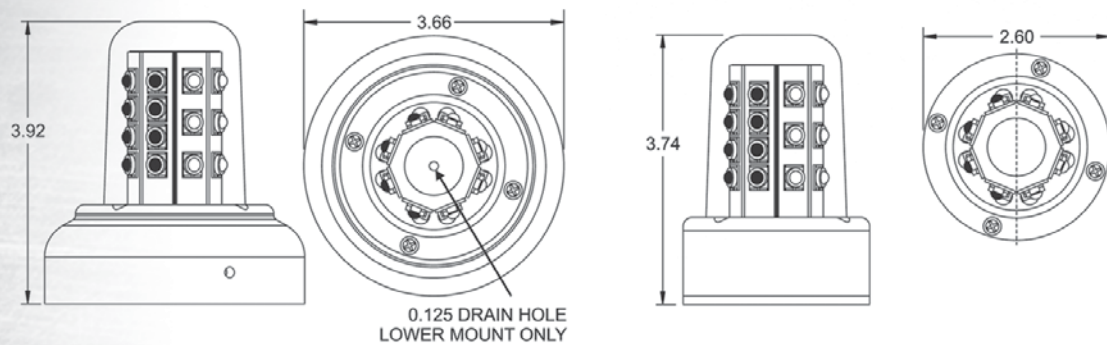
| Models  | Part #        | Description                                       | Approvals              |
|---------|---------------|---|------------------------|
| 9052001 | 01-0790520-01 | LED Red/White, 28 VDC, 2.6" mount                 | FAA TSO-C96a Class III |
| 9052051 | 01-0790520-51 | LED Red/White, 14 VDC, 2.6" mount                 | FAA TSO-C96a Class III |
| 9052005 | 01-0790520-05 | LED Red/White, 28 VDC, 3.75" adapter              | FAA TSO-C96a Class III |
| 9052015 | 01-0790520-15 | LED Red/White, 28 VDC, 3.75" adapter, lower mount | FAA TSO-C96a Class III |
| 9052055 | 01-0790520-55 | LED Red/White, 4VDC, 3.75" adapt, flying leads    | FAA TSO-C96a Class III |

| Drawing # | Weight                        | Dimensions H x Dia.                                   | Current Draw                     | Available LED Color | Lenses              |
|-----------|-------------------------------|---|----------------------------------|---------------------|---------------------|
| 90520     | 0.65 lbs. (295gm) (-01 & -51) | Exposed height, 3.74" (95mm) (-01 & 51) x 2.6" (66mm) | 0.67 amps average, 3.0 amps peak | Aviation Red/White  | Clear polycarbonate |

# Dimensions and Mounting Footprint

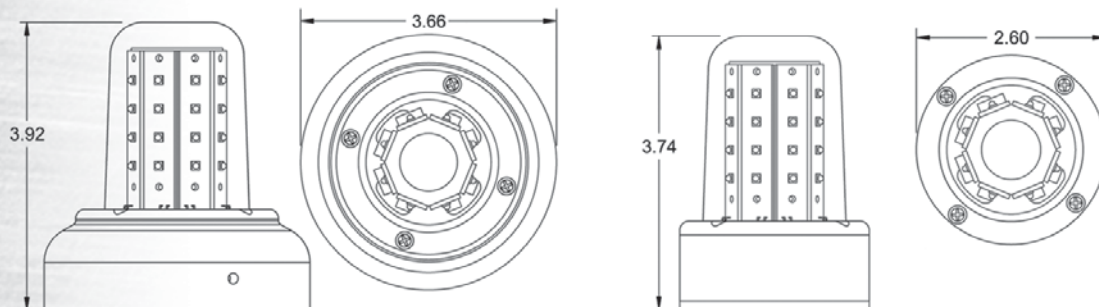
## 90520 Series LED Flashing Beacon (Red & White LEDs)

| Part #        | Description                                       |
|---------------|---|
| 01-0790520-01 | LED Red/White, 28 VDC, 2.6" mount                 |
| 01-0790520-51 | LED Red/White, 14 VDC, 2.6" mount                 |
| 01-0790520-05 | LED Red/White, 28 VDC, 3.75" adapter              |
| 01-0790520-15 | LED Red/White, 28 VDC, 3.75" adapter, lower mount |
| 01-0790520-55 | LED Red/White, 4VDC, 3.75"adapt, flying leads     |



## 71080 Series LED Beacon (Red LEDs)

| Part #        | Description                                  |
|---------------|--|
| 01-0771080-01 | LED Red, 28 VDC, 2.6" mount                  |
| 01-0771080-51 | LED Red, 14 VDC, 2.6" mount                  |
| 01-0771080-05 | LED Red, 28 VDC, 3.75" adapter               |
| 01-0771080-55 | LED Red, 14 VDC, 3.75" adapter, Flying Leads |
| 01-0771080-15 | LED Red, 28 VDC, 3.75" adapter, lower mount  |



# WHELEN®



## 90088 Series Anti-Collision Light

90088 Series is a Self-Contained LED Anti-Collision Beacon. It's solid-state circuitry and LED light source obsolete the "old style" mechanical oscillating beacons as well as the Whelen 90044 Series quartz halogen flashing beacons. Benefits include no moving parts, no EMI/RFI, no inrush current spikes and crisp on/off cycles. There are several models available to provide compatibility with existing mounting patterns and profiles, thus eliminating the need to alter the aircraft.

| Models  | Part #        | Description   | Approvals              |
|---------|---------------|---|------------------------|
| 9008811 | 01-0790088-11 | Lower, 5-Hole, standard assembly, cable pigtail, 28 VDC       | FAA TSO-C96a Class I   |
| 9008812 | 01-0790088-12 | Upper, 5-Hole, standard assembly, cable pigtail, 28 VDC       | FAA TSO-C96a Class III |
| 9008813 | 01-0790088-13 | Upper, 5-Hole, 2.25 lbs. rudder mount (Citations), 28 VDC     | FAA TSO-C96a Class III |
| 9008814 | 01-0790088-14 | Upper, 5-Hole, 2.25 lbs. cable pigtail (Beech Barons), 28 VDC | FAA TSO-C96a Class III |
| 9008815 | 01-0790088-15 | Lower, 5-Hole, (MS27508E10A-5P connector), 28 VDC             | FAA TSO-C96a Class III |
| 9008816 | 01-0790088-16 | Upper, 5-Hole, (MS27508E10A-5P connector), 28 VDC             | FAA TSO-C96a Class III |
| 9008817 | 01-0790088-17 | Lower, 5-Hole, 2 drain holes (Hawker 800), 28 VDC             | FAA TSO-C96a Class III |
| 9008818 | 01-0790088-18 | Upper, 8-Hole, 1.9 lbs., cable pigtail, 28 VDC                | FAA TSO-C96a Class III |
| 9008819 | 01-0790088-19 | Lower, 8-Hole, 1.9 lbs., cable pigtail, 28 VDC                | FAA TSO-C96a Class III |

Replaces: Whelen: 90044 Series & Grimes: G9950-( ), 40-0100-( ), 30-2140-( ), 40-0117-( ), 40-0127-( ), 302647-( )

| Drawing # | Weight              | Dimensions H x Dia.   | Current Draw          | Available LED Color | Lenses         |
|-----------|---------------------|---|-----------------------|---------------------|----------------|
| 90088     | 1.8 lbs.<br>(816gm) | 11 thru -16: 2.70" (68.5mm) x 2.38" (60.45mm) x 9.87" (250.69mm) -18 & -19: 2.84" (72.13mm) x 3.87" (98.92mm) x 11.43" (290.32mm) | 0.45 amps<br>@ 28 VDC | Aviation<br>Red     | Clear<br>glass |

## Cross Reference 90044 to 90088

| 90088 Part #  | Description   | 90044 Part #  |
|---------------|---|---------------|
| 01-0790088-03 | Ground recognition for Citation X (lower 5-Hole mount) Cessna exclusive part          | 01-0790044-39 |
| 01-0790088-04 | Ground recognition for Citation X (upper 5-Hole mount) Cessna exclusive part          | 01-0790044-37 |
| 01-0790088-06 | Ground recognition for Sovereign upper 5-Hole mount) Cessna exclusive part            | -             |
| 01-0790088-11 | Anti-collision light (lower 5-Hole mount) cable pigtail                               | 01-0790044-03 |
| 01-0790088-12 | Anti-collision light (upper 5-Hole mount) cable pigtail                               | 01-0790044-01 |
| 01-0790088-13 | Anti-collision light (Citation 5-Hole rudder mount, 2.25 lbs.) with connector         | 01-0790044-33 |
| 01-0790088-14 | Anti-collision light (5-Hole rudder mount, Barons, 2.25 lbs.) cable pigtail           | 01-0790044-57 |
| 01-0790088-15 | Anti-collision light (lower 5-Hole mount) with MS27508E10A-5P connector               | 01-0790044-39 |
| 01-0790088-16 | Anti-collision light (upper 5-Hole mount) with MS27508E10A-5P connector               | 01-0790044-37 |
| 01-0790088-17 | Anti-collision light (lower 5-Hole mount) cable pigtail, 2 lens drain holes (Hawkers) | 01-0790044-54 |
| 01-0790088-18 | Anti-collision light (upper 8-Hole mount) cable pigtail                               | 01-0790044-17 |
| 01-0790088-19 | Anti-collision light (lower 8-Hole mount) cable pigtail                               | 01-0790044-19 |

©2015 Whelen Engineering Company, Inc. Printed in U.S.A. 12885B - 06/15

Distributed by:



AERO SUPPLY LTD. EST. 1994

AIRCRAFT PARTS SALES & SERVICE  
www.KadexAero.com PARTS@KADEXAERO.COM



@KADEXAero