

WAT[®]

AIRPORT VEHICLE LIGHTING

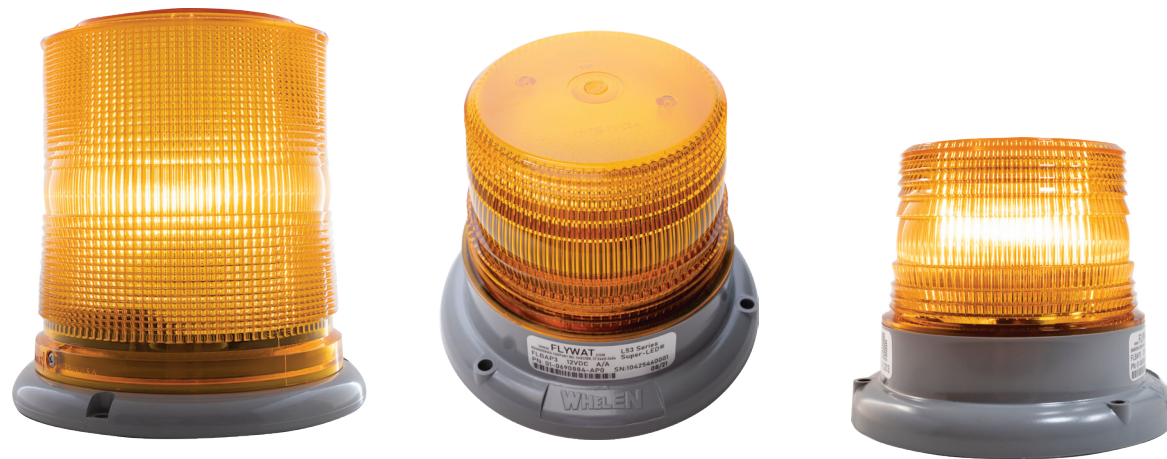
TOP PRODUCTS | REV IR



LED LIGHTING • ACCESSORIES

- **Super-LED™** beacon
- Twist-off polycarbonate dome
- Available in permanent mount with polycarbonate base
- SAE Class 1, 2, or 3 certified
- Full reverse polarity protection
- 100% solid state electronics
- Conformal coated electronics
- 100% solid state electronics

- Hard-coated domes minimize environmental damage from sand, sun, salt, and road chemicals
- Rated for thousands of hours of use
- Virtually no RFI/EMI Radiation
- 5 Year Warranty
- High or low dome models
- 75 **SignalAlert™** flashes per minute



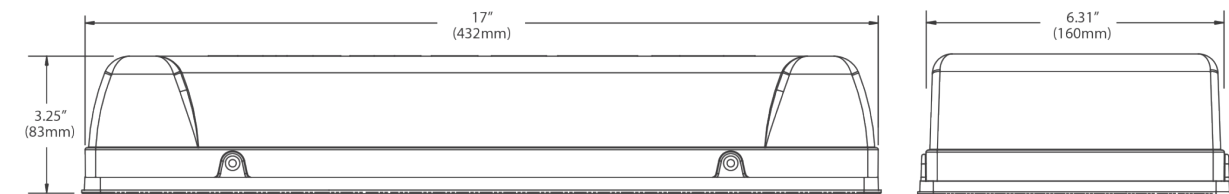
NOTE: THE USE OF A MAGNETIC OR SUCTION MOUNTED BEACON ON THE ROOF OF A VEHICLE IN MOTION IS NOT RECOMMENDED, AND IS AT THE SOLE DISCRETION AND RISK OF THE USER.

MODEL	PART #	DESCRIPTION	DIMENSIONS
FLBAP1	01-0690882100	Amber: 12VDC: 1.5 Amps (Peak) 0.6 Amps Avg.	H: 3.75" (95mm) W: 5" (127mm)
FLBAM1	01-069088210M	Amber: 12VDC: 1.5 Amps (Peak) 0.6 Amps Avg.	H: 3.75" (95mm) W: 5" (127mm)
FLBAP2	01-0690883-00	Amber: 12VDC: 1 Amp (Peak) 0.4 Amps Avg.	H: 6.8125" (172mm) W: 5.5" (140mm)
FLBAP3	01-0690884-AP	Amber: 12VDC: 1.5 Amps (Peak) 0.6 Amps Avg.	H: 3.75" (95mm) W: 5" (127mm)

The **Advisory** mini lightbar features dual-level **Super-LED™** modules, providing 360° of warning coverage.

- 6 **Super-LED™** modules
- **FLAVA** Series features Conical modules
- Available in magnetic, or permanent mount with a polycarbonate or aluminum base
- SAE Class 1 certified
- Hard-coated domes minimize environmental damage from sand, sun, salt, and road chemicals

- 46 **Scan-Lock™** flash patterns, including 4 simulated rotating patterns
- **ActionScan™** is the default flash pattern on all mount versions
- Magnetic and magnetic/suction mount models include 10' straight cord with dual switch cigar plug with pattern selection
- 5 Year Warranty
- Permanent mount models include 6" pigtail



MODEL	PART #	DESCRIPTION	DIMENSIONS
FLAVA	01-0690885-00	Mount: Permanent 12VDC: 3.0 Amps (Peak) 1.2 Amps Avg.	H: 1.875" (48mm) W: 3.25" (83mm) L: 17" (432mm)
FLAVAM	01-0690885-01	Mount: Magnetic 12VDC: 3.0 Amps (Peak) 1.2 Amps Avg.	H: 1.875" (48mm) W: 3.25" (83mm) L: 17" (432mm)

PAR-36 **Super-LED™** work lights are rated to last 50,000 hours and provide remarkably bright light. Available in either spot or flood beam patterns.

- **Super-LED™** work lights
- Rubber stud/swivel housing
- Available with or without light head
- Hard-coated lenses



A.



B.

	MODEL	PART #	DESCRIPTION	DIMENSIONS
A.	FL36HB	01-0672094-30	PAR-36 Housing with Super-LED™ Bulb	H: 4.5" (111mm) W: 2" (51mm)
B.	FLPAR36	01-0690880-30	Replacement Super-LED™ Bulb 12VDC: 0.85 Amps (Peak) 0.325 Amps Avg.	H: 4.5" (111mm) W: 2" (51mm)



BRAKE / TURN / TAIL



WWW.FLYWAT.COM

GROUND EFFECT

WWW.FLYWAT.COM



- TIR6™ Super-LED™ with synchronize feature
- Synchronize to other Whelen sync products
- Supplied with adapter for PAR-36 (4.5") applications
- Hard-coated lenses
- Fully encapsulated
- Flat Lens



MODEL	PART #	DESCRIPTION	DIMENSIONS
2FA00ZAR	01-0663669-A4	Amber: 12VDC: 0.8 Amps (Peak) 0.32 Amps Avg.	H: 4.21" (107mm) W: 1.28" (33mm)
2FR00ZRR	01-0663669-R4	Red: 12VDC: 0.8 Amps (Peak) 0.32 Amps Avg.	H: 4.21" (107mm) W: 1.28" (33mm)
2GA00FAR	01-0664265-A1	Amber: 12VDC: 0.8 Amps (Peak) 0.32 Amps Avg.	H: 4.21" (107mm) W: 1.28" (33mm)
2GR00FRR	01-0664265-R1	Red: 12VDC: 0.8 Amps (Peak) 0.32 Amps Avg.	H: 4.21" (107mm) W: 1.28" (33mm)
20C0CDCR	01-0264954-36	White: 12VDC: 0.8 Amps (Peak) 0.32 Amps Avg.	H: 4.21" (107mm) W: 1.28" (33mm)
20R00XRR	01-0683784BRO	Red: 12VDC: 0.8 Amps (Peak) 0.32 Amps Avg.	H: 4.21" (107mm) W: 1.28" (33mm)
2GROMMET	11-416446-000	HOUSING RUBBER	--
2GBKT1	01-046B347-00	KIT, 2GL MOUNT BRACKET	--

- Optic lens changes easily via removable lens retainer
- Injection molded polycarbonate lenses are impact resistant and hard-coated
- Die-cast aluminum powder-coated housing in gray
- LEDs are instant on/off, eliminating ramp up time and high current rush
- Includes 72" cable
- Powder-coated bail bracket with 0.375" stud carriage bolt mount



MODEL	PART #	DESCRIPTION	DIMENSIONS
FLGNDE	01-0651191-00	Mount: Bail / Stud 12VDC: 1.0 Amps (Peak) Lumens: 1566	H: 2.24" (57mm) W: 2" (51mm) L: 3.5" (89mm)



SUPER LED™ SIGNAL LIGHTS

LED WORK LIGHT

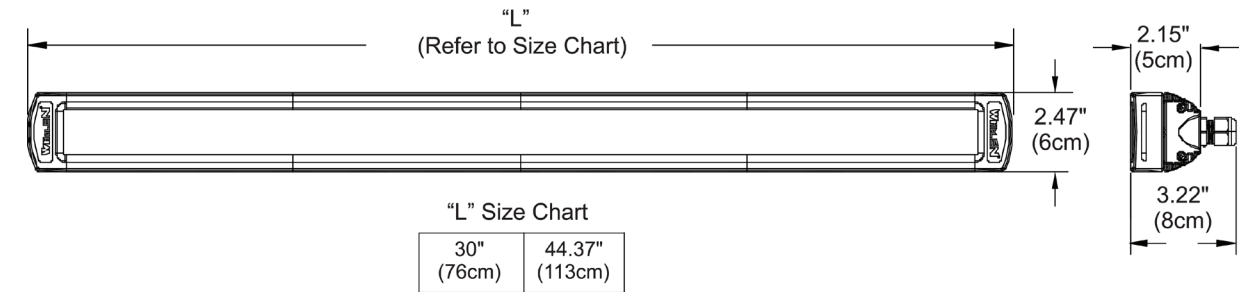
- Injection molded polycarbonate lenses are impact resistant and hard-coated
- Die-cast aluminum powder-coated housing in gray
- LEDs are instant On/Off, eliminating ramp up time and high current inrush
- Includes 72" cable



MODEL	PART #	DESCRIPTION	DIMENSIONS
FLR12	01-0690887-13	Mount: Bail / Stud 12VDC: 3.5 Amps (Peak) 24VDC: 1.75 Amps (Peak) Lumens: 5695	H: 4.76" (121mm) W: 2.8" (71mm) L: 4.65" (118mm)



- SAE 578 Color Temperature Certified
- Preconfigured spot, flood, or scene optics
- Available with White illumination
- Individual control of each set of optics
- Increase clarity with Whelen's all-new, patent pending **Proclera Silicone Optics**
- Hard-coated lenses minimize environmental damage from sand, sun, salt, and road chemicals
- Extruded and die-cast aluminum powder coated housing available in gray
- Screw less lens retainer design provides a clean finish and the improved ability to adjust optic configuration
- 100% solid-state electronics
- Rated IP67 for dust and water resistance
- Rear mounting track for flexible mounting configurations
- Bail bracket mount standard
- Includes 30" cable, connector, and heat shrink tubing. Some assembly required
- Dual voltage (10-30 VDC input)
- 5 year warranty



MODEL	PART #	DESCRIPTION	DIMENSIONS
FLAPX30	01-0690889-00 30" Lightbar	12VDC: 7.2 Amps (Peak)	H: 2.47" (6mm) W: 3.22" (8mm) L: 30" (76mm)
FLAPX44	01-0690889-01 44" Lightbar	12VDC: 10.8 Amps (Peak)	H: 2.47" (6mm) W: 3.22" (8mm) L: 44.37" (113mm)
SUBKT1B	01-0447823-10 Mounting Bracket	Black: Universal "L" Mounting Brackets for 9" to 44" Models	--
SUBKT2B	01-0419234-01 Mounting Bracket	Black: Universal "L" Mounting Brackets 58" to 86" Models	--

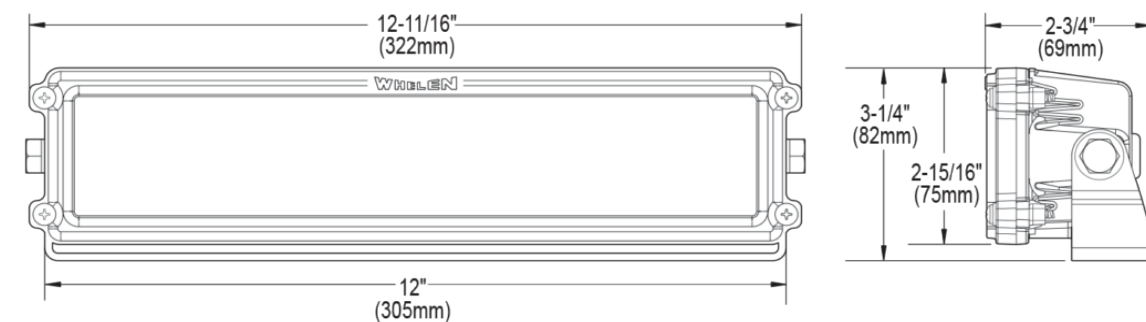


TARMAC

WWW.FLYWAT.COM



- Available in single or dual modes
- Optic lens changes easily via removable lens retainer
- Injection molded polycarbonate lenses are impact resistant and hard-coated
- Die-cast aluminum powder-coated housing in gray
- 100% solid-state electronics
- LEDs are instant On/Off, eliminating ramp up time and high current inrush
- Includes 72" cable
- Powder-coated bail bracket

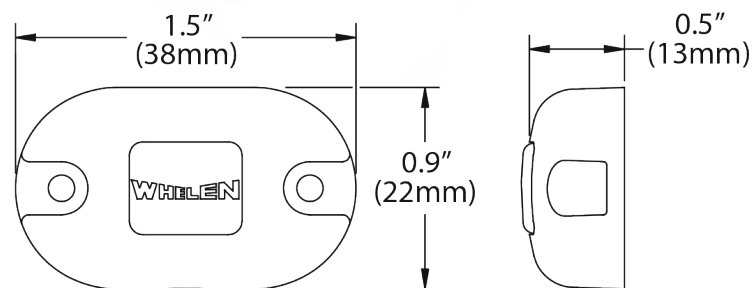


MODEL	PART #	DESCRIPTION	DIMENSIONS
FLTM	01-0690888-12	12VDC: 1.5 Amps (Peak) Lumens: 10206	H: 3.25" (82mm) W: 2.75" (69mm) L: 12.69" (322mm)

LED WORK LIGHT

- **Super-LED™** Illumination light available with standard or 45° angled housing for surface or step lighting
- Surface mount

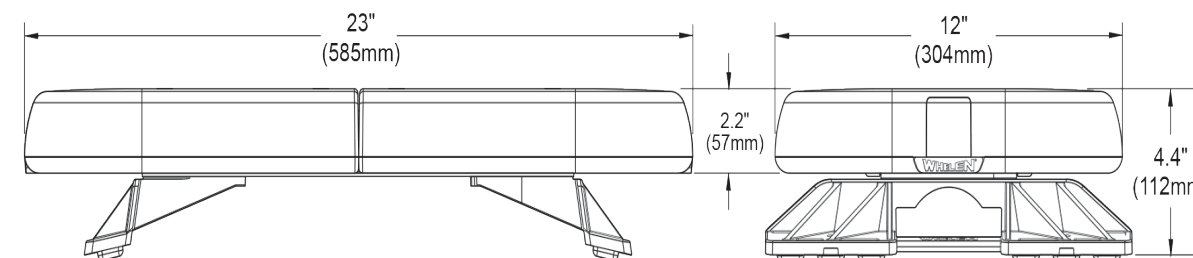
- Fully encapsulated for moisture, vibration, and corrosion resistance



MODEL	PART #	DESCRIPTION	DIMENSIONS
FLNLW	01-0672093132	12VDC: 1 Amp (Peak) • 12.8W Lumens: 1100	H: 1.875" (48mm) W: 1.75" (44mm) L: 3.5" (89mm)

- Meets SAE Class 1 and California Title XIII
- Extruded aluminum platform and gray polycarbonate base for long life reliability

- Polycarbonate hard-coated lens
- Low profile design reduces air drag



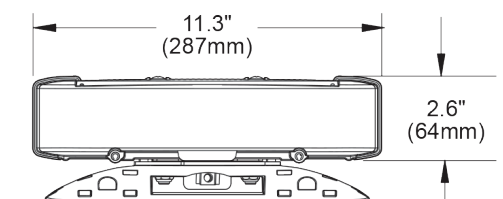
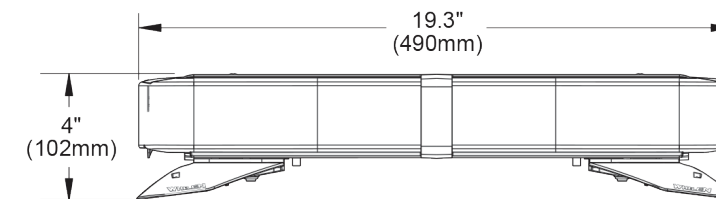
MODEL	PART #	DESCRIPTION	DIMENSIONS
FLJILB	01-0690895-00	12VDC: 1 Amp (Peak)	H: 4.4" (112mm) W: 12" (304mm) L: 23" (585mm)

JR EXECUTIVE

WWW.FLYWAT.COM



- 4 single color corner modules available in Amber
- Hard-coated lenses minimize environmental damage from sand, sun, salt, and road chemicals
- Available in permanent mount
- Permanent mount includes 15' cable
- 58 **Scan-Lock™** flash patterns
- Extruded aluminum platform for long life dependability
- Inboard single color **Super-LED™** warning modules optional
- SAE Class 1 Certified
- 5 year warranty



MODEL	PART #	DESCRIPTION	DIMENSIONS
FLJXLB	01-0690893-00	12VDC: 1 Amp (Peak)	H: 2.6" (64mm) W: 11.31" (287mm) L: 19.3" (490mm)

JUNIOR LIGHTBARS

VECTOR LIGHTS

CAUTIONARY LIGHTS

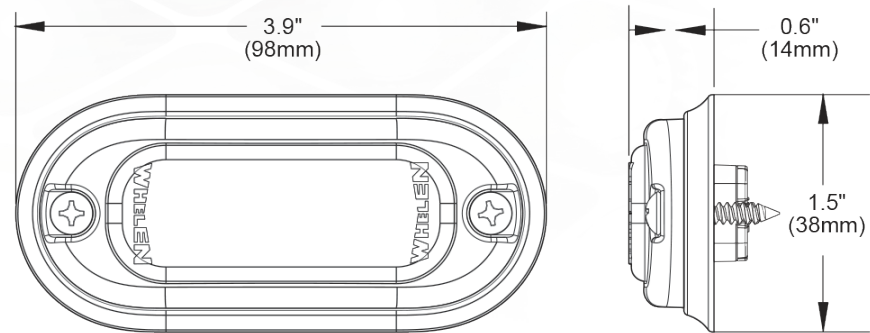
- Super-LED™ linear optics technology
- Available in Amber or White
- Hard-coated lenses
- Synchronize to other Whelen sync products
- Easily surface mounts with two screws
- Includes gray flange and a 4 wire 6" pigtail



A.



B.



	MODEL	PART #	DESCRIPTION	DIMENSIONS
A.	FLVA	01-0672092-10	Amber: 12VDC: 0.4 Amps (Peak) 0.16 Amps Avg.	H: 1.5" (38mm) W: 0.5" (13mm) L: 5.2" (131mm)
B.	FLVW	01-0672092-30	White: 12VDC: 0.4 Amps (Peak) 0.16 Amps Avg.	H: 1.5" (38mm) W: 0.5" (13mm) L: 5.2" (131mm)

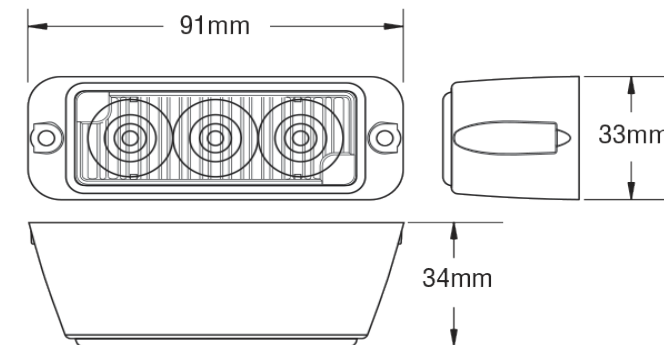
- Hard-coated lenses
- ActionScan™ is the default flash pattern on all mount version
- Color outer domes standard on single color models



A.



B.



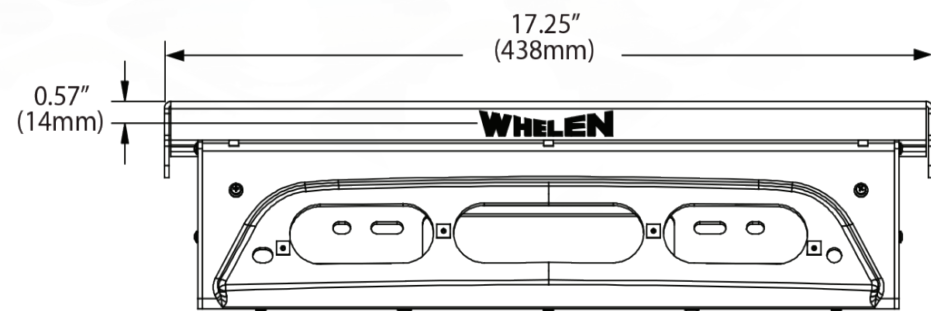
	MODEL	PART #	DESCRIPTION	DIMENSIONS
A.	FLCAMB	01-0672091100	Amber: 12VDC: 0.4 Amps (Peak) 0.16 Amps Avg. (Including steady-burn)	H: 2.25" (57mm) W: 1.625" (34mm) L: 7.875" (91mm)
B.	FLCWHT	01-0672091300	White: 12VDC: 0.4 Amps (Peak) 0.16 Amps Avg. (Including steady-burn)	H: 2.25" (57mm) W: 1.625" (34mm) L: 7.875" (91mm)

LED VECTOR AMBER / WHITE

CAUTIONARY AMBER / WHITE

- Mounts a variety of emergency lighting without any vehicle damage, including WAT beacons and the following mini lightbars: Advisory and Junior Executive, vacuum formed install kits provide a perfect fit
- Available with a durable steel or powdercoated aluminum construction in gray
- Bolt-on installation system with fixed brackets requires no cutting or drilling, providing peace of mind when used on both leased trucks and aluminum roof structures

- Quickly and easily mounts using the screw holes of the vehicle's third brake light
- The third brake light remounts to the Truck Fit platform
- Wiring is simple to install through the existing third brake light opening, without removing the headliner
- Truck Fit is designed to keep a level mounting surface for the life of the install
- 2 year warranty



MODEL	PART #	DIMENSIONS
FLTFF1	01-0690890-00	H: 1.875" (48mm) • W: 1.75" (44mm) • L: 3.5" (89mm)
FLTFR1	01-0690890-02	H: 1.875" (48mm) • W: 1.75" (44mm) • L: 3.5" (89mm)
FLTFG1	01-0690890-01	H: 1.875" (48mm) • W: 1.75" (44mm) • L: 3.5" (89mm)

A.



- Glass filled nylon housing
- Encapsulated solid-state electronics
- Steam cleanable; pressure washable
- Mount horizontally or vertically

B.



- Optional universal adjustable license plate bracket for 2 Vector series lighthead vertical mount

C.



- Optional universal adjustable license plate bracket for 2 Vector series lighthead horizontal mount

D.



- Flying leads connection Includes an adjustable 2 position universal bail bracket strap mounting kit for over or under dash mounting single color models
- Housing and bracket powder coated gray
- Designed for durability and simplistic use

E.



- Terminal block for easy installation
- One 10 amp momentary switch in the last position in place of the standard On/Off switch
- Includes an adjustable 2 position universal bail bracket strap mounting kit for over or under dash mounting

	MODEL	PART #	DESCRIPTION
A.	WBUA112C	--	BACK UP ALARM
B.	FLCBK1	01-0431561-00	LICENSE PLATE MOUNT VERTICAL
C.	FLCBK2	01-0451192-00	LICENSE PLATE MOUNT HORIZONTAL
D.	FLSWI4	01-0690891-00	CONTROL SWITCH
E.	FLSWI6	01-0690892-00	CONTROL SWITCH



AIRPORT VEHICLE LIGHTING

WWW.KADEXAERO.COM

KADEX AERO SUPPLY
CALGARY, AB • PETERBOROUGH, ON

☎ 1-888-523-3988 ✉ PARTS@KADEXAERO.COM