

TRUE BLUE POWER®

A division of Mid-Continent Instrument Co., Inc.

Emergency Battery Power Supply TS60 Series



Manufactured by Mid-Continent Instrument Co., Inc.



TS60

The TS60 Series Emergency Battery Power Supply features advanced Nanophosphate® lithium-ion cell chemistry that offers distinct advantages over older, nickel-cadmium designs. This includes significantly reduced maintenance costs, drastically improved life expectancy, low state of charge indication and an on-unit visual status indicator.

This battery power supply automatically provides a constant 6.6 VDC power for emergency lighting systems in the event of electrical system failure.

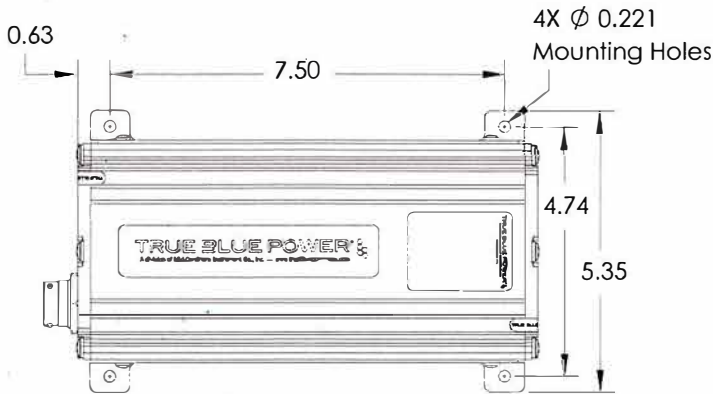
Product features

CAPACITY	TS60-1 / TS60-2	32 Watt hour
	TS60-3 / TS60-4	48 Watt hour
WEIGHT	TS60-1 / TS60-2	3.8 lbs
	TS60-3 / TS60-4	4.0 lbs
TECHNOLOGY	Advanced Nanophosphate® lithium-ion cell chemistry	
INPUT VOLTAGE	24 – 32 VDC nominal	
OUTPUT POWER	6.6 VDC nominal, 7 amps max	
MAINTENANCE SCHEDULE	2 years	
BATTERY LIFE EXPECTANCY	6 – 8 years	
DIRECT REPLACEMENT	TS60-1	Grimes/Honeywell 60-3844-()
	TS60-2	Grimes/Honeywell 60-5025-()
	TS60-3	Grimes/Honeywell 60-3844-()
	TS60-4	Grimes/Honeywell 60-5025-()
RECHARGING	Maintains full charge by recharging during normal flight operations	
DESIGNED AND MANUFACTURED	Wichita, Kansas, USA	
WARRANTY	Two-year limited	
Approved Aircraft:	Dhc-8-100, Dhc-8-200, Dhc-8-300, Dhc-8-Q400	

Emergency Battery Power Supply

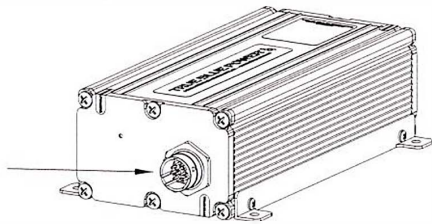
TS60 Series

Manufactured by Mid-Continent Instrument Co., Inc.



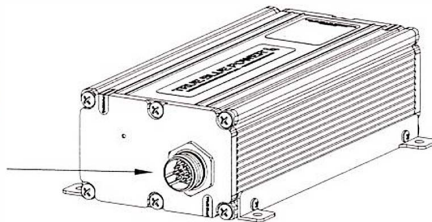
TS60-1
TS60-3

Connector per
M83723/74W1212N



TS60-2
TS60-4

Connector per
M83723/85W1212N



Technical specifications

CAPACITY	TS60-1/TS60-2 32 Watt hour TS60-3/TS60-4 48 Watt hour
INPUT VOLTAGE	24 – 32 VDC nominal
OUTPUT POWER	6.6 VDC nominal, 7 amps max
WEIGHT	TS60-1/TS60-2 3.8 lbs TS60-3/TS60-4 4.0 lbs
TECHNOLOGY	Advanced Nanophosphate® lithium-ion cell chemistry
DIMENSIONS	2.60" H x 8.75" L x 5.35" W
BATTERY LIFE EXPECTANCY	6 – 8 years
PROTECTION	Overcharge, over-discharge, over-current, short circuit, and temperature monitoring
MATING CONNECTOR	TS60-1 M83723/74W1212N TS60-2 M83723/85W1212N TS60-3 M83723/74W1212N TS60-4 M83723/85W1212N
CASE	Anodized aluminum, extrusion, blue
CERTIFICATION	Certification: FAA TSO C-179b TCA STC FAA (Pending) EASA (Pending)

Product comparison

Part Number	Battery Technology	Voltage Output	Capacity (1C rate)	Weight	Battery Life Expectancy
6430060-1 (TS60-1)	Lithium-ion	6.6 VDC	32 Watt hours	3.8 lbs	6 years
6430060-3 (TS60-3)	Lithium-ion	6.6 VDC	48 Watt hours	4.0 lbs	8 years
60-3844-1	Nickel-cadmium	6.4 VDC	20 Watt hours	3.6 lbs	4 – 5 years
6430060-2 (TS60-2)	Lithium-ion	6.6 VDC	32 Watt hours	3.8 lbs	6 years
6430060-4 (TS60-4)	Lithium-ion	6.6 VDC	48 Watt hours	4.0 lbs	8 years
60-5250-1	Nickel-cadmium	5.2 – 7.5 VDC	20 Watt hours	4.3 lbs	4 – 5 years