

### Flight Control Cables and Chains

McFarlane stocks complete kits containing all cables and chains for your aircraft, see pages 88.

- Improved terminal to increase strength
- Offset chain link eliminates binding
- Longer service life
- FAA-PMA approved



Save over \$5000 per aircraft when purchasing a complete cable and chain kit!

#### Complete Aircraft Kits

Serial Number	P/N with autopilot	P/N without autopilot
20800001 thru 20800081	CCKT208-03	CCKT208-01
20800082 thru 20800499	CCKT208-04	CCKT208-02
20800500 thru 20899999	CCKT208-05	CCKT208-02
208B0001 thru 208B1999	CCKT208B-02	CCKT208B-01
208B2000 thru 208B9999	CCKT208B-03	CCKT208B-01



McFarlane is the world's largest manufacturer of FAA-PMA replacement flight control cables!

208 S/N 20800001 thru 20899999		
Qty	P/N	Location
1	MC2660001-100	Elevator
1	MC2660001-101	Elevator
1	MC2660001-102	Elevator
1	MC2660001-103	Elevator
1	MC2660001-104	Rudder
1	MC2660001-106	Rudder
1	MC2660001-107	Rudder
1	MC2660001-108	Rudder
1	MC2660001-109	Elevator Trim
1	MC2660001-110	Elevator Trim
1	MC2660001-112	Elevator Trim
2	MC2660001-114	Aileron
1	MC2660001-118	Aileron LH
1	MC2660001-119	Aileron RH
4	MC2660001-122	Aileron
1	MC2660001-123	Control Column Interconnect
1	MC2660001-124	Control Column Interconnect
1	MC2660001-125	Control Column Interconnect
1	MC2660001-126	Control Column Interconnect
1	MC2660001-155	Elevator Trim
1	MC2660001-156	Elevator Trim
2	MC2660001-157	Aileron
1	MC2660029-13 Note 1	Aileron Trim
1	MC2660029-15 Note 1	Aileron Trim
2	MC2660029-4	Aileron Trim
1	MC9864054-9	Flap Indicator
1	MCS2295-25-101	Chain Elevator Trim Note 2
1	MCS2295-25-107 Note 3	Chain Pitch Trim Servo Note 4
1	MCS2295-25-247	Chain Elevator Trim
1	MCS2295-25-35	Chain Aileron Trim
1	MCS2295-25-43 Note 1	Chain Aileron Trim
2	MCS2295-25-87	Chain Elevator Trim
24	MCS2294-25	Chain Connecting Link

208B S/N 208B0001 thru 208B9999		
Qty	P/N	Location
1	MC2660001-100	Elevator
1	MC2660001-102	Elevator
1	MC2660001-104 Note 1	Rudder
2	MC2660001-105	Flaps
1	MC2660001-107	Rudder
1	MC2660001-109	Elevator Trim
1	MC2660001-110	Elevator Trim
1	MC2660001-112	Elevator Trim
2	MC2660001-114	Aileron
4	MC2660001-122	Aileron
1	MC2660001-123	Control Column Interconnect
1	MC2660001-124	Control Column Interconnect
1	MC2660001-125	Control Column Interconnect
1	MC2660001-126	Control Column Interconnect
1	MC2660001-147	Elevator
1	MC2660001-148	Rudder
1	MC2660001-149	Elevator Trim
1	MC2660001-150	Elevator Trim
1	MC2660001-151	Aileron
1	MC2660001-152	Aileron
1	MC2660001-153	Elevator
1	MC2660001-154	Rudder
2	MC2660001-157	Aileron
2	MC2660029-11	Aileron Trim
1	MC2660029-13	Aileron Trim
1	MC2660029-15	Aileron Trim
1	MC9864054-7	Flap Indicator
1	MCS2295-25-101	Chain Elevator Trim Note 2
1	MCS2295-25-107 Note 3	Chain Pitch Trim Servo Note 4
1	MCS2295-25-247	Chain Elevator Trim
1	MCS2295-25-35	Chain Aileron Trim
1	MCS2295-25-43	Chain Aileron Trim
2	MCS2295-25-87	Chain Elevator Trim
24	MCS2294-25	Chain Connecting Link

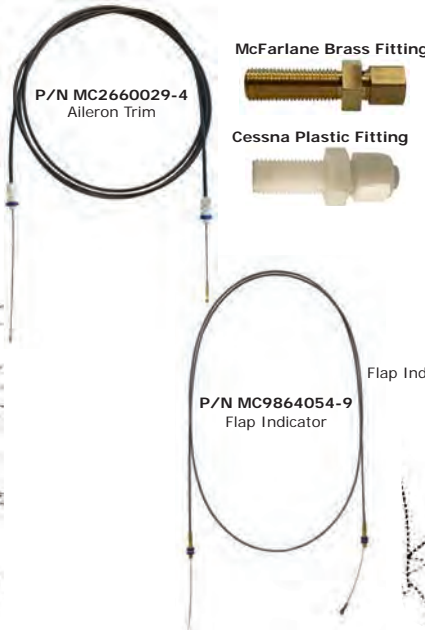
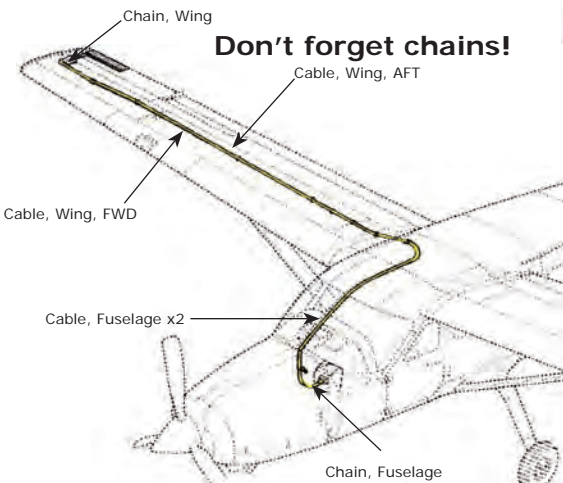
Note 1: S/N 20800082 thru 20899999  
 Note 2: When equipped with electric trim  
 Note 3: S/N 20800500 thru 20899999  
 Note 4: When equipped with pitch trim servo

Note 1: S/N 208B0001 thru 208B2012, 208B2036 and 208B2048 thru 208B9999  
 Note 2: When equipped with electric trim  
 Note 3: S/N 208B2000 thru 208B9999  
 Note 4: When equipped with pitch trim servo

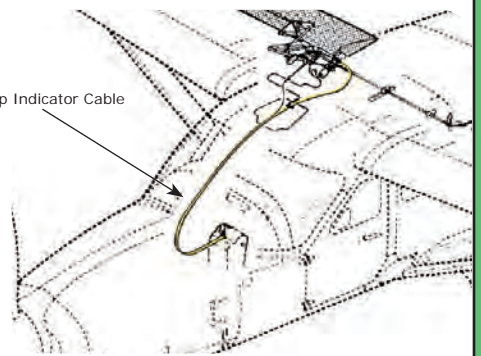
### Aileron Trim and Flap Indicator Cables for Cessna Caravan

Better than the original for less!

- 60% more adjustability for longer service life
- Save over 40% just in purchase cost
- Metal fittings instead of cheap plastic



McFarlane's brass terminal has a superior swage compared to the original plastic terminal.



Model	Serial Number	Aileron Trim					Cable, Flap Indicator
		Cable, Wing, Fwd	Cable, Wing, Aft	Cable, Fuselage (2 per aircraft)	Chain, Wing	Chain, Fuselage	
208	20800001 thru 20800081	MC2660029-15	MC2660029-13	MC2660029-4	MCS2295-25-35	MCS2295-25-35	MC9864054-9
208	20800082 thru 20800499	MC2660029-15	MC2660029-13	MC2660029-4	MCS2295-25-43	MCS2295-25-35	MC9864054-9
208	20800500 thru 20899999	MC2660029-15	MC2660029-13	MC2660029-4	MCS2295-25-43	MCS2295-25-35	MC9864054-9
208B	208B0001 thru 208B1999	MC2660029-15	MC2660029-13	MC2660029-11	MCS2295-25-43	MCS2295-25-35	MC9864054-7
208B	208B2000 thru 208B2012	MC2660029-15	MC2660029-13	MC2660029-11	MCS2295-25-43	MCS2295-25-35	MC9864054-7
208B	208B2036 Only	MC2660029-15	MC2660029-13	MC2660029-11	MCS2295-25-43	MCS2295-25-35	MC9864054-7
208B	208B2048 thru 208B9999	MC2660029-15	MC2660029-13	MC2660029-11	MCS2295-25-43	MCS2295-25-35	MC9864054-7

### Adjustable Elevator Neutral Rigging Tool

Save time, you'll always have the correct tool!  
P/N TOOL126

Proper elevator rigging is necessary for full range of motion and maneuverability of the airplane. Many Cessna maintenance manuals require the fabrication of a tool to hold the yoke in the neutral position while the mechanic rigs the elevator control system. These tools utilize the holes for the control gust lock. At least 17 different sizes of rigging tools are required to cover the various Cessna aircraft. Now there is one tool to replace them all!

The McFarlane Elevator Neutral Rigging Tool is adjustable from 0.4" to 2.5" and universal in design, consisting of six different pin sizes to fit your application. This tool may also be used to properly rig other makes of aircraft with similar elevator neutral rigging requirements.

Replaces Cessna P/N NEUTRAL RIGGING TOOL

- Replaces 17 costly tools
- Quick setup and adjustment
- Stainless steel components
- Simple to use instructions
- Includes compact storage box
- Replacement parts available separately

Elevator Neutral Rigging Tool Replacement Parts	
P/N	Description
6409	.050"/1.3mm Hex Wrench
6870	Square Nut
6868-4	Pin, .188, Short
6868-3	Pin, .188, Long
6868-1	Pin, .209, Short
6868-2	Pin, .209, Long
6869-1	Pin, .250, Short
6869-2	Pin, .250, Long



### Rudder and Elevator Hinge Bearing Kits

In stock for immediate shipment! Buy with confidence.

- Convenient kits include bearings and all attaching hardware
- Kits for aircraft equipped with/without hinge modification service kits
- One elevator kit and one rudder kit required per aircraft
- Industry standard hardware



Aircraft	Serial Number	Elevator Kit P/N	Rudder Kit P/N
208	20800001 thru 20800221	EBC-KT-7 <b>1</b>	RBC-KT-9 <b>3</b>
		EBC-KT-8 <b>2</b>	RBC-KT-10 <b>4</b>
208	20800222 thru 20899999	EBC-KT-7	RBC-KT-9
208A	20800007 thru 20800102	EBC-KT-7 <b>1</b>	RBC-KT-9 <b>3</b>
		EBC-KT-8 <b>2</b>	RBC-KT-10 <b>4</b>
208B	208B0001 thru 208B0318	EBC-KT-7 <b>1</b>	RBC-KT-9 <b>3</b>
		EBC-KT-8 <b>2</b>	RBC-KT-10 <b>4</b>
208B	208B0319 thru 208B9999	EBC-KT-7	RBC-KT-9

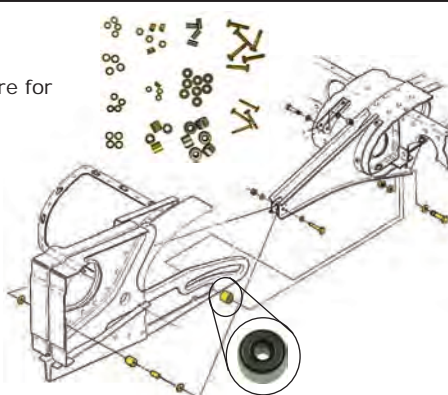
- 1 With SK208-102, SK208-106, & SK208-107 installed.
- 2 Without SK208-102, SK208-106, & SK208-107 installed.
- 3 With SK208-99, SK208-104 and SK208-105 installed.
- 4 Without SK208-99, SK208-104 and SK208-105 installed.

### Flap Roller Kits

Save time!

Contains rollers, bushings, wear washers and hardware for one aircraft.

McFarlane had bushing P/N MS21442-121 specially made to save Caravan operators money!



Save 60%  
MS21442-121  
bearings!

### Pulleys and Pulley Kits

McFarlane stocks all pulleys required for your aircraft

Pulley kits contain all of the pulleys and cotter pins required for one aircraft.

Model	Serial Number	Kit P/N
208	20800001 thru 20800145	PULL-KT-87
	20800146 thru 20899999	PULL-KT-88
208B	All	PULL-KT-89

Save \$\$



### DAM Aircraft Pulley Oil

P/N PULLEY OIL KIT

- Does not dry out and get sticky
- Loosens old stiff pulley grease
- Save the labor of re-oiling the control system every year!



### Fuel and Oil Drain Valves & Adapters

Large selection - Low price - Many new P/Ns!

- Fits many certified and experimental aircraft
- Simple operation - spring load close
- Manufactured by SAF-AIR and Curtis Superior Valves
- FAA-PMA or FAA-TSO-C76



### Flap Tracks

Replace worn-out tracks to prevent dangerous and expensive binding problems!

P/Ns MC2622075-4, MC2622075-5 and MC2622075-6

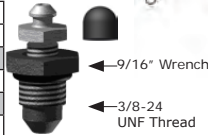
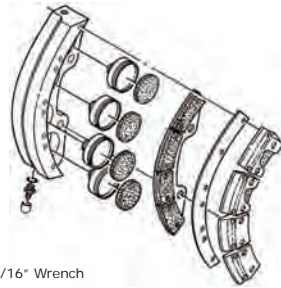
- NDI inspected throughout manufacturing
- Save thousands!
- FAA-PMA

Save \$\$



### Brake Bleeder Valves for Cleveland and McCauley Wheels

- Improved - No more rust, no more rounded wrench flats**
- Heat treated bleeder screw prevents rounded wrench flats
  - Cad plated bleeder seat to prevent galvanic corrosion with the magnesium housing
  - Rubber cap has improved material to prevent cracking
  - FAA-PMA Approved



MCBB-KT-3		
Qty	Part Number	Description
1	MC081-00500	Bleeder Seat
1	MC079-00300	Bleeder Screw
1	MC183-00100	Needle Cap
1	MS28775-011	O-ring

### APS Blacksteel Brakes

- Improve braking performance!**
- One piece forged disc eliminates weld failure
  - Heat treated to reduce corrosion & rust
  - FAA-PMA Approved



### APS Extended Life Brake Lining

- Reduce cost per landing**
- Lining is .035" thicker
  - 35% longer life!
  - FAA-PMA Approved



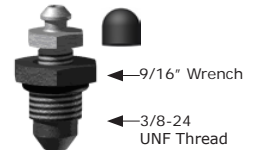
### Aileron Trim Sprocket

- Save! Improved design!**  
P/N MC0761210-1
- Resists roll pin hole wear
  - Stainless steel
  - Roll pins in stock
  - FAA-PMA Approved



### Complete Brake Kit Caravan Brake Kit Components

P/N 208-BRK-KT-1		
Qty	Part Number	Description
2	APS164-22201	Brake Disc
32	APS177-00300	Pin
20	APS66-15300	Brake Lining
2	MC081-00500	Bleeder Seat
2	MC079-00300	Bleeder Screw
2	MC183-00100	Needle Cap
2	MS28775-011	O-ring



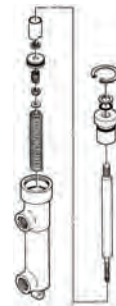
### Improved Aircraft Tire Balancers

- P/N TOOL129  
**Now fits more standard and taper axle sizes**
- Multiple models and add-on bushing kits for 3/4", 1", 1 1/4", 1 1/8", 1 5/8" and 2" axles (see page 241)
  - No removal of bearings or seals
- Fast, accurate and affordable!**



### Brake and Master Cylinder Seal Kits

- Save time and \$\$, just the parts you need  
P/N CBS-KT-3 Master Cylinder Seal Kit  
P/N CBS-KT-5 Brake Assembly Seal Kit
- 1 kit per brake or master cylinder
  - All parts contained in kit are approved



### Complete Wheel Seals

- P/N WH-KT-42
- Molded Seals and Snap Rings
  - Complete kit or individual components
  - FAA-PMA Approved



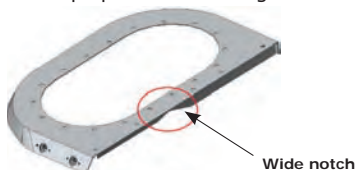
### Tie-Down Trim Plate

- Aluminum instead of plastic for longer life**  
P/N AF2615118-1
- Approved for all Caravan passenger aircraft only
  - Precision fit - drop in direct replacement
  - Won't shatter when impacted at low temperatures
  - Durable powder coating improves interior fit, finish and longevity



### Primary Exhaust Flange

- Improved design**  
P/N AF2654006-10
- Direct replacement
  - Precision fit with improved clearance
  - Approved for all Caravan aircraft with 114 or 114A engine
  - Features a wide notch and eliminates a fastener to reduce stress concentration - helps prevent cracking



Wide notch

### Oil Cooler Baffle

- Reinforced design for longer life**  
P/N AF2650098-5
- Precision fit - drop in direct replacement for 2650098-4 and -5
  - Fits Caravans with PT6A-114A engine and large oil cooler
  - Increased thickness at critical locations to extend life
  - Replaceable low cost seal
  - FAA-PMA approved



**Nose Gear Torque Link Assemblies**

Improved to reduce wear and prevent cracks  
Upper P/N AF2643084-1, Lower P/N AF2643084-2

- Approved for all 208 and 208B aircraft
- Hard aluminum surface to reduce wear
- Precision fit - drop in direct replacement
- Designed to prevent cracking in threaded grease fitting holes
- Ready for installation
- Durable powder coating finish



P/N AF2643084-1 (Upper)

P/N AF2643084-2 (Lower)

**Crew Door Panels**

Includes retaining straps, fire extinguisher recess, large storage pocket, weight placard and certificate pouch

P/N AF2615180-1 LH

P/N AF2615180-2 RH

- Color matched to original part
- Brings a modern look and increased utility to your older Caravan
- Precision fit
- FAA-PMA approved for all 208 aircraft
- Direct replacements for P/N 2615180-1 and -2 and the early model P/N 2615054 series door panels



**Nose Gear Shock Strut Cups and Cones**

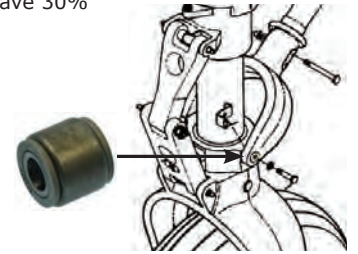
In Stock!  
Bearing Cup  
P/N L217813  
Bearing Cone  
P/N L217849



**Nose Gear Spring Fork Needle Bearing**

P/N MS24462-5

- Fits all Cessna 208 models
- Save 30%



**Tail Tie Down Handle, Rear**

FAA-PMA - Primed and ready for installation  
P/N AF2612035-1

- Approved for all 208 and 208B aircraft
- Precision fit - drop in direct replacement
- Tail stand interface unchanged, works with existing tail stand



**Ankra Interior Cargo Fittings**

McFarlane is now a full distributor!

Quantity discounts available



**Cargo Tie Downs**

Secure your cargo  
P/N TDC-208

Clamps to seat rails to provide tie down points to secure cargo.

- 4 required for every 100 lbs of cargo
- Anodized aluminum for durability
- FAA-PMA/STC approved



**Rod Ends**

Save \$\$

P/N MCS1106-3 Flap Actuator Push Rod

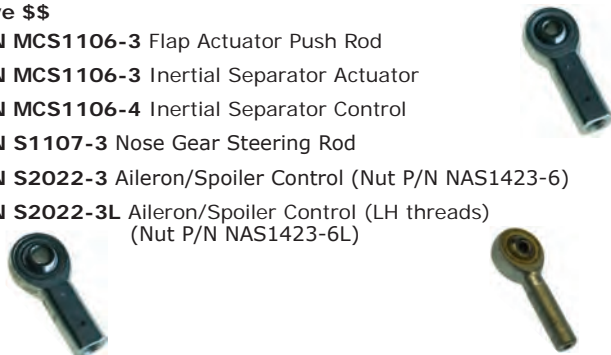
P/N MCS1106-3 Inertial Separator Actuator

P/N MCS1106-4 Inertial Separator Control

P/N S1107-3 Nose Gear Steering Rod

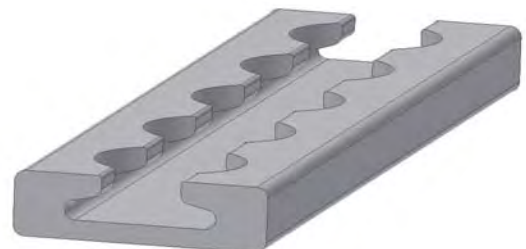
P/N S2022-3 Aileron/Spoiler Control (Nut P/N NAS1423-6)

P/N S2022-3L Aileron/Spoiler Control (LH threads)  
(Nut P/N NAS1423-6L)



**Browline Style Seat Tracks/Cargo Tracks**

- Slotted extrusion with 0.785" diameter openings every one inch
- Dimension meet MS33601 except thinner for reduced weight
- Compatible with common MS33601 cargo tie down and seat stud fittings
- Precision machined and anodized for corrosion protection



**Front and Rear Seat Tracks Coming Soon!**

### Cabin Heat Vents

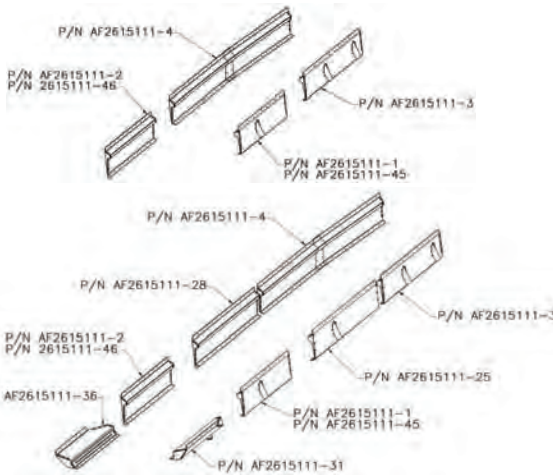
#### Reinforced design for longer life

- Replaceable end caps are metal not fragile plastic like the originals
- Precision fit - drop in direct replacement
- Powder coated corrosion resistant

208 Cabin Heat Vents		
P/N	Description	S/N
AF2615111-1	LH Fwd Center	0001 thru 0312
AF2615111-45	LH Fwd Center	0313 and On
AF2615111-2 <b>1</b>	RH Fwd Center	All
AF2615111-3	LH Aft	All
AF2615111-4	RH Aft	All

208B Cabin Heat Vents		
P/N	Description	S/N
AF2615111-1	LH Fwd Center	0214 thru 0765
AF2615111-45	LH Fwd Center	0766 and On
AF2615111-2 <b>1</b>	RH Fwd Center	0214 and On
AF2615111-3	LH Aft	0214 and On
AF2615111-4	RH Aft	0214 and On
AF2615111-25	LH Fwd Aft	0214 and On
AF2615111-28	RH Fwd Aft	0214 and On
AF2615111-31	LH Fwd	0214 and On
AF2615111-36	RH Fwd	0214 and On

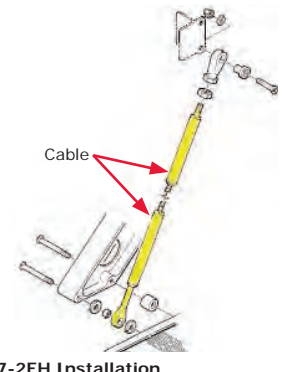
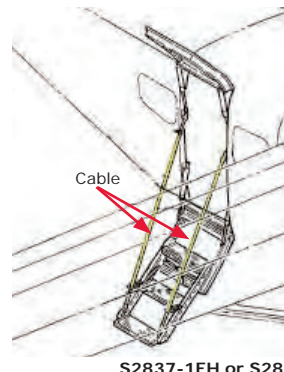
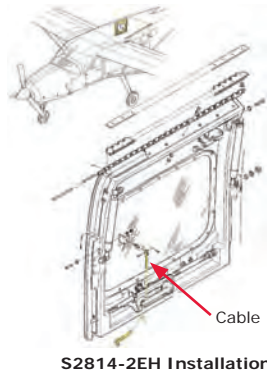
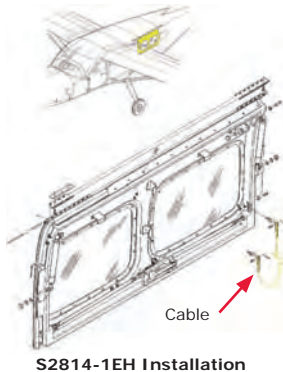
**1** P/N AF2615111-2 replaces Cessna P/N 2615111-2 and -46.



### Door Cables

#### Save \$\$

- Sealed with soft silicon rubber that is easy to clean
- Will not crack due to wear or climate temperature changes
- Does not separate from the cable and remains pliable for easy opening and closing of aircraft doors.
- Unique pre-formed stainless steel aircraft cable
- Hand-crafted with the highest quality standards.
- FAA-PMA Approved



Model	S/N	P/N	Location
208, 208B	All	S2837-1EH	Passenger Door Step, Lower
		S2837-2EH	Passenger Door Step, Lower, (Float Plane)
		S2814-1EH	Cargo Door Pull, Upper
		S2814-2EH	Passenger Door Pull, Upper

**Different colors available! See page 159**

### AeroLEDs Lighting

#### Increase safety and reduce operating cost!

#### See the Difference...

#### Know the Difference...

- Increased safety
- Direct Replacement
- Up to 80% reduced power consumption
- Long life - over 50,000 hours!
- Lighter weight - no heavy power supply
  - save up to 3 lbs
- Reduced drag
- Zero maintenance

36HX Taxi with Pulse P/N 01-1030-H-B (PAR36)	36-4587 Taxi P/N 01-1030-4587 (PAR36)
36 LX Taxi P/N 01-1030-L-B (PAR36)	46-4554 Taxi P/N 01-2230-4554 (PAR46)

36HX Landing with Pulse P/N 01-1030-H-A (PAR36)	36-4596 Landing P/N 01-1030-4596 (PAR36)
36LX Landing P/N 01-1030-L-A (PAR36)	46HX Landing with Pulse P/N 01-2130-HX (PAR46)
46HX Landing or Taxi P/N 01-2130-LX (PAR46)	46-4580 Landing P/N 01-2230-4580 (PAR46)

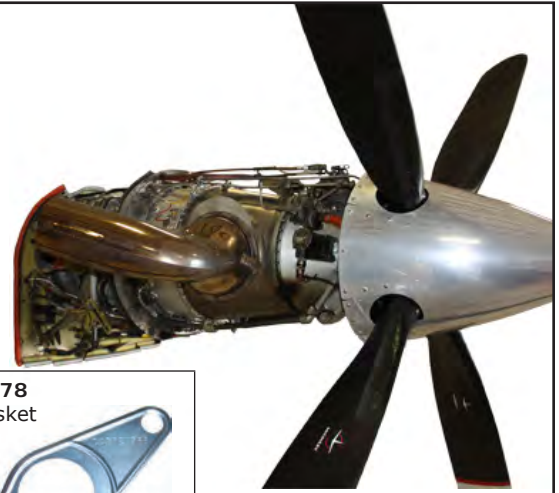
See lighting section on pages 166-170 for more information



### Parts for the Legendary Pratt & Whitney PT6 Engines

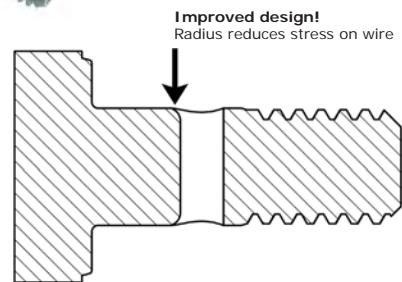
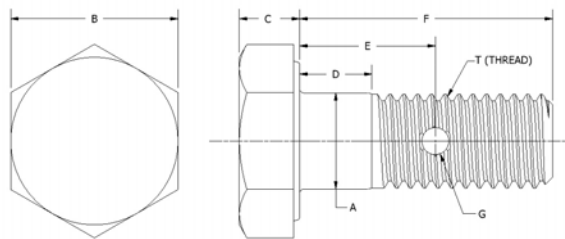
- In stock, no long lead times!
- Save \$\$ on commonly replaced parts

**SAVE!**



### Bolt Style Wire Clamps

- Unique design to reduce wire stress
- Heat treated stainless steel for wear and corrosion resistance
- The best for less!
- FAA-PMA Approved



Part Number	A	B	C	D	E	F	G	T	Application
	Bolt Dia. (in)	Wrench Size (in)	Thick (in)	Grip Length (in)	Hole Position (in)	Shank Length (in)	Hole Dia. (in)	Thread (~)	
MCS2323-3	0.250	7/16	0.156	0.188	0.199	0.539	0.073	1/4 - 28	flap indicator
MCS2323-5	0.188	3/8	0.125	0.125	0.188	0.531	0.073	10-32	cabin air, cabin heat, defrost, fuel shutoff, overhead air, oxygen, parking brake
MCS2323-8	0.188	3/8	0.125	0.250	0.202	0.656	0.096	10-32	oxygen control
MCS2323-11	0.188	3/8	0.125	0.250	0.266	0.656	0.076	10-32	bleed air control
MCS2323-13	0.250	7/16	0.156	0.313	0.271	0.781	0.073	1/4 - 28	bleed air diverter
MCS2323-19	0.188	3/8	0.125	0.125	0.200	0.531	0.094	10-32	defroster valve

### Cessna Caravan Torque Link Repair STC

Minimal downtime repair to keep 208/208B nose gears shimmy-free  
This STC will dramatically reduce nose gear swaps

- Save over \$15k and be flying the same-day
- Reduce downtime by repairing in the field
- Convenient tool kit allows for on airplane repair
- Bolts and pins are cad plated for longer life
- EASA approved



P/N AF2643092-1010, BOLT

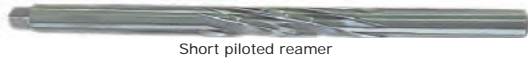


P/N AF2643091-1010, PIN



Tap handle

**Maintenance Tip:**  
Always use cutting oil and only drill by hand. Tool kits contain both short and long piloted reamers.



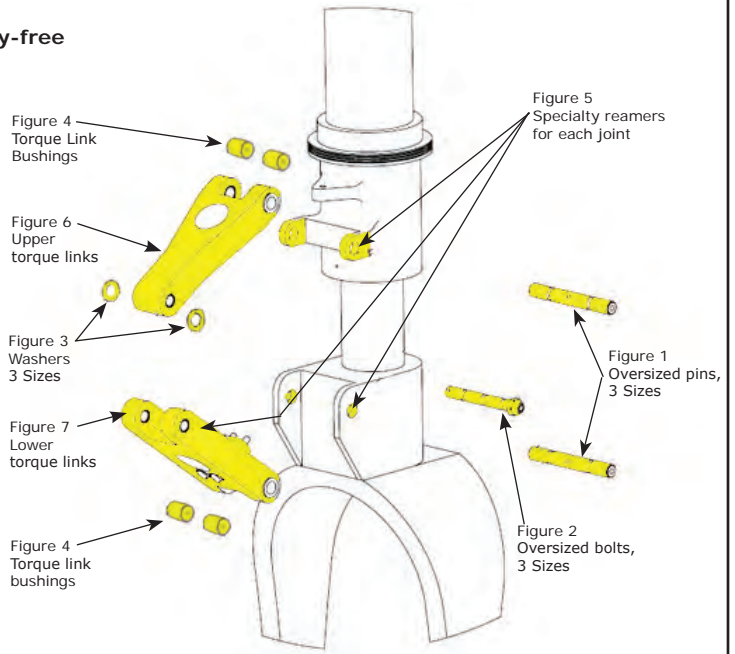
Short piloted reamer



Long piloted reamer



See Dave's article on stopping nose gear shimmy on pages 119-120 or [www.mcfarlaneaviation.com](http://www.mcfarlaneaviation.com)



**Eligible model series:**

Fits all Cessna 208/208B with "double lug" torque links. Includes all S/N's after 2080133/208B0098 or earlier S/N's equipped with SK208-51.

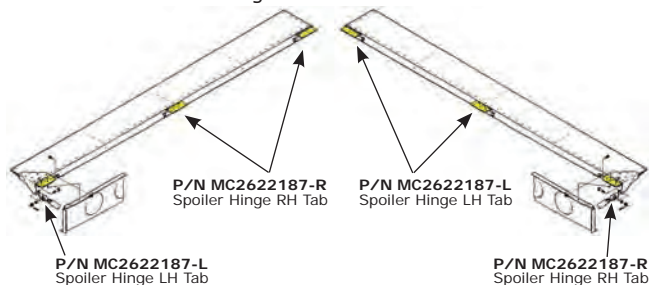
Figure	Part Number	Description	Approval Type
5	TOOL KIT .010	REAMERS, Oversized .010 - short and long piloted reamers + tap handle	STC
5	TOOL KIT .020	REAMERS, Oversized .020 - short and long piloted reamers + tap handle	STC
5	TOOL KIT .030	REAMERS, Oversized .030 - short and long piloted reamers + tap handle	STC
5	TOOL KIT 32-604-56-01	REAMERS, all three sizes	STC
6	AF2643084-1	Upper Torque Link	PMA
7	AF2643084-2	Lower Torque Link	PMA
1	AF2643091-1	PIN, Nominal	PMA
1	AF2643091-1010	PIN, Oversize .010	PMA
1	AF2643091-1020	PIN, Oversize .020	PMA
1	AF2643091-1030	PIN, Oversize .030	PMA
2	AF2643092-1	BOLT, Nominal	PMA
2	AF2643092-1010	BOLT, Oversize .010	PMA
2	AF2643092-1020	BOLT, Oversize .020	PMA
2	AF2643092-1030	BOLT, Oversize .030	PMA
3	32-604-37-22005	WASHER, .005 thickness	STC
3	32-604-37-22010	WASHER, .010 thickness	STC
3	32-604-37-22015	WASHER, .016 thickness	STC
4	AF2643085-200	BUSHING, Torque Link	PMA
	STC-TORQUE LINK	Torque Link STC	STC

### Caravan Spoiler Hinges

Improved McFarlane hinges feature selective fit components for a longer service life

P/N MC2622187-L (Replaces 2 each 2622187-7, 1 each 2622226-1)  
P/N MC2622187-R (Replaces 2 each 2622187-7, 1 each 2622226-2)

- Save \$\$
- FAA-PMA direct replacement
- Eligible for all Cessna Caravan 208,208B
- Selective fit components
- Cadmium plated stainless spins and anodized aluminum hinges for better corrosion resistance
- No looseness in the hinge to start vibration wear



### Cessna Caravan Main Wheel Bolts STC

For Caravan operators who demand the most from their equipment

The high strength wheel bolts have been proven in the field to reduce fretting between wheel halves and provide an additional margin of safety for the wheel assembly. High strength MS21250 bolts replace the standard AN5 hardware that fasten the wheel halves and brake disc together. High strength nuts and countersunk washers are included with each kit.

Replacement bolts come in two lengths to accommodate aircraft with and without brake disc spacers, and are eligible for aircraft equipped with certain gross weight increase STCs. The high strength wheel bolts are approved for use with any of the Cessna 208/208B tire installations.

The replacement hardware is eligible for installation only on the 10 inch diameter Cleveland wheel and brake assembly P/N 20-244, aircraft equipped with any of the Aeroacoustics Aircraft Systems, Inc. Caravan STCs or on aircraft equipped with or without the Aero Twin, Inc. brake disc spacer STC SA02126AK-D.

#### Purchase Options and Part Numbers

##### P/N AFC-208BOLTKIT-STC-Only

Contains a copy of the STC, installation instructions, and permission letter from the manufacturer. Hardware is not included.

##### P/N AFC-208BOLTKIT-STC+058

Contains the 058 hardware kit for aircraft without disc spacers, a copy of the STC, installation instructions, permission letter from the manufacturer and complete hardware kit for one aircraft including bolts, nuts, and countersunk washers. The kit includes enough hardware for two wheels (one aircraft).

##### P/N AFC-208BOLTKIT-STC-058

Hardware kit only for aircraft without disc spacers. Customer must already have purchased the STC. Includes complete hardware kit for one aircraft with bolts, nuts, and countersunk washers. The kit includes enough hardware for two wheels (one aircraft).

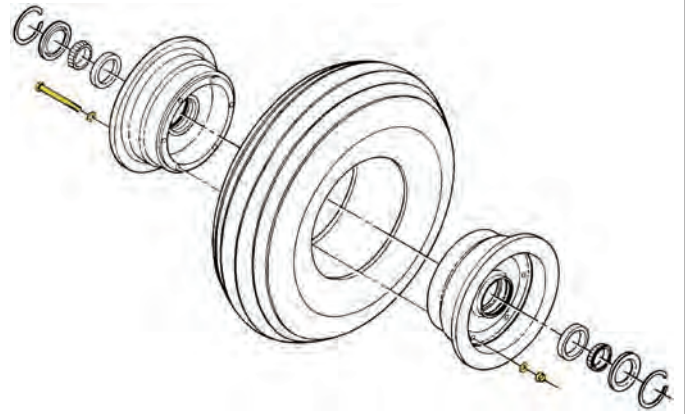
##### P/N AFC-208BOLTKIT-STC+060

Contains the 060 hardware kit for aircraft with disc spacers, a copy of the STC, installation instructions, permission letter from the manufacturer and complete hardware kit for one aircraft including bolts, nuts, and countersunk washers. The kit includes enough hardware for two wheels (one aircraft).

##### P/N AFC-208BOLTKIT-STC-060

Hardware kit only for aircraft with disc spacers. Customer must already have purchased the STC. Includes complete hardware kit for one aircraft with bolts, nuts, and countersunk washers. The kit includes enough hardware for two wheels (one aircraft).

- High strength hardware helps prevent fastener failure during operations
- Two configurations of bolt kits
- Multiple purchase options
- STC is FAA and EASA approved



**New!**

### Passenger Door Step for Cessna Caravan

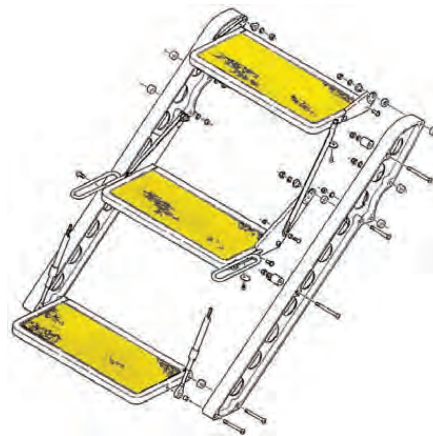
Durable Aluminum Step with STC!

#### P/N AF2617076-1

Engineered for increased longevity and is constructed solely from aluminum to eliminate the incidence of delaminating. Direct replacement for Cessna P/Ns 2617076-1 (lower), 2617076-10 (upper) and 2617076-11 (middle).

- FAA-PMA STC Approved - STC comes with the part
- Fits all Cessna 208/208B Aircraft
- Slip resistant tread surface
- Withstands significantly more weight than OEM part
- Longer service life
- More resistant to weather and the damaging effects of moisture

Slip resistant tread surface



**New!**