




MD93H

## MD93H Series

### Digital Clock/USB Charger

Manufactured by Mid-Continent Instruments and Avionics

THE MD93 SERIES IS A MULTIFUNCTIONAL DIGITAL CLOCK WITH THE ADDED VALUE OF A DUAL USB CHARGING PORT.

#### Power up and save panel space with this unique 2-in-1 solution.

Accurate time-keeping is essential for any pilot and in-flight USB charging power is a necessity. The MD93 Series Digital Clock/USB Charger features intuitive operation with five modes: Local Time, Universal Time, Flight Timer, Countdown Timer and Stopwatch. The Dual USB Charging Port charges any standard or high-power device with a USB interface. Available with 2.1 or 3.0 amps per port, the MD93 Series protects itself and the charging device from short circuit, power surges and over-current potential.

- Compact 2-inch size fits standard panel cutout
- Six-digit, seven-segment LED clock and USB charger
- Five modes: Local Time, Universal Time, Flight Timer, Countdown Timer and Stopwatch
- Clock settings include 12- or 24-hour mode and seconds On or Off
- Features external lighting control and built-in photocell for automatic dimming
- More than 10-year internal battery maintains time and flight timer memory when not powered by the aircraft
- USB interface provides 3.0 amps per charging port
- Compatible with Apple and other USB devices
- Protects itself and the charging device from short circuit, power surges and over-current potential
- Designed and built in Wichita, Kansas, USA
- One-year limited warranty

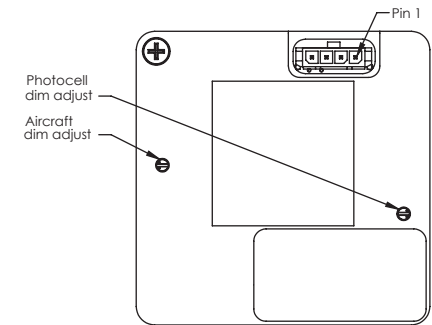
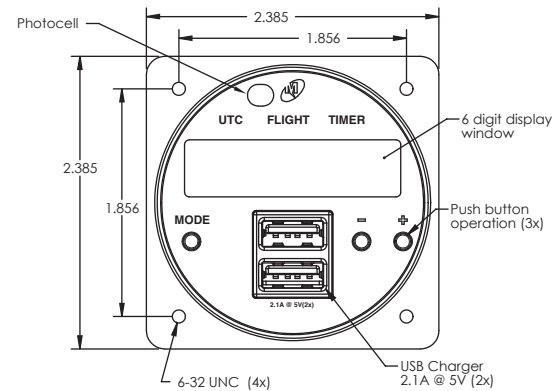
## MD93 Series

# Digital Clock/USB Charger

Manufactured by Mid-Continent Instruments and Avionics

### SPECIFICATIONS

Power Input	MD93	10–32 VDC, 29 watts max 2.1A @ 14 VDC; 1.0A @ 28 VDC
	MD93H	10–32 VDC, 36 watts max 2.6A @ 14 VDC; 1.3A @ 28 VDC
Power Output	MD93	5.0 ±0.25 VDC; 2.1A per USB Port
	MD93H	5.0 ±0.25 VDC; 3.0A per USB Port
Clock Accuracy	±0.5 seconds in 24 hours	
Weight	0.3 lbs	
Temperature	-40°C to 70°C (-40°F to 158°F)	
Altitude	55,000 feet	
Mounting	Rear-panel mounted, (4) #6 screws	
Dimensions	2.39 x 2.39 x 1.15 inches max	
Connector Kit	MCIA P/N 9018178	
USB Interface	USB Standard-A	
Case	Anodized aluminum black	
Certification	FAA TSO certified to C71	
	EASA ETSO certified to C71	
	RTCA DO-160G qualified	



### RELATED PRODUCTS

#### TA102 Dual USB Charging Port

Part Number	Power Input	USB Connector
6430102-1	Rear	Sealed, Water Resistant
6430102-2	Bottom	Sealed, Water Resistant
6430102-3	Rear	Lighted
6430102-4	Bottom	Lighted

