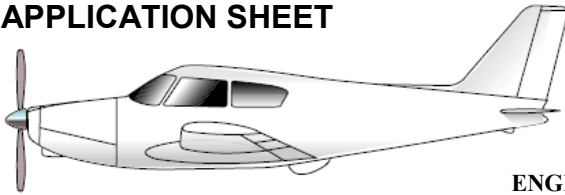




**APPLICATION SHEET**



**ENGINE VIBRATION ISOLATORS  
TYPE 96355-01**

**Barry Controls™ Aerospace** designs and manufactures engine vibration isolation systems to meet the exacting standards of the aircraft industry. These systems are designed to reduce the magnitude of vibration transmitted from the propeller/powerplant to the airframe. Isolation provides: reduced pilot fatigue, passenger comfort, and maximum protection of the aircraft structure and systems from damaging vibration. To assure maximum protection and performance from the isolation system, replacement is recommended at each engine overhaul.

**Barry Controls™ Aerospace** has been granted Parts Manufacturer Approval (PMA) for engine vibration isolator type number 96355-01 used in the aircraft listed below. One engine vibration isolation system consists of four isolators, as noted below and on installation drawings. Each isolator consists of two molded assemblies, and an aluminum spacer.

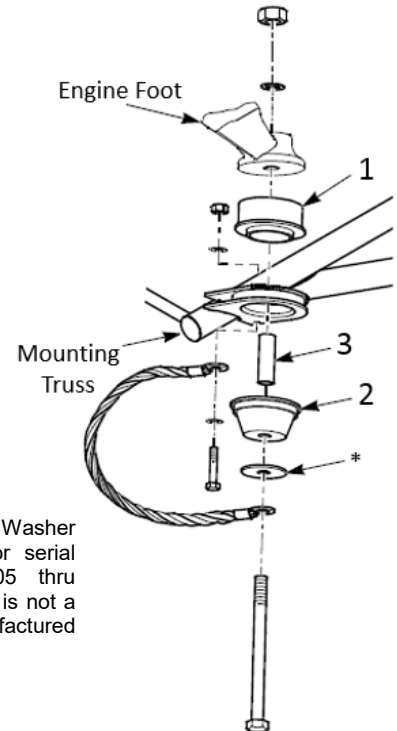
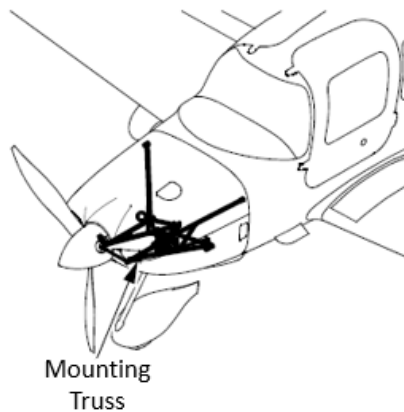
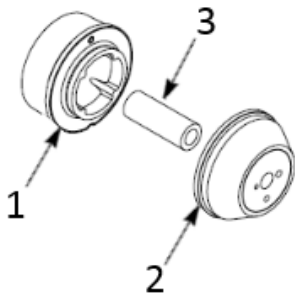
**APPLICATIONS**

Aircraft Manufacturer	Aircraft Model	Serial Range	Engine	Isolators Per Aircraft
Cirrus	SR20	1005 and subsequent	Continental IO-360-ES	(4) 96355-01

The above **Barry Controls™ Aerospace** vibration isolators are PMA approved for installation on the applications listed as direct replacements for the following part numbers:

Cirrus Part Number	Barry Controls Part Number
15526-002	96355-01

**Barry Controls™ Aerospace** vibration isolators are sold as assemblies. The illustrated parts breakdown and part number list is provided as reference only. For additional information, applications assistance, and technical support, please contact our customer service department.



Type 96355-01			
Item No.	Description	Part No.	Qty per Assy
1	Molded Assy, Cylindrical	00-11900-55	1
2	Molded Assy, Conical	00-14945-01	1
3	Spacer	85-9386-01	1

\*Note: Washer required for serial range 1005 thru 1541. This is not a BCA manufactured part.

