



**ENGINE VIBRATION ISOLATORS  
TYPE 94011-20**

**Hutchinson Aerospace** designs and manufactures engine vibration isolation systems to meet the exacting standards of the aircraft industry. These systems are designed to reduce the magnitude of vibration transmitted from the propeller/powerplant to the airframe. Isolation provides: reduced pilot fatigue, passenger comfort, and maximum protection of the aircraft structure and systems from the damaging effects of vibration. To maintain maximum performance and protection from the isolation system, replacement is recommended at every engine overhaul.

**Hutchinson Aerospace** has been granted Parts Manufacturers Approval (PMA) for vibration isolation assembly type number 94011-20 installed on the aircraft listed below. For complete product definition, some systems require two 94011-20 and two 94011-02 or two 94011-20 and two J-9613-72HA. **Hutchinson Aerospace** holds PMA for these isolation systems as well. Each isolator consists of: two molded assemblies, a spacer, and a washer. The spacer located between the two molded assemblies provides proper installation positioning and pre-compression.

**APPLICATIONS**

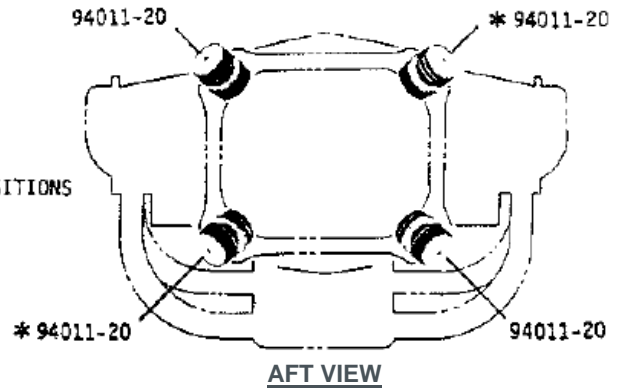
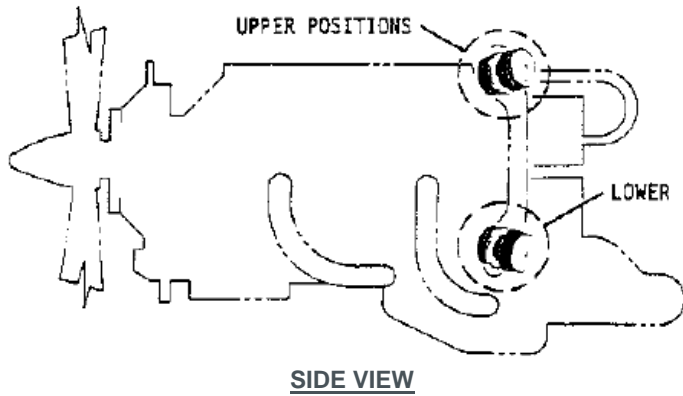
AIRCRAFT MANUFACTURER	POPULAR NAME	AIRCRAFT MODEL	ENGINE TYPE	ISOLATORS PER ENGINE	ISOLATORS PER AIRCRAFT
Air Plains	172 180HP Conversion	Cessna 172B thru P	LYC O-360-A4M	(4) 94011-20	(4) 94011-20
Beech	Duchess	76	LYC O-360-A1G6D LYC LO-360-A1G6D	(2) 94011-20 (2) J-9613-72HA	(4) 94011-20 (4) J-9613-72HA
Cessna Textron	Skyhawk	172I, 172K, 172L, 172M	LYC O-320-E2D	(4) 94011-20	(4) 94011-20
		172N	LYC O-320-H2AD	(4) 94011-20	(4) 94011-20
		172P	LYC O-320-D2J	(4) 94011-20	(4) 94011-20
		172R, 172S	LYC IO-360-L2A	(2) 94011-20 (2) J-9613-72HA	(2) 94011-20 (2) J-9613-72HA
	Cutlass	172Q	LYC O-360-A4N	(2) 94011-20 (2) J-9613-72HA	(2) 94011-20 (2) J-9613-72HA
		172RG	LYC O-360-F1A6	(2) 94011-20 (2) J-9613-72HA	(2) 94011-20 (2) J-9613-72HA
	Cardinal	177	LYC O-320-E2D	(4) 94011-20	(4) 94011-20
		177A	LYC O-360-A2F	(4) 94011-20	(4) 94011-20
177B		LYC O-360-A1F6 or -A1F6D	(4) 94011-20	(4) 94011-20	
Gulfstream Aerospace	Tiger	AA-5B	LYC O-360-A4K	(4) 94011-20	(4) 94011-20
	Cougar	GA-7	LYC O-320-D1D	(4) 94011-20	(4) 94011-20
	Commander	111	LYC O-360-A1G6 or -A4G	(2) 94011-20 (2) 94011-02	(2) 94011-20 (2) 94011-02
		112, 112B	LYC O-360-C1D6	(2) 94011-20 (2) 94011-02	(2) 94011-20 (2) 94011-02
		112TC, 112TCA	LYC TO-360-C1A6D	(2) 94011-20 (2) 94011-02	(2) 94011-20 (2) 94011-02
Mooney	Mark 201	M20J	LYC IO-360-A1B6D or -A3B6D	(4) 94011-20	(4) 94011-20
Partenavia	Victor	P68	LYC IO-360-A1B or A1B6	(4) 94011-20	(8) 94011-20
Piper	Cherokee Cruiser	PA-28-140 (S/N 75-25001 and up)	LYC O-320-E2A	(2) 94011-20 (2) 94011-02	(2) 94011-20 (2) 94011-02
	Cherokee Warrior	PA-28-151	LYC O-320-E3D	(2) 94011-20 (2) 94011-02	(2) 94011-20 (2) 94011-02
	Warrior II	PA-28-161	LYC O-320-D2A or -D3G	(2) 94011-20 (2) 94011-02	(2) 94011-20 (2) 94011-02
	Cherokee	PA-28-180 (S/N 5151 and up)	LYC O-320-A3A or -A4A	(4) 94011-20	(4) 94011-20
	Arrow	PA-28R-200	LYC IO-360-C1C or C1C6	(4) 94011-20	(4) 94011-20
		PA-28R-180 (S/N 30001 and up)	LYC O-360-B1E	(4) 94011-20	(4) 94011-20
	Archer II	PA-28-181	LYC O-360-A4A or -A4M	(4) 94011-20	(4) 94011-20
	Arrow III	PA-28R-201 (S/N 28R-7737002 and up)	LYC IO-360-C1C6	(4) 94011-20	(4) 94011-20
	Seneca	PA-34-200	LYC IO-360-C1E6 or LIO-360-C1E6	(4) 94011-20	(8) 94011-20
	Seminole	PA-44-180	LYC O-360-E1A6D or -A1H6 LYC LO-360-E1A6D or -A1H6	(4) 94011-20	(8) 94011-20
Turbo Seminole	PA-44-180T	LYC TO-360-E1A6D LYC LTO-360-E1A6D	(4) 94011-20	(8) 94011-20	
Socata	Rallye	235C, 235E	LYC O-540-B4B5	(4) 94011-20	(4) 94011-20

APPLICATION SHEET



FAA REPAIR STATION UT3R905L  
 JAA JAR 145.10  
 FAA-PMA PARTS MANUFACTURING APPROVED

**Hutchinson Aerospace** vibration isolators are sold as assemblies. The illustrated parts breakdown and part number list as provided for reference only. For additional information, applications assistance, and technical support, please contact our customer service department.

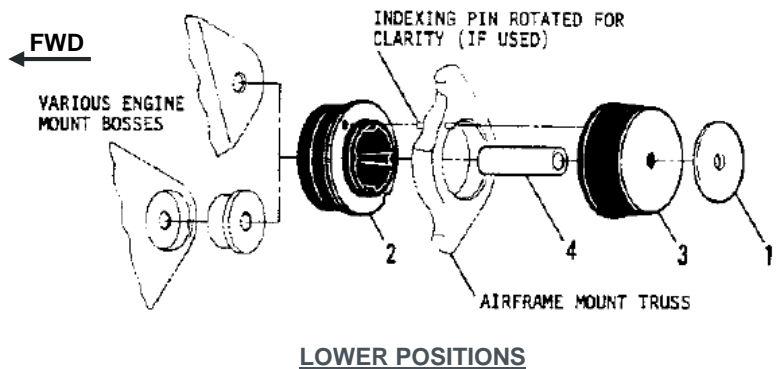
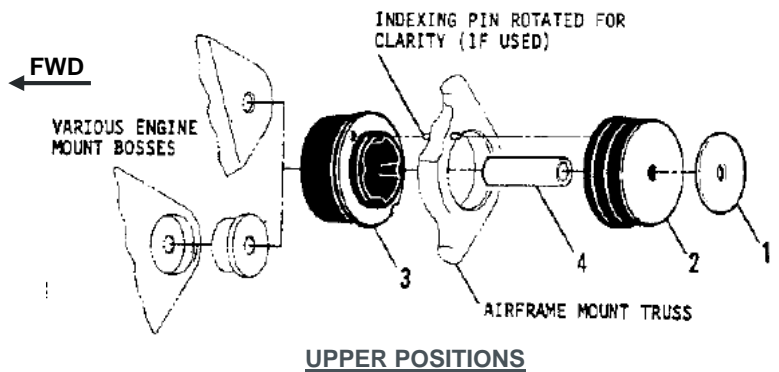


\*NOTE: When 94011-20 is used with 94011-02 or J-9613-72HA Isolators, install 94011-02 or J-9613-72HA at these specified locations.

TYPE 94011-20			
ITEM	DESCRIPTION	PART NUMBER	UNITS PER ASSEMBLY
1	Washer	98-9074-11	1
2	Molded Assembly, Shimmed	00-11901-73	1
3	Molded Assembly, Unshimmed	00-11900-71	1
4	Spacer	85-9217-02	1

\*\*NOTE: Some aircraft applications may require zero, one, or two washers in from of the isolator. This washer is not a Hutchinson manufactured part.

Type 94011-20 is designed and approved for installation without the use of a "damper-bag" center spacer.



Please refer to the aircraft's Illustrated Parts Catalog and Maintenance Manual for proper installation instructions.