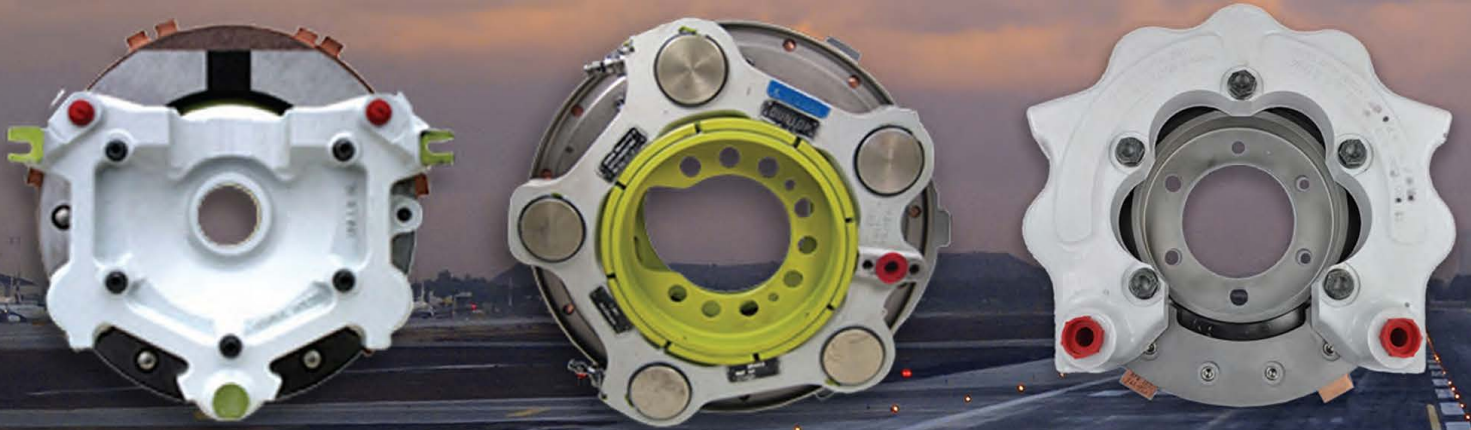


PARTS CATALOG

Sept 2017, Ver 7



RFS
RAPCO FLEET SUPPORT, inc.



INDEX

RFS - Corporate & Regional Brake Application Guides

- 1 Brake Hot Pack Kit Applications
- 2 OEM Part Cross Reference
- 4 Sikorsky S76
- 6 Beechjet 400A (XP)
- 8 Falcon 20
- 10 Hawker 600 & 700
- 12 Hawker 800, 850 & 900
- 14 Cessna Citation I & II
- 16 Learjet
- 18 Sabreliner
- 20 Beech Super King Air
- 22 High Float King Air
- 24 B99, King Air & Metro
- 26 Embraer EMB-120
- 28 Heavy Metro
- 30 Jetstream J31
- 32 Beech B-1900
- 34 B-1900 Landing Gear Components

*For Reference Only. Please refer to individual
FAA-PMA Supplements for Installation
Eligibility.*

For printing of individual sheets, this
entire catalog is available online at
www.rapcoinc.com

RFS

RAPCO FLEET SUPPORT, Inc.

Rapco Fleet Support, Inc.

440 Cardinal Lane

Hartland, WI 53029

262.367.6210 phone

262.367.6219 fax

www.rfsbrakes.com

How to say "No Thank You"

When you get the 'revised' quote from the O.E.M. after we offer a PMA alternative

When you get the 'revised' quote from the O.E.M. after we offer a PMA alternative



Price the OEM used to charge me: \$ _____

Amount I could be saving with RFS: \$ _____

Number of times I've purchased: _____ x _____

Amount I've been overcharged by the OEM: \$ _____

Circle This Number!

Beechjet 400A



Hawkers



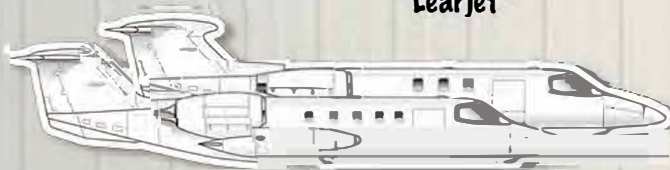
Falcon 20



Citation



Learjet



King Air 200



Metro



B1900



....and More

Lear Operators:

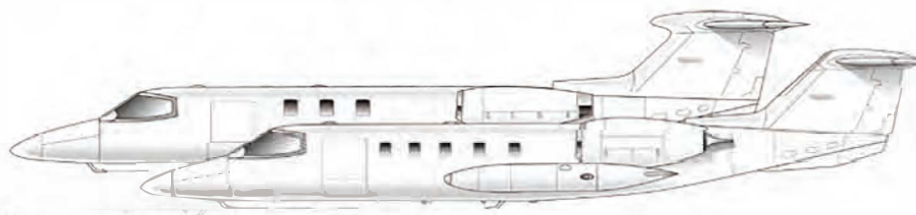
How Many Times do You Want to Change Brakes this Year?



Rapco Fleet Support, Inc. has offered quality, FAA PMA approved replacement brake components for Learjets since 1988. In addition to substantial cost savings, operators have experienced up to 40% more cycles using RFS wear parts and overhauls versus the OEM.

RFS's continuing efforts to maintain low costs, while excelling in product quality, have influenced OEM prices to plummet from an embarrassing high of \$3,600, per brake, to a more reasonable cost of \$800. Recently, some OEM vendors have offered to match the low price offered by RFS. Even so, with the high cost of removal and replacement of about \$500, as well as the immeasurable expense of down time, operators would need to purchase the quicker wearing OEM for 1/2 the cost of RFS to maintain the same overall value.

Keep your aircraft flying.....and do it for less dollars per landing.



Hot-Pac Kit Applications

Order the corresponding kit to overhaul your own brakes

<u>Aircraft Type</u>	<u>Brake P/N</u>	<u>RFS Kit P/N</u>
<i>Sikorsky S76</i>	30-242	RFS30-242
<i>Beechjet 400A</i>	5010614	RFS-5010614K
<i>Falcon 20</i>	9550504	RFS-9550504K
Raytheon / Hawker 800, 850, 900	AHA1897	RFS-1897K
	AHO89881 (Heat Stack)	RFS-1897K
Raytheon / Hawker 600, 700	AH52787	RFS-52787K
	AHO89444 (Heat Stack)	RFS-52787K
<i>Cessna Citation</i>	5001445-3 & 4	RFS-1446K
	5001446-3 & 4, 5 & 6	RFS-1446K
<i>Learjet 25, 31, 35, 36, 55</i>	5003096-4	RFS-3096K
	5003096-6	RFS-3096K
<i>Sabreliner 40, 60,</i>	9550338-1	RFS-9550338K
	9550338	
<i>King Air 200, 300, 350</i>	2-1576	RFS-1576K
	101-8001-9	RFS-1576K
	101-8001-91	RFS-1576K
	101-380096-1	RFS-1576K
	5002256	RFS-2256K
	101-8002-3	RFS-2256K
<i>King Air F90, 100, A100, B100</i>	115-8001-3	RFS-2587K
<i>Beech 99 Airliner</i>	115-8001-3	RFS-2587K
<i>Fairchild Metro Series</i>	2-1203	RFS-2587K
<i>Fairchild Metro II & Merlin Series</i>	2-1203-1	RFS-2587K
	2-1203-2	RFS-1587K
	2-1203-4	RFS-1587K
<i>Fairchild Metro III</i>	2-1203-3	RFS-1587K
<i>Fairchild Heavy Metro</i>	5011640-1	RFS-1640K
	5011640-2	RFS-1640K
<i>B1900C & D</i>	114-8008-3	RFS-6749K
	5006749-4	RFS-6749K
	114-388024-1	RFS-6749K-1
	5006749-5	RFS-6749K-1
<i>Jetstream 31</i>	2-1522-1	RFS-1522K
<i>EMB120</i>	2-1479-1	RFS-1661K
	2-1585	RFS-1661K
	2-1661	RFS-1661K

All Brake Parts FAA-PMA approved for direct replacement

OEM to RFS Cross Reference

OEM Part #	RFS Part #
062-10800	RFS062-10800
063-08200	RFS063-08200
073-09800	RFS073-09800
088-03500	RFS088-03500
100-820017-1	RFS100-820017-1
101-60100	RFS101-60100
101-61900	RFS101-61900
101-8001-111	RFS207-111
101-8001-15	RFS-15
101-8001-27	RFS-27
101-8002-11	RFS5050
101-8002-13	RFS1030
101-8002-15	RFS2015
101-8002-17	RFS5055
101-8002-33	RFS3030
101-810024-3	RFS101-810024-3
101-810026-1	RFS101-810026-1
101-810090-3	RFS101-810090-3
105-06700	RFS105-06700
105739X-YN1437	RFS105739X-YN1437
105739X-YR0875	RFS105739X-YR0875
105740X-YA0630	RFS105740X-YA0630
105740X-YA1625	RFS105740X-YA1625
105740X-YN0625	RFS105740X-YN0625
105740X-YN0677	RFS105740X-YN0677
109-02800	RFS109-02800
114-8008-15	RFS5010
114-8008-17	RFS5005
114-8008-21	RFS5015
114-8008-53	RFS3005
114-8008-57	RFS1005
114-810022-1	RFS114-810022-1
114-810038-1	RFS114-810038-1
114-810042-1	RFS114-810042-1
114-820062-1	RFS114-820062-1
114-820068-1	RFS114-820068-1
114-820112-1	RFS114-820112-1
114-820113-1	RFS114-820113-1
115-151	RFS-151
115-151-1	RFS-151
115-151-2	RFS-151
115-210-2	RFS115-210-2
115-8001-11	RFS-151
115-8001-15	RFS2587
115-8001-7	RFS207-4
115-810066-3	RFS115-810066-3
133-1096	RFS2010
133-1097	RFS-15
133-1317	RFS5155
133-1513	RFS133-1513
133-268	RFS2587
133-593-1	RFS2005
140-04730	RFS140-04730
159-07100	RFS159-07100
170-114	RFS6180
184-853-1	RFS6335
20-291	RFS20-291
205-00600	RFS6435
244-528	RFS1587

OEM Part #	RFS Part #
244-594	RFS1010
244-667	RFS1015
244-669	RFS-27
244-742	RFS1015-1
259-80	RFS259-80
260-808	RFS260-808
304-333	RFS-15K
304-333	RFS-1576K
309-21-3	RFS5020
309-44-3	RFS5020
342-143	RFS207-4
342-144	RFS207-111
342-24	RFS207-4
342-89	RFS207-9
40-387	RFS40-387
4-323-1	RFS6335
5000207	RFS3085
5000208	RFS5120
5000209	RFS5110
5000210	RFS5115
5001452	RFS6105
5001481	RFS6110
5001540-1	RFS6115
5002105	RFS3030
5002257	RFS5055
5002259	RFS2015
5002260	RFS1030
5002261	RFS5050
5002531	RFS1055
5002546	RFS4105
5002756	RFS2050
5002758	RFS4150
5003536	RFS5065
5003537	RFS3070
5003538	RFS5060
5003539	RFS4110
5003540	RFS1045
5003541	RFS2035
5003542-1	RFS6125
5003956	RFS3090
5003957	RFS5125
5003958	RFS5175
5005117-1	RFS5080
5005118	RFS4090
5005119	RFS5119
5006029	RFS6029
5006425	RFS6425
5006752	RFS5006752
5006905	RFS5006905
5007328	RFS5007328
5007425	RFS4040
5007426	RFS4035
5007427	RFS6405
5007436	RFS4045
5007439	RFS3025
5007440	RFS3020
5007441	RFS3015
5007442	RFS5025
5007444	RFS5035

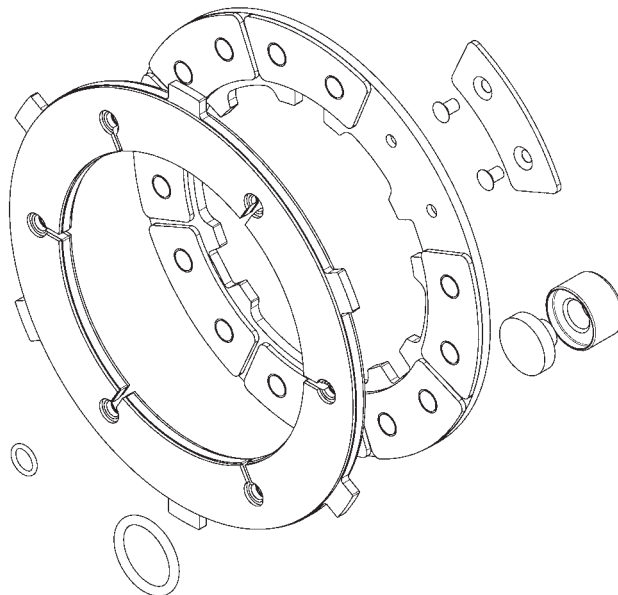
OEM to RFS Cross Reference

OEM Part #	RFS Part #
5007450	RFS5030
5008886	RFS5010
5008887	RFS5005
5008889	RFS4015
5008890	RFS4010
5008892	RFS3005
5008893	RFS1005
5008895-1	RFS5008895-1
5010687	RFS1095
5010688	RFS2070
5010702	RFS3115
5010704-1	RFS5010704-1
5010705	RFS4155
5010711	RFS5010711
5010717	RFS5205
5010718	RFS5200
5010754	RFS5010754
5011103	RFS1090
5011319	RFS5011319
5011639	RFS1025
5012405	RFS1005A
5012941	RFS5012941
5012943	RFS5012943
5013798-1	RFS-1640K
50-810035-2	RFS50-810035-2
50-810035-4	RFS50-810035-4
541-45	RFS5020-1
54-377	RFS101-8001-97
54-392	RFS6555
54-413	RFS6570
63-501	RFS63-501
68-1132	RFS68-1132
74-533	RFS6380
74-645	RFS6375
78-135	RFS78-135
78-265	RFS78-265
78-364	RFS78-364
90003131	RFS-2256K
90003164	RFS-3096K
90003166	RFS-1446K
90006577	RFS-9550504K
90007281	RFS-9550338K
90010034	RFS-5010614K
90-820010-1	RFS90-820010-1
93-1013	RFS3010
93-1014	RFS4020
93-438	RFS3010
93-770-3	RFS4020
93-909-1	RFS93-909-1
93-955-3	RFS4020
93-956	RFS3010
9523519	RFS9523519
9525812	RFS9525812
9534514	RFS9534514
9535041	RFS6365
9536254	RFS4095
9536256	RFS4100
9536273	RFS6140

OEM Part #	RFS Part #
9536788	RFS6370
9542648	RFS2045
9542927	RFS1065
9544027	RFS5070
9544028	RFS5075
99-8003-25	RFS6370
99-810066-1	RFS99-810066-1
AHM7127	RFS4120
AHM7129	RFS1060
AHM7151	RFS2040
AHM8974	RFS4115
AHM9053	RFS1050
AHO80972-1	RFS80972-1
AHO80972-3	RFS80972-3
AHO80972-4	RFS80972-4
AHO82396	RFS6220
AHO83326-7	RFS6210
AHO83327-4	RFS6215
AHO83829-6	RFS3075
AHO85003	RFS5100
AHO85004	RFS5095
AHO85005	RFS5091
AHO85530	RFS5190
AHO88453	RFS5185
AHO89040	RFS6310
AHO89444	RFS89444
AHO89645	RFS6305
AHO89880	RFS5090
AHO89881	RFS89881
AHO90631	RFS5091
AHO90632	RFS89444
DAA05360-01	RFS-1897K
DAA05361-01	RFS-52787K
GY16B16	RFS16B16
GY16B7	RFS16B7
GY16B9	RFS16B9
GY18A13	RFS18A13
GY18A15	RFS18A15
GY18B15	RFS18B15
GY18B16	RFS18B16
GY18B7	RFS18B7
GY18B8	RFS18B8
GY18B9	RFS18B9
GY8A18	RFS8A18
GYR18B14	RFS18B14
GYR6A14	RFS6A14
GYR6A16	RFS6A16
GYR6B11	RFS6B11
GYR6B5	RFS6B5
GYR6B6	RFS6B6
GYR8A15	RFS8A15
GYR8A23	RFS8A23
GYR8B3	RFS8B3
GYR8B7	RFS8B7
GYR8B8	RFS8B8
GYR8B9	RFS8B9
RG34897-1	RFS34897-1

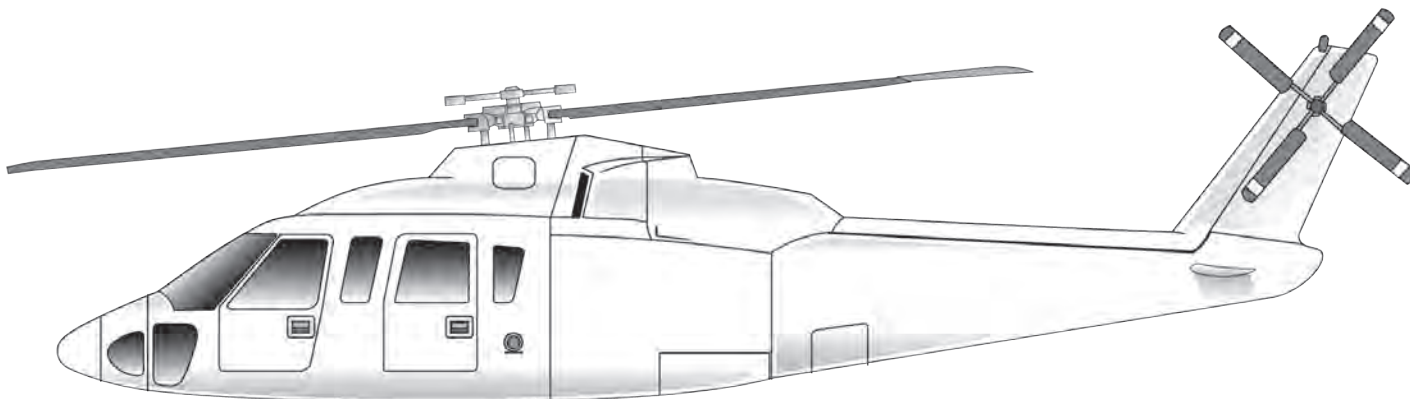
For Reference Only. Please refer to individual FAA-PMA Supplements for for Installation Eligibility.

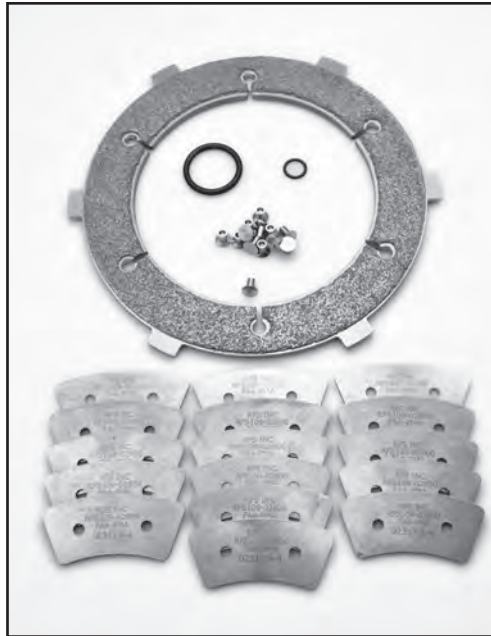
SIKORSKY S76



FAA-PMA APPROVED

Replacement Brake Parts





These Brake Parts fit the following:

Sikorsky S76 when equipped with Cleveland/Parker Hannifin brake assembly part number 30-242

Rapco Fleet Support, Inc. to Cleveland Part Number cross-reference:

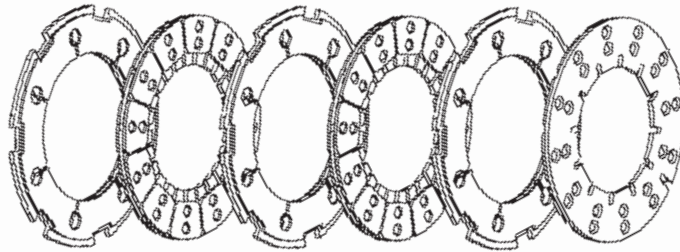
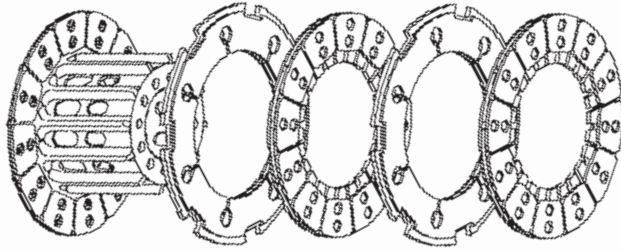
	QTY	RFS Part No.	Cleveland P/N	Part Description
RFS-242K Hot-Pac Kit Contents	1	RFS159-07100	159-07100	Rotating Disc
	16	RFS109-02800	109-02800	Wear Pad
	36	RFS105-06700	105-06700	Rivet
	9	RFS101-61900	101-61900	O-ring
	1	RFS101-60100	101-60100	O-ring
	Other Parts			
		RFS062-10800	062-10800	Piston
		RFS088-03500	088-03500	Insulator
		RFS073-09800	073-09800	Pressure Plate Sub-Assembly
		RFS063-08200	063-08200	Pressure Plate

FAA-PMA APPROVED Replacement Brake Parts

For Reference Only. Please refer to individual FAA-PMA Supplements for for Installation Eligibility.

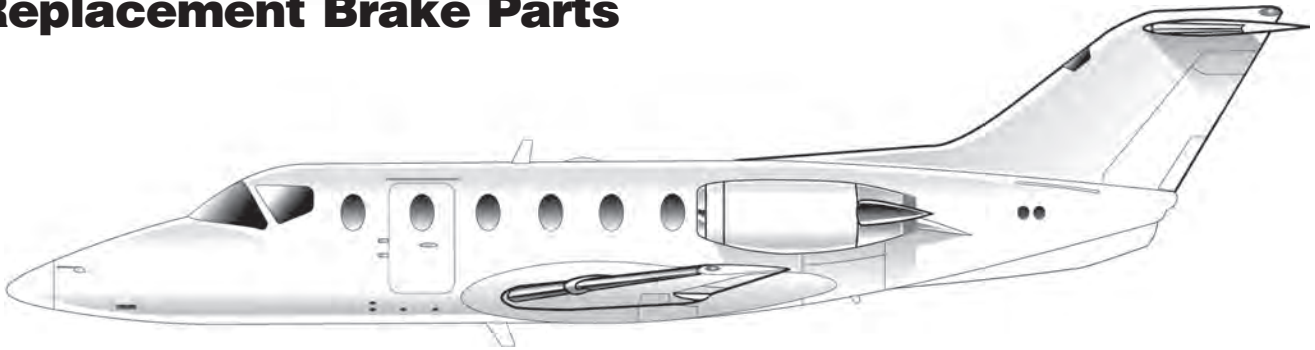
BEECHJET

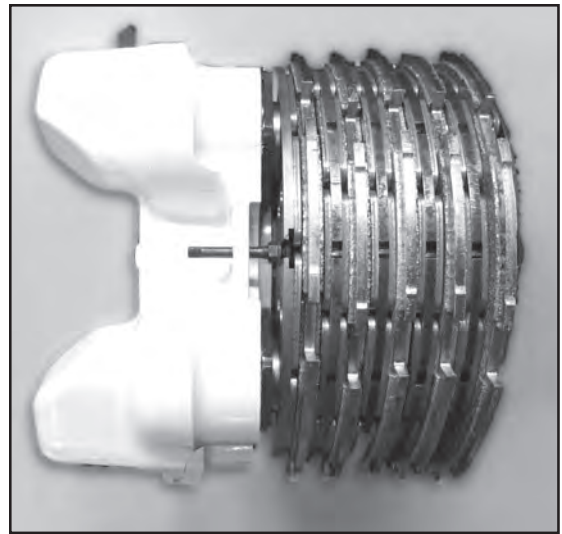
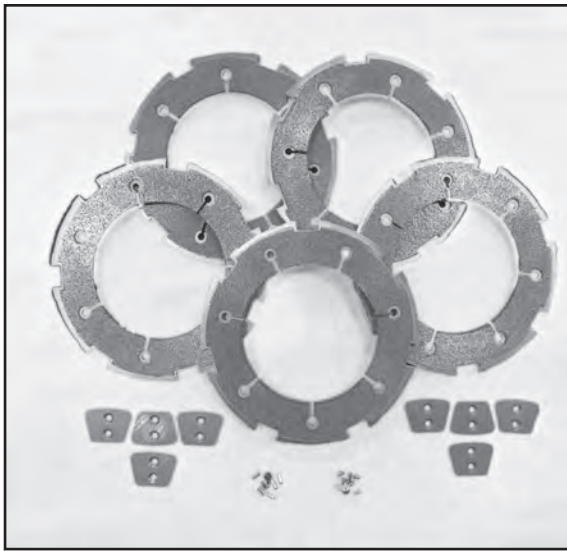
400A (XP)



FAA-PMA APPROVED

Replacement Brake Parts





This Brake Kit fits the following:

Beechcraft Beechjet 400A (XP) when equipped with ABSC brake assembly 5010614

Rapco Fleet Support, Inc. to ABSC Part Number cross-reference:

	Qty	RFS Part PN	ABSC PN	Part Description
RFS-5010614K Hot-Pac Kit Contents	5	RFS1090	5011103	Rotator
	120	RFS3115	5010702	Wear Pad
	24	RFS6B11	GYR6B11	Rivet (BP)
	24	RFS6B6	GYR6B6	Rivet (PP)
	96	RFS6A16	GYR6A16	Rivet (SP)
	5	RFS5010754	5010754	Swage Tube
		RFS2070	5010688	Stationary Disk
		RFS5205	5010717*	Stationary Disc Sub Assy
		RFS4155	5010705	Pressure Plate
		RFS5200	5010718*	Pressure Plate Sub Assy
		RFS5010711	5010711	Swage
		RFS5010704-4	5010704-1	Wheel Key

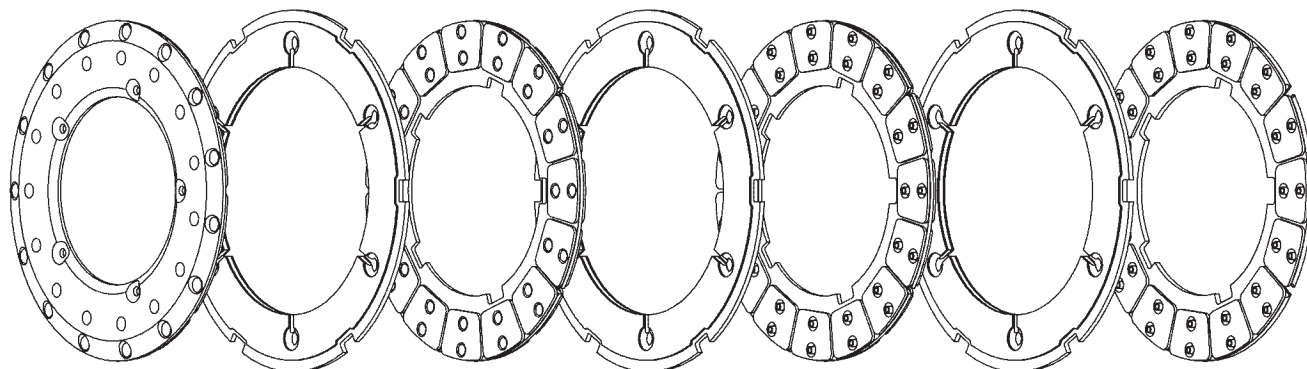
* These parts are sold as a Sub-Assembly with the wear pads already riveted on.

FAA-PMA APPROVED Replacement Brake Parts

For Reference Only. Please refer to individual FAA-PMA Supplements for for Installation Eligibility.

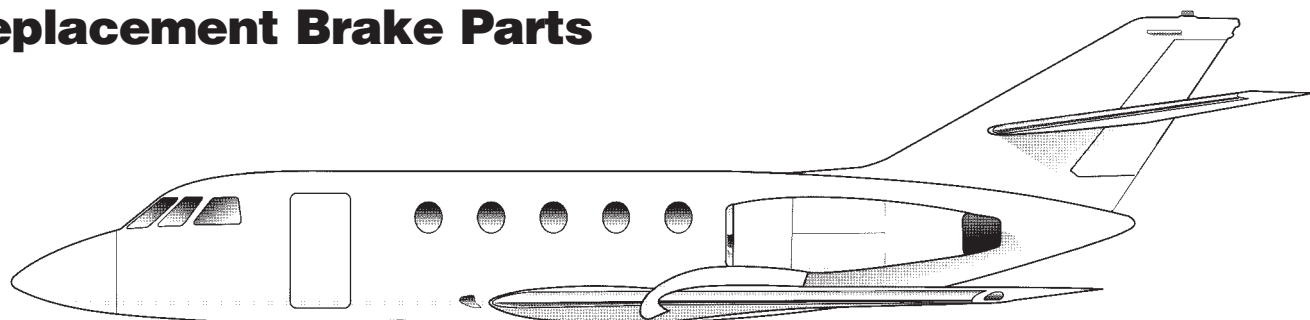
FALCON

20 SERIES



FAA-PMA APPROVED

Replacement Brake Parts





This Brake Kit fits the following:

Dassault Falcon 20 when equipped with Goodyear/ABSC brake assembly 9550504

Rapco Fleet Support, Inc. to ABSC Part Number cross-reference:

	Qty	RFS Part PN	ABSC PN	Part Description
RFS-9550504K Hot-Pac Kit Contents	3	RFS1065	9542927	Rotating Disc
	90	RFS3085	5000207	Wear Pad
	30	RFS18B8	GY18B8	Rivet (Pressure Plate)
	15	RFS18B9	GY18B9	Rivet (Back Plate)
	15	RFS18B16	GY18B16	Rivet (Back Plate)
	60	RFS18A13	GY18A13	Rivet (Stationary Plate)
	1	RFS5110*	5000209	Pressure Plate Sub-assembly
	1	RFS4125	9542647	Pressure Plate
	1	RFS5115*	5000210	Back Plate Sub-assembly
	1	RFS4130	9533959	Back Plate
	2	RFS5120*	5000208	Stationary Disc Sub-assembly
	2	RFS2045	9542648	Stationary Disc

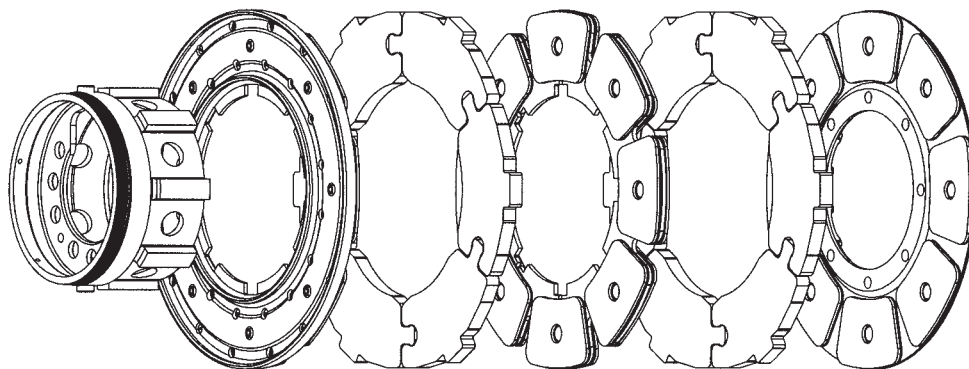
* These parts are sold as a Sub-Assembly with the wear pads already riveted on.

FAA-PMA APPROVED Replacement Brake Parts

For Reference Only. Please refer to individual FAA-PMA Supplements for for Installation Eligibility.

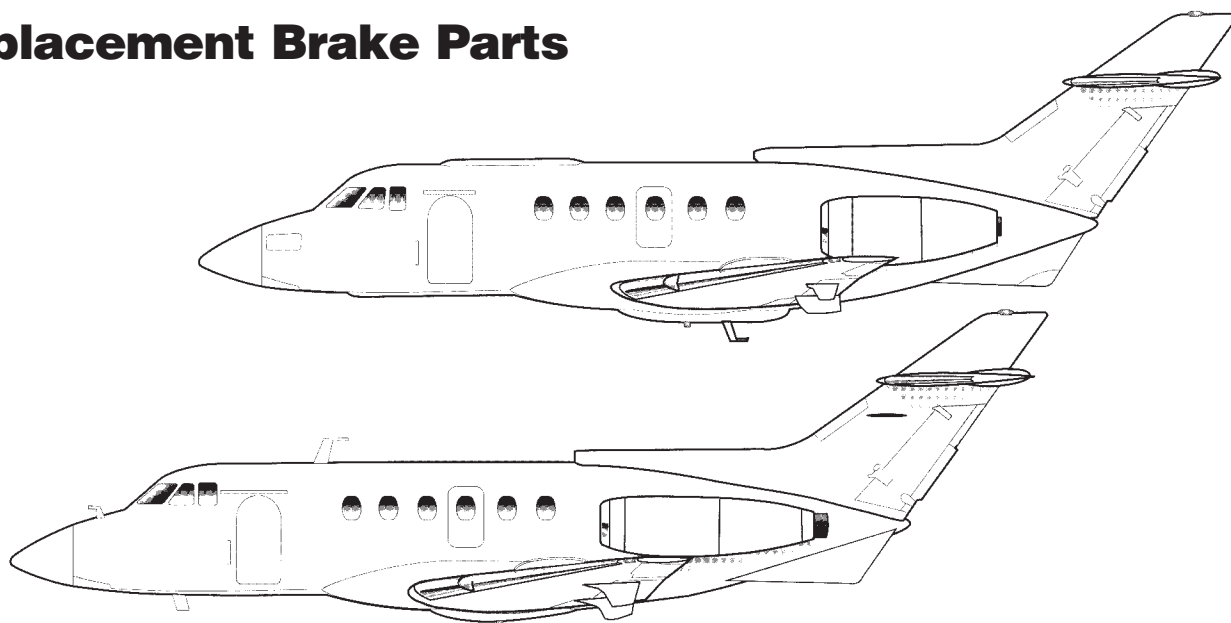
HAWKER

600 & 700



FAA-PMA APPROVED

Replacement Brake Parts





This Brake Kit fits the following:

Hawker 600 & 700 When equipped with Dunlop brake assembly AH52787 and heat stack part number AHO89444.

Rapco Fleet Support, Inc. to Dunlop Part Number cross-reference:

	Qty	RFS Part PN	Dunlop PN	Part Description
RFS-52787K Hot-Pac Kit Contents	12	RFS1060	AHM7129	Rotating Disc Segment
	32	RFS3075	AHO83829-6	Wear Pad
	16	RFS80972-1	AHO80972-1	Rivet, Stationary & Back Plate
	8	RFS80972-3	AHO80972-3	Rivet, Pressure Plate
	16	RFS80972-4	AHO80972-4	Rivet - (used on Galex)
	1	RFS2040	AHM7151	Stationary Disc
	1	RFS4115	AHM8974	Pressure Plate
	1	RFS4116	AHM7152	Pressure Plate (optional)
	1	RFS4120	AHM7127	Back Plate
	1	RFS5095*	AHO85004	Stationary Disc Sub-assembly
	1	RFS5091*	AHO85005/AHO90631	Pressure Plate Sub-assembly
	1	RFS5100*	AHO85003	Back Plate Sub-assembly
	16	RFS6210	AHO83326-7	Bushing, Pressure & Back
	8	RFS6215	AHO83327-4	Bushing, Stationary
	8	RFS6220	AHO82396	Rivet Spacer
	1	RFS5190	AHO85530	Torque Tube

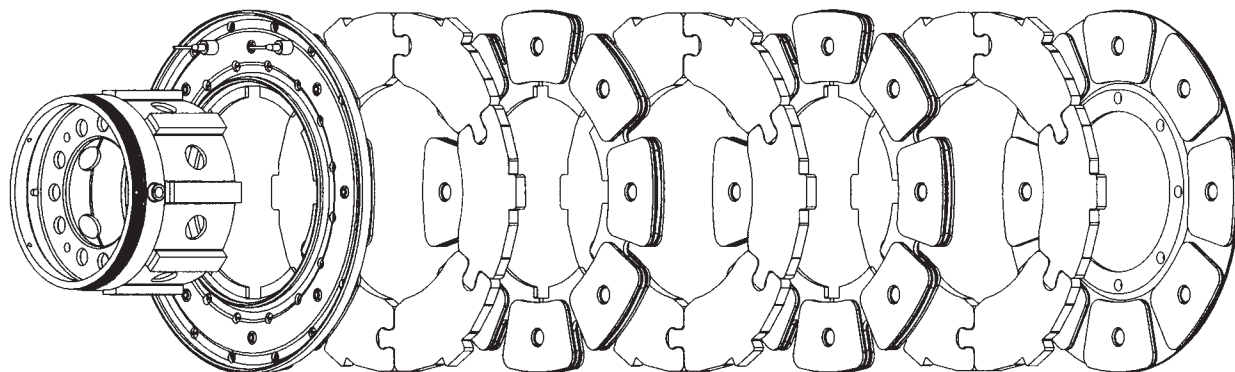
* These parts are sold as a Sub-Assembly with the wear pads already riveted on.

FAA-PMA APPROVED Replacement Brake Parts

For Reference Only. Please refer to individual FAA-PMA Supplements for for Installation Eligibility.

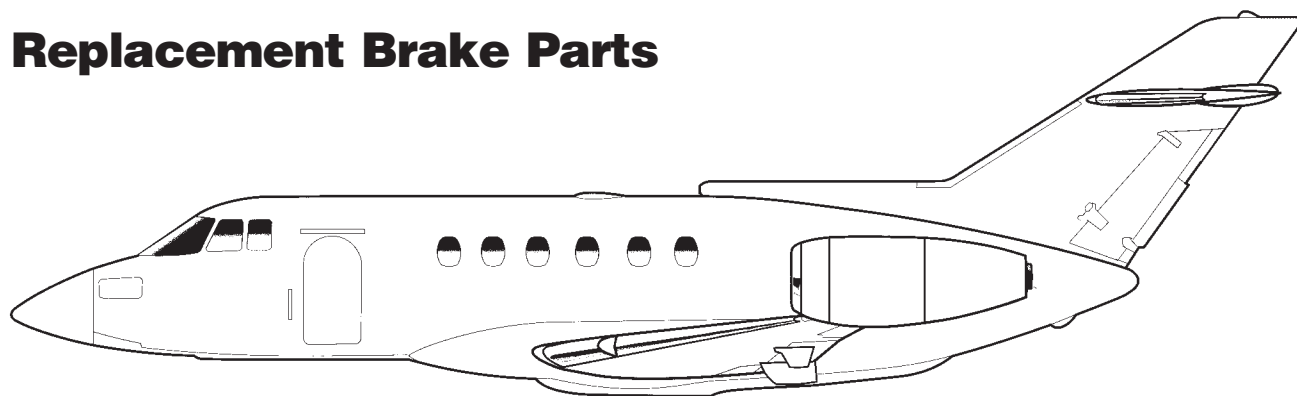
HAWKER

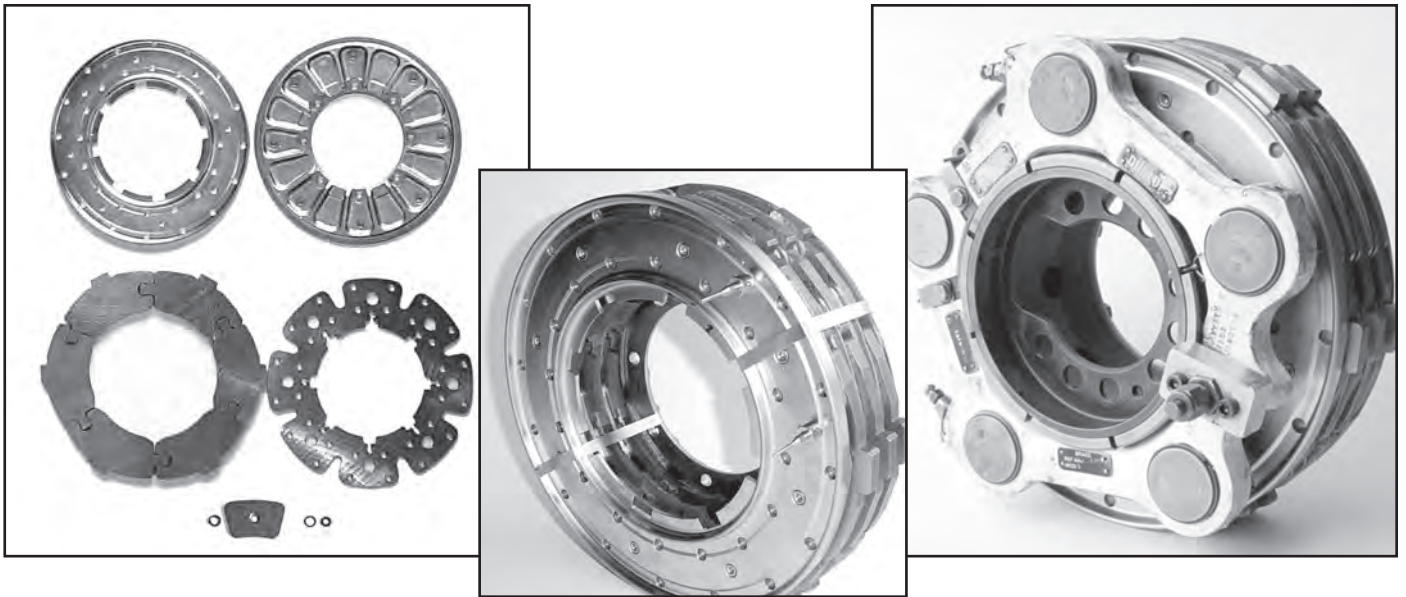
800, 850 & 900



FAA-PMA APPROVED

Replacement Brake Parts





This Brake Kit fits the following:

Hawker 800, 800XP & 850XP When equipped with Dunlop brake assembly AHA1897 and heat stack part number AHO89881.

Rapco Fleet Support, Inc. to Dunlop Part Number cross-reference:

	QTY	RFS Part No.	Dunlop P.N.	Part Description
RFS1897K Hot-Pac Kit Contents	18	RFS1050	AHM9053	Rotating Disc Segment
	48	RFS3075	AHO83829-6	Wear Pad
	24	RFS80972-1	AHO80972-1	Rivet, Stationary & Back Plate
	8	RFS80972-3	AHO80972-3	Rivet, Pressure Plate
	2	RFS6305	AHO89645	Wear Indicator Pin
	2	RFS2040	AHM7151	Stationary Disc
	1	RFS4115	AHM8974	Pressure Plate
	1	RFS4120	AHM7127	Back Plate
	1	RFS5090 *	AHO89880	Pressure Plate Sub-assembly
	2	RFS5095 *	AHO85004	Stationary Disc Sub-assembly
1	RFS5100 *	AHO85003	Back Plate Sub-assembly	
16	RFS6210	AHO83326-7	Bushing, Pressure & Back	
16	RFS6215	AHO83327-4	Bushing, Stationary	
8	RFS6220	AHO82396	Rivet Spacer	
2	RFS6310	AHO89040	Pin Retainer	
1	RFS5185	AHO88453	Torque Tube	

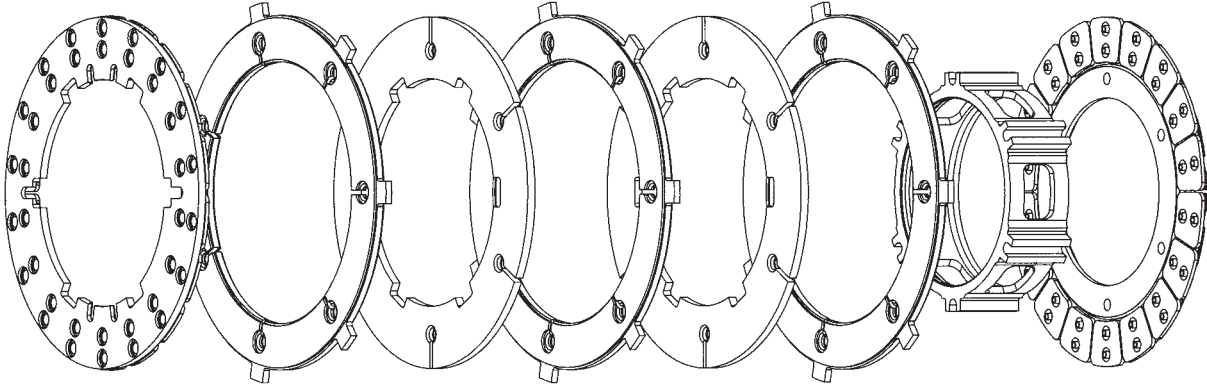
* These parts are sold as a Sub-Assembly with the wear pads already riveted on.

FAA-PMA APPROVED Replacement Brake Parts

For Reference Only. Please refer to individual FAA-PMA Supplements for for Installation Eligibility.

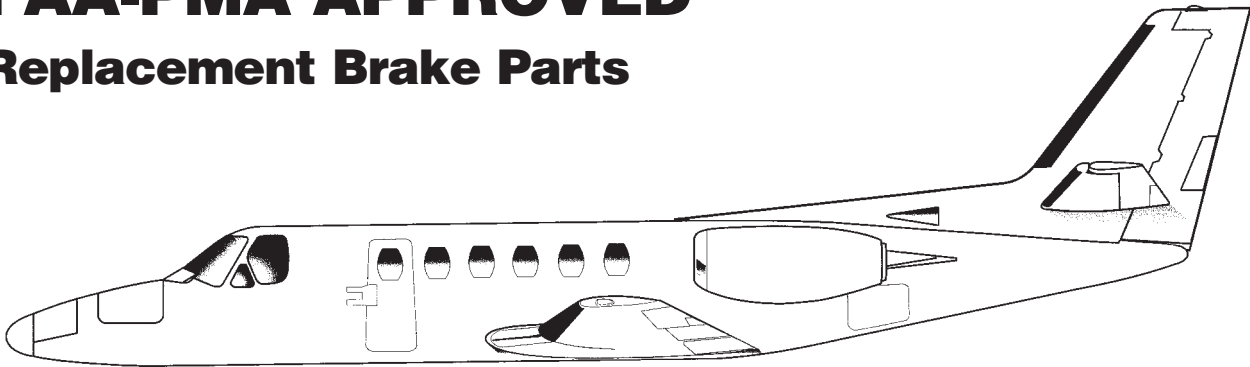
CESSNA CITATION

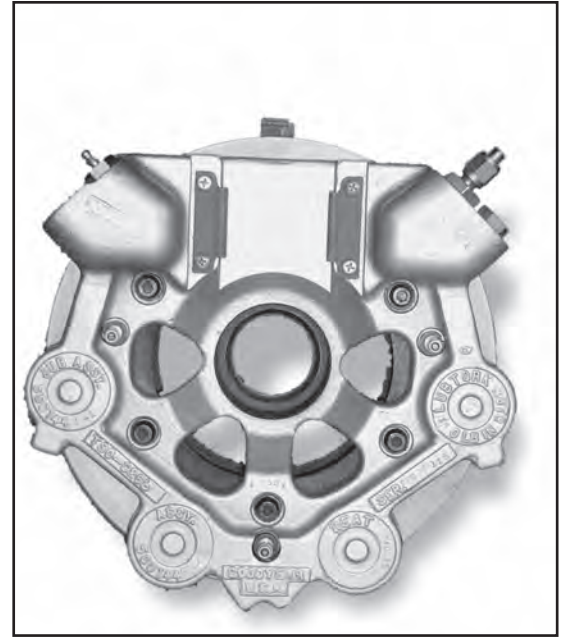
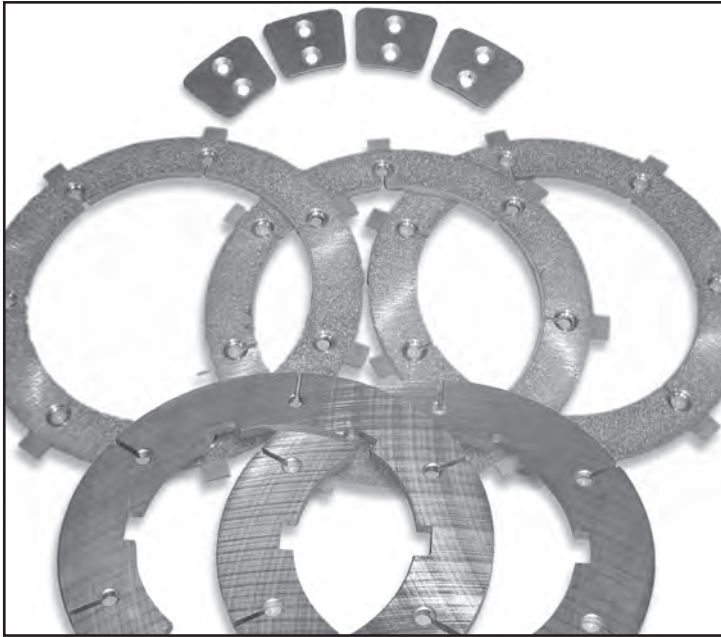
500 & 550



FAA-PMA APPROVED

Replacement Brake Parts





This Brake Kit fits the following:

Cessna Citation models 500 & 550 when equipped with ABS brake assemblies 5001445 series or 5001446 series.

Rapco Fleet Support, Inc. to Goodyear / ABS Part Number cross-reference:

	QTY	RFS Part No.	Goodyear/ ABS P.N.	Part Description
RFS-1446K Hot-Pac Kit Contents	36	RFS3070	5003537	Wear Pad
	18	RFS16B7	GY16B7	Rivet
	18	RFS16B16	GY16B16	Rivet
	3	RFS1045	5003540	Rotating Disc
	2	RFS2035	5003541	Stationary Disc
	36	RFS6B8	GY6B8	Rivet
	3	RFS9523519	9523519	Packing
	1	RFS9523414	9523414	Packing
	6	RFS9525812	9525812	Packing
	6	RFS6125	5003542-1	Piston Insulator
6	RFS6115	5001540	Piston	
1	RFS5060 *	5003538	Back Plate Sub-Assembly	
1	RFS4110	5003539	Back Plate	
1	RFS5065 *	5003536	Pressure Plate Sub-Assembly	
1	RFS4105	5002546	Pressure Plate	
1	RFS6105	5001452	Torque Tube	

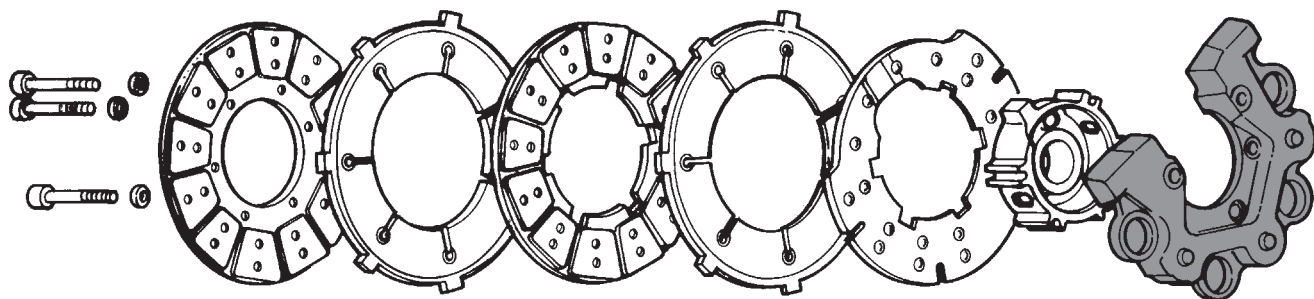
* These parts are sold as a Sub-Assembly with the wear pads already riveted on.

FAA-PMA APPROVED Replacement Brake Parts

For Reference Only. Please refer to individual FAA-PMA Supplements for for Installation Eligibility.

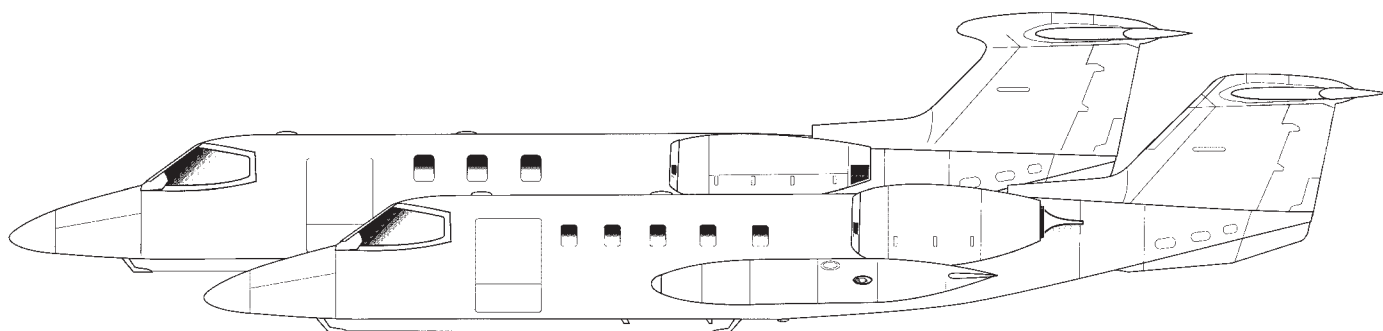
GATES LEARJET

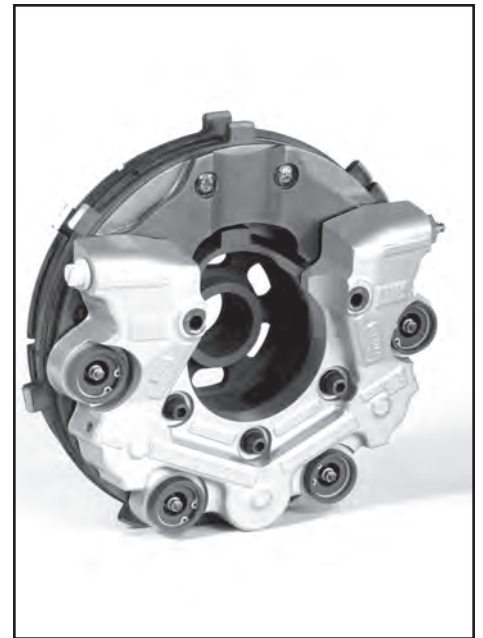
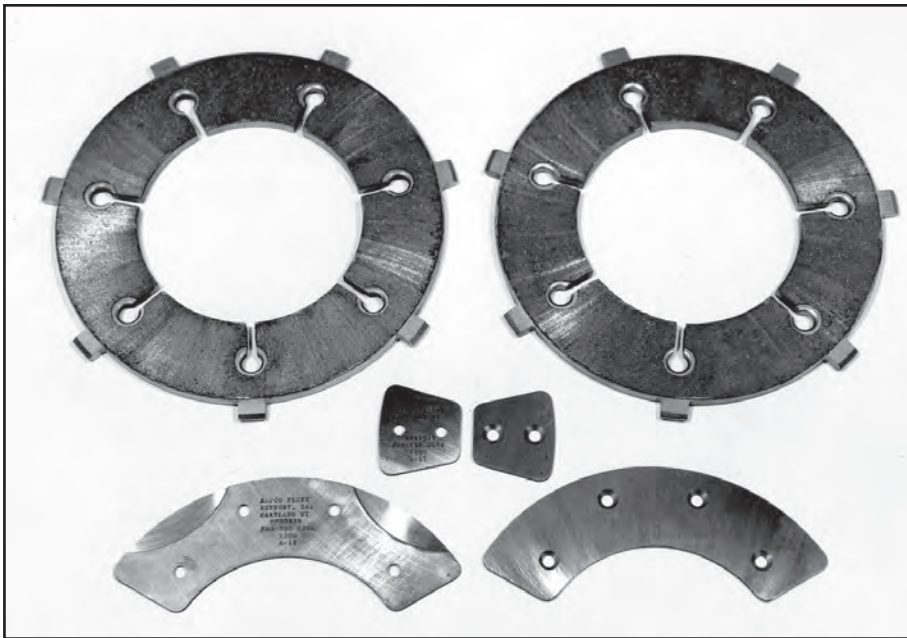
25, 31, 35, 35A, 36, 36A, 55 & 60



FAA-PMA APPROVED

Replacement Brake Parts





This Brake Kit fits the following:

Gates Learjet: 25, 31, 35, 35A, 36, 36A and 55 when equipped with Goodyear / ABS 5003096, 5003096-1, 5003096-3, 5003096-4, or 5003096-6 brake assemblies. Specific application eligibility below.

Rapco Fleet Support, Inc. to Goodyear / ABS Part Number cross reference:

QTY	RFS Part No.	Goodyear/ ABS P.N.	Part Description	Application Eligibility
2	RFS6425	5006425	Rotating Disc	25,31,35,35A & 36A
44	RFS6029	5006029	Wear Pad	25,31,35,35A & 36A
1	RFS5119	5005119	Wear Pad	25,31,35,35A & 36A
24	RFS18A15	GY18A-15	Rivet	25,31,35,35A & 36A
12	RFS18B7	GY18B-7	Rivet	25,31,35,35A & 36A
20	RFS18B9	GY18B-9	Rivet	25,31,35,35A & 36A
12	RFS18B15	GY18B-15	Rivet	25,31,35,35A & 36A
4	RFS5011319	5011319	Swage Tube	25,35,35A,36,36A, 55 & 60
1	RFS4090	5005118	Pressure Plate	25,31,35,35A,36,36A & 55
1	RFS4095	9536254	Stationary Disk	25,31,35,35A,36,36A & 55
1	RFS4100	9536256	Back Plate	25,31,35,35A,36,36A & 55
1	RFS5070 *	9544027	Back Plate Sub Assy	25,31,35,35A,36,36A & 55
1	RFS5075 *	9544028	Stationary Disc Sub Assy	25,31,35,35A,36,36A & 55
1	RFS5080 *	5005117-1	Pressure Plate Sub Assy	25,31,35,35A,36,36A & 55
1	RFS5006905	5006905	Torque Tube	25,35,35A,36,36A & 55
5	RFS6140	9536273	Piston	25,35,35A,36,36A, 55 & 60
4	RFS5010711	5010711	Swage	25,35,35A,36,36A, 55 & 60

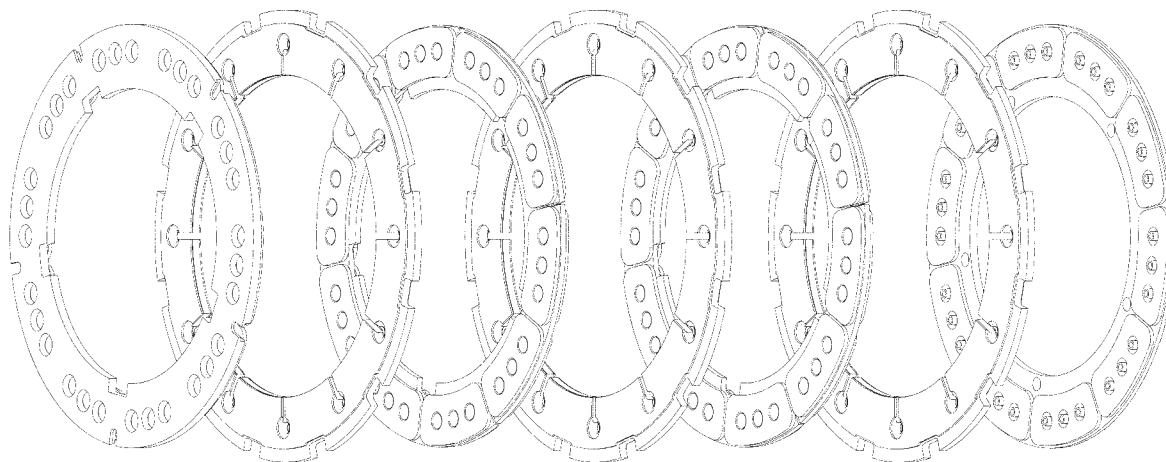
* These parts are sold as a Sub-Assembly with the wear pads already riveted on. *

FAA-PMA APPROVED Replacement Brake Parts

For Reference Only. Please refer to individual FAA-PMA Supplements for for Installation Eligibility.

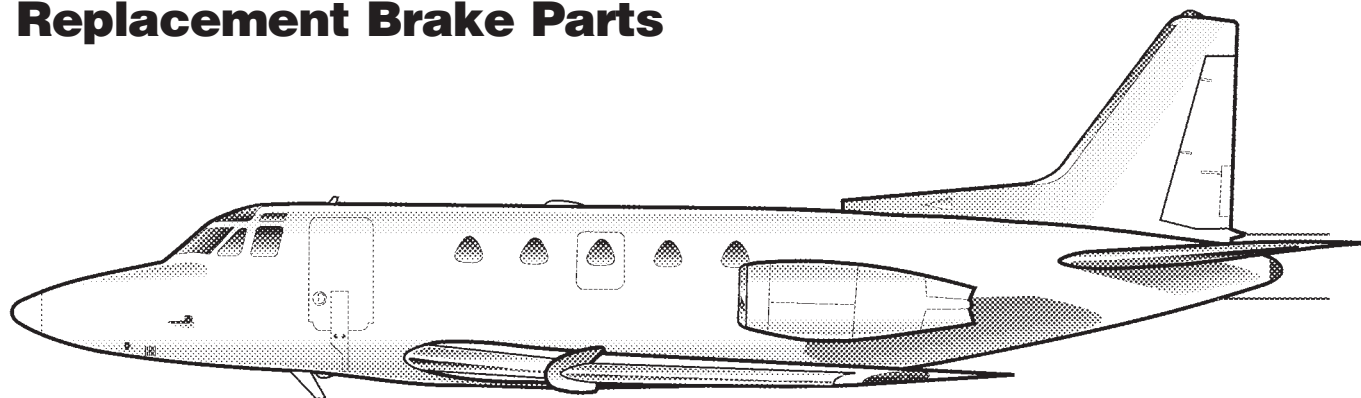
SABRELINER

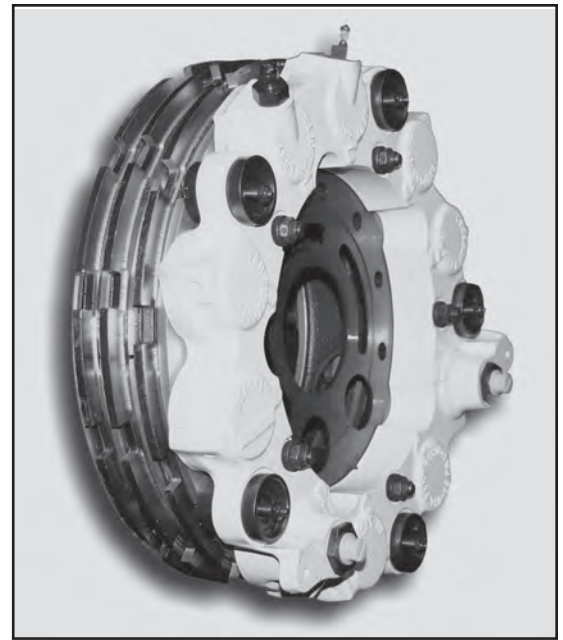
40, 60 & 65**



FAA-PMA APPROVED

Replacement Brake Parts





This Brake Kit fits the following:

Sabreliner 40 & 60 when equipped with Goodyear/ABS brake assembly 9550338 series.

Rapco Fleet Support, Inc. to Goodyear / ABS Part Number cross-reference:

	QTY	RFS Part No.	Goodyear/ ABS P.N.	Part Description
RFS-9550338K Hot-Pac Kit Contents	3	RFS1055	5002531	Rotating Disc
	60	RFS3090	5003956	Wear Pad**
	60	RFS8A18	GYR8A18	Rivet (Stationary)**
	60	RFS18B9	GYR18B9	Rivet (Pressure & Back)**
	1	RFS5175*	5003958	Pressure Plate Sub-assembly*
	1	RFS4150	5002758	Pressure Plate**
	2	RFS5125*	5003957	Stationary Disc Sub-assembly*
	2	RFS2050	5002756	Stationary Disc**

* These parts are sold as a Sub-Assembly with the wear pads already riveted on.

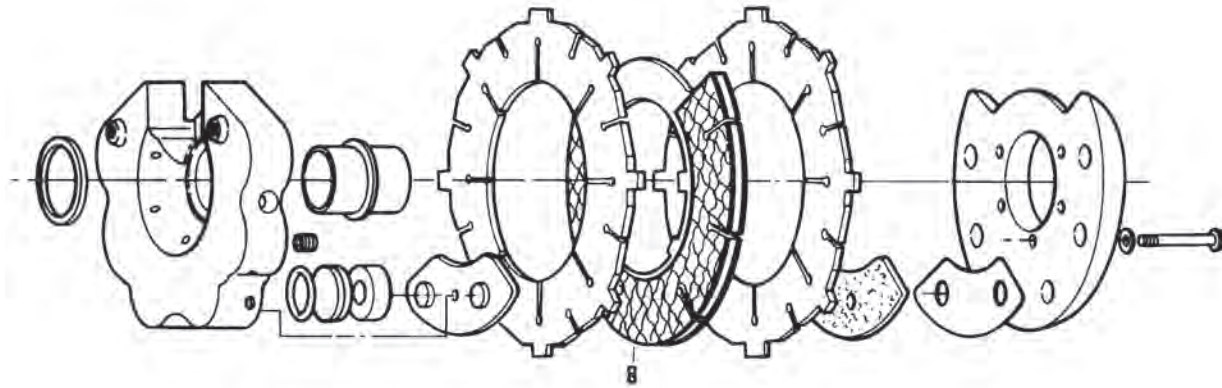
** Also approved for the Sabre 65

FAA-PMA APPROVED Replacement Brake Parts

For Reference Only. Please refer to individual FAA-PMA Supplements for for Installation Eligibility.

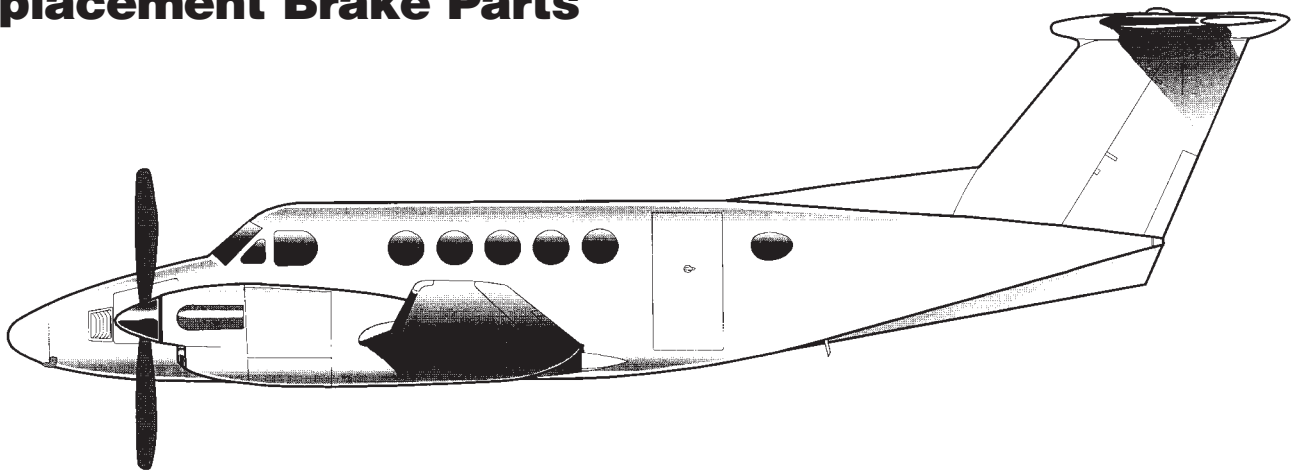
BEECH SUPER KING AIR

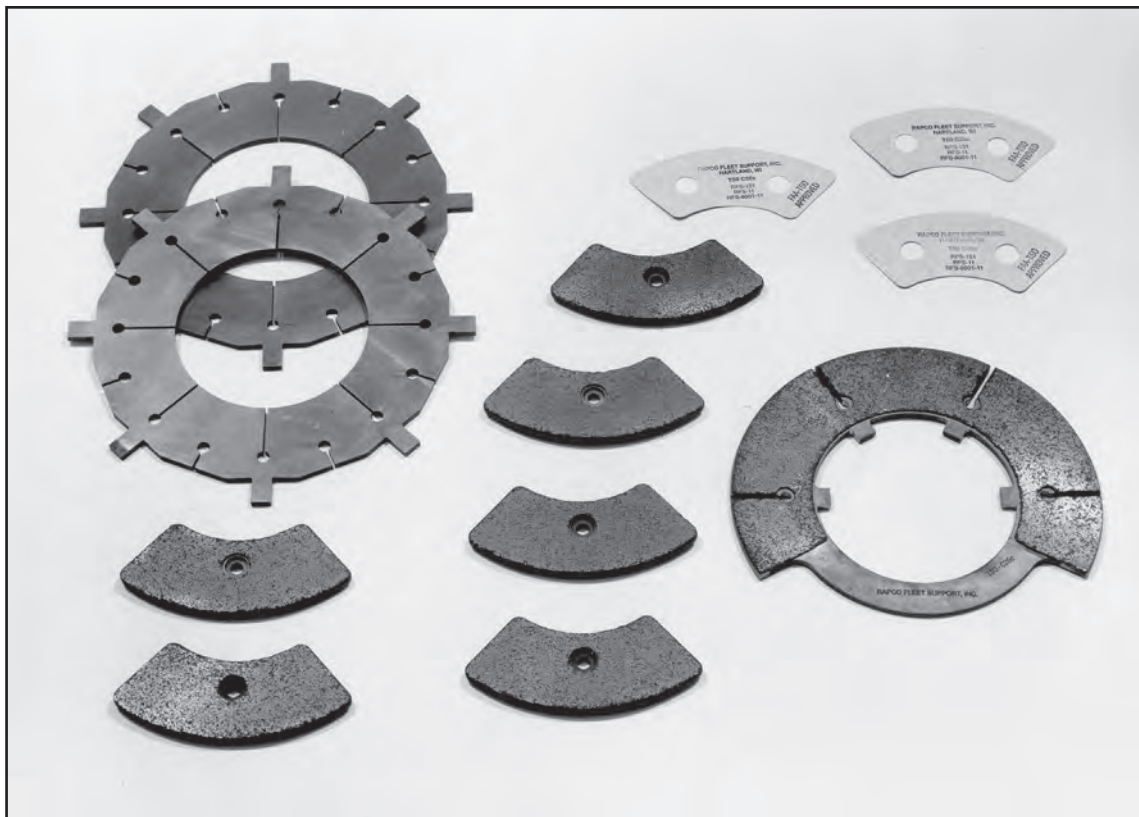
200, 300 & 350



FAA-PMA APPROVED

Replacement Brake Parts





This Brake Kit fits the following:

Beech: King Air 200, 300 & 350 when equipped with B.F.G. P.N. 2-1576 or Beech P.N.'s 101-8001-9, 101-380096-1 or 101-8001-91 brake assemblies.

Rapco Fleet Support, Inc. to B.F. Goodrich and Beech Part Number cross reference:

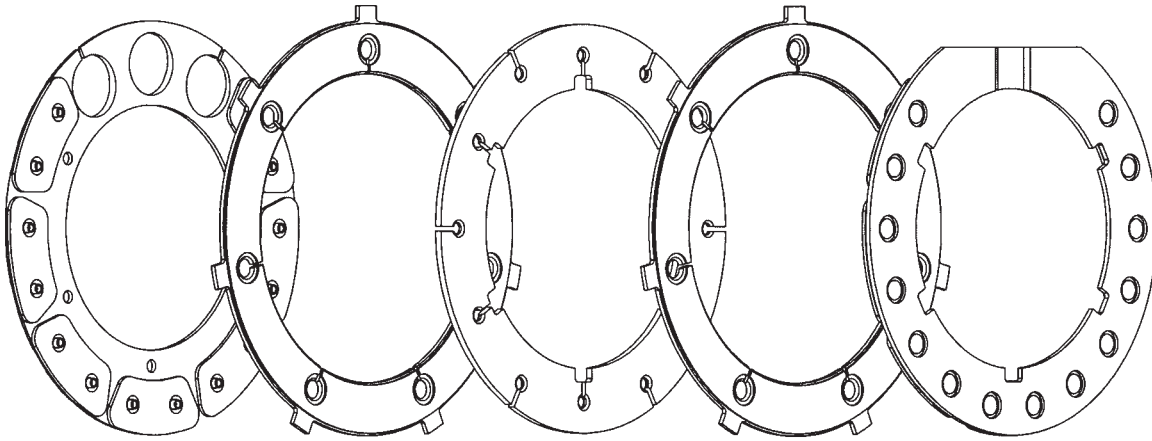
	QTY	R.F.S. Part No.	B.F.G. Part No. 101 Series	B.F.G. Part No. 2-1576	Beech Part No.	Part Description
RFS-15K Hot-Pac Kit Contents	6	RFS207-111	342-93	342-144	101-8001-111	Wear Pad
	1	RFS-27	244-416	244-669	101-8001-27	Stationary Disc
	2	RFS-15	133-420	133-1097	101-8001-15	Rotating Disc
	3	RFS-151	115-151	115-151-2	115-8001-11	Insulator (Lining)
	1	RFS63-501	63-501	63-501		Cinch Nut
	1	RFS6375	74-645	74-645	101-8001-19	Piston
	3	RFS101-8001-97	54-377	54-377	101-8001-97	Adjuster Sleeve
	6	RFS115-210-2	115-210-2	115-210-2		Piston Insulator
		RFS259-80	259-80	259-80		Wheel Key

FAA-PMA APPROVED Replacement Brake Parts

For Reference Only. Please refer to individual FAA-PMA Supplements for for Installation Eligibility.

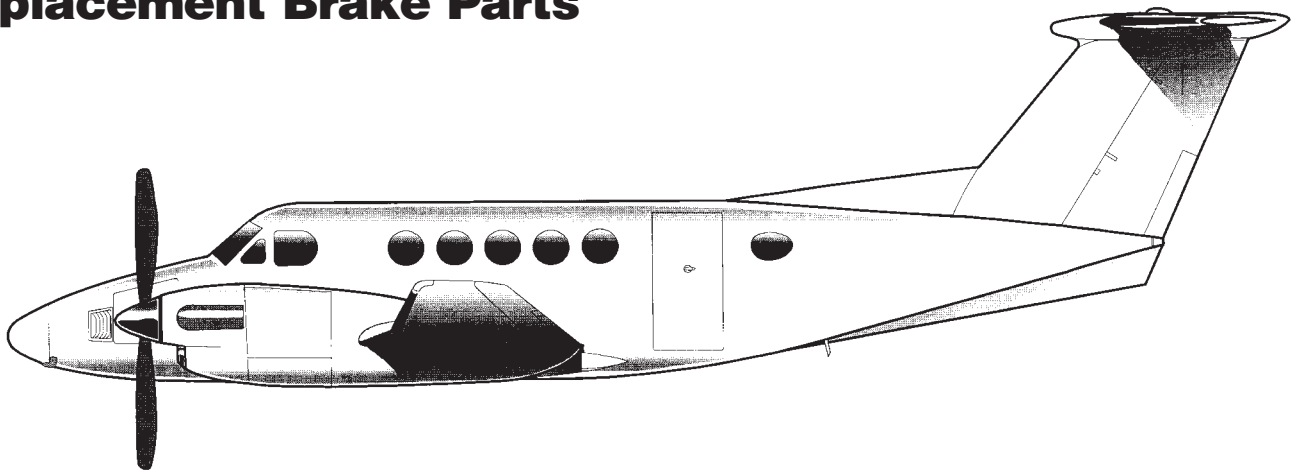
HIGH FLOAT BEECH SUPER KING AIR

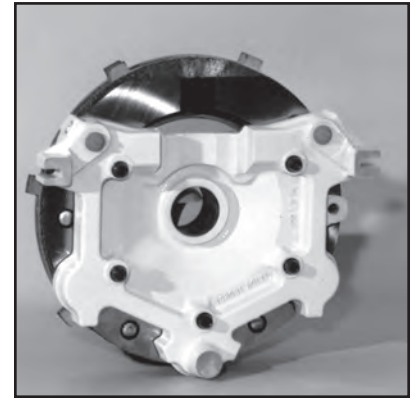
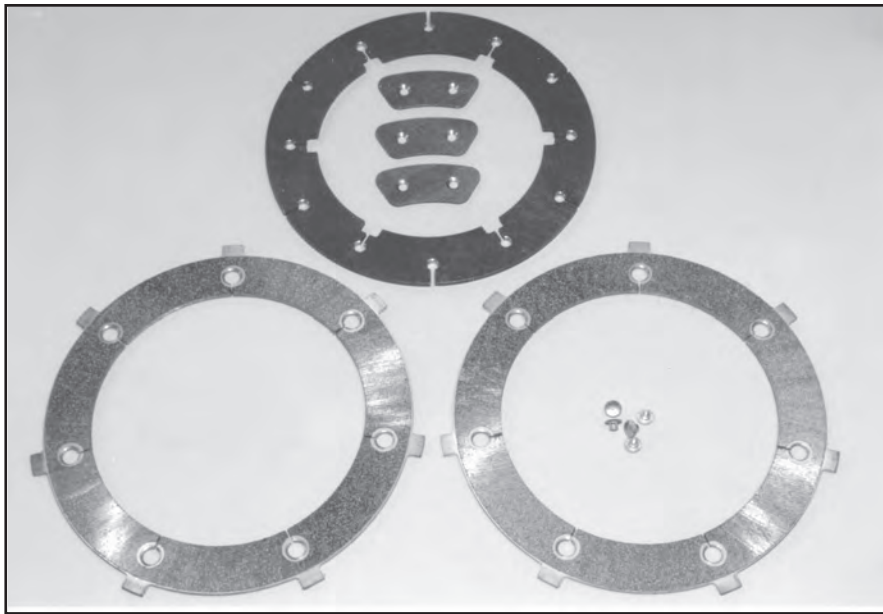
200 SERIES



FAA-PMA APPROVED

Replacement Brake Parts





This Brake Kit fits the following:

Beech: 200 series aircraft equipped with ABS brake assembly 5002256 or Beech part number 101-8002-3.

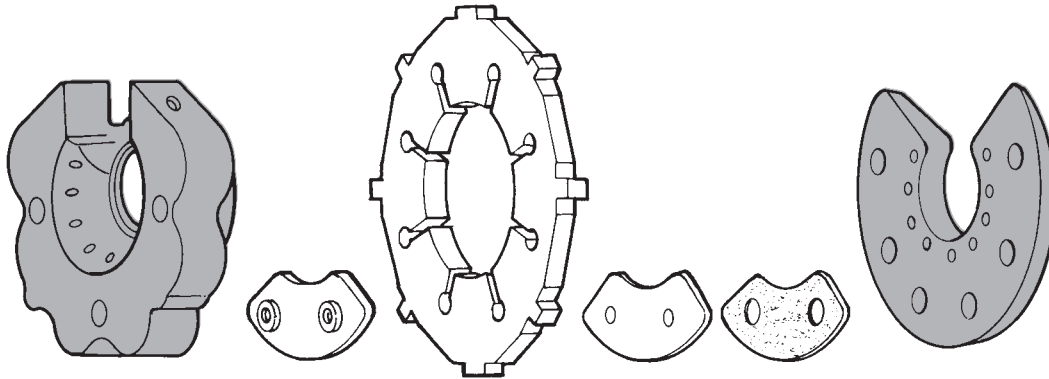
Rapco Fleet Support, Inc. to ABS and Beech Part Number cross reference:

	QTY	R.F.S. Part No.	ABS Part No.	Beech Part No.	Part Description
RFS-2256K Hot-Pac Kit Contents	2	RFS1030	5002260	101-8002-13	Rotating Disc
	1	RFS2015	5002259	101-8002-15	Stationary Disc
	14	RFS3030	5002105	101-8002-33	Wear Pad
	28	RFS18B7	GY18B7		Rivet
	1	RFS4055	5002258		Pressure Plate
	1	RFS4050	5002262		Back Plate
	1	RFS5050*	5002261	101-8002-11	Back Plate Sub Assembly
	1	RFS5055*	5002257	101-8002-17	Pressure Plate Sub Assy
	1	RFS6370	9536788	99-8003-25	Piston

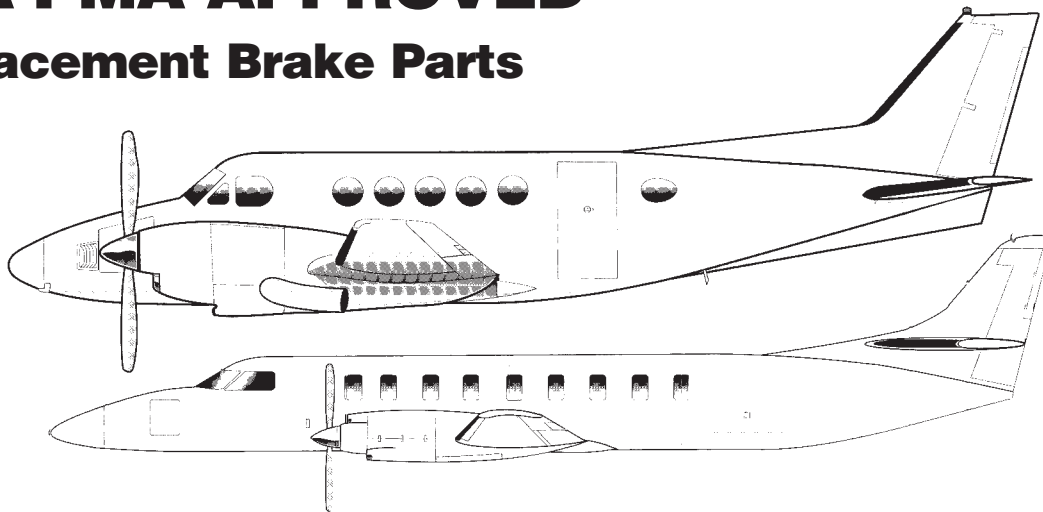
FAA-PMA APPROVED Replacement Brake Parts

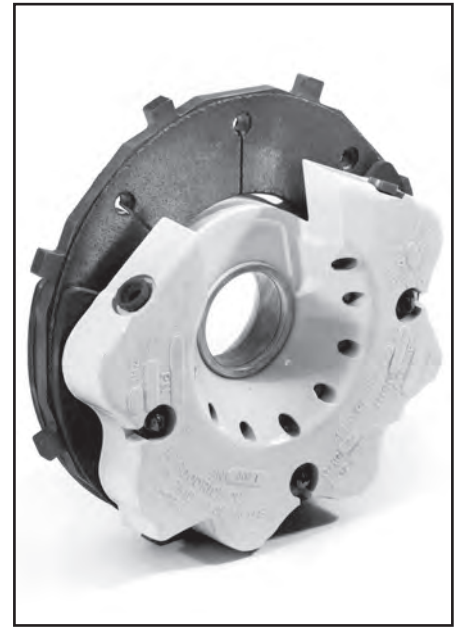
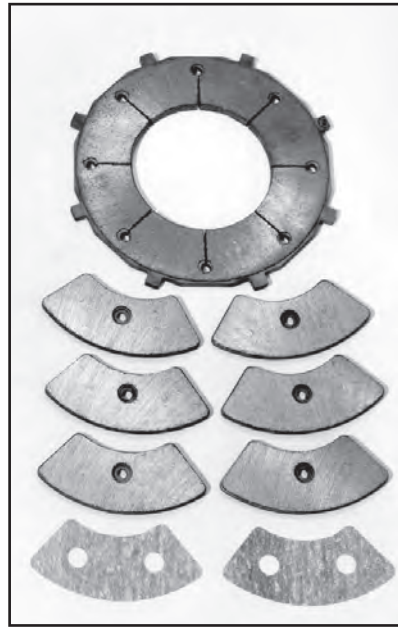
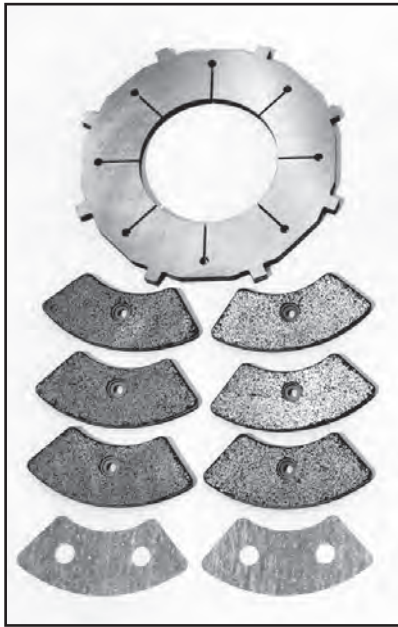
For Reference Only. Please refer to individual FAA-PMA Supplements for for Installation Eligibility.

BEECH 99 AIRLINERS, KING AIRS AND FAIRCHILD METROS



FAA-PMA APPROVED
Replacement Brake Parts





This Brake Kit fits the following:

Beech: B99, 99A, A99, A99A and C99 Airliner; King Air F90, 100, A100, and B100 when equipped with Beech 115-8001-3 brake assemblies or BFG Brake part number 2-1573.

Fairchild: Metro II, Metro III when equipped with B.F. Goodrich 2-1203 series brakes.

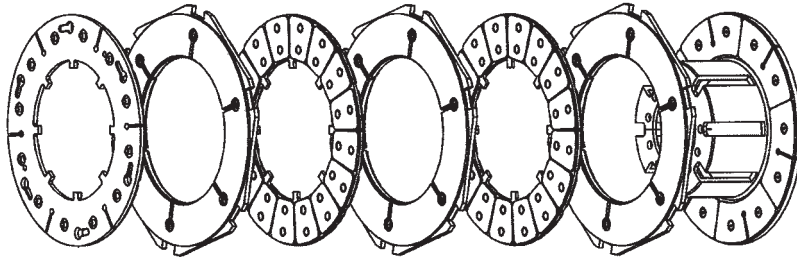
Rapco Fleet Support, Inc. to B.F. Goodrich and Beech Part Number cross reference:

	QTY	R.F.S. Part No.	B.F.G. Part No.	Beech Part No.	Part Description
RFS-2587K Hot-Pac Kit Contents	6	RFS207-4	342-24, 342-143	115-8001-7	Wear Pad
	1	RFS2587	133-268, 133-1099	115-8001-15	Rotating Disc
RFS1587K Hot-Pac Kit Contents	6	RFS207-9	342-89		Wear Pad
	1	RFS1587	244-528		Rotating Disc
	6	RFS68-1132	68-1132		O Ring
	3	RFS-151	115-151-2	115-8001-11	Insulator (Lining)
	3	RFS20-291	20-291		Pin
	3	RFS40-387	40-387		Spring
	6	RFS6380	74-533	115-8001-21	Piston

FAA-PMA APPROVED Replacement Brake Parts

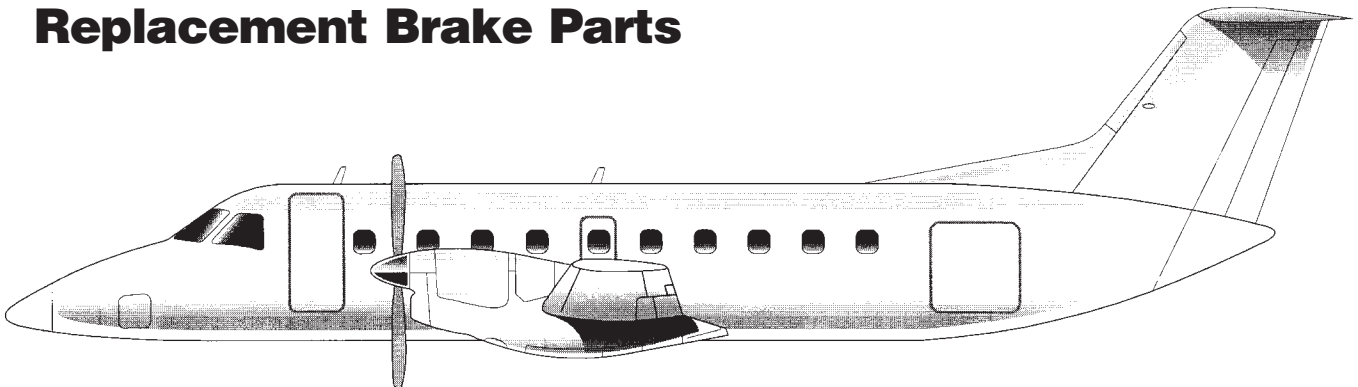
For Reference Only. Please refer to individual FAA-PMA Supplements for for Installation Eligibility.

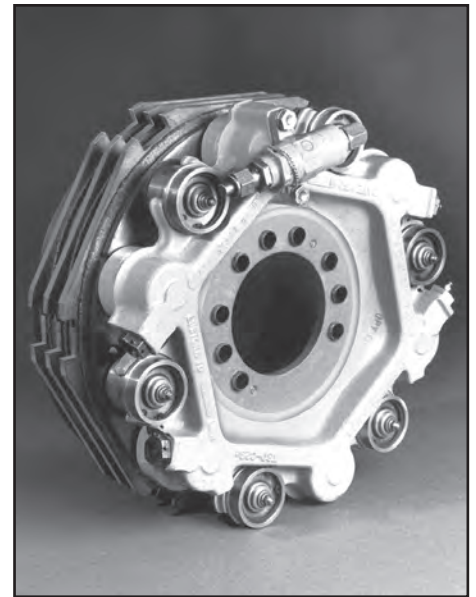
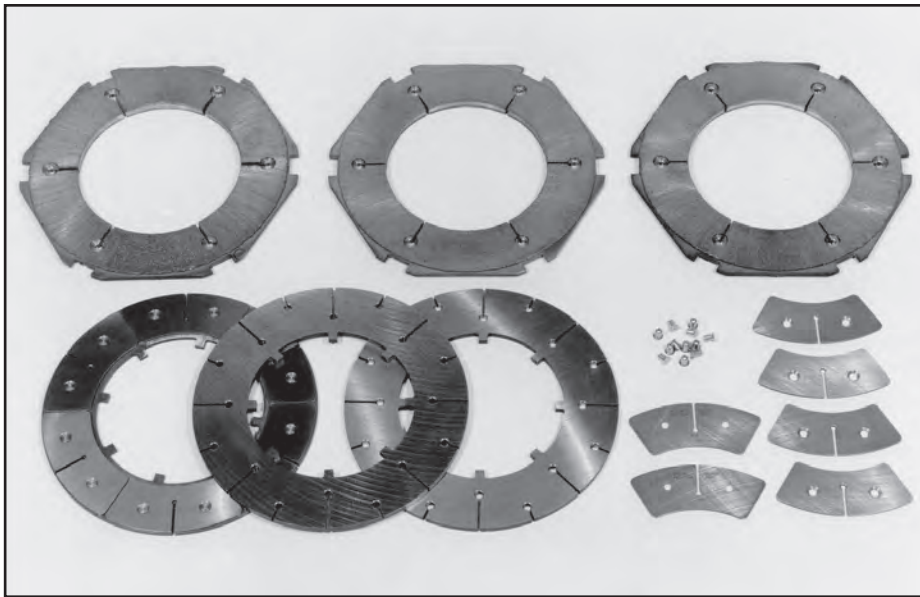
EMBRAER EMB-120 AIRLINER



2-1661 Brake

FAA-PMA APPROVED
Replacement Brake Parts





The Brake Kit fits the following:

RFS-1661K Embraer: EMB-120ER & EMB-120RT Aircraft equipped with B.F. Goodrich P.N. 2-1661, 2-1585 & 2-1479 series brakes.

Rapco Fleet Support, Inc. to B.F. Goodrich Part Number cross reference:

	QTY	RFS, Inc. Part No.	B.F. Goodrich Part No.	Part Description
			2-1661 ¹	
RFS1661K Hot-Pac Kit Contents	3	RFS1015-1	244-742	Rotating Disc
	2	RFS5155	133-1317	Stationary Disc Assembly
	12	RFS3010	93-1013	Wear Pad
	24	RFS78-364	78-364	Rivet
	1	RFS5020 *	541-45	Pressure Plate Assembly
	1	RFS4020 ^	93-1014	Pressure Plate
	6	RFS6570	54-413	Sleeve

¹ CAUTION: Do not mix these brake friction components with those of another manufacturer or other EMB120 RFS "Hot Pac" kits.

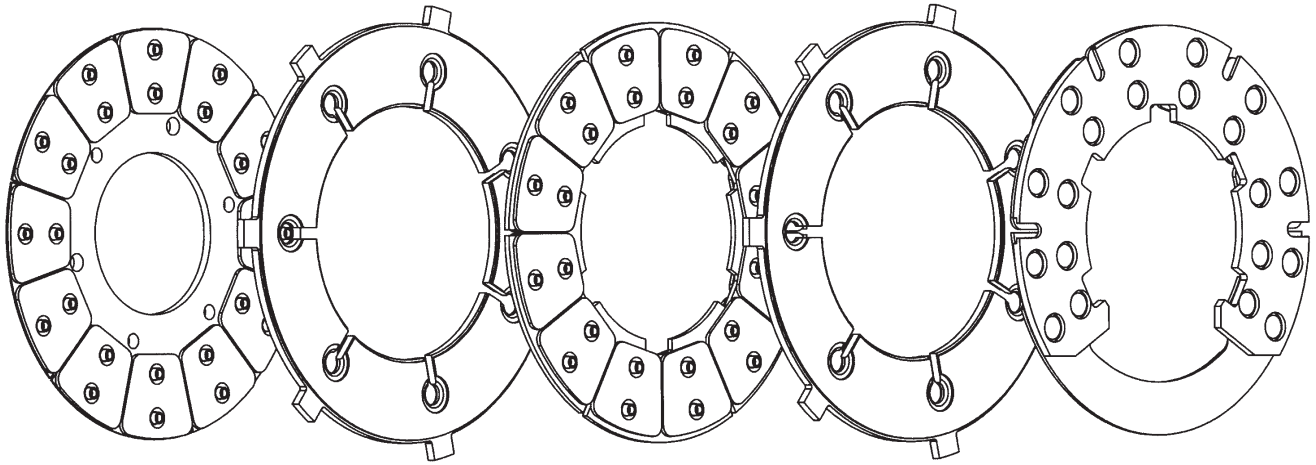
* These parts are sold as a Sub-Assembly with the RFS3010 Wear Pads already riveted on and is not included in the "Hot Pac" Kit.

^ This item is not included in the "Hot Pac" Kit.

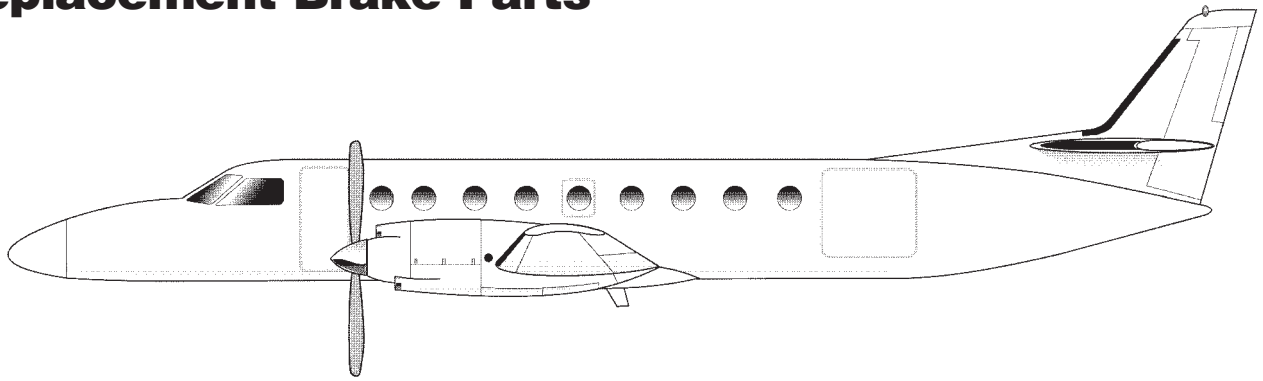
FAA-PMA APPROVED Replacement Brake Parts

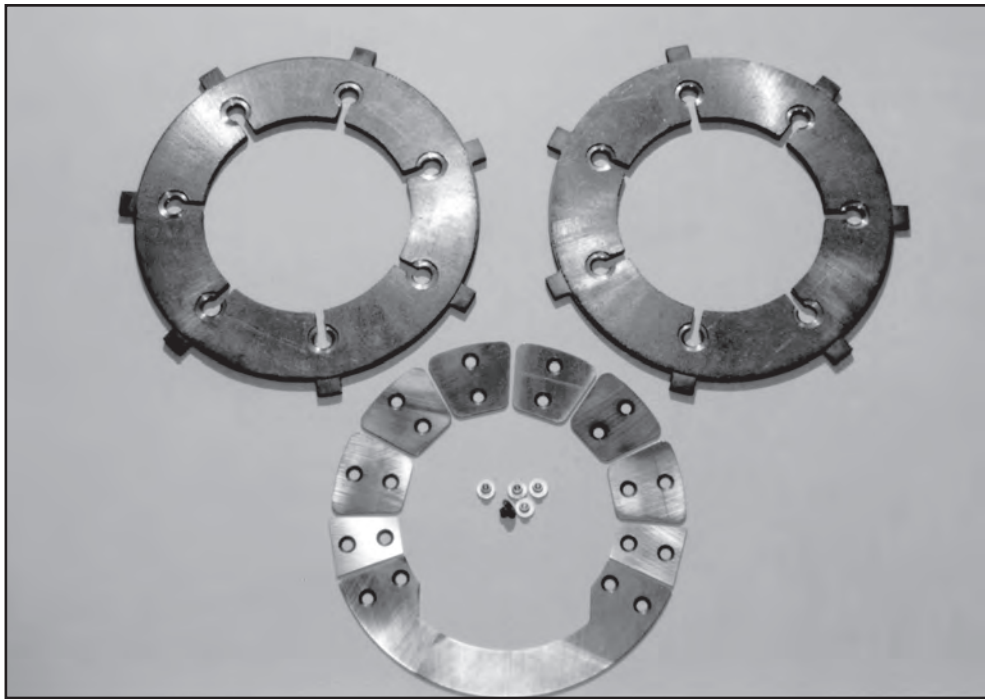
For Reference Only. Please refer to individual FAA-PMA Supplements for for Installation Eligibility.

HIGH GROSS FAIRCHILD METROS



FAA-PMA APPROVED
Replacement Brake Parts





This Brake Kit fits the following:

Fairchild SA227 series equipped with ABS brake assembly series 5007396 & 5011640.

Rapco Fleet Support, Inc. to ABS Part Number cross reference:

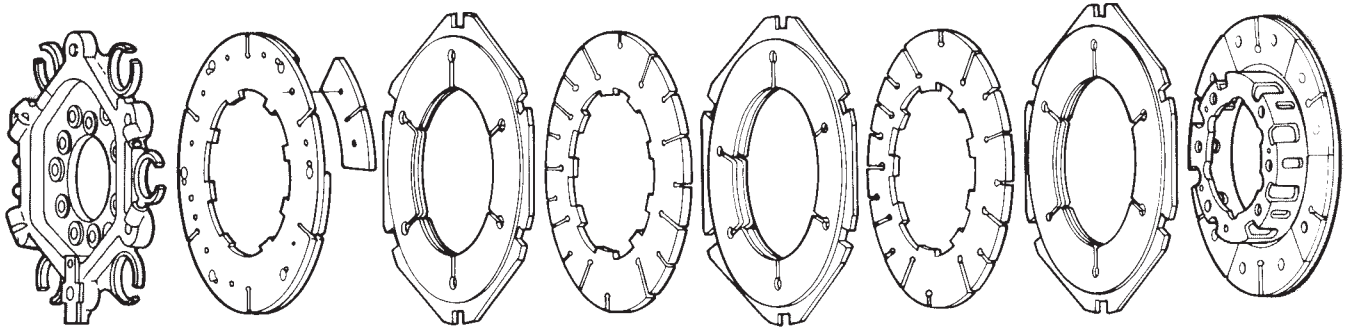
	QTY	R.F.S. Part No.	ABS Part No.	Part Description
RFS-1640K Hot-Pac Kit Contents	2	RFS1025	5011639 or 5007424	Rotating Disc
	2	RFS3020	5007440	Wear pad
	1	RFS3015	5007441	Wear pad
	42	RFS3025	5007439	Wear pad
	20	RFS8B7	GYR8B-7	Rivet
	24	RFS8A15	GYR8A-15	Rivet
	12	RFS18B14	GYR18B-14	Rivet
	12	RFS8B3	GYR8B-3	Rivet
	1	RFS4035	5007426	Pressure Plate
	1	RFS4040	5007425	Stationary Disc
	1	RFS4045	5007436	Back Plate
	1	RFS5025*	5007442	Pressure Plate Sub Assembly
	1	RFS5030*	5007450	Stationary Disc Sub Assembly
	1	RFS5035*	5007444	Back Plate Sub Assembly
	1	RFS6405	5007427	Torque Tube
	1	RFS6365	9535041	Piston

* These parts are sold as a sub assembly with the wear pads already riveted on.

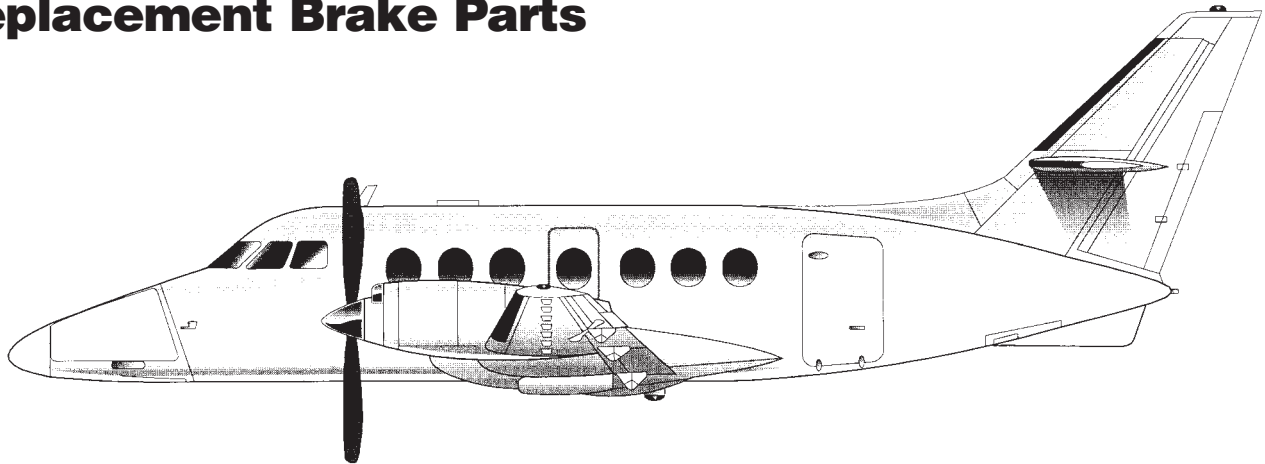
FAA-PMA APPROVED Replacement Brake Parts

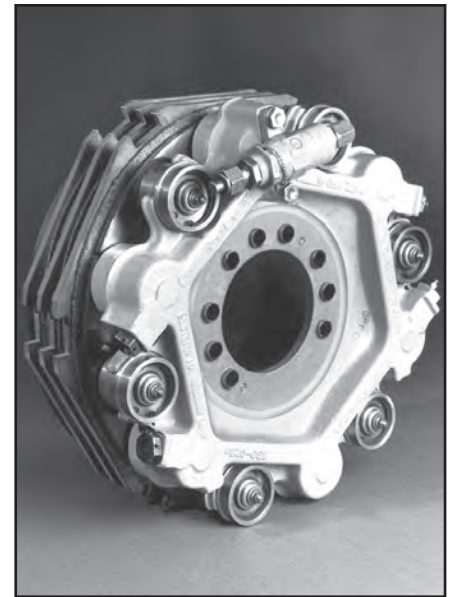
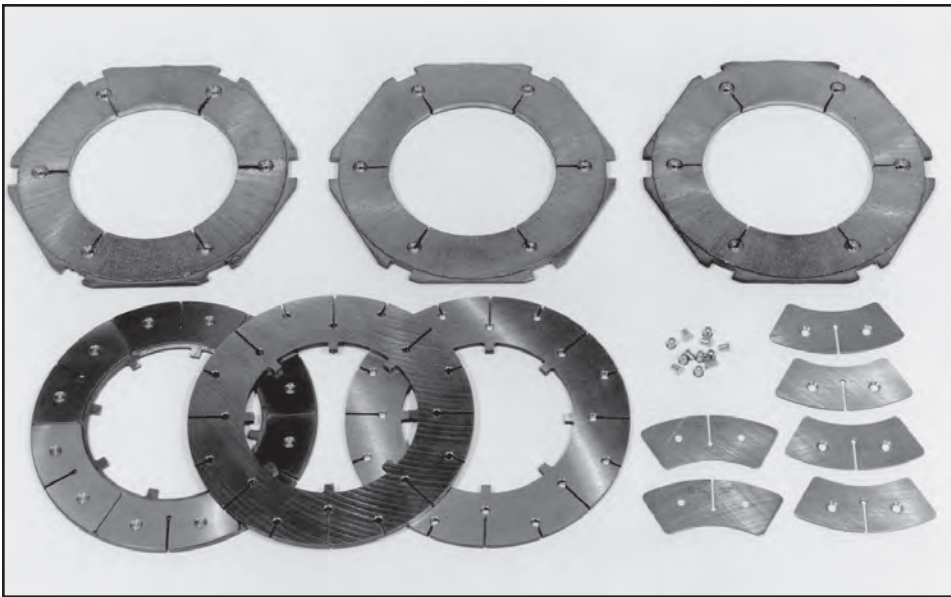
For Reference Only. Please refer to individual FAA-PMA Supplements for for Installation Eligibility.

BAE JETSTREAM J31 AIRLINER



FAA-PMA APPROVED
Replacement Brake Parts





This Brake Kit fits the following:

Aerospace Jetstream: J-3101 equipped with B.F. Goodrich P.N. 2-1522-1 series brakes.

Rapco Fleet Support, Inc. to B.F. Goodrich Part Number cross reference:

	QTY	RFS Part No.	B.F.G. Part No.	Part Description
RFS1522K Hot-Pac Kit Contents	3	RFS1010	244-594	Rotating Disc
	2	RFS2005	133-593-1	Stationary Disc
	12	RFS3010	93-438	Wear Pad
	24	RFS78-135	78-135	Rivet
	1	RFS5020*	309-21-3	Pressure Plate Assy
	1	RFS4020	93-770-3	Pressure Plate
	6	RFS6555	54-392	Sleeve

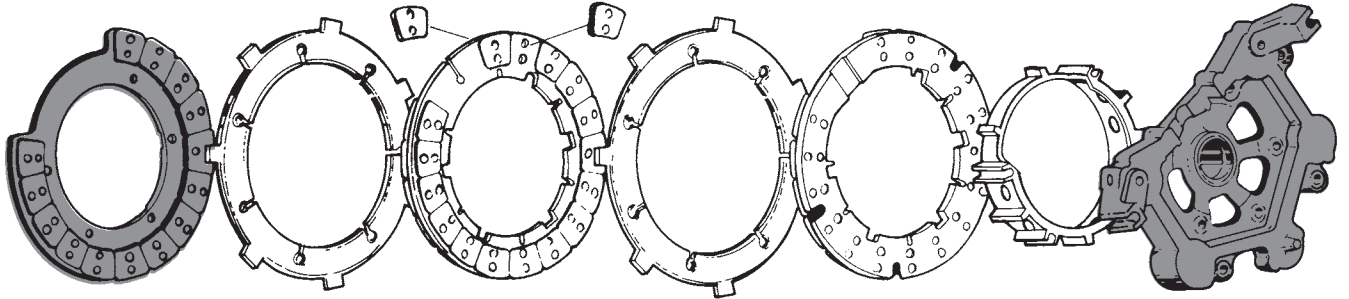
* These parts are sold as a Sub-Assembly with the RFS3010 Wear Pads already riveted on.

FAA-PMA APPROVED Replacement Brake Parts

For Reference Only. Please refer to individual FAA-PMA Supplements for for Installation Eligibility.

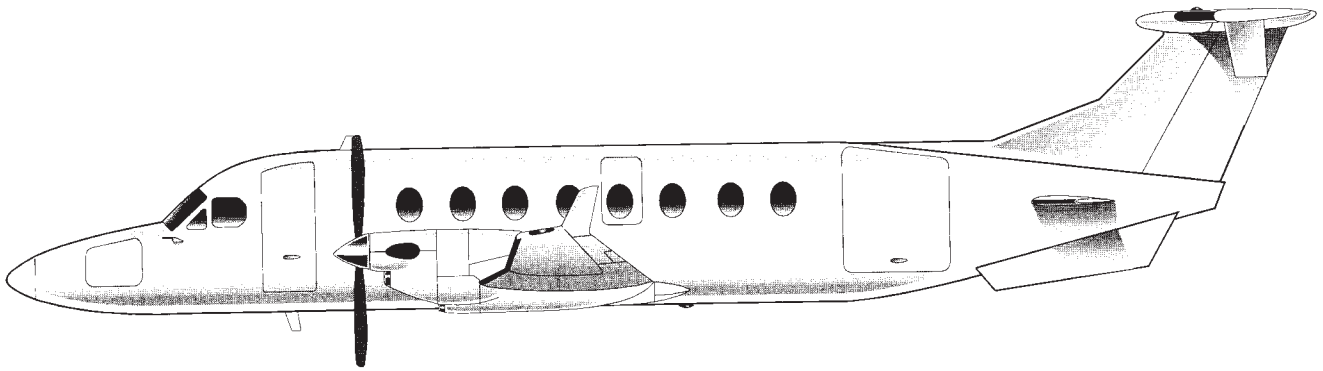
BEECHCRAFT 1900

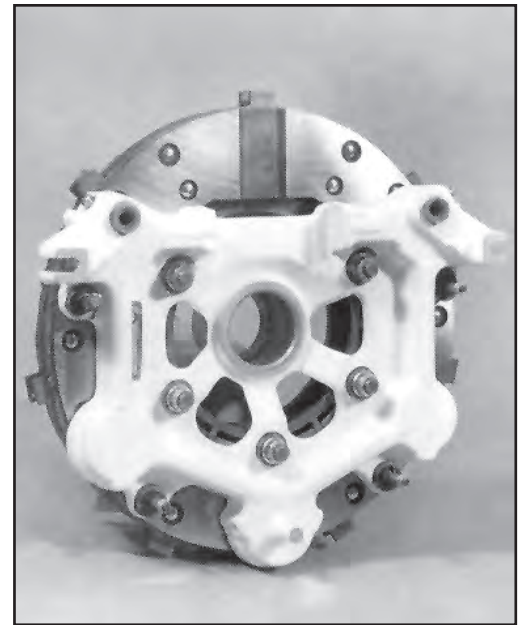
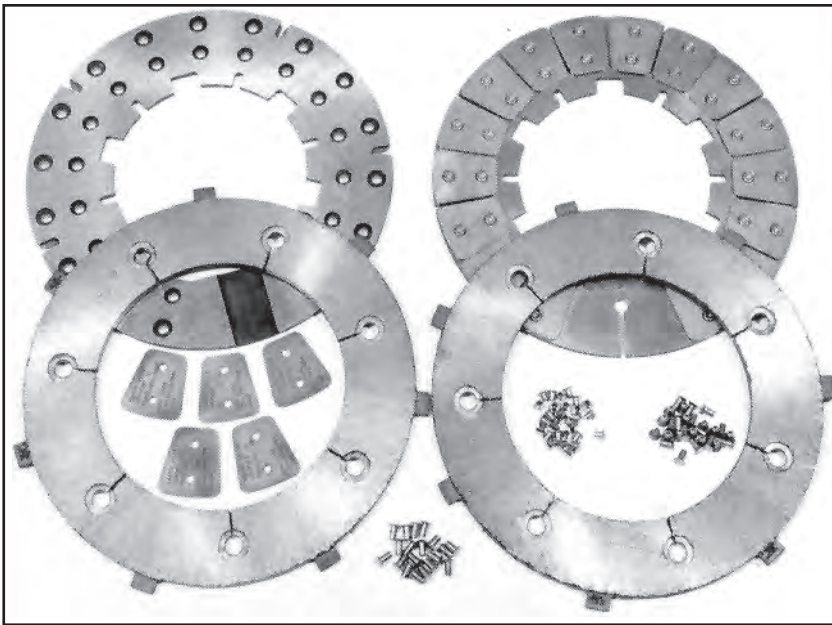
BE1900C, BE1900D AIRLINERS



FAA-PMA APPROVED

Replacement Brake Parts





This Brake Kit fits the following:

Beech: B-1900 Airliner, models BE1900C and BE1900D with ABS P.N. 5006749-4, 5006749-5 brake assemblies, or Beech P.N. 114-8008-3, 114-388024-1 brake assemblies.

Rapco Fleet Support, Inc. to Beech / ABS Part Number cross reference:

	QTY	Rapco Fleet Support P.N.	Beech/ABS P.N.	Part Description
RFS6749K-1 Hot-Pac Kit Contents	2	RFS1005A	5012405	Rotating Disc - Heavy Duty
	62	RFS3005	114-8008-53/5008892	Wear Pad
	32	RFS6A14	GYR 6A-14	Rivet
	46	RFS6B5	GYR 6B-5	Rivet
	14	RFS6B11	GYR 6B-11	Rivet
RFS6749K Hot-Pac Kit Contents	2	RFS1005	114-8008-57/5008893	Rotating Disc
	62	RFS3005	114-8008-53/5008892	Wear Pad
	32	RFS6A14	GYR 6A-14	Rivet
	32	RFS6B5	GYR 6B-5	Rivet
	28	RFS6B11	GYR 6B-11	Rivet
	1	RFS5010 *	114-8008-15/5008886	Pressure Plate Sub-Assembly
1	RFS4015	5008889	Pressure Plate	
1	RFS5005 *	114-8008-17/5008887	Stationary Disc Sub-Assembly	
1	RFS4010	5008890	Stationary Disc	
1	RFS5008895-1	5008895-1	Torque Tube	
5	RFS5006752	5006752	Piston	

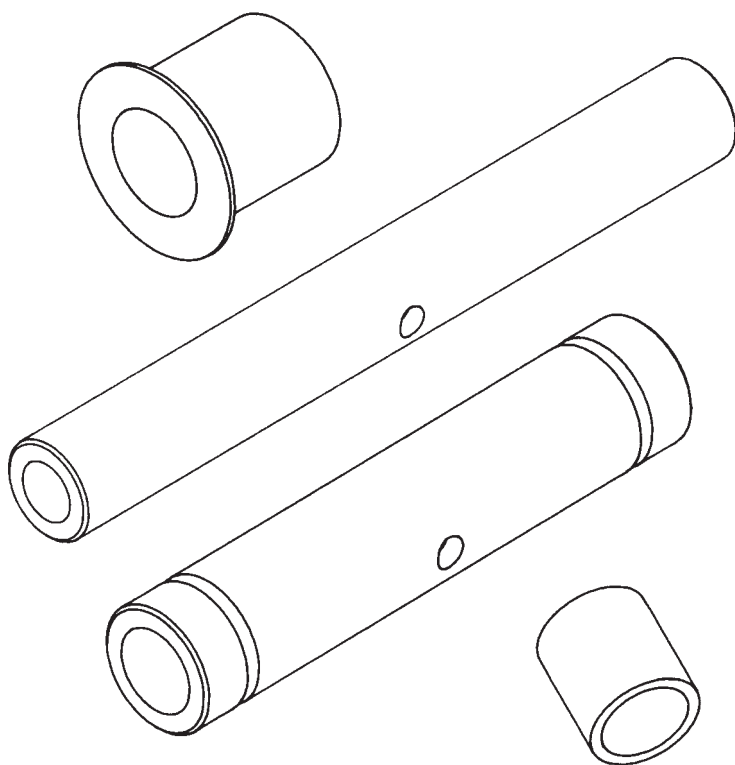
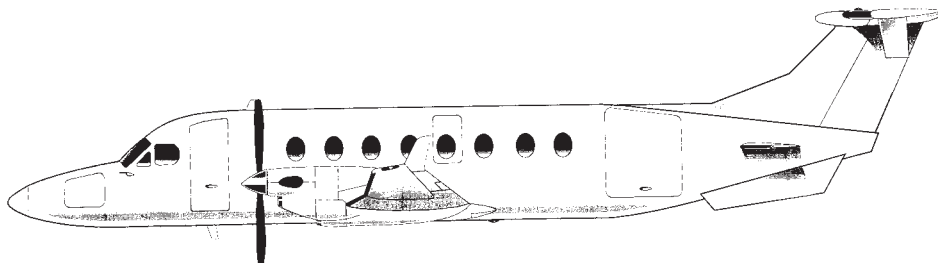
* These parts are sold as a Sub-Assembly with the RFS3005 Wear Pads already riveted on.

FAA-PMA APPROVED Replacement Brake Parts

For Reference Only. Please refer to individual FAA-PMA Supplements for for Installation Eligibility.

BEECHCRAFT 1900

REPLACEMENT LANDING GEAR COMPONENTS



FAA-PMA APPROVED

Part Number	Description
RFS100-820017-1	Bushing
RFS101-810024-3	Bushing
RFS101-810026-1	Pin
RFS101-810090-3	Bolt
RFS105739X-YN1437	Bushing
RFS105739X-YR0875	Bushing
RFS105740X-YA0630	Bushing
RFS105740X-YA1625	Bushing
RFS105740X-YN0625	Bushing
RFS105740X-YN0677	Bushing
RFS114-810022-1	Axle
RFS114-810038-1	Bushing
RFS114-810042-1	Bushing
RFS114-820062-1	Bushing
RFS114-820068-1	Pin
RFS114-820112-1	Bushing
RFS114-820113-1	Bushing
RFS115-810066-3	Bushing
RFS50-810035-2	Pin
RFS50-810035-4	Pin
RFS90-820010-1	Bushing
RFS99-810066-1	Bushing

For OEM part number: Delete "RFS" in front of part number

For Reference Only. Please refer to individual FAA-PMA Supplements for for Installation Eligibility.

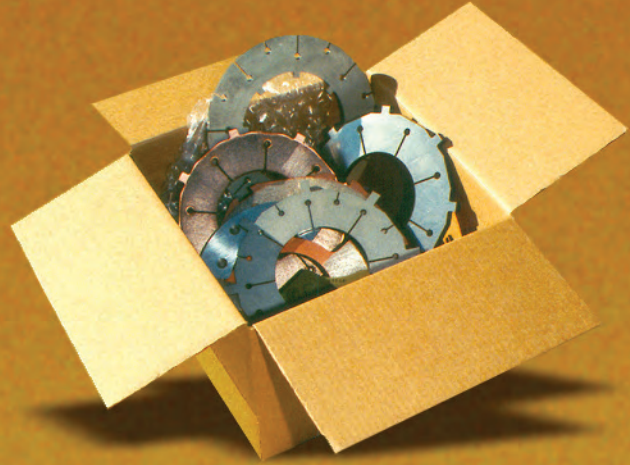
WHAT REALLY COMES WITH THESE BOXES?

OEM's



- Annual price increases
- Slow delivery
- Arrogant, threatening attitude
- Old technology
- Eligibility through FAA-PMA

RFS, Inc.



- Large cost savings over OEM
- Quick delivery
- Helpful attitude
- New technology
- Eligibility through FAA-PMA

* Citation 500 & 550



* Learjet 25, 31, 35, 35A, 36, 36A and 55



* Beechcraft B1900



* Beechcraft B99, King Air 100, 200 & High Float King Air



* Fairchild Metro Series, High-Gross Metro



* Embraer EMB-120



All of our customers have experienced the differences between Rapco Fleet Support, Inc. and the big OEM's. We're quicker, easier to deal with, less expensive, small and aggressive. They're the opposite.

The only similarity is both products are installed in the same wheel assembly with FAA-PMA installation authority. When OEM parts are installed as a replacement, eligibility is through FAA-PMA authority. Same as our brake parts.

The OEM's received their PMA by simply being on the aircraft when the TC holder received certification. RFS earned their PMA by proving performance with hundreds of stops on a dynamometer and a strict FAA mandated flight test schedule. Testing included normal landings under different conditions as well as at wear-limit Rejected Takeoff's. Our brake parts exceed OEM performance standards and airworthiness requirements.

The next time you need replacement brake parts, go with the best, not the biggest.



RFS

RAPCO FLEET SUPPORT, inc.

- * The FAA says that PMA parts manufacturers have to prove that the part is as good or better than the O.E.M. in order to earn the PMA. (The OEM salesman didn't tell me that!)
- * RFS says their parts cost less. Why are we paying so much?
Call RFS @ (262) 367-6210 or www.rfsbrakes.com

Why is the OEM calling me direct? Where's the distributor salesman?