

McFarlane[®]

FAA-PMA Manufacturer of Quality Aircraft Parts

2021 Catalog



800-626-7178

sales@mcfarlaneaviation.com
www.mcfarlaneaviation.com

Photo credit — See page 7 for details!

Customer Number

Celebrating 50 years of serving the aviation community!



OUR MISSION

- Anticipate and listen to the needs of the aviation community.
- Continuously develop innovative solutions and improved aviation products that provide value.
- Produce and offer safe, quality aviation products that instill pride and confidence in the McFarlane brand.
- Provide fast delivery, a realistic price, and old-fashioned customer service.
- Provide a challenging, rewarding, safe, and fun place to work.
- Care for our community and environment.

ABOUT US

We are a diversified manufacturing company that specializes in providing affordable, high-quality FAA-PMA components. In addition to our extensive line of high-quality FAA-PMA replacement parts, we offer a complete line of customer-designed and OEM products, including door and flight control cables, push-pull controls, cargo and seat rails, and many other unique products for the broader aerospace community.

Our parts are manufactured for many aircraft including General Aviation, Commercial, Experimental, Homebuilt, and Light-Sport Aircraft. We have thousands of FAA-PMA

products at our facility located on the Vinland Valley Aerodrome (K64) near Baldwin City, Kansas. Today, we have five buildings with more than 100,000 square feet of office space, inventory storage, and factory floor. We even have another 22,000 square feet under construction!

Our products are engineered with superior quality and longer service life. No matter what you purchase from McFarlane, you can rest assured that you are getting the highest quality product at the lowest price!



Cable Fabrication



Machinists, Tool, and Die Makers



The McFarlanes: Dan, Dave, and Cheryl



Sales Team

OUR HISTORY

In 1970, our founder, Dave McFarlane created McFarlane Aviation to provide aircraft repair and restoration part-time, while concentrating on agricultural aviation activities in Mississippi, Arkansas, and Iowa. In 1979, Dave bought the Vinland Valley Aerodrome (K64) and moved McFarlane Aviation to its current location today. The quaint little country airport is located in Eastern Kansas, ten miles southeast of Lawrence, Kansas, the home of The University of Kansas and Haskell Indian Nations University, and four miles north of Baldwin City, the home of Baker University. The runway was built in a beautiful valley on the old railroad right-of-way in Vinland, Kansas, a pioneer ghost town. A few old store buildings, two old churches, several houses, and the oldest library in Kansas are all that remains of the once thriving frontier settlement. Fred McClenahan joined Dave and his wife Phylis in Kansas to provide aircraft repair, restoration, rental, flight instruction, and agricultural aviation services. Fred plays a key role today in developing and testing the McFarlane product lines.



Vinland, Kansas

In 1986, the company continued to prosper and grow, officially incorporating as McFarlane Aviation, Inc. As the years passed, it became apparent to Dave and Fred that there was room for improvement in many of the aircraft parts they were installing. In 1989, the company started in a new direction. New materials and improved designs were developed and tested for the Cessna seat rollers and washers. Aircraft owners accepted them as being far superior to the OEM parts, while costing much less. Sales of these first products grew rapidly and customers requested more products. New replacement parts were developed and approved by the FAA while manufacturing equipment, talented people, and quality control systems were added and improved.



Our Facility, July 2020

Manufacturing grew rapidly, and by 1993, all other operations except for basic airport services were sadly phased out. Since then, McFarlane has focused only on the development, testing, manufacturing, and distribution of quality FAA-PMA products.

In 1997, an additional 7,000 sq ft of office and manufacturing space was constructed with another 6,000 sq ft added in the early 2000s. In 2012, our facility was doubled in size by adding 24,000 sq ft of production and warehouse space. Again in 2020, we added another 24,000 sq ft, totaling our facility at four buildings with more than 100,000 sq ft. We currently have another 22,000 sq ft of space in the works, which will bring our facility to five buildings!

Today, McFarlane holds design approval and FAA-PMA for over 2,700 different replacement parts for several different makes of aircraft. McFarlane distributors are serving major aviation centers around the world. Past experience and constant input from knowledgeable customers have given McFarlane engineers vast knowledge of aircraft service demands that are the foundation of improved products. The pioneering spirit continues to live in Vinland, Kansas and we will continue to develop innovative solutions for aircraft service problems.



A Letter from our Founder

March 31, 2021

McFarlane Customers, Suppliers, Employees, Distributors, and Associates;

As I review where we are today and look back down the road once traveled, I am reminded of the many changes from where our journey began 34 years ago and I see many things that have stayed the same. We have grown from making a handful of replacement parts in our little shop to thousands of parts that keep us all flying longer and safer with less cost. The rate that we design and certify new products has grown from a few projects a year to a steady flow of new parts that fit a wide range of aircraft. Our buildings are bigger and there are a lot more of us working hard in many different departments. We now ship products to almost everywhere in the world to a very diverse customer group. We have expanded to handle more quality products manufactured by others who are dedicated to the same mission as ours. Technology in machines and manufacturing processes have exploded. Innovation is everywhere with yet improved materials and coatings that make our parts work better and last longer. Our old drafting tables and calipers have been replaced with lots of software, databases, and scanners. Yes, McFarlane is a much different place than it was back up the road 34 years ago.

What I see that hasn't changed is the help we get from you, the user and mechanics installing our products. Your insight and years of experience still guide our new products and improvements today. Our suppliers continue to contribute knowledge and innovation. Problems are solved around the world by our distributors who pass on their customer's needs and ideas. I watch the McFarlane team work hard every day to innovate and improve how we accomplish our mission. McFarlane and the FAA personnel share common goals as they guide us through certification. Yes, there is much that has not changed moving along this road.

I give my deepest respect to all of you who have travelled the road with us as we share this common goal of better, safer, and longer lasting replacement parts at reasonable prices. Without all of you sharing your knowledge and experience with us, we could not do this. A sincere thank you to all of you.

We have not forgotten why this journey began and that you are all part of the McFarlane mission. We share this endeavor with you. We will always do our best to give you the products you need at the best possible price. I promise that some things will not change at McFarlane. People will always answer the phone and we will work hard to give you the service you deserve.

Sincerely,



Dave McFarlane



Back in the Early 1980s!

Near the beginning of our history, Fred McClenahan and Dave McFarlane helped repair some old wind machines for ABC Motion Pictures filming a movie nearby.

Because the wind machines were powered by aircraft engines, the production company thought Fred and Dave could repair some of the broken machines with their knowledge and tools, to which they did, right here in Vinland, Kansas!

"The pipe you see hanging on the right side, that's a water hose to discharge water in front of the wind machine. This is one method Hollywood uses to make driving rain scenes in the movies." -Fred

Fred McClenahan (left) & Dave McFarlane (right)



What are FAA-PMA Parts?

FAA-PMA stands for Federal Aviation Administration Parts Manufacturer Approval. Federal Aviation Regulations (FAR) Part 21.303(a) requires any person producing modification or replacement parts for sale for installation on a type-certificated aircraft to obtain a PMA. The FAA strictly regulates all PMA holders by initially approving all design data, approving all design changes, and auditing production facilities and quality control systems. As a result, the parts produced by a PMA holder meet all the rigorous quality standards just like the replacement parts from the original aircraft manufacturer.

We take great pride in our reputation of meeting and exceeding the quality requirements and sound design standards set by the FAA, so that you, our customer can rest assured that the parts you buy are second to none.



McFarlane FAA-PMA Parts

At McFarlane, every new product is analyzed by looking at decades of service and maintenance history. We consider improvements that could not be foreseen when the parts were originally designed. New manufacturing technology and high-tech materials that were not available when the parts were first designed, can now allow us to improve products, while at the same time reduce the cost. This translates into a better product for less money.

McFarlane products are engineered to be superior in quality, have a longer service life, and still be more affordable than the corresponding OEM aircraft parts.



Engineering Department

Custom Fabricated Parts

We offer a complete line of custom designed and OEM products including door and flight control cables, push-pull controls, cargo and seat rails, and many other unique products for the broader aerospace industry.

Custom products are manufactured to the same standards using the same materials, rigorous testing and inspections as our FAA-PMA approved products; however, custom products are not FAA-PMA approved.



Custom Door Cables

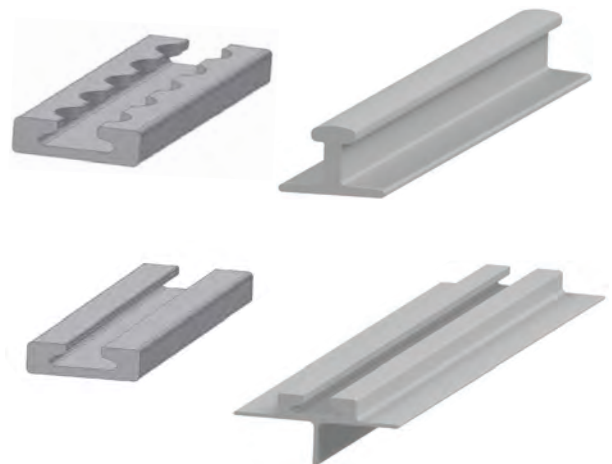
Are you frustrated with making a stock door cable work for you? We have the solution!

Handcrafted custom door cables can be fabricated to your specifications, color, and configuration options. Our extensive stock of cable and fittings allow us to expedite the delivery process. Our custom door cables are pre-formed stainless steel and sealed with silicone rubber to prevent cracking from wear and climate changes. The silicone rubber coating does not separate from the cable and remains pliable for easy opening and closing of aircraft doors.



Custom Seat Rails

We manufacture high quality custom cargo and seat rails built to customer provided specifications, utilizing the same stringent manufacturing and quality processes as we do with our PMA rails. This provides our customers with proven technology that delivers the product on time, on budget, with superior corrosion resistance and added strength. We have a variety of extrusions available for use in your design, as well as state of the art CNC machines for precision cuts and finish.



Custom Push-Pull Controls

McFarlane Aviation Products can manufacture Push-Pull Controls for most any aircraft flying today. All McFarlane Push-Pull custom control cables are built to customer provided specifications. Our custom controls duplicate the original customer supplied controls in regard to length, thread size and pitch, wear sleeve locations, diameter and travel length.

Our custom controls are manufactured to the same standards using the same materials, rigorous testing and inspections as our FAA-PMA approved products; however, custom controls are not FAA-PMA approved. When you purchase a McFarlane Aviation custom control you can be assured of traceability of all materials and tests are maintained for our controls.

Overview of our Push-Pull Capabilities

- Push-to-Unlock Dual Conduit Controls
- Push-to-Unlock Single Controls / Quadrant Type Controls
- Throttle Controls / Turn-to-Lock Dual Controls
- Turn-to-Lock Single Controls
- Universal Light-Weight Single Controls
- Vernier-Assist Mixture Controls and Throttle Controls
- Vernier Type Controls (Prop and Mixture)



Custom Flight Cables

All of our custom flight cables meet or exceed all DOD, MIL-SPEC, and FAA specifications. We are DOD certified (QML listed) to fabricate flight cable assemblies to MIL-DTL-6117 specifications or we can manufacture to your custom specifications. Our flight cables are produced with standard AN or MS type fittings. They are also pre-stretched and proof loaded in accordance with MIL-DTL-5688.

We also manufacture and certify cable assemblies to the NAS302 through NAS310 standards. If you need cable assemblies requiring special non-standard terminals, we can quickly make them to your specifications or old cable using our precision machine shop, inspection system, and quality-controlled processes.



To enhance the longevity of your flight control cables, we also offer several industry standard corrosion preventatives. Our custom cable assemblies are manufactured using the same materials and quality as our FAA-PMA products, however custom flight cables are not FAA-PMA approved.

When you purchase a McFarlane custom flight cable you can be assured of traceability of all materials and tests are maintained. Our extensive stock of cable and fittings allow us to provide expedited delivery to support your needs for most orders.



Overhaul Services

We offer service and repair on select products, such as our Fuel Selector and Fuel Shut-Off Valves, Cessna Trim Tab Actuator, and Universal Joint Drilling. Our Fuel Valves and Trim Tab Actuator services include cleaning, inspection, and reassembly with select new components. Coming soon, McFarlane will be a licensed FAA repair station in 2021!

For our Universal Joint Drilling service, we precision match the tapered attachment hole in universal joints to exactly match the old universal joint. The precision match service prevents the customer from re-rigging the aileron control system. Offering these services gives our customers an alternate solution to save hundreds of dollars.

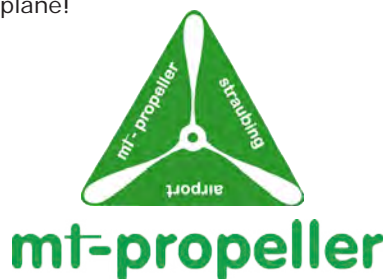


MT-Propellers

McFarlane is now the world's largest volume distributor of MT Composite Propellers. We stock the most popular models, ready to ship! MT Propellers are high-performing, vibration-free, light-weight, and backcountry tough.

The specially engineered composite design is extremely light-weight, some models up to 35 lbs lighter. MT Propellers also have the best thrust, take-off, climb, and cruise performance! They are known for operating vibration-free, improving the experience and aircraft engine life.

MT Propellers also offer full reversing thrust capabilities in 2- or 3- blade options for any float and land plane!



Website Ordering

Visit our website www.mcfarlaneaviation.com to browse parts, watch videos, and read installation instructions. We also have our custom forms, newsletters, FAQs, and many more features available online. To order a custom door cable, print our form, fill out the required fields, and send to us via fax, mail, or email. Please include your address, phone number, and shipping/payment instructions with all orders.

Benefits and features

- 1 Improved and faster search
- 2 Checkout with a registered login or as a guest
- 3 Account management
 - update addresses and credit cards
 - change password and email address
 - view invoice history
- 4 Filter by aircraft
 - refine search by aircraft series
 - save your aircraft make, series, model and S/N between visits
- 5 Clickable question marks (?) provide more details
- 6 Continuously updated product photos
- 7 Many informative FAQs
- 8 More shipping options, including DHL International and improved real-time estimates
- 9 Mobile and tablet friendly

The screenshot shows the McFarlane website interface. At the top, there's a search bar and the phone number 1-866-920-2741. The main content area is titled 'Cables and Chains, Flight Control' and features a 'McFarlane Flight Control Cables' section with a 'More Detail' button. Below this, there are search filters for 'Aircraft: Make: Cessna, Series: 172, Model: 172R'. A warning message states: 'Warning: Only showing results for selected aircraft'. At the bottom, a table lists products with columns for Part Number, Description, U/M, Retail Price, Your Price, and Stock.

Part Number	Description	U/M	Retail Price	Your Price	Stock
CCKT-09G-RUD	KIT, Cable, Rudder, Cessna	EACH	\$590.99	\$355.94	

QR Codes

Check out our various QR codes throughout the catalog. Each QR code will take you directly to the product, video, or document in reference on our website or YouTube channel.

To use our QR codes, simply open the camera app on your Smartphone and hover the camera over the QR code box. Your device will take you directly to the weblink in reference. Depending on your device, you may receive a popup box asking you to click "Open" in your web browser. Try out the QR code below to visit our website!

Some devices may require a special app for QR codes. Browse your app store for the best QR code application.



Quick and direct access to our videos and website!

www.McFarlaneAviation.com



Follow us on Social Media!

Tune into our social media for new product releases, sneak peaks, installation videos, promotions, aviation content, and company updates. Join us on Facebook, Instagram, Twitter, YouTube, and LinkedIn.

- /McFarlaneAviation
- /mcfarlane_aviation
- /McFarlaneAvia
- /McFarlaneAviation
- /mcfarlane-aviation-products

Catalog Cover Photo

1973 Cessna 182 P with an MT-Propeller 2-blade MTV-15-D
Pilot: Larry Larrabure

Larry flies backcountry volcanoes, rain forests, mountains, and beaches of Costa Rica and the United States. This photo was taken at Big Bar airstrip in Oregon on his way from Washington to a 4-day backcountry trip in Idaho.

During his adventures, Larry films his flying experiences and shares them with the aviation community. Check out our Facebook to see some of his recent trips. You can also view all his productions on his YouTube channel.







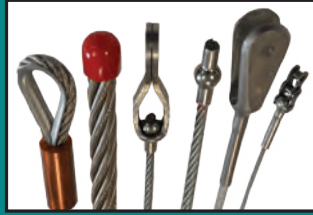



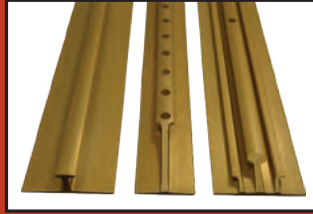











www.youtube.com/user/motoadve

Join our Email Newsletter!

Stay up to date with our e-newsletters emailed directly to you about twice each month. Your email address will not be shared or sold to anyone. To subscribe, call 888-626-7178 or visit our website at www.mcfarlaneaviation.com/signup/

- New product announcements
- Aircraft maintenance tips
- Sales promotions

<p>MT-Propeller</p>  <p>Page 16</p>	<p>Push-Pull Controls and Accessories</p>  <p>Pages 17-46</p>	<p>Firewall Forward</p>  <p>Pages 47-97</p>	<p>Exhaust System Components</p>  <p>Pages 98-121</p>
<p>Fuel System Parts</p>  <p>Pages 122-148</p>	<p>Instruments, Probes, and Leads</p>  <p>Pages 149-153</p>	<p>Flight Control System</p>  <p>Pages 154-199</p>	<p>Flight Control Surface Parts and Attaching Hardware</p>  <p>Pages 200-209</p>
<p>Landing Gear and Nose Wheel Steering Parts</p>  <p>Pages 210-227</p>	<p>Brake and Wheel Parts</p>  <p>Pages 228-245</p>	<p>Seat Rails and Seat Parts</p>  <p>Pages 246-258</p>	<p>Cargo/Seat Track and Hardware</p>  <p>Pages 259-260</p>
<p>Door and Step Parts</p>  <p>Pages 261-267</p>	<p>Lighting</p>  <p>Pages 268-276</p>	<p>Exterior Plastic and Fiberglass Trim and Fairings</p>  <p>Pages 277-301</p>	<p>Interior Plastic Trim</p>  <p>Pages 302-314</p>
<p>Parts Manufactured by PMA Products, Inc.</p>  <p>Pages 315-318</p>	<p>Parts and Mods Bush Aircraft</p>  <p>Pages 319-326</p>	<p>208 Caravan Parts</p>  <p>Pages 327-339</p>	<p>Tools and Miscellaneous</p>  <p>Pages 340-355</p>

Vernier Assist™

Now FAA-PMA Approved!

The wait is OVER!

Unlike anything on the market, this patented design cannot be jammed. It is **SAFE!** The friction control provides smoothness and precision.

BREAKTHROUGH DESIGN, ONLY BY MCFARLANE



See pages 17-34 for more information!

McFarlane is the World's Largest MT Composite Propeller Distributor

Experience the composite advantage!

- Backcountry tough
- Vibration-free
- Better thrust, take-off, climb, and cruise



mt-propeller

Flying with floats?
MT has full **REVERSING** capabilities available!



See page 16 for more details.

Exhaust System Components

Offering Largest Stock in Aviation

Exhaust mufflers, tailpipes, shrouds, risers, and more!



See pages 95-108 for details!

Complete Sub-System Cable Kits

Cessna, Piper, and Beechcraft

Replacing your entire flight control system?

We now stock complete sub-system flight control cable kits for your aircraft.

Easily order all the cables you need!

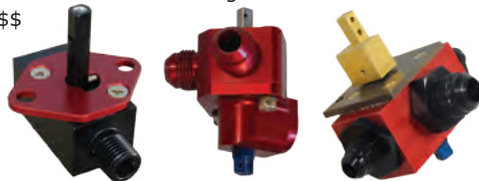


See page 154 for more information!

New! Fuel Selector and Fuel Shut-Off Valves

Buy a new fuel valve, or send yours in for repair services!

- Improved corrosion resistance and O-ring retention
- Save thousands \$\$\$



Pages 142-146

New! Replacement Torque Links

Stronger and lasts longer!

- FAA-PMA approved for Cessna 100 and 200 series aircraft
- Substantial cost savings \$\$\$



Page 215

New! Cabin and Cargo Door Hinges

Cessna 100 and 200 Series

- FAA-PMA approved solid welded design
- Extra strength and wear resistance



Pages 266-267

New! Tempest Products

Spark plugs, vacuum pumps, oil filters, carburetors, deice valves, fittings, tools, and more!



Lowest price in the industry!



TEMPEST

excellence

Pages 47-65

New! Cessna Seat Release Control Assembly

Improved quality for increased longevity at a lower price!
Cessna 172, 182, and 206



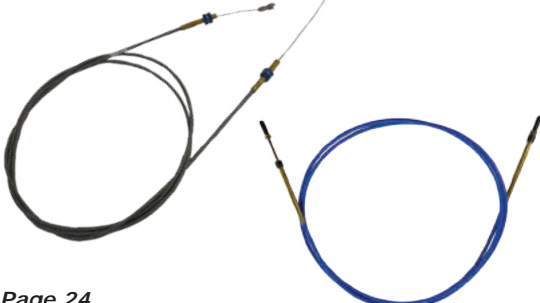
Page 250

New! Bonanza Throttle, Prop, and Mixture Controls
 FAA-PMA Beech Bonanza controls



Page 34

New! Cessna Flap Indicator Cables
 Improved reliability in controlling your flaps with a low friction design and increased service life



Page 24

New! Fuel Pumps
 Supporting Tornado Alley Turbo Conversions



Page 147

New! Exhaust Deflectors for Caravan and CASA Aircraft
 Keep the exhaust from impinging on the cargo pod or wing trailing edge and flaps!

- Save \$\$\$ on repairing corroded or damaged areas
- Eliminates exhaust stains

Easier to keep the aircraft clean!



Page 98

New! Seat Stops
 Added aircraft eligibility!

- Much stronger than the originals



Page 251

New! Cessna Caravan Control Lock



Significantly lower cost!

Page 328

New! Cessna Caravan Quadarant Cover
 Increased durability and longer life!



Save thousands!


Page 332

New! Carb Heat Air Box Assemblies
 Cessna 182 Air Boxes now available
 Stop wasting time and \$\$\$ cobbling together that old air box!



Page 69

New! Kodiak Extended Crew Door Steps
 Add a second step for the crew door, below the original step!



Page 265



"Literally transforms the experience of flying. It's so smooth and quiet."

C. Carmel, Aviat Husky

SMOOTH OPERATION





PROP GUARD™

Protect your metal propeller against airborne sand, water, and rocks!

Easy-to-install FAA-PMA Adhesive Boot
Reduce propeller maintenance


Save **THOUSANDS \$\$\$**

New! Bonding Straps
Save \$\$\$ with our direct replacement for 1517102 series bonding straps!



Pages 344

New! Trim Tab Screw Assembly for Caravan
Black Max™ nitrocarburized coating for wear resistance!



Save \$\$\$

Page 328

New! Commercial Products
Boeing 757 Thrust Reverser Gimbal & Lanyard
Matched fit, form, and function of the OEM, at a dramatically lower price AND in stock!



Visit our website for more details!

New! Piper Exterior Trim and Fairings
Now offering both Cessna and Piper parts!



Pages 295-301

New! Interior Plastic Trim for Cessna, Piper, and Beechcraft
Stocking hundreds of interior plastic parts!



Pages 302-314

New! Cessna Tail Slide
Protect your aft bulkhead from an accidental tail strike!
Perfect for flight training and rough fields



Page 343

New! Retractable Gear Brake Swivel
Leak-proof swivel point



Save 25%

Page 227

New! Cessna Landing Gear U-Bolt
172, 175, and 182 series

- Save \$\$\$
- 2x fatigue resistance



Page 227

New! Cessna Fuel Transmitter Gaskets
FAA-PMA approved for P/Ns MCS2670-1
206, 207, 208, and 210 series



MC1422306-1
337 Skymaster

Page 137

New! D A M™ Exhaust Lube
The only anti-seize that works!
Designed for exhaust systems

- Prevents heat corrosion and joint lockup
- Loosens assembled joints
- Graphite free!



Protects up to 2400° F

Page 98

New! Cessna, Piper, Lycoming, and Continental Alternator V-Belts
FAA-PMA approved, and at an affordable price!
Quality guaranteed!



Pages 353-354

New! Steering Rod Boot and Doublers Kits
Protect the cabin in case of an engine fire!



Pages 212-213

New! Cessna Trim Tab Actuator
New, rebuilt, and 1000 hour services available!



Save thousands!

Page 199

New! Stat-O-Seal
FAA-PMA approved for Cessna Aircraft



Page 141



Engine oil, filters, and more!

McFarlane has the best prices in the industry

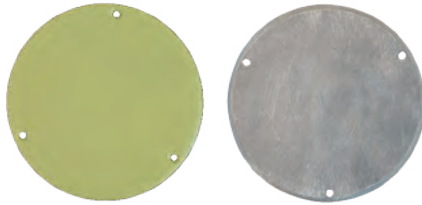
Now offering AeroShell and Phillips engine oils, and Tempest oil filters!

All the products and tools you need to perform maintenance on your aircraft

SAVE MONEY!

New! Cessna Inspection Plates
Multiple finish options and cost savings!

- Treated for anti-corrosion
- Quantity discounts available!
- Save up to 50%



Page 341

New! Aft Seat Rails
for 200 Series Cessna Aircraft
Over 30 new FAA-PMA approved part numbers added!



Pages 246-248

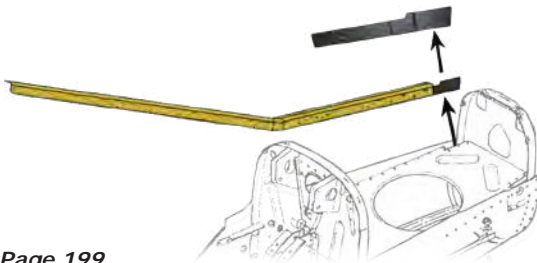
New! Beechcraft Flight Control Cables

FAA-PMA approved Beech Bonanza 33-35 cables



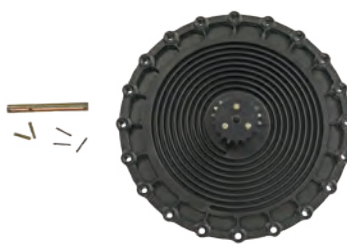
Pages 185-190

New! Cessna Tail Cone Angle Kit
Hockey stick solution for AD2020-21-22
Save thousands \$\$\$



Page 199

New! Cessna Trim Wheel
Take the load off the shaft and roll pins!



Page 198

New! AeroShell Oil
Engine oil at COST!
We want to keep you flying!



Page 54

New! Airforms Crew Ladder Components
FAA-PMA approved for Cessna Caravan

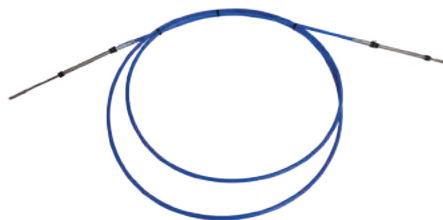
- Corrosion resistance
- Longer life

Fraction of the cost!



Page 334

New! Push-Pull Controls
for Beech Baron Aircraft
Preferred by pilots around the world!



Page 32

New! AeroLEDs Landing and Taxi Light Kits
Beechcraft, Caravan, and Pilatus



Page 270

Cowl Saver™ Baffle Seal Material with Bi-Flex™ Technology

You will feel the difference! Satisfaction **GUARANTEED!**



See page 74 for more details!

D A M™ Products
Unique Hangar and Toolbox Solutions



Window Cleaner, Pulley Oil, and Exhaust Lubricant

See pages 340 & 355 for more information!

Certified Aerospace Material
Great Deals on Small Lengths!



Take a look at the "Metal Bar Stock" category:
www.mcfarlaneaviation.com/products/category/metal-bundles

SAFE-HEET™ Engine Heater
Over 30 Years of Proven Quality

Warms your entire engine in less than **ONE** hour!

Industry-leading
4 Year Warranty!

FAA-PMA approved for Continental, Lycoming, and Franklin engines.

Easy to use, efficient, economical, and safe!



See page 72 for more information!

Door Hinges for Caravan Aircraft
Bushed options allow easy repair!



Page 339

Fuel Quantity Transmitters for Piper and Maule
Direct replacements for hard to find Rochester units!



Pages 135-138

Caravan Flap Indicator
Reinforced wire hole with steel bushing!



Page 328

Placards



Page 352

Complete Brake Kit for Pilatus PC-12 Aircraft
Longer wear life!



Page 241

Installation & Maintenance Tools
Simplify your work and save time!



Pages 348

Cessna Rudder Pedals
Less money and longer life!
Powder coat finish for durability and corrosion protection



Page 194

Articulating Boroscopes
Save \$\$\$



Page 347

Australian Nose Strut Seal Kit
Nothing compares!
Go years without servicing.



Page 219

Engine Mount Heat Shield



Page 76

Steering Rod Boots
for 182E-T Cessna Aircraft
15 times the fire protection!



Page 212

Steering Bungee
182E-T Cessna Aircraft
Save thousands!



Better than the original!

Page 213

Shimmy Dampener
3x the dampening action!



Page 221-222

Door and Step Cables
FAA-PMA approved for Cessna, Piper, and Beechcraft
Multiple color options and hand-crafted with the highest quality standards



Pages 261-262

Door and Window Seals
Cessna, Piper, Beechcraft, and Mooney Aircraft



Airtight, watertight, and greatly reduced cabin noise!

Page 264-265

Valve Guide Cleaning Reamers
For Continental and Lycoming engines



Page 351

Exhaust System Components
Cessna, Piper, Beech, Grumman, Mooney, Cirrus, and more!



AWI acorn welding

Pages 98-121

Bush Parts for Cessna Aircraft

- Landing Gear Box Shims - For Cessna aircraft using leaf spring landing gear
- Breather Tube - Cost effective replacements
- Horizontal Stabilizer Spacer - Save!
- Exhaust Shroud - Quality Construction
- Trim Wheel Shaft - Huge Savings!
- Nosegear Drag Link - 1/2 of Cessna price!
- V-Brace Assembly - Heavy Duty
- Alternator Adjust Arm - 1/4 of Cessna price!



Pages 322-326

Seat Roller Housings for Cessna Aircraft
Use convenient one-of-a-kind flowchart to determine the correct housing for your seat configuration.

Save \$\$\$



Page 346

Aircraft and Engine Components for Learjet
Complete Service Kit!



Page 342

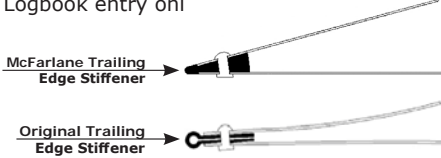
Trim Actuator Boot and Clamp



Page 198

Cessna Flap Trailing Edge Stiffener

- Improved shape to reduce stress cracks
- Logbook entry on!



Page 202

Spinner Bulkhead
337 Skymaster
Most Skymaster 337 Rear Spinner Bulkheads are cracked!



Page 71

Smooth Tail Skins
Cessna 152-175 Smooth Elevator and Rudder Skins



Pages 200-201

Caravan Brake Kits
State of the art CNC machined!



Page 241

Caravan Crew Rails and Cargo Tracks
FAA-PMA approved
Direct replacements!



Page 339

Piper Control Yoke Universal Joint Kits
Helps comply with AD 2010-15-10!

- Kits include u-joint, shaft, taper pin and hardware
- Individual parts available separately!
- Taper reamer saves you \$\$\$



Page 346

Up and Coming Products and Approvals

McFarlane is continuously engineering new products for many different aircraft. Below are just some of the items we have on our upcoming list of product approvals. Be the first to know about our coming soon items by visiting our website. You can also subscribe to our email newsletter to stay informed each month!

Scan the QR code to see our new products coming soon! This list is updated regularly.



Beechcraft

- **Rod Ends**
PMA Replacement for Beechcraft aircraft

Cessna

- **Replacement Door Handle**
PMA replacement Door Pull for 180 and 182 aircraft
- **Engine Baffle Seals**
Expanding our current Baffle Seal offering to include the 150 and 152 series
- **Shimmy Dampener**
Expanding our McFarlane Shimmy Dampener to include eligibility for the entire 182 series!
- **Fuel Selector Valve**
Expanding our current McFarlane Fuel Selector lines to include eligibility for early 180 and 182 series
- **Fuel Primers**
PMA replacement for Fuel Primers on 100 and 200 series
- **Intake Shroud**
More durable PMA replacement for 150, 152 and 172 aircraft
- **Smooth Skin**
PMA replacement for smooth skins for 177, 182, 206, and 208 series aircraft
- **Ancillary Controls**
PMA replacement for various Cessna models, including 150, 152, 172, 175, 182, 206, and 210 series
- **100 Series Nose Strut Bearings, Collars, Shims, and Chrome Struts**
PMA replacement for Nose Gear Shock Strut Bearings on 152, 172, 177 and 182 aircraft
- **Door Hinges**
Expanding our current Door Hinge offerings for earlier series, including 120, 140, and 150
Rounding out our current offerings for the 180, 182 and 185 series aircraft
- **Air Intake Boot**
Expanding our current Boot offerings to include PMA replacements for 172, 182 and 206 aircraft



Piper

- **PA-28 Shimmy Dampener**
Expanding our McFarlane Shimmy Dampener to include eligibility for PA-28 aircraft
- **Wheel Felts**
Grease seals, retainer plates, and retainers for Piper aircraft

Continental and Lycoming Engines

- **Exhaust Studs and Nuts**
Direct replacement engine studs and nuts for numerous Continental and Lycoming engines



"The MT wood core composite prop is the only composite prop that actually absorbs vibration instead of generating vibration like a metal prop or other foam core composites. The smoothness extends the life of everything under the cowl. The braking action of the MT prop gives unmatched control on short field approaches and I get amazing takeoff performance. I had to do a field repair after picking up something that would have ruined a metal blade. It was a quick and easy fix right on the ramp. The 19 lbs. less weight and related gyroscopic loading makes the aircraft more responsive with less stress on everything."

Dave McFarlane
Founder of McFarlane Aviation - Cessna 175

Why you should install an MT Composite Propeller

MT Propellers are made with aerospace grade fiber combined with highly compressed beech/spruce wood core and have higher strength than aerospace aluminum with no corrosion and fatigue limit. Safer as damage will not propagate cracks like hard aluminum. By this, FOD on leading edge or trailing edge, as well as the blade mid area, cannot create structural damage requiring the replacement of a blade. There are no ground or in-flight RPM limitations for certified MT Propellers because of its superior vibration dampening characteristics.

Why are MT Composite Props Superior?

- Natural composite core
- Epoxy composite jacket covers core
- Improved performance
- Economical and efficient
- Field repairable
- Safe

Flying floats?

The exclusive MT Reversing option for piston powered aircraft brings an entirely new level of safety, maneuverability, control, and "cool" factor to seaplanes. Scan the link below to see a short video of it in action.



Photo by Kevin Quinn

Standard System:

The reversible MT Propellers for turbines use the standard engine interface for the reverse actuation and the propeller control.

Both Reverse-Systems can be built with any number of blades and can optionally be equipped with electric or alcohol de-ice boots.

Plus, reversing props aren't just great for sea planes!

To learn more visit www.McFarlaneAviation.com/propellers/

MT Reversing Prop Demonstration
<https://youtu.be/WOBxQtF337Q>



Scan the code to watch!



Most popular propellers ready to ship next day!



mt-propeller

Be there. Be safe. Be different.

- All metal construction
- Pilot friendly knobs
- Lifetime lubrication
- Superior low friction conduit
- Custom controls available

Metal Construction

Unlike the controls of our competitors that use plastic, McFarlane control fittings and components are made from stainless steel, plated steel, anodized aluminum, and brass. Our Vernier control locking devices are precision formed and heat treated in critical wear areas.

A Superior Conduit System

Our controls have low-friction smoothness and flexibility, even when routed with multiple tight bends. Our conduits are made from carbon steel wire, specially formed for increased strength and smooth inside diameter. Two of these wires are coiled in tandem for increased tensile strength. A Teflon jacket extruded over the coiled housing provides additional strength and wear-resistance. A virgin Teflon® liner in the center of the conduit reduces friction and ensures reliable operation.

Knobs Make a Difference

Our "pilot friendly" knobs are all compression molded from a reinforced phenolic or a reinforced melamine-phenol resin. Unlike the soft injection molded knobs of our competitors, our knobs are hard and thermally stable. They're scratch-resistant and do not deteriorate. McFarlane knobs meet the latest F.A.R. requirements for shape and color.

Special Lubrication

McFarlane controls have a special lifetime lubrication applied to critical sliding surfaces, made from a molybdenum disulfide and Teflon® based lubricant with a synthetic grease base. Our lubricant will reduce friction and prevent galling and contamination locking of the control components from -70° F to over 1000° F.

Vibration Dampening Features

Our metal swivel joints have a unique Viton® rubber vibration dampening sleeve with a spring load system that dampens engine induced vibration in the push rod guide tube and metal swivel joint. Molded Viton® boots are also used on the push rod guides to seal out contaminants. The Viton® rubber withstands the high temperature of the engine environment while resisting degradation from oil and solvents. This system drastically reduces the wear that leads to premature control failure.

Time Tested

With more than 25 years of experience building aircraft engine controls and with thousands of units in airplanes flying on every continent (even Antarctica), McFarlane controls are universally recognized for their high quality products and proven track record.

Consistent Quality

The assembly of McFarlane engine controls is interrupted many times for inspections of all critical elements to ensure only the highest quality controls are produced. Each inner wire swage, each push rod, each conduit fitting and terminal is inspected by our assembly team. As a further measure of quality, a second inspector also checks each critical detail to make sure only controls of the highest quality pass inspection. Attention is given to every detail at McFarlane Aviation. For instance, we verify the torque required to operate every Vernier control to ensure it operates properly and has that smooth feel our customers have come to expect.

Tough in any Environment

The McFarlane controls have an outstanding performance and reliability record in all environments; we test them in the harshest environments to ensure they will provide a long and reliable service life. Bush pilots prefer our controls because they work freely at 50° below zero and have proven solidarity in harsh salt-water. Temperatures approaching the melting point of the steel components cannot stop McFarlane controls from functioning.

Recommended Service Life

Considering the operating environment and criticalness of engine controls, our maximum recommended in-service time for McFarlane engine controls is equal to the maximum time between engine overhauls, as recommended by the engine manufacturer.

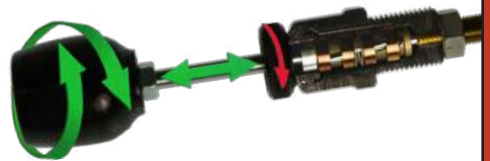
Custom Controls

We can manufacture custom engine controls for aircrafts not listed in the approved application charts. All McFarlane custom control cables are built to customer-provided specifications. Our custom controls duplicate the original customer-supplied controls (in length, thread size and pitch, wear sleeve locations, diameter, and travel length). McFarlane custom controls are manufactured to the same standards, materials, rigorous testing, and inspections as our FAA-PMA products – however, custom controls are not FAA-PMA approved.

Vernier-Assist™

McFarlane's patented Vernier-Assist™ offers the pilot precision control of the engine, unlike anything else on the market! The Vernier-Assist assembly operates on friction alone by simply turning the knob, with no threads or locking balls/pins. It also allows for normal coarse movement by pushing in or out on the knob. – Unlike standard threaded vernier controls, this design cannot be jammed. The friction control provides smoothness and precision when operating the throttle and a friction lock secures the control in position, but it can be easily overridden in the case of an emergency. It is now FAA-PMA approved and **SAFE!**

US Patent No. 8,485,057 B1



Push-Pull Controls and Accessories

Vernier-Assist™ Throttle Controls

Precision Control

New roller action vernier provides smooth jam-proof coarse and fine adjustment.

- Jam-proof safety
- Precision power adjustments
- Smooth friction control
- Light and compact
- Standard vernier action, without the button!

Fine adjustments are made by rotating the knob clockwise or counterclockwise. The McFarlane **Vernier-Assist™** throttle control uses a patented roller action and does not use a positive lock thread engagement. For extreme conduit routing or heavy carburetor load installations, slight inward or outward assist pressure could be required during rotation.

Part numbers for **Vernier-Assist™** are the same as shown in the eligibility tables except the "MC" prefix changes to "MCVA".

Examples:

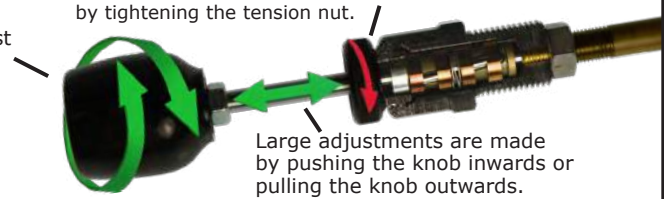
- Push-Pull P/N MC9863056-2 or **Vernier-Assist™** P/N MCVA9863056-2
- Push-Pull P/N MCS1222-1S or **Vernier-Assist™** P/N MCVAS1222-1S
- Push-Pull P/N MCC299505-0101 or **Vernier-Assist™** P/N MCVAC299505-0101



NEW
Now FAA-PMA Approved

New MCVA Throttle Series

Vernier and friction lock - The best of both!
Tension and vernier action is increased by tightening the tension nut.



Large adjustments are made by pushing the knob inwards or pulling the knob outwards.

Patent No. 8,485,057 B1

Throttle, Mixture, and Propeller Controls

- All metal construction
- Pilot friendly knobs
- Lifetime lubrication
- Superior low friction conduit

Carb Heat Controls

Longer life and up to 40% off OEM list price!

- High temperature Teflon lined conduit for reduced vibration wear, longer life and smooth, consistent control
 - Cheap controls with poly liners will not tolerate engine temperatures
- Special heavier wire for more fatigue strength and reliability
- Improved friction mechanism
- High quality scratch resistant phenolic knob
 - Updated square knob meets the latest FAA standards



Photo courtesy of Dean Zinter 1956 Cessna 172 TD

The most often replaced Cessna part just got better and now costs less!

McFarlane rod ends and wire clamps sold separately!

To Order Vernier-Assist™ Throttle Controls use "MCVA" prefix

To order new FAA-PMA approved Vernier-Assist™ throttle controls change "MC" prefix to "MCVA" prefix.		Throttle Control	Propeller Control	Mixture Control	Cowl Flap Left Hand	Cowl Flap Right Hand	Carb Heat Control
Model	Serial Number	Rod End	Rod End	Rod End or Wire Clamp			Wire Clamp
120	8003 thru 15075	MC0411091-7 5 MCS1104-3 2 Rod End		MC600-72 4 Wire Clamp N/A			Control N/A MCS2323-1 Wire Clamp
140 1	8001 thru 11846	MC0411091-7 5 MCS1104-3 2 Rod End		MC600-72 4 Wire Clamp N/A			Control N/A MCS2323-1 Wire Clamp
140 1, 140A	11847 thru 15724	MC0411091-7 5 MCS1104-3 2 Rod End		MC600-72 4 Wire Clamp N/A			MC0411090-4CH 3 MCS2323-1 Wire Clamp
150 1	17001 thru 17683	MC0411091-7 5 MCS1104-3 Rod End		MC600-72 4 MCS2323-6 Wire Clamp			Control N/A MCS2323-1 Wire Clamp
150 1	17684 thru 59018	MC0411091-7 5 MCS1104-3 Rod End		MC600-72 4 MCS2323-6 Wire Clamp			MC0713302-5CH 3 MCS2323-1 Wire Clamp
150A,B,C,D,E,F	All	MCS1222-11S 5 MCS1104-3 Rod End		MC600-72 4 MCS2323-6 Wire Clamp			MCS1230-2 MCS2323-1 Wire Clamp
150G	All	MCS1222-14S 5 MCS1104-3 Rod End		MC600-72 4 MCS2323-6 Wire Clamp			MCS1230-2 MCS2323-1 Wire Clamp
150H,J,K,L	All	MCC299505-0202S 5 MCS1104-3 Rod End		MC600-72 4 MCS2323-6 Wire Clamp			MCS1230-19 MCS2323-1 Wire Clamp
150M	All	MCC299505-0202S 5 MCS1104-3 Rod End		MC600-72 4 MCS2323-12 Wire Clamp			MCS1230-19 MCS2323-1 Wire Clamp
A150K,L	All	MCC299505-0202S 5 MCS1104-3 Rod End		MC600-72 4 MCS2323-6 Wire Clamp			MCS1230-19 MCS2323-1 Wire Clamp
A150M	All	MCC299505-0202S 5 MCS1104-3 Rod End		MC600-72 4 MCS2323-12 Wire Clamp			MCS1230-19 MCS2323-1 Wire Clamp











1 Partial model eligibility.
 2 If replacing P/N S1186-1 or P/N 0550158 also order RE-KT-1 hardware kit.
 3 Eligible for use as a carburetor heat control only.
 4 P/N MC600-72 is a vernier control. Installation is approved as a minor alteration (No STC or Form 337) and may require enlarging the instrument panel mounting hole to 3/4" diameter.
 5 To order Vernier-Assist™ throttle controls change "MC" prefix to "MCVA" prefix

Eligibility continued on next page

Push-Pull Controls and Accessories











Engine, Cowl Flap & Carb Heat Controls - Cessna



To order new FAA-PMA approved Vernier-Assist™ throttle controls change "MC" prefix to "MCVA" prefix.		 Throttle Control	 Propeller Control	 Mixture Control	 Cowl Flap Left Hand	 Cowl Flap Right Hand	 Carb Heat Control
Model	Serial Number	Rod End 	Rod End 	Rod End or Wire Clamp 			Wire Clamp 
F150F	All	MCS1222-11S 6 MCS1104-3 Rod End		Control N/A MCS2323-6 Wire Clamp			MCS1230-2 MCS2323-1 Wire Clamp
F150G	All	MCS1222-14S 6 MCS1104-3 Rod End		MC600-72 4 MCS2323-6 Wire Clamp			MCS1230-2 MCS2323-1 Wire Clamp
F150H,J,K,L	All	MCC299505-0202S 6 MCS1104-3 Rod End		MC600-72 4 MCS2323-6 Wire Clamp			MCS1230-19 MCS2323-1 Wire Clamp
F150M	All	MCC299505-0202S 6 MCS1104-3 Rod End		MC600-72 4 MCS2323-12 Wire Clamp			MCS1230-19 MCS2323-1 Wire Clamp
FA150K,L 1	FA1500001 thru FA1500120	MCC299505-0202S 6 MCS1104-3 Rod End		MC600-72 4 MCS2323-6 Wire Clamp			MCS1230-19 MCS2323-1 Wire Clamp
FA150L 1	FA1500121 thru FA1500261	MCC299505-0202S 6 MCS1104-3 Rod End		Control N/A MCS2323-6 Wire Clamp			Control N/A MCS2323-1 Wire Clamp
FA150M	FA1500262 thru FA1500336	MCC299505-0202S 6 MCS1104-3 Rod End		Control N/A MCS2323-12 Wire Clamp			Control N/A MCS2323-1 Wire Clamp
FRA150L,M 1	FRA1500121 thru FRA1500311	MCC299505-0202S 6 MCS1104-3 Rod End		Control N/A MCS2323-12 Wire Clamp			MCS1230-19 MCS2323-1 Wire Clamp
FRA150M 1	FRA1500312 thru FRA1500336	Control N/A MCS1104-3 Rod End		Control N/A MCS2323-12 Wire Clamp			Control N/A MCS2323-1 Wire Clamp
152 1	15279406 thru 15282031	MC9863053-20 6 MCS1104-3 Rod End		MC600-72 4 MCS2323-13 Wire Clamp			MCS1230-19 MCS2323-5 Wire Clamp
152 1	15282032 thru 15285939	MC9863056-1 6 MCS1104-3 Rod End		MC600-72 4 MCS2323-13 Wire Clamp			MCS1230-19 MCS2323-5 Wire Clamp
152 1	15285940 thru 15286033	MC9863056-1 6 MCS1104-3 Rod End		MC600-72 4 MCS2323-13 Wire Clamp			Control N/A MCS2323-5 Wire Clamp
A152 1	A1520735 thru A1520808	MC9863053-20 6 MCS1104-3 Rod End		MC600-72 4 MCS2323-13 Wire Clamp			MCS1230-19 MCS2323-5 Wire Clamp
A152 1	A1520809 thru A1521049	MC9863056-1 6 MCS1104-3 Rod End		MC600-72 4 MCS2323-13 Wire Clamp			MCS1230-19 MCS2323-5 Wire Clamp
F152 1	F15201429 thru F15201528	MC9863053-20 6 MCS1104-3 Rod End		MC600-72 4 MCS2323-13 Wire Clamp			MCS1230-19 MCS2323-5 Wire Clamp
F152 1	F15201529 thru F15201952	MC9863056-1 6 MCS1104-3 Rod End		MC600-72 4 MCS2323-13 Wire Clamp			MCS1230-19 MCS2323-5 Wire Clamp
F152 1	F15201953 thru F15201980	MC9863056-1 6 MCS1104-3 Rod End		MC600-72 4 MCS2323-13 Wire Clamp			Control N/A MCS2323-5 Wire Clamp
FA152 1	FA1520337 thru FA1520347	MC9863053-20 6 MCS1104-3 Rod End		MC600-72 4 MCS2323-13 Wire Clamp			MCS1230-19 MCS2323-5 Wire Clamp
FA152 1	FA1520348 thru FA1520387	MC9863056-1 6 MCS1104-3 Rod End		MC600-72 4 MCS2323-13 Wire Clamp			MCS1230-19 MCS2323-5 Wire Clamp
FA152 1	FA1520388 thru FA1520425	MC9863056-1 6 MCS1104-3 Rod End		MC600-72 4 MCS2323-13 Wire Clamp			Control N/A MCS2323-5 Wire Clamp
170	All	MC0411091-2 6 Rod End N/A		MC600-72 4 MCS2323-2 Wire Clamp			MC0411090-4CH 3 MCS2323-1 Wire Clamp
170A	All	MC0411091-2 6 MCS1104-3 2 Rod End		MC600-72 4 MCS2323-2 Wire Clamp			MC0411090-4CH 3 MCS2323-1 Wire Clamp
170B 1	20267 thru 25372	MC0411091-2 6 MCS1104-3 2 Rod End		MC600-72 4 Wire Clamp N/A			MC0411090-4CH 3 MCS2323-1 Wire Clamp
170B 1	25373 thru 27169	MCS1222-2S 3 6 MCS1104-3 2 Rod End		MC600-72 4 Wire Clamp N/A			MC0411090-22CH 3 MCS2323-1 Wire Clamp
172 1	28000 thru 36965	MCS1222-2S 6 MCS1104-3 2 Rod End		MC600-72 4 MCS2323-2 Wire Clamp			MC0411090-22CH 3 MCS2323-1 Wire Clamp
172 1	36966 thru 46754	MCS1222-2S 6 MCS1104-3 2 Rod End		MC600-72 4 MCS2323-2 Wire Clamp			MC0713302-5CH 3 MCS2323-1 Wire Clamp
172A	All	MCS1222-2S 6 MCS1104-3 2 Rod End		MC600-72 4 MCS2323-2 Wire Clamp			MC0713302-5CH 3 MCS2323-1 Wire Clamp
172B,C	All	MCS1222-2S 6 MCS1104-3 2 Rod End		MC600-72 4 MCS2323-2 Wire Clamp			MCS1224-4 MCS2323-5 Wire Clamp
172D	All	MCS1222-2S 6 MCS1104-3 Rod End		MC600-72 4 MCS2323-2 Wire Clamp			MCS1224-4 New! MCS2323-5 Wire Clamp
172E,F	All	MCS1222-15S 6 MCS1104-3 Rod End		MC600-72 4 MCS2323-2 Wire Clamp			MCS1224-4 MCS2323-5 Wire Clamp
172G,H	All	MCS1222-15S 6 MCS1104-3 Rod End		MC600-72 4 MCS2323-2 Wire Clamp			MCS1230-7 MCS2323-5 Wire Clamp
172I,K,L,M 1	17256513 thru 17263458	MCC299505-0102 6 MCS1104-3 Rod End		MC600-72 4 MCS2323-2 Wire Clamp			MCS1230-17 MCS2323-5 Wire Clamp
172M 1	17263459 thru 17267584	MCC299505-0102 6 MCS1104-3 Rod End		MC600-72 4 MCS2323-13 Wire Clamp			MCS1230-17 MCS2323-5 Wire Clamp
172N 1	17267585 thru 17271034	MC9863053-15 6 MCS1104-3 Rod End		MC600-72 4 MCS2323-4 Wire Clamp			MCS1230-17 MCS2323-5 Wire Clamp
172N 1	17271035 thru 17274009	MC9863056-3 6 MCS1104-3 Rod End		MC600-72 4 MCS2323-4 Wire Clamp			MCS1230-17 MCS2323-5 Wire Clamp
172P	17274010 thru 17276654	MC9863056-3 6 MCS1104-3 Rod End		MC600-72 4 MCS2323-13 Wire Clamp			MCS1230-17 MCS2323-5 Wire Clamp
172Q	All	MC9863056-3 6 MCS1104-3 Rod End		MC600-72 4 MCS2323-4 Wire Clamp			MCS1241-49 MCS2323-5 Wire Clamp
172R,S	All	MC565-549-021 6 MCS1104-3 Rod End		MC565-548-041 MCS1104-3 Rod End			
172RG	All	MC9863056-8 6 MCS1104-3 Rod End	MC345-085-9	MC600-72 4 MCS2323-11 Wire Clamp			Control N/A MCS2323-7 Wire Clamp

1 Partial model eligibility.
2 If replacing P/N S1186-1 or P/N 0550158 also order RE-KT-1 hardware kit.
3 Eligible for use as a carburetor heat control only.
4 P/N MC600-72 is a vernier control. Installation is approved as a minor alteration (No STC or Form 337) and may require enlarging the instrument panel mounting hole to 3/4" diameter.
5 The original Cessna adapter P/N 0513004-16 must be used to angle the control and avoid interference behind the instrument panel.
6 To order Vernier-Assist™ throttle controls change "MC" prefix to "MCVA" prefix
Eligibility continued on next page

To order new FAA-PMA approved Vernier-Assist™ throttle controls change "MC" prefix to "MCVA" prefix.




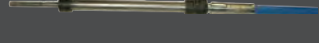






		Throttle Control 	Propeller Control 	Mixture Control 	Cowl Flap Left Hand 	Cowl Flap Right Hand 	Carb Heat Control 
Model	Serial Number	Rod End 	Rod End 	Rod End or Wire Clamp 			Wire Clamp 
F172D	All	MCS1222-2S 8 MCS1104-3 Rod End		MC600-72 6 MCS2323-2 Wire Clamp			MCS1224-4 New! MCS2323-5 Wire Clamp
F172E,F	All	MCS1222-15S 8 MCS1104-3 Rod End		MC600-72 6 MCS2323-2 Wire Clamp			MCS1224-4 MCS2323-5 Wire Clamp
F172G,H 1	F172-0180 thru F172-0559	MCS1222-15S 8 MCS1104-3 Rod End		MC600-72 6 MCS2323-2 Wire Clamp			MCS1230-7 MCS2323-5 Wire Clamp
F172H 1 ,K	F172-0560 thru F17200804	MCC299505-0203S 8 MCS1104-3 Rod End		MC600-72 6 MCS2323-2 Wire Clamp			MCS1230-17 MCS2323-5 Wire Clamp
F172L,M 1	F17200805 thru F17201034	MCC299505-0203S 8 MCS1104-3 Rod End		MC600-72 6 MCS2323-2 Wire Clamp			MCS1230-17 Wire Clamp N/A
F172M 1	F17201035 thru F17201234	MCC299505-0102 8 MCS1104-3 Rod End		MC600-72 6 MCS2323-2 Wire Clamp			
F172M 1	F17201235 thru F17201514	MCC299505-0102 8 MCS1104-3 Rod End		MC600-72 6 MCS2323-13 Wire Clamp			MCS1230-17 MCS2323-5 Wire Clamp
F172N 1	F17201515 thru F17201749	MC9863053-15 8 MCS1104-3 Rod End		MC600-72 6 MCS2323-4 Wire Clamp			MCS1230-17 MCS2323-5 Wire Clamp
F172N 1	F17201750 thru F17202039	MC9863056-3 8 MCS1104-3 Rod End		MC600-72 6 MCS2323-4 Wire Clamp			MCS1230-17 MCS2323-5 Wire Clamp
F172P	F17202040 thru F17202254	MC9863056-3 8 MCS1104-3 Rod End		MC600-72 6 MCS2323-13 Wire Clamp			MCS1230-17 MCS2323-5 Wire Clamp
FP172	All	MCS1222-4 8 MCS1106-4 Rod End	MCC299506-0105 MCS1104-3 Rod End	Control N/A MCS2323-4 Wire Clamp			Control N/A MCS2323-5 Wire Clamp
FR172E	All	Control N/A MCS1104-3 Rod End	MCS1223-17 MCS1104-3 Rod End	Control N/A MCS1104-3 Rod End			
FR172F,G,H,J 1	FR17200061 thru FR17200530	MCC299505-0204S 8 MCS1104-3 Rod End	MCC299506B0104 MCS1104-3 Rod End	Control N/A MCS1104-3 Rod End			
FR172J 1	FR17200531 thru FR17200590	MCC299505-0204S 8 MCS1104-3 Rod End	MCC299506B0104 MCS1104-3 Rod End	MC9862066-6 MCS1104-3 Rod End			
FR172K 4	FR17200591 thru FR17200630	MCS1104-3 Rod End	MCS1104-3 Rod End	MCS1104-3 Rod End	MCS1391-26 (one per aircraft)		
FR172K 1	FR17200631 thru FR17200675	MC9863055-10 8 MCS1104-3 Rod End	MCC299506B0104 MCS1104-3 Rod End	MC9862066-6 MCS1104-3 Rod End	MCS1391-26 (one per aircraft)		
P172D	All	MCS1222-4 8 MCS1106-4 Rod End	MCC299506-0105 MCS1104-3 Rod End	MC600-72 6 MCS2323-4 Wire Clamp			MCS1224-4 MCS2323-5 Wire Clamp
R172K 1 , 4	R1722000 thru R1722929	MC9863053-10 8 MCS1104-3 Rod End	MCC299506B0104 MCS1104-3 Rod End	MC9862066-6 MCS1104-3 Rod End	MCS1391-26 (one per aircraft)		
R172K 1	R1722930 thru R1723454	MC9863055-10 8 MCS1104-3 Rod End	MCC299506B0104 MCS1104-3 Rod End	MC9862066-6 MCS1104-3 Rod End	MCS1391-26 (one per aircraft)		
175 1	55001 thru 55703	MC0411091-27 8 MCS1106-4 Rod End	Control N/A MCS1104-3 2 Rod End	MC600-72 6 MCS2323-4 Wire Clamp			MC0411090-22CH 8 MCS2323-5 Wire Clamp
175 1	55704 thru 56238	MC0411091-30 8 MCS1106-4 Rod End	Control N/A MCS1104-3 2 Rod End	MC600-72 6 MCS2323-4 Wire Clamp			MC0713302-5CH 8 MCS2323-5 Wire Clamp
175A	All	MCS1222-4 8 MCS1106-4 Rod End	Control N/A MCS1104-3 2 Rod End	MC600-72 6 MCS2323-4 Wire Clamp			MC0713302-5CH 8 MCS2323-5 Wire Clamp
175B,C	All	MCS1222-4 8 MCS1106-4 Rod End	Control N/A MCS1104-3 2 Rod End	MC600-72 6 MCS2323-4 Wire Clamp			MCS1224-4 MCS2323-5 Wire Clamp
177	All	MCS1222-19 8 MCS1104-3 Rod End	Control N/A MCS1104-3 Rod End	MC600-72 6 MCS2323-2 Wire Clamp			MCS1788-2 Wire Clamp N/A
177A	All	MCC299505-0301 8 MCS1104-3 Rod End	Control N/A MCS1104-3 Rod End	MC600-72 6 MCS2323-4 Wire Clamp			MCS1230-19 MCS2323-5 Wire Clamp
177B 1	17701371 thru 17702539	MCC299505-0301 8 MCS1104-3 Rod End	MCC299506-0105 MCS1104-3 Rod End	MC600-72 6 MCS2323-4 Wire Clamp	MCS1391-25	MCS1391-26	MCS1230-19 MCS2323-5 Wire Clamp
177B 1	17702540 thru 17702752	MC565-549-013 8 MCS1104-3 Rod End	MC345-085-4 MCS1104-3 Rod End	MC600-72 6 Wire Clamp N/A	MCS1391-25	MCS1391-26	MCS1230-19 MCS2323-5 Wire Clamp
177RG 1	177RG0001 thru 177RG1051	MCC299505-0401 8 MCS1104-3 Rod End	MCC299506-0105 MCS1104-3 Rod End	MCC299507-0102 MCS1104-3 Rod End	MCS1391-27	MCS1391-27	
177RG 1	177RG1052 thru 177RG1366	Control N/A MCS1104-3 Rod End	MC345-085-4 MCS1104-3 Rod End	Control N/A MCS1104-3 Rod End	MCS1391-27	MCS1391-27	
F177RG 1	F177RG0001 thru F177RG0160	MCC299505-0401 8 MCS1104-3 Rod End	MCC299506-0105 MCS1104-3 Rod End	MCC299507-0102 MCS1104-3 Rod End			
F177RG 1	F177RG0161 thru F177RG0177		MC345-085-4 Rod End N/A				
180 1	30000 thru 32150	MCS1222-1S 8 MCS1106-4 Rod End	MCS1223-4 MCS1104-3 2 Rod End	MC600-72 6 MCS2323-4 Wire Clamp	MC0713041-1 or MC0713041-1B 7 (Dual control, one per aircraft)		MC0411090-22CH 8 MCS2323-5 Wire Clamp
180 1	32151 thru 32160	MCS1222-1S 8 MCS1106-4 Rod End	MCS1223-4 MCS1104-3 2 Rod End	MC600-72 6 MCS2323-4 Wire Clamp	MC0713041-1 or MC0713041-1B 7 (Dual control, one per aircraft)		Control N/A MCS2323-5 Wire Clamp
180 1 ,180A	32161 thru 50355	MCS1222-1S 8 MCS1106-4 Rod End	MCS1223-4 MCS1104-3 2 Rod End	MC600-72 6 MCS2323-4 Wire Clamp	MC0713041-1 or MC0713041-1B 7 (Dual control, one per aircraft)		MC0713050-2 MCS2323-5 Wire Clamp
180B	50356 thru 50661	MCS1222-1S 8 MCS1106-4 Rod End	MCS1223-4 MCS1104-3 2 Rod End	MC0713050-2 8 , 6 MCS2323-4 Wire Clamp	MC0713041-1 or MC0713041-1B 7 (Dual control, one per aircraft)		MC0713050-2 MCS2323-5 Wire Clamp
180C	All	MCS1222-1S 8 MCS1106-4 Rod End	MCS1223-4 MCS1104-3 2 Rod End	MC0713050-2 8 , 6 MCS2323-4 Wire Clamp	MC0713306-1 (Dual control, one per aircraft)		MC0713302-5CH 8 MCS2323-5 Wire Clamp
180D,E	All	MCS1222-1S 8 MCS1106-4 Rod End	MCS1223-4 MCS1104-3 2 Rod End	MC600-72 6 MCS2323-4 Wire Clamp	MCS1245-1	MCS1245-2	MC0713302-5CH 8 MCS2323-5 Wire Clamp
180F	All	MCS1222-1S 8 MCS1106-4 Rod End	MCS1223-4 MCS1104-3 Rod End	MC600-72 6 MCS2323-4 Wire Clamp	MCS1245-1	MCS1245-2	MCS1230-2 MCS2323-5 Wire Clamp

1 Partial model eligibility.
2 If replacing P/N S1186-1 or P/N 0550158 also order RE-KT-1 hardware kit.
3 Eligible for use as a carburetor heat control only.
4 S/Ns FR17200591 thru FR17200620 and R1722000 thru R1722880 prop control is only eligible for installation if aircraft has been modified as per Cessna Service Letter 78-51.
5 The MC600-72 control is an approved alternate control for this aircraft. See note **6**.
6 P/N MC600-72 is a vernier control. Installation is approved as a minor alteration (No STC or Form 337) and may require enlarging the instrument panel mounting hole to 3/4" diameter.
7 See page 24 for details.
8 To order Vernier-Assist™ throttle controls change "MC" prefix to "MCVA" prefix

Eligibility continued on next page

Push-Pull Controls and Accessories Engine, Cowl Flap & Carb Heat Controls - Cessna



To order new FAA-PMA approved Vernier-Assist™ throttle controls change "MC" prefix to "MCVA" prefix.		 Throttle Control	 Propeller Control	 Mixture Control	 Cowl Flap Left Hand	 Cowl Flap Right Hand	 Carb Heat Control
Model	Serial Number	Rod End 	Rod End 	Rod End or Wire Clamp 			Wire Clamp 
180G	All	MCS1222-1S 5 MCS1106-4 Rod End	MCS1223-4 MCS1104-3 Rod End	MC600-72 4 MCS2323-4 Wire Clamp	MCS1245-3	MCS1245-2	MCS1230-2 MCS2323-5 Wire Clamp
180H 1	18051446 thru 18051875	MCS1222-13S 5 MCS1106-4 Rod End	MCS1223-5 MCS1104-3 Rod End	MC600-72 4 MCS2323-4 Wire Clamp	MCS1572-1	MCS1245-2	MCS1230-2 MCS2323-5 Wire Clamp
180H 1 , J	18051876 thru 18052770	MCC299505-0201S 5 MCS1106-4 Rod End	MCC299506-0103 MCS1104-3 Rod End	MC600-72 4 MCS2323-4 Wire Clamp	MCS1572-1	MCS1245-2	MCS1230-19 MCS2323-5 Wire Clamp
180K 1	18052771 thru 18053000	MC9863053-5 5 MCS1106-4 Rod End	MC345-085-3 MCS1104-3 Rod End	Control N/A MCS2323-4 Wire Clamp	MC9860074-3	MC9860074-4	MCS1230-19 MCS2323-5 Wire Clamp
180K 1	18053001 thru 18053203	MC9863055-9 5 MCS1106-4 Rod End	MC345-085-3 MCS1104-3 Rod End	Control N/A MCS2323-4 Wire Clamp	MC9860074-3	MC9860074-4	MCS1230-19 MCS2323-5 Wire Clamp
182	All	MCS1222-1S 5 MCS1106-4 Rod End	MCS1223-4 MCS1104-3 2 Rod End	MC600-72 4 MCS2323-4 Wire Clamp			Control N/A MCS2323-5 Wire Clamp
182A	All	MCS1222-1S 5 MCS1106-4 Rod End	MCS1223-4 MCS1104-3 2 Rod End	MC600-72 4 MCS2323-4 Wire Clamp			MC0411090-22CH 5 MCS2323-5 Wire Clamp
182B,C	All	MCS1222-1S 5 MCS1106-4 Rod End	MCS1223-4 MCS1104-3 2 Rod End	MC0713050-2 1 5 MCS2323-4 Wire Clamp	MC0713306-1 (Dual control, one per aircraft)		MC0713302-5CH 5 MCS2323-5 Wire Clamp
182D	All	MCS1222-1S 5 MCS1106-4 Rod End	MCS1223-4 MCS1104-3 2 Rod End	MC600-72 4 MCS2323-4 Wire Clamp	MCS1245-1	MCS1245-2	MC0713302-5CH 5 MCS2323-5 Wire Clamp
182E,F,G	All	MCS1222-6S 5 MCS1106-4 Rod End	MCS1223-3 MCS1104-3 Rod End	MC600-72 4 MCS2323-4 Wire Clamp	MC9860058-3	MC9860058-4	MCS1230-3 MCS2323-5 Wire Clamp
182H,J,K	All	MCS1222-13S 5 MCS1106-4 Rod End	MCS1223-6 MCS1104-3 Rod End	MC600-72 4 MCS2323-4 Wire Clamp	MC9860058-3	MC9860058-4	MCS1230-3 MCS2323-5 Wire Clamp
182L,M,N 1	18258506 thru 18260445	MCC299505-0201S 5 MCS1106-4 Rod End	MCC299506-0102 MCS1104-3 Rod End	MC600-72 4 MCS2323-4 Wire Clamp	MC9860058-3	MC9860058-4	MCS1230-10 MCS2323-5 Wire Clamp
182N 1 , P 1	18260446 thru 18261425	MCC299505-0201S 5 MCS1106-4 Rod End	MCC299506-0102 MCS1104-3 Rod End	MC600-72 4 MCS2323-4 Wire Clamp	MC9860058-3	MC9860058-4	MCS1230-10 MCS2323-5 Wire Clamp
182P 1	18261426 thru 18264835	MCC299505-0205 5 MCS1106-4 Rod End	MCC299506-0102 MCS1104-3 Rod End	MC600-72 4 MCS2323-4 Wire Clamp	MC9860058-3	MC9860058-4	MCS1230-10 MCS2323-5 Wire Clamp
182P 1	18264836 thru 18265175	MC9863053-5 5 MCS1106-4 Rod End	MCC299506-0102 MCS1104-3 Rod End	MC600-72 4 MCS2323-4 Wire Clamp	MC9860058-3	MC9860058-4	MCS1230-10 MCS2323-5 Wire Clamp
182Q 1	18265176 thru 18266590	MC9863053-5 5 MCS1106-4 Rod End	MC9862067-3 MCS1104-3 Rod End	MC600-72 4 MCS2323-4 Wire Clamp	MC9860058-3	MC9860058-4	MCS1230-10 MCS2323-5 Wire Clamp
182Q 1	18266591 thru 18267715	MC9863055-9 5 MCS1106-4 Rod End	MC9862067-3 MCS1104-3 Rod End	MC600-72 4 MCS2323-4 Wire Clamp	MC9860058-3	MC9860058-4	MCS1230-10 MCS2323-5 Wire Clamp
182R	All	MC9863055-9 5 MCS1106-4 Rod End	MC9862067-3 MCS1104-3 Rod End	MC600-72 4 MCS2323-4 Wire Clamp	MC9860058-3	MC9860058-4	MCS1230-10 MCS2323-5 Wire Clamp
182S, 182T, T182T	All	MC565-549-031 5 MCS1104-3 Rod End	MC565-580-038 MCS1104-3 Rod End	MC565-548-042 MCS1104-3 Rod End	MC580-703-024	MC580-703-025	
A182J,K,L,N		Control N/A MCS1106-4 Rod End	Control N/A MCS1104-3 Rod End	Control N/A MCS2323-4 Wire Clamp			MCS2323-5 Wire Clamp
F182P	All	MC9863053-5 5 MCS1106-4 Rod End	MCC299506-0102 MCS1104-3 Rod End	MC600-72 4 MCS2323-4 Wire Clamp			MCS1230-10 MCS2323-5 Wire Clamp
F182Q 1	F18200026 thru F18200094	MC9863053-5 5 MCS1106-4 Rod End	MC9862067-3 MCS1104-3 Rod End	MC600-72 4 MCS2323-4 Wire Clamp			MCS1230-10 MCS2323-5 Wire Clamp
F182Q 1	F18200095 thru F18200169	MC9863055-9 5 MCS1106-4 Rod End	MC9862067-3 MCS1104-3 Rod End	MC600-72 4 MCS2323-4 Wire Clamp			MCS1230-10 MCS2323-5 Wire Clamp
FR182 1	FR18200001 thru FR18200020	MC9863053-11 5 MCS1104-3 Rod End	MC345-085-5 MCS1104-3 Rod End	Control N/A MCS2323-11 Wire Clamp			MCS1230-10 MCS2323-1 Wire Clamp
FR182 1	FR18200021 thru FR18200045	MC9863056-6 5 MCS1104-3 Rod End	MC345-085-5 MCS1104-3 Rod End	Control N/A MCS2323-11 Wire Clamp			MCS1230-10 MCS2323-1 Wire Clamp
FR182 1	FR18200046 thru FR18200070	MC9863056-6 5 MCS1104-3 Rod End	MC345-085-8 MCS1104-3 Rod End	Control N/A MCS2323-11 Wire Clamp			MCS1230-10 MCS2323-1 Wire Clamp
R182 1	R18200001 thru R18200583	MC9863053-11 5 MCS1104-3 Rod End	MC345-085-5 MCS1104-3 Rod End	Control N/A MCS2323-11 Wire Clamp	MC9860075-3	MC9860075-4	MCS1230-10 MCS2323-1 Wire Clamp
R182 1	R18200584 thru R18201313	MC9863056-6 5 MCS1104-3 Rod End	MC345-085-5 MCS1104-3 Rod End	Control N/A MCS2323-11 Wire Clamp	MC9860075-3	MC9860075-4	MCS1230-10 MCS2323-1 Wire Clamp
R182 1	R18201314 thru R18202041	MC9863056-6 5 MCS1104-3 Rod End	MC345-085-8 MCS1104-3 Rod End	Control N/A MCS2323-11 Wire Clamp	MC9860075-3	MC9860075-4	MCS1230-10 MCS2323-1 Wire Clamp
T182	All	MC9863056-7 5 Rod End N/A	MC345-085-8 MCS1104-3 Rod End	Control N/A MCS2323-11 Wire Clamp	MC9860075-3	MC9860075-4	Control N/A MCS2323-3 Wire Clamp
TR182 1	R18200584 thru R18201313	MC9863056-7 5 MCS1104-3 Rod End	MC345-085-6 MCS1104-3 Rod End	Control N/A MCS2323-11 Wire Clamp	MC9860075-3	MC9860075-4	Control N/A MCS2323-3 Wire Clamp
TR182 1	R18201314 thru R18202041	MC9863056-7 5 MCS1104-3 Rod End	MC345-085-8 MCS1104-3 Rod End	Control N/A MCS2323-11 Wire Clamp	MC9860075-3	MC9860075-4	Control N/A MCS2323-3 Wire Clamp
185	All	MC1213228-3 5 MCS1104-3 Rod End	MCS1223-5 MCS1104-3 Rod End	MC1213229-2 MCS1104-3 Rod End	MCS1245-3	MCS1245-2	MCS1230-2 Wire Clamp N/A
185A,B,C,D,E	All	MCS1294-1 5 MCS1104-3 Rod End	MCS1223-5 MCS1104-3 Rod End	MCS1220-4 MCS1104-3 Rod End	MCS1572-1	MCS1245-2	MCS1230-2 Wire Clamp N/A
A185E 1	185-0968 thru 185-1300	MCS1294-1 5 MCS1104-3 Rod End	MCS1223-5 MCS1104-3 Rod End	MCS1220-4 MCS1104-3 Rod End	MCS1572-1	MCS1245-2	MCS1230-2 Wire Clamp N/A
A185E 1	185-1301 thru 18502007	MCC299505-0301 5 MCS1104-3 Rod End	MCC299506-0103 MCS1104-3 Rod End	MCC299507-0201 MCS1104-3 Rod End	MCS1572-1	MCS1245-2	
A185E 1	18502008 thru 18502025	MCC299505-0501 5 MCS1104-3 Rod End	MCC299506-0201 MCS1104-3 Rod End	MCC299507-0401 MCS1104-3 Rod End	MCS1572-1	MCS1245-2	
A185E 1	18502026 thru 18502027	MCC299505-0301 5 MCS1104-3 Rod End	MCC299506-0103 MCS1104-3 Rod End	MCC299507-0201 MCS1104-3 Rod End	MCS1572-1	MCS1245-2	
A185E 1	18502028 thru 18502090	MCC299505-0501 5 MCS1104-3 Rod End	MCC299506-0201 MCS1104-3 Rod End	MCC299507-0401 MCS1104-3 Rod End	MCS1572-1	MCS1245-2	

Push-Pull Controls and Accessories

1 Partial model eligibility.
2 If replacing P/N S1186-1 or P/N 0550158 also order RE-KT-1 hardware kit.
3 P/N MC600-72 is a vernier control. Installation is approved as a minor alteration (No STC or Form 337) and may require enlarging the instrument panel mounting hole to 3/4" diameter.
4 To order Vernier-Assist™ throttle controls change "MC" prefix to "MCVA" prefix
5 The MC600-72 control is an approved alternate control for this aircraft. See note **4**.

Eligibility continued on next page

Push-Pull Controls and Accessories





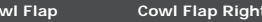





To order new FAA-PMA approved Vernier-Assist™ throttle controls change "MC" prefix to "MCVA" prefix.		Throttle Control			Propeller Control			Mixture Control			Cowl Flap Left Hand		Cowl Flap Right Hand		Carb Heat Control	
		Rod End	Rod End	Rod End or Wire Clamp	Rod End	Rod End	Rod End	Wire Clamp	Wire Clamp	Wire Clamp	Wire Clamp	Wire Clamp	Wire Clamp	Wire Clamp		
Model	Serial Number															
A185F1	18502091 thru 18502310	MCC299505-0501 2	MCC299506-0201	MCC299507-0401	MCS1104-3 Rod End	MCS1104-3 Rod End	MCS1104-3 Rod End	MCS1572-1	MCS1245-2							
A185F1	18502311 thru 18503153	MCC299505-0501 2	MCC299506-0201	MCC299507-0401	MCS1104-3 Rod End	MCS1104-3 Rod End	MCS1104-3 Rod End	MCS1572-1	MCS1245-2							
A185F1	18503154 thru 18503683	MC9863053-17 2	MC345-085-7	MC9862066-3	MCS1104-3 Rod End	MCS1104-3 Rod End	MCS1104-3 Rod End	MC9860074-3	MC9860074-4							
A185F1	18503684 thru 18504448	MC9863056-5 2	MC345-085-7	MC9862066-3	MCS1106-3 Rod End	MCS1104-3 Rod End	MCS1104-3 Rod End	MC9860074-3	MC9860074-4							
188,188A	All	MCS1391-18 2	MCS1391-19	MCS1220-13	MCS1104-3 Rod End	MCS1104-3 Rod End	MCS1104-3 Rod End						Control N/A			
188B,A-188B2	All	MCS2149-1 2	MCS2149-2	MCC299507-0301	MCS1106-3 Rod End	MCS1106-3 Rod End	MCS1106-3 Rod End						MCS2323-5 Wire Clamp			
A1882	All	MCS1106-3 Rod End	MCS1106-3 Rod End	MCS1106-3 Rod End	MCS1391-20 2	MCS1391-19	MCS1220-13						MCS2323-5 Wire Clamp			
A188A2	All	MCS1104-3 Rod End	MCS1104-3 Rod End	MCS1104-3 Rod End	MCS1104-3 Rod End	MCS1104-3 Rod End	MCS1104-3 Rod End						MCS2323-5 Wire Clamp			
A188B1,2	18802349 thru 18802745 18802349T thru 18802745T	MCS2149-1 2	MCS2149-2	MCC299507-0301	MCS1106-3 Rod End	MCS1106-3 Rod End	MCS1106-3 Rod End						Control N/A			
A188B1,2	18802746 thru 18803973 18802746T thru 18803973T	MCC299508-0301 2	MCC299508-0302	MCC299508-0401	MCS1106-3 Rod End	MCS1106-3 Rod End	MCS1106-3 Rod End						MCS2323-5 Wire Clamp			
T188C	All	MCC299508-0303 2	MCC299508-0304	MCC299508-0402	MCS1106-3 Rod End	MCS1106-3 Rod End	MCS1106-3 Rod End						Control N/A			
190	All	MC0411091-4 2	MC0311031-1	Control N/A	MCS1106-3 Rod End	MCS1104-3 Rod End	MCS1104-3 Rod End						MCS2323-5 Wire Clamp			
195,195A,B	All	MC0411091-4 2	MC0311031-2	Control N/A	MCS1106-3 Rod End	MCS1104-3 Rod End	MCS1104-3 Rod End									
210-5 (205) 210-5A (205A)	All	MCS1219-1 2	MCS1223-17	MCS1220-3	MCS1104-3 Rod End	MCS1104-3 Rod End	MCS1104-3 Rod End	MCS1244-5	MCS1244-31							
206	All	MCS1219-1 2	MCS1223-17	MCS1220-3	MCS1104-3 Rod End	MCS1104-3 Rod End	MCS1104-3 Rod End	MCS1244-5	MCS1244-31							
206H	All	MC565-549-041 2	MC565-580-012	MC565-548-043	MCS1104-3 Rod End	MCS1104-3 Rod End	MCS1104-3 Rod End	MC580-703-026	MC580-703-027							
P206,P206A,B	All	MCS1222-10A 2	MCS1223-4	MCS1220-3	MCS1104-3 Rod End	MCS1104-3 Rod End	MCS1104-3 Rod End	MCS1244-5	MCS1244-31							
P206C,D,E	All	MCC299505-0101 2	MCC299506-0101	MCC299507-0101	MCS1104-3 Rod End	MCS1104-3 Rod End	MCS1104-3 Rod End	MCS1244-5	MCS1244-31							
T206H	All	MC565-549-041 2	MC565-580-012	MC565-548-043	MCS1104-3 Rod End	MCS1104-3 Rod End	MCS1104-3 Rod End	MC580-703-026	MC580-703-027							
TP206A1	P2060161 thru P2060274	MCS1222-10A 2	MCS1223-4	MCS1220-3	MCS1104-3 Rod End	MCS1104-3 Rod End	MCS1104-3 Rod End	MCS1244-5	MCS1244-31							
TP206A1, B	P2060275 thru P2060419	MCS1104-3 Rod End	MCS1104-3 Rod End	MCS1104-3 Rod End	MCS1104-3 Rod End	MCS1104-3 Rod End	MCS1104-3 Rod End	MCS1244-32	MCS1244-31							
TP206C,D,E	All	MCC299505-0101 2	MCC299506-0101	MCC299507-0101	MCS1104-3 Rod End	MCS1104-3 Rod End	MCS1104-3 Rod End	MCS1244-32	MCS1244-31							
TU206A1	U2060438 thru U2060617	MCS1222-10A 2	MCS1223-4	MCS1220-3	MCS1104-3 Rod End	MCS1104-3 Rod End	MCS1104-3 Rod End	MCS1244-5	MCS1244-31							
TU206A1, B	U2060618 thru U206-0914	MCS1104-3 Rod End	MCS1104-3 Rod End	MCS1104-3 Rod End	MCS1104-3 Rod End	MCS1104-3 Rod End	MCS1104-3 Rod End	MCS1244-32	MCS1244-31							
TU206C,D,E,F	All	MCC299505-0101 2	MCC299506-0101	MCC299507-0101	MCS1104-3 Rod End	MCS1104-3 Rod End	MCS1104-3 Rod End	MCS1244-32	MCS1244-31							
TU206G1	U20603522 thru U20604649	MC9863053-13 2	MC9862067-1	MC9862066-1	MCS1104-3 Rod End	MCS1104-3 Rod End	MCS1104-3 Rod End	MCS1244-32	MCS1244-31							
TU206G1	U20604650 thru U20607020	MC9863056-2 2	MC9862067-1	MC9862066-1	MCS1104-3 Rod End	MCS1104-3 Rod End	MCS1104-3 Rod End	MCS1244-32	MCS1244-31							
U206,U206A,B	All	MCS1104-3 Rod End	MCS1104-3 Rod End	MCS1104-3 Rod End	MCS1104-3 Rod End	MCS1104-3 Rod End	MCS1104-3 Rod End	MCS1244-5	MCS1244-31							
U206C,D,E	All	MCC299505-0101 2	MCC299506-0101	MCC299507-0101	MCS1104-3 Rod End	MCS1104-3 Rod End	MCS1104-3 Rod End	MCS1244-5	MCS1244-31							
U206F1	U20601701 thru U20602199	MCC299505-0101 2	MCC299506-0101	MCC299507-0101	MCS1104-3 Rod End	MCS1104-3 Rod End	MCS1104-3 Rod End	MCS1244-5	MCS1244-31							
U206F1	U20602200 thru U20603521	MCS1104-3 Rod End	MCS1104-3 Rod End	MCS1104-3 Rod End	MCS1104-3 Rod End	MCS1104-3 Rod End	MCS1104-3 Rod End	MCS1244-32	MCS1244-31							
U206G1	U20603522 thru U20604649	MC9863053-13 2	MC9862067-1	MC9862066-1	MCS1104-3 Rod End	MCS1104-3 Rod End	MCS1104-3 Rod End	MCS1244-32	MCS1244-31							
U206G1	U20604650 thru U20607020	MC9863056-2 2	MC9862067-1	MC9862066-1	MCS1104-3 Rod End	MCS1104-3 Rod End	MCS1104-3 Rod End	MCS1244-32	MCS1244-31							
207,T207	All	MCS1222-25A 2	MCS1223-16	MCS1220-12A	MCS1104-3 Rod End	MCS1104-3 Rod End	MCS1104-3 Rod End	MCS1244-29	MCS1244-30							
207A1 T207A1	20700363 thru 20700482	MC9863053-16 2	MC9862067-12	MC9862066-5	MCS1104-3 Rod End	MCS1104-3 Rod End	MCS1104-3 Rod End	MCS1244-29	MCS1244-30							
207A1 T207A1	20700483 thru 20700788	MC9863056-4 2	MC9862067-12	MC9862066-5	MCS1104-3 Rod End	MCS1104-3 Rod End	MCS1104-3 Rod End	MCS1244-29	MCS1244-30							
210,210A	All	MC1213228-2 2	MCS1223-17	MC1213229-1	MCS1104-3 Rod End	MCS1104-3 Rod End	MCS1104-3 Rod End	MC1213040-1	MC1213040-2							
210B,C,D	All	MCS1219-1 2	MCS1223-17	MCS1220-3	MCS1104-3 Rod End	MCS1104-3 Rod End	MCS1104-3 Rod End	MCS1244-5	MCS1244-31							
210E,F,G	All	MCS1222-10A 2	MCS1223-4	MCS1220-3	MCS1104-3 Rod End	MCS1104-3 Rod End	MCS1104-3 Rod End	MCS1244-5	MCS1244-31							
210H,J	All	MCC299505-0101 2	MCC299506-0101	MCC299507-0101	MCS1104-3 Rod End	MCS1104-3 Rod End	MCS1104-3 Rod End	MCS1244-5	MCS1244-31							
210K1	21059200 thru 21059240	MCC299505-0101 2	MCC299506-0101	MCC299507-0101	MCS1104-3 Rod End	MCS1104-3 Rod End	MCS1104-3 Rod End	MCS1244-5	MCS1244-31							

1 Partial model eligibility.
 2 To order Vernier-Assist™ throttle controls change "MC" prefix to "MCVA" prefix.
 3 Controls not eligible for A188, A188A, or A188B with Continental O-470 engine.
 4 If replacing P/N S1186-1 or P/N Q550158 also order RE-KT-1 hardware kit.

Eligibility continued on next page

Push-Pull Controls and Accessories Engine, Cowl Flap & Carb Heat Controls - Cessna




To order new FAA-PMA approved Vernier-Assist™ throttle controls change "MC" prefix to "MCVA" prefix.		 Throttle Control	 Propeller Control	 Mixture Control	 Cowl Flap Left Hand	 Cowl Flap Right Hand	 Carb Heat Control
Model	Serial Number	 Rod End	 Rod End	 Rod End or Wire Clamp			 Wire Clamp
210K ¹ ,L	21059241 thru 21061573	MCC299505-0101 ² MCS1104-3 Rod End	MCC299506-0101 MCS1104-3 Rod End	MCC299507-0101 MCS1104-3 Rod End	MCS1244-32	MCS1244-31	
210M	All	MC9863053-13 ² MCS1104-3 Rod End	MC9862067-1 MCS1104-3 Rod End	MC9862066-1 MCS1104-3 Rod End	MCS1244-32	MCS1244-31	
210N	All	MC9863056-2 ² MCS1104-3 Rod End	MC9862067-1 MCS1104-3 Rod End	MC9862066-1 MCS1104-3 Rod End	MCS1244-32	MCS1244-31	
210R	All	MCC299513-0101 ² MCS1104-3 Rod End	Control N/A MCS1104-3 Rod End	Control N/A MCS1104-3 Rod End			
P210N ¹	P21000001 thru P21000150	MC9863053-13 ² MCS1104-3 Rod End	MC9862067-1 MCS1104-3 Rod End	MC9862066-1 MCS1104-3 Rod End	MCS1244-32	MCS1244-31	
P210N ¹	P21000151 thru P21000834	MC9863056-2 ² MCS1104-3 Rod End	MC9862067-1 MCS1104-3 Rod End	MC9862066-1 MCS1104-3 Rod End	MCS1244-32	MCS1244-31	
P210R	All	MCC299513-0101 ² MCS1104-3 Rod End	Control N/A MCS1104-3 Rod End	Control N/A MCS1104-3 Rod End	Control N/A MCS1106-3 Rod End	Control N/A MCS1106-3 Rod End	
T210F	All	MCS1222-10A ² MCS1104-3 Rod End	MCS1223-4 MCS1104-3 Rod End	MCS1220-3 MCS1104-3 Rod End	MCS1244-5	MCS1244-31	
T210G	All	MCS1222-10A ² MCS1104-3 Rod End	MCS1223-4 MCS1104-3 Rod End	MCS1220-3 MCS1104-3 Rod End	MCS1244-32	MCS1244-31	
T210H,J	All	MCC299505-0101 ² MCS1104-3 Rod End	MCC299506-0101 MCS1104-3 Rod End	MCC299507-0101 MCS1104-3 Rod End	MCS1244-32	MCS1244-31	
T210K ¹	21059200 thru 21059240	MCC299505-0101 ² MCS1104-3 Rod End	MCC299506-0101 MCS1104-3 Rod End	MCC299507-0101 MCS1104-3 Rod End	MCS1244-5	MCS1244-31	
T210K ¹ ,L	21059241 thru 21061573	MCC299505-0101 ² MCS1104-3 Rod End	MCC299506-0101 MCS1104-3 Rod End	MCC299507-0101 MCS1104-3 Rod End	MCS1244-32	MCS1244-31	
T210M	All	MC9863053-13 ² MCS1104-3 Rod End	MC9862067-1 MCS1104-3 Rod End	MC9862066-1 MCS1104-3 Rod End	MCS1244-32	MCS1244-31	
T210N	All	MC9863056-2 ² MCS1104-3 Rod End	MC9862067-1 MCS1104-3 Rod End	MC9862066-1 MCS1104-3 Rod End	MCS1244-32	MCS1244-31	
T210R	All	MCC299513-0101 ² MCS1104-3 Rod End	Control N/A MCS1104-3 Rod End	Control N/A MCS1104-3 Rod End	Control N/A MCS1106-4 Rod End	Control N/A MCS1106-4 Rod End	

¹ Partial model eligibility.

² To order Vernier-Assist™ throttle controls change "MC" prefix to "MCVA" prefix

Push-Pull Controls and Accessories

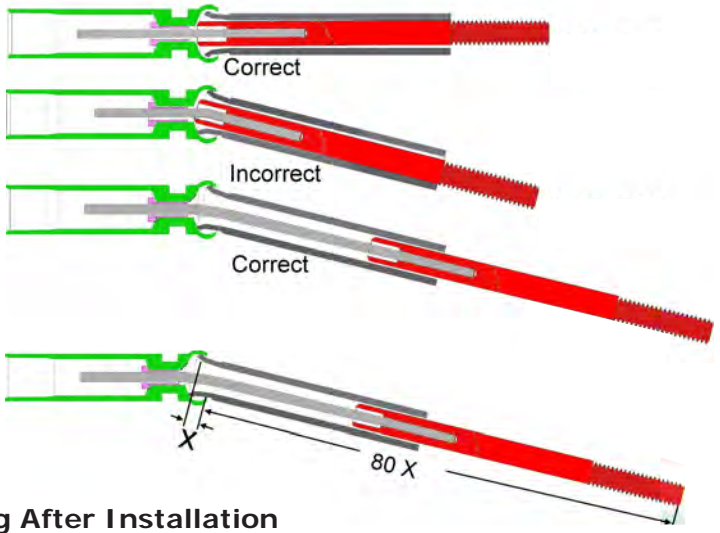


Maintenance Tip:

McFarlane does not recommend any lubrication of our controls, especially the throttle control. A special laminated leather packing is used on our throttle controls to allow smooth friction adjustments as the friction nut is rotated. When lubrication is applied to the control (even at the engine end), the oil can work up the inner core cable and conduit to the leather packing area causing loss of locking friction. The McFarlane controls are built with a self-lubricating Teflon® liner and a stainless steel inner core. A lifetime anti-seize paste lubricant is applied in specific areas to prevent galling and control lockup if the control becomes contaminated in service. The oil can compromise the anti-seize compound installed at the factory. McFarlane and Cessna both recommend new controls at time intervals equal to engine overhaul. Engine controls absorb tremendous vibration over an engine service cycle and the resultant wear and damage cannot be seen from the control exterior. The rubber boots must be kept in good condition as they keep contamination out and are critical to prevent vibration wear. Never re-install a control that has excess friction as this friction is the best indicator of overload internal damage and pending failure.

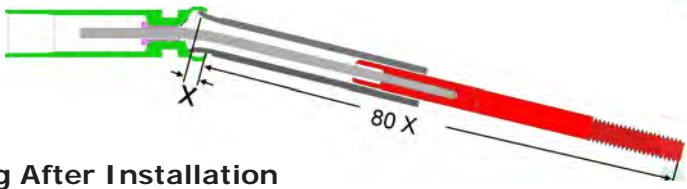
Engine Control Rigging

- Pushrod must be extended when angled
- Inner flex cable is stressed when pushrod is retracted and angled




Engine Controls Can Be Damaged

- The pushrod has extreme leverage on the swivel joint
- Do not sideload the pushrod during installation



Always Replace Vibration Boots and Spring After Installation

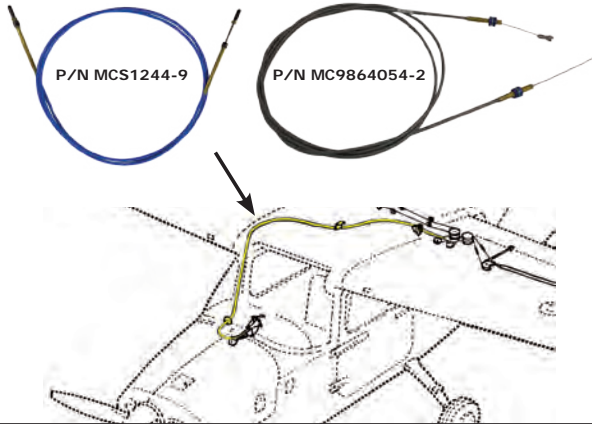
- Stops vibration erosion and wear
- Seals out dirt



Push-Pull Controls and Accessories

Cessna Flap Indicator Cables

- Ours actually work!
- Reduced friction, longer life
- Restore reliability
- Save \$\$\$



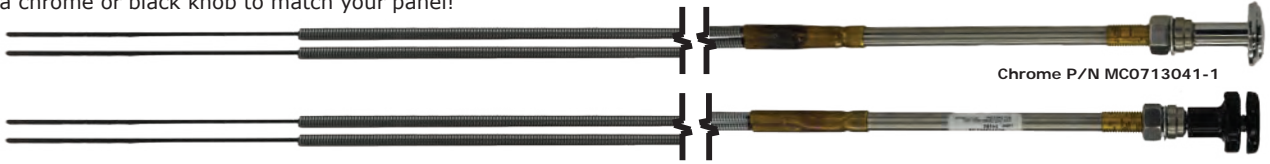
Aircraft	Serial Number	Part Number	Description
150F,G, F150F,G	15061533 thru 15067198	MC0413416-2	Tube
		MC0413416-6	Cable
150H,J,K,L,M	15067199 thru 15078505		
A150K,L,M	A1500001 thru A1500684	MC0413416-11	Tube
F150H,J,K,L,M	F150-0220 thru F15001338	MC0413416-6	Cable
FA150K,L,M	FA1500001 thru F1500311		
150M	15078506 thru 15079405		
A150M	A1500685 thru A1500734	MC9864054-2	Cable
F150M	F15001339 thru F15001428	MC0413416-6	Cable
FA150M	FA1500312 thru FA1500336		
152, A152, F152, FA152	All	MC9864054-2	Cable
172N,P,Q,R,S, 172RG, F172N,P, FR172K, R172K	All	MC9864054-1	Cable
177B	17701634 thru 17702592	MC9864050-200	Control
177RG	177RG0213 thru 177RG1088		
F177RG	F177RG0043 thru F177RG0172		
	17702593 thru 17702752	MC9864050-10	
FR182, R182, TR182	FR18200001 thru FR18200070	MC9864050-12	Control
	R18200001 thru R18201384		
	R18201385 thru R18202041	MCS2083-2	Control
206H, T206H	All	MC9864050-3	Control
207, T207	20700001 thru 20700314	MC9860058-2	Control
	20700315 thru 20700362	MC9864050-2	Control
210H,J,K,L,M,N	21058937 thru 21063174		
T210H,J,K,L,M,N	T210-0308 thru 21063174	MCS1244-9	Control
210N, 210R, T210N, T210R	21063169, 21063175 thru 21064975	MC9864050-16	Control
P210N, P210R	P21000197, P21000213 thru P21000874		

Partial model eligibility.

Dual Cowl Flap Controls for Cessna Aircraft

Models 180, 180A and 180B

- Solid wire ends
- Choose a chrome or black knob to match your panel!



Chrome P/N MC0713041-1

Black P/N MC0713041-1B

Models 180C, 182B and 182C

P/N MC0713306-1

- Higher locking force than the original prevents cowl flap slippage
- Superior low friction Teflon lined conduit to reduce wear
- Heavier inner wire and conduit mean less deflection under load
- Powder coated aluminum knob for a durable finish
- Push rod ends



P/N MC0713306-1

Starter Control Cable

P/N 0513142-14

- Manufactured by Cessna
- Panel Mounted
- Fits some earlier model Cessna aircraft

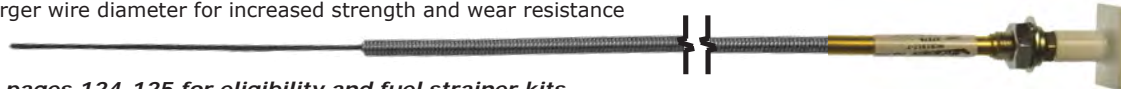


Fuel Strainer Drain Cables

No more plastic knobs in the engine compartment

MCS1517 Series

- Improved aluminum knob with easier to read lettering
- Stainless steel conduit for improved corrosion resistance
- Larger wire diameter for increased strength and wear resistance



See pages 124-125 for eligibility and fuel strainer kits.

Vacuum Pump Wrench

Finally a vacuum pump wrench that can get into those really tight spots!

P/N TOOL133 (use for small pumps)

P/N TOOL133-L (use for large pumps)

A different wrench for the two sizes of pumps (one wrench can't do both pumps well)

- Heat treated tool steel
- Precision made
- 1/4" square drive
- Black oxide finish



Torque wrench friendly!



Cabin Environment and Fuel Shut Off Controls for Cessna Aircraft

- Special, heavier wire for more fatigue strength and reliability
- Improved push-to-unlock mechanism - more holding strength
- Longer life
- High temperature Teflon lined conduit
- Reduced vibration wear
- Most knobs match originally equipped knobs



Push-Pull Controls and Accessories



Aircraft	Serial Number	Part Number	Aux Cabin Air	Cabin Air	Cabin Air LH	Cabin Air RH	Cabin Heat	Cabin Vent.	Cold Air	Defrost	Fuel Shut Off	Fuel Valve	Fwd Air
180F,G,H	18051184 thru 18051875	MCS1241-1					•						
182E,F,G,H,J,K	All	MCS1241-1		•			•						
182L,M,N	18258506 thru 18260445	MCS1241-27		•			•						
182N	18260446 and On	MCS1241-34					•						
F182P,Q, FR182	All	MCS1241-34					•						
R182, T182, T182T ,TR182	All	MCS1241-34					•						
185, 185A	185-0001 thru 185-0413	MCS1241-1					•						
185A	185-0414 thru 185-0653	MCS1241-1					•					•	
185C	All	MCS1241-1					•						
185D,E	All	MCS1241-1					•				•		
A185E	185-0968 thru 185-1300	MCS1241-1					•				•		
	185-1301 thru 185-1599	MCS1241-27									•		
	18501600 thru 18501679	MCS1241-34									•		
188B	18800986 thru 18801824	MCS1241-34						•					
	18801825 thru 18802348	MCS1241-34	•										
	18800986 thru 18801824T	MCS1241-34						•					
A188B, A188B (w/large hopper)	18801825 thru 18802348T	MCS1241-34	•										
	18802349 thru 18802745T	MCS1241-34	•						•				
	18802746 thru 18803973T	MCS1241-34							•				
T188C	All	MCS1241-34								•			
210-5(205)	205-0001 thru 205-0126	MCS1241-1	•	•		•	•						
	205-0127 and On	MCS1241-1	•	•	•	•	•						
206	All	MCS1241-1	•	•			•						
206H	20600001 thru 20608082	MCS1241-34		•			•						
	20608083 and On	MCS1241-34		•			•			•			
P206, P206A,B	All	MCS1241-1	•	•			•						
P206C,D	All	MCS1241-27	•	•			•						
P206E	U20601445 thru U20601587	MCS1241-34		•			•						
T206H	T20608001 thru T20608146	MCS1241-34		•			•						
	T20608147 and On	MCS1241-34		•			•			•			
TP206A,B	All	MCS1241-1					•						
TP206C	All	MCS1241-27	•	•			•						
TP206D,E	All	MCS1241-27					•						
TU206A	All	MCS1241-1					•						
TU206B	All	MCS1241-1	•	•			•						
TU206C,D	All	MCS1241-27	•	•			•						
TU206E,F	U20601445 thru U20602199	MCS1241-27		•			•						
TU206F	U20602200 thru U20603521	MCS1241-34		•			•						
TU206G	All	MCS1241-34		•			•			•			
U206	All	MCS1241-1		•			•						
U206A,B	All	MCS1241-1	•	•			•						
U206C,D	All	MCS1241-27	•	•			•						
U206E,F	All	MCS1241-34		•			•						
U206G	All	MCS1241-34		•			•			•			
207, T207	20100001 thru 20700148	MCS1241-27	•	•			•						
	20700149 thru 20700362	MCS1241-34		•			•						
207A, T207A	All	MCS1241-34		•			•			•			
210B	21057841 thru 21057940	MCS1241-1			•		•						
	21057941 thru 21058085	MCS1241-1				•	•						
210C	All	MCS1241-1				•	•						
210D	All	MCS1241-1				•	•						
210E	All	MCS1241-1	•			•	•						
210F	All	MCS1241-1	•				•						
210G	All	MCS1241-1	•	•			•						
210H,J	All	MCS1241-27	•	•			•						
210K,L,M,N,R	All	MCS1241-34		•			•						
P210N,R	All	MCS1241-34											•
T210F	All	MCS1241-1	•				•						
T210G	All	MCS1241-1	•	•			•						
T210H,J	All	MCS1241-27	•	•			•						
T210K,L,M,N,R	All	MCS1241-34		•			•						

Partial model eligibility

Vernier-Assist™ Throttle Controls

Precision Control

New roller action vernier provides smooth jam-proof coarse and fine adjustment.

- Jam-proof safety
- Precision power adjustments
- Smooth friction control
- Light and compact
- Standard vernier action, without the button!



Throttle, Mixture and Propeller Controls

- All metal construction
- Pilot friendly knobs
- Lifetime lubrication
- Superior low friction conduit

Carb Heat and Alt Air Controls

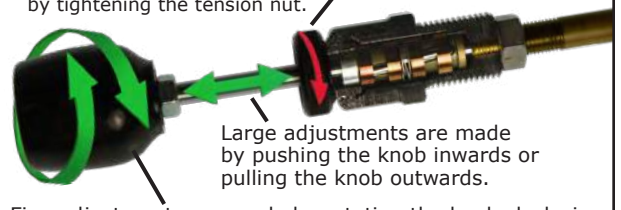
Longer life and save up to \$200.00

- The most commonly replaced controls just got better
- Special, heavier wire for more fatigue strength and reliability
- Improved friction mechanism
- Reduced vibration wear
- Anti-rotate feature to reduce stress on the inner wire
- High temperature Teflon lined conduit

New MCVA Throttle Series

Vernier and friction lock - The best of both!

Tension and vernier action is increased by tightening the tension nut.



Large adjustments are made by pushing the knob inwards or pulling the knob outwards.

Fine adjustments are made by rotating the knob clockwise or counterclockwise. The McFarlane Vernier-Assist™ throttle control uses a patented roller action and does not use a positive lock thread engagement. For extreme conduit routing or heavy carburetor load installations, slight inward or outward assist pressure could be required during rotation.

Patent No. 8,485,057 B1



New! Controls for Piper Super Cub Aircraft!

Model	Serial Number	Throttle Control	Propeller Control	Mixture Control	Carb Heat or Alt Air Control
PA-18, PA-18S	All	MC12694-002 New! MC12694-000 New!		MC454-120 5 7 or MC600-72 8	MC454-120 2
PA-18"105" (Special)	All	MC12694-003 New!		MC454-120 5 7 or MC600-72 8	MC454-120 2
PA-18"125" (Army L-21A)	All	MC12694-003 New!		MC454-120 5 7 or MC600-72 8	MC454-120 2
PA-18"135" (Army L-21B)	All	MC12694-003 New!		MC454-120 5 7 or MC600-72 8	MC454-120 2
PA-18"150"	All	MC12694-003 New!		MC454-120 5 7 or MC600-72 8	MC454-120 2
PA-18A, PA-18A"135",A"150"	All	MC12694-003 New!		MC454-120 5 7 or MC600-72 8	MC454-120 2
PA-18AS"125", AS"135", AS"150"	All	MC12694-003 New!		MC454-120 5 7 or MC600-72 8	MC454-120 2
PA-18S"105",S"125",S"135"	All	MC12694-003 New!		MC454-120 5 7 or MC600-72 8	MC454-120 2
PA-18S "150"	1809001 thru 1809113	MC12694-003 New!		MC454-120 5 7 or MC600-72 8	MC454-120 3
PA-18S "150"	18-3771 thru 18-8309025	MC12694-003 New!		MC454-120 5 7 or MC600-72 8	MC454-120 2
PA-19, PA19S,L-18C	All			MC600-72	
PA-20, PA-20S	20-01 thru 20-811	MC455-139 or MCVA455-139 11		MC454-120 5 7 or MC600-72 8	MC454-120 2
PA-20, PA-20S	20-812 thru 20-1121	MC455-139 or MCVA455-139 11		MC454-120 5 7 or MC600-72 8	MC454-120 2
PA-20, PA-20S	20-1122 and On			MC454-120 5 7 or MC600-72 8	MC454-120 2
PA-20"115", PA-20S"115"	20-01 thru 20-1121	MC455-139 or MCVA455-139 11		MC454-120 5 7 or MC600-72 8	MC454-120 2
PA-20"115", PA-20S"115"	20-1122 and On			MC454-120 5 7 or MC600-72 8	MC454-120 2
PA-20"135", PA-20S"135"	20-877 thru 20-1121	MC455-139 or MCVA455-139 11		MC454-120 5 7 or MC600-72 8	MC454-120 2
PA-20"135", PA-20S"135"	20-1122 and On			MC454-120 5 7 or MC600-72 8	MC454-120 2
PA-22	All	MC455-139 or MCVA455-139 11		MC454-120 5 7 or MC600-72 8	MC454-120 2
PA-22-108	22-8000 and On	MC12693-04 or MCVA12693-04 11		MC454-120 5 7 or MC600-72 8	MC454-120 11
PA-22-135	22-534 thru 22-2377	MC455-139 or MCVA455-139 11		MC454-120 5 7 or MC600-72 8	MC454-120 2
PA-22-135	22-2379 thru 22-2424	MC455-139 or MCVA455-139 11		MC454-120 5 7 or MC600-72 8	MC454-120 2
PA-22-135	22-2378, 22-2425 thru 22-3217	MC12693-04 or MCVA12693-04 11		MC454-120 5 7 or MC600-72 8	MC454-120 3
PA-22-135	22-3219 thru 22-3386	MC12693-04 or MCVA12693-04 11		MC454-120 5 7 or MC600-72 8	MC454-120 3
PA-22S-135	22-534 thru 22-2377			MC454-120 5 7 or MC600-72 8	MC454-120 2
PA-22S-135	22-2379 thru 22-2424			MC454-120 5 7 or MC600-72 8	MC454-120 2
PA-22S-135	22-2378, 22-2425 thru 22-3217	MC12693-04 or MCVA12693-04 11		MC454-120 5 7 or MC600-72 8	MC454-120 3
PA-22S-135	22-3219 thru 22-3386	MC12693-04 or MCVA12693-04 11		MC454-120 5 7 or MC600-72 8	MC454-120 3
PA-22-150, PA-22S-150	22-2378, 22-2425 thru 22-7642	MC12693-04 or MCVA12693-04 11		MC454-120 5 7 or MC600-72 8	MC454-120 3
PA-22-160, PA-22S-160	22-5139, 22-5603 thru 22-7642	MC12693-04 or MCVA12693-04 11		MC454-120 5 7 or MC600-72 8	MC454-120 3
PA-24	24-1 thru 24-2969			MC454-120 1 7 or MC600-72 8	
PA-24-250	24-1 thru 24-104			MC454-120 1 7	
PA-24-250	24-105 thru 24-2174 24-2176 thru 24-2298		MC455-184	MC454-120 1 7 or MC600-72 8	
PA-24-250	24-2175, 24-2299 thru 24-2969		MC455-252	Carb. Engine Only	
PA-24-250	24-2970 thru 24-3687		MC455-252	MC454-120 1 7 or MC600-72 8	
PA-24-260	24-3642, 24-4000 thru 24-4803		MC455-252	Carb. Engine Only	
PA-24-260	24-4804 thru 24-5034			MC600-72 Carb. Engine Only	
PA-24-400	26-2 thru 26-148			MC600-72 Carb. Engine Only	
PA-28-140	28-20002 thru 28-21095	MC12693-04 or MCVA12693-04 11		MC22633-04	
PA-28-140	28-21096 thru 28-24999	MC12693-04 or MCVA12693-04 11		MC600-72	MC63902-003 4
PA-28-140	28-25000 thru 28-25821	MC455-353		MC600-72	MC63902-016 6
PA-28-140	28-25822 thru 28-7425418	MC455-353		MC455-352	MC554-167
PA-28-140	28-7425419 thru 28-7725290	MC455-353		MC455-352	MC554-093 1
PA-28-150	28-1 thru 28-2627	MC12693-04 or MCVA12693-04 11		MC600-72	MC554-094 1
PA-28-150	28-2628 thru 28-4377	MC12693-04 or MCVA12693-04 11		MC600-72	MC63902-003 4
PA-28-151	All	MC455-350		MC600-72	MC63902-016 6
PA-28-160	28-1 thru 28-2627	MC12693-04 or MCVA12693-04 11		MC455-352	MC554-093 1
PA-28-160	28-2628 thru 28-4377	MC12693-04 or MCVA12693-04 11		MC600-72	MC63902-003 4
PA-28S-160	28-1 thru 28-1760			MC600-72	MC63902-016 6

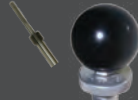

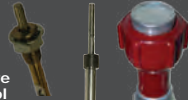

Eligibility continued on the next page. See notes regarding the Throttle, Mixture, Carburetor Heat and Alternate Air controls on the next page.

Push-Pull Controls and Accessories

Engine Controls - Piper



Push-Pull Controls and Accessories

Continued from previous page FAA-PMA Approved!					
Model	Serial Number	Throttle Control	Propeller Control	Mixture Control	Carb Heat or Alt Air Control
PA-28-161	2816001 thru 2816110 (Less 2816066)	MC455-350		MC455-352	MC554-093 1
PA-28-161	2816111 thru 2816119				MC554-093 1
PA-28-161	2841001 thru 2842999	MC455-350		MC455-352	MC554-093 1
PA-28-161	28-7716002 thru 28-8616057	MC455-350		MC455-352	MC554-093 1
PA-28-180	28-671 thru 28-1760	MC12693-04 or MCVA12693-04 11		MC600-72	MC63902-003 4
PA-28-180	28-1761 thru 28-2627	MC12693-04 or MCVA12693-04 11		MC600-72	MC63902-003 4
PA-28-180	28-2628 thru 28-4377	MC12693-04 or MCVA12693-04 11		MC600-72	MC63902-016 6
PA-28-180	28-4378 thru 28-5152	MC455-333		MC455-332	MC66856-007
PA-28-180	28-5153 thru 28-5398	MC455-350		MC455-352	MC66856-007
PA-28-180	28-5399 and On	MC455-350		MC455-352	MC554-095 1
PA-28R-180	28R-30005 thru 28R-30481	MC455-322	MC455-322	MC455-322	
PA-28R-180	28R-30483 thru 28R-31092	MC455-322	MC455-322	MC455-322	
PA-28R-180	28R-31093 thru 28R-31279	MC455-322	MC455-322	MC455-322	MC554-092 1
PA-28R-180	28R-7130001 thru 28R-7130013	MC455-322	MC455-322	MC455-322	MC554-130 11
PA-28R-180	28R-7130014 thru 28R-7130019	MC455-322	MC455-322	MC455-322	
PA-28S-180	28-671 thru 28-2627			MC600-72	MC63902-003 4
PA-28S-180	28-2628 thru 28-4377			MC600-72	MC63902-016 6
PA-28S-180	28-4378 thru 28-5398				MC66856-007
PA-28S-180	28-5399 thru 28-28-7205234				MC554-095 1
PA-28-181	2843001 thru 2843999			MC455-352	MC554-094 1
PA-28-181	2890001 thru 2890205			MC455-352	MC554-095 1
PA-28-181	2890206 thru 2890231			MC455-352	MC554-094 1
PA-28-181	28-7690001 thru 28-8290174	MC455-350		MC455-352	MC554-095 1
PA-28-181	28-8390001 and On	MC455-350		MC455-352	MC554-095 1
PA-28-201T	28-7921001 thru 28-7921095	MC455-322	MC455-322	MC455-361	MC554-387 1
PA-28R-200	28R-30482, 28R-35001 thru 28R-35225	MC455-322	MC455-322	MC455-322	
PA-28R-200	28R-35226 thru 28R-35830	MC455-322	MC455-322	MC455-322	MC554-092 1
PA-28R-200	28R-7135001 thru 28R-7635545	MC455-322	MC455-322	MC455-322	MC554-130 1
PA-28R-201	2837001 thru 2837061	MC455-322	MC455-322	MC455-322	MC554-130 1
PA-28R-201	2844001 thru 2844999				MC554-130 1
PA-28R-201	28R-7737002 thru 28R-7837317	MC455-322	MC455-322	MC455-322	MC554-130 1
PA-28R-201T	28R-7703002 thru 28R-7803372	MC455-322	MC455-322	MC455-361	MC554-387 1
PA-28R-201T	2803001 thru 2803015	MC455-322	MC455-322	MC455-361	MC554-387 1
PA-28RT-201	28R-7918001 thru 28R-8018116	MC455-322	MC455-322	MC455-322	MC554-130 1
PA-28RT-201	28R-8018117 thru 28R-8118000				MC554-130 1
PA-28RT-201	28R-8118001 and On	MC455-322	MC455-322	MC455-322	MC554-130 1
PA-28RT-201T	2831001 thru 2831038				MC554-387 1
PA-28RT-201T	28R-7931001 thru 28R-8031188	MC455-322	MC455-322	MC455-361	MC554-387 1
PA-28RT-201T	28R-8031189 thru 28R-8131000				MC554-387 1
PA-28RT-201T	28R-8131001 and On	MC455-322	MC455-322	MC455-361	MC554-387 1
PA-28-235	28-10003 thru 28-11038	MC12693-04 or MCVA12693-04 11		MC600-72	
PA-28-235	28-11039	MC12693-04 or MCVA12693-04 11			
PA-28-235	28-11040 thru 28-11252	MC455-333		MC455-332	MC66856-007
PA-28-235	28-11253 thru 28-11393	MC455-333		MC455-332	MC554-094 1
PA-28-235	28-7110001 thru 28-7210033	MC455-333		MC455-332	MC554-094 1
PA-28-235	28-7310001 thru 28-7710089	MC455-333	MC455-344	MC455-332	MC554-094 1
PA-28-236	28-11001 thru 2811050				MC554-094 1
PA-28-236	28-7911001 thru 28-8211060	MC455-333	MC455-344	MC455-332	MC554-094 1
PA-28-236	28-8311001 and On	MC455-333	MC455-344	MC455-332	MC554-094 1
PA-32-260	32-451 thru 32-1110				MC63902-021 6
PA-32-260	32-1111 thru 32-1320	MC455-360		MC455-361	MC554-053
PA-32-260	32-7100001 thru 32-7800008	MC455-360		MC455-361	MC554-053
PA-32-300	32-40000 thru 32-40565	MC69530-02 or MC69530-02 11	MC65451-04		
PA-32-300	32-40566 thru 32-41018	MC455-358			MC554-051
PA-32-300	32-41019 thru 32-7140000				MC554-051
PA-32-300	32-7140001 thru 32-7940282	MC455-358			MC554-051
PA-32-300	32-7940283 and On				MC554-051
PA-32R-300	All				MC554-051
PA-32RT-300	All				MC554-051
PA-32S-300	32S40566 thru 32S-7240137				MC554-051
PA-32-301	32-8006001 thru 32-8406020	MC455-358			MC554-051
PA-32-301	32-8406021 thru 32-8506000	MC455-358			MC554-051
PA-32-301	32-8506001 and On	MC455-358			MC554-051
PA-32-301FT	All				MC554-051
PA-32-301T	32-8024001 thru 32-8424002	MC455-344		MC455-344	MC553-874
PA-32-301T	32-8524001 and On	MC455-344		MC455-344	
PA-32R-301	3213001 thru 3213103				MC554-051
PA-32R-301	3246001 thru 3246999				MC653-658
PA-32R-301	32R-8013001 thru 32R-8613006				MC554-051
PA-32R-301T	3229001 thru 3229003				MC553-885
PA-32R-301T	3257001 thru 3257999				MC653-658
PA-32R-301T	32R-8029001 thru 32R-8229078	MC455-360		MC455-360	MC553-885
PA-32R-301T	32R-8229079 thru 32R-8329000				MC553-885
PA-32R-301T	32R-8329001 and On	MC455-360		MC455-360	MC553-885
PA-32RT-300T	32R-7787001 thru 32R-7887000				MC554-466
PA-32RT-300T	32R-7887001 thru 32R-7987126	MC455-360		MC455-360	MC554-466
PA-38-112	All				MC554-511 11

1 Knob not included.
 2 Knob not included. Order P/N MC471-052
 3 Knob not included. Order P/N MC471-060
 4 Knob P/N MC471-084 included with control.
 5 Knob not included. Order P/N MC471-053
 6 Knob P/N MC571-131 included with control.
 7 P/N MC454-120 duplicates original control.
 8 P/N MC600-72 is a vernier control. Installation is approved as a minor alteration (No STC or Form 337) and may require enlarging the instrument panel mounting hole to 3/4" diameter.
 9 W/Electrical Equipment
 10 W/O Electrical Equipment
 11 To order Vernier-Assist™ throttle controls change "MC" prefix to "MCVA" prefix.
 Additional knob eligibility is on shown on the following pages.
Rod end part numbers and eligibility can be found on the following pages.

*See page 38 for
Piper rod ends!*

Cabin Environment Controls for Piper Aircraft

Longer life and save up to \$200.00

- Special, heavier wire for more fatigue strength and reliability
- Improved friction mechanism
- Reduced vibration wear
- Anti-rotate feature to reduce stress on the inner wire
- High temperature Teflon lined conduit
- Realistic price

Additional knob eligibility is shown on the following page.



P/N MC454-120 without knob



P/N MC454-120 with
P/N MC471-052 Knob



P/N MC454-120 with
P/N MC471-060 Knob

Aircraft	Serial Number	Cabin Heat Control	Cabin Heat Rear Control	Cold Air Inlet Control	Defrost Control	Parking Brake Control
PA-18, PA-18A, PA-18S	All	MC454-120 2				
PA-18 "105" (Special), PA-18S "105" (Special)	All	MC454-120 2				
PA-18 "125" (Army L-21A), PA-18AS "125", PA-18S "125"	All	MC454-120 2				
PA-18 "135" (Army L-21B), PA-18A "135", PA-18S "135"	18-1 thru 18-2167	MC454-120 2				
PA-18 "135" (Army L-21B), PA-18A "135", PA-18S "135"	18-2168 and On	MC454-120 2		MC454-120 2		
PA-18AS "135",	All	MC454-120 1				
PA-18 "150"	All	MC454-120 2				
PA-18A "150", PA-18AS "150"	All	MC454-120 2		MC454-120 2		
PA-18S "150"	1809001 thru 1809113	MC454-120 3		MC454-120 1		
PA-18S "150"	18-3771 thru 18-8309025	MC454-120 2		MC454-120 2 3		
PA-20, PA-20S	20-1 thru 20-553	MC454-120 2				
PA-20, PA-20S	20-554 thru 20-811	MC454-120 2		MC454-120 2		
PA-20, PA-20S	20-812 and On	MC454-120 2	MC454-120 2	MC454-120 2		
PA-20 "115", PA-20S "115"	All	MC454-120 2				
PA-20 "135", PA-20S "135"	20-877, 20-881, 20-885, 20-888	MC454-120 2		MC454-120 2		
PA-20 "135", PA-20S "135"	20-878 thru 20-880	MC454-120 2	MC454-120 2	MC454-120 2		
PA-20 "135", PA-20S "135"	20-882 thru 20-884	MC454-120 2	MC454-120 2	MC454-120 2		
PA-20 "135", PA-20S "135"	20-886 thru 20-887	MC454-120 2	MC454-120 2	MC454-120 2		
PA-20 "135", PA-20S "135"	20-889 and On	MC454-120 2	MC454-120 2	MC454-120 2		
PA-22	All	MC454-120 2	MC454-120 2	MC454-120 2		MC454-120 2
PA-22-108	All	MC454-120 2	MC454-120 2	MC454-120 2		MC454-120 1
PA-22-135	22-534 thru 22-539, 22-543	MC454-120 2		MC454-120 2		MC454-120 2
PA-22-135	22-540 thru 22-542	MC454-120 2	MC454-120 2	MC454-120 2		MC454-120 2
PA-22-135	22-544 thru 22-2377	MC454-120 2	MC454-120 2	MC454-120 2		MC454-120 2
PA-22-135	2378	MC454-120 2	MC454-120 2	MC454-120 2		MC454-120 1
PA-22-135	22-2379 thru 22-2424	MC454-120 2	MC454-120 2	MC454-120 2		MC454-120 2
PA-22-135	22-2425 and On	MC454-120 2	MC454-120 2	MC454-120 2		MC454-120 1
PA-22S-135	22-534 thru 22-2377 and 22-2379 thru 22-2424	MC454-120 2 4	MC454-120 1	MC454-120 2		
PA-22S-135	22-2378, 22-2424 and On	MC454-120 2 4	MC454-120 2	MC454-120 2		
PA-22-150, PA-22S-150, PA-22-160, PA-22S-160	22-2378, 22-2425 thru 22-5138	MC454-120 2	MC454-120 2	MC454-120 2		MC454-120 2
PA-22-150, PA-22S-150, PA-22-160, PA-22S-160	22-2379 thru 22-2424	MC454-120 2	MC454-120 1	MC454-120 2		MC454-120 2
PA-22-150, PA-22S-150, PA-22-160, PA-22S-160	22-5139, 22-5603 and On	MC454-120 2	MC454-120 2	MC454-120 2		MC454-120 1
PA-22-150, PA-22S-150, PA-22-160, PA-22S-160	22-5140 thru 22-5602	MC454-120 2	MC454-120 2	MC454-120 2		MC454-120 2
PA-24, PA-24-250	24-1 thru 24-2174	MC454-120 1		MC454-120 1	MC454-120 1	MC454-120 1
PA-24, PA-24-250	24-2176 thru 24-2298			MC454-120 1		MC454-120 1

1 Knob not included.
2 Knob not included. Order P/N MC471-052
3 Knob not included. Order P/N MC471-060
4 Quantity 2 each of the Cabin Heat Control is required for this aircraft.

Control Knobs for Piper Aircraft

Give your panel an upgrade - replace old discolored knobs!

- "Original" look
- Superior quality
- 10-32 thread



Part Number	Knob Type
MC571-131	Alternate Air (Chrome)
MC471-060	Cabin Heat (Chrome)
MC471-052	Cabin Heat (Black)
MC471-052	Cabin Heat (Ivory)
MC471-080	Cabin Heat Rear
6289	Cabin Heat Front (Ivory)
MC471-131	Decal, Carburetor Heat (Ivory)
MC471-060	Carb. Carburetor Heat (Black)
MC471-052	Carb. Carburetor Heat (Chrome)
MC571-131	Carburetor Heat (Black)
MC471-080	Cold Air (Black)
MC571-052	Cold Air Inlet (Ivory)
MC471-131	Cold Air Inlet (Chrome)
MC471-060	Defrost Inlet (Black)
MC471-052	Mixture Control (Chrome)
	Parking Brake (Red)
	Parking Brake (Black)
	Parking Brake (Ivory)

Aircraft	Serial Number	MC571-131	MC471-060	MC471-052	MC471-052	MC471-080	6289	MC471-131	MC471-060	MC471-052	MC571-131	MC471-080	MC571-052	MC471-131	MC471-060	MC471-052
PA-18, PA-18A, PA-18S	All															
PA-18 "105" (Special), PA-18S "105"	All															
PA-18 "125" (Army L-21A), PA-18AS "125", PA18S "125"	All															
PA-18 "135" (Army L-21B), PA-18A "135", PA-18S "135"	18-1 thru 18-2167															
PA-18AS "135"	18-1 thru 18-2167															
PA-18 "135" (Army L-21B), PA-18A "135", PA-18S "135"	18-2168 thru 18-7632															
PA-18AS "135"	18-2168 thru 18-7632															
PA-18A "150", PA-18AS "150"	All															
PA-18S "150"	1809001 thru 1809113															
PA-18S "150"	18-3771 thru 18-8309025															
PA-20, PA-20S	20-1 thru 20-553															
PA-20, PA-20S	20-554 thru 20-811															
PA-20, PA-20S	20-812 and On															
PA-20 "115", PA-20S "115"	All															
PA-20 "135", PA-20S "135"	All															
PA-22	All															
PA-22-108	All															
PA-22-135	22-534 thru 22-539															
PA-22-135	22-540 thru 22-542															
PA-22-135	22-543															
PA-22-135	22-544 thru 22-2377															
PA-22-135	22-2378															
PA-22-135	22-2379 thru 22-2424															
PA-22-135	22-2425 and On															
PA-22S-135	22-534 thru 22-2377 and 22-2379 thru 22-2424															
PA-22S-135	22-2378, 22-2425 and On															
PA-22-150, PA-22S-150, PA-22-160, PA-22S-160	22-2378															
PA-22-150, PA-22S-150, PA-22-160, PA-22S-160	22-2379 thru 22-2424															
PA-22-150, PA-22S-150, PA-22-160, PA-22S-160	22-2425 thru 22-5138															
PA-22-150, PA-22S-150, PA-22-160, PA-22S-160	22-5139															
PA-22-150, PA-22S-150, PA-22-160, PA-22S-160	22-5140 thru 22-5602															
PA-22-150, PA-22S-150, PA-22-160, PA-22S-160	22-5603 and On															
PA-25-235	All															
PA-25-260	All															
PA-28-140	28-20002 thru 28-21095															
PA-28-140	28-21096 thru 28-24999															
PA-28-150, PA-28-160	28-0001 thru 28-2627															
PA-28-150, PA-28-160	28-2628 thru 28-4377															
PA-28S-160	28-1 thru 28-1760															
PA-28-180, PA-28S-180	28-671 thru 28-2627															
PA-28-180	28-2628 thru 28-4277															
PA-28-180	28-4278 thru 28-4377															
PA-28S-180	28-671 thru 28-2627															
PA-28S-180	28-2628 thru 28-4377															
PA-28-235	28-10003 thru 28-10675															
PA-28-235	28-10676 thru 28-11039															
PA-32-260	32-1 thru 32-1110															
PA-32-300	32-40000 thru 32-40565															
PA-32-300S	32S-15 thru 32S-40565															

Quantity 2 each of knob Cabin Heat (Ivory) is required for these aircraft.



P/N MC471-084
With P/N 6289 Carb Heat Decal (Decal sold separately)



P/N MC471-052



P/N MC471-053



P/N MC471-060



P/N MC571-131

Push-Pull Controls and Accessories

New! Swivel Fittings and Studs (Bug Nuts) for Piper Aircraft

Save \$\$\$ with FAA-PMA Approval!

- Vast eligibility with multiple applications
- Heat-treated stainless steel
- Improved cone for less wire distortion
- Multiple FAA-PMA replacement options: buy only the swivel fitting and stud, or get the swivel assembly!
- The MC70371-000 Swivel Assembly replaces Piper P/Ns 70371-000 or 70371-800. This full assembly includes the -002 fitting, the -003 stud as well as an AN320-3 castle shear nut, MS24665-132 cotter pin, and two special sized Piper specific washers.
- Different stud lengths and swivel fitting sizes offered - see below for model eligibility



Swivel Assembly



Swivel Fitting & Stud

Aircraft	Serial Number	Part Number	Location																	
			Aft Hydraulics	Airbox Installation	Baggage Door Assembly	Cabin Door Assembly	Cabin Heat	Cabin Pressure Control	Cabin Vent	Carb Heat and Mix Control	Cowl Flap Control	Engine Control	Fuel Control	Fuselage Press. Air Supply	Hand Brake	Heat and Defrost Hopper Installation	Turbocharger	Ventilation	Windshield Defroster	
J-3	All	MC70371-00 MC70371-002 MC70371-003										•	•							
J3 (Canadian), J3 (Converted TG-8 Glider), J3C-40, J3C-50, J3C-50S, J3C-65 (Army L-4, L-4A, B, H, J, Navy NE-1,2), J3C-65S, J3F-50, J3F-50S, J3F-60, J3F-60S, J3F-65 (Army L-4D), J3F-65S, J3L, J3L-65 (Army L04C), J3L-65S, J3L-S, J3P	All	MC70371-002 MC070371-003										•								
J5A (Army L-4F), J5A-80, J5B (Army L-4G), J5C	All	MC70371-00 MC70371-002 MC70371-003										•	•							
PA-12	All	MC70371-00 MC91193-00									•	•								
PA-12S	All	MC91193-00									•									
PA-14	All	MC70371-00					•													
		MC70371-002					•													
		MC70371-003								•										
PA-15	All	MC70371-00										•								
		MC91193-00										•								
PA-17	All	MC91193-00										•								
PA-18, PA-18 "105" (Special), PA-18 "125" (Army L-21A), PA-18 "135" (Army L-21B), PA-18 "150"	All	MC70371-002		•								•								
		MC70371-003		•								•				•				
		MC91193-00											•							
PA-18A, PA-18A "135", PA-18A "150", PA-18AS "125", PA-18AS "135", PA-18AS "150"	All	MC70371-002		•								•								
		MC70371-003		•								•				•				
		MC91193-00											•							
PA-18S, PA-18S "105" (Special), PA-18S "125", PA-18S "135", PA-18S "150"	All	MC70371-002		•								•								
		MC70371-003		•								•				•				
		MC91193-00											•							
PA-19 (Army L-18C), PA-19S	All	MC70371-002		•								•								
		MC70371-003		•								•				•				
		MC91193-00											•							
PA-20, PA-20 "115", PA-20 "135", PA-20S, PA-20S "115", PA-20S "135"	All	MC70371-00										•								
		MC91193-00										•								
PA-22, PA-22-108, PA-22-135, PA-22-150, PA-22-160, PA-22S-135, PA-22S-150, PA-22S-160	All	MC70371-00										•								
		MC70371-002										•								
		MC70371-003											•							
PA-23, PA-23-160	All	MC70371-00								•										
		MC91193-00			•	•						•						•		
PA-23-235, PA-23-250 (Navy UO-1), PA-E23-250	All 27-0001 thru 27-2222 27-2223 thru 27-7954089	MC70371-00																		
		MC91193-00											•							
PA-24, PA-24-250, PA-24-260, PA-24-400	All	MC70371-00																		
		MC70371-002										•								
		MC70371-003										•								
		MC91193-00											•							
PA-28-140, PA-28-150, PA-28-160, PA-28-180	All	MC70371-00																		
		MC70371-002										•								
		MC70371-003										•								
		MC91193-00											•							
PA-28-151	All	MC70371-002																		
		MC70371-003																		
		MC70371-005											•							
		MC70371-006											•							
PA-28-161	All 2816001 thru 2816119 2841001 thru 2842999 28-7716001 thru 28-8616057	MC70371-002																		
		MC70371-003																		
		MC70371-005											•							
		MC70371-006											•							
		MC70371-003																		
		MC70371-005											•							
PA-28-181	All 2843001 thru 2843999	MC70371-002																		
		MC70371-003																		

Eligibility continues on next page

Push-Pull Controls and Accessories



Wire Clamps, Swivel Fittings and Studs (Bug Nuts) for Piper Aircraft continued

Continued from previous page

Aircraft	Serial Number	Part Number	Location																	
			Aft Hydraulics	Airbox Installation	Baggage Door Assembly	Cabin Door Assembly	Cabin Heat	Cabin Pressure Control	Cabin Vent	Carb Heat and Mixture Control	Cowl Flap Control	Engine Control	Fuel Control	Fuselage Press. Air Supply Inst.	Hand Brake	Heat and Defrost	Hopper Installation	Turbocharger	Ventilation	Windshield Defroster
PA-28-181	2890001 thru 2890231 28-7690001 thru 28-8690062	MC70371-002 MC70371-003					•					•							•	
PA-28R-180, PA-28R-200, PA-28S-160, PA-28S-180	All	MC70371-00					•													
		MC70371-002					•		•			•								
		MC70371-003					•		•			•								
PA-28-201T	All	MC91193-00					•													
		MC70371-002					•					•								•
		MC70371-003					•					•								•
PA-28R-201, PA28R-201T, PA-28RT-201, PA-28RT-201T	All	MC70371-002					•													•
		MC70371-003					•													•
		MC91193-00					•													•
PA-28-235	All	MC70371-00					•													
		MC70371-002					•		•			•								
		MC70371-003					•		•			•								
		MC91193-00					•					•								
PA-28-236	All	MC70371-002					•													•
		MC70371-003					•													•
PA-30	All	MC70371-002					•													•
		MC70371-003					•													•
PA-31, PA-31-300, PA-31-325	All	MC70371-00					•						•							
		MC70371-002					•					•								•
		MC70371-003					•					•								•
		MC91193-00					•						•							•
PA-31-350	All	MC70371-002					•													•
		MC70371-003					•													•
		MC91193-00					•													•
		MC70371-00					•													•
PA-31P	All	MC70371-002					•						•							•
		MC70371-003					•						•							•
		MC70371-005					•						•							•
		MC91193-00					•							•						•
PA-31P-350	All	MC70371-00					•													•
		MC91193-00					•													•
		MC70371-00					•													•
PA-31T	All	MC70371-002					•													•
		MC70371-003					•													•
		MC91193-00					•													•
		MC70371-00					•													•
PA-31T1, PA-31T2	All	MC70371-002					•													•
		MC70371-003					•													•
		MC91193-00					•													•
PA-32-260	All	MC70371-002					•													•
		MC70371-003					•													•
		MC91193-00					•													•
PA-32-300	All	MC70371-002					•													•
		MC70371-003					•													•
PA-32-301, PA-32-301T	All	MC70371-002					•													•
		MC70371-003					•													•
PA-32-301FT, PA-32-301XTC	All	MC70371-002					•													•
		MC70371-003					•													•
PA-32R-300	All	MC70371-002					•													•
		MC70371-003					•													•
PA-32R-301, PA-32R-301T	All	MC70371-002					•													•
		MC70371-003					•													•
PA-32RT-300, PA-32RT-300T	All	MC70371-002					•													•
		MC70371-003					•													•
PA-32S-300	All	MC70371-002					•													•
		MC70371-003					•													•
PA-34-200	All	MC70371-002					•													•
		MC70371-003					•													•
PA-34-200T	All	MC70371-002					•													•
		MC70371-003					•													•
PA-34-220T	All	MC70371-002					•													•
		MC70371-003					•													•
PA-36-285, PA-36-300, PA-36-375	All	MC70371-002					•													•
		MC70371-003					•													•
PA-38-112	All	MC70371-002					•													•
		MC70371-003					•													•
PA-39	All	MC70371-002					•													•
		MC70371-003					•													•
PA-42, PA-42-1000	All	MC70371-002					•													•
		MC70371-003					•													•
PA-42-720, PA-42-720R	All	MC70371-002					•													•
		MC70371-003					•													•
PA-44-180	All	MC70371-002					•													•
		MC70371-003					•													•

Eligibility continues on next page

Wire Clamps, Swivel Fittings and Studs (Bug Nuts) for Piper Aircraft continued

Continued from previous page

Push-Pull Controls and Accessories

Aircraft	Serial Number	Part Number	Location																	
			Aft Hydraulics	Airbox Installation	Baggage Door Assembly	Cabin Door Assembly	Cabin Heat	Cabin Pressure Control	Cabin Vent	Carb Heat and Mixture Control	Cowl Flap Control	Engine Control	Fuel Control	Fuselage Press. Air Supply Inst.	Hand Brake	Heat and Defrost	Hopper Installation	Turbocharger	Ventilation	Windshield Defroster
PA-46-310P	All	MC70371-002	•																	
		MC70371-003	•																	
		MC70371-005					•													
		MC70371-006																		
PA-46-350P (w/G1000)	All	MC70371-002																		
		MC70371-003																		
		MC70371-005																		
		MC70371-006																		
PA-46-350P (w/o G1000)	4622001 thru 4622200	MC70371-002	•																	
		MC70371-003	•																	
		MC70371-005																		
		MC70371-006																		
	4636001 thru 4636999	MC70371-002																		
		MC70371-003																		
		MC70371-005																		
		MC70371-006																		
PA-46-500TP (w/G1000)	All	MC70371-002																		
PA-46-500TP (w/o G1000)	All	MC70371-002																		
PA-46R-350T (w/G1000)	All	MC70371-002																		
		MC70371-003																		
		MC70371-005																		
		MC70371-006																		
PA-46R-350T (w/o G1000)	All	MC70371-002																		
		MC70371-003																		
		MC70371-005																		
		MC70371-006																		

New! FAA-PMA approved Beechcraft Baron Push-Pull Controls

Now offering approved controls for your Beechcraft Baron aircraft.

All of our Baron engine controls feature McFarlane's time proven control design, which is preferred by pilots around the world.

- Low-friction Teflon™ lined conduit
- Vibration dampened
- Built to outlast original controls
- Tested to -50° F
- Save \$\$\$ without compromising quality or safety
- All controls include mounting clamps and ICA documents for a seamless installation

Most dependable and durable in the industry!



Aircraft	S/N	Throttle		Propeller		Mixture	
		LH	RH	LH	RH	LH	RH
58 1 58A 2	TH-1388 1 2	MC50-389012-23	MC50-389012-29	MC50-389010-33 MC50-389012-23	MC50-389010-23	MC50-389012-29	MC50-389012-23
	TH-1389	MC102-389010-47	MC102-389010-47	MC102-389010-47	MC102-389010-49	MC102-389010-47	MC102-389010-47
	TH-1390 thru TH-1395 1 2	MC50-389012-23	MC50-389012-29	MC50-389010-33 MC50-389012-23	MC50-389010-23	MC50-389012-29	MC50-389012-23
	TH-1396	MC102-389010-47	MC102-389010-47	MC102-389010-47	MC102-389010-49	MC102-389010-47	MC102-389010-47
95-B55, 95-B55A	TC-1608 thru TC-2456	MC50-389012-15	MC50-389012-15	MC50-389010-29	MC50-389010-27	MC50-389010-19	MC50-389010-21
	E55, E55A	All	N/A	MC50-389012-19	MC50-389010-23	N/A	MC50-389012-19
56TC	TG-2 thru TG-83	N/A	N/A	MC50-389010-25	N/A	MC50-389012-21	MC50-389012-21
A56TC	TG-84 thru TG-94	N/A	N/A	MC50-389010-25	N/A	MC50-389012-25	MC50-389012-25
95-C55, 95-A55	TC-350, TC-380 thru TC-501	MC50-389012-15	MC50-389012-15	MC50-389010-29	MC50-389010-27	MC50-389010-19	MC50-389010-21
D55, E55	TE-452 thru TE-627 TE-638 thru TE-937 TE-939 thru TE-942	MC50-389012-19	MC50-389012-19	MC50-389010-23	MC50-389010-25	MC50-389012-19	MC50-389012-25
95-55, 95-B55, 95-B55A	All	MC50-389012-15	MC50-389012-15	MC50-389010-29	MC50-389010-27	MC50-389010-19	MC50-389010-21
95-C55, 95-C55A	TE-1 thru TE-451 except TE-50	MC50-389012-19	MC50-389012-19	MC50-389010-23	MC50-389010-25	MC50-389012-19	MC50-389012-25
	TC-350	MC50-389012-15	MC50-389012-15	MC50-389010-29	MC50-389010-27	MC50-389010-19	MC50-389010-21
D55A	TE-452 thru TE-627 TE-638 thru TE-767	MC50-389012-19	MC50-389012-19	MC50-389010-23	MC50-389010-25	MC50-389012-19	MC50-389012-25
E55A	TE-768 thru TE-942 except TE-938	MC50-389012-19	MC50-389012-19	MC50-389010-23	MC50-389010-25	MC50-389012-19	MC50-389012-25
58P	TJ-136 thru TJ-443 except TJ-436	N/A	N/A	N/A	MC102-389010-47	MC102-389010-13	MC102-389010-13
	TJ-3 thru TJ-135				MC102-389010-47	MC50-389012-19	MC50-389012-19
58TC	TK-90	N/A	N/A	N/A	MC102-389010-47	MC102-389010-13	MC102-389010-13
	TK-91 thru TK-146				MC102-389010-13	MC102-389010-13	
	TK-148 thru TK-150				MC102-389010-13	MC102-389010-13	
G58	All	MC102-389010-47	MC102-389010-47	MC102-389010-47	MC102-389010-49	MC102-389010-47	MC102-389010-47

Notes:
 1 Model 58 S/N 1388, 1390-1395, Prop LH is P/N MC50-389010-33,
 2 Model 58A S/N 1388, 1390-1395, Prop LH is P/N MC50-389012-23

Vernier-Assist™ Throttle Controls for Mooney Aircraft

Precision control with our roller action vernier provides smooth jam-proof coarse and fine adjustment!

- Jam-proof safety
- Precision power adjustments
- Smooth friction control
- Light and compact
- Standard vernier action, without the button!
- Microswitch Dust Boot and ICA included with microswitch cutout controls

Throttle, Mixture and Propeller Controls for Mooney

- Solid Metal construction
- Pilot friendly knobs
- Lifetime lubrication
- Superior low friction conduit
- Controls featuring cutout for Microswitch comes with McFarlane FAA approved Dust Boot and ICA for control debris protection

Ram-Air Controls

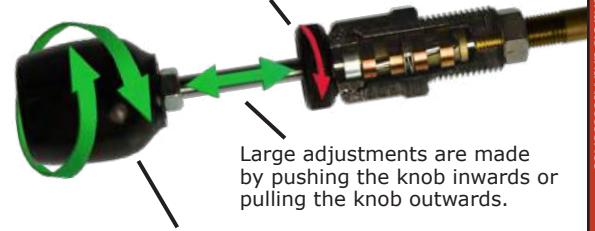
FAA-PMA Approved Controls!

- High temperature Teflon lined conduit
- Push-pull design
- Direct cable connection between control knob and ram air flaps
- Comes with McFarlane FAA approved Microswitch Dust Boot and ICA for control debris protection

New MCVA Throttle Series

Vernier and friction lock - The best of both!

Tension and vernier action is increased by tightening the tension nut.



Large adjustments are made by pushing the knob inwards or pulling the knob outwards.

Fine adjustments are made by rotating the knob clockwise or counterclockwise. The McFarlane Vernier-Assist™ throttle control uses a patented roller action and does not use a positive lock thread engagement. For extreme conduit routing or heavy carburetor load installations, slight inward or outward assist pressure could be required during rotation.

Patent No. 8,485,057 B1



Push-Pull Controls and Accessories

Model	Serial Number	Throttle Control	Propeller Control	Mixture Control	Ram Air
M20C	20-0001 thru 20-0009	MC660166-009 1	MC660166-003 1	N/A	N/A
	20-0011 thru 20-0046		N/A		
	20-0047 thru 20-1258		N/A		
	2807 thru 670149	MC660190-003 2 6	N/A		
	680001 thru 680198	N/A	MC660166-003 1		
			MC660189-005 3		
690001 thru 690098	MC660166-009	N/A			
700001 thru 700091		MC660166-003 1			
M20D	252 thru 260	MC660190-003 2 6	N/A	N/A	N/A
M20E	21-0001 thru 21-0037	MC660166-007 1	MC660166-003 1	MC660166-005 1	MC640257-017 5 6
	21-0039 thru 21-0060		N/A	N/A	N/A
	21-0061 thru 21-1180	MC660190-005 2 6	MC660189-005 3	MC660189-003 3	N/A
	470 thru 1308		MC660166-003 1	MC660166-005 1	MC640257-017 5 6
690001 thru 700061	MC660166-007 1	MC660166-003 1	MC660166-005 1	N/A	
M20F	22-0001 thru 22-0078	N/A	MC660166-003 1	MC660166-005 1	N/A
	22-0079 thru 22-1178	MC660166-007 1	N/A		MC640257-017 5 6
	22-1179 thru 22-1439		MC660190-005 2 6	MC660189-005 3	MC660189-003 3
	660002 thru 680206	MC660166-007 1	MC660166-003 1	MC660166-005 1	MC640257-017 5 6
680001 thru 700072	MC660190-003 2 6	MC660189-005 3	N/A	N/A	
680001 thru 680164	MC660190-003 2 6	MC660189-005 3	N/A	N/A	
M20G	690001 thru 700006	MC660166-009 1	MC660189-005 3	N/A	N/A
	24-0002 thru 24-0037	MC660166-007 1	MC660166-003 1	MC660166-005 1	MC640257-017 5 6
M20J	24-0378 thru 24-3431	MC660226-001 2 6	MC660226-003 3	MC660226-005 3	N/A
	M20K	25-0001 thru 25-0841	MC660226-007 2 6	MC660226-009 3	MC660226-011 3
MCVA660226-007 4 6					
MC660226-013 2 6					
25-0842 thru 25-0999		MCVA660226-013 4 6			
25-1000 thru 25-1066		MC660226-015 2 6			
		MCVA660226-015 4 6			
25-1067 thru 25-2032	MC660226-017 2				
M20M	27-0001 thru 27-0355	MC660226-019 2 6	MC660226-023 3	MC660226-025 3	N/A
		MCVA660226-019 4 6			
M20R	29-0001 thru 29-0525	MC660226-027 2 6	MC660226-023 3	MC660226-005 3	N/A
M20S	30-0001 thru 30-0065	MCVA660226-027 4 6			
M20TN	31-0001 thru 31-143				
M20U	32-0001 and On	MC660226-027 2 6	MC660226-029 3	MC660226-005 3	N/A
M20V	33-0001 and On	MCVA660226-027 4 6			

Notes:
 Control Style
1 Quadrant
2 Friction Lock
3 Vernier
4 Vernier-Assist
5 Push-Pull
6 Contains Microswitch cut out, comes with Microswitch Dust Boot and ICA



Vernier-Assist™ Throttle Controls

Precision Control

New roller action vernier provides smooth jam-proof coarse and fine adjustment.

- Jam-proof safety
- Precision power adjustments
- Smooth friction control
- Light and compact
- Standard vernier action, without the button!

Fine adjustments are made by rotating the knob clockwise or counterclockwise. The McFarlane **Vernier-Assist™** throttle control uses a patented roller action and does not use a positive lock thread engagement. For extreme conduit routing or heavy carburetor load installations, slight inward or outward assist pressure could be required during rotation.

Throttle, Propeller and Mixture Controls for Beechcraft Aircraft

- All metal construction
- Pilot friendly knobs
- Lifetime lubrication
- Superior low friction conduit
- Includes ICA with improved inspection procedures



New MCVA Throttle Series
Vernier and friction lock - The best of both!
Tension and vernier action is increased by tightening the tension nut.



Large adjustments are made by pushing the knob inwards or pulling the knob outwards.

Patent No. 8,485,057 B1

Copy of ICA, clamps, and seals provided with each control!

Model	Serial Number	Throttle	Propeller	Mixture
19A, M19A, B19,23, A23-19, B23	All	N/A	N/A	MC600-120
35-C33	CD-964 thru CD-1118	MC35-944046-7	MC35-944048-7	N/A
35-C33A	All	MC35-944046-7	MC35-944048-7	MC35-944054-7
E33	All	MC35-944046-7	MC35-944048-7	N/A
E33A, E33C, F33, F33A, F33C, G33	All	MC35-944046-7	MC35-944048-7	MC35-944054-7
35, A35, B35, C35, D35, E35, F35, G35	All	N/A	N/A	MC600-72
H35	All	N/A	N/A	MC35-944054-9
J35, K35, M35	All	N/A	MC35-944048-1	MC35-944054-9
N35	All	N/A	MC35-944048-1	
P35, S35, V35, V35A, V35A-TC	All	MC35-944046-7	MC35-944048-1	MC35-944054-7
V35B, V35B-TC	All	MC35-944046-7	MC35-944048-7	MC35-944054-7
V35TC	All	MC35-944046-7	MC35-944048-1	MC35-944054-7
36, A36	E-1 thru E-1945, E-1947 thru E-2103, E-2105 thru E-2110 E-1946, E-2104, E-2111 and On	MC35-944046-7	MC35-944048-7	MC35-944054-7
A36TC, B36TC	EA-1 thru EA-319, EA-321 thru 388 EA-320, EA-389 thru EA-439	MC35-944046-7	MC35-944048-7	MC35-944054-9
G36	All	MC36-380084-3	MC36-380084-7	N/A
		MC36-380084-3	MC36-380084-7	MC36-380084-5



Notes:

To order Vernier-Assist™ throttle controls change "MC" prefix to "MCVA" prefix

Engine Controls for Van's RV Series Aircraft

- Quick delivery, No long lead times
- High quality and affordable
- Lifetime lubrication
- Non certified, designed for listed aircraft models only
- See page 230 for APS brake discs and linings



Model	Throttle	Vernier-Assist Throttle	Mixture	Prop
RV-10	MCRV10-T	MCRV10-TV	MCRV10-M	MCRV10-P
RV-12		MCRV12-TV		

Controls designed to work with Van's firewall forward kit. Call for custom installations.

Solid Wire Vernier Mixture Control for Beechcraft, Mooney, Maule, and Stinson Aircraft

- FAA-PMA approved, high quality McFarlane manufacture
- Precise mixture control for less than the original replacement part
- Extra long — trim to exact length

Make	Model	Serial Number	Part Number
Raytheon (Beech)	19A, M19A, B19,23, A23-19, B23	All	MC600-120
Raytheon (Beech)	35, A35, B35, C35, D35, E35, F35, G35, H35	All	MC600-72
Mooney	M20, M20A, M20B, M20C, M20D	All	MC600-72
Maule	Bee Dee M-4, M4, M-4C, M-4S, M-4T	All with Carbureted Engine	MC600-72
Maule	M-4-220, M-4-220-C, M-4-220S	All with Carbureted Engine	MC600-72
Maule	M-4-220T, M-4-180C, M-4-180S, M-4-180T	All with Carbureted Engine	MC600-72
Maule	M-5-180C, M-5-220T, M-5-235C	All with Carbureted Engine	MC600-72
Maule	M-5-210TC, M-6-180, M-6-235, MX-7-160	All with Carbureted Engine	MC600-72
Maule	MX-7-160, MX-7-180, MX-7-180A	All with Carbureted Engine	MC600-72
Maule	MX-7-180, MXT-7-180A, MX-7-180B	All with Carbureted Engine	MC600-72
Maule	MX-7-180C, M-7-235, MX-7-235	All with Carbureted Engine	MC600-72
Maule	MX-7-235A, MX-7-235B, MX-7-235C, M-8-235	All with Carbureted Engine	MC600-72
Univair (Stinson)	108, 108-1, 108-2, 108-3, 108-5	All	MC600-72



Throttle Controls for Grumman Aircraft



- Throttle Controls for aircraft manufactured by Grumman American, Gulfstream Aerospace Corp. or Tiger Aircraft LLC
- McFarlane has developed a longer conduit terminal that allows extra clearance between the swivel joint and the air filter box at the clamp location
- Thread length has been tailored to allow full adjustment of the Grumman swivel assembly
- Push rod length has been tailored to ensure that McFarlane throttle controls duplicate the original controls in fit and function



New! Vernier-Assist™ Throttle Controls
See page 43

FAA-PMA Approved

Model	Serial Number	Part Number
AA-1	AA1-0433 and On	MC507005-1 1
AA-1A	AA1A-0001 and On	MC507005-1 1
AA-1B	AA1B-0001 and On	MC507005-1 1
AA-1C	AA1B-0601	MC507005-1 1
AA-1C	AA1C-0001 and On	MC507005-1 1
AA-5	AA5-0001 and On	MC507005-2 1
AA-5A	AA5A-0283 and On	MC507005-2 1
AA-5B	AA5B-0001 and On	MC507005-3

1 To order Vernier-Assist™ throttle controls change "MC" prefix to "MCVA" prefix

Engine Controls for Bellanca Viking Aircraft



FAA-PMA Approved

Part Number	Model	Serial Number	Part Number	Part Number
17-30A	30263 and On, and aircraft with a S/N prefix: "75-"	MCS191783-18 1	MCS191783-1	MCS191783-16
17-31A	73-32-128 and On, and aircraft with a S/N prefix "75-"	MCS191783-18 1	MCS191783-1	MCS191783-17
17-31ATC	73-31067 and On, and aircraft with a S/N prefix "75-"	MCS191783-18 1	MCS191783-1	MCS191783-17

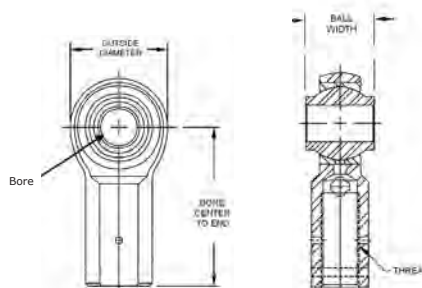
1 To order Vernier-Assist™ throttle controls change "MC" prefix to "MCVA" prefix

New! Vernier-Assist™ Throttle Controls

See page 43

Rod Ends for Experimental Aircraft

Not for use on certified aircraft. Not FAA-PMA approved.
See pages 36-38 for FAA-PMA approved rod ends.



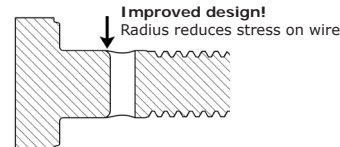
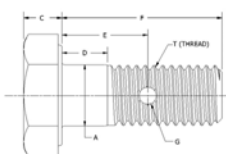
P/N	Bore	O.D.	Bore Ctr to End	Ball Width	Thread	Thread Type	Ultimate Static Load
(~)	(in)	(in)	(in)	(in)	(in)	(~)	(lbs)
MW-3M-500	0.190	0.625	1.062	0.312	10-32	Internal	1,531
GMW-3M-470	0.190	0.750	1.375	0.437	1/4-28	Internal	2,881
GMW-4M-470	0.250	0.812	1.375	0.437	1/4-28	Internal	2,950
MM-3M-500	0.190	0.625	1.250	0.312	10-32	External	1,169

Manufactured by Aurora Bearing

Bolt Style Wire Clamps for Solid Wire Controls for Cessna Aircraft

FAA-PMA Approved

- Unique design to reduce wire stress
- Heat treated stainless steel for wear and corrosion resistance
- The best for less!
- Visit our website to find the correct clamp for all other applications.



Part Number	A Bolt Dia. (in)	B Wrench Size (in)	C Thick (in)	D Grip Length (in)	E Hole Position (in)	F Shank Length (in)	G Hole Dia. (in)	T Thread (~)	Application
MCS2323-1	0.188	3/8	0.125	0.250	0.183	0.653	0.073	10-32	Carb heat, starter, mixture, cabin heat, fuel shutoff, strainer drain, defrost, shutter, wastegate, oxygen control, de-ice, heater, airbox, alternate air, flap/elevator, pressure air dump, heat exchanger
MCS2323-2	0.250	7/16	0.156	0.312	0.325	0.781	0.073	1/4 - 28	cabin heat, mixture, defrost
MCS2323-3	0.250	7/16	0.156	0.188	0.199	0.539	0.073	1/4 - 28	strainer drain, cowl flaps, carb heat, alternate air
MCS2323-4	0.250	7/16	0.156	0.313	0.312	0.781	0.073	1/4 - 28	mixture, flap indicator, flap guide, fuel shut-off
MCS2323-5	0.188	3/8	0.125	0.125	0.188	0.531	0.073	10-32	cabin air, carb heat, starter, airbox, defrost, flap, shutter, oxygen
MCS2323-6	0.250	7/16	0.156	0.188	0.355	0.656	0.073	1/4 - 28	mixture, hopper, induction
MCS2323-7	0.188	3/8	0.125	0.250	0.192	0.656	0.076	10-32	fuel shut-off, alternate air, flap elevator trim
MCS2323-8	0.188	3/8	0.125	0.250	0.202	0.656	0.096	10-32	fuel shut-off, oxygen control
MCS2323-9	0.250	7/16	0.156	0.438	0.343	0.906	0.129	1/4 - 28	flap control, flap guide
MCS2323-10	0.188	3/8	0.125	0.125	0.204	0.477	0.079	10-32	fuel shut-off, heat exchanger
MCS2323-11	0.188	3/8	0.125	0.250	0.266	0.656	0.076	10-32	mixture, bleed air, fuel selector, flap/elevator
MCS2323-12	0.250	7/16	0.156	0.188	0.357	0.656	0.073	1/4 - 28	mixture, cabin heat, pressurization
MCS2323-13	0.250	7/16	0.156	0.313	0.271	0.781	0.073	1/4 - 28	mixture, alternate air, bleed air
MCS2323-14	0.188	3/8	0.125	0.125	0.132	0.531	0.082	10-32	cabin heat, cabin air
MCS2323-19	0.188	3/8	0.125	0.125	0.200	0.531	0.094	10-32	defroster

Rod Ends for Cessna Aircraft

- Many applications!
- See pages 18-23 for Rod Ends for Cessna 120-210 engine controls



Model	Part Number	AILERON PUSH ROD	ALT AIR CONTROL	CARGO DOOR	COOLING MODULATOR	COWL FLAP	COWL FLAP CONTROL	ELEVATOR BOB WEIGHT LINKAGE	FLAP ACTR PUSH ROD	FLAP CONTROL	FLAP PUSH ROD	INERTIAL SEPARATOR ACTR PUSH ROD	INERTIAL SEPARATOR CONTROL	MAIN GEAR DOOR	MAIN GEAR DOOR ACTUATOR	MIXTURE CONTROL	MIXTURE LINKAGE	NG STEERING ROD	NOSE GEAR DOOR	NOSE GEAR DOOR ACTUATOR	OUTBOARD FLAP PUSH ROD	PROP CONTROL	PROP SYNCRO PUSH ROD	REAR PRESSURIZATION CONTROL	RUDDER BAR	RUDDER BELLCRANK PUSH ROD	SPRAY VALVE PUSH ROD	THROTTLE CONTROL	THROTTLE LINKAGE	WATER RUDDER STEERING				
		MCS1106-3	S1819-3	MCS1819-4	MCS1106-3	MCS1104-3	MCS1105-3	MCS1106-3	MCS1106-4	MCS1106-3	MCS1104-3	MCS1106-3	MCS1106-4	S1819-3	MCS1106-3	MCS1106-4	MCS1104-3	MCS1106-3	MCS1106-4	S1107-3	MCS1105-3	MCS1106-3	MCS1106-4	S1819-3	MCS1104-3	MCS1106-3	MCS1104-3	MCS1106-3	MCS1106-4	MCS1104-3	MCS1106-3	MCS1104-3	MCS1105-3	
P210N		•																																
S/N P21000198 thru P21000212		•																																
P210N		•																																
S/N P21000213 thru P21000834		•																																
P210R		•																																
T210F																																		
T210G																																		
T210H,J																																		
T210K,L,M																																		
T210N																																		
T210R																																		
310,310B		•																																
310C,D,F,G,H,I,J,J-1,K		•																																
310L,N																																		
310P,Q																																		
310R																																		
E310H,J																																		
T310P,Q																																		
T310R																																		
320,320-1,320A,B,C		•																																
320D,E,F		•																																
335		•																																
336		•																																
337																																		
337A,B																																		
337C																																		
337D																																		
337E,F																																		
337G,H																																		
F337E,F																																		
F337G,H																																		
FT337E,F																																		
FT337GP (FP337)																																		
FT337HP (FP337H)																																		
M337B																																		
P337H																																		
T337B,C,D																																		
T337E,F																																		
T337G																																		
T337H																																		
T337H-SP																																		

■ Partial model eligibility
 Note: Part numbers with "S" prefix are manufactured by Cessna Aircraft Company.

Rod End Dimensions		
Part Number	Bore/Eye	Thread
MCS1104-3	0.19	10-32 Internal
MCS1105-3	0.19	10-32 External
MCS1106-3	0.19	1/4-28 Internal
MCS1106-4	0.25	1/4-28 Internal
S1107-3	0.19	3/8-24 External
S1819-3	0.19	1/4-28 Internal
S1823-3	0.19	3/8-24 External
S2022-3	0.25	3/8-24 LH
S2022-3L	0.25	3/8-24 RH
MCS1819-4	0.25	1/4-28 Internal



MCS1104-3



MCS1105-3



MCS1106-3



MCS1106-4



S1107-3



S1819-3



S1823-3



S2022-3



S2022-3L



MCS1819-4

Rod Ends for Piper Aircraft

Model	Part Number	Description/Application	Piper Rod End Dimensions		
			Part Number	Eye	Thread
PA-18/18A, PA-18-105/125/135/150 & PA-18A-125/135/150 S/N's 18-1 thru 18-8309025 and PA18-150 S/N's 1809001 thru 1809113	CA452-335A	Wing panel assembly, uncovered			
PA-22 & PA-22-108/135/150/160	CA452-335A	Wing panel assembly, nose wheel			
PA-23-150/160 PA 23-235/PA23-250 / PA 23-250	CA452-335A	Nose gear, main gear			
PA-24-180/250/260/400	CA452-412	Landing gear retraction system, flap control mechanism, control surfaces			
	CA452-334A	Steering push rod & shimmy dampener, main gear bearing, control system			
	CA452-335A	Bungee assembly, nose wheel, landing gear door			
	CA452-336A	Flap control, nose gear assembly			
	CA452-368	Main gear			
	CA452-584	Landing gear door			
	CA452-860A	Shimmy dampener			
PA-28-140/150/160/180/235/R-180/200	CA452-334A	Nose gear			
	CA452-335A	Nose gear, control system, flap control			
	CA452-334A	Nose gear			
PA-28-151/161 S/N 715001 thru 28-7715314, 28-7716001 thru 28-8616057 & 2816001 thru 2816119	CA452-335A	Control system, flap control			
PA-28-161 S/N 2841001 thru 2841365	CA452-334A	Flap control			
PA-28-161 S/N 2842001 & up	CA452-335A	Nose gear			
	CA452-336A	Control system, flap control			
PA-28-181 S/N 28-7690001 thru 28-8690056 & 2890001 thru 2890231	CA452-334A	Flap control			
PA-28-181 S/N 2843001 & up	CA452-335A	Nose gear			
	CA452-335A	Control system			
	CA452-336A	Flap control			
PA-28R-201/201T S/N 28R-773700, 2837001 thru 2837061, 28R7703002 thru 28R-7803372 & 2803001 thru 2803015	CA452-334A	Nose landing gear, main landing gear			
	CA452-335A	Landing gear door, control system, flap control			
	CA452-336A	Flap control			
	CA452-584	Landing gear door			
	CA452-334A	Nose landing gear			
PA-28R-201 S/N 2844001 & up	CA452-335A	Landing gear door, control system, flap control			
	CA452-336A	Flap control			
	CA452-368	Main landing gear			
PA-28RT-201/201T	CA452-334A	Nose landing gear			
PA-30/39	CA452-335A	Landing gear door			
PA-31P	CA452-412	Landing gear retraction system, flap control mechanism			
PA-31P-350	CA452-335A	Cabin door step			
PA-31-300/325, PA-31-350, PA-31-350T1020	CA452-412	Cabin door latch, nose landing gear, nose gear steering, elevator trim			
PA-31T/T1/T2	CA452-335A	Cabin door step			
	CA452-412	Cabin door latch, nose landing gear, nose gear steering mechanism			
	CA452-335A	Cabin door step, engine control			
	CA452-412	Cabin door latch, nose landing gear			
	CA452-860A	Cabin door snubber			
PA-31T3	CA452-335A	Engine controls			
	CA452-412	Nose landing gear, nose gear steering			
	CA452-334A	Nose gear, main gear, control system			
PA-32-260/300/R-300	CA452-335A	Landing gear door, flap control			
	CA452-368	Main gear			
	CA452-584	Landing gear door			
	CA452-860A	Nose gear			
	CA452-334A	Nose gear			
PA-32-301/301T	CA452-335A	Aileron control, flap control			
	CA452-336A	Aileron control, flap control			
	CA452-860A	Nose gear			
PA-32-301 XTC	CA452-334A	Nose gear			
PA-32-301FT	CA452-335A	Aileron control, flap control			
	CA452-336A	Aileron control			
	CA452-860A	Nose gear			
PA-32R-301/301T S/N 32R-8013001 thru 32R-8613005, 321001 thru 3213103, 32R-8029001 thru 32R-8629006 & 3229001 thru 3229003	CA452-334A	Nose gear, main gear			
	CA452-335A	Landing gear door, aileron control, flap control			
	CA452-336A	Aileron control, flap control			
	CA452-368	Main gear			
PA-32R-301/301T S/N 3246001 & up & 3257001 & up	CA452-334A	Main gear			
	CA452-335A	Landing gear door, aileron control, flap control			
	CA452-336A	Aileron control, flap control			
	CA452-368	Main gear			
PA-34-200	CA452-334A	Nose gear, aileron control, rudder trim, hydraulic system			
	CA452-335A	Nose & main gear door actuation, flap control			
	CA452-336A	Flap control			
	CA452-368	Main gear			
PA-34-200T	CA452-334A	Air conditioning, Condenser & scoop, nose gear, hydraulic system rudder trim			
	CA452-335A	Nose & main gear door actuation			
	CA452-336A	Flap control			
	CA452-368	Main gear			
	CA452-584	Aileron assembly, nose & main gear actuation			
PA-34-220T S/N 34-8133001 thru 34-8633031, 3433001 & up, & 3448001 & up, PA-34-220T S/N 3447001 thru 3447029, & 3449001 & up	CA452-334A	Nose gear, rudder trim hydraulic system, air conditioning, condenser & scoop			
	CA452-335A	Nose & main gear door actuation, aileron control, flap control			
	CA452-336A	Flap control			
PA-34RT-300/300T	CA452-334A	Nose gear, main gear, control system			
	CA452-335A	Landing gear door, flap control			
	CA452-336A	Flap control			
	CA452-368	Main gear			
	CA452-584	Landing gear door			
PA-36-285/300/375	CA452-584	Elevator & elevator trim control			
PA-42/PA42-720	CA452-335A	Cabin door step, engine controls			
PA-42-1000	CA452-412	Cabin door latch, nose landing gear, nose gear steering, elevator control			
PA-44-180/180T S/N 44-7995001 thru 44-8207020 & 4495001 thru 4495013	CA452-334A	Nose landing gear, main gear			
PA-44-180 S/N4496001 & up	CA452-335A	Landing gear door, aileron control, flap control			
	CA452-336A	Aileron control, flap control			
	CA452-584	Landing gear door			
PA-46-310P/350P S/N 46-8408001 thru 46-8608067, 4608001 thru 4608140 & 4622001 thru 4622200	CA452-334A	Nose gear, nose & main gear door, actuation			
	CA452-335A	Nose & main gear door actuation			
	CA452-412	Flap drive - electrical			
	CA452-860A	Flap drive - electrical, flap drive & hydraulic			
PA-46-350P S/N 4636001 & up	CA452-334A	Nose gear, nose & main gear door actuation			
PA-46R-350T S/N 4692001 & up	CA452-335A	Main gear			
	CA452-412	Flap Drive-Mechanical			
	CA452-860A	Flap Drive-Mechanical			
PA-46-500TP S/N 4697002,4697340,4697399 & up with G1000	CA452-334A	Nose gear, nose gear door actuation			
	CA452-335A	Main gear door actuation			
	CA452-412	Flap Drive-Mechanical			
	CA452-860A	Flap Drive-Mechanical			
PA-46-500TP S/N4697001 & up without G1000	CA452-334A	Nose gear, nose & main gear door actuation			
	CA452-335A	Nose & main gear door actuation			
	CA452-412	Flap Drive-Mechanical			
	CA452-860A	Flap Drive-Mechanical			
	CA452-334A	0.19	1/4-28 External		
	CA452-335A	0.19	1/4-28 Internal		
	CA452-336A	0.19	1/4-28 Internal		
	CA452-368	0.50	1/2-20 Internal		
	CA452-412	0.25	5/16-24 External		
	CA452-860A	0.25	1/4-28 External		
	CA452-584	0.19	Spherical		

Manufactured by PMA Products

Push-to-Unlock Controls

Perfect for home built or custom projects!

- Quality stainless steel construction with bright powder coated aluminum knobs
- High temperature Teflon lined conduit for smooth, consistent control (Cheap controls with poly liners will not tolerate engine temperatures)
- Heavy duty strength and long life
- Custom laser marking of the knobs is available
- Not for use on certified aircraft, flight controls or flight control trim tabs

Round knob with solid wire end (MC6150 series):

Order part number MC6150-071XXLLL where XX is the knob color code and LLL is the length in inches.

- Round Knob - Red, black, blue and clear (silver) or Chrome plated bronze (designed to match vintage controls)
- Available in 4, 6, 8, 10, 12 foot and custom lengths
- May be trimmed to length

Square knob with solid wire end (MC6160 series):

Order part number MC6160-071XXLLL where XX is the knob color code and LLL is the length in inches.

- Square black knob with a black or clear (silver) push-button
- Available in 6, 8, 12 foot and custom lengths
- May be trimmed to length
- Ideal for carburetor heat or alternate air

Round knob with 10-32 threaded push rod end (MC6250 series):

Order part number MC6250-XXLLL where XX is the knob color code and LLL is the length in inches.

- Round Knob - Red, black, blue and clear (silver)
- Available in 4, 5, 6, 7, 8, 9, 10 foot and custom lengths

Round knob with dual solid wire ends (MC6350 series):

Order part number MC6350-XXLLL where XX is the knob color code and LLL is the length in inches.

- Round Knob - Red, black, blue and clear (silver)
- Available in 4, 6, 8, 12 foot and custom lengths
- May be trimmed to length



Specifications:

- Travel (stroke): 3" minimum
- Conduit (dual wire controls): 0.188 inch OD, .071 inch ID (Inner Wire) Teflon lined wound conduit
- Conduit (single wire controls): 0.24 inch OD, .071 inch ID (Inner Wire) Teflon lined wound conduit with a Teflon jacket
- Max Work Loads: Pull: ~25 lbs; Push: ~10 lbs*
- Minimum Locking Force (measured at the knob): 15 lbs tensile, 10 lbs compression
- Operating Temp: -65 to 450 deg F (knob/housing assembly): -65 to 250 deg F)
- Panel Fitting: 7/16-20 thread

*Max push load for solid wire end designs is dependent on wire diameter, length of trimmed wire (unsupported by conduit), geometry of wire rigging, and the actuator configuration.

Custom Engraved Knobs:

Custom laser marking of the knobs is available for a small additional fee. Call for details.



Laser Marking
Clean and Durable!



Vintage Chrome
also available!

Knob/Color Codes	
Code	Description
BB	Black powder coated aluminum
RR	Red powder coated aluminum
LL	Blue powder coated aluminum
CC	Clear (Silver) anodized aluminum
CB	Black powder coated aluminum with Clear (Silver) push button
HH	Chrome plated brass knob

Push-Pull Controls and Accessories

Turn-to-Lock Controls

Perfect for homebuilt or custom projects!

These versatile controls are ideal for many applications. They feature a turn-to-lock mechanism that requires a quarter turn of the knob to lock or unlock the control.

- Quality stainless steel construction
- High temperature Teflon lined conduit for smooth, consistent control (Cheap controls with poly liners will not tolerate engine temperatures)
- Wire end - may be trimmed to length
- Not for use on certified aircraft, flight controls or flight control trim tabs

Dual twisted wire ends: P/N MCTL1014D LLL-K (LLL = length in inches, K = Knob style)

- 1/16" diameter 7X7 stainless steel
- ~ 30 lbs minimum locking force
- Includes two adjustable barrel stops to attach to Rotax choke arms
- Available in 4, 6, 8 and 12 ft lengths

Dual solid wire ends: P/N MCTL2254D072-K (K = Knob style)

- 0.071" diameter music wire
- ~ 55 lbs minimum locking force
- 6 foot length

Single twisted wire end: P/N MCTL1034-072-K (K = Knob style)

- 1/16" diameter 1X7 stainless steel
- ~ 30 lbs minimum locking force
- 6 foot length

Single solid wire end: P/N MCTL2254-072-K (K = Knob style)

- 0.071" diameter music wire
- ~ 55 lbs minimum locking force
- 6 foot length



Knob Style Suffix (-K)	Knob Style
-B	Ball
-F	Fluted
-P	4-Prong
-T	Shortened T-Handle
-FA	Fluted, engraved "Airbox Lock"
-FH	Fluted, engraved "Cabin Heat Lock"
-FL	Fluted, engraved "Lock"
-PL	4-Prong, engraved "Lock"
-TC	T-Handle, engraved "Choke Lock"
-TL	T-Handle, engraved "Lock"
	No knob

MCTL1014D series
MCTL2254D series

MCTL1034 series
MCTL2254 series

Call us with your custom requirements!

Specifications:

- Travel (stroke): 4.0" maximum
- Conduit (dual wire controls): 0.188 in OD Teflon lined
- Conduit (single wire controls): 0.25 in OD Teflon lined, Teflon jacket
- Max Work Loads: Pull: ~25 lbs; Push: ~10 lbs*
- Operating Temp: -65 to 450°F (knob/housing assembly: -65 to 250°F)
- Panel Fitting: 1/2-20 UNF thread

*Push loads apply to controls with solid wire only and depend on wire diameter, length of wire not supported by conduit, geometry of wire rigging, and the actuator configuration.

Universal Light-Weight Controls

- For use in non-certified aircraft applications such as carb heat, cabin heat, cabin air, and defrost
- Keyed shaft prevents rotation and maintains knob alignment
- High quality brass and aluminum construction
- Teflon lined conduit for smooth, consistent control (Cheap controls with poly liners will not tolerate engine temperatures)
- Many knob styles available or provide your own knob with 10-32 thread
 - Knobs are not included with the control, see pages 46-48 for knob choices
- Available in 4,6,8,10 and 12 ft and custom lengths - Wire end - Easily trimmed to length
 - Measured from panel fitting to end of conduit, wires extend at least 3" beyond conduit
- Available with optional creep resistant feature to prevent creep due to engine vibration



Standard Control: P/N MCU124-LLL (LLL = length in inches)

Control with creep resistant feature: P/N MCU224-LLL (LLL = length in inches)

Specifications:

- Travel (stroke): 3.75" maximum*
- Conduit: 0.188 inch OD Teflon lined
- Max Work Loads: Pull: ~10 lbs; Push: ~5 lbs**
- Operating Temp: -65 to 450°F
- Inner Wire: 0.061 inch solid wire
- Screw thread for knob attachment: 10-32 X .3
- Screw thread for instrument panel: 3/8-24 X .5

*Installer must ensure maximum travel is not exceeded during installation and rigging of the control.

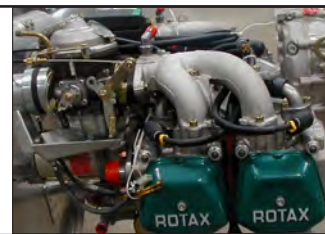
**Maximum push load with 3-1/2" of wire extending from the conduit. Push loads depend on wire diameter, length of wire not supported by conduit, geometry of the rigging and the actuator configuration.



Controls for Dual Carburetor 912/914 Series Rotax Engines

Allows a neat, clean installation without a clunky splitter box

- Quality metal construction
- High temperature Teflon lined conduit for smooth consistent control (Cheap controls with poly liners will not tolerate engine temperatures)
- Available in 4, 6, 8 and 12 foot and custom lengths - Easily trimmed to length
- Manufactured to the same quality standards as McFarlane's FAA-PMA parts
- Not for use on certified aircraft, or for flight controls or flight control trim tabs



Throttle Controls for 912/914 Series Rotax Engines

- Includes throttle hardware kit P/N 6408 with lightweight throttle return springs (P/N 6822 and 7235) to prevent throttle creep (see page 42)
- Inner Wire: Heavy duty 0.062 inch diameter, flexible 1/16 1X7 stainless steel twisted wire
- Conduit: 0.188 inch OD Teflon lined for smooth consistent control
- Design work load: 10 lbs (pull only)
- Operating temp: -65 to 450°F

Panel Mount: P/N MCT100DLLL (LLL = length in inches. Add a "-B" for a ball knob)

- Super smooth friction lock
- Travel (stroke): 3.75" max
- Typical locking force: 1 to 10 lbs (locking force dependent on friction lock engagement)
- Panel fitting: 1/2-20 UNF thread
- Control length is measured from panel fitting to end of conduit, wires extend 6 inches beyond conduit.
- Two knob options (ball or standard barrel shape)



P/N 6408
Dual hardware throttle kit

P/N EC03
Standard style knob

P/N EC53
Ball style knob



Vernier-Assist™ Panel Mount:

P/N MCTV0005DLLL with knob or MCVA0005-30DLLL without knob¹ (LLL = length in inches)

- Travel (stroke): 3.5" max
- Typical locking force: 1 to 10 lbs (locking force dependent on friction lock engagement)
- Panel fitting: 3/4-16 UNF X 0.875 inch thread
- Control length is measured from panel fitting to end of conduit, wires extend 6 inches beyond conduit.
- See page 43 for additional details



A vernier without a release button!
See page 43



Quadrant Style: P/N MCQ100DLLL (LLL = length in inches)

- Includes convenient dual conduit clamp P/N 6433-1 for simple quadrant mounting
- Viton boot to dampen vibration and seal out dust on the quadrant end
- Travel (stroke): 4" max
- Pushrod thread (quadrant end): 10-32 UNF X 0.65 inch thread
- Control length equals the conduit length, wires extend a minimum of 6 inches beyond the conduit.



P/N 6433-1
Dual Conduit Clamp

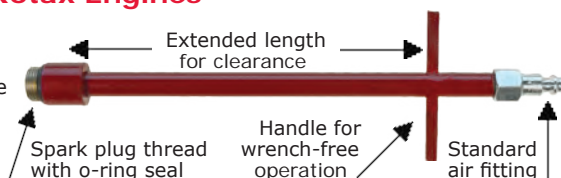


¹ Requires a knob with 1/4-20 thread. See page 44-46 for available knob options.

Compression Tester Extension for Rotax Engines

P/N EXTENSION CT12 (12mm thread)

- Wrench-free compression testing
- Allows for exhaust system and baffling clearance
- Makes compression testing easier



Manufactured by Baines Specialites LLC

Push-Pull Controls and Accessories

Choke Controls for 912/914 Series Rotax Engines

- Includes two adjustable barrel stops P/N 6515 to attach to the carb choke arms (no swaging or soldering necessary)
- Inner Wire: Heavy duty 0.062 inch diameter, flexible 1/16 7X7 stainless steel twisted wire
- Many knob styles available
- Conduit: 0.188 inch OD Teflon lined for smooth consistent control
- Design work load: 25 lbs (pull only)
- Operating temp: -65 to 450°F (knob housing assembly: -65 to 250°F)
- Control length is measured from panel fitting to end of conduit, wires extend 6 inches beyond conduit



P/N 6515 Barrel Stop

Turn-to-Lock: P/N MCTL1014DLLL-K (LLL = length in inches, K = Knob style - see page 40)

These controls feature a turn-to-lock mechanism that requires a quarter turn of the knob to lock or unlock the control at any position.

- Travel (stroke): 4.0" max
- Minimum locking force ~30 lbs
- Panel fitting: 1/2-20 UNF thread



Non-Locking: P/N MCC101DLLL-K (LLL = length in inches, K = Knob style - see table below)

Internal elastomer seal to dampen vibration and provide a small amount of resistance. If your choke installation features a return spring, this control will return to the closed position when released.

- Travel (stroke): 3.5" max
- Panel fitting: 7/16-20 X 1.3" UNF thread



Knob Style Suffix (-K)	Knob Style
-RB	Round, Black
-RC	Round, Clear (silver)
-RL	Round, Blue
-RR	Round, Red
-RBC	Round, Black, engraved with "Choke"
-RCC	Round, Clear (silver), engraved with "Choke"
-RLC	Round, Blue, engraved with "Choke"
-RRC	Round, Red, engraved with "Choke"



Throttle Return Springs

Stop throttle creep! Kit P/N 7140

A common complaint about the Rotax 912/914 engines is that the throttle return springs are too strong. McFarlane stocks a variety of springs so you can choose the one that best fits your application. All McFarlane Throttle Controls for Rotax engines contain P/N 7140. A new design limits potential contact with adjacent parts. Individual springs can also be purchased, see table. *For use on non-certified aircraft.*



Spring P/N	Relaxed Spring Length (max in)	Approx. Pre Load (lbf)	Spring Rate (lbf/in)
6822, Red, Left	1.6	1.5	2.1-2.7
7235, Blue, Right	1.6	1.5	2.1-2.7
Rotax Original	1.8 (approx.)	2.0	8-12 (approx.)

Throttle Hardware Kit for Rotax Engines

Dual Throttle Hardware Kit P/N 6408

Parts also available separately. For use on non-certified aircraft

Slip Fit Conduit Terminal P/N 6271

- M6x1 x 1.00 inch thread for easy adjustment
- Three installation options - (1) Free Fitting: Slip on the conduit, (2) Semi-Permanent: Secure to conduit with provided set screws, (3) Permanent: Epoxy to conduit with set screws

Adjustable cable stops P/N 6270

Prevents damage to the carburetor from excessive pilot force at the idle-cutoff position. If needed, install cable stop assembly on control wire(s). Locate stop so that when carburetor is at full idle, the cable stop is against part number 6271 conduit terminal.

Alternate Carburetor Arm Return Spring P/N 6822 (Red, Left) and 7235 (Blue, Right)

- Less than half the strength of the original stock Rotax springs
- Prevents throttle "creep" due to excessive return spring force
- Requires 1 per carburetor (2 per engine)
- Installer must determine whether this spring is appropriate for their application.



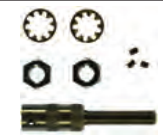
Kit contains:

2 each 6271 Slip Fit Conduit Terminal Assemblies, 2 each 6270 Adjustable Cable Stop Assemblies, 1 each 6822 (Red, Left) and 7235 (Blue, Right) Spring, 1 each Hex Wrench

Slip Fit Conduit Terminals

P/N 6271 (for 0.188" diameter conduit), P/N 7002 (for 0.258" diameter conduit)

- M6x1 x 1.00 inch thread for easy adjustment
- Three installation options - (1) Free Fitting: Slip on the conduit, (2) Semi-Permanent: Secure to conduit with provided set screws, (3) Permanent: Epoxy to conduit with set screws



Conduit Terminal P/N 6424

May be used as a slip fit conduit terminal, or swaged or epoxied onto the conduit. Fits 0.188" diameter conduit. OD is 0.25".

- 2 per control
- Stainless Steel



Barrel Stop Assembly P/N 6515

- Attach to the carburetor choke arm
- No swaging or soldering necessary
- Accepts 1/16" wire

For MCTL1014D series Turn-to-Lock Choke Controls and MCC101D series Non-Locking Choke Controls.



Vernier-Assist™ Throttle Controls

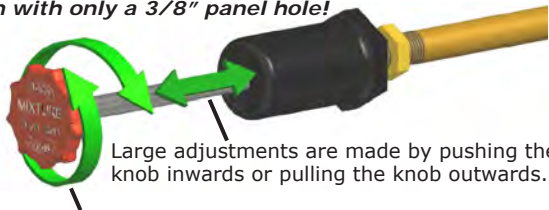
Precision Control

New roller action vernier provides smooth jam-proof coarse and fine adjustment.

- Jam-proof safety
- Precision power adjustments
- Smooth friction control
- Light and compact
- Standard vernier action, without the button!

MCMV Mixture Series

Vernier action with only a 3/8" panel hole!



Large adjustments are made by pushing the knob inwards or pulling the knob outwards.

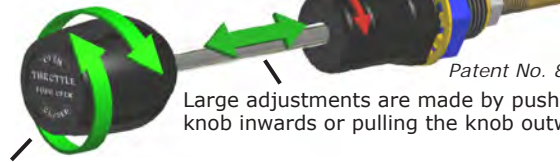
Fine adjustments are made by rotating the knob clockwise or counterclockwise. The McFarlane Vernier-Assist™ controls use a patented roller action and do not use a positive lock thread engagement. For extreme conduit routing or heavy carburetor load installations, slight inward or outward assist pressure could be required during rotation.

Vernier-Assist™

MCVA Throttle Series

Vernier and friction lock - The best of both!

Tension and vernier action is increased by tightening the tension nut.




Large adjustments are made by pushing the knob inwards or pulling the knob outwards.

Patent No. 8,485,057 B1

Alternate knobs available

- All controls below are offered with or without a knob
- As a propeller control use knob P/N 6730
- See page 44 for complete list of 1/4-20 thread knobs





**Vernier Assist Roller Pin
P/N 6518**
Now sold in six packs!

Throttle Control with 10-32 threaded end and 3.5" travel:

P/N MCTV1035-LLL with knob or MCVA1035-20-LLL without knob¹ (LLL = length in inches)

- Available in 3, 4, 5, 6, 7, 8 foot and custom lengths.
- Vernier and friction lock
- Requires a 3/4" panel hole



Throttle Control with 1/4-28 threaded end and 3.5" travel:

P/N MCTV2035-LLL with knob or MCVA2035-20-LLL without knob¹ (LLL = length in inches)

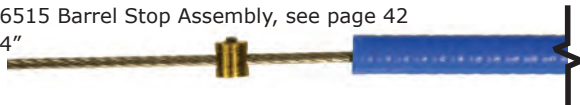
- Available in 3, 4, 5, 6, 7, 8 foot and custom lengths.
- Vernier and friction lock
- Requires a 3/4" panel hole



Throttle Control with 5/64" diameter 1X7 twisted stainless wire end and 3.5" travel:

P/N MCTV3035-LLL with knob or MCVA3035-20-LLL without knob¹ (LLL = length in inches)

- Available in 4, 6, 8, 12 foot and custom lengths.
- Vernier and friction lock
- Includes P/N 6515 Barrel Stop Assembly, see page 42
- Requires a 3/4" panel hole



Dual Throttle Control with 1/16" diameter 1X7 twisted stainless wire ends and 3.5" travel:

P/N MCTV0005DLLL with knob or MCVA0005-30DLLL without knob¹ (LLL = length in inches)

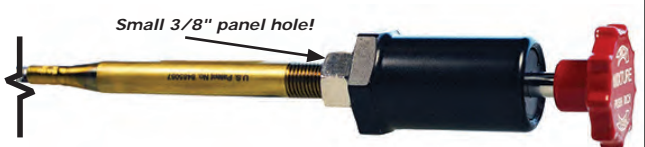
- Available in 4, 6, 8, 12 foot and custom lengths.
- Vernier and friction lock
- Includes P/N 6408 Hardware Kit, see page 42
- Perfect for Rotax 912/914 engines! See page 41.
- Requires a 3/4" panel hole



Mixture Control with 0.061" diameter solid wire end and 3.5" travel:

P/N MCMV0241-LLL with knob or MCVA0241-03-LLL without knob¹ (LLL = length in inches)

- Available in 4, 6, and 10 foot lengths.
- May be trimmed to length
- Compact behind the dash
- Requires a 3/8" panel hole
- Not recommended for use as a throttle control



¹ Requires a knob with 1/4-20 thread. See pages 44-46 for available knob options.

Replacement Knobs for McFarlane Push-Pull Controls

Photos on page 37

Parts used on FAA-PMA approved controls are FAA-PMA approved. All other parts are non FAA-PMA approved.

Part Number	Figure	Description	Thread	Color	Marking	Use Eligibility
1536A-B	1	T-Handle	10-32	Black		MCU series controls
1536A-C	2	T-Handle	10-32	Clear		MCU series controls
1536A-GN	3	T-Handle	10-32	Green		MCU series controls
1536A-L	4	T-Handle	10-32	Blue		MCU series controls
1536A-R	5	T-Handle	10-32	Red		MCU series controls
1536A-W	6	T-Handle	10-32	White		MCU series controls
1536A-Y	7	T-Handle	10-32	Yellow		MCU series controls
1536B-B	8	T-Handle	1/4-20	Black		MCTL series controls
1536B-C	9	T-Handle	1/4-20	Clear		MCTL series controls
1536B-GN	10	T-Handle	1/4-20	Green		MCTL series controls
1536B-L	11	T-Handle	1/4-20	Blue		MCTL series controls
1536B-R	12	T-Handle	1/4-20	Red		MCTL series controls
1536B-W	13	T-Handle	1/4-20	White		MCTL series controls
1536B-Y	14	T-Handle	1/4-20	Yellow		MCTL series controls
6277B	15	Round powder coated aluminum	10-32	Black		MCC101D and MCU series controls
6277C	16	Round anodized aluminum	10-32	Clear (silver)		MCC101D and MCU series controls
6277L	17	Round powder coated aluminum	10-32	Blue		MCC101D and MCU series controls
6277R	18	Round powder coated aluminum	10-32	Red		MCC101D and MCU series controls
6307-BK	19	Round powder coated aluminum	10-32	Black		MCU series controls
6307-RD	20	Round powder coated aluminum	10-32	Red		MCU series controls
6417	21	T-Handle	1/4-20	Black		MCTL series controls
6418	22	T-Handle	1/4-20	Black	"Lock" w/arrows	MCTL series controls
6427	23	4 Prong	1/4-20	Black		MCTL series controls
6428	24	4 Prong	1/4-20	Black	"Lock" w/arrows	MCTL series controls
6429	25	Fluted	1/4-20	Black		MCTL series controls
6430	26	Fluted	1/4-20	Black	"Lock" w/arrows	MCTL series controls
6432	27	Shortened T-Handle	1-4-20	Black		MCTL series controls
6489B	28	Square powder coated aluminum	10-32	Black		MCU series controls
6489C	29	Square anodized aluminum	10-32	Clear (silver)		MCU series controls
6489L	30	Square powder coated aluminum	10-32	Blue		MCU series controls
6489R	31	Square powder coated aluminum	10-32	Red		MCU series controls
6495-01B	32	Phenolic	10-32	Black		MCU series controls
6495-02B	33	Phenolic	10-32	Black		MCU series controls
6495-03B	34	Phenolic	10-32	Black		MCU series controls
6495-04B	35	Phenolic	10-32	Black		MCU series controls
6495-04R		Phenolic	10-32	Red		MCU series controls
6512B	36	Triangle powder coated aluminum	10-32	Black		MCU series controls
6512C	37	Triangle anodized aluminum	10-32	Clear (silver)		MCU series controls
6512L	38	Triangle powder coated aluminum	10-32	Blue		MCU series controls
6512R	39	Triangle powder coated aluminum	10-32	Red		MCU series controls
6570	40	Vernier-Assist Mixture	1/4-20	Red		Vernier-Assist Mixture series controls
6620	41	Vernier-Assist Throttle	1/4-20	Black		Vernier-Assist Throttle series controls
6660	42	T-Handle	1/4-20	Black	Choke Lock	MCTL series controls
6661	43	Fluted	1/4-20	Black	Cabin Heat Lock	MCTL series controls
6662	44	Fluted	1/4-20	Black	Airbox Lock	MCTL series controls
6730	45	Vernier-Assist Propeller	1/4-20	Blue		Vernier-Assist series controls
EC03	46	Black Knob	1/4-20	Black		Throttle controls
EC53	47	Black Ball Knob	1/4-20	Black		P/N MC12693-04 or MC455-139, MCT100D, MCTL and MCC101D series controls
EC125-1	48	2" Hemisphere	1/4-20	Black		
MC471-052	49	Round, Phenolic	10-32	Ivory		Piper Cabin Environment and Carb Heat Controls
MC471-053	50	Round, Phenolic	10-32	Red		Piper Mixture Controls
MC471-060	51	Round, Phenolic	10-32	Black		Piper Cabin Environment Controls
MC471-084	52	Round, Phenolic	10-32	Black		Piper Carb Heat Controls
MC571-131	53	Round, Phenolic	10-32	Clear (Silver)		Piper Cabin Environment and Carb Heat Controls
Knob Adapter	54	Adapts the McFarlane throttle control to the early hemisphere style knobs. Inner thread size is 1/4-20. Outer thread size is 1/4-28.				

See Knob Options table below for Color and Marking Codes

Knob Options

Color Code	Primary Marking Code (Secondary)
B-Black	A-CABIN AIR only on 6277 series knobs (PULL ON)
C-Clear (Silver)	B-CARB HEAT only on 6489 series knobs (PULL ON)
GN-Green	
L-Blue	C-CHOKE use on 6277 series knobs
R-Red	D-DEFROST only on 6277 series knobs (PULL ON)
W-White	
Y-Yellow	
	H-CABIN HEAT only on 6277 series knobs (PULL ON)
	P-PARK BRAKE only on 6277 series knobs (PULL ON)

Knob Jam Nuts and Lock Washers

Part Number	Description
EC33	1/4-20 Jam Nut

Use Eligibility:

MCTL Series Controls Throttle controls using 1/4-20 threaded fittings (except p/n MC12693-04 & MC455-139)

MS35650-304 10-32 Jam Nut

Use Eligibility: MCC101D series controls

MS35333-40 1/4" Steel Lock Washer

Use Eligibility: MCTL and MCC101D Series Controls

Decals

6289 Carb Heat Decal

Use Eligibility: Piper Carb Heat Controls


Custom engraved knobs are available for a small additional fee. Call for details.

Replacement Parts for McFarlane Push-Pull Controls

Photos on page 37

Parts used on FAA-PMA approved controls are FAA-PMA approved. All other parts are non FAA-PMA approved.

Boots: Fuel, oil and temperature resistant, keeps trash out of the control and dampens vibration.

Part Number	Figure	Description	Use Eligibility
235	62	3/16" Pushrod Boot	Controls with a 3/16" pushrod
272	63	1/4" Pushrod Boot	Controls with a 1/4" pushrod
EC04	64	Swivel Boot	Controls employing a swivel joint

Retaining Nuts and Lock Washers: The retaining nut threads onto the threaded section of the control on the back side of the instrument panel to secure the control.

Part Number	Figure	Description	Use Eligibility
6060-8	65	1/2-20 Retaining Nut	Throttle controls using 1/2-20 threaded fittings
EC111	66	1/2" Lock Washer	Throttle controls using 1/2" threaded fittings
MS35333-44	67	Same as EC111	
6060-12	68	3/4-16 Retaining Nut	Throttle controls using 3/4-16 threaded fittings
EC112	69	3/4" Lock Washer	Throttle controls using 3/4" threaded fittings
MS35333-47	70	Same as EC112	
6196	71	3/8-24 Jam Nut	Cessna carb heat controls
6197	72	3/8" Lock Washer	Cessna carb heat controls
6133	73	7/16-20 Retaining Nut	Throttle controls using 7/16-20 threaded fittings
6260	74	7/16-20 Retaining Nut, Modified	MC6350 Dual Push-to-Unlock controls
EC38	75	7/16" Lock Washer	
EC61	76	3/8" Lock Washer	P/N MC12693-04 or MC455-139
EC62	77	3/8-24 Retaining Nut	P/N MC12693-04 or MC455-139
EC65	78	Throttle Spacer Bushing	P/N MC12693-04 or MC455-139
EC119	79	3/4-16 Retaining Nut Extended Nut	McFarlane vernier controls using 3/4-16 threaded fittings

Threaded Wear Sleeve Nuts and Lock Washers: Threaded wear sleeves are used on many McFarlane controls to secure the control to the firewall and/or mounting brackets.

Part Number	Figure	Description	Use Eligibility
EC38	80	7/16" Lock Washer	MC565-548 series controls
EC70	81	12M x 1.25 Jam Nut	MC565 series controls
EC72	82	12mm Lock Washer	MC565 series controls

Spring

Part Number	Figure	Description	Use Eligibility
6822	83	Spring, Throttle, Red	Alternate carburetor arm return spring for dual carburetor 912/914 series Rotax engines. Less than half the strength of the original stock Rotax springs. Prevents throttle "creep" due to excessive return spring force.
7235	107	Spring, Throttle, Blue	
7140	108	Spring, Throttle Kit (one red and one blue)	Requires 1 per carburetor (2 per engine). See page 42.

Adjustable Friction Lock Service Kits

Part Number	Figure	Description	Use Eligibility
EC12SK	84	Friction Packing Service Kit	Throttle controls using a 1/2" friction nut
EC312SK	85	Friction Packing Service Kit	Throttle controls using a 9/16" friction nut

Miscellaneous

Part Number	Figure	Description	Use Eligibility
6135	86	1/8" Ball Bearing, sold in 5 packs.	Replaces the ball bearing used in the locking mechanism for the MC6150, MC6250 and MC6350 series Push-to-Unlock controls.
6270	87	Cable Stop Assembly	Rotax Engines
6271	88	Conduit Terminal Assembly, Slip Fit	Rotax Engines
6290-06-12K	89	Panel Hole Reducer 0.375 X 0.75	Includes a flat washer. Not for use on certified aircraft.
6290-08-12K	90	Panel Hole Reducer 0.50 X 0.75	Includes a flat washer. Not for use on certified aircraft.
6408	91	Dual Throttle Hardware Kit	Rotax Engines
6409	92	Allen Wrench	MCTL series controls
6415	93	Panel Bolt, Turn-to-Lock	MCTL series controls
6416	94	Pin, Turn-to-Lock	MCTL series controls
6420	95	Ferrule, Turn-to-Lock, Brass	MCTL series controls
6423	96	Ferrule, Turn-to-Lock, Nylon	MCTL series controls
6424	97	Conduit Terminal	Rotax Choke Controls
6433-1	98	Conduit Clamp	MCQ100 series controls
6515	99	Barrel Stop Assembly	MCC101D and MCTL series controls
6518	100	Vernier Assist Roller Pin	Vernier Assist series controls
6797	101	Control Clip Plate	Typically used on quadrant style controls
7002	102	Slip Fit Terminal	Rotax Engines
EC02	103	1/2" Friction Adjust Wheel	Throttle controls using a 1/2" friction adjust wheel
EC89	104	Wedge Washer	One used on each side of the instrument panel to angle a control (approx 6.5°) to avoid interference behind the panel. 9/16" ID, sold in pairs. Included with Cessna 170 aircraft throttle control.
EC98	105	9/16" Friction Adjust Wheel	Throttle controls using a 9/16" friction adjust wheel
M83248/1-006	106	O-ring	MCC101D series controls

Conduit Clamps

Standard (AN742 Series)

MIL-SPEC standard clamps.

Extra Grip (6317 Series)

Similar to standard AN742 clamps, but include a detent groove for better grip on coiled wire conduit.

Cushioned CJ Type MIL-Spec (MS21919WCJ Series)

Adel clamps for high temp application. (See page 96)

Part Number	Material	Approximate Conduit Diameter
6317-3	Steel	3/16"
6317-4	Steel	1/4"
6317D3	Aluminum	3/16"
6317D4	Aluminum	1/4"
AN742-3	Steel	3/16"
AN742-4	Steel	1/4"
AN742D3	Aluminum	3/16"
AN742D4	Aluminum	1/4"



AN742 Series



6317 Series



MS21919 Series

McFarlane recommends using steel clamps near the engine or exhaust instead of aluminum clamps.

Figures 1-108 Photos are not to scale relative to each other. Product details are on pages 44-45.

Push-Pull Controls and Accessories

1 P/N 1536A-B	2 P/N 1536A-C	3 P/N 1536A-GN	4 P/N 1536A-L	5 P/N 1536A-R	6 P/N 1536A-W	7 P/N 1536A-Y	8 P/N 1536B-B	9 P/N 1536B-C
10 P/N 1536B-GN	11 P/N 1536B-L	12 P/N 1536B-R	13 P/N 1536B-W	14 P/N 1536B-Y	15 P/N 6277B	16 P/N 6277C	17 P/N 6277L	18 P/N 6277R
19 P/N 6307-BK	20 P/N 6307-RD	21 P/N 6417	22 P/N 6418	23 P/N 6427	24 P/N 6428	25 P/N 6429	26 P/N 6430	27 P/N 6432
28 P/N 6489B	29 P/N 6489C	30 P/N 6489L	31 P/N 6489R	32 P/N 6495-01B	33 P/N 6495-02B	34 P/N 6495-03B	35 P/N 6495-04B	36 P/N 6512B
37 P/N 6512C	38 P/N 6512L	39 P/N 6512R	40 P/N 6570	41 P/N 6620	42 P/N 6660	43 P/N 6661	44 P/N 6662	45 P/N 6730
46 P/N EC03	47 P/N EC53	48 P/N EC125-1	49 P/N MC471-052	50 P/N MC471-053	51 P/N MC471-060	52 P/N MC471-084	53 P/N MC571-131	54 P/N KNOB ADAPTER
Examples of marked knobs								
62 P/N 6277BP	63 P/N 6277BC	 P/N 6277LP	 P/N 6489RB	 P/N 6489CB	 P/N 6378	 P/N 474-084 with P/N 6289 Decal	62 P/N 235	63 P/N 272
64 P/N EC04	65 P/N 6060-8	66 P/N EC111	67 P/N MS35333-44	68 P/N 6060-12	69 P/N EC112	70 P/N MS35333-47	71 P/N 6196	72 P/N 6197
73 P/N 6133	74 P/N 6260	75 P/N EC38	76 P/N EC61	77 P/N EC62	78 P/N EC65	79 P/N EC119	80 P/N EC38	81 P/N EC70
82 P/N EC72	83 P/N 6822	84 P/N EC12SK	85 P/N EC312SK	86 P/N 6135	87 P/N 6270	88 P/N 6271	89 P/N 6290-06-12K	90 P/N 6290-08-12K
91 P/N 6408	92 P/N 6409	93 P/N 6415	94 P/N 6416	95 P/N 6420	96 P/N 6423	97 P/N 6424	98 P/N 6433-1	99 P/N 6515
100 P/N 6518	101 P/N 6797	102 P/N 7002	103 P/N EC02	104 P/N EC89	105 P/N EC98	106 P/N M83248/1-006	107 P/N 7235	108 P/N 7140

McFarlane now offers a wide selection of spark plugs, vacuum pumps, oil filters, and more!

We continue providing high-quality FAA-PMA parts and services for your instrument panel and firewall forward by expanding our product selection to include Tempest, Alcor, Marvel Schebler, Precision Airmotive, and Consolidated Systems.



Pneumatic, Ignition, and Filtration Products

Tempest is a leading manufacturer of dry air pumps, spark plugs, and oil filters. Additional products include fuel pumps, oil filter adapters, and specialty tools.



New, Rebuilt, and Overhauled Carburetors

Marvel-Schebler provides genuine MSA carburetors, kits and parts including factory overhauls. Each carburetor is built with the highest quality standards. Factory carburetors are subjected to a dynamic fuel delivery analysis from idle to full throttle to ensure proper engine performance.



Instruments, Probes, and Sensors

Alcor has been a leader in the world of exhaust gas temperature (EGT), cylinder head temperature (CHT) and turbine inlet temperature (TIT) sensor development. Alcor maintains a stellar reputation for its high-quality probes. Alcor probes and sensors are compatible with the vast majority of engine monitors.



Fuel Injection Systems

Precision Airmotive provides factory new, rebuilt and overhauled RSA fuel injection servos. They also manufacture new, rebuilt and overhauled flow dividers, new and overhauled nozzles, as well as a complete line of replacement parts and kits.



FAA Repair Station

Consolidated Fuel Systems offers complete overhaul services for RG Lear Romec fuel pumps and Continental fuel injection systems.



Resistance Tester

Know when to replace your Spark Plugs!

P/N AT5K

Measures between the terminal inside the lead and the spark plugs center firing tip.

- Follows MIL-S-7886
- Prevents misfiring, wasted fuel, and pollution



Green only — Excellent
Green and Red — Serviceable
Red only — Replace with a new Spark Plug

Thread Lubricant

Lubricate your Spark Plug threads during the cleaning process

P/N T556

- Flows smoothly
- Spreads evenly
- Doesn't ball up!
- Dries quickly

Maintenance Tip:

Do not get any lubricant on the electrodes or the insulator. If you do, wipe it off with a cloth dampened with water.



Spark Plug Gasket

Best price — quantity discount!

P/N MS17840-1

18mm solid copper



Spark Plug Tray

Balance and organize Spark Plugs during maintenance

P/N AA446

- Constructed with high quality metal, protecting Spark Plug damage
- Rubber feet to keep tray in place on metal workbenches and tool boxes
- Numbered slots for proper organization and rotation



Avoid spilling your Spark Plugs!

*Spark Plugs not included

Spark Plugs

The best spark plugs at the best price!

Not your grandfather's spark plugs!

- Fired in' resistor for stable resistance value and smoother running engine
- Zero-leakage seal encloses hot, high pressure combustion gases
- Durable nickel finish offers wear and corrosion resistance
- Ceramic insulator provides high performance in severe operational conditions
- Reduced fouling and enhanced heat range control



NEW

Engine Models	Part Number	Massive								Fine Wire								
		EAREM37HE	UREB37E	UREM37BY	UREM38E	UREM40E	EARHB32E	URHB32E	URHB37E	URHM38E	URHM40E	UREB36S	UREM38S	EARHB32S	URHB32S	URHB36S	URHM38S	EARHM38SE
		5/8"-24 Thread				3/4"-20 Thread				5/8"-24 Thread		3/4"-20 Thread						
Continental Motors																		
A-65, A-75, C-75, C-85, C-90, C115, C-125 Series																		
C-145 Series																		
E165, E-185, E225 Series																		
O-200-A, B, C, D																		
IO-240-A, B																		
O-300-A, B, C, D, E																		
GO-300-A, B, C, D, E, F																		
IO-360-A, AB, C, CB, D, DB, E, ES, G, GB, H HB, J, JB, K, KB																		
IO-360-B																		
TSIO-360-A, AB, B, BB, C, CB, D, DB, E, EB, ES, F, FB, G, GB, H, HB, JB, K, KB, LB, MB, NB, PB, RB, SB																		
LTSIO-360-E, EB, K, KB, RB																		
O-470-2																		
O-470-4, 11, 11B, 11B-C1, 11-C1, 13, 13A, 15																		
O-470-B, G, H, M, N, P, R, S																		
O-470-B-C1, G-C1, K-C1, L-C1, M-C1																		
O-470-A, E, J, K, L,																		
O-470-T, U																		
IO-470-A, C, G, P, R, T																		
IO-470-D, E, F, H, L, LO, M, N, S, U, V, VO																		
IO-470-J, K																		
L/IO-470-A																		
TSIO-470-B, C, D																		
IO-520 Series																		
IO-520-A, B, BA, BB, C, CB, D, E, F, J, K, L, M, MB, N, NB																		
LIO-520 Series																		
TSIO-520-A, AE, AF, B, BB, BE, C, CE, D, DB, E, EB, F, G, H, J, JB, K, KB, L, LB, M, N, NB, P, R, T, U, UB, V, VB, WB																		
LTSIO-520-A, AE, B, BE, C, CE, D, DB, E, EB, G, H, J, JB, K, KB, L, LB, M, N, NB, P, R, T, U, UB, VB, WB																		
GTSIO-520-C, D, E, F, G, H, K, L, M, N																		
IO-550-A, B, C, D, E, F, G, L, N, P, R																		
IOF-550-B, C, D, E, F, L, N, P, R																		
TSIO-550-A, B, C, E, K																		
R9-A																		
R-670																		
R-670-3, -4, -8, -11, -11A																		
W-670																		
Continental Titan™ Engines																		
OX-320 series																		
IOX-320 series																		
OX-340 series																		
IOX-340 series																		
OX-360 series																		
IOX-360 series																		
OX-370 series																		
IOX-370 series																		
OX-540 series																		
IOX-540 series																		
O-340 series (ASTM certified)																		
IO-340 series (ASTM certified)																		
Electroair (electronic ignition)																		
EIS-41000, EIS-41000IC, EIS-41000T, EIS-41000TIC, EIS-41000TLH, EIS-41000LHIC																		
Franklin/PZL/WSK																		
2A-120-A, B, C, D																		
4A-235-B, B1, B2, B3, B4, B6																		
6AS-335-A, B																		
6V-335-A1A, A1B																		
6VS-335-A, B, A1, B1																		
6A-350-C1, C1A, C2, C2A, C1L, C1R, D, D1, D1A, D1B																		
6AS-350-A, A1																		
6V-350-A, B																		
PZL-3S, 3S 2nd Series, 3SR																		
ASZ-62IR-16, M18																		
Jacobs																		
L-4, L-5, L-6 Series																		
4M, 4MA, 4MA7, 4MB, 5M, 5MB, 6M, 6MA, 6MBA																		
R-755-A1, A2, A2M, A2M1, B1, B2, B2M, E																		
R-755S, SM																		
R-755-9																		
R-915-3, 5, 7																		

Eligibility continued on next page

Spark Plugs eligibility continued from previous page

Eligibility continued from previous page	Part Number	Massive								Fine Wire								
		EAREM37HE	UREB37E	UREM37BY	UREM38E	UREM40E	EARHB32E	URHB32E	URHB37E	URHM38E	URHM40E	UREB36S	UREM38S	EARHB32S	URHB32S	URHB36S	URHM38S	EARHM38SE
Engine Models		5/8"-24 Thread				3/4"-20 Thread				5/8"-24 Thread	3/4"-20 Thread							
Ken Royce																		
Ken Royce 7F, 7G																		
Ken Royce 90 5G																		
Kinner																		
B-5, B-54, C-5, K-5																		
Kinner R-5, R-5 Series 2, R-55, R-56																		
Lambert																		
B-5, B-54, C-5, K-5																		
LeBlond																		
LeBlond 70 5DE, 5E																		
LeBlond 85 5F, 5DF																		
LeBlond 90 5F																		
LeBlond 110 7DF																		
Menasco																		
Buccaneer A-6, B-6, B6S																		
Super Buccaneer C6S-4																		
Pirate A-4, B-4, C4, D4, M-50																		
Super Pirate D-4-87																		
P. Ponk																		
O-470-50 Super Eagle																		
Pratt & Whitney																		
R-985 Wasp Jr. Series																		
R-1340 Wasp Series (Short Reach)																		
R-1340 Wasp Series (Long Reach)																		
SR-1340-E																		
R-1800 Twin Wasp E1																		
R-1830 Twin Wasp Series																		
R-2000 Twin Wasp Series																		
Twin Wasp Series SC-G, SC3-G, S1C-G, S1C3-G, S3C4-G, S4C4-G																		
R-2800 Double Wasp A, B, Series																		
Double Wasp Series CA3, CA5, CA15, CA17, CA18, CA19, R2800-97, CB3, CB4, CB16, CB17																		
R-4630 Wasp Major Series																		
Ranger																		
Ranger 6-390, 6-410, 6-440 Series																		
Superior Air Parts																		
O-360-A1A1, A1A2, A2A1, A2A2, A3A1, A3A2, A4A1, A4A2, A5A1, A5A2, A6A1, A6A2, B1A1, B1A2, B2A1, B2A2, B3A1, B3A2, B4A1, B4A2, B5A1, B5A2, B6A1, B6A2, C1A1, C1A2, C2A1, C2A2, C3A1, C3A2, C4A1, C4A2, C5A1, C5A2, C6A1, C6A2, D1A1, D1A2, D2A1, D2A2, D3A1, D3A2, D4A1, D4A2, D5A1, D5A2, D6A1, D6A2, E1A1, E1A2, E2A1, E2A2, E3A1, E3A2, E4A1, E4A2, E5A1, E5A2, E6A1, E6A2																		
O-360-A1A1, A1A2, A2A1, A2A2, A3A1, A3A2, A4A1, A4A2, A5A1, A5A2, A6A1, A6A2, B1A1, B1A2, B2A1, B2A2, B3A1, B3A2, B4A1, B4A2, B5A1, B5A2, B6A1, B6A2, C1A1, C1A2, C2A1, C2A2, C3A1, C3A2, C4A1, C4A2, C5A1, C5A2, C6A1, C6A2, D1A1, D1A2, D2A1, D2A2, D3A1, D3A2, D4A1, D4A2, D5A1, D5A2, D6A1, D6A2, E1A1, E1A2, E2A1, E2A2, E3A1, E3A2, E4A1, E4A2, E5A1, E5A2, E6A1, E6A2																		
Textron Lycoming																		
O-235-C, E, H, K, L, M, N, P Series																		
O-235-F, G, J Series																		
O-290 Series																		
O-320-A, B, C, D, E, H Series																		
O-320-F Series																		
IO-320 A, B, C, D, E, Series																		
IO-320-F Series																		
IO-320-C1A, F1A (Long Reach)																		
IO-320-C1B (Long Reach)																		
AIO-320-A, B, C series																		
LIO-320-B Series (Short Reach)																		
LIO-320-C1A (Long Reach)																		
AEIO-320 A, B, C, D, E Series																		
O-340-A, B Series																		
O-360-A, B, C, D, F, J Series																		
O-360-E Series																		
HO-360-A, B, C Series																		
IO-360-A, B, C, D, E, F, J, K, L, M Series																		
IO-360-A1B6, C1A, C1F, F1A Series (Long Reach)																		
LO-360-A, C, E Series																		
TO-360-A, C, E, F Series																		
TO-360-C1A6D, E1A6D, F1A6D Series (Long Reach)																		
VO-360-A, B Series																		
AIO-360-A, B Series																		
HIO-360-A, B, G Series																		
HIO-360 -C, D Series																		
HIO-360-E1AD, E1BD, F1AD Series (Long Reach)																		
IVO-360-A Series																		
LIO-360-C, M Series																		
LTO-360-A1A6D, E1A6D																		
TIO-360-A, C Series																		
AEIO-360-A, B, C, H Series																		
AEIO-360-A Series (Long Reach)																		

Eligibility continued on next page

Spark Plugs eligibility continued from previous page

Firewall Forward

Eligibility continued from previous page	Part Number	Massive								Fine Wire								
		EAREM37HE	UREB37E	UREM37BY	UREM38E	UREM40E	E/ARHB32E	URHB32E	URHB37E	URHM38E	URHM40E	UREB36S	UREM38S	E/ARHB32S	URHB32S	URHB36S	URHM38S	E/ARHM38SE
Engine Models		5/8"-24 Thread				3/4"-20 Thread				5/8"-24 Thread		3/4"-20 Thread						
Textron Lycoming																		
LH10-360-C Series				*	*					*		*						
LH10-360-F1AD								*	*					*		*		
IO-390-A, C		*									*			*		*		
AEIO-390-A		*						*			*			*		*		
O-435-A, C, K Series					*	*			*	*		*					*	
O-435-B Series											*						*	
O-435-A1A (Long Reach)								*	*								*	
O-435-6, 6A																	*	
O-435-23, 23A, 23B, 23C, 25, 25A		*						*	*		*		*		*		*	
GO-435-A Series					*	*			*	*		*					*	
GO-435-C, D, Series						*			*	*		*					*	
GO-435-K Series						*			*	*		*					*	
VO-435-A Series					*	*			*	*		*					*	
VO-435-A, B Series (Long Reach)		*						*	*		*		*		*		*	
TVO-435-A Series (Short Reach)					*	*			*	*		*					*	
TVO-435-A, B, C, D, E, F, G Series (Long Reach)		*						*	*		*		*		*		*	
O-480-1, 3								*			*		*		*		*	
GO-480-B, D, F Series					*	*			*	*		*		*		*		
GO-480-C, G Series					*	*			*	*		*		*		*		
GO-480-G1, G2 Series (Long Reach)		*						*	*		*		*		*		*	
GO-480-E1A6								*	*		*		*		*		*	
GSO-480-A, B, D, F Series (Short Reach)					*	*			*	*		*		*		*		
GSO-480-A, B Series (Long Reach)					*	*			*	*		*		*		*		
IGO-480-A Series (Long Reach)		*						*	*		*		*		*		*	
IGSO-480-A Series (Short Reach)					*	*			*	*		*		*		*		
IGSO-480-A Series (Long Reach)		*						*	*		*		*		*		*	
O-540-A, B, D, E, F, G, H, J Series					*	*			*	*		*		*		*		
O-540-L3C5D, M1B5D Series (Long Reach)		*						*	*		*		*		*		*	
IO-540-A, AB, AE, B, C, D, E, G, J, K, L, M, N, P, R, S, T, U, V, W, (Short Reach)					*	*			*	*		*		*		*		
IO-540-AF (Short Reach)					*	*			*	*		*		*		*		
IO-540-AA, AC, AE, E, G, J, K, M, N, P, R, S, U (Long Reach)					*	*			*	*		*		*		*		
IO-540-E1A5, E1B5, E1C5, J4A5, K1B5, K1B5D, K1C5, K1D5, K1E5, K1E5D, K1F5, K1F5D, K1G5, K1G5D, K1H5, K1J5, K1J5D, K1K5, K1K5D, K2A5, P1A5, R1A5 (Long Reach)		*						*	*		*		*		*		*	
VO-540-A, B, C Series (Short Reach)					*	*			*	*		*		*		*		
VO-540-A, B, C Series (Long Reach)		*						*	*		*		*		*		*	
TIO-540-C1A, E, H		*						*	*		*		*		*		*	
TIO-540-A, AA, AB, AE, AF, AG, AH, AJ, AK, C, E, F, G, H, J, K, N, R, S, T, U, V, W Series								*	*		*		*		*		*	
LTIO-540-F, J, N, R Series								*	*		*		*		*		*	
LTIO-540-U, V Series								*	*		*		*		*		*	
AEIO-540-D, L Series (Short Reach)					*	*			*	*		*		*		*		
AEIO-540-L Series (Long Reach)		*						*	*		*		*		*		*	
IGO-540-A, B, Series		*						*	*		*		*		*		*	
IVO-540-A Series		*						*	*		*		*		*		*	
TIVO-540-A Series								*	*		*		*		*		*	
IGSO-540-A, B Series					*	*			*	*		*		*		*		
TIO-541-A, E Series					*	*			*	*		*		*		*		
TIGO-541-A, E Series		*						*	*		*		*		*		*	
IO-580 Series (Short Reach)					*	*			*	*		*		*		*		
IO-580 Series (Long Reach)		*						*	*		*		*		*		*	
AEIO-580 Series (Short Reach)					*	*			*	*		*		*		*		
AEIO-580 Series (Long Reach)		*						*	*		*		*		*		*	
R-680 Series					*	*			*	*		*		*		*		
IO-720-A, B, C, D Series (Short Reach)					*	*			*	*		*		*		*		
IO-720-A, B, C, D Series (Long Reach)		*						*	*		*		*		*		*	
Warner																		
Scarab Series 28, 29, 30, 40, 50					*	*			*	*		*		*		*		
Scarab Jr. Series 40, 50					*	*			*	*		*		*		*		
Super Scarab Series 40, 50, 50A					*	*			*	*		*		*		*		
Super Scarab 165, A, B, D, 185, 185J, 185K					*	*			*	*		*		*		*		
Wright/ Curtis Wright																		
Cyclone Double Row Series		*						*	*		*		*		*		*	
Cyclone R-1300 Series		*						*	*		*		*		*		*	
Cyclone R-1820 Series (Except F & HE)		*						*	*		*		*		*		*	
Cyclone R-1820-84 (C9HE) Series								*	*		*		*		*		*	
Cyclone R-2600 Series		*						*	*		*		*		*		*	
Cyclone R-3350-C18BA, C18BD		*						*	*		*		*		*		*	
GR-540 Series					*	*			*	*		*		*		*		
GR-975 Series (Short Reach)					*	*			*	*		*		*		*		
GR-975C Series (Long Reach)		*						*	*		*		*		*		*	
R-540 Series					*	*			*	*		*		*		*		
R-975 Series (Short Reach)					*	*			*	*		*		*		*		
R-975 Series (Long Reach)		*						*	*		*		*		*		*	
Whirlwind J-5 (Short Reach)					*	*			*	*		*		*		*		
Whirlwind J-5 (Long Reach)		*						*	*		*		*		*		*	
Whirlwind R-760 Series (Long Reach)		*						*	*		*		*		*		*	
Whirlwind R-760 Series - 1/2" reach cyl.		*						*	*		*		*		*		*	

AeroGuard™ Air Filters

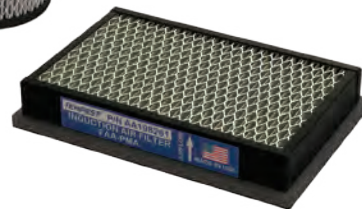
Greatly reduces contaminants and maximizes airflow

- Filters more than 99% of contaminants larger than 5 microns
- Clean with air and soap water
- Consistently stops fine particles
- Air filters are cheap — engines are not!
- These are not a paper filter, so the AD does not apply

One teaspoon of dirt ruins an engine!

Maintenance Tip:

Tempest® induction air filters can be cleaned using compressed air or a mixture of water and detergent. For full installation, cleaning, inspection, and storage instructions, visit our website www.mcfarlaneaviation.com/media/documents/aeroguard-instructions.pdf



NEW

Cheap foam filters don't go the distance!

Aircraft Model	Part Number
Aeronca	
65-CA, S-65-CA	AA10-7150
Aeronca (Champion)	
7AC, 7ACA, 7BCM, 7CCM, 7DC, 7EC, 7ECA, 7FC, 7GCAA, 7GCBC, 7JC, 7KC, 7KACB, 7SAC, 7S7CCM, 7S7DC, 7S7EC	AA10-7150
Aviat	
A-1	AA10-7150
Beechcraft	
19A, 23, A23, A23-19, A23A, A24, B23	AA617058
35-33, 35-B33, C33, E33	
E33A, F33A, F33C, G33	
B35, C35, D35, E35, F35, G35, H35, J35, K35, M35, N35, P35	AA13-0374
S35, V35, V35A, V35B, V35TC	
35-C33A, 36, A36	
95-C55, C55A, D55, D55A	AA12-7996
E55, E55A, 58	AA12-7996 AA12-8167
58P, 58TC	AA12-4439
Bellanca	
17-30A	AA10-6150
Britten-Norman (Pilatus)	
BN-2, BN-2A, BN-2A-2, BN-2A-3, BN-2A-6, BN-2A-8, BN-2A-9, BN-2A-20, BN-2A-21, BN-2A-27, BN-2B-20, BN-2B-21, BN-2B-26, BN-2B-27	AA10-6150
Cessna	
120, 140, 140A	
150, 150A, B, C, D, E, F, G, H, J, K, L, M	AA10-7150
A150K, L, M, F150G, H, J, K, L, M, FA150K, L	
152, A152, F152, FA152	
170, 170A, B	AA10-7172
172, 172A, B, C, D, E, F, G, H, I, K, L, M, N, P, Q	
172R, S	AA198281
F172D, E, F, G, H, K, L, M, N, P	AA10-7172
177, 177A, B, 177RG	AA11-0172
180A, B, C, D, E, F, G, H, J, K	
182, 182A, B, C, D, E, F, G, H, J, K, L, M, N, P, Q, R, S, T, T182T	AA10-6150
182R, T, TR182	AA13-1367
F182P, Q	AA10-6150
185, 185A, B, C, D, E, A185E, A185F	
Champion/Aeronca	
7GCAA, 7GCBC, 7KACB, 8GCBC, 8KACB	AA10-6150
Diamond	
DA 40F	AA10-7172
Ercoupe	
F-1, F-1A	AA10-7150
Ercoupe (Univair)	
A-2, A2-A	AA10-7150

Continued in next column

Aircraft Model	Part Number
Continued from previous column	
Grumman	
AA-1, AA-1A, AA-1B, AA-1C	AA10-7150
Luscombe	
8, 8A, 8B, 8C, 8D, 8E, 8F, T-8F	AA10-7150
Maule	
M-4, M-4C, 4S, 4T, M-4-180C, S, T, M-4-220, M-4-220C, S, T	
M-180C, M-5-10C, 210TC, M-5-235C	AA10-7172
M-6-180, M-6-235	
M-7-235, MX-7-160, MX-7-180	
Mooney (Univair)	
M10	AA10-7150
Mooney	
M-18C, M-20, M20A, B, C, D, G	AA10-7172
Piper	
J-3, J3C-65, J3C-65S, J4A, J4A-S, J4E, J5A, J5A-80	
PA-11, PA-11S, PA-12, PA-12S, PA-16, PA-17	
PA-18, PA-18 "125", "135", "150", PA-18A, PA-18A "150", PA-18AS "125", "135", PA-18S, PA-18S "125", "150"	AA10-7150
P-19, PA-20, PA-20 "115", "135"	
PA-22	
PA-23-235	AA617058
PA-23-250	AA617058 AA617774
PA-E23-250	AA617774
PA-24, PA-24-250, 260	AA617058
PA-28-140, 150, 160, 180, 181, 201T, 235	
PA28R-180, 200, 201	AA617053
PA28R-201T, PA28RT-201, 201T	AA617053 AA617058
PA-30	AA617053
PA-32-260	AA617058
PA-32-300	AA617058 AA617774
PA-32-301, 301FT, PA-32R-300, 301, PA32RT-300	AA617058
PA-34-200	AA617053
PA-34-200T, 220T	AA617058
PA-36-285, 300, 375	
PA-38-112	AA10-7150
PA-39, PA-44-180	AA617053
Swift	
GC-1A, 1B	AA10-7150
Taylorcraft	
19, F19, 21, 22, 22A, 22B, 22C	
BC12-64, BC12-D1, BC12-D-4-85, BC12-D-85, BC-65, BCS12-D1, BCS12D-4-85, BCS12D-85, BCS-65, DC-65, DCO-65	AA10-7150

Instrument Air Filter

P/N AA103535IA
Replaces Cessna P/N C294501-0302

P/N AA103435IA
Replaces Cessna P/N C294501-0301



For full aircraft eligibility, enter your aircraft model on our website. Scan this code for direct access!



NEW

.../products/category/firewall-forward-pneumatic-system-filters/

Oil Filters

Save time and money!

- Magnetic capture of micro-steel particles
• Strengthened can
• Increased burst strength
• Full pleat media designed for uniform flow and collapse resistance
• Spin EZ® lubricant for easy removal of the filter
• Better by-pass value

Best Oil Filters in the industry at the lowest price! \$\$\$



Aerospatiale (Socata)

Table with columns: Aircraft/Mfg Model, Engine Model, Part Number. Rows include TB9 Tampico, TB10 Tobango, TB20 Trinidad, TB21 Trinidad TC, TB-30.

Aerostar (See Piper)

American General Aircraft

Table with columns: Aircraft/Mfg Model, Engine Model, Part Number. Row: AG5B Tiger.

Beech Single Engine Models

Table with columns: Aircraft/Mfg Model, Engine Model, Part Number. Rows include E33A, F33A, F33B, F33C, G-33, H-35, J, K, M-35, N, P-35, S35, V35, V35A, V35B, S35, V35TC, V35A-TC, V35B-TC, V35, V35A, V35B, 36, A36, A36TC, B36TC, B36-550.

Beech Debonair/Bonanza

Table with columns: Aircraft/Mfg Model, Engine Model, Part Number. Row: C33A, E33A, E33C.

Beech Musketeer

Table with columns: Aircraft/Mfg Model, Engine Model, Part Number. Rows include Sport III, A23-19, 19A, B19 Sport, A23, A23A, B23, C23 Sundowner, B23.

Beech Serra

Table with columns: Aircraft/Mfg Model, Engine Model, Part Number. Row: 24, A-24, A-24R, B-24R, C-24R.

Beech Skipper

Table with columns: Aircraft/Mfg Model, Engine Model, Part Number. Row: 77.

Beech Barron

Table with columns: Aircraft/Mfg Model, Engine Model, Part Number. Rows include C55, D55, E55, 58, 56TC, A56TC, BARRON 58P, 58TC, BARRON 58C, 550.

Beech Duke

Table with columns: Aircraft/Mfg Model, Engine Model, Part Number. Rows include 60, A60, B60, 207.

Beech Queen Air

Table with columns: Aircraft/Mfg Model, Engine Model, Part Number. Rows include 65, 70, 80, 88, B80.

Beech Travel Air

Table with columns: Aircraft/Mfg Model, Engine Model, Part Number. Rows include 95, B95, B95A, D95A, E95.

Beech Duchess

Table with columns: Aircraft/Mfg Model, Engine Model, Part Number. Row: 76.

Beech Bellanca

Table with columns: Aircraft/Mfg Model, Engine Model, Part Number. Rows include 17-31A, 17-31ATC, 17-31A Viking, 17-31ATC Turbo.

Eligibility continued on the next column

Continued from previous column

Cessna Single Engine Models

Table with columns: Aircraft/Mfg Model, Engine Model, Part Number. Rows include All Cessna aircraft modified under Cessna Service bulletin SEB-93-1 or MEB-93-1, 150 A thru M, F150 F thru M, A150I, Fa150, 152, 172 A thru H, 172 I thru M, 172 N, 172 P, F172 D thru H, FR172 E thru K, R172K, 172R, 172RG, 172S, 177, 177A, B, 177RG, 180 A thru J, 180Q, 180- S/N 53087 & up, 182 A thru P, 182Q, R, 182S, A182 K thru N, F182- S/N 67042 & UP, R 182, T182, TR182, FTR182, 185 A THRU D, A185E, F, 185- S/N 03852 & up, 188, 188- S/N 03474 & up, T188- S/N 03474 & up, 205A, C-206, 206 A thru G, 206H, 206- S/N 05030 & up, 206- S/N 05030 & up, U206, T-206H, TU-206, P206, TP-206, 207, T207- S/N 05227 & up, T207, 210, 210- S/N 63373-63375 & up, T210- S/N 63373-63375 & up, P210- S/N 278 & up, T210, P210- S/N 1-277.

Cessna Twin Engine Models

Table with columns: Aircraft/Mfg Model, Engine Model, Part Number. Rows include T303, 310-C thru Q, 310-R, T310-P, Q, R, 320-A, 320-B, C, 320-D, E, F, 335, 336.

Eligibility continued on the next column

Continued from previous column

Table with columns: Aircraft/Mfg Model, Engine Model, Part Number. Rows include 337, P337, P337H, T337H, 340, 340A, 401/402, 402C, 404, 411- S/N 000 thru 0126, 411- S/N 0127 & up, 414, 414A, 421-A, B, 421-C- S/N 1017 thru 1404.

Cirrus Aircraft

Table with columns: Aircraft/Mfg Model, Engine Model, Part Number. Rows include SR20, SR22, SR22T.

Columbia/Lancair

Table with columns: Aircraft/Mfg Model, Engine Model, Part Number. Rows include 300, 350, 400.

Diamond Aircraft

Table with columns: Aircraft/Mfg Model, Engine Model, Part Number. Rows include DA20-C1, DA40-180.

Riley Conversion

Table with columns: Aircraft/Mfg Model, Engine Model, Part Number. Row: 310.

Gulfstream American Single Engine Models

Table with columns: Aircraft/Mfg Model, Engine Model, Part Number. Rows include AA-1, 1A, 1B, 1B Trainer, TR, A1C LYNX, T-CAT, AA-5 Traveler, AA-5A Cheetah, AA-5B Tiger, Cougar.

Commander Single Engine Models

Table with columns: Aircraft/Mfg Model, Engine Model, Part Number. Rows include 112, 112-A, 112-TC, 114.

Commander Twin Engine Models

Table with columns: Aircraft/Mfg Model, Engine Model, Part Number. Rows include 500-B, 500-U, 700.

Hello Aircraft

Table with columns: Aircraft/Mfg Model, Engine Model, Part Number. Row: HELIO 700.

Maule

Table with columns: Aircraft/Mfg Model, Engine Model, Part Number. Rows include M5-180-C, MX7-180, M5-210-C, M5-210-TC, M5-235-C, M6-235, M7-235, MX-7-235.

Mooney Aircraft

Table with columns: Aircraft/Mfg Model, Engine Model, Part Number. Rows include M20, M20-A, B, Mark 21, M20-D Master, M20-C Ranger, M20-G Statesman, M20-E Chaparral, M20-F Executive, M20-J-201, M20-K-231, M20-M-TLS, M20-R, M22 Mustang, M20-K-252 TSE.

Eligibility continued on the next page

Oil Filters eligibility continued from previous page

Continued from previous page

Piper Cub		
Aircraft/Mfg Model	Engine Model	Part Number
PA-18-150	O-320	AA48110-2
Piper Tri-Pacer		
Aircraft/Mfg Model	Engine Model	Part Number
PA-22-150	O-320	AA48110-2
PA-22-160	O-320	AA48110-2
Piper Comanche		
Aircraft/Mfg Model	Engine Model	Part Number
PA-24-180	O-360	AA48110-2
PA-24-250	O-540, IO-540	AA48110-2
PA-24-B, PA-24-C-260	O-540, IO-540	AA48110-2
PA-24 Turbo 260	IO-540	AA48110-2
Piper Pawnee		
Aircraft/Mfg Model	Engine Model	Part Number
PA-25-150	O-320	AA48110-2
PA-25-260	O-540	AA48110-2
PA-36 Brave	6-285B	AA48109-2
PA-36-375 Brave	IO-720-D1C	AA48110-2
PA-36-400 Brave	IO-720-D1CD	AA48104
Piper Cherokee, Cadet		
Aircraft/Mfg Model	Engine Model	Part Number
PA-28-140	O-320	AA48110-2
PA-28-150	O-320	AA48110-2
PA-28-160, 161	O-320	AA48110-2
PA-28-180	O-360	AA48110-2
PA-28-180, 181	O-360-A4M	AA48110-2
PA-28-235	O-540	AA48110-2
PA-28-151	O-320	AA48110-2
Piper Arrow		
Aircraft/Mfg Model	Engine Model	Part Number
PA-28R-180	IO-360, L2A	AA48110-2
PA-28R-180	IO-360-C1CD, L2A	AA48103-2
PA-28R-200 Arrow II	IO-360, L2A	AA48110-2
PA-28R-200 Turbo Arrow III	TSIO-360	AA48108-2
PA-28R-201T	TSIO-360-F1	AA48108-2

Eligibility continued on the next column

Continued from previous column

Piper Dakota		
Aircraft/Mfg Model	Engine Model	Part Number
PA-28-235	O-540-J3A5D	AA48103-2
PA-28-201T	TSIO-360-FB	AA48108-2
Piper Cherokee Six		
Aircraft/Mfg Model	Engine Model	Part Number
PA-32-260	O-540	AA48110-2
PA-32-300	IO-540	AA48110-2
PA-32R-300	IO-540-K1AD	AA48103-2
PA-32R-300	TIO-540-S1AD	AA48103-2
PA-32RT-300T	TIO-540-S1AD	AA48103-2
PA-32-301	IO-540-K1G5D	AA48103-2
PA-32-301	TIO-540-S1AD	AA48103-2
PA-32R-301	IO-540-K1G5D	AA48103-2
PA-32R-301	TIO-540-S1AD	AA48103-2
Piper Tomahawk		
Aircraft/Mfg Model	Engine Model	Part Number
Trainer PA-38-112	O-235-L2C	AA48103-2
Piper Malibu		
Aircraft/Mfg Model	Engine Model	Part Number
PA-46-301-P	O-235-L2C	AA48109
Piper Malibu Mirage		
Aircraft/Mfg Model	Engine Model	Part Number
PA-46-350-P	TIO-540-AE2A	AA48103-2
Piper Apache		
Aircraft/Mfg Model	Engine Model	Part Number
PA-23-150	O-320	AA48110-2
PA-23-160	O-320	AA48110-2
PA-23-235	O-540	AA48110-2
Piper Aztec		
Aircraft/Mfg Model	Engine Model	Part Number
PA-23-250	O-540	AA48110-2
C-PA-23	IO-540	AA48110-2
PA-23-250 Turbo C, D, E, F	IO-540	AA48110-2
PA-23-250 Turbo	TIO-540	AA48110-2

Eligibility continued on the next column

Continued from previous column

Piper Twin Comanche		
Aircraft/Mfg Model	Engine Model	Part Number
PA-30-160 Turbo	IO-320	AA48110-2
PA-39-160	IO-320	AA48110-2
	LIO-320	AA48110-2
PA-39-160 Turbo	IO-320	AA48110-2
	LIO-320	AA48110-2
Piper Navajo		
Aircraft/Mfg Model	Engine Model	Part Number
PA-31-300	IO-540	AA48110-2
PA-31-310 Turbo	TIO-540	AA48110-2
PA-31-325	TIO-540-F2BD	AA48103-2
	LTIO-540-F2BD	AA48103-2
PA-31-350 Cheiftain	TIO-540-J2BD	AA48103-2
	LTIO-540-J2BD	AA48103-2
PA-31P-425	TIO-541	AA48104
PA-31P-350 Mojave	TIO-540-V2AD	AA48104
	LTIO-540-V2AD	AA48104
Piper Seneca		
Aircraft/Mfg Model	Engine Model	Part Number
PA-34	IO-360-C	AA48110-2
	LIO-360-C	AA48110-2
PA-34	IO-360-C1E6D	AA48103-2
	LIO-360-C1E6D	AA48103-2
PA-34-200T Seneca II	TSIO-360-E	AA48108-2
	LTSIO-360-E	AA48108-2
PA-34-220T Seneca III	TSIO-360-KB	AA48108-2
	LTSIO-360-KB	AA48108-2
Piper Aerostar		
Aircraft/Mfg Model	Engine Model	Part Number
PA-60-600, 600A	IO-540-G, K	AA48110-2
PA-60-604, 601B	IO-540-P, S	AA48110-2
PA-60-601P	IO-540-S	AA48110-2
PA-60-602P	IO-540-AA1A5	AA48110-2
Piper Seminole		
Aircraft/Mfg Model	Engine Model	Part Number
PA-44-180	O-360-E1AD	AA48103-2
PA-44-180T	TO-360-E1A6D	AA48103-2
	LTO-360-E1A6D	AA48103-2

EZ Drain Tool

Saves time, prevents drips and spills, and makes cleanup easy!

Oil change is as easy as 1, 2, 3!

1. Slip Easy Drain around filter and secure by turning the butterfly knob until tight against the filter. Ensure that Easy Drain is located at the lowest part of the oil filter can (to allow maximum drainage).
2. Attach hose to the bottom of t-handle and then twist the t-handle to puncture the filter. Back the t-handle out to original position to allow the oil to drain.
3. Drain oil into pan. This process will take awhile. Oil drains slowly, no matter the temperature, because the media pack is saturated with oil.



Works on horizontally or vertically mounted oil filters!

Can Cutter

P/N AA470

Can be used on all aircraft oil filters!
Light weight and durable



Replacement cutter blades
P/N AA004A

Media Cutter

P/N AA471

An efficient and safe way to cut the media pack open and spread the pleats during inspection!



Torque Wrench

P/N AA472

Easy installation or removal of all aviation oil filters



EZ Wrench Extension

P/N AA474

Install the oil filter nut with ease using this extension



FAA-PMA Approved

AeroShell Aircraft Engine Oil

McFarlane has the lowest cost on engine oil!

- Save \$\$\$
- All oil is sold in 6 quarts per case, except Sport Plus 4 (sold in individual liters)

All engine oil is priced at **COST!**
We want to keep you flying!

NEW

Firewall Forward

Choosing the Right Grade of Oil	
Oil Type	P/N
Straight Grade Mineral Oil <ul style="list-style-type: none"> • Aids engine break-in • Prevents cylinders glazing • Clean burning 	AEROSHELL 80 AEROSHELL 100
Single Grade Ashless <ul style="list-style-type: none"> • Improved performance • Reduce maintenance costs • Reduce oil consumption 	AEROSHELL W80 AEROSHELL W100 AEROSHELL W120
Single Grade Ashless Plus <ul style="list-style-type: none"> • Prolonged engine life • Advanced additive for cam protection and rust and corrosion protection 	AEROSHELL W80 PLUS AEROSHELL W100 PLUS
Multigrade Sport Plus <ul style="list-style-type: none"> • Specifically developed for light sport aircraft • Can be used in any climate • Advanced additive for full performance with different fuel types 	AEROSHELL SPORT PLUS 4
Multigrade Ashless <ul style="list-style-type: none"> • High performance in all seasons • Reduced oil and fuel consumption • Advanced additive for cam protection and rust and corrosion protection 	AEROSHELL W15W-50

Save \$\$\$ with AeroShell Multigrade and Plus Oils!

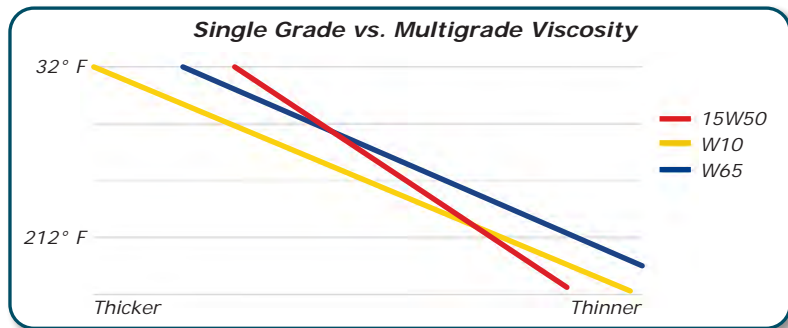
AeroShell single grade plus and multigrade oils comply with AD 80-04-03 and DO NOT require adding the expensive Lycoming LW16702 additive. This saves you almost \$40.00 during oil change!

Comparison example:

AeroShell W80 Plus = \$37.14 (already contains additive)	VS.	AeroShell 80 = \$33.63 LW16702 additive = \$40.00
Total cost = \$37.14		Total cost = \$73.63

AeroShell Plus Oil saves you almost \$40.00!

*Pricing as of 4/1/2021



Phillips Aircraft Engine Oil

P/N PHILLIPS X/C 20W50

Engine oil at **COST!**

Ashless dispersant, multi-grade engine oil for piston engines

- Aids engine break-in
- High performance in all seasons
- Save \$\$\$
- Sold in 12 quarts per case



Pneumatic Garter Filter

P/N ARB3-5-1

- Superior protection against outside contaminants
- Maintains clean pneumatic system
- Protects your vacuum pump

NEW



Pneumatic Filters

FAA-PMA approved

- Uses 0.3-micron filtration elements for superior protection against outside contaminants
- Keeps your system clean and improves the pneumatic system performance
- Save \$\$\$

NEW



For full aircraft eligibility, enter your aircraft model on our website. Scan this code for direct access!



.../products/category/firewall-forward-pneumatic-system-filters/

High Flow Fittings

Specialty designed to reduce pressure drop!

- Improved pneumatic system performance
- Manufactured with light-weight thin wall steel tubing
- Smooth tube bends allow air flow through the fitting
- Straight fittings, or fittings with bends from 45 to 160 degrees are available

NEW

Part Number	Description	Angle
1K1-4-6	1/4 NPT x 3/8 Hose	90°
1K1-4-8	1/4 NPT x 1/2 Hose	90°
1K1-6-8	3/8 NPT x 1/2 Hose	90°
1K1-6-10	3/8 NPT x 5/8 Hose	90°
1K1-8-10	1/2 NPT x 5/8 Hose	90°
1K1-8-12	1/2 NPT x 3/4 Hose	90°
1K8-6-8	3/8 NPT x 1/2 Hose	52°
1K8-6-10	3/8 NPT x 5/8 Hose	52°
1K9-4-6	1/4 NPT x 3/8 Hose	60°
1K9-6-10	3/8 NPT x 5/8 Hose	45°
1K9-8-10	1/2 NPT x 5/8 Hose	45°
1K9-8-12	1/2 NPT x 3/4 Hose	45°
1K10-2-4	1/8 NPT x 1/4 Hose	Straight
1K22-10-10	5/8 x 5/8 Hose Bulkhead	Straight
1K43-10-10	5/8 x 5/8 Hose Bulkhead	90°



For full aircraft eligibility, enter your aircraft model on our website. Scan this code for direct access!



.../products/category/firewall-forward-pneumatic-system-fittings/

Pneumatic Valves

Improved FAA-PMA new or overhauled assemblies!

- Save \$\$\$
- Light-weight and high performing
- Accurately controls the air pressures in your pneumatic system



For full aircraft eligibility, enter your aircraft model on our website. Scan this code for direct access!



.../products/category/firewall-forward-pneumatic-system/

Vacuum Pump Wrench

Get into those really tight spots!

P/N TOOL133 (use for small pumps)

P/N TOOL133-L (use for large pumps)

- Heat treated tool steel
- 1/4" square drive
- Torque wrench friendly



Precision made!

Dry Air Pumps

New and overhauled FAA-PMA assemblies

- Smooth temperature compensation
- Low friction
- Increased service life
- Wear resistant
- Durable and light-weight



Aircraft	Engine	Dry Air Pumps	
		New P/N	Overhauled P/N
Aero Commander / Gulfstream / Rockwell			
500	Lycoming O-540-A	AA3215CC	215CC-OH SERIES
500-A	Continental IO-470-M	AA3216CW	216CW-OH SERIES
500-B, -U	Lycoming IO-540-B, -E	AA3215CC	215CC-OH SERIES
500-S	Lycoming IO-540-E	AA3215CC	216CW-OH SERIES
520	Lycoming GO-435-C	AA3216CW	216CW-OH SERIES
700 Non Deice and Deice	Lycoming TIO-540-R		241CC-OH SERIES
Aerostar / Ted Smith Aerostar / Piper Aerostar			
360, 400	Lycoming O-360-D, -E	AA3215CC	215CC-OH SERIES
PA-60-600, -601 Aerostar	Non Deice 003 thru 0925 except 0750	Lycoming IO-540-G, -P	AA243CC-13
	Deice 003 thru 0925 except 0750 w/o Auto Timer	Lycoming IO-540-G, -P	AA441CC-17
PA-60-601P	Non Deice 0153 thru 0925 except 0750	Lycoming IO-540-G, -P	AA441CC-17
	Deice 0153 thru 0925 except 0750 w/Auto Timer	Lycoming IO-540-P, -A	AA243CC-13
PA-60-602P	Deice 0153 thru 0925 except 0750 w/o Auto Timer	Lycoming IO-540-P, -A	AA441CC-17
	Non Deice 0750, 0861 thru 0932, 60-8265001 thru 60-8365021	Lycoming IO-540-P, -A	AA243CC-13
PA-60-700P	Non Deice 0750, 0861 thru 0932, 60-8265001 thru 60-8365021 w/ or w/o Auto timer		AA441CC-17
	Non Deice 60-8423001 and up	Lycoming TIO-540-U	AA441CC-17 RH
	Deice 60-8423001 and up w/ or w/o Auto Timer	Lycoming LTIO-540-U	AA442CW-20 LH
Aviat Aircraft			
A1C-160	Lycoming O-320-D2A		
A1C-180	Lycoming O-320-A1P	AA3215CC	215CC-OH SERIES
A1C-200	Lycoming O-320-A1D6		
Beechcraft			
19 and 19A	MB1 thru MB480	Lycoming O-320-E	AA3215CC
B19 Musketeer Sport 150	MB481 thru MB865	Lycoming O-320-E	AA3215CC
23 Musketeer	M1 thru M554	Lycoming O-320-D	AA3215CC
A23 and A23A	M555 thru M1094	Continental IO-346-A	AA3216CW
A23-24	MA1 thru MA363	Lycoming IO-360-A	AA3215CC
B23	M1095 thru M1284	Lycoming O-360-B	AA3215CC
C23 Sundowner	M1285-M1979 except M1971		
	M1971, M1980-M2290 w/ Comfort Pack	Lycoming O-360-A	AA3215CC
	M1971, M1980-M2290 w/o Comfort Pack		
	M2291 and up		
24, A24	MA1 thru MA368	Lycoming IO-360-A	AA3215CC
A24R, B24R	MC2 thru MC451 except MC449	Lycoming IO-360-A	AA3215CC
	MC449, MC452 thru MC536 except MC533		
C24R	MC533, MC537 thru MC739 w/ or w/o Comfort Pack	Lycoming IO-360-A	AA3215CC
35-33, 35A33, 35B33	w/ Conversion Kit	Continental IO-470-J,K	AA3216CW
	CD826 thru CD1118, CE1 thru CE179 except CD982	Continental IO-470	AA3216CW
35-C33, 35-C33A	CE1 thru CE179 except CD892 w/ Conversion Kit	Continental IO-470	AA244CW
C33, C33A	CD826 thru CD1118, CE1 thru CE179 except CD982	Continental IO-470-J	AA3216CW
E33	CD1119 thru CD1234, CE180 thru CE289	Continental IO-470-K	AA3216CW
E33A	CD1119 thru CD1234, CE180 thru CE289	Continental IO-520-B	AA3216CW
E33C, F33	CD1235 thru CD1254	Continental IO-470-K, IO550	AA3216CW
F33A	CE290 thru CE631		AA244CW
	CE632 thru CE1439, CE1441 thru CE1456	Continental IO-520-B, -BA, -BB, IO550	AA442CW
	CE1440, CE1457 and up		AA3216CW, AA442CW
	CE1056 thru CE1457 and up w/ Standby		AA3216CW

Eligibility continues on next page

Vacuum Pumps eligibility continued from previous page

Firewall Forward

Aircraft	Engine	Dry Air Pumps	
		New P/N	Overhauled P/N
Beechcraft			
F33C	CJ26 thru CJ179	AA244CW	216CW-OH SERIES
	CJ180 and up CJ156 thru CJ180 and up w/Standby System	AA442CW	442CW-OH SERIES
G33	CD1255 thru CD1304	AA3216CW	216CW-OH SERIES
35, A35	w/Conversion Kit	AA3216CW	216CW-OH SERIES
B35, 35R	w/Conversion Kit	AA3216CW	216CW-OH SERIES
C35, D35, E35, F35	w/Conversion Kit	AA3216CW	216CW-OH SERIES
G35	w/Conversion Kit	AA3216CW	216CW-OH SERIES
H35	w/Conversion Kit	AA3216CW	216CW-OH SERIES
J35, K35, M35	w/Conversion Kit	AA3216CW	216CW-OH SERIES
N35, P35	w/Conversion Kit	AA3216CW	216CW-OH SERIES
S35	D7310 thru D7976	AA3216CW	216CW-OH SERIES
V35		AA244CW	244CW-OH SERIES
V35A, V35A-TC	D7977 thru D9068	AA3216CW	216CW-OH SERIES
V35B, V35B-TC	D9069 thru D9855	AA244CW	244CW-OH SERIES
	D9858 and up	AA3216CW	216CW-OH SERIES
36, A36	E1 thru E196 except E184	AA442CW	442CW-OH SERIES
	E184, E197, E203 thru E451	AA3216CW	216CW-OH SERIES
	E452 thru E2179	AA244CW	244CW-OH SERIES
	E2180 and up w/ Standby System	AA442CW	442CW-OH SERIES
		AA244CW	244CW-OH SERIES
		AA442CW	442CW-OH SERIES
A36TC, B36TC	EA1 thru EA502 and EA504 w/ Standby System	AA3216CW	216CW-OH SERIES
	EA503, EA505 and up w/ Standby System	AA442CW	442CW-OH SERIES
45 (YT-34)		AA3216CW	216CW-OH SERIES
A45 (T-34A), B-45, D45 (T-34B)		AA3216CW	216CW-OH SERIES
50, B50		AA3216CW	216CW-OH SERIES
G50, H50		AA442CW	442CW-OH SERIES
95-55, 95-A55		AA3216CW	216CW-OH SERIES
		AA442CW	442CW-OH SERIES
95-B55 Non Deice	TC1608 - TC2002	AA3216CW	216CW-OH SERIES
	TC2003 - TC2075	AA442CW-12	442CW-12OH SERIES
	TC2076 and up	AA3216CW	216CW-OH SERIES
95-B55 Deice	TC2003 and up	AA442CW-14	442CW-14OH SERIES
95-B55A		AA442CW	442CW-OH SERIES
95-C55, 95-C55A		AA244CW	244CW-OH SERIES
		AA442CW-12	442CW-12OH SERIES
D55	Non Deice TE452 Thru TE767	AA244CW	244CW-OH SERIES
	Deice TE452 Thru TE767	AA442CW-12	442CW-12OH SERIES
		AA442CW-12	442CW-12OH SERIES
D55A	Non Deice	AA3216CW	216CW-OH SERIES
	Deice	AA244CW	244CW-OH SERIES
E55 Non Deice	TE768 - TE937, TE939 - TE942	AA244CW	244CW-OH SERIES
	TE938, TE943 - TE1114 and Up	AA442CW-12	442CW-12OH SERIES
		AA244CW	244CW-OH SERIES
		AA442CW-14	442CW-14OH SERIES
E55 Deice	TE768 - TE942 except TE938	AA442CW-12	442CW-12OH SERIES
	TE938, TE943 - TE1075 and Up	AA442CW-14	442CW-14OH SERIES
55A	Non Deice	AA3216CW,	216CW-OH SERIES,
56TC Non Deice	TC1 thru TG83	AA244CW	244CW-OH SERIES
	TG84 thru TG94	AA442CW	442CW-OH SERIES
56TC Deice	TG52 thru TG94	AA442CW	442CW-OH SERIES
58 Non Deice	TH1 thru TH873	AA244CW	244CW-OH SERIES
	TH874 and up	AA442CW-12	442CW-12OH SERIES
58 Deice	TH1 thru TH852 and Up, except TH1389	AA442CW-12	442CW-12OH SERIES
		AA442CW-14	442CW-14OH SERIES
58P Non Deice	TJ3 thru TJ123 and Up	AA244CW-4	244CW-4OH SERIES
58P Deice	TJ3 thru TJ96 and Up	AA442CW-4	442CW-4OH SERIES
58TC Non Deice	TK1 thru TK150 except TK147	AA244CW-4	244CW-4OH SERIES
58TC Deice		AA442CW-4	442CW-4OH SERIES
60, A60 Non Deice w/o Auto Pilot		AA244CW	244CW-OH SERIES
		AA442CW	442CW-OH SERIES
		AA442CW	442CW-OH SERIES
A60 Deice	P4 thru P246	AA244CW	244CW-OH SERIES
B60 Non Deice	P247 and up Single Instrument	AA442CW	442CW-OH SERIES
	P247 and up Dual Instrument	AA442CW	442CW-OH SERIES
B60 Deice	P247 - P307 Single Instrument	AA442CW	442CW-OH SERIES
	P308 - P509 and up Dual Instrument	AA442CW	442CW-OH SERIES
65-B80 Non Deice or Deice	LD362and up	AA41CC-9	441CC-9OH SERIES
A65 Non Deice or Deice	LC240 - LC271 and Up	AA442CW	442CW-OH SERIES
70 Non Deice or Deice	LB1 and up	AA442CW	442CW-OH SERIES
76	ME1 and up	AA3215CC, LH	215CC-OH SERIES
77		AA3216CW RH	216CW-OH SERIES
		AA3215CC	215CC-OH SERIES
95, B95	WA-1 and up	AA3215CC	215CC-OH SERIES
B95A	TD708 and up	AA3215CC	215CC-OH SERIES
Deice	TD708 and up	AA441CC	441CC-OH SERIES
Bellanca (Aeronca, Alexanderia, American Champion)			
7AC		AA3215CC	215CC-OH SERIES
7GC, 7HC		AA3215CC	215CC-OH SERIES
7GCA, 7GCB, 7KC, 7GCBA		AA3215CC	215CC-OH SERIES

Eligibility continues on next page



Vacuum Pumps eligibility continued from previous page

Eligibility continued from previous page

Aircraft	Engine	Dry Air Pumps	
		New P/N	Overhauled P/N
Beechcraft			
7ECA	Continental O-200-A	AA3215C-9	215CC-90H SERIES
	Lycoming O-235-C	AA3215CC	215CC-OH SERIES
7GCAA, 7GCBC	Lycoming O-320-A, -C	AA3215CC	215CC-OH SERIES
	Lycoming O-235-C	AA3215CC	215CC-OH SERIES
7KCAB, 8KCAB	Lycoming IO-320-E	AA3215CC	215CC-OH SERIES
8GCBC	Lycoming O-360-C	AA3215CC	215CC-OH SERIES
14-19-2	Continental O-470-D	AA3216CW	216CW-OH SERIES
14-19-3	Continental O-470-F	AA3216CW	216CW-OH SERIES
14-19-3A	Continental O-470-F	AA3216CW	216CW-OH SERIES
17-30 Viking	Continental IO-520-D	AA3216CW	216CW-OH SERIES
17-30A Super Viking (75 and up)	Cont IO-520-K	AA3216CW	216CW-OH SERIES
17-31, 17-31TC	Lycoming IO-540-G	AA3215CC AA441CC-7	215CC-OH SERIES 441CC-70H SERIES
17-31A, 17-31ATC	Lycoming IO-540-G	AA3215CC AA441CC-7	215CC-OH SERIES 441CC-70H SERIES
Britten Norman			
BN-2A Islander	Non Deice Deice	Lycoming O-540-E, IO-540-K	AA3216CW AA442CW
Cessna			
120, 140 w/ Lycoming		Lycoming O-235	AA3215CC
150, 150A, B, C	17001 thru 15060087	Continental O-200-A	AA3215CC-9
150D	15060088 thru 15060772	Continental O-200-A	AA3215CC-9
150J,K,L,M*	15069309 thru 15078505	Continental O-200-A	AA3215CC-9
A150K,L,M	A1500001 thru A1500685	Continental O-200-A	AA3215CC-9
F150K,L,M	F15000530 thru F15001339	Continental O-200-A	AA3215CC-9
FA150K,L,M	FA1500001 thru FA1500312	Continental O-200-A	AA3215CC-9
152	15279404 and up Electric Standby 15285940 and up	Lycoming O-235	AA3215CC AA3216CW Standby
A152	A1520735 and up Electric Standby A1521028 and up	Lycoming O-235	AA3215CC AA3216CW Standby
F152	F15201429 thru F15201808	Lycoming O-235	AA3215CC
FA152	FA15200337 and up	Lycoming O-235	AA3215CC
172 w/pully driven pump	F17249545 thru 17251822 17251823 thru 17256512	Continental O-300-A, -B Continental O-300-C	AA3215CC AA3215CC-9
172A,B,C,D,E,F,G,H	All	Continental O-300-D	AA3215CC
172 I thru P	17256513 thru 17257164 17257165 thru 17259760 17259761 thru 17265685 and up	Lycoming O-320-E Lycoming O-320-E Lycoming O-320E, -H	AA3215CC AA3215CC-9 AA3215CC
172Q	17276260 and up Electric Standby	Lycoming O-360-A	AA3215CC AA3216CW Standby
172R,S	17280001 and up	Lycoming IO-360-L	AA3215CC Upper AA3216CW Lower
172RG		Lycoming O-360-F	AA3215CC
F172	F17200805 thru F17201234 F17201235 thru F17201385 and Up F17202234 and up Electric Standby	Continental O-300-D Lycoming O-320-E Lycoming O-320-D	AA3215CC-9 AA3215CC AA3215CC
FR172K (Hawk XP)	FR17200591 thru FR17200675	RR, Continental O-300-K, -KB	AA3215CC
P172, P172D	P17257120 thru P17257188	Continental GO-300-E	AA3216CW
R172E and R172F Hawk XP		Continental IO-360-D	AA3215CC
R172H Hawk XP		Continental IO-360-C, -D, -H	AA3215CC
R172J Hawk XP		Continental IO-360-H, -HB	AA3215CC
R172K	R1722000 thru R1723454	Continental IO-360-K, -KB	AA3215CC
175, 175A, B, C Skylark		Continental GO-300A, -C, -D, -E	AA3215CC
177	17700001 thru 17701164 17701165 thru 17701530 17701531 thru 17702752	Lycoming O-320-E Lycoming O-360-A Lycoming O-360-A	AA3215CC AA3215CC-9 AA3215CC
177RG	All	Lycoming IO-360-A	AA3215CC
F177RG	F177RG001 thru F177RG0177	Lycoming IO-360-A	AA3215CC
180, 180A thru F	w/ Conversion Kit	Continental O-470-L, -K, -R	AA3216CW
180G,H,J	18051313 thru 18052384	Continental O-470-A,-K,-L,-R,-S	AA3216CW
182 A thru G	w/ Conversion Kit	Continental O-470-L, -R, -S, -U	AA3216CW
182N, P	18260446 thru 18265176 and Up Electric Driven Pump 18268435 and up	Continental O-470-R, -S Continental O-470-R, -S	AA3216CW AA3216CW
182Q thru R		Continental O-470-U	AA3216CW
182S, 182T, T182T		Lycoming IO-540-A	AA3215CC Upper AA3216CW Lower
F182	F18200001 thru F18200169	Continental O-470-S,-U	AA3216CW
FR182	F18200001 thru F18200070	Lycoming O-540-J	AA3215CC
R182, TR182	R18200001 and up Electric Drive Pump R18202000 and up	Lycoming O-540-J	AA3215CC AA3216CW
T182	18267716 thru 18268434 18268435 and up Electric Driven Pump 18268435 and Up	Lycoming O-540-L	AA3215CC AA3216CW AA3216CW
185A, B	w/ Conversion Kit	Continental IO-470-F	AA3216CW
185C,D,E	185-0654 thru 18502310	Continental IO-470-F, IO-520-D	AA3216CW
A185E, F		Continental IO-520-D	AA3216CW
188, 188A, 188B Ag Wagon		Continental O-470-R, -S	AA3216CW
A188, A188A, A188B		Continental IO-520-D	AA3216CW
205, 205A		Continental IO-470-S	AA3216CW
206, U206, U206A, P206, P206A thru E		Continental IO-520-A	AA3216CW
206H	20680001 and up	Lycoming IO-540-A	AA3215CC Upper AA3216CW Lower
U206B thru G		Continental IO-520-F	AA3216CW
U206, TU206 Single Pump	20602200 thru U20606440 and Up	Continental IO-520-FC, TSIO-520-C, M	AA3216CW

Eligibility continues on next page


Vacuum Pumps eligibility continued from previous page

Eligibility continued from previous page

Firewall Forward

Aircraft Cessna	Engine	Dry Air Pumps	
		New P/N	Overhauled P/N
U206, TU206 Dual Pump	U20606700 and up	Continental IO-520-A, -F, TSIO-520-C, -M	AA3216CW (RH) 216CW-OH SERIES
U206, TU206	Electric Standby U20606847	Continental IO-520-A, -F, TSIO-520-C, -M	AA3216CW 216CW-OH SERIES
TU206A thru E, TP206A thru E		Continental TSIO-520-C	AA3216CW 216CW-OH SERIES
TU206F		Continental TSIO-520-C	AA244CW 244CW-OH SERIES
207,T207	All	Continental IO-520-F, TSIO-520-G, -M	AA3216CW 216CW-OH SERIES
210 Non Deice, Single Pump	21059810, 21059819 thru 21064898 and up	Continental IO-470-E, -S, IO-520-L	AA3216CW 216CW-OH SERIES
210 Non Deice, Dual Pump w/ Conversion Kit	21064136 thru 21064535 w/ SK210-103 Mod 21064536 thru 21064772	Continental IO-470-E, -S, IO-520-A, -L	AA3216CW 216CW-OH SERIES
210 Electric System w/ Conversion Kit	21064898 and up	Continental IO-470-E, -S, IO-520-A, -L	AA3216CW 216CW-OH SERIES
210 Deice, Single Pump w/ Conversion Kit	21059840, 21059819 thru 21064135	Continental IO-470-E, -S, IO-520-A, -L	AA442CW-8 442CW-8OH SERIES
210 Deice, Dual Pump	21064136 thru 21064535 w/ SK210-103 Mod.	Continental IO-520-A, -J, -L	AA3216CW Left 216CW-OH SERIES
	21064536 thru 21064772		AA442CW-8 Right 442CW-8OH SERIES
	21064773 and up		AA3216CW Left 216CW-OH SERIES
T210 Non Deice, Single Pump	21059810, 21059819 thru 210664536 and up	Continental TSIO-520-C, -H, -R	AA3216CW 216CW-OH SERIES
Non Deice Dual Pump	21064136 thru 21064535 w/ SK210-103 Mod. 21064536 thru 21064772	Continental TSIO-520-C, -H, -R	AA3216CW 216CW-OH SERIES
T210 w/ Electric Driven System	21064898 and up	Continental TSIO-520-C, -H, -R	AA3216CW 216CW-OH SERIES
T210 Deice, Single Pump	21059810, 21059819 thru 21064135	Continental TSIO-520-C, -H, -R	AA442CW-8 442CW-8OH SERIES
T210 Deice, Dual Pump	21064136 thru 21064535 w/ SK210-103 Mod.	Continental TSIO-520-C, -H, -R	AA3216CW Left 216CW-OH SERIES
	21064536 thru 21064897		AA442CW-8 Right 442CW-8OH SERIES
	21064898 and up		AA3216CW Left 216CW-OH SERIES
P210 Non Deice, Single Pump	P21000001 thru 21000812 and up	Continental TSIO-520-P	AA3216CW 216CW-OH SERIES
P210 Non Deice, Dual Pumps	P21000761 thru P21000835 and up	Continental TSIO-520-P	AA3216CW 216CW-OH SERIES
P210 Electric Driven Pump	P21000835 and up	Continental TSIO-520-P	AA3216CW 216CW-OH SERIES
P210 Deice, Single Pump	P21000001 thru 21000760 w/ SK210-105 & 103 Mod.	Continental TSIO-520-P	AA442CW-8 442CW-8OH SERIES
P210 Deice, Dual Pump	P21000001 thru 21000760 w/ SK210-105 & -103 Mod.	Continental TSIO-520-P	AA3216CW Left 216CW-OH SERIES
T303	Non Deice T30300001 and up	Continental TSIO-520-AE	AA3216CW Left 216CW-OH SERIES
	Deice T30300001 and up	Continental LTSIO-520-AE	AA3215CC Right 215CC-OH SERIES
		Continental TSIO-520-AE	AA442CW-8 Left 442CW-8OH SERIES
305A thru F		Continental LTSIO-520-AE	AA441CC-3 Right 441CC-3OH SERIES
310		Continental O-470	AA3216CW 216CW-OH SERIES
310A, 310B		Continental O-470-B, -M	AA3216CW 216CW-OH SERIES
310C thru H and J	Non Deice	Continental O-470-D, -U	AA3216CW, AA242CW 216CW-OH SERIES, 244CW-OH SERIES
	Deice		AA442CW 442CW-OH SERIES
E310H, E310J	Non Deice	Continental IO-470-D, -U	AA3216CW, AA242CW 216CW-OH SERIES, 244CW-OH SERIES
310I, 310J	Deice	Continental IO-470-U	AA442CW 442CW-OH SERIES
	Non Deice w/ Conversion Kit		AA3216CW, AA242CW 216CW-OH SERIES, 244CW-OH SERIES
310K	Non Deice	Continental IO-470-V, -VO	AA442CW 442CW-OH SERIES
	Deice		AA3216CW, AA242CW 216CW-OH SERIES, 244CW-OH SERIES
			AA442CW 442CW-OH SERIES
310L w/ Auto Pilot	310L0001 and up	Continental IO-470-V, -VO	AA244CW 244CW-OH SERIES
310N w/ Auto Pilot	310N0001 and up	Continental IO-470-VO	AA244CW 244CW-OH SERIES
310P w/o Auto Pilot	w/ Conversion Kit 310P0001 and up	Continental IO-470-VO	AA3216CW 216CW-OH SERIES
310P w/ Auto Pilot	310P0001 and up	Continental IO-470-VO	AA244CW 244CW-OH SERIES
310Q, w/o Auto Pilot	w/ Conversion Kit 310Q0953 and up	Continental IO-470-VO	AA3216CW 216CW-OH SERIES
310Q, w/ Auto Pilot	w/ Conversion Kit 310Q0001 thru 310Q0460 and Up	Continental IO-470-VO	AA244CW 244CW-OH SERIES
310R Non Deice	310R0001 and up	Continental IO-520-M, -MB	AA3216CW 216CW-OH SERIES
310R Deice	310R0001 and up	Continental IO-520-M, -MB	AA442CW 442CW-OH SERIES
T310P,Q,R	w/ Conversion Kit	Continental TSIO-520-B, -BB	AA244CW 244CW-OH SERIES
	Deice	Continental TSIO-520-B, -BB	AA442CW 442CW-OH SERIES
320, -1, -A, -B	w/ Auto Pilot	Continental TSIO-470-B, -C	AA3216CW 216CW-OH SERIES
	w/o Auto Pilot, w/ Conversion Kit	Continental TSIO-470-B, -C	AA244CW 244CW-OH SERIES
	w/ Deice, w/ Conversion Kit	Continental TSIO-470-B, -C	AA442CW 442CW-OH SERIES
320	w/o Auto Pilot w/ Conversion Kit	Continental TSIO-470-D	AA3216CW 216CW-OH SERIES
	w/ Auto Pilot	Continental TSIO-470-D	AA244CW 244CW-OH SERIES
	Deice	Continental TSIO-470-D	AA442CW 442CW-OH SERIES
320D thru F	w/ Conversion Kit	Continental TSIO-520-B, -BB	AA244CW 244CW-OH SERIES
	Deice w/ Conversion Kit	Continental TSIO-520-B, -BB	AA442CW 442CW-OH SERIES
321		Continental O-470-2	AA3216CW 216CW-OH SERIES
335	Non Deice 3350001 thru 3350065	Continental TSIO-520-EB	AA3216CW 216CW-OH SERIES
	Deice 3350001 thru 3350065	Continental TSIO-520-EB	AA442CW 442CW-OH SERIES
336	3360001 thru 3360195	Continental IO-360-A	AA3215CC 215CC-OH SERIES
	3370001 thru 3370963		AA3215CC 215CC-OH SERIES
337 Non Deice	3370964 thru 3371193	Continental IO-360-C, -D, -DB	AA3215CC-9 215CC-9OH SERIES
	3371194 thru 33701611		AA3215CC 215CC-OH SERIES
	33701490 and up		AA441CC 441CC-OH SERIES
F337 Non Deice	F33700001 thru F33700086	Continental IO-360-C, -D, -DB	AA3215CC 215CC-OH SERIES
F337 Deice	F33700056 and up	Continental IO-360-C, -D, -DB	AA441CC 441CC-OH SERIES
FT337 Non Deice	FP3370001 thru FP3370016 and up	Continental IO-360-C, -D, -DB	AA3215CC 215CC-OH SERIES
FT337 Deice	FP3370001 and up	Continental IO-360-D, -DB	AA441CC 441CC-OH SERIES

Eligibility continues on next page



Vacuum Pumps eligibility continued from previous page

Table with columns: Aircraft, Engine, New P/N, Dry Air Pumps (Overhauled P/N). Rows include various aircraft models like Cessna, Cirrus, Mooney, and Lycoming.

Eligibility continues on next page

Vacuum Pumps eligibility continued from previous page

Eligibility continued from previous page

Firewall Forward

Aircraft	Engine	Dry Air Pumps	
		New P/N	Overhauled P/N
Mooney			
M20K w/ Standby System	25-1001 and up	AA3216CW	216CW-OH SERIES
M20M		AA243CC-15	243CC-15OH SERIES
M20R		AA244CW	244CW-OH SERIES
M22	670001 thru 670004 and 680001 and up	AA3216CW	216CW-OH SERIES
Navion			
Model G		AA3216CW	216CW-OH SERIES
Model H		AA3216CW	216CW-OH SERIES
Piaggio			
P.136-L		AA3216CW	216CW-OH SERIES
Piper			
J5C		AA3215CC	215CC-OH SERIES
PA-12, PA-12S		AA3215CC	215CC-OH SERIES
PA-14		AA3215CC	215CC-OH SERIES
PA-16, -16S		AA3215CC	215CC-OH SERIES
PA-18	18-8020 thru 18-7609013 and Up, 189001 and up	AA3215CC	215CC-OH SERIES
PA-20-115, PA-20S-115		AA3215CC	215CC-OH SERIES
PA-20, -20S, -20-135, -20S-135		AA3215CC	215CC-OH SERIES
PA-22		AA3215CC	215CC-OH SERIES
PA-22-108	22-8000 thru 22-8710 and up	AA3215CC	215CC-OH SERIES
PA-22-135, PA-22S-135		AA3215CC	215CC-OH SERIES
PA-22-150, PA-22S-150		AA3215CC	215CC-OH SERIES
PA-22-160, PA-22S-160		AA3215CC	215CC-OH SERIES
PA-23-160H	23-2395 and up	AA3215CC	215CC-OH SERIES
PA-23-235 Non Deice	27-505 thru 27-622	AA3215CC	215CC-OH SERIES
PA-23-235 Deice	27-549 thru 27-622	AA441CC-7	441CC-7OH SERIES
PA-23-250 Non Deice, Single Inst.	27-2000 thru 27-7654001	AA3215CC	215CC-OH SERIES
PA-23-250 Non Deice, Dual Inst.	27-7554001 and up	AA441CC-7	441CC-7OH SERIES
PA23-250 Deice	27-4510 thru 27-7654001 27-7554112 thru 27-7554168	AA441CC-7	441CC-7OH SERIES
PA-24-180	24-2176, 24-2177, 24-2179 thru 24-2184 24-2186 thru 24-2202, 24-2204 thru 24-2218 24-2222, 24-2999 thru 24-2587 except 24-2563 24-2563, 24-2588 and up	AA3215CC	215CC-OH SERIES
PA-24-250	24-2563, 24-2588 and up	AA3215CC	215CC-OH SERIES
PA-24-260	24-3842, 24-4000 and up	AA3215CC	215CC-OH SERIES
PA-24-400	26-2 and up	AA3215CC	215CC-OH SERIES
PA-25		AA3215CC	215CC-OH SERIES
PA-25-235, -260		AA3215CC	215CC-OH SERIES
PA-28-140	28-20002 thru 28-26958, 28-7125001 thru 28-7425454 28-7585001 and up	AA3215CC	215CC-OH SERIES
PA-28-150	28-1 thru 28-4377	AA3215CC	215CC-OH SERIES
PA-28-151	28-7415001 thru 28-7415713 28-7515001 thru 28-7715314	AA3215CC	215CC-OH SERIES
PA-28-160	28-1 thru 28-4377	AA3215CC	215CC-OH SERIES
PA-28-161	28-7716001 and up 2841001 and up w/ Aux. Pump System	AA3215CC	215CC-OH SERIES
PA-28-180, PA-28S-180	28-671 thru 28-5869, 28-7105001 thru 28-7406290 28-7505001 thru 28-7505261	AA3215CC	215CC-OH SERIES
PA-28R-180	28R-30005 thru 28R31279, 28R7130001 thru 7130019 28R-75350001 and up	AA3215CC	215CC-OH SERIES
PA-28-181	28-7690001 and up, 28-90206 and up 28R-30482, 28R-35001 thru 28R-35830	AA3215CC	215CC-OH SERIES
PA-28R-200	28R-7135001 thru 28R-7475331 28R-7535001 and up	AA3215CC	215CC-OH SERIES
PA-28-201T	28-7921001 thru 28-7921091	AA3215CC	215CC-OH SERIES
PA-28R-201	28R-7737002 thru 28R-7837317 28R-7837318 and up, 2837001 and up Aux. Pump	AA3215CC	215CC-OH SERIES
PA-28R-201T	28R-7703001 thru 28R-7803374 and up 2803001 and up Aux. Pump	AA3215CC	215CC-OH SERIES
PA-28RT-201	28RT-7918001 thru 28R-8218026 28RT-8218027 thru 28R-8218039 28R-7931001 and up	AA3215CC	215CC-OH SERIES
PA-28-235	28-10003 thru 28-11039	AA3215CC	215CC-OH SERIES
PA-28-236	28-7911001 and up	AA3215CC	215CC-OH SERIES
PA-28-236 w/ Aux. Pump System	28-7911001 and up	AA3215CC	215CC-OH SERIES
PA-30	30-2 and up C/R Option Left Engine	AA3215CC	215CC-OH SERIES
PA-31 Deice	C/R Option Right Engine w Wing Locker 31-7812098 and up	AA441CC-7 LH, AA442CW-6 RH	441CC-7OH SERIES, 442CW-6OH SERIES
PA-31-300 Non Turbo	Non Deice, Single Instrument	AA3215CC	215CC-OH SERIES
PA-31-300	Non Deice, Dual instruments 31-5 thru 31-7612018	AA441CC-7	441CC-7OH SERIES
PA-31-300	Deice	AA441CC-7	441CC-7OH SERIES
PA-31-325 Non Deice	Single Instrument 31-5 thru 31-7612019 and Up	AA3215CC Left AA3216CW Right	215CC-OH SERIES 216CW-OH SERIES
PA-31-325 Non Deice	Dual Instrument 31-5 thru 31-7612019 and Up	AA441CC-7 Left AA442CW-6 Right	441CC-7OH SERIES 442CW-6OH SERIES
PA-31-325 Deice	31-5 thru 31-7612019 and up	AA441CC-7 Left AA442CW-6 Right	441CC-7OH SERIES 442CW-6OH SERIES
PA-31-350 Non Deice	Single Instruments 31-5001 thru 31-7652124 and up Dual Instruments 31-5001 thru 31-7652124 and up	AA3215CC Left AA3216CW Right AA3215CC Left AA3216CW Right	215CC-OH SERIES 216CW-OH SERIES 215CC-OH SERIES 216CW-OH SERIES

Eligibility continues on next page

Vacuum Pumps eligibility continued from previous page

Aircraft Piper	Engine	Dry Air Pumps		
		New P/N	Overhauled P/N	
PA-31-350 Deice	31-5001 thru 31-7652123	Lycoming TIO-540-J	AA441CC-7 Left	441CC-70H SERIES
	31-7652124 thru 31-7952250 w/ Kit 764016 or 764017	Lycoming LTIO-540-J	AA442CW-6 Right	442CW-60H SERIES
		Lycoming TIO-540-J	AA441CC-7 Left	441CC-70H SERIES
	31-8052001 and up	Lycoming LTIO-540-J	AA442CW-6 Right	442CW-60H SERIES
PA-31P-350 Non Deice	31P-8414001 and up	Lycoming TIO-540-V	AA441CC Left	441CC-OH SERIES
		Lycoming LTIO-540-V	AA442CW Right	442CW-OH SERIES
PA-31P-350 Deice	31P-841400 and up	Lycoming TIO-540-V	AA441CC-7 Left	441CC-70H SERIES
PA-32-260	32-1 - 32-7400061, 32-7500001 thru 32-7800008	Lycoming LTIO-540-V	AA442CW-6 Right	442CW-60H SERIES
PA-32-300	32-40000 thru 32-744182, 32-7540001 thru 32-7940282	Lycoming IO-540-K	AA3215CC	215CC-OH SERIES
PA-32R-300	32R-7680001 thru 32R-7880088	Lycoming IO-540-K	AA3215CC	215CC-OH SERIES
PA-32RT-300	32R-7885001 thru 32R-7985125	Lycoming IO-540-K	AA3215CC	215CC-OH SERIES
PA-32RT-300T	32R-7887001 thru 32R-7987146	Lycoming TIO-540-S	AA3215CC	215CC-OH SERIES
PA-32-301	32-8006001 and up	Lycoming IO-540-K	AA3215CC	215CC-OH SERIES
PA-32-301T	32-8024001 and up	Lycoming TIO-540-S	AA3215CC	215CC-OH SERIES
PA-32R-301 Non Deice	32R-8013001 and up	Lycoming IO-540-K	AA3215CC	215CC-OH SERIES
PA-32R-301T Non Deice	32R-8129001 and up	Lycoming TIO-540-S	AA3215CC	215CC-OH SERIES
PA-32R-301T Deice	32R-8129012 and up	Lycoming TIO-540-S	AA442CW-6	442CW-60H SERIES
PA-34-200 Non Deice or Deice	34-7250001 thru 34-7450220	Lycoming IO-360-C	AA3215CC, Left	215CC-OH SERIES
		Lycoming LIO-360-C	AA3216CW, Right	216CW-OH SERIES
PA-34-200T Non Deice	34-7570001 thru 34-7870492	Continental TSIO-360-E	AA3215CC, Left	215CC-OH SERIES
		Continental LTSIO-360-E	AA3216CW, Right	216CW-OH SERIES
	34-7970001 thru 34-8170092	Continental TSIO-360-E	AA3215CC, Left	215CC-OH SERIES
PA-34-200T Deice	Single Instrument 34-7570001 thru 34-8170092	Continental TSIO-360-E	AA441CC-7, Left	441CC-70H SERIES
		Continental LTSIO-360-E	AA442CW-6, Right	442CW-60H SERIES
	Dual Instruments 34-7570001 thru 34-8170092	Continental TSIO-360-E	AA441CC-7, Left	441CC-70H SERIES
		Continental LTSIO-360-E	AA442CW-6, Right	442CW-60H SERIES
PA-34-220T Non Deice	34-8133001 and up	Continental TSIO-360-K	AA3215CC, Left	215CC-OH SERIES
		Continental LTSIO-360-K	AA3216CW, Right	216CW-OH SERIES
PA-34-220T Deice 14 Volt	34-8133001 thru 34-448001	Continental TSIO-360-K	AA441CC-7, Left	441CC-70H SERIES
		Continental LTSIO-360-K	AA442CW-6, Right	442CW-60H SERIES
PA-34-220T Deice 28 Volt	34-448002 and up	Continental TSIO-360-K	AA441CC-7, Left	441CC-70H SERIES
		Continental LTSIO-360-K	AA442CW-6, Right	442CW-60H SERIES
PA-36-300		Lycoming IO-540-K	AA3215CC	215CC-OH SERIES
PA-38-112		Lycoming O-235-L2C	AA3215CC	215CC-OH SERIES
PA-39	C/R 39-1 thru 39-155	Lycoming IO-320-B	AA3215CC, Left	215CC-OH SERIES
		Lycoming LIO-320-B	AA3216CW, Right	216CW-OH SERIES
PA-40 Non Deice		Lycoming IO-320-B	AA3215CC, Left	215CC-OH SERIES
		Lycoming LIO-320-B	AA3216CW, Right	216CW-OH SERIES
PA-44-180 Non Deice	44-7995001 thru 44-8195026, 44-95001 and up	Lycoming O-360-A, -E	AA3215CC, Left	215CC-OH SERIES
		Lycoming LO-360-E	AA3216CW, Right	216CW-OH SERIES
PA-44-180T Non Deice	44-8107001 thru 44-8207020	Lycoming TO-360-E	AA3215CC, Left	215CC-OH SERIES
		Lycoming LTO-360-E	AA3216CW, Right	216CW-OH SERIES
PA-44-180T Deice	44-8107033, 44-8207007 and up	Lycoming TO-360-E	AA441CC-7, Left	441CC-70H SERIES
		Lycoming LTO-360-E	AA442CW-6, Right	442CW-60H SERIES
PA-46-310P Non Deice, Single Pump System	46-8408001 thru 46-8608067, 46-08001 thru 46-08140	Continental TSIO-520-B	AA3216CW	216CW-OH SERIES
		Continental TSIO-520-B	AA442CW-6, Left	442CW-60H SERIES
PA-46-310P Non Deice or Deice w/ Standby System	46-8408001 thru 46-8608067, 46-08001 thru 46-08140	Continental TSIO-520-B	AA442CW-6, Left	442CW-60H SERIES
		Continental TSIO-520-B	AA442CW-6, Left	442CW-60H SERIES
PA-46-350 Non Deice, Single Pump	46-22001 and up	Lycoming TIO-540-AE	AA3216CW	216CW-OH SERIES
PA-46-350P Non-Deice, Dual Pump	46-22001 and up	Lycoming TIO-540-AE	AA441CC-17, Upper	441CC-170H SERIES
		Lycoming TIO-540-AE	AA442CW-6, Lower	442CW-60H SERIES
PA-46-350P Deice	46-22001 and up	Lycoming TIO-540-AE	AA441CC-17, Upper	441CC-170H SERIES
		Lycoming TIO-540-AE	AA442CW-6, Lower	442CW-60H SERIES
Rockwell / Gulfstream / Commander				
100		Lycoming O-320-A	AA3215CC	215CC-OH SERIES
112	1 thru 125	Lycoming O-360-C	AA3215CC	215CC-OH SERIES
112A	126 thru 499	Lycoming IO-360-C	AA3215CC	215CC-OH SERIES
112B	500 and up	Lycoming IO-360-C	AA3215CC	215CC-OH SERIES
112TC	13000 thru 13149	Lycoming TO-360-C	AA3215CC	215CC-OH SERIES
112TCA	13150 and up	Lycoming TO-360-C	AA3215CC	215CC-OH SERIES
114, 114A		Lycoming IO-540-T	AA3215CC	215CC-OH SERIES
100-180	5001 and up	Lycoming O-360-A2F	AA3215CC	215CC-OH SERIES
Socata / Aerospatiale / Eads / Daher				
MS88B		Continental O-200-A	AA3215CC-9	215CC-90H SERIES
MS892A-150 & E-150		Lycoming O-320-E	AA3215CC	215CC-OH SERIES
MS893A, E		Lycoming O-360-A	AA3215CC	215CC-OH SERIES
MS894A, E		Franklin 6A-350-C	AA3216CW	216CW-OH SERIES
100S		Continental O-200-A	AA3215CC-9	215CC-90H SERIES
150T, ST		Lycoming O-320-E	AA3215CC	215CC-OH SERIES
235E		Lycoming O-540-B	AA3215CC	215CC-OH SERIES
TB9	001 thru 822, 850 thru 947 except 888	Lycoming O-320-D	AA3215CC	215CC-OH SERIES
TB10	001 thru 822, 850 thru 947 except 888	Lycoming O-360-A	AA3215CC	215CC-OH SERIES
TB20	001 thru 822, 850 thru 947 except 888	Lycoming O-540-C	AA3215CC	215CC-OH SERIES
TB21	948 and up	Lycoming TIO-540-A	AA241CC-13	241CC-130H SERIES
Siai - Marchetti				
S.205-18/F, /R		Lycoming O-360-A	AA3215CC	215CC-OH SERIES
S.205-20/F, /R		Lycoming O-360-A	AA3215CC	215CC-OH SERIES
S.205-22/R		Franklin 6A-350-C	AA3216CW	216CW-OH SERIES
S.208/-A, F.260/-B/-C		Lycoming O-540-E	AA3215CC	215CC-OH SERIES
S.210		Lycoming TIO-360-A	AA3215CC	215CC-OH SERIES
Vulcanair / Partenavia				
P68, P68B, P68C Deice		Lycoming IO-360-A	AA3215CC	215CC-OH SERIES
		Lycoming IO-360-A	AA441CC-23	441CC-230H SERIES
P68C-TC Deice		Lycoming IO-360-C	AA3215CC	215CC-OH SERIES
		Lycoming IO-360-C	AA441CC-23	441CC-230H SERIES

Firewall Forward

FAA-PMA Approved

Firewall Forward

Fuel Pumps

FAA-PMA for Lycoming or Continental engines

- Save \$\$\$
- High quality and long service life
- Fuel Pumps for aircraft equipped with RAJAY turbochargers are available!

NEW



For full aircraft eligibility, enter your aircraft model on our website. Scan this code for direct access!



.../products/category/firewall-forward-pneumatic-system/

Flow Divider and Nozzles

Available separately or in kits

- Save \$\$\$ with the full kits
- In stock, ready to ship!

NEW



For full aircraft eligibility, enter your aircraft model on our website. Scan this code for direct access!

.../products/category/fuel-injection-nozzles/

Fuel Servos

FAA-PMA fuel injection systems for certified and experimental aircraft

- Peak performance
- Dynamically tested to verify fuel flow from idle to full throttle

NEW

In stock, ready to ship!



For full aircraft eligibility, enter your aircraft model on our website. Scan this code for direct access!



.../products/category/firewall-forward-fuel-injection-servos/

Carburetor Assemblies from Marvel Schebler

New, rebuilt, and overhauled Carburetors!

- Advanced inspections and flow test procedures to ensure precision performance
- Innovative, fuel-proof epoxy floats — will not absorb fuel!



NEW

Engine Model	Marvel-Schebler P/N	McFarlane P/N			Deluxe Repair Kit	Engine Mfg P/N	Carburetor Model
		New	Rebuilt	Overhauled			
Continental (Teledyne) Motors							
C-115 or C-125 Series where P/N 40366 is installed	10-2848			10-2848-H	286-1629	40366	MA-3SPA™
O-470 Series where 538872 is installed	10-3859-1	10-3859-1	10-3859-1-M	10-3859-1-H	286-1654	538872	MA-4-5™
O-470J	10-3965-12			10-3965-12-H		538872	MA-4-5™
	10-4115-1			10-4115-1-H		627143	MA-3SPA™
GO-300 Series where 626789 is installed	10-4171		10-4171-M	10-4171-H	286-1660	626789	MA-4-5™
A-65 or A-75 Series where P/N 627365 is installed	10-4233	10-4233	10-4233-M	10-4233-H	286-1632	627365	MA-3PA™
A-65 or A-75 Series where P/N 627366 is installed	10-4240-1	10-4240-1	10-4240-1-M	10-4240-1-H	286-2036	627366	MA-3SPA™
C-90 Series where P/N 627367 is installed	10-4252-2	10-4252-2	10-4252-2-M	10-4252-2-H	286-2037	627367	MA-3SPA™
	10-4457			10-4457-H			MA-3SPA™
C-90 Series where P/N 629175 is installed	10-4457-1	10-4457-1	10-4457-1-M		286-2038	629175	MA-3SPA™
O-470 Series where 64113 is installed	10-4893-1	10-4893-1	10-4893-1-M	10-4893-1-H	286-1669	641139	MA-4-5™
O-200 Series where 633028 is installed	10-4894-1	10-4894-1	10-4894-1-M	10-4894-1-H	286-2025	633028	MA-3SPA™
C-145 or O-300 Series where P/N 633029 is installed	10-4895-1	10-4895-1	10-4895-1-M	10-4895-1-H	286-2035	633029	MA-3SPA™
C-90 Series where P/N 637835 is installed	10-5282	10-5082	10-5082-M	10-5082-H	286-1638	637835	MA-3SPA™
O-470 Series where P/N 646232 is installed	10-5284	10-5284	10-5284-M	10-5284-H	286-1790	646232	MA-4-5™
O-470 Series where P/N 10-6050 is installed with STC 1153AT	10-6050	10-6050	10-6050-M	10-6050-H			MA-4-5™
Experimental							
	5-3678-32	5-3678-32		5-3678-32-H			
	5-3878	5-3878					
	5-4164-1	5-4164-1					
	5-5217	5-5217			286-2013		
	5-6200	5-6200		5-6200-H			
Franklin							
6V-350 Series	10-4809			10-4809-H		20555	MA-5™
6A-350 Series	10-4865			10-4865-H	286-1664	20671	MA-5™
Textron Lycoming Engines							
O-235-C1, C1B, C2A, C2B, C2C, H2C, L2C	10-3103-1			10-3103-1-H	286-1650	61547	MA-3A™
O-290-A, AP, C, (O-290-3 type),-CP,-D, (O-290-11 type), D2, D2A, D2B, D2C	10-3346-1			10-3346-1-H	286-1628	62289	MA-3SPA™
O-290-A, AP, C, (O-290-3 type),CP, D, (O-290-11 type),D2, D2A, D2B, D2C	10-3565-1			10-3565-1-H	286-1630	62830	MA-3SPA™
O-320-A1A, A2A, A2B, A3A, B1A, B2A	10-3678-12	10-3678-12	10-3678-12-M	10-3678-12-H	286-1624	69250	MA-4SPA™
O-320-A1B, A2A, A2B, A2C, A2D, A3B, A3C, B1B, B2B, B2C, B3B, B3C, D1A, D1AD, D1C, D2A, D2B, D2C, E1A, E2A, E2B, E2C, E3D	10-3678-32	10-3678-32			286-1623	72394	MA-4SPA™
VO-435-A1B, A1C, A1D	10-3856-12	10-3856-12	10-3856-12-M	10-3856-12-H	286-1662	71685	MA-4-5™
O-360-A1A, A1AD, A1D, A1F, A1F6D, A1LD, A2A, A2D, A2E, A2F, A3A, A3AD, A4A, A4AD, A4M, A5AD, B2A, C1A, C1C, C1G, C2A, C2C, D2A, D2B	10-3878	10-3878	10-3878-M	10-3878-H	286-1670	71098	MA-4-5™
VO-435-A1E, A1F, B1A, A1D, O-540-A1A	10-4025-12		10-4025-12-M	10-4025-12-H	286-1384	71684	MA-4-5AA™
O-540-B2C5, B2C5D, G1A5, G1A5D, G2A5, H1B5D, H2A5, H2B5D, A15D, B2B5	10-4044-1	10-4044-1	10-4044-1-M	10-4044-1-H		74121	MA-4-5™
LO-360-A2D, O-360-A2D, C1E, C2C, C2E, A1A, A1D, A2A, A2D, A2F, A3A, A4A, C1C, C2A	10-4164-1	10-4164-1	10-4164-1-M	10-4164-1-H	286-1661	71710	MA-4-5™
VO-540-B1A, B1B, B1B3, B1C, B1F, B2A	10-4218-1		10-4218-1-M	10-4218-1-H	286-1645	72407	MA-6AA™

Eligibility continues on the next page

Marvel Schebler Carburetors eligibility continued from previous page

Eligibility continued from previous page

Engine Model	Marvel-Schebler P/N	McFarlane P/N			Deluxe Repair Kit	Engine Mfg. P/N	Carburetor Model
		New	Rebuilt	Overhauled			
Textron Lycoming Engines							
VO-540-B1D, B2B, C1A, C1B, C1C3, C2A, C2B, C2C	10-4401-1			10-4401-1-H	286-1618	72920	MA-6AA™
O-540-A1A, A1A5, A1B5, A1C5, A1D, A1D5, A2B, A3D5, A4A5, A4D5, B1A5, B1B5, B2A5, B2B5, B4B5, E1A5, E4A5, E4B5, E4C5, J1A5D, J1B5D	10-4404	10-4404	10-4404-H	10-4404-H	286-1643	72740	MA-4-5™
TVO-435-A1A, -B1A, -B1B, -D1A, -D1B, -F1A, -G1A, -G1B	10-4438-1		10-4438-1-M	10-4438-1-H	286-1394	73899	MA-6AA™
O-320 Series	10-4910	10-4910	10-4910-M	10-4910-H	286-1668	77279	MA-4SPA™
O-320 Series	10-4910-1	10-4910-1	10-4910-1-M	10-4910-1-H	286-2012	LW-16559	MA-4SPA™
O-235-F1B, O-235-C2C, O-235-L2C	10-4953		10-4953-M	10-4953-H	286-1617	77585	MA-3A™
O-540-B1B3	10-4975			10-4975-H		77888	MA-6AA™
O-320-A1B, D1F, D2F, E1C, E1F, E1J, E2D, E2F, E2G, E3H, H1AD, D2C, E1A, E2C, E3D, H2AD, A2B, B2B, E2A	10-5009	10-5009	10-5009-M	10-5009-H	286-1622	78728	MA-4SPA™
O-360-A1F6, A1F6D, A4N, A2F	10-5034	10-5034	10-5034-M	10-5034-H		LW-10064	MA-4-5™
O-540 Series	10-5042		10-5042-H	10-5042-H	286-1646	LW-10196	MA-4-5™
O-360 Series	10-5045-1			10-5045-1-H		LW-12175	HA-6™
O-235-E2A, C1, H2C, C2A, C2C	10-5050	10-5050	10-5050-M	10-5050-H	286-1640	LW-10619	MA-3PA™
O-540-B2B5, B4B5, B4B5D, E4B5D, J2A5D, J3A5D, E4B5, J1A5D, E4B5"	10-5054	10-5054	10-5054-M	10-5054-H	286-1647	LW-10540	MA-4-5™
O-320 and O-360 Series	10-5092			10-5092-H	286-1613	LW-12097	HA-6™
O-235-F2A, F2B, G1, J2A, G2A	10-5126	10-5126	10-5126-M	10-5126-H	286-1672	LW-13133	MA-3PA™
O-320-A2C, D1A, D1AD, D2G, D2H, D2J, D3G, E1J, E2A, E2D, E2G, E2H, E3D, E3H, H2AD	10-5135	10-5135	10-5135-M	10-5135-H		LW-13659	
O-235-K2A, K2B, L2A, N2A, H2C, L2C	10-5142	10-5142	10-5142-M	10-5142-H	286-1696	LW-14016	MA-3PA™
	10-5189			10-5189-H	286-1718	LW-13757	HA-6™
O-360-A4M, A1A, A4A	10-5193	10-5193	10-5193-M	10-5193-H	286-1719	LW-15380	MA-4-5™
O-235-K2C, L2A	10-5199	10-5199	10-5199-M	10-5199-H	286-1740	LW-15496	MA-3A™
TO-360 Series	10-5200			10-5200-H		LW-155047	HA-6™
TO-360 Series	10-5211			10-5211-H	286-1735	LW-15674	HA-6™
TO-360 Series	10-5211-1			10-5211-1-H		LW-15985	HA-6™
O-320-D2G, D2H, D2J, E2H, H2AD, A2C, D1AD, E1J, E2D, E2G, E3H, D1A, E3D, E2A, D3G	10-5217	10-5217	10-5217-M	10-5217-H		LW-15986	MA-4SPA™
O-320, O-360 and LO-360 Series	10-5219	10-5219	10-5219-M	10-5219-H	286-1760	LW-15957	HA-6™
O-235-C1C, M1, M2C, P2A, N2A, L2A	10-5220	10-5220	10-5220-M	10-5220-H	286-1771	LW-16073	MA-3PA™
O-320 Series	10-5224	10-5224	10-5224-M	10-5224-H		LW-15958	HA-6™
O-360 and LO-360 Series	10-5230	10-5230	10-5230-M	10-5230-H	286-1762	LW-15959	HA-6™
O-540 Series	10-5235	10-5235	10-5235-M	10-5235-H	286-1763	LW-15960	HA-6™
TO-360 Series	10-5238		10-5238-M	10-5238-H	286-1764	LW-15961	HA-6™
TO-360 Series	10-5246		10-5246-M	10-5246-H	286-1766	LW-16028	HA-6™
O-360 Series	10-5253	10-5253	10-5253-M	10-5253-H	286-1768	LW-16518	HA-6™
O-360 and LO-360 Series	10-5255	10-5255	10-5255-M	10-5255-H	286-1767	LW-16625	HA-6™
TO-360 and LTO-360 Series	10-5256-1		10-5256-1-M	10-5256-1-H	286-1779	61E22563	HA-6™
O-235-H2C	10-5257	10-5257	10-5257-M	10-5257-H	286-1772	LW-16677	MA-3PA™
O-235-N2C, P1, M1, N2A	10-5267	10-5267	10-5267-M	10-5267-H	286-1783	LW-16907	MA-3PA™
TO-360 Series	10-5280-2	10-5280-2	10-5280-2-M	10-5280-2-H		LW-18999	HA-6™
O-360 and LO-360 Series	10-5282		10-5282-M	10-5282-H	286-2014	LW-18662	HA-6™
O-360 and LO-360 Series	10-5283	10-5283	10-5283-M	10-5283-H	286-2015	LW-18663	HA-6™
O-360-A4N	10-5288	10-5288	10-5288-M	10-5288-H	286-2017	LW-18788	MA-4-5™
O-540 Series	10-6001	10-6001	10-6001-M	10-6001-H	286-1784	LW-18987	HA-6™
O-360 and LO-360 Series	10-6019	10-6019	10-6019-M	10-6019-H	286-2020	61E21713	HA-6™
O-360 and LO-360 Series	10-6019-1	10-6019-1	10-6019-1-M	10-6019-1-H		61E23632	HA-6™
HO-360 Series	10-6030-1	10-6030-1	10-6030-1-M	10-6030-1-H	286-2060	61E22534	HA-6™
O-540-F1A5, F1B5	10-6035-11	10-6035-11	10-6035-11-M	10-6035-11-H	286-2051	61C22451	MA-4-5™
O-360-J2A	10-6045	10-6045	10-6045-M	10-6045-H	286-2039	61C22198	MA-4-5™
O-360-A1A, A1AD, A1C, A1D, A1F, A1F6, A1F6D, A1LD, A1P, A2A, A2D, A2E, A2F, A3A, A3AD, A3D, A4D, A4AD, A4D, A4G, A4M, A4N, A4P, A5AD, B1A, B1B, B2A, B2B, B2C, C1A, C1C, C1E, C1G, C2A, C2B, C2C, C2D, C2E, C4F, C4P, D1A, D2A, D2B	10-6054	10-6054	10-6054-M	10-6054-H		61C22551	MA-4-5™
O-360-A1A, A1AD, A1C, A1D, A1F, A1F6, A1F6D, A1LD, A1P, A2A, A2D, A2E, A2F, A3A, A3AD, A3D, A4D, A4AD, A4D, A4G, A4M, A4N, A4P, A5AD, B1A, B1B, B2A, B2B, B2C, C1A, C1C, C1E, C1G, C2A, C2B, C2C, C2D, C2E, C4F, C4P, D1A, D2A, D2B	10-6102	10-6102	10-6102-M	10-6102-H		61C23100	MA-4-5™
O-360-J2A	10-6110	10-6110	10-6110-M	10-6110-H		61B23955	MA-4SPA™
Miscellaneous							
	10-2065			10-2065-H			MA-2™
	10-2153			10-2153-H			MA-3™
	10-2356-1			10-2356-1-H			
	10-2539-1			10-2539-1-H			
	10-2827			10-2827-H			MA-4-5™
	10-2971-P			10-2971P-H			MA-3SPA™
	10-3168		10-3168-M	10-3168-H			MA-4-5™
	10-3391			10-3391-H		62830	MA-3SPA™
	10-3634			10-3634-H			MA-4-5™
	10-3649-1			10-3649-1-H			MA-4-5™
	10-4439			10-4439-H			MA-3SPA™
				10-5009N-H			MA-4SPA™
	10-5067			10-5067-H			
	10-5221			10-5221-H			
O-540 Series	10-5243			10-5243-H	286-1765	LW-15963	HA-6™
Superior Air Parts Engines							
O-360-A1A1, A1A2, A2A1, A2A2, A3A1, A3A2, B1A1, B1A2, B2A1, B2A2, B3A1, B3A2, B4A1, B4A2, B5A1, B5A2, B6A1, B6A2, C1A1, C1A2, C2A1, C2A2, C2A1, C3A2, D1A1, D1A2, D2A1, D2A2, D3A1, D3A2, D4A1, D4A2, D5A1, D5A2, D6A1, D6A2, E1A1, E1A2, E2A1, E2A2, E3A1, E3A2	10-6104	10-6104	10-6104-M	10-6104-H		SV10-6104	MA-4-5™

Firewall Forward

Marvel Schebler Miscellaneous Replacement Parts

Figure reference and photos are on page 65.

Firewall Forward

Description	Fig	Part Number
Baffle, Fuel Bowl	N/A	178-34
Ball	N/A	206-21
	N/A	206-22
Ball, Lead	N/A	37-7
	N/A	293-593
	N/A	293-542
Bellows Assembly	N/A	293-549
	N/A	293-551
	N/A	293-556
Bolt, Eye	N/A	104-28
Bracket	N/A	136-58
Bracket, Float	N/A	136-62
Bracket, Pump	N/A	136-493
Bushing	N/A	60-A127
Bushing, Cutoff Valve	N/A	60-A163
Bushing, Throttle Shaft	N/A	60-260
	N/A	60-A160
Bushing, Vertical Well Vent	N/A	60-A137
Button	N/A	M-123A
Cam Assembly	N/A	155-657
	N/A	29-182
Clip, Float Valve	N/A	29-184
	N/A	29-193
Collar, Idle Tube	N/A	124-52
Cotter Pin	N/A	82-9
	N/A	56-597
Cover Assembly, Bowl	N/A	56-598
Drill Plug	N/A	15-223
Fitting	N/A	68-93
Fitting, Inlet	N/A	68-101
	N/A	68-245
Flange Retainer	N/A	110-173
Float Assembly	25	30-860
Float Assembly, Large MA	23	30-862
Float Assembly, Small MA	24	30-864
	4	233-614
Float Assembly, Needle and Seat	N/A	233-615
	N/A	233-699
	N/A	233-700
Float Kit, Bing Carburetor/Rotax	26	MS80-430
Float Kit, HA-6	N/A	666-1001
Float Kit, Large	22	666-1002
Float Kit, Small	N/A	666-1000
Gage, Float Setting	N/A	M-509
Gage, Pin Depth	N/A	M-141
	N/A	16-A16
	21	16-A31
Gasket	N/A	16-B45
	N/A	16-B57
Gasket, Air Metering	N/A	16-A56
Gasket, Bowl Cover	N/A	16-B330
Gasket, Bowl Vent Strainer	N/A	16-A16
Gasket, Drain Plug	N/A	16-B322
Gasket, Fiber	N/A	16-B287
	N/A	16-223
Gasket, Float Valve Seat	N/A	16-224
	N/A	16-A32
Gasket, Fuel Cut Off Valve	N/A	16-B302
	N/A	16-B303
Gasket, Idle Adjustment Needle	N/A	16-A39
Gasket, Idle Needle	N/A	16-A120
Gasket, Main Nozzle	N/A	16-B58
	N/A	16-222
Gasket, Nozzle	N/A	16-A30
	N/A	16-B59
Gasket, Plate Lock	N/A	16-B288
	N/A	16-A367
Gasket, Power Jet	N/A	16-A107
	N/A	16-A42
Gasket, Pump Idler Screw	N/A	16-B44
Gasket, Special Lock	N/A	16-B172
Gasket, Throttle	N/A	16-B12
Gasket, Throttle Body	19	16-B75
	20	16-B85
Gasket, Throttle Body to Bowl	N/A	16-221
Guide, Pump	N/A	88-92
Housing, Pump Inlet	N/A	221-76
	N/A	49-199
Jet, Air Metering Pin	N/A	49-267
	N/A	49-A79
	N/A	49-180
Jet, Economizer	N/A	49-207
	N/A	49-218
	N/A	49-258
	N/A	49-A73
	N/A	49-A102
Jet, Power	N/A	49-A134
	N/A	49-A140
	N/A	49-A147
	N/A	49-A252

Continued on the next column

Continued from previous column		
Description	Fig	Part Number
	N/A	49-A257
	N/A	49-A260
	N/A	49-A262
	N/A	49-A267
Jet Power	N/A	49-A281
	N/A	49-A282
	N/A	49-A400
	N/A	49-B352
Lever, Control	N/A	12-B375
	N/A	155-300
	N/A	155-307
	N/A	155-357
Lever, Mixture Control	N/A	155-367
	N/A	155-387
	N/A	155-409
	N/A	155-A4
Lever Assembly, Mixture Control	N/A	155-580
	N/A	155-597
	N/A	155-627
	N/A	155-629
Lever, Pump	N/A	155-226
	N/A	155-A74
Lever Assembly, Pump	N/A	155-560
	N/A	155-650
Lever Assembly, Pump, Idler	N/A	155-568
	N/A	12-A216
	N/A	12-B56
	N/A	12-B57
	N/A	12-B58
Lever, Throttle	N/A	12-B59
	N/A	12-B72
	N/A	12-B112
	N/A	12-B296
	N/A	12-B371
	N/A	12-1033
Lever Assembly, Throttle	N/A	12-1096
	N/A	12-929
	N/A	12-982
Link, Pump	N/A	168-366
Lockwire	N/A	66-18
Needle, Idle	15	43-564
	N/A	43-362
Needle, Idle Adjustment	N/A	43-A90
	17	43-A93
	N/A	43-648
Needle Assembly, Idle Adjustment	N/A	43-649
Nozzle	N/A	47-858
Nozzle, Main	N/A	47-A128
Nozzle, Secondary	N/A	47-A109
	N/A	47-A163
	N/A	47-466
	N/A	47-652
	N/A	47-684
	N/A	47-702
	N/A	47-719
	N/A	47-728
	N/A	47-734
	N/A	47-735
	N/A	47-739
	N/A	47-741
	7	47-749
	N/A	47-750
	N/A	47-751
	N/A	47-755
	N/A	47-757
	N/A	47-770
	N/A	47-773
	N/A	47-775
	N/A	47-779
Nozzle Assembly	N/A	47-781
	N/A	47-803
	N/A	47-805
	N/A	47-806
	N/A	47-813
	N/A	47-817
	N/A	47-818
	N/A	47-819
	N/A	47-821
	N/A	47-822
	N/A	47-828
	N/A	47-830
	N/A	47-831
	N/A	47-833
	N/A	47-845
	N/A	47-846
	N/A	47-847
	N/A	47-850
	N/A	47-851
	N/A	47-852

Continued on the next column

Continued from previous column		
Description	Fig	Part Number
	N/A	47-853
Nozzle Assembly	N/A	47-856
	N/A	47-857
	N/A	47-826-1
Nut, Castle	N/A	81-311
Nut, Lock	N/A	81-244
Nut, Pump Linkage	N/A	81-298
	N/A	44-220
	N/A	44-221
O-Ring	N/A	44-222
	N/A	44-223
	N/A	44-224
Packing, Pump Stem	N/A	44-49
Packing, Vacuum Pump Block Rod	N/A	44-286
	N/A	62-436
	N/A	62-A19
Pin	N/A	62-A31
	N/A	62-A34
	N/A	71-37
	N/A	173-133
	N/A	173-144
Pin, Air Metering	N/A	173-146
	N/A	173-154
	N/A	173-159
	N/A	173-160
Pin, Economizer Stop	N/A	62-F1
Plate	N/A	198-379
Plate, ID, Red, MA-3	N/A	63-B456
Plate, ID, Red, MA4-5	N/A	63-B452
Plate, ID, Red, MA-5	N/A	63-B453
Plate, Pump Linkage	N/A	198-223
Plug	N/A	99-34
	N/A	99-45
Plug, 0.125-18 NPTF	N/A	99-35
Plug, 0.4375-20 UN-3A	N/A	99-37
Plug, Air Metering	N/A	80-151
	N/A	80-364
Plug, Drain	N/A	99-101
Plug, Expansion	N/A	179-45
Plug, Pipe	N/A	99-44
Plug, Pipe	N/A	99-8
	9	194-580
	N/A	194-593
Plunger Assembly	N/A	194-605
	10	194-625
	N/A	194-800
Plunger Assembly, Pump	11	194-591
	N/A	194-749
Ratchet Assembly	N/A	261-501
	N/A	55-255
Retainer	N/A	55-270
	N/A	55-A139
	N/A	55-A191
	N/A	55-A246
Retainer Assembly	N/A	55-524
Retainer, Bellows	N/A	55-449
Retainer, Mixture Valve	N/A	55-A239
Retainer, O-Ring	N/A	55-A233
	N/A	78-A123
Ring, Retaining	N/A	78-A124
	N/A	78-A125
	N/A	78-A127
Rod	N/A	119-126
	N/A	17-383
Rod, Actuating, Air Metering	N/A	119-113
	N/A	119-125
Rod, Actuating Pump Plunger	N/A	119-112
	N/A	119-124
Rod, Pump Connecting	N/A	17-372
	N/A	95-506
Screen Assembly	N/A	95-509
	N/A	95-529
	N/A	95-530
Screen, Bowl Vent	N/A	95-63
Screen, Nozzle	N/A	95-75
Screen, Pump Inlet	N/A	95-54
	N/A	15-58
	N/A	15-A1
	N/A	15-A14
	N/A	15-A21
	N/A	15-A408
Screw	N/A	15-A84
	N/A	15-B105
	N/A	15-B109
	N/A	15-B110
	N/A	15-B135
Screw and Washer	N/A	15-483
Screw, 5-40x1/8 UNC-2A HEX	N/A	15-A260
Screw, Bowl Cover	N/A	15-B126

Continued on the next page

Marvel Schebler Replacement Parts continued from previous page

Continued from previous column		
Description	Fig	Part Number
Screw, Drive	N/A	15-367
	N/A	15-A204
Screw, Fill Head	N/A	15-A151
	N/A	15-A407
Screw, Hex Headless Set	N/A	15-B496
Screw, Idle	N/A	15-126
	N/A	15-42
Screw, Machine	N/A	15-B108
Screw, Machine Slotted	N/A	15-C1
Screw, Plug	N/A	15-A22
Screw, Pump Lever	N/A	15-A15
Screw, Retainer	N/A	15-B395
Screw, Throttle Adjusting	N/A	15-85
	N/A	15-A354
Screw, Throttle Body	N/A	15-B98
Screw, Throttle Lever	N/A	15-493
Screw, Throttle Valve	N/A	15-A23
Seal, Lead	N/A	298-1
	N/A	13-1435
	27	13-1519
	N/A	13-1520
	28	13-1521
	N/A	13-1522
	N/A	13-1523
	N/A	13-1524
	29	13-1526
	N/A	13-1531
	29	13-1533
	N/A	13-1928
	N/A	13-811
	N/A	13-853
	32	32-32
	30	32-35
	31	32-88
Spacer	N/A	79-275
Spring, Air Motor Pin	N/A	24-A30
Spring, Compression	N/A	24-B247
Spring, Idle Adjustment	N/A	24-A1
	N/A	24-A56
Spring, Idle Cutoff	N/A	24-A126
Spring, Idle Needle	N/A	24-340
Spring, Mixture Control	N/A	24-480
Spring, Pump Discharge	N/A	24-A115
Spring, Pump Inlet	N/A	24-A47
	N/A	24-487
	N/A	24-A10
	N/A	24-A33
	N/A	24-A39
	N/A	24-A443
	N/A	24-A469
	N/A	24-B38
	N/A	24-B72
Spring, Throttle Lever	N/A	24-262
Stud, Bellows Spring	N/A	83-479

Continued on the next column

Continued from previous column		
Description	Fig	Part Number
Tool	N/A	M-134
Tool, Arbor Assembly	N/A	M-83
Tool, Assembly	N/A	M-519
Tool, Bushing Assembly	N/A	M-516
Tool, Clinching	N/A	M-109
Tool, Counterbore And Pilot As	N/A	M-542
Tool, Float Setting	N/A	M-510
Tool, Float Valve Seat	N/A	M-103
Tool, Float Valve Seat	N/A	M-104
Tool, Gage Assembly	N/A	M-94
Tool, Peen Throttle Fly Screw	N/A	M-100
Tool, Punch	N/A	M-107
Tool, Punch	N/A	M-123
Tool, Seal Prot	N/A	M-522
Tool, Service	N/A	M-520
Tool, Socket	N/A	M-133
Tool, Staking, Expansion Plug	N/A	M-36902
Tool, Throttle Bush Reamer	N/A	M-108
Tool, Throttle Shaft Bushing I	N/A	M-86
Tool, Throttle Shaft Bushing R	N/A	M-95
Tool, Throttle Shaft Packaging	N/A	M-105A
Tool, Throttle Shaft, Bushing	N/A	M-122
Tool, Throttle Shaft, Packing	N/A	M-105
Tool, Venturi Large	N/A	M-512
Tool, Venturi Rmv	N/A	M-120
	N/A	229-541
	N/A	229-566
	N/A	229-567
	N/A	229-569
	N/A	229-572
	3	229-584
	N/A	229-585
	1	229-587
	N/A	229-588
	N/A	229-589
	N/A	229-592
	N/A	229-594
	N/A	229-596
	N/A	229-598
	N/A	229-599
	2	229-603
	N/A	229-608
	N/A	229-609
	N/A	229-650
	N/A	229-651
	N/A	154-100
	N/A	154-131
	N/A	154-131-1
Tube, Pitot	N/A	154-131-1
Tube, Pump Discharge	N/A	229-164
Valve And Spring Assembly	N/A	34-516
	N/A	242-542
	13	36-525
	12	36-540
	N/A	36-596

Continued on the next column

Continued from previous column		
Description	Fig	Part Number
Valve Assembly, Mixture Control	N/A	242-508
	N/A	242-514
Valve Assembly, Mixture Meter	N/A	242-525
	N/A	242-528
	N/A	242-533
Valve Assembly, Fuel, Cutoff	N/A	242-537
	N/A	242-541
Valve Assembly, Pump, Check	14	36-587
Valve Assembly, Pump, Discharge	N/A	36-625
	N/A	14-172
	N/A	14-187
	N/A	14-189
	N/A	14-190
	N/A	14-277
	N/A	14-348
Valve, Idle, Cutoff	N/A	34-93
Valve, Pump, Discharge	N/A	34-72
	N/A	34-91
	N/A	46-A225
	N/A	46-A226
	N/A	46-A227
	N/A	46-A228
	N/A	46-A255
	5	46-A257
	6	46-F10
	N/A	46-F11
	N/A	46-F12
	N/A	46-F7
	N/A	46-F8
	N/A	46-F9
	N/A	78-297
	N/A	78-A110
	N/A	78-A159
	N/A	78-A160
	N/A	78-A161
	N/A	78-A169
	N/A	78-A305
	N/A	78-A40
Washer, Bowl Cover Screw	N/A	78-A122
	N/A	78-1
	N/A	78-184
	N/A	78-A292
	N/A	78-A293
	N/A	78-A294
Washer, Horse Shoe	N/A	78-356
Washer, Lock Tab	N/A	78-A97
Washer, Mixture Control Lever	N/A	78-A109
Washer, Pump Stem Package	N/A	78-388
Washer, Pump Strainer	N/A	78-121
Washer, Ring Set	N/A	78-A295
Washer, Special Lock	N/A	78-357
	N/A	78-A111
Washer, Spring	N/A	78-430
Washer, Throttle Lever Spacer	N/A	78-420
Washer, Wave	N/A	78-A299

Firewall Forward

Photos are not to scale or relative to each other



Control Arms, Shafts and Bearing Housings for Cessna Air Boxes

Unique elastomer bearing replaces needle bearing

McFarlane's elastomer bearing is assembled with tension between the mating surfaces. This tension prevents micro-movement and its related metal erosion. The bearing contact area that transfers vibration motion from the heat box to the butterfly shaft is hundreds of times greater than that of the original needle bearing. This large surface effectively prevents localized metal erosion.

- Absorbs shaft and butterfly vibration
- Eliminates needle bearing failures
- Increases service life of **all** components
- Direct replacement for original parts

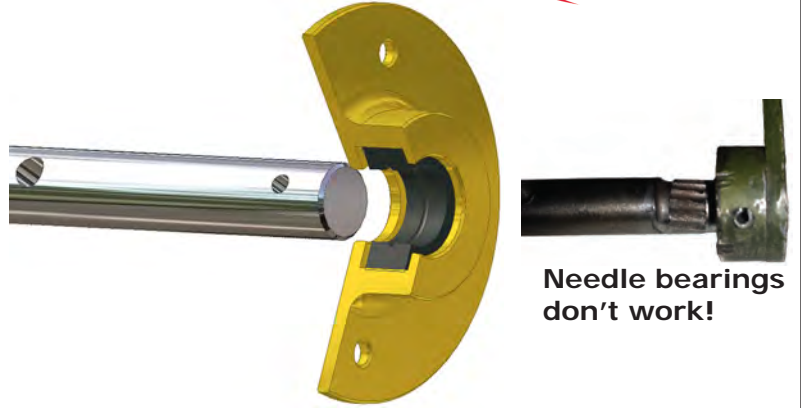
Proven Design

- Tested to over 700,000 cycles while exposed to avgas, heat and vibration without any change in performance
- Extremely rugged and wear resistant in high temperature and fuel environments

Convenient

- Discontinued part numbers through the factory are now manufactured by McFarlane
- Also available in kits containing the shaft, arm, bearing housings, monel rivets, and roll pin

New approvals for 177 and 205 thru 310 aircraft!



Needle bearings don't work!

Model	Serial Number	Shaft P/N	Arm P/N	Roll Pin P/N ¹	Rivet P/N	Bearing Housing P/N	Kit P/N
152	All	MC0450068-2	MCS2280-8-00	MS16562-17	MS20615-4M9	MC0750113-1	CCH-KT-1
A152	All	MC0450068-2	MCS2280-8-00	MS16562-17	MS20615-4M9	MC0750113-1	CCH-KT-1
F152	All	MC0450068-2	MCS2280-8-00	MS16562-17	MS20615-4M9	MC0750113-1	CCH-KT-1
FA152	All	MC0450068-2	MCS2280-8-00	MS16562-17	MS20615-4M9	MC0750113-1	CCH-KT-1
172B,C	All	MC0550180-16	²	²	MS20615-4M9	MC0750113-1	CCH-KT-2
172D,E,F,G	All	MC0550180-28	²	²	MS20615-4M9	MC0750113-1	CCH-KT-3
F172D,E,F,G	All	MC0550180-28	²	²	MS20615-4M9	MC0750113-1	CCH-KT-3
172H,I,K,L,M,N,P	All	MC0550180-16	²	²	MS20615-4M9	MC0750113-1	CCH-KT-2
F172H,K,L,M,N,P	All	MC0550180-16	²	²	MS20615-4M9	MC0750113-1	CCH-KT-2
172Q	All	MC0509068-6	MC0750111-19	MS16562-17	MS20615-4M9	MC0750113-3	CCH-KT-4
P172	All	Not Available	Not Available	Not Available	MS20615-4M9	MC0750113-1	N/A
175, 175A	All	MC0750133-8	MC0750111-19	MS16562-17	MS20615-4M9	MC0750113-3	CCH-KT-5
175B,C	All	Not Available	Not Available	Not Available	MS20615-4M9	MC0750113-1	N/A
177	All	Not Available	Not Available	Not Available	MS20615-4M9	MC0750113-3	N/A
177A,B	All	MC1752078-4	MC0750111-19	MS16562-16	MS20615-4M9	MC955	CCH-KT-17
180 ¹	30000 thru 32150	MC0750112	MC0750111-19	MS16562-16	MS20615-4M9	MC0750113-1	CCH-KT-7
180 ¹ , 180A,B	32151 thru 50661	MC0750126-19	MC0750111-19	MS16562-16	MS20615-4M9	MC0750113-3	CCH-KT-8
180C,D,E,F,G,H,J,K	All	MC0750133-8	MC0750111-19	MS16562-16	MS20615-4M9	MC0750113-1	CCH-KT-9
182, 182A,B,C,D,E,F,G,H	All	MC0750133-8	MC0750111-19	MS16562-16	MS20615-4M9	MC0750113-1	CCH-KT-9
182J,K,L,M,N,P,Q,R	All	MC0750133-8	MC0750111-19	MS16562-16	MS20615-4M9	MC0750113-1	CCH-KT-9
F182P,Q	All	MC0750133-8	MC0750111-19	MS16562-16	MS20615-4M9	MC0750113-1	CCH-KT-9
R182	All	Not Available	MCS2280-3-157	MS16562-205	MS20615-4M9	MC0750113-1	N/A
FR182	All	Not Available	MCS2280-3-157	MS16562-205	MS20615-4M9	MC0750113-1	N/A
185, 185A,B,C,D,E/A185E ¹	185-0001 thru 185-1300	MC0750173-3	MC0750111-19	MS16562-16	MS20615-4M9	MC0750113-1	CCH-KT-10
A185E ¹	185-1301 thru 18501832	MC0750173-4	MC0750111-19	MS16562-16	MS20615-4M9	MC0750113-1	CCH-KT-11
188	188-0001 thru 18802348	MC0750133-8	MC0750111-19	MS16562-16	MS20615-4M9	MC0750113-1	CCH-KT-9
210-5 (205), 210-5A (205A)	All	MC1250311-1	N/A	N/A	MS20470AD4-7	MC1250309-1 ⁴	CCH-KT-12
		MC0850500-37	N/A	N/A	MS20470AD4-7	MC0850500-31 ⁴	CCH-KT-13
		MC1250311-1	MC0850500-30	MS16562-27	MS20470AD4-7	MC1250309-1 ⁴	CCH-KT-14
		MC0850500-37	MC0850500-30	MS16562-27	MS20470AD4-7	MC0850500-31 ⁴	CCH-KT-15
		MC1250311-1	N/A	N/A	MS20470AD4-7	MC1250309-1 ⁴	CCH-KT-12
206, U206, U206A,B, P206, P206A,B	All	MC0850500-37	N/A	N/A	MS20470AD4-7	MC0850500-31 ⁴	CCH-KT-13
		MC1250311-1	MC0850500-30	MS16562-27	MS20470AD4-7	MC1250309-1 ⁴	CCH-KT-14
		MC0850500-37	MC0850500-30	MS16562-27	MS20470AD4-7	MC0850500-31 ⁴	CCH-KT-15
U206C,D,E,F,G, P206C,D,E	All	MC1250311-1	N/A	N/A	MS20470AD4-7	MC1250309-1 ⁴	CCH-KT-12
		MC1250311-1	MC0850500-30	MS16562-27	MS20470AD4-7	MC1250309-1 ⁴	CCH-KT-14
		MC1250311-1	N/A	N/A	MS20470AD4-7	MC1250309-1 ⁴	CCH-KT-12
207, 207A	All	MC1250311-1	MC0850500-30	MS16562-27	MS20470AD4-7	MC1250309-1 ⁴	CCH-KT-14
		MC1250311-1	N/A	N/A	MS20470AD4-7	MC1250309-1 ⁴	CCH-KT-12
		MC0850500-37	N/A	N/A	MS20470AD4-7	MC0850500-31 ⁴	CCH-KT-13
210, 210A,B,C	All	MC1250311-1	MC0850500-30	MS16562-27	MS20470AD4-7	MC1250309-1 ⁴	CCH-KT-14
		MC0850500-37	MC0850500-30	MS16562-27	MS20470AD4-7	MC0850500-31 ⁴	CCH-KT-15
		MC1250311-1	N/A	N/A	MS20470AD4-7	MC1250309-1 ⁴	CCH-KT-12
210D,E,F,G	All	MC1250311-1	MC1250718-1	MS16562-27	MS20470AD4-7	MC1250309-1 ⁴	CCH-KT-16
		MC1250311-1	N/A	N/A	MS20470AD4-7	MC1250309-1 ⁴	CCH-KT-12
		MC1250311-1	N/A	N/A	MS20470AD4-7	MC1250309-1 ⁴	CCH-KT-12
210H,H,K,L,M,N ¹	21058937 thru 21064535	MC1250311-1	MC0850500-30	MS16562-27	MS20470AD4-7	MC1250309-1 ⁴	CCH-KT-14
310, 310B		N/A	MC0850500-30	N/A	N/A	N/A	N/A

¹ Partial model eligibility
² The control arm is integral with the shaft.
³ Attach shaft to arm with the specified roll pin
⁴ P/N MC0850500-31 and MC1250309-1 are not for sale individually unless the customer has previously purchased the eligible corresponding shaft P/N MC0850500-37 or MC1250311-1.



**Costs less \$\$\$
Never wears out!**





So D A M™ good we had to share it!

Window Cleaner

Fast, streak-free, and safe on all surfaces
Also great for motorcycles, boats, RVs, and more

See page 340 for details.



Window Towels

No more scratches on your windows!
Avoid the scratches left behind from standard paper towels

See page 340 for details.

Pulley Oil

Improved oiler, same great oil!
Perfect for hard-to-reach areas

See page 355 for details.



Exhaust Lube

The only anti-seize that actually works!
Use on exhaust ball joints, clamps, slip joints, and hardware
Protects up to 2400°, with no stainless corroding graphite!

See page 98 for details.

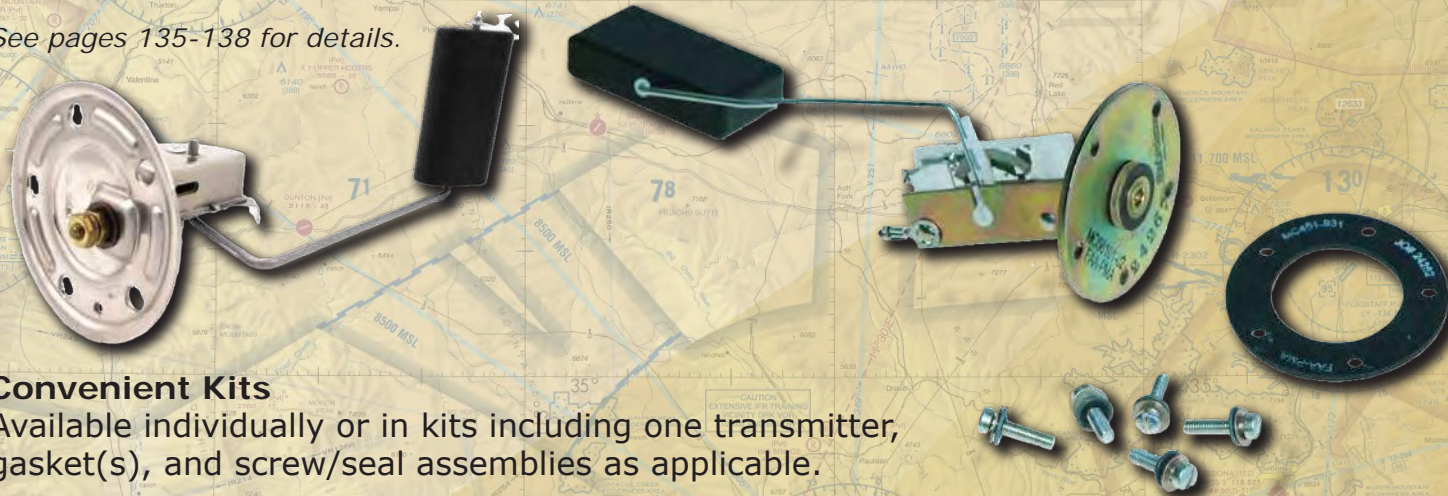


Fuel Quantity Transmitters for Cessna, Piper and Maule Aircraft

McFarlane

- FAA-PMA Approved
- Cessna 150, 172 thru 210 aircraft
- Piper PA28, PA28R, PA31, PA32, PA34, PA44 aircraft
- Many Maule aircraft models
- Stewart Warner and Rochester direct replacement transmitters
- No modifications required

See pages 135-138 for details.



Convenient Kits

Available individually or in kits including one transmitter, gasket(s), and screw/seal assemblies as applicable.

More accurate and lasts longer!

Cabin and Cargo Door Hinges

Cessna 170, 172, 175, 180, 185, 205, 206, 207, 210 Series Aircraft

- FAA-PMA Approved
- SAVE HUNDREDS \$\$\$
- Improved McFarlane design
- Solid welded design with pre-drilled precision holes
- Straight or bent hinges available!

See pages 266-267 for details.

Coming Soon!

Cessna 120, 140, 150 Series Cabin Door Hinges

McFarlane



Cessna Carburetor Heat Air Box Assembly

Remove that tired, old air box — Install **NEW**, not rebuilt!

Finally a cost effective, improved air/heat system!

- New with improved components
- Direct replacement of original assembly
- Quality built with McFarlane bearing housings
- Transport Canada Part Design Approval — ships with Transport Canada Form One

Don't waste anymore time or money with that old air box. Newly constructed air boxes reduce maintenance headaches! Damaged components, mis-repair, and inferior seals can cause dangerous conditions and the inability to clear away ice. McFarlane vibration absorbing bearings stop flapper (butterfly) vibration — no more needle bearing failures!

Replacement components are available separately.

Cessna 182 Air Boxes now available!

Save \$\$\$

180/182/188 Air Box Collar/Flange

P/N 0750288-1AWL

Machined from solid material, rather than formed and heat-treated. This part comes un-drilled to better match your existing air box. It's intended to be riveted and installed with wet adhesive.

182 Top Skin

P/N 0750133-20AWL

Manufactured from stainless steel with a pulled-through stainless lip to attach to the top attach flange. We strongly suggest replacing with a new air box assembly if the air box has multiple cracks in multiple panels.

Air Box Flapper-Shaft Standoff

P/N 0750133-9AWL

This stainless steel flapper standoff should be replaced in sets of 2. Should be installed outside of the air box to ensure proper bucking of the rivets.

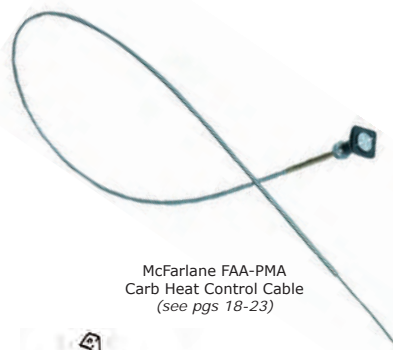
Manufactured by Acorn Welding



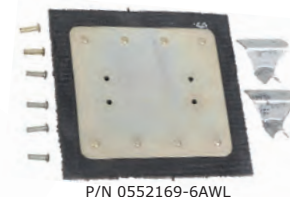
P/N 0552164-4AWL

Aircraft Model	Part Number	Description
152, A152, F152, FA152	0550180-13AWL	Carb Attach Flange
172B,C,D,E,F,G,H	0750133-9AWL	Flapper Standoff
	0550180-10AWL	Flapper Assembly
	0550180-13AWL	Carb Attach Flange
172I,K	0550180-10AWL	Flapper Assembly
	0550180-13AWL	Carb Attach Flange
	0552113-11AWL ¹	Carb Air Box
172L,M	0750133-9AWL	Flapper Standoff
	0550180-10AWL	Flapper Assembly
	0550180-13AWL	Carb Attach Flange
172N,P	0552113-10WL	Air Box Center Panel
	0552113-13AWL ¹	Carb Air Box
	0750133-9AWL	Flapper Standoff
172RG	0552164-4AWL	Carb Air Box
	0552169-6AWL	Flapper Assembly
	0550180-13AWL	Carb Attach Flange
F172D,E,F,G,H,K	0550180-13AWL	Carb Attach Flange
	0550180-10AWL	Flapper Assembly
	0750133-9AWL	Flapper Standoff
F172L,M	0550180-10AWL	Flapper Assembly
	0550180-13AWL	Carb Attach Flange
	0552113-13AWL ¹	Carb Air Box
F172N,P	0750133-9AWL	Flapper Standoff
	0550180-13AWL	Carb Attach Flange
	0552164-4AWL	Carb Air Box
P172D, 175, 175A,B,C, 177A,B	0552169-6AWL	Flapper Assembly
	0750288-1AWL	Carb Attach Flange
	0750126-21AWL	Air Box
180A,B	0750126-3AWL	Air Box, Top Skin
	0750133-9AWL	Flapper Standoff
	0750288-1AWL	Carb Attach Flange
180C,D,E,F,G,H,I,K	0750144-33AWL	Air Box Assy
	0750133-9AWL	Flapper Standoff
	0750288-1AWL	Carb Attach Flange
182,182A	0750144-33AWL	Air Box Assy
	0750133-1AWL ²	Air Box
	0750133-18AWL ³	Air Box
	0750133-20AWL	Spares, Top Skin
	0750133-9AWL	Flapper Standoff
182B,C	0750288-1AWL	Carb Attach Flange
	0750144-33AWL	Air Box Assy
	0750133-9AWL	Flapper Standoff
182D,E,F,G,H,I,K,L,M,N,P,Q,R F182Q	0750288-1AWL	Carb Attach Flange
	0750144-33AWL	Air Box Assy
	0750144-28AWL	Top Skin
	0750133-9AWL	Flapper Standoff
188, 188A,B, A188, A188A	0750288-1AWL	Carb Attach Flange
	0750144-33AWL	Air Box Assy
	0750144-33AWL	Air Box Assy

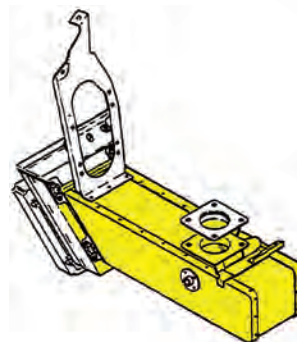
¹ P/N 0552113-11AWL and 0552113-13AWL is offered with Dynamic Propeller STC/PMA seal P/N DP0552130-11 as a special order item.
² S/N 33000 thru 34440
³ S/N 34441 thru 51556



McFarlane FAA-PMA Carb Heat Control Cable (see pgs 18-23)



P/N 0552169-6AWL



P/N 0552113-11AWL

Maintenance Tip:

When there is excessive "slack" or lack of "sufficient friction" on the carb heat control cable the flapper (butterfly) will vibrate, wearing the airbox.

McFarlane's carb heat cables have a friction/tension system built in for reduced vibration wear, longer life and smooth, consistent control it has a special processed and heavier wire for more fatigue strength and reliability!

Replace your old, worn, carb heat cable with a new McFarlane FAA-PMA approved cable (see pages 18-23).

Avglas™ STC Repair Kit for Continental Steel Carburetor Heat Boxes

New hardened stainless steel bearing for vibration resistance and longer life!

FAA-PMA, STC Kits include:

- Replacement shaft, arm, and detent spring assembly
- Bearings
- Bearing housing
- Locknut and washer
- Complete instructions



Installation:

The butterfly (not included in kit) must be brazed or tack welded to the shaft during installation. The bearing housings must be brazed, tack welded, or flush riveted to the carburetor heat box. Avoid applying excessive heat during brazing or tack welding, or the heat-treated stainless steel bearing may be damaged.



Spring Service Kit P/N FG-SK-1

Eligible for installation on P/N FG-100 and FG-105.

Service kit contains (1) FG102S Spring and (2) MS20613-3-P3 Rivets

Engine Model	Continental Airbox P/N	Avglas P/N
C-75	50256	FG-100
C-85	50256	FG-100
C-90	50256	FG-100
O-200	628122, 653675, 641534	FG-100
O-300	530852, 531143	FG-105

Avglas repair kits only applicable to aircraft.

Airbox to Carburetor Gaskets

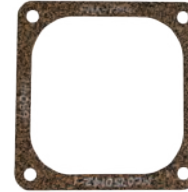
FAA-PMA approved!

- We have them in stock, ready for you!
- Eligible for Cessna and Piper Aircraft
- Drastic savings!
- MIL-SPEC Fuel Proof

Aircraft Models	Part Number
Cessna	
172I,K,L,172M1,N,P, F172L,F172M1	MC649974
172Q	MC0750142-1
172R,S	MC2050005-1
175, 175A,B,C	
1802, 180A,B,C,D,E,F,G,H,180J2,K	MC0750142-1
182, 182A,B,C,D	
188, 188A,B	
Piper	
PA-28-140, PA-28-150, PA-28-151, PA-28-160, PA-28-161 3	MC73451-07
PA-28-180, PA-28R-180, PA-28-1814	
PA-28R-200, PA-28R-2015, PA28RT-201	MC63684-04
PA-28-235	
PA-28-2366	

Notes:

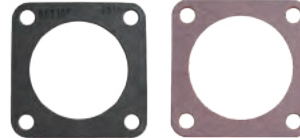
- 1 172M S/N 17260759 thru 17267584; F172M S/N F17200905 thru F17201234
- 2 180 S/N 32151 thru 32661; 180J s/n 18052285 thru 18052770
- 3 PA-28-161 S/N 28-7716001 thru 28-8616057; 2816001 thru 2816119; 2841001 thru 2841365 2842001 thru 2842999
- 4 PA-28-181 S/N 28-7690001 thru 28-8690062, 2890001 thru 2890231, 2843001 thru 2843999
- 5 PA-28R-201 S/N 28R-7737002 thru 28R-7837317, 2837001 thru 2837061, 2844001 thru 2844999
- 6 PA-28-236 S/N 28-7911001 thru 28-8611008, 2811001 thru 2811050



Carburetor to Engine Gaskets

FAA-PMA Approved Continental and Lycoming Engine gaskets

Engine Models	Part Number	Location
Continental Series		
E-165,185,225, IO-470, LTSIO-360, O-470, TSIO-360	652137	Carburetor to Engine
A65, A75, C125-2, C145-2, 2H, C75, C85, C90, O-200-A,B, O-300-A,B,C,D	652105	Carburetor to Engine
Lycoming Series		
O-320, IO-320, AEIO-320, AIO-320, LIO-320, O-320-H		
O-340, O-360, HO-360, IO-360, HIO-360, AIO-360, TIO-360, VO-360, IVO-360, LO-360 E1A6D, TO-360, LTO-360	SL66224	Carburetor or Fuel Injector to Engine
VO-435, TVO-435, GO-480, O-540, IO-540, TIO-540, VO-540, TIVO-540		
O-235-C1, C1B,C, C2A,C, F2A,B, H2C, J2A, K2A,B,C, L2A,C, M1, N2A,C, P2A, O-290-D,D2,D2B,D2C	SL60592	Carburetor to Engine



In stock, ready to ship!

Manufactured by Superior Air Parts, Inc.

Exhaust to Engine Cylinder Gaskets

FAA-PMA approved Continental and Lycoming Gaskets

- Blow-proof gaskets
- Save money now, and down the road!



Manufactured by RAPCO, Inc.		
Description	Part Number	Engine Model, Continental
Gasket, Engine Exhaust, Solid	RA632837	A-65, A-75
Gasket, Engine Exhaust, Spiral Wound	RA627429	C85-12F, C90-8F, C90-12F, C90-14F, C90-16F E-165, E-185, E-225 O-200-A, O-200-B, O-300-A, O-300-C, O-300-D O-470-A, O-470-E, O-470-J
Gasket, Turbocharger Wastegate	RA636465	LTSIO-520-AE TSIO-520-A,B,C,D,E,G,H,J,K,L,M,N,P,R,T,U TSIO-520-AE,AF,BB,BE,CE,DB,EB,JB,KB,LB,NB,UB,VB,WB IO-360-A
Gasket, Engine Exhaust, Spiral Wound	RA628260	O-470-B,G,K,L,M,P,R,S,U, IO-470-D,U,V, TSIO-470-B GTSIO-520-C, TSIO-520-B,C,D
Gasket, Engine Exhaust, Spiral Wound	RA970	IO-360-A,C,D TSIO-360-A,B
Engine Model, Lycoming		
Gasket, Engine Exhaust, Spiral Wound	RA77611	IO-320 O-340 O-360, HO360-B, IO-360-A,B,C, HIO-360-A,B,C ISGO-430 VO-435, TVO-435 GO-480, GSO-480 O-540-A,B,E,G,J,K, IGO-540-A, IGSO-540-A IO-720-A
Gasket, Engine Exhaust, Spiral Wound	RALW15486	TIO-541, TIO-541-A1A, E1A4, E1B4, E1C4
Gasket, Engine Exhaust, Solid	RALW15619	



337 Skymaster Spinner Bulkhead

Most Skymaster 337 Rear Spinner Bulkheads are cracked!
P/N MC1557300-5

- Now FAA-PMA approved!
- Less than half the price and 15 times the crack resistance!
- Spun to shape, heat treated, and spun again
- Kit includes anodized aluminum pressure plate reinforcement
- One piece construction 2x the thickness
- Precision machined to final trueness and balanced
- Epoxy primed and balanced with installation hardware
- 5 year warranty!



Maintenance Tip:
The spinner bulkhead needs to be removed to find the cracks around the attachment bolts.

Aircraft
337, 337B,C,D,E,F,G,H
F337E,F,G,H
FT337E,F,GP,HP
P337H
T337B,C,D,E,F,G,H, T337H-SP

Vacuum Pump Cooling Kits

P/N's KIT #10, KIT #11, and KIT #20

Increase the life of your vacuum pump!

- Keeps cooler air flowing around the pump housing
- Powered by ram air forward of the engine baffle
- Easy installation, minimal tools and RTV silicone adhesive required
- FAA-PMA STC approved



Aircraft	Kit #10 1	Kit #11 2	Kit #20 3
Beechcraft			
F33A, S35, V35, V35A, V35B, 36, A36, A36TC, B36TC	•	•	•
Cessna			
152, A152	•		
172K,L,M,N,P,Q	•		
182G,H,J,K,L,M,N,P,Q, R182, TR182, T182	•		
206, U206, U206A,B,C,D,E,F,G, TU206A,B,C,D,E,F,G	•		
P206A,B,C,D,E, TP206A,B,C,D,E	•		
210L,M,N,R, P210N,R, T210L,M,N	•	•	•
310P,Q,R, T310P,Q,R	•	•	•
Piper			
PA-28-140,150,151,160, S-160,161, S-180,181,235,236,201T	•		
PA-28R-180, R-200, R-201, R-201T, RT-201, RT-201T	•		
PA-32-260,300,301, S-300,R-300,R-301,RT-300	•	•	•
PA-34-200T, 220T	•	•	•
Mooney			
M20E,F,J,K	•	•	•
1 KIT #10 for Airborne model 200 thru 212CW, CC Dry Air Pumps, Tempest models AA3215CC and AA3216CW Dry Air Pumps. 2 Kit #11 for EDO-AIRE model 1U128, 1U12BA and 1U128B and Sigma Tek model 1U128B Dry Air Pumps. 3 Kit #20 for Airborne model 400-Serues Dry Air Pumps and Tempest AA441CC and AA442CW.			

Component List for Vacuum Pump Cooling Kits			
	Qty	Part Number	Description
P/N KIT #10	1	2CDH	Cooling Shroud (3.96" O.D.)
	1	2CDH-1	Flange 1"
	13 - 14"	2CDH-2	1" ID SCAT Aeroduct Ducting
	2	2CDH-3	Cable Ties
	4	AN526-632R8	Screws
P/N KIT #11	4	AN365-632	Nuts
	4	AN960-6	Washers
	1	4ADH	Cooling Shroud (3.96" O.D. Modified)
	1	2CDH-1	Flange
	17 - 18"	2CDH-2	1" ID SCAT Aeroduct Ducting
P/N KIT #20	2	2CDH-3	Cable Ties
	4	AN526-632R8	Screws
	4	AN365-632	Nuts
	4	AN960-6	Washers
	1	6ADH	Cooling Shroud (4.20" O.D.)
	1	6CDH-1	Flange
	17 - 18"	6CDH-2	1.25" ID SCAT Aeroduct Ducting
	2	2CDH-3	Cable Ties
	4	AN526-632R8	Screws
4	AN365-632	Nuts	
4	AN960-6	Washers	

Cowl Attach Plates and Bushings for Piper Aircraft

Bushing P/N MC69790-00 with Retaining Ring P/N MC484-840
Plate P/N MC69791-000 (Includes Bushing and Retaining Ring)

New bushing material. Stronger and Tougher!

- High temperature stainless steel plates and retaining ring.
- Bushing is made from high temperature/high strength thermoplastic that lasts longer than original Nylon and Teflon bushing materials!
- Save up to 50%
- Each component sold separately

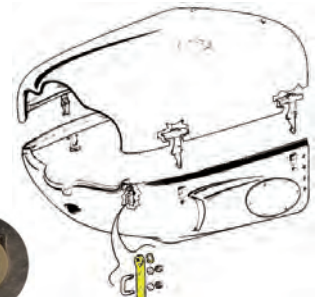


Plate with Bushing and Retaining Ring



Model Series	Serial Numbers	Model Series	Serial Numbers
PA-28-150	28-1761 and On	PA-28R-201	All
PA-28-160	28-1761 and On	PA-28RT-201	All
PA-28-180	28-1761 and On	PA-32-260	All
PA-28-181	28-7690001 and On	PA-32-300	All
PA-28-235	28-10003 and On	PA-32R-300	All
PA-28R-180	28-30005 and On	PA-32RT-300	All
PA-28R-200	28-35001 and On		

SAFE-HEET Silicone Pad Aircraft Engine Heaters

Easy to Use

Preheat in cold weather for longer engine life.

- Permanent installation - thin flexible pad bonds to engine oil sump
- FAA-PMA for Continental, Lycoming and Franklin engines
- No STC or 337 form required (log book entry only)
- No engine or airframe modifications required
- Kit contains instructions and all necessary materials
- Uses standard 110V AC
- Can be used alone or with a timer, or with a temperature controller

Economical and Efficient

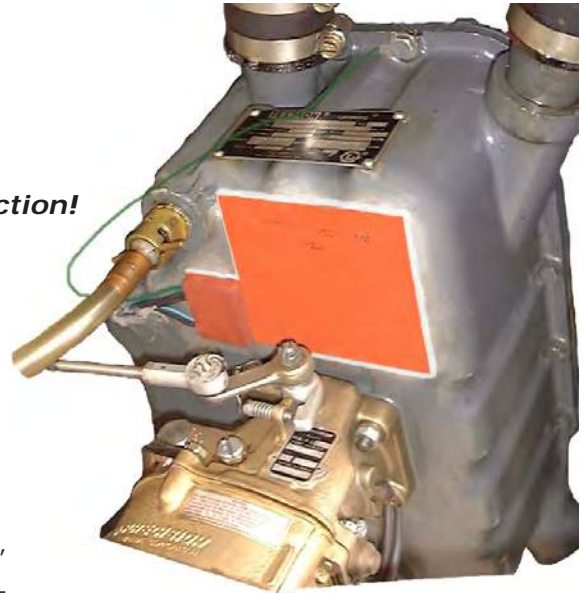
- Puts the heat where it is needed
- Heats the air inside the engine
- Uses about 300 Watts (less than the price of a cup of coffee a day!)
- Warms the engine oil from subzero to safe starting temperature in less than 1 hour
- Thermally conductive adhesive for efficient heat transfer and lower surface temperatures
- Bonded heatsink distributes heat evenly
- Reduces costly starter and engine abuse during cold weather starts

Now with surge protection!

Safe

- UL recognized components. 100% thermal fused element
- External ground wire grounds the engine and airframe to the electrical outlet, reducing the risk of electrical shock in damp outdoor locations
- Thermostatically controlled to maintain oil sump temperature less than 160°F.
- No flame or hot air to burn cowling or plastic parts
- Reduces the risk of fires associated with cold starts
- Ground Fault Circuit Interrupter (GFCI) included to reduce the risk of electrical shock and power surge damage.

Ground fault protected for improved safety!



Installation Tip:

SAFE-HEET engine heaters are installed with a two-part adhesive. The engine heater can be installed quickly and easily by using the 707 temperature controller at half power. At temperatures below 70°F the temperature controller must be used to ensure proper adhesive cure. Proper adhesive cure is essential to full service life of the heater.

Eligibility for SAFE-HEET Engine Heaters

Model Series	P/N
Teledyne Continental Aircraft Engines	
A65, A75, C-75, C-85, C-90, O200	705
C-125, C-145, O-300, GO-300, E165, E185, E225, IO-360, TIO-360, LTSIO-360	700
O-470, IO-470, LIO-470, FSO-470, TSIO-470, GIO-470, IO-520, GTSIO-520, LTSIO-520, IO-550	720B
Textron Lycoming Aircraft Engines	
O-235, O-290, O-320 (EXCEPT O-320-H), IO-320, AIO-320, LIO-320, AEIO-320, O-360, HO-360, LO-360, IO-360, HIO-360, AIO-360, LIO-360, LHIO-360, AEIO-360, VO-360, IVO-360, TIO-360, TO-360, TIO-360, LTO-360, O-435, GO-435, VO-435, GO-480, GSO-480, IGSO-480	700
O-540, VO-540, TVO-540, IO-540, HIO-540, AEIO-540, IGO-540, IGSO-540, IVO-540, TIO-540, LTIO-540, TIVO-540, IO-720	720B
Franklin Aircraft Engines	
6A4-150, 6A4-165	700 or 720

Notes:

- 1 Engine oil sump configurations may vary for specific engine models. There is insufficient oil sump or oil tank area and clearances as specified in the SAFE-HEET Installation Instructions for use of the SAFE-HEET engine heaters on some engine-airframe installations.
- 2 For dry sump engines, use SAFE-HEET pads on the oil tank. The installer must evaluate as per the SAFE-HEET Installation Instructions the available oil sump or oil tank area below the oil level for use of SAFE-HEET pads on all engine models.
- 3 Where the oil sump area is limited, Model 700 may be used. Specifically; 182RG Aircraft are equipped with an O-540 engine. Eligibility shows to use model 720 SAFE-HEET. We have found that there is a limited area to install the 720 model, and customers with a 182RG should use model 700 SAFE-HEET.

Industry-leading 48-month Warranty!

Complete installation instructions:
www.mcfarlaneaviation.com/safe-heet



SAFE-HEET P/N 700
200 Watts
4" X 4"



SAFE-HEET P/N 705
150 Watts
3.5" X 7.3"



SAFE-HEET P/N 720
300 Watts
4" X 7"

Variable Temperature Controller

P/N 707

Makes installation fast and easy!

SAFE-HEET engine heaters can be plugged into the controller to speed and improve engine heater installation. The controller allows the SAFE-HEET engine heater pad to cure the special thermo conductive adhesive using its own heat energy at a reduced rate. SAFE-HEET engine heaters can be installed during much colder temperatures using the 707 Temperature Controller.

The variable temperature controller can also be used for continuous engine heating. Lower temperature settings help prevent the internal engine corrosion normally associated with leaving heaters on at full power. The variable temperature controller allows the user to adjust the heat to best fit each unique situation.

McFarlane's Variable Temperature Controller may be used with other brand engine heaters.

Convenient SAFE-HEET Kits with Temperature Controller

P/Ns 700KT, 705KT, 720KT

Kits include a SAFE-HEET engine heater and a temperature controller. Use the temperature controller to make installation fast and easy!



Firewall Forward



Ground Fault Circuit Interrupter (GFCI)

P/N 709SK

Included with every SAFE-HEET is a Ground Fault Circuit Interrupter. 709SK is used to protect the SAFE-HEET and engine from any ground fault (insulation failure) situation. The 600 Watt Ground Fault Circuit Interrupter will open the circuit if more than 5 mA is detected not returning through the GFCI. This prevents lethal electrical shocks to the operator and electrical arcing between the engine and the heat pad. Insulation failure of the heat pad could be caused by lightning, electrical surge or mechanical damage. In some situations arcing between the heat pad and the engine pan could cause oil leakage and subsequent engine failure. Each GFCI is individually tested.

McFarlane's GFCI may be used with other brand engine heaters.



D A M™ Window Cleaner

Fast and easy aircraft window cleaner

This stuff is so D A M good we had to share it!

- Aircraft size 1.5 oz. P/N DAM17-1.5
- Hangar size 16 oz. P/N DAM17-16
- Refill size 1 Gallon P/N DAM17-GAL

A fast, streak-free liquid spray designed for acrylic and other surfaces. The carnauba wax and polymer formula fills minor scratches and leaves a slick clean surface that makes cleaning bugs easier next time.

- Liquid spray — no smeary paste
- No ammonia and only a harmless trace of alcohol
- Anti-static — repels dust
- Safe on all surfaces
- Amazing *Melt Away* cleaning power
- Economical — a little goes a long way
- Hazes off for a streak-free polish finish
- Improves visibility in the rain



Window Cotton Towels

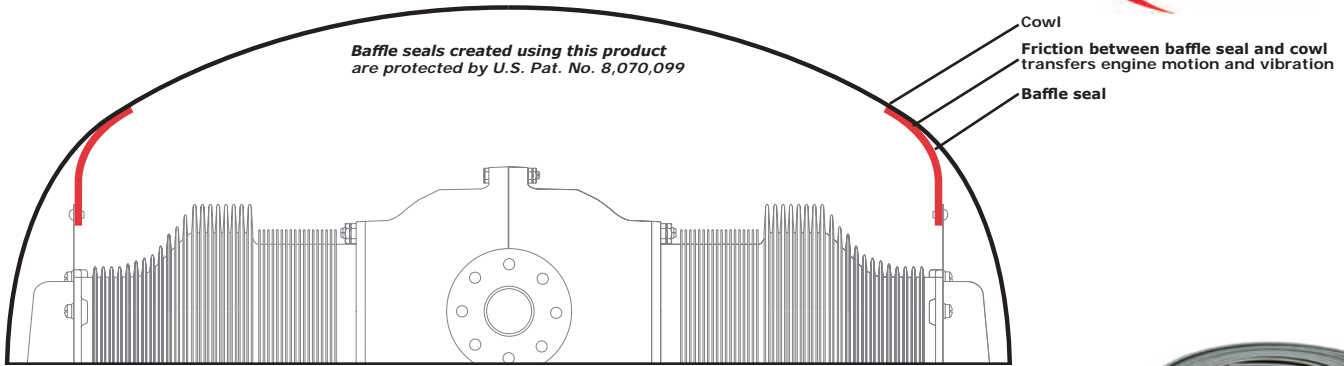
Stop scratching your window with paper towels!
You will love the results!

- Won't scratch
- Reusable for many cleanings, and cheap enough to throw away
- Available in convenient 5 or 20 packs

Part Number	Description	Size	Qty.
DAM17-1.5	Aircraft size	1.5 oz.	1
DAM17-1.5C	Aircraft size	Case	14
DAM17-16	Hangar size	16 oz.	1
DAM17-16C	Hangar size	Case	12
DAM17-GAL	Refill size	Gallon	1
DAM17-GALC	Refill size	Gallon	4
Complete Window Cleaning Kit			
DAM17-KIT	Aircraft size	1.5 oz.	1
	Hangar size	16 oz.	1
	Cotton towels		5
DAM17-GAL-KIT	Refill size	Gallon	1
	Aircraft size	1.5 oz.	3
	Hangar size	16 oz.	3
Towels			
AC1212-5	Cotton towels		5
AC1212-20	Cotton towels		20

Cowl Saver™ Baffle Seal Material with Bi-Flex™ Technology

Reduce Airframe Vibration, Stop Cowl and Firewall Cracks
 You can feel the difference in the cockpit!



Baffle Seal Friction Causes Airframe Vibration and Destroys Cowls

Typical silicone rubber baffle seals have a coefficient of friction among the highest of any known material. This friction transfers engine vibration into your cowl and firewall causing fastener fretting, fatigue, cracking, chaffing and airframe vibration.

Cowl Saver™ Baffle Seal Material has 30 Times Less Friction!

- One side is silicone and the other is a low friction Teflon coated rubber unique to the patented Cowl Saver™ baffle seal material
- Cowl Saver™ dramatically reduces the friction between your cowl and baffle seals
- Half of the engine vibration you feel in the cockpit is from baffle seal transfer

Low Friction Saves You Money!

- Reduces transfer of vibration to the engine cowl and airframe
- Eliminates cowl erosion
- Extends baffle seal life
- Reduces expensive cowl and cowl fastener repairs
- Reduces fatigue and cracking in baffles, cowl skins and firewall
- The cowling even goes on easier!

Unbeatable Performance

- Ideal balance of flexibility and stiffness
- Fiberglass reinforced
- Meets industry standard AMS3320G
- McFarlane quality you can count on!



You will feel the difference! Satisfaction **GUARANTEED!**

36-month Money-back Guarantee!



Bi-Flex™ Technology

The three inch rolls of Cowl Saver™ material are available with a precision laser engraved flex pattern to ensure an optimum flexibility/stiffness combination for maximum cooling and minimum friction. The flex pattern covers slightly less than half the width of the material.

See page 75 for more details.

Convenient Baffle Seal Repair Kits

Kit P/N BAFFLE-KIT-1BF with Bi-Flex™		
1	CS085X3X108GBF	3 in X 108 in (9ft) Cowl Saver™ with Bi-Flex™
1	RIVET-KIT-2	Baffle Seal Rivet Kit
10	6036-012	Baffle Seal Retainer Strips
Best for small aircraft with straight baffle seals		
Kit P/N BAFFLE-KIT-2		
1	CS085X18X36G	18 in X 36 in (3ft) Cowl Saver™
2	RIVET-KIT-2	Baffle Seal Rivet Kit
20	6036-012	Baffle Seal Retainer Strips
Recommended for most aircraft. Allows fabrication of straight, curved or irregular shaped baffle seals.		
Kit P/N BAFFLE-KIT-3BF with Bi-Flex™		
1	CS085X3X156GBF	3 in X 156 in (13ft) Cowl Saver™ with Bi-Flex™
1	RIVET-KIT-2	Baffle Seal Rivet Kit
14	6036-012	Baffle Seal Retainer Strips
Best for aircraft with straight baffle seals		

Cowl Saver™ Baffle Seal Material

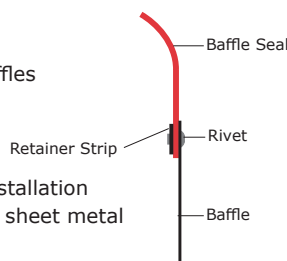
P/N	Thickness	Size
CS085X3X36GBF	.085 in	3 in wide, sold in 3 ft MOQ with Bi-Flex™
CS085X18X36G	.085 in	18 in X 36 in (3 ft)
CS085X36X36G	.085 in	36 in X 36 in (3 ft)
CS085X3X108GBF	.085 in	3 in X 108 in (9 ft) with Bi-Flex™
CS085X3X156GBF	.085 in	3 in X 156 in (13 ft) with Bi-Flex™
Color: Black/Gray		

Baffle Seal Retainer Strip

P/N 6036-012

Use as a retainer for riveting baffle seals to baffles

- .050 inch thick 6061-T6 aluminum
- Corrosion resistant
- Economical
- 7/16" X 12" strips - cut to length during installation
- Clamps better than washers or light gauge sheet metal



Baffle Seal Rivet Kit

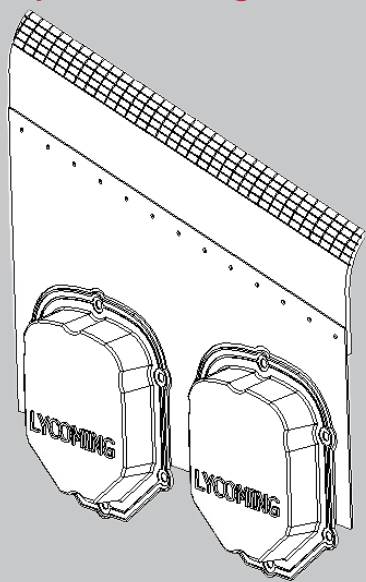
P/N RIVET-KIT-2

- Soft rivets that won't deform baffles
- Several sizes for various baffle thicknesses and hole sizes

RIVET-KIT-2	
Qty	Rivet P/N
100	MS20470A3-5
100	MS20470A4-5
100	MS20470A4-6
Rivets included are approximate	



Customizable Flexibility for Optimal Cooling



Cowl Saver™ engine baffle seal material can be customized to be extremely flexible for a perfect seal where it contacts the cowl and rigid elsewhere to prevent the seal from blowing past the cowl contact line. With other baffle seal materials, you must compromise and make a choice: either use material that is rigid enough to not blow past the cowl contact line, or use a material that is flexible enough to blend to the intricate contours of the engine cowl to ensure a good seal. Either choice results in less than optimal engine cooling. With Cowl Saver™ baffle seal material you no longer have to compromise.

Flexibility can be customized to only the areas of the baffle seal that you want it.

Cowl Saver™ material has a layer of black Teflon (clear for older material) bonded to a flexible reinforced silicone rubber base. In addition to low friction, the Teflon also gives the laminate the solid stiffness needed near

the engine baffle to prevent the seal from blowing past the cowl contact line. This extra stiffness, however, is not always desirable in the area that the material seals against the contours of the cowl.

Where extra flexibility is needed to make a good air seal, the black Teflon layer can simply be scored in a cross hatch, diagonal or parallel line pattern.

With care, a normal razor blade may be used, or McFarlane P/N TOOL120 may be used for more efficiency and greater control of cutting depth. Alternatively for relatively straight sections, three inch wide rolls of Cowl Saver™ material with Bi-Flex™ technology may be used.

For Bi-Flex™ Material with a precision laser engraved flex pattern, see page 74.



3 inch roll with Bi-Flex™ P/N CS085X3X108GBF

The extreme bond of the Teflon layer is not affected by the scoring. The score line spacing and the extent of the score pattern control the amount of flexibility. The score line orientation and the type of pattern control the direction(s) of flexibility. Score patterns as small as 1/8 inch form little islands of friction free Teflon that has shown good durability while providing the extreme flexibility of soft silicone rubber. This customization can be performed when doing a new baffle seal installation or to perfect the fit and seal of an existing installation. As long as care is taken to just score the Teflon layer and as little of the silicone as possible (do not cut the fiberglass reinforcing layer), the material will still meet the original AMS3306 specification to which it was certified.

Cowl Saver™ Scoring Tool Customize Your Baffle Seal Flexibility for Optimal Cooling!

P/N TOOL120



Only for use on the Teflon side of Cowl Saver™ baffle seal material

Customize Cowl Saver™ engine baffle seal material to be extremely flexible for a perfect seal where it contacts the cowl and rigid elsewhere to prevent the seal from blowing past the cowl contact line.

This unique tool has 3 circular razor blades spaced 0.16" apart and makes it fast and easy to score the stiffer outer layer of the Cowl Saver™ material where more flexibility is required. The spacers also precisely control the depth of the cuts to help prevent damage to the material.

- You control the amount of flexibility.
- Use on a new baffle seal installation or to perfect the fit and seal of an existing installation.
- Material still meets the original AMS3306 specification to which it was certified as long as the fiberglass reinforcing layer has not been cut.
- Replacement blade kit also available (P/N TOOL120-BKT)



Baffle Seals and Cowl Saver™ Kits for Cessna 172Q, R and S Models

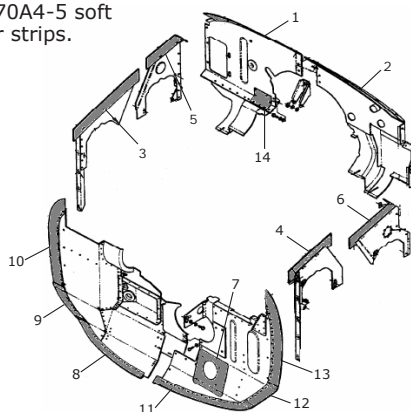
Reduce airframe vibration and stop cowl and firewall cracks with a complete Cowl Saver™ kit!

U.S. Patent No. 8,070,099

- Cut to fit. Saves time.
- Low friction for reduced transfer of engine vibration
- Kit includes all required baffle seals, MS20470A4-5 soft rivets, and McFarlane P/N 6036-012 retainer strips.
- Individual baffle seals also available

FAA-PMA Approved!

Save!



Now with Bi-Flex™ Technology!

Precision laser engraved flex pattern ensures optimum flexibility/stiffness combination for maximum cooling and minimum friction.



Part Number	Idx	Aircraft	Location
BSC-KT-1		172R, S	Baffle Seal Kit
MC0509069-4	1	172R, S	Right Aft
MC0509070-4	2	172Q,R,S	Left Aft
MC0509071-2	3	172Q,R,S	Cylinder 1 Right Forward
MC0509072-4	4	172Q,R,S	Cylinder 2 Left Forward
MC0509073-6	5	172R,S	Cylinder 3 Right Aft
MC0509074-2	6	172Q,R,S	Cylinder 4 Left Aft
MC0509079-2	7	172R,S	Air Intake for Heat Muff
MC055250-17	8	172R,S	Forward Right Lower
MC055250-18	9	172R,S	Forward Right Middle
MC055250-19	10	172R,S	Forward Right Upper
MC055259-25	11	172R,S	Forward Left Lower
MC055259-26	12	172R,S	Forward Left Middle
MC055259-27	13	172R,S	Forward Left Upper
MC2455076-1	14	172R,S	Right Aft Sub Panel

Firewall Forward

PROP GUARD

P/N FP1001 for two blades (65")
 P/N CS1002 for three blades (92")

Anti-abrasion Boot for your metal propeller!

It is more economical to protect your propeller blades with PROP GUARD than to continually file, dress, paint and balance your blades until they have to be replaced. Water, sand, rock, and airborne abrasives are constantly eroding your propeller. As the name suggests, this product can eliminate this destructive process.

Virtually all propeller blade failures start as leading edge nicks.

- PROP GUARD is a .014" thick clear anti-abrasion boot that is bonded to the leading edge of the propeller
- PROP GUARD is made from a special high strength heat processed polymer engineered for centrifugal loads. It's NOT just a piece of tape!
- Easy to install (approximately 20 minutes installation time)
- No performance loss
- Fully tested
- Repairable
- FAA-PMA/STC approved (minor alteration, no form 337 required)

Complete Kit contains:

PROP GUARD boot for a two or three bladed propeller, adhesion accelerator PN 32965-1, placard, lint-free cotton cloth, complete installation instructions and a copy of the STC.

Repair Kits

P/N PG-KT-R12 for 12 inches of material
 P/N PG-KT-R24 for 24 inches of material

Two convenient repair kits are also now available to allow repair of existing PROP GUARD installations. Each repair kit includes a short length of PROP GUARD boot material, adhesion accelerator, lint-free cotton cloth, a spreader, and complete installation instructions.

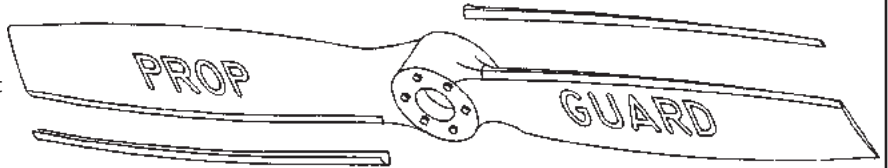
PROP GUARD Installation Tool

Saves time and makes installation easier!

P/N TOOL125



This rubber coated roller makes working air bubbles out during installation easier than using the spatula included with the PROP GUARD kits. The rubber conforms to the shape of the propeller, and the rolling action allows you to press harder to eliminate small air bubbles. It is recommended for customers who may be installing more than one PROP GUARD or those who just want to make the job faster and easier.



Engine Mount Heat Shield for 206, 207 and 210 Cessna Aircraft

Improved heat protection!

1 each P/N AF1250918-2
 4 each P/N KIT AF1250918-2

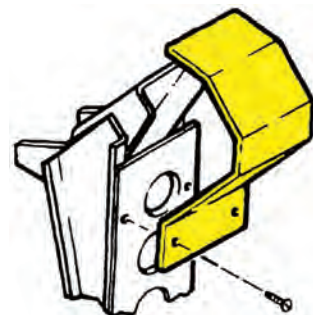


The aluminum construction of the heat shields absorbs less heat than steel, and a Cerakote polymer-ceramic coating on one side inhibits heat transfer to the flexible isolators.

- Extends engine mount life
- Direct replacement for Cessna P/N 1250918-2
- FAA-PMA

SAVE \$\$\$
Buy all four
and save more!

Aircraft Model
U206A,B,C,D,E,F
P206A,B,C,D,E
TU206A,B,C,D,E,F
TP206A,B,C,D,E
207, 207A, T207, T207A
210G,H,K,L,M,N,R
T210G,H,J,K,L,M,N,R
P210N



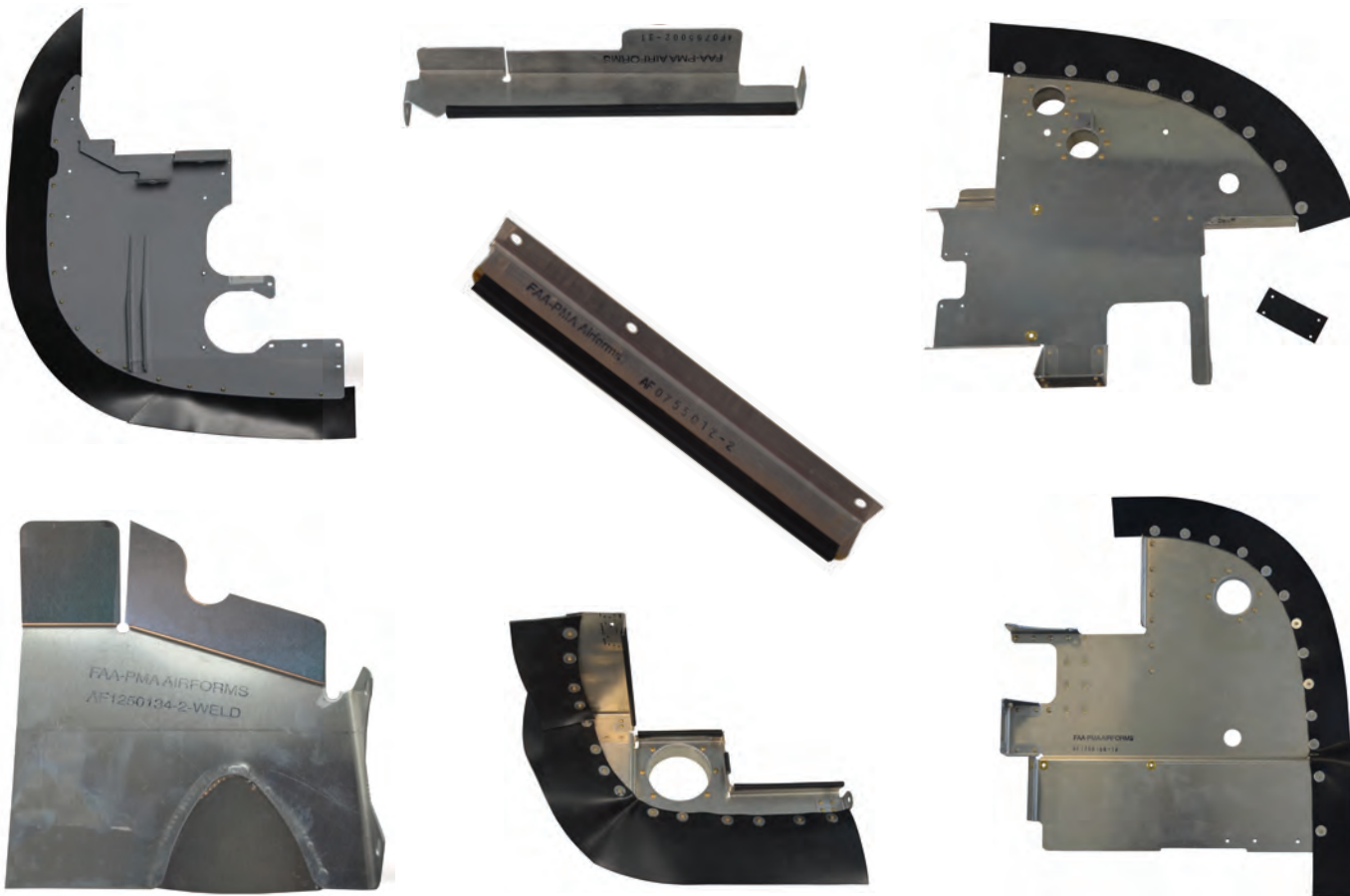
Manufactured by Airforms Inc.

Airforms Complete FAA-PMA Product Line

Airforms is located in the heart of the Alaskan aviation scene. Their products are developed from real world needs of experienced Alaskan bush pilots and operators. All Airforms parts are manufactured using state-of-the-art CAD/CAM technology and CNC equipment combined with exemplary craftsmanship to provide the highest quality product.

*Stock in the lower
48 states for
fast, economical delivery!*

Alaska Bush Tough!



Complete Engine Baffle Kits

Keep your engine cool with new baffle kits!
Airforms is the premier manufacturer of FAA-PMA replacement baffle kits for Cessna, Piper and the Beechcraft Baron.

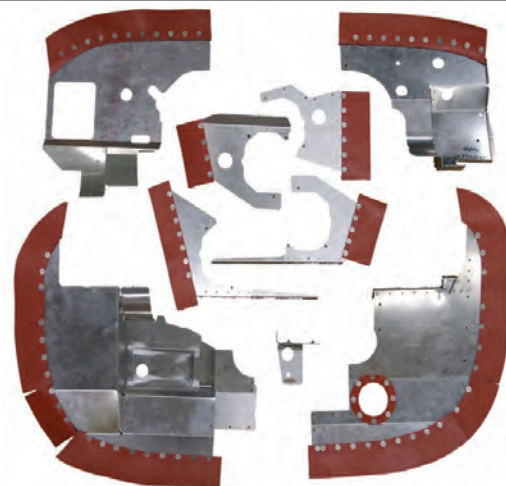
- 6061-T6 aluminum with black high temperature fiberglass reinforced silicone seals pre-installed (orange or blue seals available as special order for an extra charge)
- Bare aluminum or gray powder coat finish
- Individually interchangeable with factory baffles

Many Improvements:

- Stainless steel brackets where needed
- Hard rivet construction
- 1/2" back plates to secure seals
- Improved fit

Notes:

- If aftermarket components (starter, alternator, exhaust, engine mod, etc) have been installed it is the installer's responsibility to adjust baffles to fit.
- Mounting hardware is not included (nuts, bolts, screws, Tinnerman clips, etc).



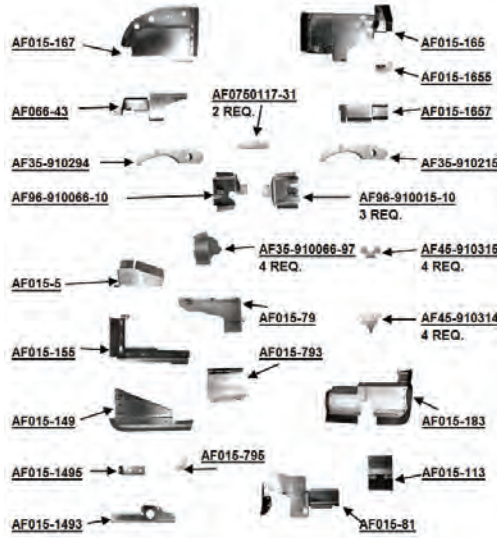
See eligibility and figures on the following pages

Eligibility for Airforms Engine Baffle Kits				
Aircraft Model	Serial Number	Bare Aluminum P/N	Powder Coat P/N	Figure
Beechcraft				
95-B55	TC-1386 thru TC-2002	B9555-BRBK	B9555-PCBK	1
Cessna				
120/140	All	C120140-BRBK	C120140-PCBK	N/A
150D,E,F,G,H,J,K	All	C150-6470BRBK	C150-6470PCBK	2
150L,M, A150L,M, FA150L	All	C150-7177BRBK	C150-7177PCBK	3
152 ¹	15279406 thru 15283591	C152-7879BRBK	C152-7879PCBK	4
A152 ¹	A1520735 thru A1520878			
F152 ¹	F15201429 thru F15201673			
FA152 ¹	FA1520337 thru FA1520357			
152 ¹	15283592 thru 15285594	C152-8082BRBK	C152-8082PCBK	4
A152 ¹	A1520879 thru A1521014			
F152 ¹	F15201674 thru F15201928			
FA152 ¹	FA1520358 thru FA1520382			
170A,B ^{1,2}	18730 thru 25372	C170A-4952BRPS	C170A-4952PCPS	5
170B ¹	25373 and On	C170B172-BRBK	C170B172-PCBK	6
172 ^{1,4}	28000-36965	C172IKL68-M73-BRBK	C172IKL68-M73-PCBK	7
172I,K,L,M ¹	17256513 thru 17261898			
F172L,M ¹	F17200805 thru F17201034	C172M-7476BRBK	C172M-7476PCBK	8
172M ¹	17261899 thru 17267584			
F172M ¹	F17201035 thru F17201514	C172N-77795BRBK ³	C172N-77795PCBK	9
172N ¹	17267585 thru 17271953			
F172N ¹	F17201515 thru F17201909	C172N-79580BRBK ³	C172N-79580PCBK	10
172N ¹	17271954 thru 17274009			
F172N ¹	F17201910 thru F17202039	C172P-BRBK	C172P-PCBK	11
172P, F172P	All	N/A	C172R-9798PCBK	12
172R	17280001 thru 17280697	N/A	C172R-9904PCBK	13
172S	17280698 thru 17281233	N/A	C172S-98045PCBK	14
172S	172S8001 thru 172S9770	N/A	C172S-98045PCBK	14
172RG	172RG0001 thru 172RG0817 and 172RG0891 thru 172RG1191	C172RG-BRBK	C172RG-PCBK	15
177	All	C177-68BRBK	C177-68PCBK	16
177B	17701774 thru 17702123	C177-7374BRBK	C177-7374PCBK	17
177RG	177RG0593 thru 177RG1366	C177RG-7578BRBK	C177RG-7578PCBK	18
180, 180A,B,C,D,E,F,G,H,J,K 182A,B,C,D,E,F,G,H,J,K,L,M,N,P ¹	32151 and On 34755 thru 18262465	C180182-PKGA-BRBK ²	C180182-PKGA-PCBK ²	19
		C180182-PKGB-BRBK ²	C180182-PKGB-PCBK ²	
		C180182-PKGC-BRBK ²	C180182-PKGC-PCBK ²	
		C180182-PKGD-BRBK ²	C180182-PKGD-PCBK ²	
182P ¹	18262466 thru 18265175	C182-7476-PKGG-BRBK ²	C182-7476-PKGG-PCBK ²	20
F182P	F18200001 thru F18200025	C182-7476-PKGH-BRBK ²	C182-7476-PKGH-PCBK ²	
182Q,R F182Q	18265176 thru 18268615 F18200026 thru F18200169	C182-7786-PKGG-BRBK ²	C182-7786-PKGG-PCBK ²	21
		C182-7786-PKGH-BRBK ²	C182-7786-PKGH-PCBK ²	
185, 185A,B,C,D,E, A185E,F	All	C185-PKGJ-BRBK ²	C185-PKGJ-PCBK ²	22
		C185-PKGG-BRBK ²	C185-PKGG-PCBK ²	
206, U206A,B,C,D,E ¹	206-0001 thru U20601604	C206-64715-PKGE-BRBK ²	C206-64715-PKGE-PCBK ²	23
		C206-64715-PKGF-BRBK ²	C206-64715-PKGF-PCBK ²	
U206F ¹ , G	U20602200 thru U20607020	C206-64715-PKGI-BRBK ²	C206-64715-PKGI-PCBK ²	24
P206, P206A,B,C,D,E	ALL	CP206-BRBK ²	CP206-PCBK ²	23
207	20700001 thru 20700268	C207-6975-PKGE-BRBK ²	C207-6975-PKGE-PCBK ²	23
		C207-6975-PKGF-BRBK ²	C207-6975-PKGF-PCBK ²	
210K,L ¹	21059200 thru 21060089	C210-7073BRBK	C210-7073PCBK	25
210L ¹ ,M,N	21061040 thru 21064897	C210-7680BRBK	C210-7680PCBK	24
401, 401A,B, 402, 402A,B,C, 414, 414A	All	C402414-BRBK	C402414-PCBK	26
Grumman				
AA-5A	All	AA5A-BRBK	AA5A-PCBK	27
AA-5B	All	AA5B-BRBK	AA5B-PCBK	28
Mooney				
M20J	24-0001 thru 24-1623 and 24-1632 thru 24-3431	M20BRBK	M20JPCBK	29
Piper				
PA-18 "150"	1809001 thru 1809079, 18-3781 thru 18-8309025	PA18150-BRBK	PA18150-PCBK	30
PA-22-150	22-2425 thru 22-7630	PA22150-BRBK	PA22150-PCBK	31
PA-28-140	28-20002 thru 28-7125471	PA28140-64715BRBK	PA28140-64715PCBK	32
PA-28-161	All	PA28161-BRBK	PA28161-PCBK	33
PA-28-180	28-1761 thru 28-7205091	PA28180-65725BRBK	PA28180-65725PCBK	34
	28-7205092 thru 28-7505259	PA28180-72575BRBK	PA28180-72575PCBK	35
PA-28-181	28-8090001 thru 28-8690056	PA28181-2BRBK	PA28181-2PCBK	36
	28-8690061 and 28-8690062			
	2843001 thru 2843999	PA28181-3BRBK	PA28181-3PCBK	
PA-28-235	28-10003 thru 28-7210033	PA28235-BRBK	PA28235-PCBK	37
PA-28-236	All	PA28236-BRBK	PA28236-PCBK	38
PA-28R-200	28R-35001 thru 28R-35820 28R-7135001 thru 28R-7135229	PA28R200-BRBK	PA28R200-PCBK	39
PA-28R-201	All	PA28R201-BRBK	PA28R201-PCBK	40
PA-30	All	PA30-BRBK	PA30-PCBK	41
PA-31 (PA-31-310) ³	31-2 thru 31-822031	PA31310-BRBK	PA31310-PCBK	42
PA-31-325 ³	31-7512001 thru 31-8312019	PA31325350-BRBK	PA31325350-PCBK	43
PA-31-350, PA-31-350 (T1020) ³	31-7305001 thru 31-8553002			
PA-32-260	32-1 thru 32-1033	PA32260-6568.5BRBK	PA32260-6568.5PCBK	44
	32-1034 thru 32-7800008	PA32260-68.578BRBK	PA32260-68.578PCBK	
PA-32-300	32-7640072 thru 32-7940290	PA32300-BRBK	PA32300-PCBK	45
PA-44-180	All	PA44180-BRBK	PA44180-PCBK	46

Notes: All kits are available with black, blue or orange seals. Part numbers listed contain black seals. To purchase a kit with blue or orange seals use the following suffix:
 BRBL (Bare Aluminum Blue Seals), BROR (Bare Aluminum Orange Seals), PCBL (Powder Coat Blue Seals), PCOR (Powder Coat Orange Seals).
¹ Partial model eligibility ² To determine the part number required see oil cooler configuration with applicable figure.
³ Baffle kits and components have received Alternative Method Of Compliance (AMOC) from the FAA for AD 93-23-13. Mandatory 50 hour inspection is no longer required.
⁴ P/N AF0550165-2 and AF0550165-6 are available in black only.
⁵ There is some overlap with the baffle design in these serial number ranges. See figures 9 and 10 to determine required part number.
⁶ Baffle seals are available in black only.

See figures on following pages

Figure 1



Not all repetitive parts are shown

Figure 2

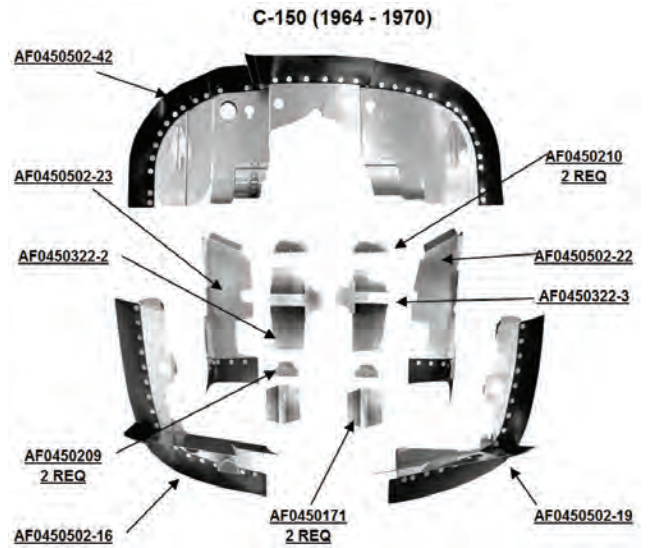


Figure 3

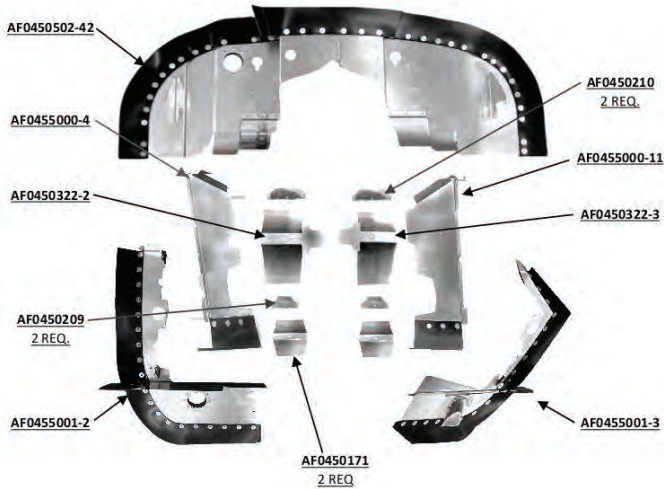


Figure 4

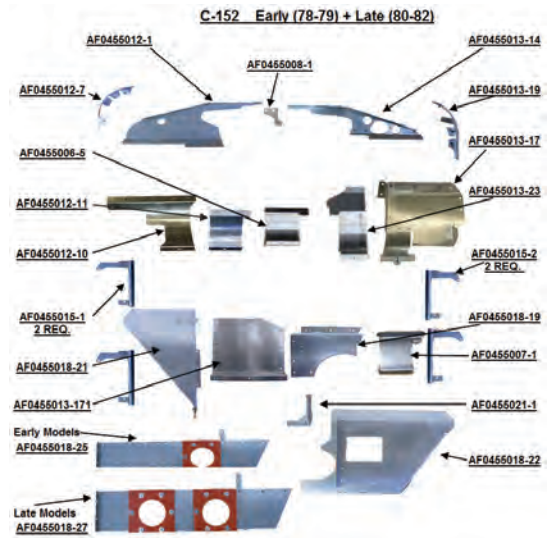
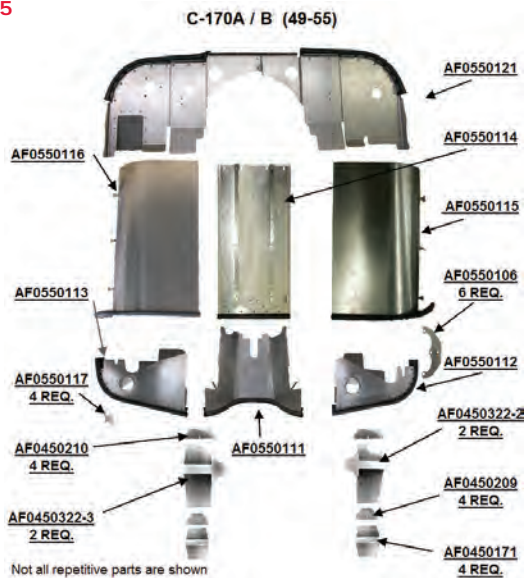
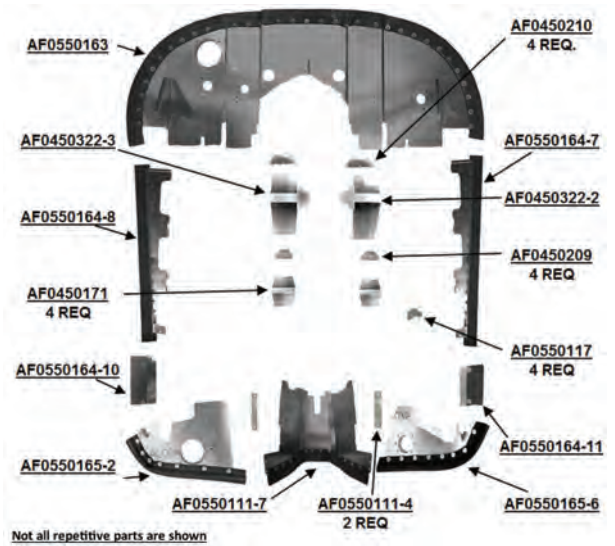


Figure 5



Not all repetitive parts are shown

Figure 6



Not all repetitive parts are shown

Figure 7

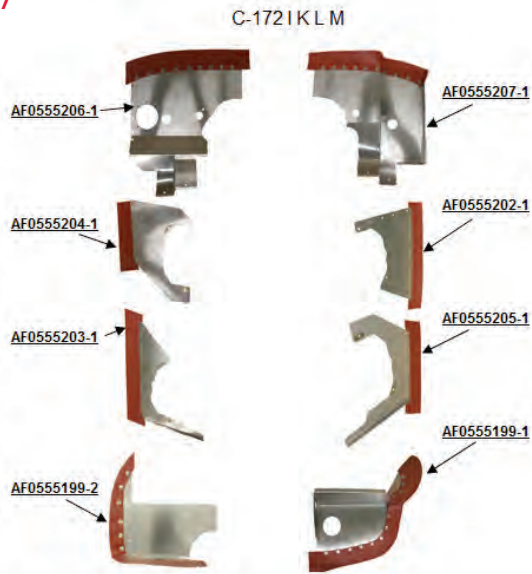


Figure 8

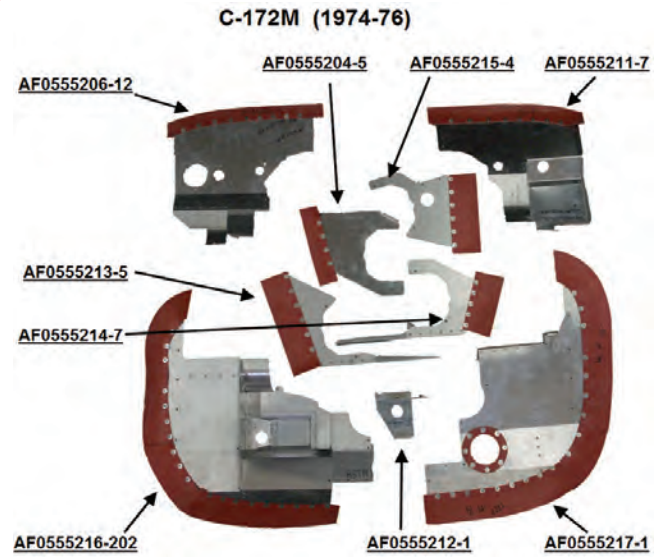


Figure 9

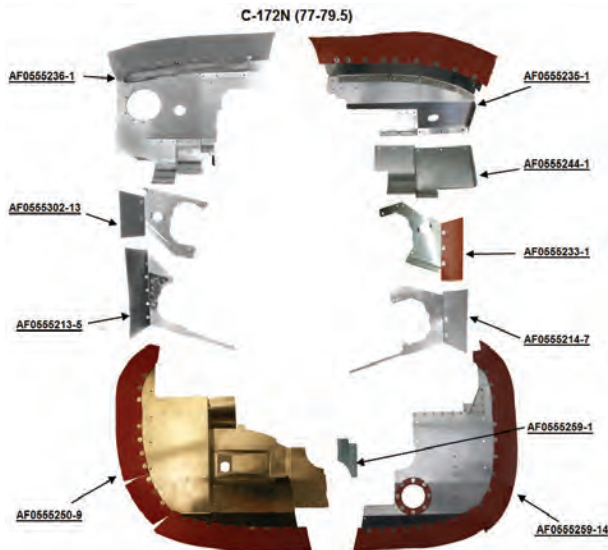


Figure 10

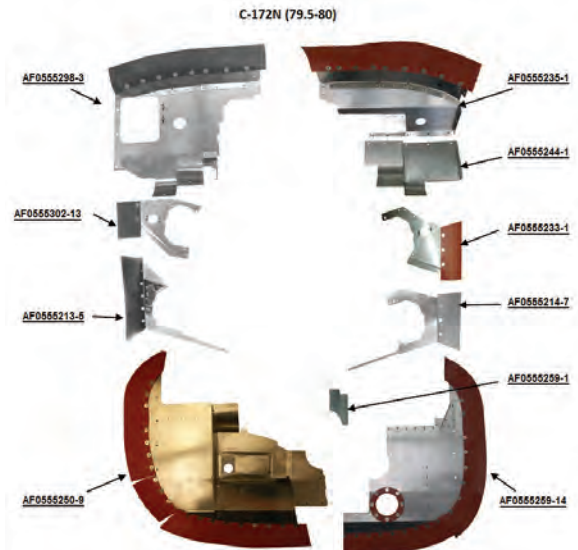


Figure 11

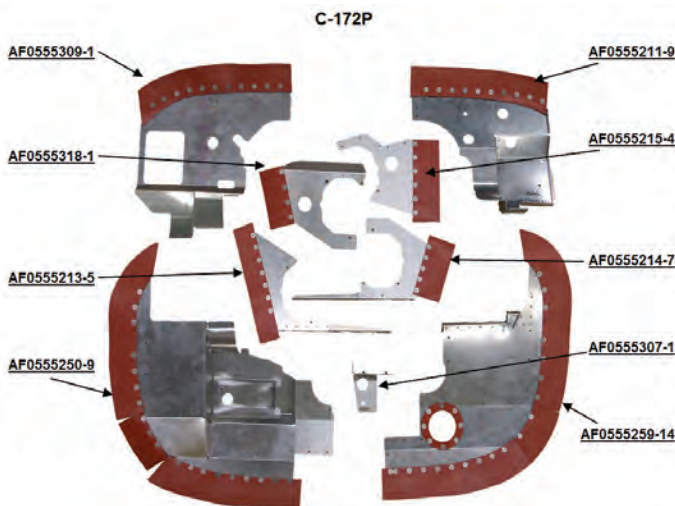


Figure 12

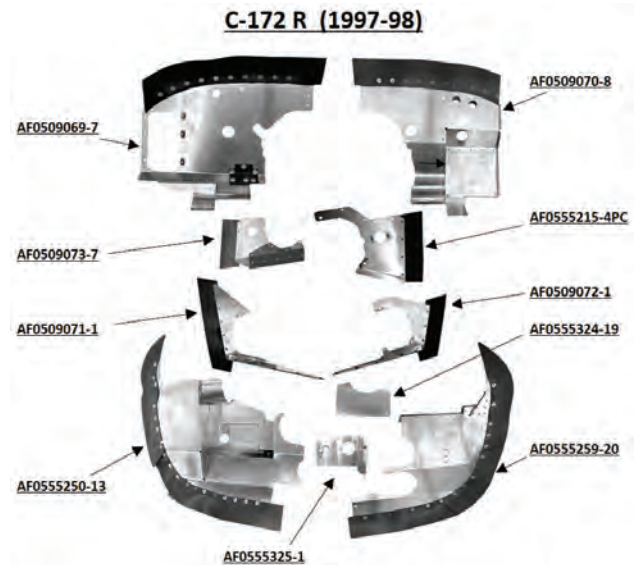


Figure 13

C-172 R (1999-04)

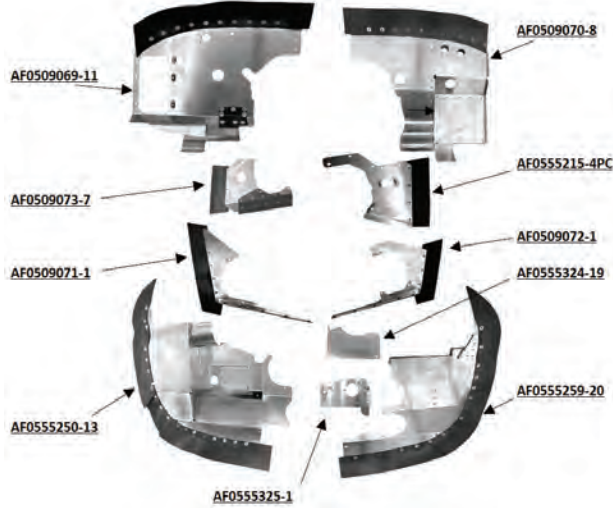


Figure 14

C-172 S

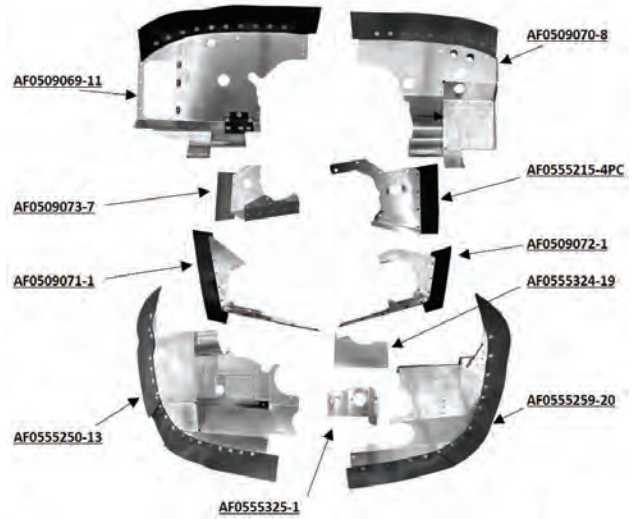


Figure 15

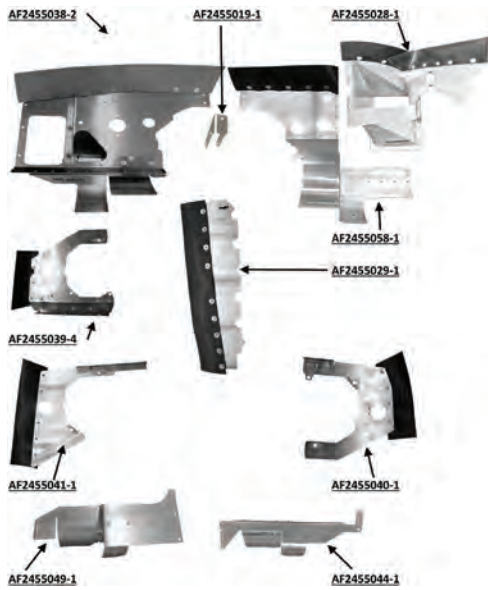


Figure 16

C-177 (68)

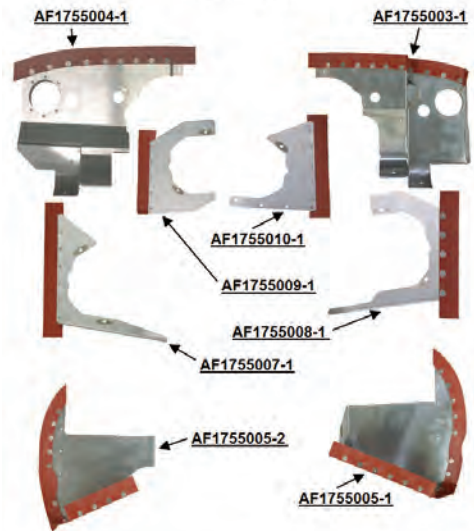


Figure 17

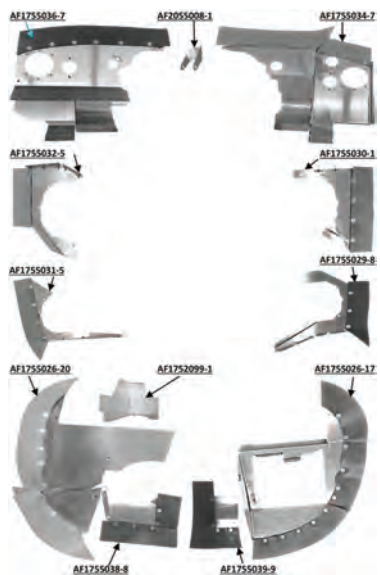
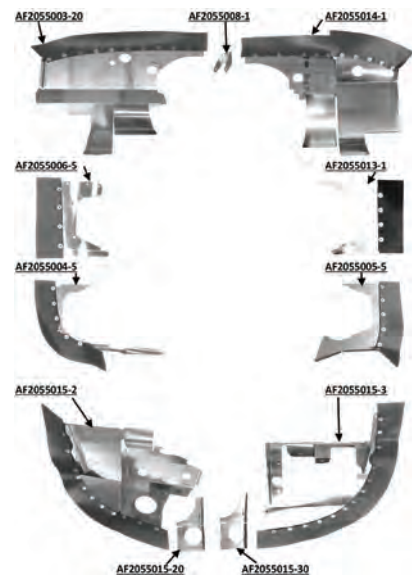


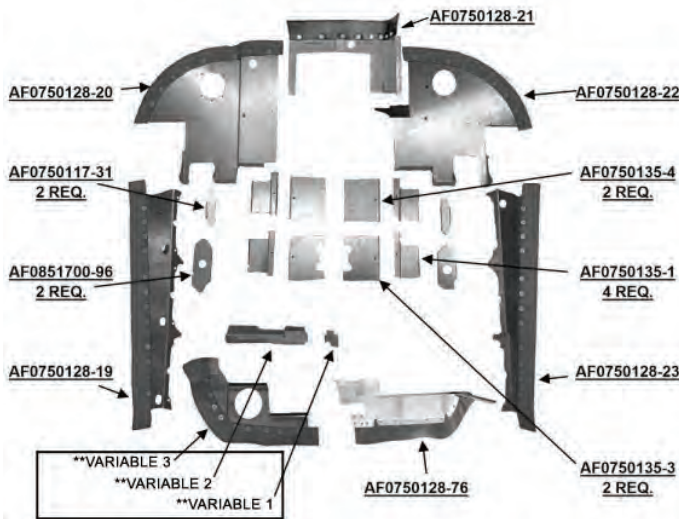
Figure 18



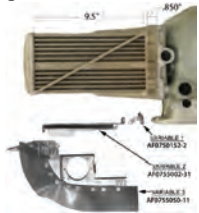
Firewall Forward

Figure 19

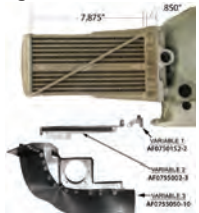
C-180(56-81)
C-182(58-73)



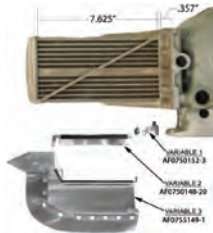
Package A



Package B



Package C



Package D

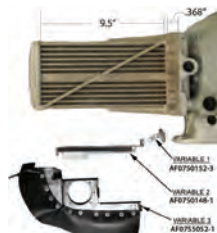
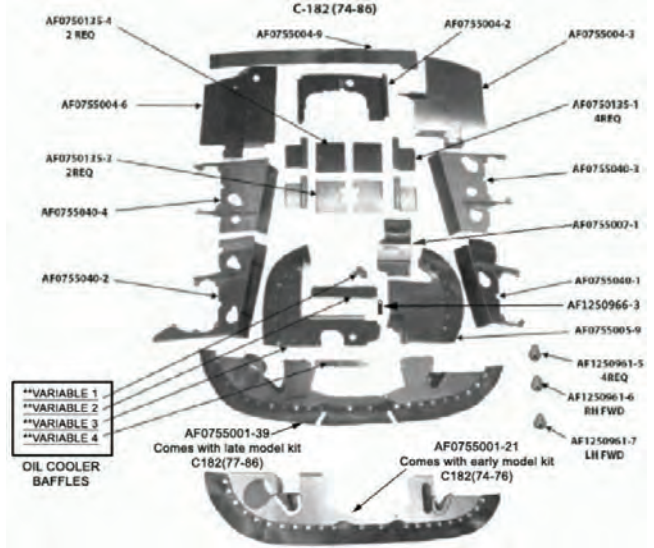
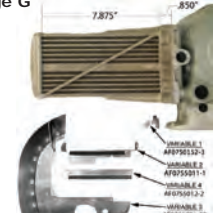


Figure 20



Package G



Package H

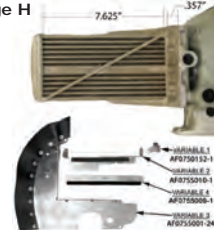
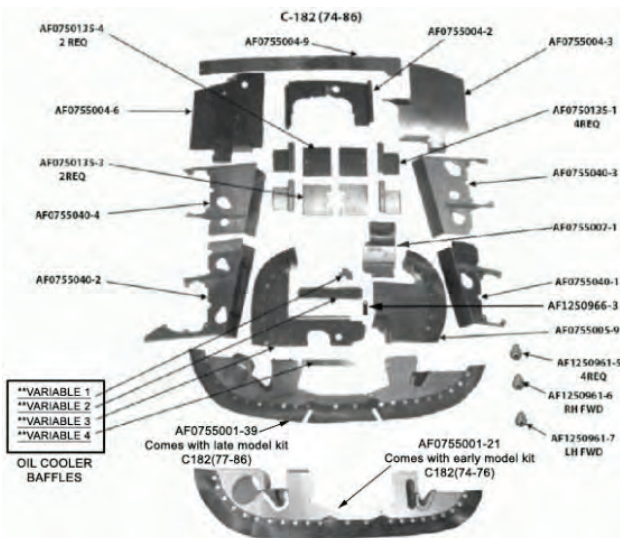
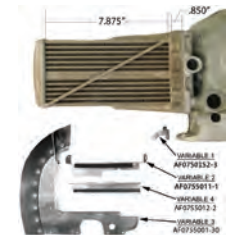


Figure 21



Package G



Package H

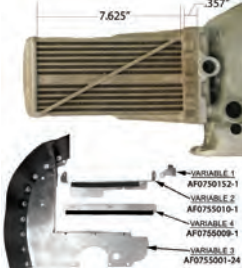


Figure 22

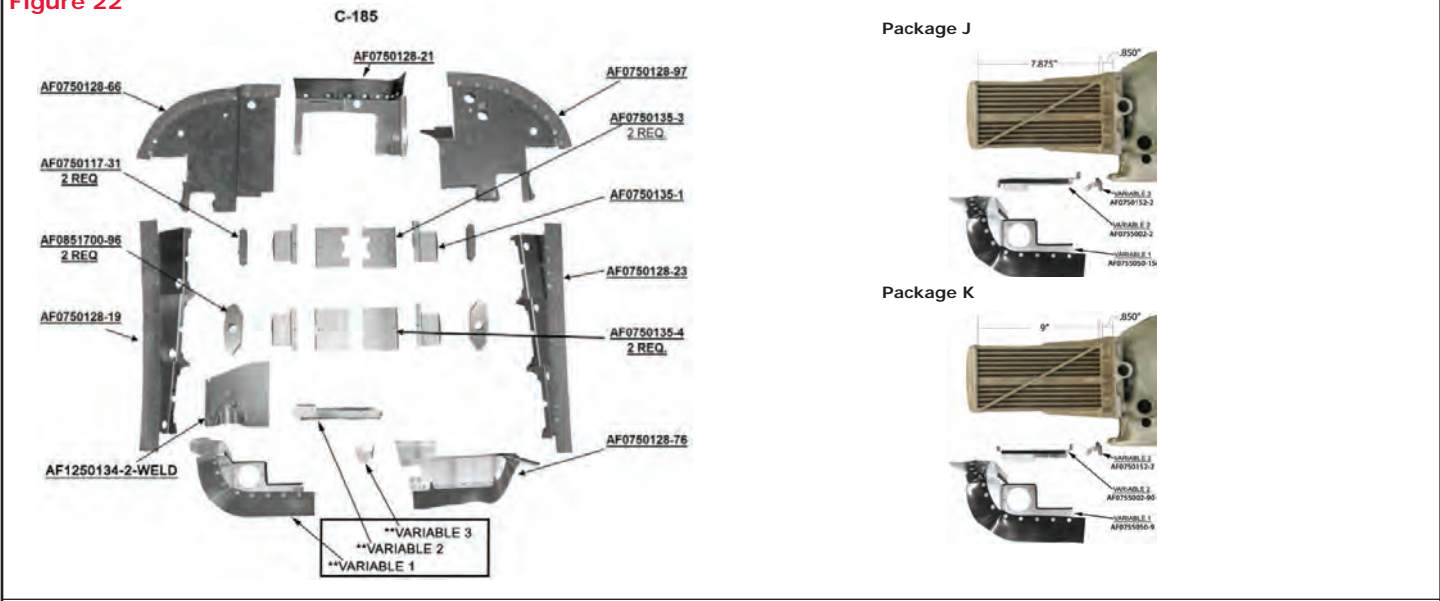


Figure 23

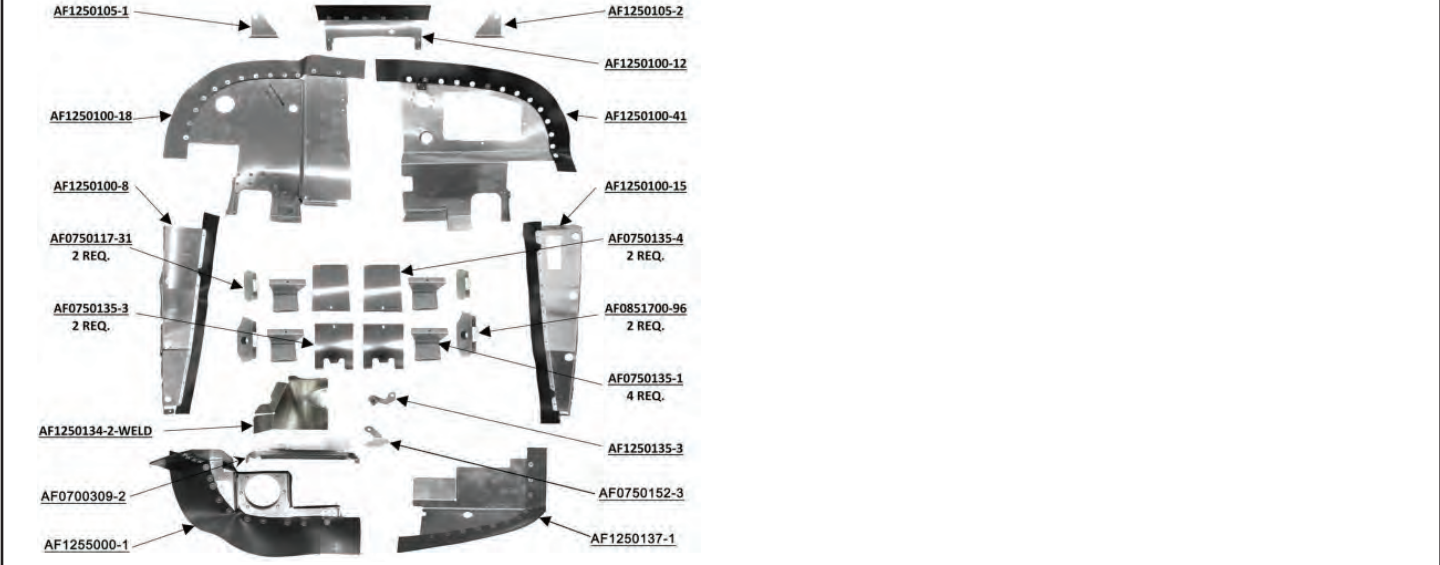


Figure 24

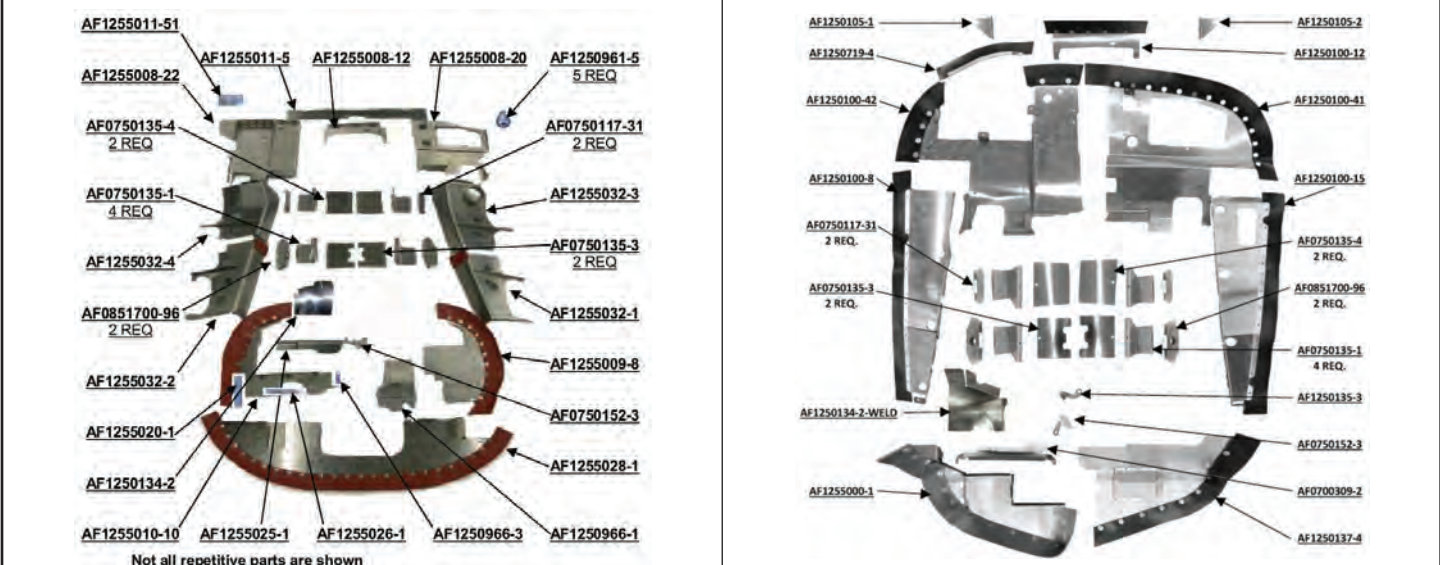


Figure 25

Figure 26

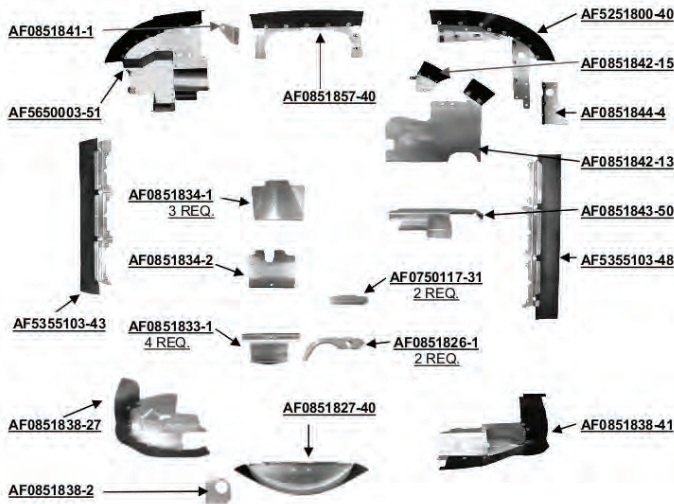


Figure 27

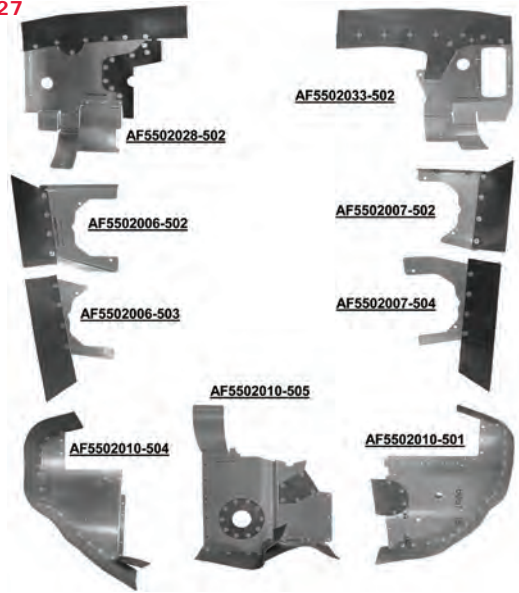


Figure 28

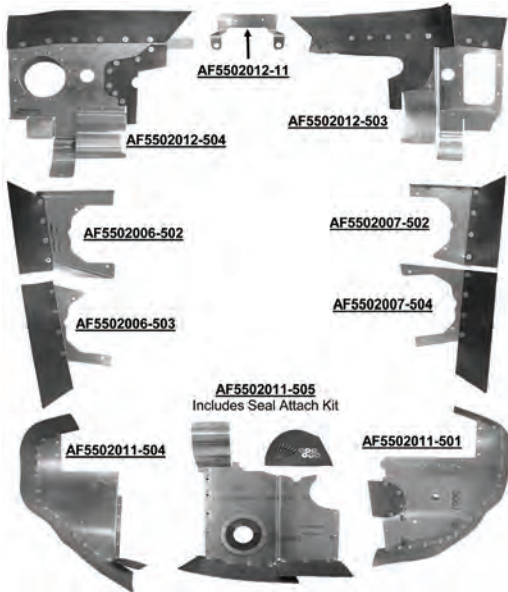


Figure 29



Figure 30

PA-18-150

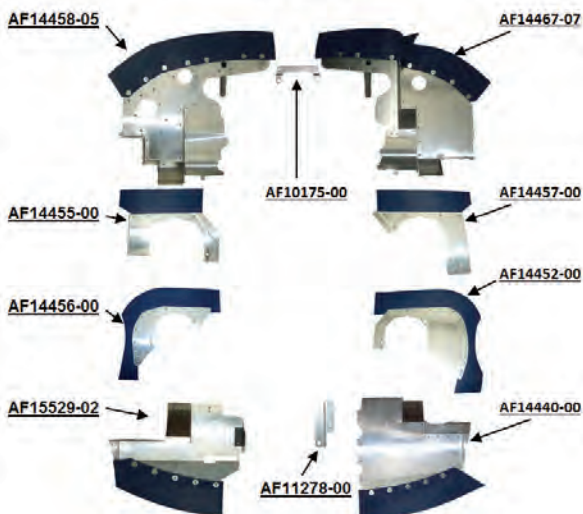


Figure 31

PA-22-150

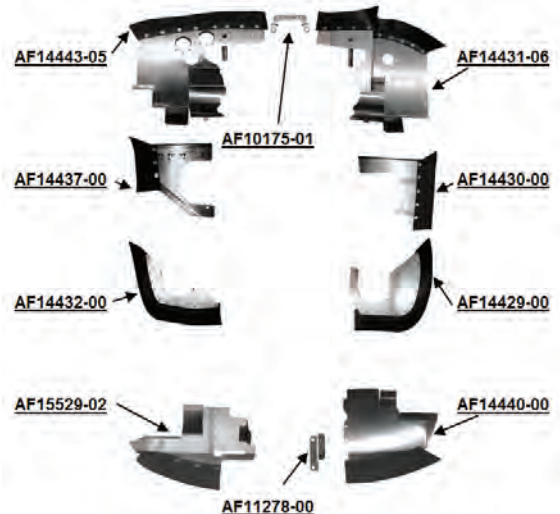


Figure 32

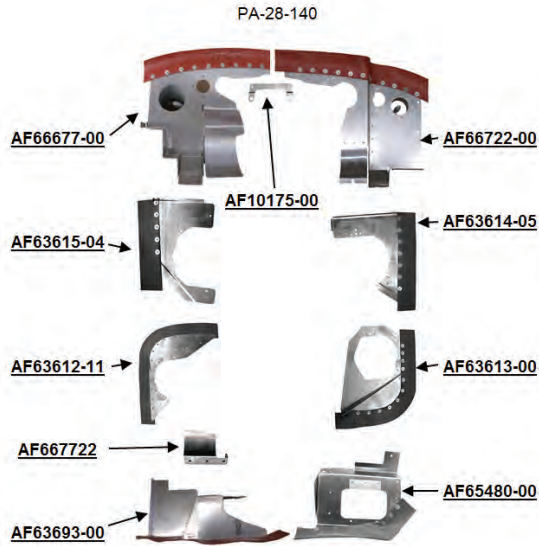


Figure 33

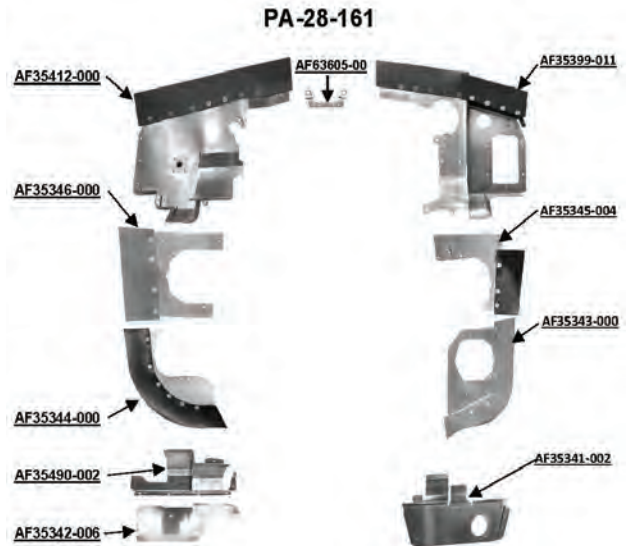


Figure 34

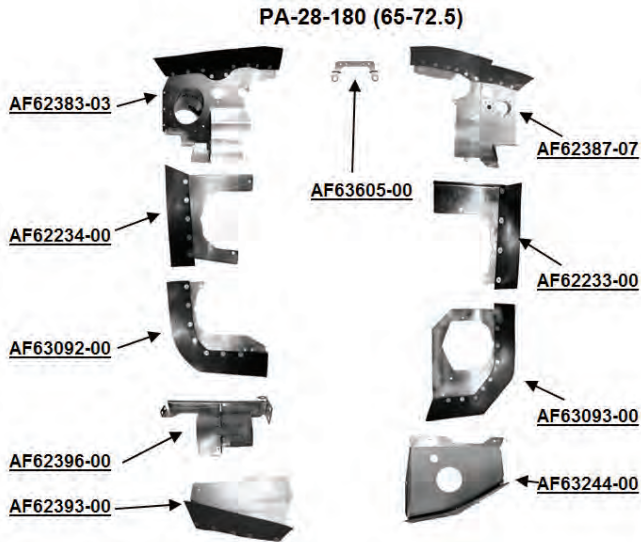


Figure 35

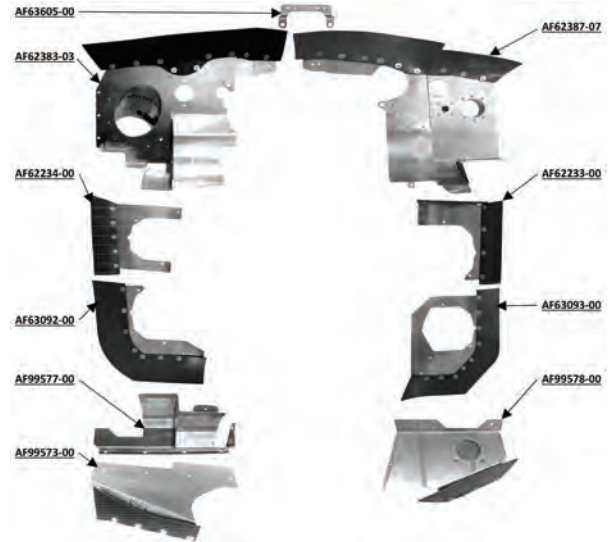


Figure 36

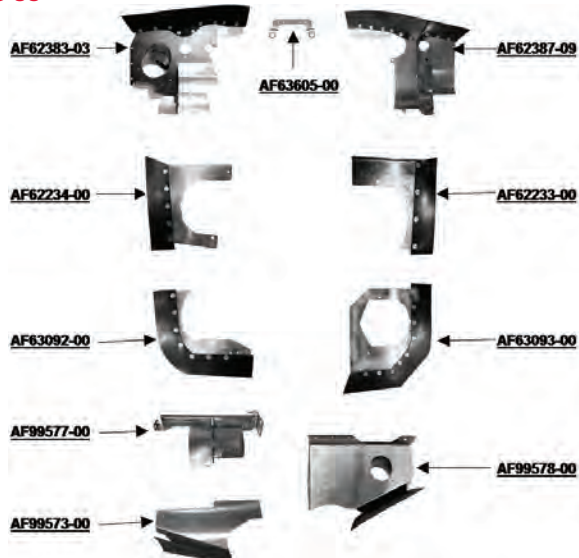
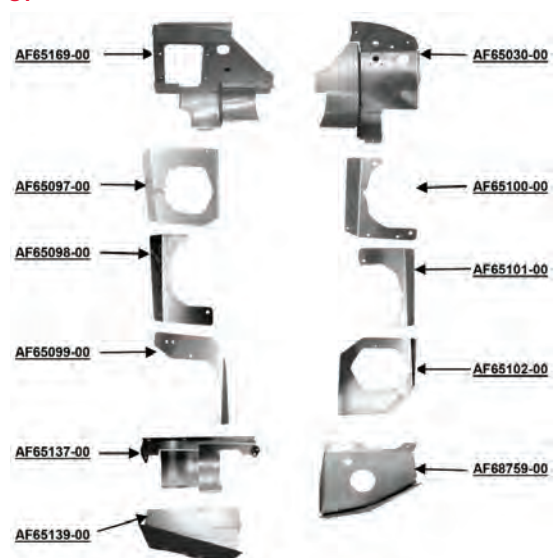


Figure 37



Firewall Forward

Firewall Forward

Figure 38

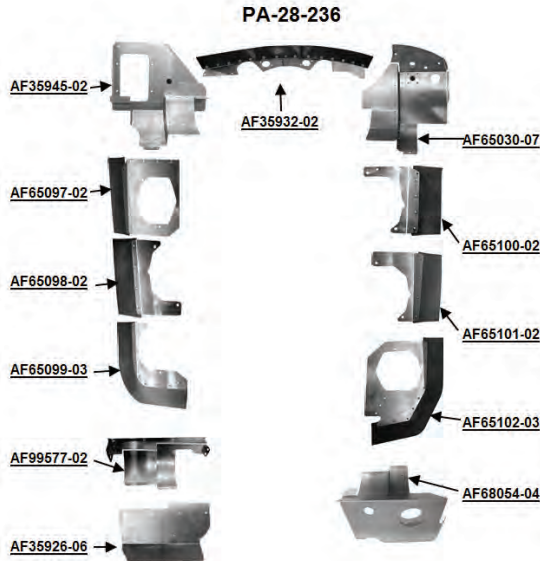


Figure 39

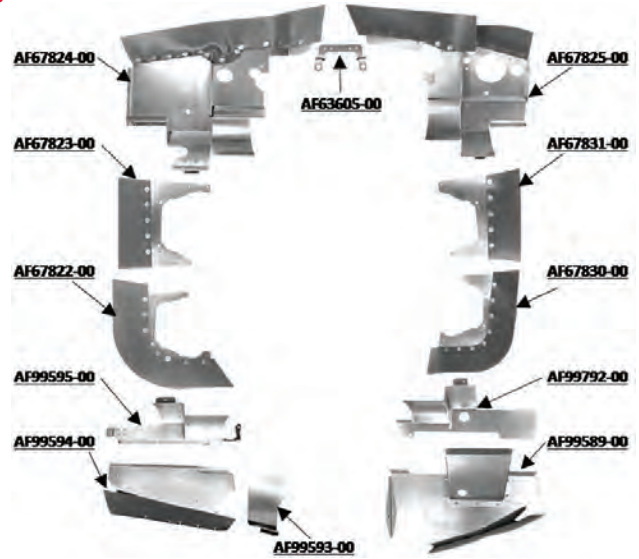


Figure 40

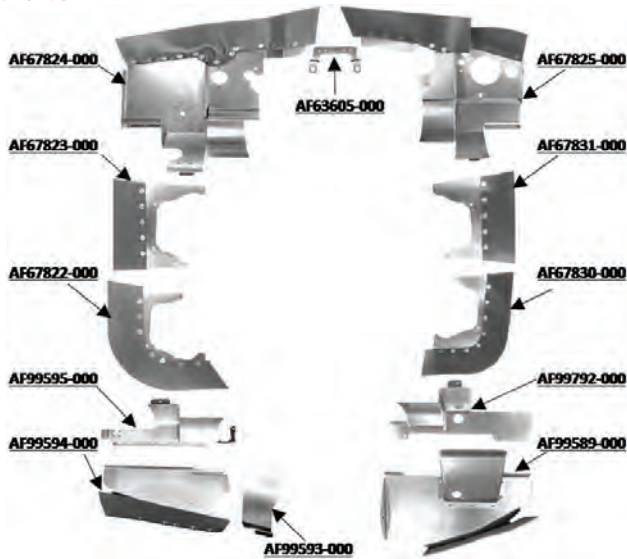


Figure 41

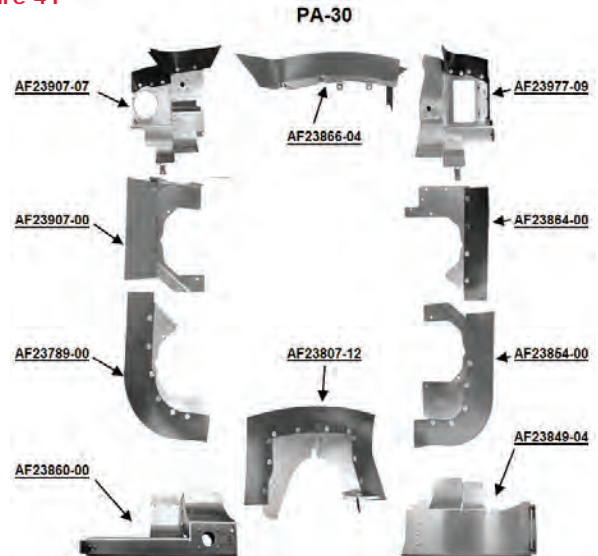


Figure 42

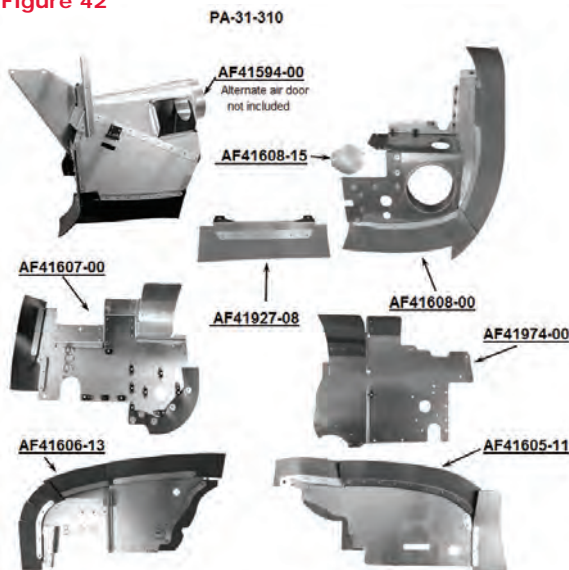
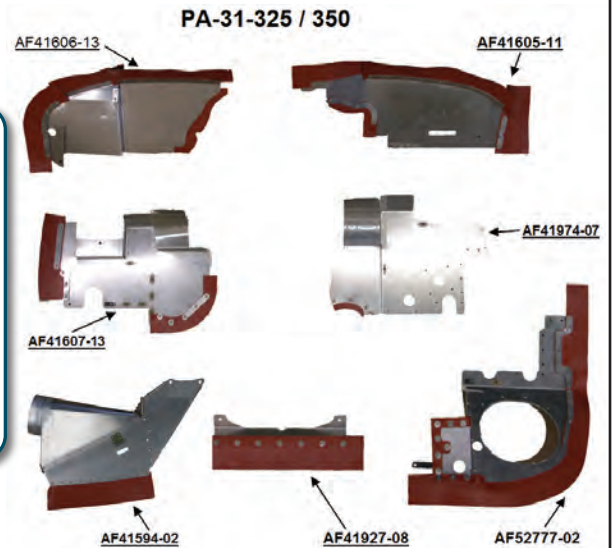


Figure 43



Baffle kits and components for models PA-31 (PA-31-310), PA-31-325 and PA-31-350 have received Alternative Method Of Compliance (AMOC) from the FAA for AD 93-23-13. Mandatory 50 hour inspection is no longer required.

Figure 44

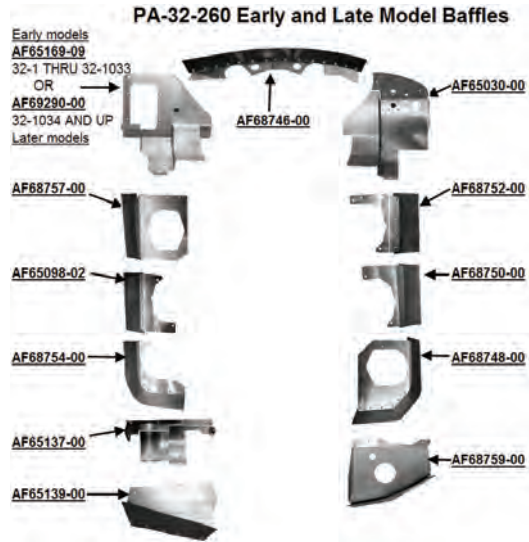


Figure 45

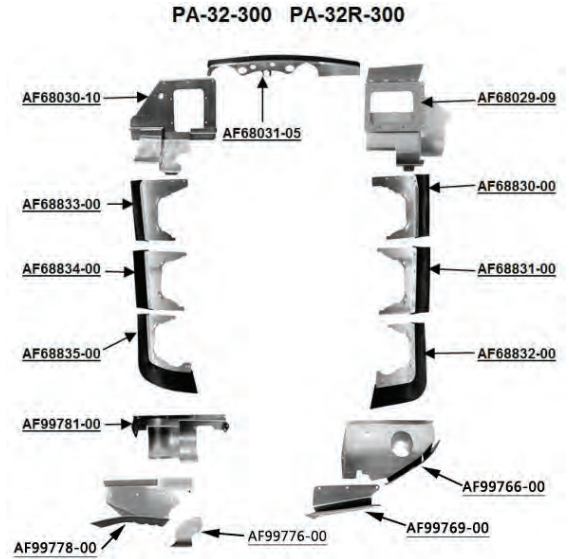
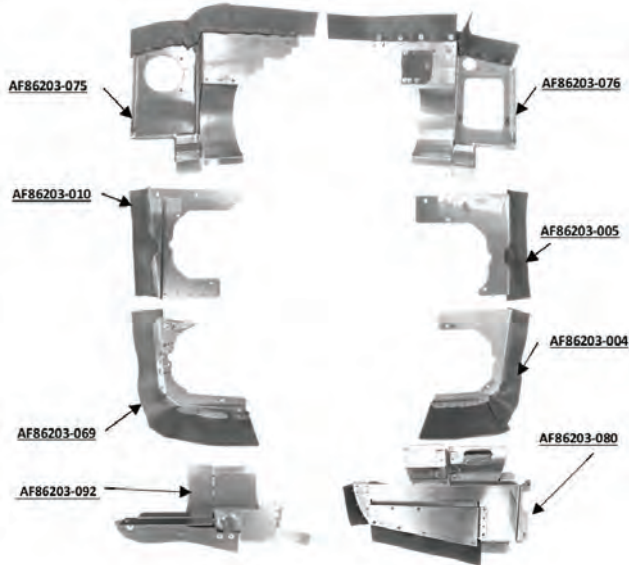


Figure 46



**Parts for Cessna 208 and 208B Aircraft
See Caravan section on pages 327-339.**



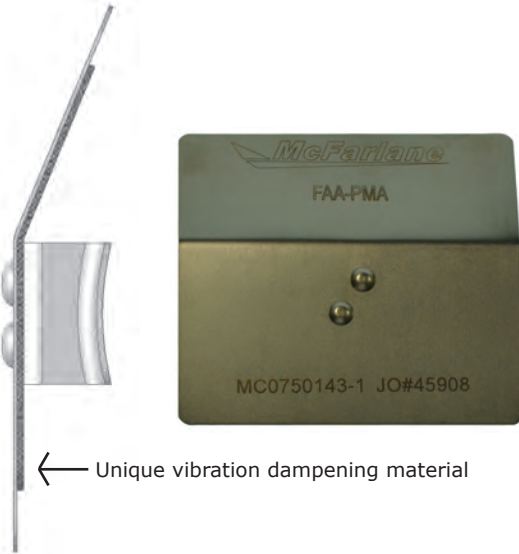
Save \$\$\$ on these in stock items!

Firewall Forward

Intake Hose Heat Deflector Shields for Cessna Aircraft with Teledyne Continental Six Cylinder Engines

Improved Design!
P/N MC0750143-1

- Vibration dampened to prevent cracking
- Polished stainless steel for better heat control
- Much better and 1/2 the price!

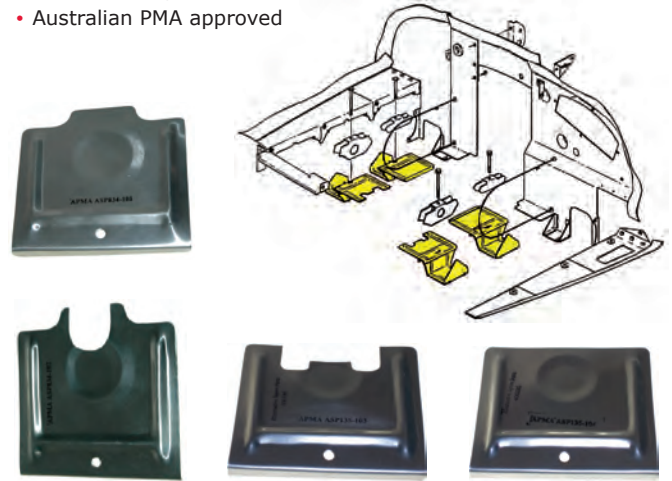


Aircraft Model	Serial Number
175, 1, A, B, C	56083 thru 17557119
P172	P17257120 thru P17257188
180, A, B, C, D, E, F, G, H, J, K	30000 thru 18053203
182, A, B, C, D, E, F, G, H, J, K, L, M, N, P, Q, R	33000 thru 18268615
F182P, Q	F18200001 thru F18200169
A182J, K, L, M, N	A182-0001 thru A182-0148
T182	18267716 thru 18268615
185, A, B, C, D, E/A185E, F	185-0001 thru 18504448
188, A, B/A188, A, B	188-0001 thru 18803968T
T188C	T18803297T thru T18803968T
210-5 (205), 210-5A (205A)	205-0001 thru 205-0577
206	206-0001 thru 206-0275
U206, A, B, C, D, E, F, G	U206-0276 thru U20607020
P206, A, B, C, D, E/TP206A, B, C, D, E	P206-0001 thru P20600647
TU206A, B, C, D, E, F, G	U206-0438 thru U20607020
207, A/T207, A	20700001 thru 20700788
210, A, B, C, D, E, F, G, H, J, K, L, M, N, R T210K, L, M, N, R	57001 thru 21065009
P210N, R	P21000001 thru P21000874
T210G, H, J	T210-0198 thru T210-0454

■ Partial model eligibility
McFarlane P/N MC0750143-1 replaces Cessna P/N 0750121, 0750121-1, 0750121-2, 0750143-2 and 0750143-3.

Intercylinder Baffles for Cessna Aircraft with Teledyne Continental Six Cylinder Engines

- Replace worn baffles to maintain optimum engine cooling
- Maximum engine life
- Australian PMA approved



Manufactured by Aircraft Engineering & Maintenance Services

Model	Serial Number	ASP135-103	ASP135-104	ASP833-105	ASP834-101	ASP834-102
180	32151 thru 32661	2	2	4		
180A, B, C, D, E	32662 thru 18051183	2	1	4		
180F, G, H, J, K	18051184 thru 18018053203	3	2	4		
182	33000 thru 33482	2	2	4		
182A, B, C, D, E	33483 thru 18254423	2	1	4		
182F, G, H, J, K, L, M, N, P, Q	18254424 thru 18262465	1	1	4		
182P, Q, R	18262466 thru 18268615	2	2	4		
A185F	All			4		
188, 188A, B, A188, A188A, B, T188C	188-0001 thru T18803968T	2	2	4		
210-5 (205), 210-5A (205A)	205-0001 thru 205-0577	1	2	4		
206, U206, U206A, B, C, D, E, F, G	206-0001 thru U20607020	2	2	4		
P206, P206A, B, C, D, E	P206-0001 thru P20600647	2	2	4		
207, 207A	20700001 thru 20700788	2	2	4		
210, 210A, B, C, D, E, F, G, H, J, K, L, M, N, R	57001 thru 21065009	2	2	4		
310, 310A, B, C, D, E, F, G, H, I, J, K, L, N	35000 thru 310N0198	2	2	4		
T310R	All			4		
320, 320A, B, C	320-0001 thru 320C0073	2	4			
320D, E, F	320D0001 thru 320F0045			4	6	2
335	335-0001 thru 335-0065			4	6	2
340, 340A	340-0001 thru 340A1817			4	6	2
401, 401A, B	401-0001 thru 401B0300			4	6	2
402, 402A, B, C	402-0001 and On			4	6	2
414, 414A	414-0001 and On			4	6	2

■ Partial model eligibility
P/N ASP135-103 replaces Cessna P/N 0750135-3
P/N ASP135-104 replaces Cessna P/Ns 0750135-4 and 0750135-8
P/N ASP833-105 replaces Cessna P/Ns 0750135-1 and 0851833-1
P/N ASP834-101 replaces Cessna P/N 0851834-1
P/N ASP834-102 replaces Cessna P/N 0851834-2

Motor Mount Bolt Lock Washer for Cessna Aircraft
P/N MC0851559-1

- Up to 4x the locking power!
- Stronger material allows FAA approval to eliminate the standard washer
- Only the McFarlane washer is embossed for improved locking and no-slip during installation.
- Designed with six tabs instead of two giving extra locking power.
- Easier to use
- Four lock washers required per engine.



Model	Serial Number
180F, G, H, J, K	18051184 thru 18053203
182E, F, G, H, J, K, L, M, N, P, Q, R	18253599 thru 18268615
A182J, K, L, M, N/F182P, Q	All
185, 185A, B, C, D, E/A185E, F	All
188, 188A, B/A188/A188A, B/T188C	All
210-5 (205), 210-5A (205A)	All
P206, P206A, B, C, D, E, TP206A, B, C, D, E	All
206, U206, U206A, B, C, D, E, F, G	All
TU206A, B, C, D, E, F, G	All
207, 207A, T207, T207A	All
210, 210A, B, C, D, E, F, G, H, J, K, L, M, N, R	All
P210N, R, T210F, G, H, J, K, L, M, N, R	All
310, 310B, C, D, F, G, H, I, J, K, L, N, P, Q, R	All
T310P, Q, R	All
320D, E, F	All
411, 411A, 414	All
414A	414A0001 thru 414A0680

V-Belts for Cessna Aircraft

Replace your old cracked belt today!

- FAA-PMA Approved for specific aircraft at a lower price!
- Save with our realistic prices
- Constructed for increased abrasion resistance and tension load carrying
- Each lot tested for strength and stretch



Aircraft	Serial Number	P/N	Notes
152 1	15279406 thru 15285940	MCS1597-1-37.5 2	
A152 1	A1520735 thru A1521028	MCS1597-1-37.5 2	
F152 1	F15201429 thru F15201952	MCS1597-1-37.5 2	
FA152 1	FA1520337 thru FA1520387	MCS1597-1-37.5 2	
172I,J,K,L,M,N,P,Q	All	MCS1597-1-37.5 2	
172RG 1	172RG0001 thru 172RG1178	MCS1597-1-37.5 2	
F172L,M,N,P	All	MCS1597-1-37.5 2	
177, 177A,B, 177RG, F177RG	All	MCS1597-1-37.5 2	
180F,G	All	MCS39547-31.19 2	
180H	All	MCS2416-1-31.0 2	
180J,K 1	18052385 thru 18052981	MCS2416-1-31.0 2	Used with 60 Amp, 14 and 28 Volt Alternators
182G 1	18255101 thru 18255125	MCS2416-1-31.0 2	
182H,J,K,L,M,N,P,Q,R, F182P,Q	All	MCS2416-1-31.0 2	18262466 thru 18267715 and F18200026 thru F18200094 used with or without O-470-R, O-470-S Engines
FR182, R182, TR182 1	FR18200001 thru FR1820070 R18200001 thru R18202032	MCS1597-1-37.5 2	Used with O-540-J3C5D Engine
T182	All	MCS1597-1-37.5 2	Used with 60 Amp Alternator on Lycoming O-540L3C5D Engine
185, 185A,B,C	All	MCS1597-1-38.5 2	Used with 95 Amp Alternator on Lycoming O-540L3C5D Engine
185D,E, A185E,F	All	MCS39547-31.19 2	
188, A188,188A,B, A188A,B, T188C	All	MCS2416-1-31.0 2	18502311 thru 18503619 used with 60 Amp 14 and 28 Volt Alternators 18503260 thru 18504448 used with 60 Amp 28 Volt Alternator 188-0001 thru 188-0572 used with 60 Amp, 12, 14, and 28 Volt Alternators 188-0573 thru 18802348 used with 60 Amp, 14 and 28 Volt Alternators 18802349 thru 18803973, T18803325T thru T18803974T used with 60 Amp, 14 and 28 Volt Alternators, and 95 Amp, 128 Volt Alternator
TU206F,G, U206F,G	All	MCS2416-1-31.0 2	U20604469 thru U20605919 used with 60 Amp, 24 Volt Alternator U20605920 thru U20607020 used with 60 Amp, 24 Volt Alternator and 95 Amp Alternator
207, 207A, T207, T207A	All	MCS2416-1-31.0 2	
210E,F,G,H,J, T210F,G,H,J	All	MCS2416-1-31.0 2	
210K,L,M,N,R, T210K,L,M,N,R	All	MCS2416-1-31.0 2	21059200 thru 21064135 used with 60 Amp, 12 and 24 Volt Alternators 21064136 thru 21065009 for use with 60 Amp and 95 Amp Alternators
P210N	All	MCS2416-1-31.0 2	21064536 thru 21064950 for use with Fwd Alternator of Dual Alternator Installation 21064898 thru 21065009 for use with Aft Alternator of Dual Alternator Installation
P210R 1	P21000835 thru P21000867	MCN7365 2	P21000761 thru P21000834 for use with Fwd Alternator of Dual Alternator Installation For use with Fwd Alternator of Dual Alternator Installation

1 Partial model eligibility
2 Location of use is Generator
3 Location of use is Alternator

V-Belts for Lycoming and Continental Engines

Replace your old worn belt today with a high-quality FAA-PMA approved McFarlane V-belt!

- FAA-PMA Approved for specific engine
- Each lot is tested for strength and stretch
- Constructed for increased abrasion resistance and tension load carrying
- Save \$\$\$



Part Number	Lycoming Engines
MC37A19773-376	O-235-L2A, O-235-L2C
	O-320-E2D
	IO-360-L2A
MCS1597-1-37.5	O-360-A1A, O-360-A1AD, O-360-A1D, O-360-A1F6, O-360-A1F6D, O-360-A1G6, O-360-A1LD
	O-360-A2A, O-360-A2D, O-360-A2F, O-360-A2G
	O-360-A3A, O-360-A3AD
	O-360-A4A
	O-360-A5AD
MCS39547-31.19	Continental Engines
	IO-470-C,D,E,F,G,H,J,K,L,N,P,R,S
	O-470-A,B,E,G,J,K,L,M,P,R,S
	IO-520-A,F

FAA-PMA Approved

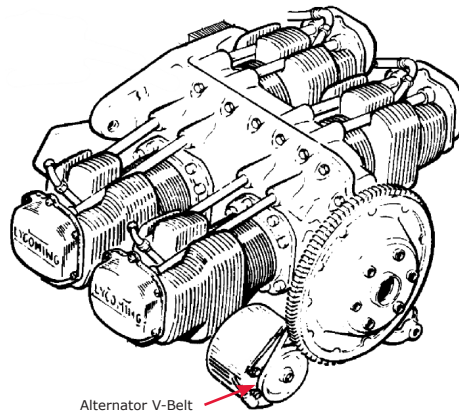
V-Belts for Piper Aircraft

Finally an approved belt at an affordable price!

- FAA-PMA Approved for specific aircraft
- High quality manufacture
- Direct replacements
- Drastically reduced price!



Save \$\$\$



Alternator V-Belt

NEW

Model	Serial Number	Location	Alternator Assy	OD	Width	Part Number
PA-28-140	28-7125472 thru 28-7725290 and 28-250001	Alternator	Prestolite ALY-6422	40.55"	0.28"	MC73965-009
		A/C Compressor		40.55"	0.44"	MC73965-010
PA-28-151	All	Engine, Alternator Drive	Chrysler	33.00"	0.47"	MC73965-015
		Engine, Alternator Drive		33.00"	0.47"	MC73965-015
PA-28-161	28-7816001 thru 28-8616057 2816001 thru 2816119	Alternator	Prestolite ALY-6422	40.55"	0.28"	MC73965-009
		A/C Compressor		40.55"	0.44"	MC73965-010
		Engine, Alternator Drive	Chrysler	33.00"	0.47"	MC73965-015
PA-28-180	28-7205092 thru 28-7505260 and 28-5663	Alternator	Prestolite ALY-6422	40.55"	0.28"	MC73965-009
		A/C Compressor		40.55"	0.44"	MC73965-010
PA-28-181	2843001 thru 2843999	A/C Compressor		40.55"	0.44"	MC73965-010
		Alternator	Kelly Aerospace AL Y6522	40.55"	0.28"	MC73965-009
		A/C Compressor		40.55"	0.44"	MC73965-010
		Alternator	680-500 (ES4032), 02591-002 (Lycoming)	42.08"	0.41"	MC73965-020
PA-28-236	2811001 thru 2811050	Engine, Alternator Drive	Chrysler	33.00"	0.47"	MC73965-015
		Alternator	Prestolite 99891-000	40.55"	0.28"	MC73965-009
		A/C Compressor		40.55"	0.44"	MC73965-010
PA-28-236	28-7911001 thru 28-8611008	Alternator	Prestolite 99891-000	40.55"	0.28"	MC73965-009
		A/C Compressor		40.55"	0.44"	MC73965-010
		Engine, Alternator Drive	Chrysler	33.00"	0.47"	MC73965-015
PA-28R-200	28R-7235001 thru 28R-7635545	Alternator	Prestolite ALY-6422	40.55"	0.28"	MC73965-009
		A/C Compressor		40.55"	0.44"	MC73965-010
PA-28R-201	2837001 thru 2837061 28R-7737002 thru 28R-7837317	Alternator	Prestolite 99891-000, Prestolite ALY-6422	40.55"	0.28"	MC73965-009
		A/C Compressor		40.55"	0.44"	MC73965-010
		Engine, Alternator Drive	Chrysler	33.00"	0.47"	MC73965-015
		Alternator	Prestolite 99891-000, Prestolite ALY-6422	40.55"	0.28"	MC73965-009
PA-28R-201T	2844001 thru 2844999	A/C Compressor		40.55"	0.44"	MC73965-010
		Engine, Alternator Drive	Chrysler	33.00"	0.47"	MC73965-015
PA-28RT-201	28R-7918001 thru 28R-8218026	Alternator	Prestolite ALY-6422	40.55"	0.28"	MC73965-009
		A/C Compressor		40.55"	0.44"	MC73965-010
PA-28RT-201T	2831001 thru 2831038 28R-7931001 thru 28R-8631005	Engine, Alternator Drive	Chrysler	33.00"	0.47"	MC73965-015
		Alternator	Prestolite ALY-6422	40.55"	0.28"	MC73965-009
PA-32-300	32-7240056 thru 32-7940290, 32-40853	Engine, Alternator Drive	Chrysler	33.00"	0.47"	MC73965-015
		Alternator	Prestolite ALY-6422	40.55"	0.28"	MC73965-009
PA-32-301	32-7240056 thru 32-7940290, 32-40853	A/C Compressor		40.55"	0.44"	MC73965-010
		Alternator	Prestolite ALY-6421	37.50"	0.38"	MC73965-003
PA-32-301T	3206001 thru 3206060 32-8006002 thru 32-8606023	Alternator	Prestolite ALY-6422	40.55"	0.28"	MC73965-009
		A/C Compressor		40.55"	0.44"	MC73965-010
		Alternator	60 A Prestolite or 90 A Ford	37.50"	0.38"	MC73965-003
		A/C Compressor	Prestolite ALY-6422	40.55"	0.28"	MC73965-009
PA-32R-300	32R-7680001 thru 32R-7880068	Alternator	Prestolite ALY-6422	40.55"	0.28"	MC73965-009
		A/C Compressor		40.55"	0.44"	MC73965-010
		Alternator	Prestolite ALY-6421	37.50"	0.38"	MC73965-003
PA-32R-301	32R-8013001 thru 32R-8613006	Alternator	Prestolite 99891-000	40.55"	0.28"	MC73965-009
		A/C Compressor		40.55"	0.44"	MC73965-010
PA-32R-301T	3246001 thru 3246087	Alternator		37.50"	0.38"	MC73965-003
		Alternator	Prestolite 99891-000	40.55"	0.28"	MC73965-009
		A/C Compressor		40.55"	0.44"	MC73965-010
PA-32RT-300	32R-7885002 thru 32R-7985106	Alternator	87415-03 (Ford 90 amp)	39.09"	0.41"	MC73965-016
		A/C Compressor	Prestolite ALY-6421	40.55"	0.28"	MC73965-009
		Engine, Alternator Drive	Chrysler	33.00"	0.47"	MC73965-015
PA-32RT-300T	32R-7787001 thru 32R-7987126	Alternator	Prestolite ALY-6422	40.55"	0.28"	MC73965-009
		A/C Compressor		40.55"	0.44"	MC73965-010
PA-34-200	34-7250001 thru 34-7450220	Engine, Alternator Drive	Chrysler	33.00"	0.47"	MC73965-015
		Alternator	Prestolite ALY-6421	37.50"	0.38"	MC73965-003
PA-44-180	44-7995001 thru 44-8195026 and 4495001	Alternator	Prestolite ALY-6421, ALX 84 21 LS	37.50"	0.38"	MC73965-003
PA-44-180T	44-817001 thru 44-8207020	Alternator	Prestolite ALY-6421, ALX 84 21 LS	37.50"	0.38"	MC73965-003
PA-46-310P	4608001 thru 4608140 46-8408001 thru 46-8608067	Alternator	690-040 (Electrosystems ES4005-2)	35.00"	0.38"	MC73965-011
		Alternator	690-040 (Electrosystems ES4005-2)	35.00"	0.38"	MC73965-011
PA-46-350P (w/o G1000)	4622001 thru 4622200	Alternator	602-300 (ES-4019-1)	22.08"	0.41"	MC73965-023
PA-46-500TP (w/ G1000)	4697002 thru 4697999	Alternator	602-300 (ES-4019-1)	22.08"	0.41"	MC73965-023
PA-46-500TP (w/o G1000)	4697001 thru 4697398	Alternator	602-300 (ES-4019-1)	22.08"	0.41"	MC73965-023

AERO-Classics Oil Coolers

FAA-PMA Approved

- Direct replacements for most oil coolers
- Ideal for many certified and experimental aircraft
- FAA 8130-3 tags included with each oil cooler

Outstanding Performance

In side-by-side comparative performance tests, AERO-Classics 7 and 9 plate oil coolers outclassed competitive models, offering better overall cooling and lower weight.

Direct Replacements for Stewart Warner Oil Coolers

- HE Series High Efficiency Coolers
- FAA-PMA direct replacement for Stewart Warner (Meggett) oil coolers
- Match or outperform the original
- Save \$\$\$

Don't be fooled by Stewart Warner oil coolers available from many aviation suppliers. Even though its the same part number and manufacturer, if it didn't come from the aircraft manufacturer or say FAA-PMA, then it is not FAA approved.

Highest Quality, Best Value

- Corrosion Protection per MIL-C-5541, Class 1A
- Optimized internal oil flow design
- Low cost
- In-stock for fast delivery
- Pressure tested to 400 psig
- Light-weight
- Two year warranty

Engine Mount Oil Coolers for Continental Engines



Front Mount, 12 Bolt
Non Congealing Oil Cooler
P/N 8000307



Rear Mount
Oil Cooler
P/N 8000464



Front Mount,
8 Bolt Oil Cooler
P/N 8000934



P/N 654117



P/N 652079



P/N 649964

The best for a lot less!

P/N	Description	FAA Approved Replacement for	Eligible Engine Models	Gaskets (not included with oil cooler)
Front-Mount, 8 Bolt Oil Coolers				
8000925		Continental 627392, Niagara 20585A	O-470-A,B,E,G,J,K,L,M,P,R,S,U IO-470- C,D,E,F,G,H,J,K,L,M,N,P,R,S,U,V	654117 649964 (plate)
8000934		Continental 646880, Niagara 20591A	IO-360-A,AB,C,CB,D,DB,G,GB,H,HB,HB9,J,JB,K,KB,ES TSIO-360-A,AB,B,C,CB,D,DB,E,F,GB,H,JB,KB,LB,MB L/TSIO-360-E,EB,F,FB,GB,H,HB,JB,KB,LB,MB,RB	654117, 649964 (plate)
Front-Mount, 12 Bolt Congealing Oil Coolers				
8000683	Non-7th Stud	Continental 626189, Niagara 20573A	O-470-B,J,K,L,M,R,IO-470-D,F,L,M,S IO-520-A,D,E,F,J,K,L, L/TSIO-520-AE, O-550-D	654553 649964 (plate)
8000687	7th Stud	Continental 652671, Niagara 20440A	IO-520-A,D,E,F,J,K,L, L/TSIO-520-AE, IO-550-D	654555, 649964 (plate)
Front-Mount, 12 Bolt Non Congealing Oil Coolers				
8000545	10" Universal 7th Stud	Continental 639171, Niagara 20795A Continental 654595, Niagara 20617A	O-470-R,S,U, IO-520-A,D,E,F,J,K,L TSIO-520-C,G,H,M,P,R,T,AF,CE, IO550-D,E,F,L	654554 652079 (plate)
8000319	11" Universal 7th Stud	Continental 639151, Niagara 20446A	O-470-F,K,L,R, IO-470-L, IO-520-A,D,E,F,J,K,L	654560, 652079 (plate)
8000307	11 7th Stud	Continental 654593, Niagara 20618A	IO-470-L, IO-520-A,D,E,F,J,K,L	654554, 652079 (plate)
8000531	11.5" Universal 7th Stud	Continental 639152, Niagara 20623A	O-470-M, IO-470-D,U,V, IO-520-A,D,E,F,J,K,L	654560, 652079 (plate)
8000127	11.5" 7th Stud	Continental 652759, Niagara 20448A	IO-520-A,D,E,F,J,K,L	654554, 652079 (plate)
Rear-Mount Oil Coolers				
8000440	Valve P/N 639305 small	Continental 654580, Niagara 10279A	TSIO-520-BE,E,J,L,N,VB,WB,EB,JB,LB,NB, 550-E, IO-550-B,C,G	G-KT-1
8000464	Valve P/N 639305 small	Continental 646685, Niagara 10196A	GTIO-520-C,D,F,H,K,L,M,N	G-KT-2
8000953	Valve P/N 649369 large	Continental 654585, Niagara 10281A	IO-550-G,N,P,R, IO-F550-G,N,P,R, TSIO-550-G	G-KT-3
8000960	Valve P/N 639305 small	Continental 654572, Niagara 10278A	IO-520-B,BA,BB,C,CB,M,MB, TSIO-520-B,D,K,UB, IO-550-A,B,C	G-KT-1
8001213	Valve P/N 649369 large	Continental 655090, Niagara 10280A	IO-550-B,C, IOF-550-B,C, TSIO-520-B	G-KT-5

Continued on next page

Remote Mount Oil Coolers (Typically used with Lycoming Engines)



Bar and Plate P/N 8000356



7 row drawn cup P/N 8000075



HE Series P/N 8001646



HE Series P/N 8001599

Important: To confirm FAA approved eligibility, verify that your current (or originally) installed oil cooler P/N is listed in the "FAA Approved Replacement for" column for your aircraft model.

Aircraft Model	FAA Approved Replacement for P/N	Description	P/N
AEROSTAR			
601, 601P, 602P, 700P	Niagara 20015A, 20044A, Harrison 8541336	bar and plate	8000357
American Champion Aircraft Corp.			
7ECA, 7GCAA, 7GCBC	American Champion Aircraft 8526250	7 row drawn cup	8000075
Beechcraft			
19, C23, A24R, C24R	Niagara 20002A, Harrison 8526250, AP07AU06-03	7 row drawn cup	8000075
19A, B19, A23, A23A, A24, A24R, B23, C23	Beech 169-910002-23, 169-380001-1, Stewart Warner 8406R	HE Series	8001602
A23-24	Beech 169-910002-23, 169-380001-1, Stewart Warner 8406R	HE Series	8001602
	Beech 169-380033, Stewart Warner 8432S	HE Series	8001694
Brittan-Norman (Pilatus)			
BN-2	BN 354501026, Stewart Warner 8406R	HE Series	8001602
BN-2A	Niagara 20006A, Harrison 8534108, AP13AU06-01	13 row drawn cup	8000215
	BN 354501026, Stewart Warner 8406R	HE Series	8001602
BN-2A-2, BN-2A-3, BN-2A-6, BN-2A-8, BN-2A-9, BN-2A-20, BN-2A-21, BN-2A-26, BN-2A-27	BN 354501026, Stewart Warner 8406R	HE Series	8001602
BN-2B	Niagara 20006A, Harrison 8534108, AP13AU06-01	13 row drawn cup	8000215
BN-2B-20, BN-2B-21, BN-2B-26, BN-2B-27, BN-2T-4R	BN 354501026, Stewart Warner 8406R	HE Series	8001602
Cessna			
150, 152, A152	Niagara 20002A, Harrison 8526250 and AP07AU06-03	7 row drawn cup	8000075
162	Cessna and Stewart Warner 10578R	HE Series	8001535
170	Niagara 20002A, Harrison 8526250 and AP07AU06-03	7 row drawn cup	8000075
	Niagara 20002A, Harrison 8526250 and AP07AU06-03	7 row drawn cup	8000075
172	Cessna and Stewart Warner 8406R	HE Series	8001733
175, 177	Niagara 20002A, Harrison 8526250 and AP07AU06-03	7 row drawn cup	8000075
177RG	Cessna and Stewart Warner 8406R	HE Series	8001733
172N	Cessna and Stewart Warner 10599R	HE Series	8001599
172R,S	Cessna and Stewart Warner 10877R	HE Series	8001588
182	Cessna and Stewart Warner 10610R	HE Series	8001646
R182, TR182	Cessna and Stewart Warner 10614R	HE Series	8001643
	Cessna and Stewart Warner 10610R	HE Series	8001646
T182, TR182, T182T	Cessna and Stewart Warner 10891A	HE Series	8001718
210-5 (205), 210-5A (205A)	Cessna and Stewart Warner 10634R	HE Series	8001652
206, 206H, P206, P206A,B,C,D,E, U206, U206A,B,C,D,E,F,G	Cessna and Stewart Warner 10880A	HE Series	8001713
T206H, TP206A,B,C,D,E, TU206A,B,C,D,E,F,G	Cessna and Stewart Warner 10865B	HE Series	8001701
210, 210A thru 210R, P210N,R, T210F thru T210R	Cessna and Stewart Warner 10634R	HE Series	8001652
Commander, Twin Commander Aircraft LLC			
114, 114A, 500S	Commander 630146-509, Niagara 20009A, Harrison 8533718, 8537798	18 row drawn cup	8000353
Cub Crafters Inc.			
CC18-180, CC18-180A	Niagara 20003A, Harrison 8529245 and AP09AU06-01	9 row drawn cup	8000074
Grumman			
AA-5 (Tiger)	5505002-2, Stewart Warner 10568R	HE Series	8001640
AA-5A Series (Cheetah)	5505002-1, Stewart Warner 10578R	HE Series	8001535
Maule			
M-5-180, M-5-180C, M-5-235C, M-6-180, M8-235, MX7-160, MX7-160C, MX7-180, MX7-180A, MX7-180AC, MX7-180B, MX7-180C, MXT7-160, MXT7-180, MXT7-180A,	Niagara 20003A, Harrison 8529245 and AP09AU06-01	9 row drawn cup	8000074
M5-235, M6-235, M7-235A, M8-235, MX7-235, MT7-235, M7-235B, M7-235C, MT7-260, M7-260, M7-260C	Niagara 20003A, Harrison 8529245 and AP09AU06-01	9 row drawn cup	8000074
	Niagara 20006A, Harrison 8534108 and AP13AU06-01	13 row drawn cup	8000215
Mooney			
MC20A, MC20B	Mooney 620036, Stewart Warner 8406R	HE Series	8001602
M20C, M20D	Niagara 20002A, Harrison 8526250, AP07AU06-03	7 row drawn cup	8000075
	Mooney 620036, Stewart Warner 8406R	HE Series	8001602
M20E, M20F	Mooney 620016, 620052, Stewart Warner 8432R	HE Series	8001689
	Mooney 6200160501, Stewart Warner 8432S	HE Series	8001694
M20G	Mooney 620036, Stewart Warner 8406R	HE Series	8001602
M20J	Mooney 620016, 620052, Stewart Warner 8432R	HE Series	8001689
Piper			
PA-18,18A	Harrison 8521940	bar and plate	8000328
PA-18, -18A, -18S, -18 "105" Special, -18 "125"(Army L-21A), -18S "125", -18AS "125", -18 "135" (Army L-21B),-18A "135", -18S "135", -18AS "135", -18 "150", -18A "150", -18S "150P", -18AS "150", -19 (Army L-18C), -19S	Niagara 20003A, Harrison 8529245 and AP09AU06-01	9 row drawn cup	8000074
PA22-135,150,160	Harrison 8521940	bar and plate	8000328
PA-23, S/N 23-163 and up	Piper 18622-00, Niagara 20002A, Harrison 8526250	7 row drawn cup	8000075
PA-23	Niagara 20104A, Harrison 8530016, 8537798	9 row, 2 pass drawn cup	8000343
PA-23-160	Piper 18622-00, Niagara 20002A, Harrison 8526250	7 row drawn cup	8000075
PA23-235,250	Niagara 20104A, Harrison 8530016, 8537798	9 row, 2 pass drawn cup	8000343
PA-23-250	Piper 32330-07, S/W Meggit 10631S	HE Series	8001956
PA-24	18622-00, Niagara 20002A, Harrison 8526250, AP07AU06-03	7 row drawn cup	8000075
PA-24-260 S/N 24-4783, 24-4804 and up	Niagara 20104A, Harrison 8530016, 8537798	9 row, 2 pass drawn cup	8000343
PA-25	Niagara 20006A, Harrison 8534108, AP13AU06-01	13 row drawn cup	8000215
PA-25-235	Niagara 20104A, Harrison 8530016, 8537798	9 row, 2 pass drawn cup	8000343
PA-28-140,150,151,160,161,180,181	Niagara 20002A, Harrison 8526250 and AP07AU06-03	7 row drawn cup	8000075
	Niagara 20006A, Harrison 8534108, AP13AU06-01	13 row drawn cup	8000215
PA-28R-200,201,201T	Piper 67848-00, Niagara 20017A, Harrison 8537820	13 row, drawn cup with cutout	8000661
PA-28-235	Niagara 20006A, Harrison 8534108, AP13AU06-01	13 row drawn cup	8000215
PA-28-236	Niagara 20003A, Harrison 8529245 and AP09AU06-01	9 row drawn cup	8000074
PA-30	18622-00, Niagara 20002A, Harrison 8526250, AP07AU06-03	7 row drawn cup	8000075
	Niagara 20006A, Harrison 8534108, AP13AU06-01	13 row drawn cup	8000215
PA-31	Niagara 20104A, Harrison 8530016, 8537798	9 row, 2 pass drawn cup	8000343
PA-31-310,325,350	Niagara 20010A, Harrison 8535311	bar and plate	8000356
PA-32-260	Piper 18622-00, Niagara 20002A, Harrison 8526250	7 row drawn cup	8000075
PA-32-300	Niagara 20003A, Harrison 8529245	9 row drawn cup	8000074
PA-32R-300	Piper 556-391, Harrison 8543897	bar and plate	8001201

Eligibility continued on the next page

Important: To confirm FAA approved eligibility, verify that your current (or originally) installed oil cooler P/N is listed in the "FAA Approved Replacement for" column for your aircraft model.

Aircraft Model	FAA Approved Replacement for P/N	Description	P/N
Eligibility continued from previous page			
Piper Continued			
PA-32RT-300,300T, PA-32R-301,301T	Niagara 20010A, Harrison 8535311	bar and plate	8000356
PA-34-200	Piper 67848-00, Niagara 20017A, Harrison 8537820	13 row, drawn cup with cutout	8000661
PA-39	Piper 18622-00, Niagara 20002A, Harrison 8526250	7 row drawn cup	8000075
Robinson Helicopter			
R22	Niagara 20008A	17 row drawn cup	8000216
R44, R44II	Robinson and Stewart Warner 10886A	HE Series	8001723
Sikorsky Aircraft			
269C	Meggitt and Stewart Warner 10655A		8002517
Sky International (PITTS)			
S-2B	Niagara 20006A, Harrison 8534108, AP13AU06-01	13 row drawn cup	8000215
	Niagara 20009A, Harrison 8533718, 8537798	18 row drawn cup	8000353
Socata			
TB9, TB10	Niagara 20002A, Harrison 8526250, AP07AU06-03	7 row drawn cup	8000075
TB20, TB200	Niagara 20006A, Harrison 8534108, AP13AU06-01	13 row drawn cup	8000215
	Niagara 20009A, Harrison 8533718, 8537798	18 row drawn cup	8000353
Taylorcraft 2000, LLC			
F22B, F22C, F22R	Niagara 20002A, Harrison 8526250, AP07AU06-03	7 row drawn cup	8000075
Univair (Stinson)			
108, 108-1, 108-2, 108-3	Niagara 20002A, Harrison 8526250, AP07AU06-03	7 row drawn cup	8000075
Vulcan Air S.p.a.			
P.68C	Vulcan S.p.a. NOR.373-1	13 row drawn cup	8000215

1 McFarlane engineering is unable to confirm this eligibility entry. P/N 8000215 is for larger (300HP+) engines.

2 When modified with IAW Cub Crafters Inc. STC # SA00718SE or SA92NW.

Cross Reference		Cross Reference	
Beechcraft P/N	AERO-Classics P/N	Continued from previous column	
169-380001-1	8001602	Niagra P/N	
169-380033	8001694	20009A	8000353
169-910002-23	8001602	20010A	8000356
Britten-Norman (Pilatus) P/N		20015A	8000357
354501026	8001602	20017A	8000661
Continental P/N		20044A	8000357
626189	8000683	20104A	8000343
627392	8000925	20440A	8000687
639151	8000319	20446A	8000319
639171	8000545	20448A	8000127
646685	8000464	20573A	8000683
646880	8000934	20585A	8000925
652671	8000687	20591A	8000934
652759	8000127	20617A	8000545
654572	8000960	20618A	8000307
654580	8000440	20623A	8000531
654585	8000953	20710A	8001080
654593	8000307	20795A	8000545
654595	8000545	Piper P/N AERO-Classics P/N	
655090	8001213	18622-00	8000075
693152	8000531	556-391	8001201
Harrison P/N		67848-00	8000661
8521940	8000328	85472-012	8001080
8526250	8000075	Stewart Warner	
8529245	8000074	8406R	8001733
8530016	8000343	8406R	8001602
8533718	8000353	8432R	8001689
8534108	8000215	8432S	8001694
8535311	8000356	10568R	8001640
8537798	8000343	10578R	8001535
8537820	8000661	10599R	8001599
8541336	8000357	10610R	8001646
8543897	8001201	10614R	8001643
Mooney P/N		10634R	8001652
620016	8001689	10865B	8001701
620036	8001602	10877A	8001588
620052	8001689	10880A	8001713
6200160501	8001694	10886A	8001723
Niagra P/N		10891A	8001718
10196A	8000464	Twin	
10278A	8000960	Commander P/N	
10279A	8000440	630146-509	8000353
10280A	8001213	True Flight	
10281A	8000953	Holding LLC P/N	
20002A	8000075	5505002-1	8001535
20003A	8000074	5505002-2	8001640
20006A	8000215	Verify aircraft make and model to ensure direct replacement eligibility. An IPC will confirm the part number that came equipped with the aircraft.	
20008A	8000216		

Continued in next column

New Approval for Cessna and Piper Aircraft

FAA-PMA approval for more Cessna and Piper aircraft!

- Cessna 205 and 210 series
- Piper PA-23-250, PA-28-181 and PA-32-260 aircraft



Aluminum Oil Cooler for PA18, PA22 Series

Save weight and money!

P/N 8000328

- The only aluminum Super Cub oil cooler
- FAA-PMA



Save 3.7 lbs!

Stewart Warner Oil Coolers

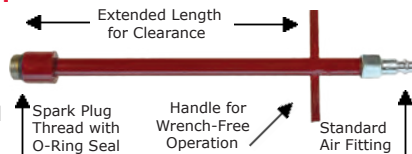
Factory new oil coolers manufactured by Stewart Warner are ideal for many experimental applications. They are identical to Stewart Warner oil coolers used on many certified aircraft but are not FAA-PMA approved. Form 337 field approvals are required for installation on certified aircraft. Available part numbers: 10611R, 10611S, 10631S, 10655A, 8406S and 8446S.



Compression Tester Extension

- EXTENSION CT1 (18mm thread)
- EXTENSION CT12 (12mm thread)
- EXTENSION CT14 (14mm thread)

- Wrench-free compression testing
- Quality welded construction, O-ring seal
- Allows for exhaust system and baffling clearance
- Makes compression testing easy
- Save time and \$\$\$



Manufactured by Baines Specialties, LLC.

Compression Tester Extension is not FAA-PMA approved.

Firewall Forward

APS Rocker Cover Gaskets

Reusable, silicone!

- FAA-PMA Direct replacement for Continental and Lycoming Engines
- For use in certified and experimental aircraft

APS Intake Manifold Tubes

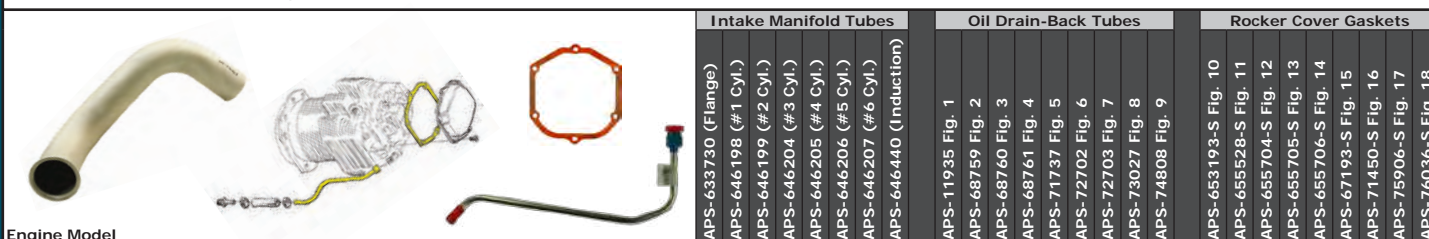
550 Crossflow Style

- FAA-PMA Direct replacement for Continental Engines

APS Oil Drain-Back Tubes

Save up to 50%

- FAA-PMA direct replacement for Lycoming tubes
- For use in certified and experimental aircraft



Engine Model

Continental Engines

A-75, A-85, C90, C125, C145 Series

E165, E185, E225 Series

G0300 A,B,C,D,E,F

GTSIO520 C,D,F,H,K,L,M,N (C and F only applicable to APS-655705-S)

IO240, IO360 Series

IO470 J,K

D,E,F,H,L,M,N,S,U,V

IO520 Series

IO550 A,B,C,D,E,F,L

G,N,P,R

IO550F N,P,R

LTSIO520 A,E

O200, O300 Series

O470 A,E,J

G,K,L,R,S,U

TSIO360 Series

TSIO470 B,C

TSIO520 AF,CE,UB,B,BB,C,D,DB,E,FB,G,H,J,JB,K,KB,L,LB,M,N,NB,P,R,T,VB,WB

BE

TSIO550 A,B,C,E,G,K

TSIOF550 D,J,K

Lycoming Engines

A-40, A-50, A-65, A-70 Series

AEIO320 D1B,D2B,E1A,E1B,E2A,E2B

A1A,A1B,A1B6

A1C

A1D,A1E,A1E6,A2B

A2A

A2C

A1D6,A2E,A3B6D

B1B,B1F,B1H,B1G6,B2F,B4A,H1A,H1B

B1D,B1F6, B2F6

D4A5,D4B5,D4D5

D4C5

L1B5,L1B5D,L1D5

AEIO580 B1A

AIO320 A1A,A1B,A2A,A2B,B1B,C1B

A1A,A1B,B1B

AIO360 A2A,A2B

C75, C85 Series

G0435 C2

A1A,C1A

A1B,C1B,D1A,E1AD,E1BD,F1AD

B1A

B1B

HIO540 A1A

HO360 C1A

A1A,B1A

IGO540 B1A,B1C

IGSO540 A1A,A1C,A1D,A1E,A1H

B1A,B1C

IHO360 B1A, G1A

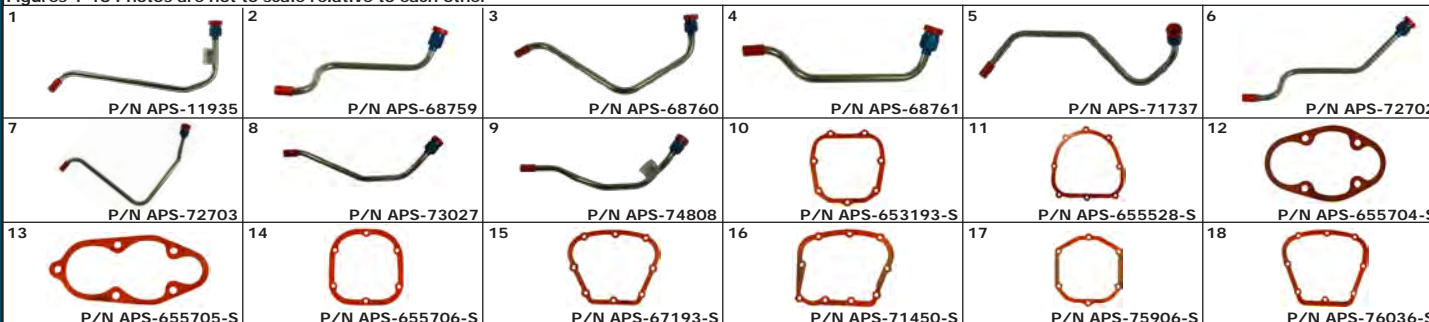
A1AA,2AB1A

A1AA2,AB1A

IO320 B1B,B1C,B1D,B1E,B2A,C1A,C1B,D1A,D1B,D1C,E1A,E1B,E2A,E2B,F1A

Eligibility continued on next page

Figures 1-18 Photos are not to scale relative to each other



Continued from previous page



Engine Model

Engine Model	Oil Drain-Back Tubes									Rocker Cover Gaskets									
	APS-11935 Fig. 1	APS-68759 Fig. 2	APS-68760 Fig. 3	APS-68761 Fig. 4	APS-71737 Fig. 5	APS-72702 Fig. 6	APS-72703 Fig. 7	APS-73027 Fig. 8	APS-74808 Fig. 9	APS-653193-S Fig. 10	APS-655528-S Fig. 11	APS-655704-S Fig. 12	APS-655705-S Fig. 13	APS-655706-S Fig. 14	APS-67193-S Fig. 15	APS-71450-S Fig. 16	APS-75906-S Fig. 17	APS-76036-S Fig. 18	
IO360	A1A,A1B,A1B6,A1B6D,A1C,A1D,A1D6,A2A,A2B,A2C,A3B6,A3B6D,A3D6D,C1B,C1C,C1C6,C1D6,C1E6,C1E6D,C1G6,D1A,J1A6D,K2A																		
	A1C6																		
	A1D6D,C1F																		
	B1B,B1BD,B1D,B1E,B1F,B1G6,B2E,B2F,B2F6,B4A,L2A,M1B,M1A																		
	B1A,B1C,B1F6,E1A																		
	C1A																		
	F1A																		
	J1AD																		
IO390	A1A6,A3A6,A1B6,A3B6																		
IO540	A1A5,B1B5,G1B5,G1C5,G1D5,G1E5,G1F5,K1C5,L1B5D,P1A5																		
	AA1A5,AA1B5,AE1A5,K1A5,K1A5D,K1B5,K1D5,K1E5,K1F5,K1F5D,K1G5,K1G5D,K1J5,K1J5D,K1K5																		
	AB1A5,C4B5,C4B5D,C4D5D,D4A5,N1A5,T4B5D,V4A5D,W1A5D																		
	B1A5,B1C5,E1A5,E1B5																		
	C1B5,C4C5,C4D5,R1A5,S1A5,T4A5D,T4B5,T4C5D																		
	D4B5,D4C5,E4C5D,N1A5D,V4A5,W1A5,W1A5D,W3A5D																		
	G1A5																		
	J4A5																		
	K1H5																		
	K2A5,M1A5																		
	L1A5D																		
	L1C5																		
		M1A5D																	
	M1B5D																		
	U1A5D,U1B5D																		
IO580	A1A,B1A																		
IO720	A1A,A1B,D1B,D1C,D1CD																		
	B1B,B1BD,C1B																		
IYO540	A1A																		
LIHO360	C1A,C1B,F1AD																		
LIO320	B1A,C1A																		
LIO360	C1E																		
	C1E6																		
	C1E6D																		
	M1A																		
LO360	A1G6D A1H6																		
	E1AD,E1BD																		
LTO540	F2BD,J2B,J2BD																		
	K1AD																		
	N2BD,R2AD																		
	U2A																		
	V2AD																		
	W2A																		
O235, O290 Series																			
O320	A1A,A1B,A2A,A2B,A2C,A2D,A3A,A3B,A3C,B1A,B1B,B2A,B2B,B2C,B2D,B2E,B3A,B3B,B3C,C1A,C1B,C2A,C2B,C2C,C3A,C3B,C3C,D1A,D1B,D1C,D1D,D1F,D2A,D2B,D2C,D2F,D2G,D2H,D2J,D3G,E1A,E1B,E1C,E1F,E1J,E2A,E2B,E2C,E2D,E2F,E2G,E2H,E3D,E3H,H1AD,H1BD,H2BD,H3AD,H3BD																		
O320 Series																			
O340	A1A,A2A,B1A																		
O340 Series																			
O360	A1A,A1AD,A1C,A1D,A1F6,A1F6D,A1G,A1G6,A1G6D,A1H,A1H6,A1J,A1LD,A1P,A2A,A2D,A2E,A2F,A2G,A3A,A3AD,A4A,A4AD,A4D,A4G,A4J,A4JD,A4K,A4M,A4N,A4P,A5AD,B2A,C1A,C1C,C1E,C1F,C1G,C2A,C2C,C2D,C2E,C4F,C4P,D2A,D2B,F1A6,G1A6																		
	A2H,A3D,B1A,B1B,B2B,B2C,E1AD,E1BD,E2AD,E2BD,J2A																		
O540	A1A,A1A5,A1B5,A1C5,A1D,A1D5,A2B,A3D5,B4B5,W1A5,W1A5D,W3A5D																		
	A4D5,E4B5D,G1A5D,J1C5D,J2A,J2A5D																		
	B1A5,B1B5,B2B5,B2C5,E4A5,E4B5,E4C5,F1B5,G1A5,G2A5,H1B5D,H2B5D,J1A5D,J3A5,J3A5D,J3C5D,L3C5D																		
TIGO541	E1A																		
TIO360	A1A,A1B,A3B6																		
TIO540	A1A,A1B,A2A,A2B																		
	A1C,A2A																		
	A2C																		
	AE2A																		
	AH1A																		
	C1A,E1A,H1A																		
	A1J1A,AK1A,G1A,T2AD,W2A																		
	AA1AD,AB1AD,AF1A,AG1A,K1AD																		
	AB1BD,AF1B																		
	F2BD,J2B,J2BD,N2BD,R2AD,S1AD																		
	U2A																		
	V2AD																		
TIO541	E1A4,E1B4,E1C4,EAD4																		
TIVO540	A2A																		
TO360	C1A6D																		
TVO435	A1A,B1A,B1B,D1A,D1B,F1A,G1A,G1B																		
TVO540	A1A																		
VO435	A1A,A1C,A1D,A1E,A1F,B1A																		
VO540	A1A,B1A,B1B,B1B3,B1C,B1D,B1F,B2D,C1A,C1B,C1C3,C2A,C2C																		

Adel Clamps (MS21919 W Series)

Loop type, cushioned support clamps, commonly referred to as "Adel Clamps" feature a wedge that is bonded to the cushion to prevent the escape of small wires when used for general purpose wire bundle clamping. Meets the requirements of Mil Spec MS21919.

Standard MS21919WDGXX Clamps

- Aluminum band with a chlorophrene cushion (black with blue stripe)
- For use in areas contaminated with petroleum based hydraulic fluids and occasional fuel splash
- Ozone resistant
- Rated to 212° F
- Not resistant to phosphate ester based fluids
- Supersedes MS21919-DG series without the wedge

High Temperature MS21919WCJXX Clamps

These blue clamps will not get hard and brittle with engine temperatures. A little more expensive but will last a long time in firewall forward applications.

- Corrosion resistant steel band with a blue fluorosilicone cushion
- Perfect for use in engine area or other areas with elevated temperature and/or where petroleum based fluid contamination is present
- Ozone resistant
- Rated to 450° F
- Not resistant to phosphate ester based fluids



P/N MS21919WCJ2



P/N MS21919WCJ3



P/N MS21919WCJ4



P/N MS21919WCJ5



P/N MS21919WCJ7



P/N MS21919WCJ15

Tube/ Bundle O.D.	Aluminum Band, Chlorophrene Cushion: MS21919WDG Series	Corrosion Resistant Steel Band, Fluorosilicone Cushion: MS21919WCJ Series
1/8"	MS21919WDG2	MS21919WCJ2
3/16"	MS21919WDG3	MS21919WCJ3
1/4"	MS21919WDG4	MS21919WCJ4
5/16"	MS21919WDG5	MS21919WCJ5
3/8"	MS21919WDG6	MS21919WCJ6
7/16"	MS21919WDG7	MS21919WCJ7
1/2"	MS21919WDG8	MS21919WCJ8
9/16"	MS21919WDG9	MS21919WCJ9
5/8"	MS21919WDG10	MS21919WCJ10
11/16"	MS21919WDG11	MS21919WCJ11
3/4"	MS21919WDG12	MS21919WCJ12
13/16"	MS21919WDG13	MS21919WCJ13
7/8"	MS21919WDG14	MS21919WCJ14
15/16"	MS21919WDG15	MS21919WCJ15
1"	MS21919WDG16	MS21919WCJ16



P/N MS21919WDG3



P/N MS21919WDG4



P/N MS21919WDG9



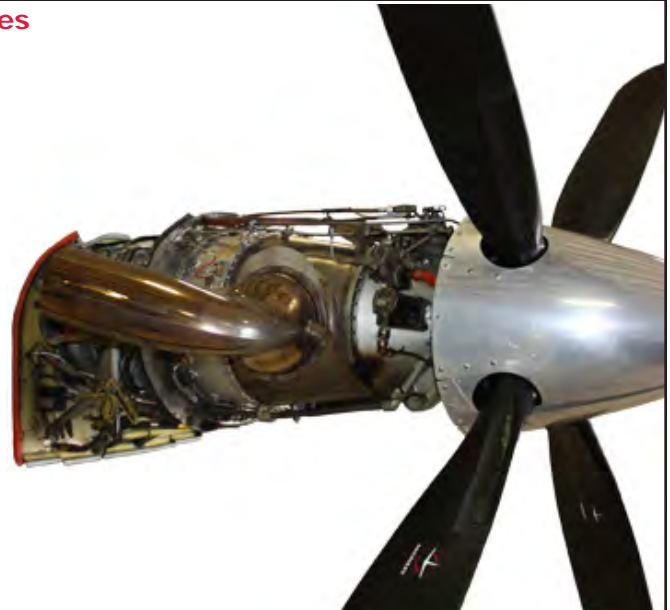
P/N MS21919WDG13

Parts for the Legendary Pratt & Whitney PT6 Engines

- In stock, no long lead times!
- Save \$\$\$ on commonly replaced parts

P/N	Description	Eligibility
CA3011155	Fuel Transfer Tube	PT6A-10, 11, 11AG, 15AG, 21, 25, 25A, 25C, 27, 28, 34, 34AG, 34B, 36, 38, 41, 41AG, 42, 45A, 45B, 45R, 50, 60A, 61, 64, 65B, 65R, 65AG, 65AR, 67, 67A, 67B, 67D, 67R, 67AF, 67AG, 110, 112, 114, 114A, 116, 135, 135A, PT6B-36, 36A, 36B, PT6T-3, 3B, 3BE, 6, 6B, ST6T-75
CA3020030	Fuel Transfer Tube	PT6T-3, 3B, 6, ST6T-75, 76
CA3029566	Fuel Nozzle Gasket	PT6A-11, 11AG, 15AG, 110, 112, 114, 114A, 116, 21, 27, 28, 34, 34AG, 34B, 36, 135, 135A, 25, 25A, 25C, PT6T-3, 3B, BE, 6, 6B, PT6B-36, 36A, 36B
CA3029678	Fuel Nozzle Gasket	PT6A-6, 6A, 6B, 20, 20A, 20B
CA3101469-01	Fuel Manifold Gasket	PW118, 118A, 118B, 120A, 121, 123, 123AF, 123B, 123C, 123D, 123E, 125B, 126, 126A, 127B, 127D
CA3103345-01	Retainer Plate	PT6A-10, 11, 11AG, 15AG, 21, 25, 25A, 25C, 27, 28, 34, 34AG, 34B, 36, 38, 41, 41AG, 42, 45A, 45B, 45R, 45AG, 50, 60A, 60AG, 61, 65B, 65R, 110, 112, 114, 116, 135, 135A, PT6B-36, 36A, 36B, PT6T-3, 3B, 3BE, 6, 6B, ST6T-75
CA3103346-01	Diaphragm	PT6-A38, 41, 41AG, 42, 45A, 45B, 45R, 45AG, 50, 65B, 65R
CA3103347-01	Diaphragm	PT6A-10, 11, 11AG, 15AG, 21, 25, 25A, 25C, 27, 28, 34, 34AG, 34B, 36, 110, 112, 114, 114A, 116, 135, 135A, PT6B-36, 36A, 36B, PT6T-3, 3B, 3BE, 6, 6B, ST6T-75
CA3110998-01	Prop Shaft Shim	PT6A, 60A, 65B, 65R, 65AR, 65AG
CA3118962-01	Gasket	PT6A-6, 6A, 6B, 20A, 20B, 21, 25, 25A, 25C, 27, 28, 34, 34AG, 34B, 36, 114, 114A, 116, 135, 135A
CG3011587	Rod End Bearing	PT6A-15AG, 27, 28, 34, 34AG, 34B, 36, 45R, 60A, 61, 135
MS9371-16	Gasket	PT6

Manufactured by PMA Products, Inc.
Engine photo courtesy of
Air Associates, Olathe, KS



Fuel Transfer Tube



Retainer Plate



Fuel Nozzle Gasket



Prop Shaft Shim



Rod End Bearing



Manifold Gasket



Gasket



Diaphragm

Cowl Flap Hinges for Cessna Aircraft

FAA-PMA direct replacement. Replace worn-out cowl flap hinges at half the cost!

- Assembly includes hinge and hinge pin
- No looseness in the hinge to start vibration wear
- Selective fit pins



Save up to 50%



Aircraft	PartNumber
FR172J,K ²	MC0552144-14
R172K	MC0552144-14
177B	MC1752091-13
180, 180A,B	MC0752000-116
180C,D,E,F,G,H,J,K	MC0752014-15
182B,C,D	MC0752014-15
182E,F,G,H,J,K,L,M,N,P ¹ ²	MC0752625-200
182P ¹ ,Q,R ¹ ²	MC0752625-200
T182 ¹ ²	MC0752625-200
185, 185A,B,C,D,E, A185E,F	MC0752014-15
210-5 (205), 210-5A (205A)	MC1213469-205
206, U206, U206A,B,C,D	MC1213469-205
U206E,F,G	MC1213261-200
P206, P206A,B,C,D	MC1213469-205
P206E	MC1213261-200
TP206A,B,C,D, TU206A,B,C,D	MC1213469-205
TU206E,F,G	MC1213261-200
210B,C,D,E,F,G,H	MC1213469-205
210J,K,L,M,N,R, P210R	MC1213261-200
T210F,G,H	MC1213469-205
T210J,K,L,M,N	MC1213261-200

McFarlane Assembly P/N	Replaces Cessna Part Number		
	Assembly	Hinge Halves	Hinge Pin
MC0552144-14	0552144-14	0552144-15, 0552144-16	0552144-17
MC0752014-15	0752014-15	0752014-15	0752609-27
MC0752000-116	0752000-116	0752000-114	0752000-158
MC0752625-200	0752625-200	0752625-200	0752609-27
MC1213261-200	1213261-200	1213506-5, 1213506-6	1213472-1
MC1213469-205	1213469-205	1213506-3, 1213506-4	1213472-1
MC1752091-13	1752091-13	1752091-14, 1752091-15	1213472-3

Quantity of 2 each required per aircraft. Unless otherwise noted, eligibility is for all aircraft.

- ¹ Partial model eligibility
- ² S/N FR17200441 thru FR17200675
- ³ S/N 18253599 thru 18261425
- ⁴ S/N 18262466 thru 18268160
- ⁵ S/N 18267716 thru 18268160

CASA 212 Cabin Heat Diffuser

FAA-PMA P/N AT-212-73131-1

- Save \$\$\$
- Made of stainless steel
- Resists cracking!

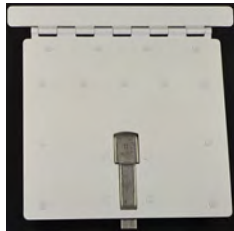
Manufactured by Aero Twin, Inc.

Oil Access Door for Cessna Aircraft

FAA-PMA approved P/N WAC752000

- Improved to better match the contour of the cowl
- More affordable than other replacement doors
- Replaces Cessna P/N 0752000-56

Model	Serial Number
180-180G	30000 thru 18051445
182-182G	33000 thru 18255844
185-185C	185-0001 thru 185-0776
210-210E	57001 thru 21058715



SAVE!

Now manufactured by McFarlane!

Fuel Injection/Hydraulic/Oxygen Line Union Cone

P/N AN800C2-MOD

Improved Design! These braze-on 316 stainless fittings are an improvement over AN800C2 fittings commonly used on 1/8" stainless steel fuel injection, hydraulic and oxygen lines.

Improvements include:

- Witness hole to assure complete braze penetration
- Closer tolerance ID (0.131" - 0.133") to assure compatibility with close tolerance MIL-T-8504/ASTM A632 stainless steel tubing. The precision ID provides ideal clearance for proper braze penetration.



Note: Although similar, these parts are not manufactured/certified to AN800 specs. Fittings certified to AN800 are available upon request.

Exhaust Valve Guide Cleaning Reamers for Continental and Lycoming Engines

Why McFarlane Special Reamers?

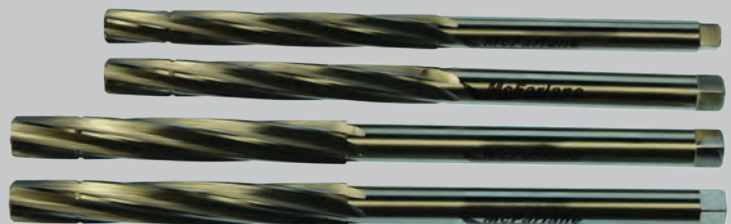
McFarlane now offers special valve guide reamers sized specifically for cleaning Continental and Lycoming exhaust valve guides. Standard valve guide reamers are designed to perfect the guide hole size when reaming new guides. The standard reamer pilot is sized to fit the small bore of a new unfinished guide to insure stability and a straight finished bore. When this same type of reamer is used to clean the valve guides, the pilot is smaller than the finished hole. This causes the reamer to wander and misalign while it is being started and turned in the guide hole.

The McFarlane cleaning reamers have a pilot the same size as the valve stem. This properly sized pilot forces the reamer cutter to start straight and follow the correct valve stem path through the guide hole. **Finally, a tool that is designed for the job!**

While using standard reamers to clean valve guides, you probably have noticed that you have some valve guide metal in the reamer flutes afterwards. This metal is cut from the sides of the guide when hard carbon deposits displace the unguided reamer from the original guide hole, or the reamer was not started in alignment with the guide hole. Wavy or gouged guide holes cause premature carbon buildup, poor heat transfer, and early guide hole wear. Prevent damage to your valve guides by using McFarlane Cleaning Reamers!

Features and Benefits

- Discounted pricing for complete set
- Spiral flutes for a better guide finish
- Pilot sized specifically for cleaning
- Cutting pilot cleans guides without notching guide surfaces
- Constructed of precision ground, high speed tool steel
- See page 351 for additional product information



U.S. Patent
No. 9,878,354

FAA-PMA Approved

Exhaust System Components

D A M™ Exhaust Lube

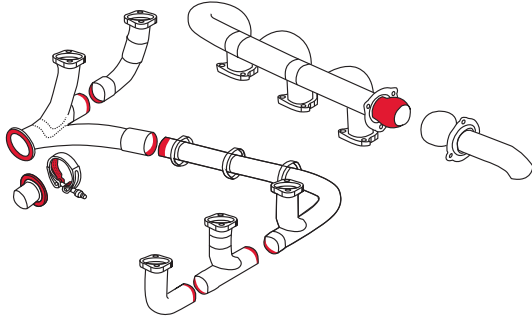
Aircraft Exhaust Anti-seize/Lubricant — The only anti-seize that works!

D A M™ Exhaust Lube is designed specifically for aircraft exhaust ball joints, clamps, slip joints, and hardware. A low viscosity liquid is blended with molybdenum-disulfide and other special micro-lubricants to produce a protective dry lubricant film. This film imbeds into the stainless steel and keeps your joints lubricated for years!

- Protects up to 2400° F
- **No** stainless corroding **graphite**
- Prevents heat corrosion and joint lockup
- Joints stay free to move with thermal expansion
- No greasy powdered metal paste that locks up anyway
- Low viscosity — a little goes a long way
- Loosens assembled joints

Do not use an anti-seize that contains graphite on your exhaust systems. Graphite corrodes and destroys the grain structure of stainless steel.

NEW



FOR BEST RESULTS, APPLY BEFORE ASSEMBLY
(Can also be applied to joint edges on older assemblies)

Handy Swab-top Can!



4 oz. can
P/N DAM20-4.0

Directions

Shake well.

Pre-assembly: Clean joint and apply a wet coat to both surfaces to be joined. The joint can be assembled wet or dry.

Assembled joints: Apply several times to joint edge. Allow time for capillary action to penetrate the joint. For better penetration of locked up joints, mix 50/50 with acetone, MEK, toluene, or similar solvents.

Caravan Exhaust Deflector

P/N ED8-100

P/N ED8-100-3 (with Camera Ops)

Keeps exhaust from impinging on the cargo pod.

For aircraft with infrared cameras installed, P/N ED8-100-3 extends the deflector to avoid the camera view.

- Greatly reduces temperatures on the forward pod
- Save \$\$\$ on repairing heat-induced pod delamination

NEW

Eliminates exhaust stains



Manufactured by Aero Twin, Inc.

CASA 212 Exhaust Deflector

P/N AT-CASA-EXDF-1001

Keeps exhaust from impinging on the wing trailing edge and flaps

- Decreases the amount of corrosion in the flap
- Extends the life span of the flap
- Save \$\$\$ on repairing corroded or damaged areas

Easier to keep the aircraft clean!

Manufactured by Aero Twin, Inc.



NEW

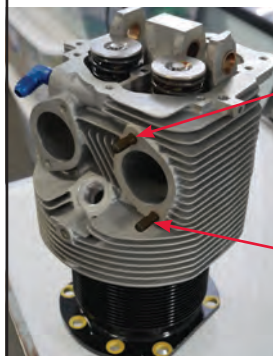
Stainless Steel Exhaust Nuts/Studs

Coming soon mid-2021!

FAA-PMA for Continental and Lycoming engines

Save \$\$\$

- Heat-treated, high-strength stainless alloy
- Nitrocarburized **Black Max™** coating for added corrosion protection and resistance to galling
- Less stress on the exhaust flanges and gaskets as the engine heats up and cools down



Coming soon, mid-2021!

Exhaust Nuts/Studs Part Numbers by Engine	
Continental Engine	
MC22022	
MC401804	
MC401885	
MC401893	
MC402044	
MC402151	
MC657985-1.38	
MC657986-1.25	
MC657986-1.38	
MCMS20500-428	
Lycoming Engine	
MC25C-10	
MC25C-11	
MC25C-8	
MC31-10	
MC31-12	
MC31C-10	
MC31C-12	
MC31C-13	
MC61251	
MCSTD-1410	
MCSTD-1411	
MCSTD-2043	
MCSTD-2044	
MCSTD-2233	
MCSTD-37	

Exhaust Mufflers, Tailpipes, Shrouds, Risers, Clamps and More

Now offering the largest inventory of exhaust system components

McFarlane now has a full product line of exhaust system components, including AWI and Acorn Welding. These leading exhaust manufacturers offer high-quality components for many major aircraft models including Aero Commander, American Champion, Beechcraft, Cessna, Cirrus, Grumman, Mooney, Piper, and Rockwell. Systems and parts for both Continental and Lycoming engines are available.

- FAA-PMA or Transport Canada Part Design Approval
- Largest inventory in the industry!
- One-stop shop for all your needs
- Save money with complete system kit
- Upgrade with Performance kits



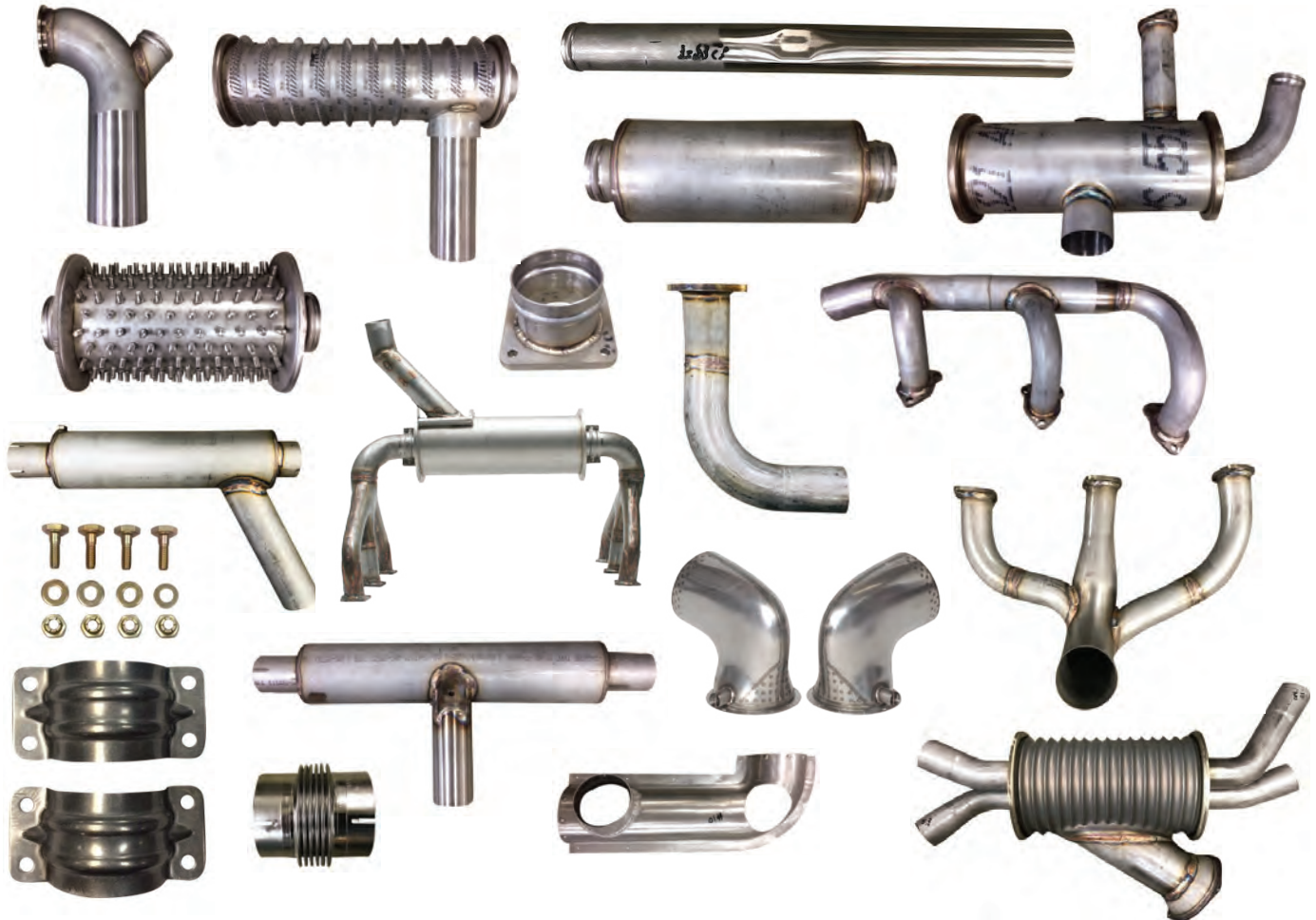
AWI

Specializes in top quality exhaust systems, engine mounts, carb heat boxes, and more. Their replacement parts are made from stainless steel, aluminum, Inconel, titanium, and magnesium. Advanced aero-technology and precision machining ensure the perfect fit for your aircraft.



Acorn Welding

Develops welded, machined, and riveted components for all sectors of aviation. They design and manufacture turbine engine exhaust, Piston aircraft exhaust systems, engine mounts, and support trusses. Other products include assemblies such as induction boxes, seat frame elements, and engine and flight control linkages. Their exhaust products are made from stainless steel or Inconel with design improvements that reduce thermal fatigue and provide longer life.



Exhaust System Components

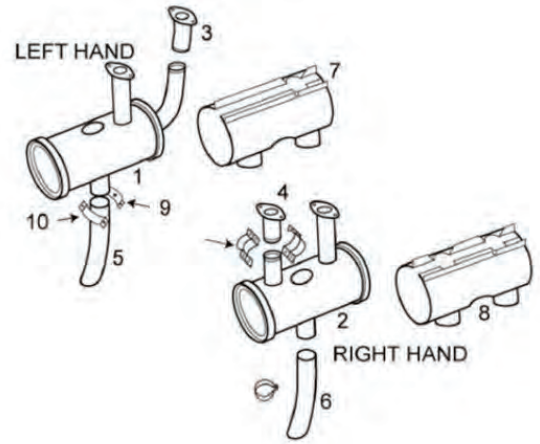
150, 150A, B, C, D, E, F, G, H, J, K, L, M, A150K, L, M
F150F, G, H, J, K, L, M, FA150K, L
S/N 17001 thru 15079405
A1500001 thru A1500734
F150-0001 thru F15001428
FA1500001 thru FA1500120

Description	Idx	Part Number
Clamp Half, w/Pin	9	A0450338-9
Clamp Half, w/o Pin	10	A0450338-10
Clamp, Riser Set	N/A	568-06 0550176-50
Clamp, Tailpipe Hanger	N/A	MS27405-16P
Gasket, Cylinder	N/A	627429
Muffler, LH	1	0450400-3AWL A0450400-3
Muffler, RH	2	0450400-26AWL A0450400-26
Riser, Curved, LH	3	0450338-76AWL A0450338-69
Riser, Straight, RH	4	0450338-74AWL A0450338-70 A0450338-14
Shroud, LH	7	0450400-200AWL
		0450400-201AWL
		0450400-200 A0450400-201
Shroud, RH	8	0450400-6AWL
		A0450400-6
		0450338-67AWL A0450338-67
Tailpipe, LH	5	0450338-67AWL A0450338-67
		0450338-66AWL A0450338-66

Part numbers with "A" prefix are manufactured by AeroSpace Welding Minneapolis, Inc. (AWI)
Part numbers with "AWL" suffix are manufactured by Acorn Welding, Ltd.

Notes:

- 1 Models 150, 150A, B, C, D, E, F, G, H, J, K, L, M only
- 2 Models 150 S/N 17001 thru 17999, 59001 and on, 150A, B, C, D, E, F, G
- 3 Models 150E S/N 15061329 and on, 150F, G, H, J, K, L, M
- 4 Models 150E S/N 15061329 and on, 150F, G, H, J, K, L, M, A150K, L, M
- 5 Models 150E S/N 15061329 and on, 150F, G, H, J, K, L, M, FA150K, L only
- 6 Models 150E S/N 15061329 and on, 150F, F150F, F150G S/N F150-0068 thru F150-0087 only
- 7 Models 150H, J, K, L, M, A150K, L, M only
- 8 Models 150H, J, K, L, M, A150K, L, M, F150H, J, K, L, FA150K, L only
- 9 Models 150H, J, K, L, M, A150K, L, M, F150K, L, M, FA150K, L only
- 10 May be purchased as part of the Cessna 150 Conversion Kit, which includes 2 mufflers, 2 risers, 2 tailpipes, 2 shrouds, gaskets, riser clamps, tailpipe clamps, and attaching hardware
- 11 (1) Required for each tailpipe, (2 per system)
- 12 At initial replacement order muffler, riser, and shroud for S/N 17001 thru 15061328, and F150-0001 thru F150-0087
- 13 Uses 2.5" Riser P/N A0450400-26 and A0450338-70
- 14 2 Bolt Flange
- 15 (2) 2" Ports
- 16 (1) 2" Port, (1) 3" Port



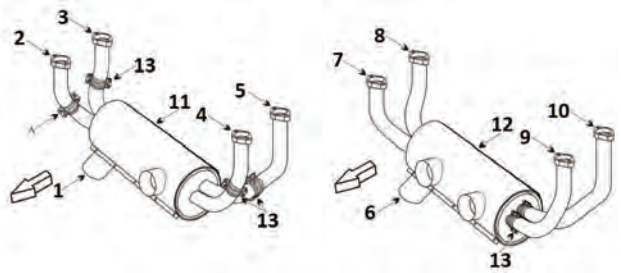
152, A152, F152, FA152
S/N 15279406 thru 15286033
A1520735 thru A1521049
F15201429 thru 15201980
FA1520337 thru FA1520425

Description	Idx	Part Number
Clamp	13	A0750161-25
Muffler Assembly	1	A0454009-5 0454009-5AWL
Muffler Assembly, w/Stubs	6	A0454009-6
Riser Assembly, LH Aft	5	A0454002-10 0454002-10AWL
Riser Assembly, RH Aft	3	A0454002-1
		A0454002-2
Riser Assembly, LH Fwd	4	A0454002-3 A0454002-11
		A0454002-11AWL
Riser Assembly, RH Fwd	2	A0454002-2 A0454002-4
		A0454002-4AWL
		A0454023-4
Shroud Assembly	11	0454010-9AWL
		0454010-1AWL

Part numbers with "A" prefix are manufactured by AeroSpace Welding Minneapolis, Inc. (AWI)
Part numbers with "AWL" suffix are manufactured by Acorn Welding, Ltd.

Notes:

- 1 Model 152 only
- 2 Models 152 S/N 15285092 and on, 152A S/N A1520976 and on
- 3 Models 152 S/N 15279406 thru 15285091, A152 S/N A1520735 thru A1520975, F152 S/N F15201429 thru F15201893, FA152 S/N FA1520337 thru FA1520377
- 4 Models 152 S/N 15279406 thru 15283591, A152 S/N A1520735 thru A1520878, F152 S/N F15201429 thru F15201673, FA152 S/N FA1520337 thru FA1520357
- 5 Models 152 S/N 15283592 and on, A152 S/N 1520879 and on, F152 S/N 15201674 and on, FA152 S/N 1520378 and on
- 6 Use with A0454009-5 Muffler
- 7 Use with A0454009-6 Muffler
- 8 Must be a stock aircraft. No engine modifications or supplemental type certificates.



Part numbers with "A" prefix are manufactured by AeroSpace Welding Minneapolis, Inc. (AWI)

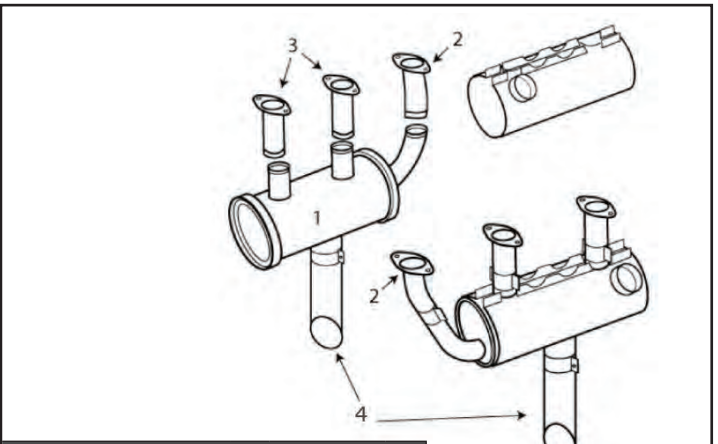
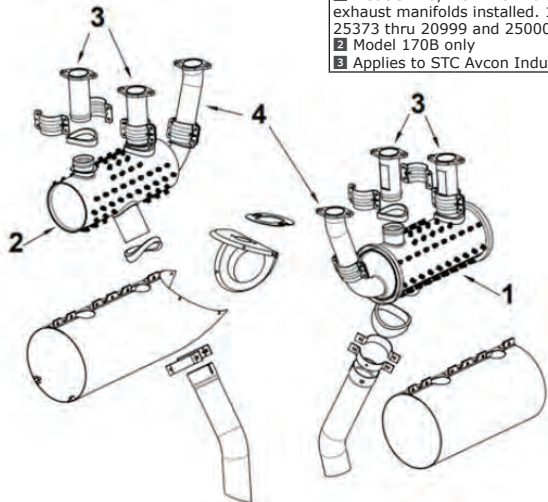
Part numbers with "AWL" suffix are manufactured by Acorn Welding, Ltd.

170, 170A, B
S/N 18000 thru 27169

Description	Idx	Part Number
Muffler, Avcon	N/A	15006AWL
Muffler, LH	1	A0550157-9
Muffler, RH	2	A0550157-32
Riser, Curved	4	A0550157-8
Riser, Straight	3	A0450338-14

Notes:

- 1 Models 170, 170A with Hanlon-Wilson exhaust manifolds installed. 170B S/N 25373 thru 20999 and 25000 thru 27169
- 2 Model 170B only
- 3 Applies to STC Avcon Industries Muffler



172, 172A, B, C, D, E, F, G, H
S/N 28000 thru 47746
17247747 thru 17256512

Description	Idx	Part Number
Muffler Assembly, with O-300	1	A0550176-59
Muffler Assembly, Avcon	N/A	15006AWL
Riser, Curved	2	A0550176-57
Riser, Straight	3	A0450338-14
Tailpipe, 7.5"	4	A0550176-54
Tailpipe, Extended	4	A10172-013-2

Notes:

- 1 172B, C, D, E, F, G, H
- 2 172B S/N 17248732 to 17248734, 172C, D, E, F, G, H
- 3 Applies to STC Avcon Industries muffler

Part numbers with "A" prefix are manufactured by AeroSpace Welding Minneapolis, Inc. (AWI)

Part numbers with "AWL" suffix are manufactured by Acorn Welding, Ltd.

1721, K,L,M,N,P,Q,R, RG,S		
S/N 17256513 thru 17276654		
17280001 thru 17299999		
172RG0001 thru 172RG1191		
172S8001 thru 172S99999		
Description	Idx	Part Number
Clamp Half, w/Pin	7	A0750161-24 7 11 12 13
Clamp Half, w/o Pin	7	A0750161-22 7 11 12 13
Muffler Assembly	1	A9954100-9 6 8
		9954100-9AWL 6
		A1754001-23 4
		A1754001-9 1
Muffler Assembly, Avcon	1	15006AWL 8 9
		1754008-1AWL 2
Riser, LH Aft	3	A9954100-5 9 10
	8	9954100-5AWL 8
Riser, RH Aft	2	9954100-4AWL 6
	4	1754009-1AWL 2
Riser, LH Fwd	5	A9954100-6 5
	5	9954100-6AWL 6
Riser, RH Fwd	5	9954100-7AWL 6
Tailpipe	N/A	A2454000-15 7 11 12

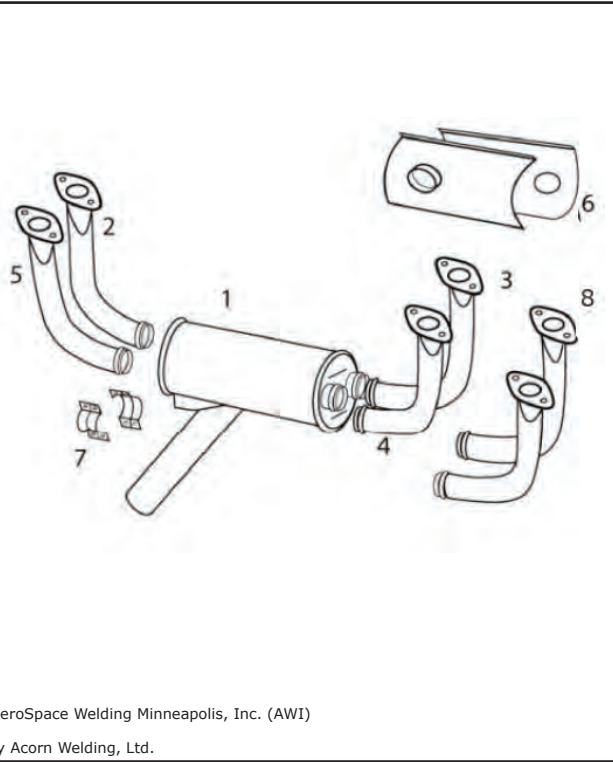
Notes:

- Models 1721,K only
- Models 1721,K,L,M,N,P,Q only
- Models 1721,K,L,M,N,P only
- Models 172L,R,S only
- Models 172Q S/N 17275869 through 17276054, 17276101 through 17276211, 172R,S only
- Models 172R,S only
- Model 172RG only
- Inconel Material
- Applies to STC Avcon Industries muffler
- Must be a stock aircraft. No engine modifications or engine Supplemental Type Certificates.
- AD 83-14-04 requires modification of shroud & inspection of muffler and shroud rings
- AD 85-20-01 one time compliance to inspect for holes to be drilled into muffler core
- May be purchased as part of the A0750161-KIT which includes A0750161-22 Clamp w/Pin, A0750161-24 Clamp w/o Pin, and attaching hardware

Lycoming Engine		
1721, K,L,M,N,P,Q,R, RG,S		
S/N 17256513 thru 17276654		
17280001 thru 17299999		
172RG0001 thru 172RG1191		
172S8001 thru 172S99999		
Description	Idx	Part Number
Clamp Set, Riser	7	A0750161-25 7
Muffler, w/Baffles	1	A1754001-9 1
Muffler, w/o Baffles	1	A1754001-25 5 7
		1754001-25AWL 8
Riser, LH Aft	3	A1754008-1 2
Riser, RH Aft	2	1754008-1AWL 2
		A1754007-1 4 7
Riser, LH Fwd	4	9954100-4AWL 4
		A1754009-1 2
Riser, RH Fwd	5	1754009-1AWL 2
		A1754010-1 4 7
Shroud, Muffler	6	9954100-7AWL 4
		A9954100-3 6 7

Notes:

- 1721,K
- 1721,K,L,M,N,P
- 1721,K,L,M,N,P,Q
- 1721,K,L,M,N,P,R,S
- 1721,R,S
- 172M S/N 17261899 and on, 172R S/N 17280001 and on, 172S S/N 172S8001 and on
- Must be installed on a stock aircraft. No engine modifications or supplemental type certificates.

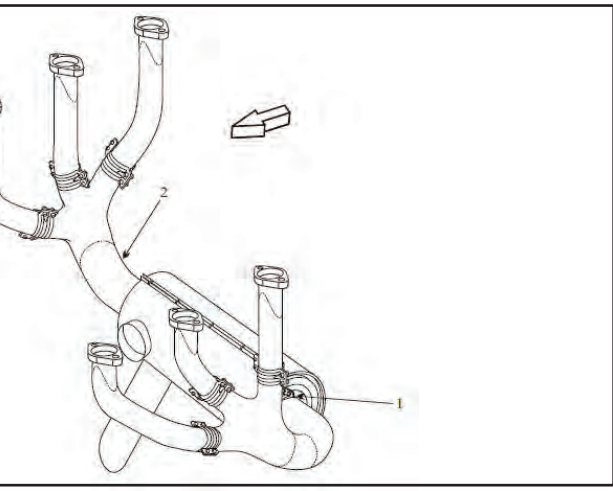


Part numbers with "A" prefix are manufactured by AeroSpace Welding Minneapolis, Inc. (AWI)
 Part numbers with "AWL" suffix are manufactured by Acorn Welding, Ltd.

P172D, R172E, F, G, H, J, K, R172K		
S/N P17257120 thru P17257189		
R1720001 thru R1720620		
R1722000 thru R1723454		
Description	Idx	Part Number
Clamp Half, w/o Pin	1	A0750161-22 2 6 7 8
Clamp Set, 2 Halves	N/A	A1250860-29 3
Muffler Assembly	2	A1455009-3 3
		1455009-3AWL 3
Muffler Assembly, Float Plane	2	A1455009-3FP 3
Muffler Assembly, Avcon	N/A	15006AWL 1 5

Notes:

- Models 1721,K,L,M,N,P,Q only
- Models 1721,K,L,M,N,P only
- Models 172L,R,S only
- Models 172Q S/N 17275869 through 17276054, 17276101 through 17276211, 172R,S only
- Models 172R,S only
- Model 172RG only
- Inconel Material
- Applies to STC Avcon Industries muffler



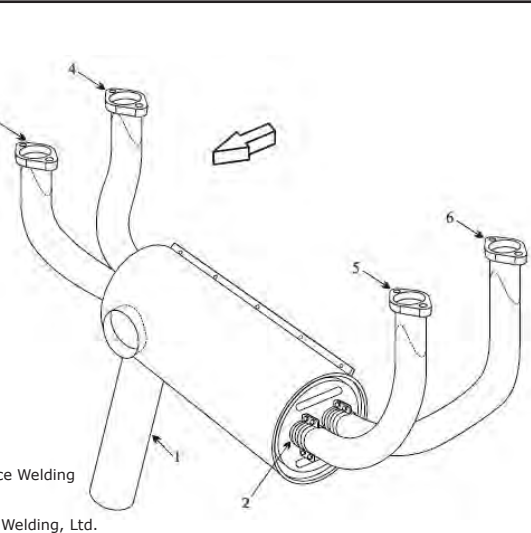
Part numbers with "A" prefix are manufactured by AeroSpace Welding Minneapolis, Inc. (AWI)
 Part numbers with "AWL" suffix are manufactured by Acorn Welding, Ltd.

177, 177A, B		
S/N 17700001 thru 17702752		
Description	Idx	Part Number
Muffler	1	A1754001-25 1 3
		1754001-25AWL 1 3
Riser, Clamp Set	2	A0750161-25 1
Riser, LH Aft	6	A1754008-1 1
		1754008-1AWL 1
		A9954100-5 2 3
Riser, RH Aft	4	9954100-5AWL 2
		A1754007-1 3
Riser, LH Fwd	5	9954100-4AWL 3
		A1754009-1 1
		1754009-1AWL 1
Riser, RH Fwd	3	A9954100-6 2 3
		9954100-6AWL 2 3
		A1754010-1 3
		9954100-7AWL 3

Notes:

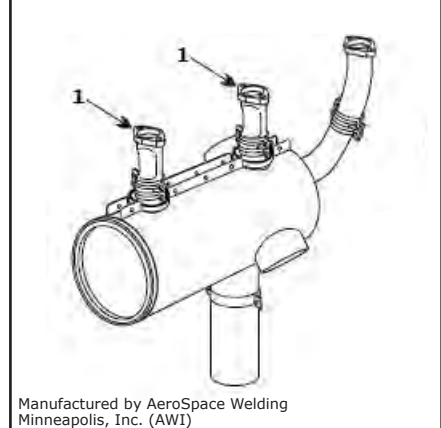
- Models 1721,K,L,M,N,P,Q only
- Models 1721,K,L,M,N,P only
- Models 172L,R,S only
- Models 172Q S/N 17275869 through 17276054, 17276101 through 17276211, 172R,S only

Part numbers with "A" prefix are manufactured by AeroSpace Welding Minneapolis, Inc. (AWI)
 Part numbers with "AWL" suffix are manufactured by Acorn Welding, Ltd.



175, 175A, B, C		
S/N 55001 thru 56777		
17556778 thru 17557119		
Description	Idx	Part Number
Riser, Straight	1	A0450338-14

Manufactured by AeroSpace Welding Minneapolis, Inc. (AWI)



Exhaust System Components

180 S/N 3000 thru 32150		
Description	Idx	Part Number
Collector Assembly	5	0750238-20AWL 3
	N/A	0750130-48AWL 2
Muffler	1	A0750290-3 1
	1	0750290-3AWL 1
	2	C-1851D-1 5
	2	C-1851D-3 6
	3	0750238-5AWL 4
Riser, Center	4	0750290-25AWL 1
Tailpipe, LH	4	0750290-26AWL 1

Notes:
1 Model 180 only
2 Models 180,180A,B,C,D,E,F,G,H,J only
3 This exhaust stack is 15" Tall and has a center slip riser PN 0750238-5AWL. Where the exhaust is installed VIA SA00780NY upgrade STC the entire kit must be initially replaced. On aircraft SN 18256685 thru 18257608 both exhaust stacks must be changed at initial replacement as there is a change to increase the distance between the muffler shroud and the intake duct (Refer to Cessna SL67-37). Also, this exhaust stack is designed for use on the O-470 Series engines only.
4 This exhaust stack center slip riser is designed to fit the 0750238-20AWL/-210AWL/-47AWL exhaust stacks. It will also work with other Cessna 0750238-XX series exhaust stacks.
5 Muffler w/Cones
6 Muffler w/o Cones

180,180A,B,C,D,E,F 182,182A,B,C,D S/N 32151 thru 18051312 33000 thru 18253598		
Description	Idx	Part Number
Collector Assembly	N/A	0750130-48AWL
	N/A	A0750130-6
Muffler	N/A	A0750130-12 3 6
	N/A	0750130-12AWL 3
	N/A	A0750130-44 4 7
	N/A	0750130-44AWL 4 7
	2	C-1851D-1 9
	2	C-1851D-3 10
Muffler, 7.5" tailpipe	N/A	A0750130-9 1 5
	N/A	0750130-9AWL 1 5
Riser, LH Aft/RH Fwd	N/A	0750130-5AWL 2
Riser, RH Aft/LH Fwd	N/A	0750130-3AWL 2
Riser, Center	3	0750238-5AWL 8
	N/A	0750130-4AWL 2

Notes:
1 Models 180 S/N 32151 and on,180A S/N 32662 thru 50105,182,182A S/N 33843 thru 34753
2 Models 180 S/N 32151 and on,180A S/N 32662 thru 32999, 50001 and on,180B,C,D,E,F,182,182A S/N 33843 thru 34999, 51001 and on,182B,C,D
3 Models 180A S/N 50106 and on, 182A S/N 51557 and on
4 Models 180B S/N 50356 and on, 180C,D,E,F,182, 182A,B,C,D
5 Shroud ring close to the tailpipe
6 Shroud ring opposite side away from tailpipe
7 4 fins and center ring
8 This exhaust stack center slip riser is designed to fit the 0750238-20AWL/-210AWL/-47AWL exhaust stacks. It will also work with other Cessna 0750238 series exhaust stacks.
9 Muffler w/Cones
10 Muffler w/o Cones

180G,H,J,K, 182E,F,G,H,J,K,L,M,N,P,O,R S/N 18051313 thru 18053203 18253599 thru 18268586		
Description	Idx	Part Number
Collector Assembly	5	0750238-20AWL 9
	5	0750238-210AWL 3 11
Muffler	N/A	0750130-48AWL 1
	N/A	0750238-47AWL 8 10
	N/A	A0750130-6 4
	N/A	0750130-54AWL 5
	N/A	A0750130-60 6
	N/A	0750130-60AWL 6
	2	C-1851D-1 13
	2	C-1851D-3 14
Muffler, Float Plane	1	A0750161-89FP 2
Riser, Center	3	0750238-5AWL 12
Shroud	6	A0750161-87 2
	6	0750161-87AWL 2 15
	6	0750161-40AWL 7 16

Notes:
1 Models 180G,H,J,182E,F
2 Models 180G,H,J,K,182N S/N 18260446 and on, 182P,Q,R only
3 Models 180G,H,182G,H,J, 182G,H,J,K,L,M,N,P,Q,R
4 Models 182E,F only
5 Model 182E only
6 Model 182F only
7 Models 182G,H,182J,K,L,M,N S/N 18260056 thru 18260445. 182J S/N 18256685 thru 18257608 also eligible if equipped with exhaust stack 0750238-20AWL.
8 Models 182H,J,K only
9 This exhaust stack is 15" Tall and has a center slip riser PN 0750238-5AWL. Where the exhaust is installed via SA00780NY upgrade STC the entire kit must be initially replaced. On aircraft SN 18256685 thru 18257608 both exhaust stacks must be changed at initial replacement as there is a change to increase the distance between the muffler shroud and the intake duct (Refer to Cessna SL67-37). Also, this exhaust stack is designed for use on the O-470 Series engines only.
10 This exhaust stack is 15" Tall and has a center slip riser PN 0750238-5AWL. Dimensionally it is the same height as the 0750238-20AWL. This exhaust stack has reinforcement doublers at the engine attach flanges and is made from 25% thicker material.
11 This exhaust stack is 15.5" Tall and has a center slip riser PN 0750238-5AWL. On aircraft SN 18256685 thru 18257608 both exhaust stacks must be changed to 0750238-20AWL or 10182-049-1 shroud must be used or there will be contact between the muffler shroud and the intake duct (Refer to Cessna SL67-37). On Aircraft 18051313-18051551 and 18255059-18256329 you will either need to procure 0750225-1/-2 clamps to mount 0750607-4/-5 Carb heat shrouds or install SK182-78. Also, this exhaust stack is designed for use on the O-470 Series engines only.
12 This exhaust stack center slip riser is designed to fit the 0750238-20AWL/-210AWL/-47AWL exhaust stacks. It will also work with other Cessna 0750238 series exhaust stacks.
13 Muffler w/Cones
14 Muffler w/o Cones
15 Acceptable to mirror exhaust exit hole on DWG 005-259 on aircraft modified for skydive operations requiring reversed exhaust
16 Acceptable to mirror exhaust exit hole on DWG 005-260 on aircraft modified for skydive operations requiring reversed exhaust

Figure 1

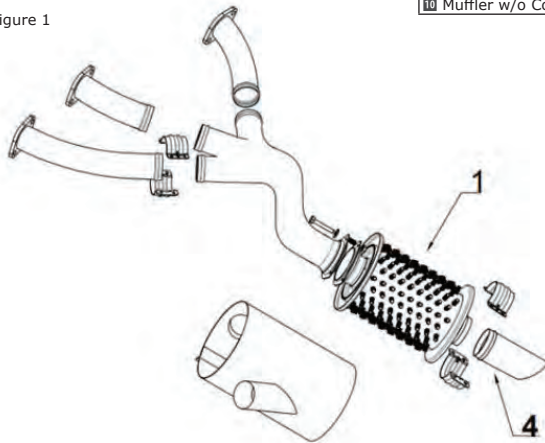
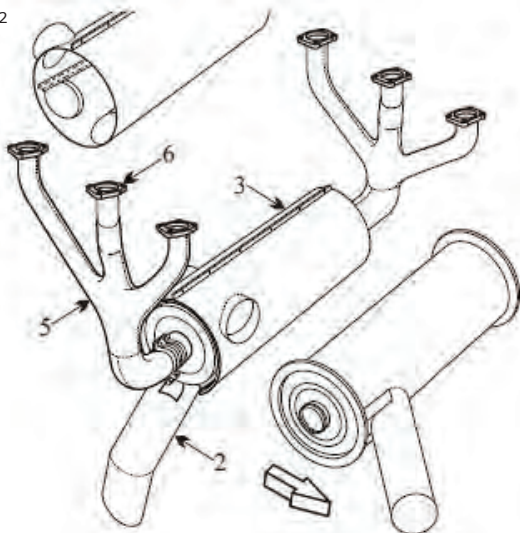


Figure 2



Part numbers with "A" prefix are manufactured by AeroSpace Welding Minneapolis, Inc. (AWI)

Part numbers with "AWL" suffix are manufactured by Acorn Welding, Ltd.

For the most up-to-date eligibility and product images, visit our website, or scan this code for direct access!

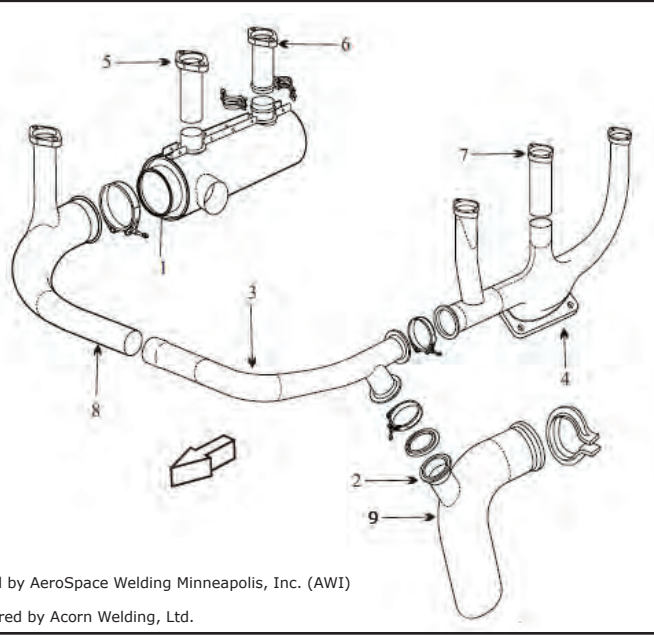


.../products/category/exhaust-system/

T182,TR182
S/N 18267716 thru 18268541
R18200001 thru R1820241

Description	Idx	Part Number
Crossover Assembly, LH	3	2254008-4AWL 1
Crossover Assembly, RH	8	2254013-1AWL
Heat Exchange	4	2254012-2AWL 1 2
Riser	2	2254015-1AWL
Riser Assembly	2	2254009-1AWL
Riser, LH Center	7	2254005-1AWL
Riser, RH Center	5	2254005-3AWL
Riser, RH Aft	6	2254005-5AWL
Tailpipe	9	2254010-1AWL
Tailpipe, Adapter	1	2254009-1AWL

Notes:
1 Model TR182 Only
2 Service Letter SE80-9 Must be complied with or exhaust stack may fail. (Installation of SK182-62A)



FR182, R182
S/N FR18200001 thru FR18200070

Description	Idx	Part Number
Muffler	N/A	A1250250-5
	N/A	1250250-5AWL
	N/A	A1250251-13
Riser, Center	N/A	2254000-1AWL
Stack, LH	N/A	2254003-3AWL
Stack, RH	N/A	2254003-4AWL
Tailpipe, LH	N/A	A2254003-17
Tailpipe, RH	N/A	A2254003-18

Notes:
1 Model FR182 Only
2 Models FR182,R182 only
3 Model R182 S/N R18200001 thru R18201798 only
4 Model R182 S/N R18200002 thru R18202041 only
5 This exhaust stack center slip riser is designed to fit the 0750238-20AWL/-210AWL/-47AWL exhaust stacks. It will also work with other Cessna 0750238 series exhaust stacks.

Part numbers with "A" prefix are manufactured by AeroSpace Welding Minneapolis, Inc. (AWI)

Part numbers with "AWL" suffix are manufactured by Acorn Welding, Ltd.

Exhaust System Components

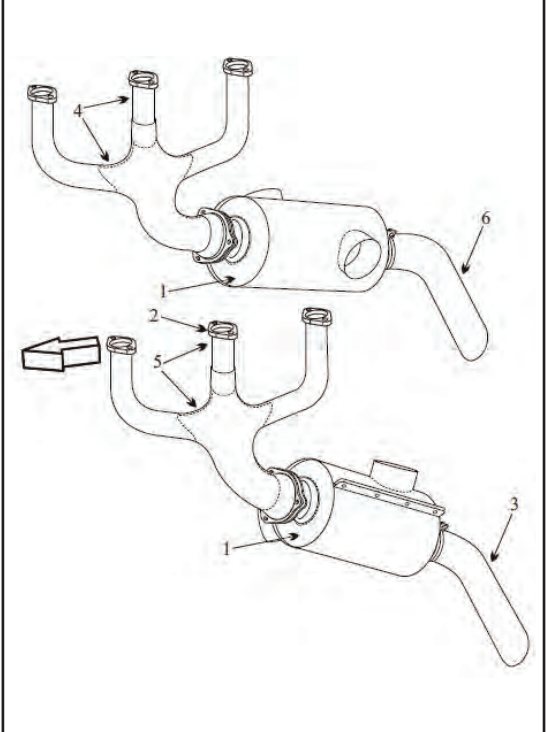
Part numbers with "A" prefix are manufactured by AeroSpace Welding Minneapolis, Inc. (AWI)

Part numbers with "AWL" suffix are manufactured by Acorn Welding, Ltd.

182S,T
S/N 18280001 thru 182999999

Description	Idx	Part Number
Muffler	1	A1254017-19
Riser, Center	2	0750238-5AWL
Stack, LH	5	9954200-5AWL
Stack, RH	4	9954200-6AWL
Tailpipe, LH	3	A9954200-11
	6	9954200-11AWL
Tailpipe, RH	3	A9954200-12
	6	A9954200-12

Notes:
1 Models 182S,T only
2 Models 182S S/N 18280287 thru 1828094, 182T only
3 This exhaust stack center slip riser is designed to fit the 0750238-20AWL/-210AWL/-47AWL exhaust stacks. It will also work with other Cessna 0750238 series exhaust stacks.



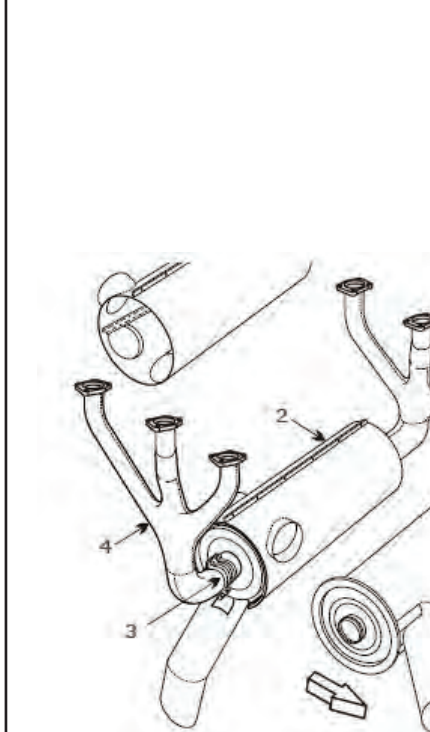
Part numbers with "A" prefix are manufactured by AeroSpace Welding Minneapolis, Inc. (AWI)

Part numbers with "AWL" suffix are manufactured by Acorn Welding, Ltd.

185, 185A, B, C, D, E, A185E, F
S/N 185-0001 thru 185-1599
18501600 thru 18504448

Description	Idx	Part Number
Clamp, Tailpipe	3	A0750161-22 5 11 12 13
Clamp, Riser	N/A	A0750161-25 2 13
Collector Assembly	4	0750238-210AWL 3 10
	9	0750238-47AWL 9
Muffler	N/A	A0750161-28 6
Muffler, Float Plane	1	A0750161-89FP 7
Riser Assembly	5	0750238-5AWL 1 17
Shroud, Muffler	2	A0750161-87 8 15
	13	0750161-87AWL 8 15
Collector, Slip Center, 15"	4	A0750238-20 4 14
Collector, Slip Center, 15.5", Float Plane	4	A0750238-47 10

Notes:
1 Models 185,185A,B,C,D,E, A185E,F only
2 Models 185,185A,B,C,D,E only
3 Models 185,185A,B,C,D,E, A185E only
4 Models A185F S/N 18502311 thru 18504394 only
5 Models 185,185A,B,C,D,E only
6 Models 185,185A,B,C,D,E,A185E,F only
7 Models A185E,F only
8 Model A185F S/N 1854418 and on only
9 AD 83-14-04 requires modification of shroud and inspection of muffler and shroud rings
10 AD 85-20-01 one time compliance to inspect for holes to be drilled into muffler core
11 Must be a stock aircraft. No engine modifications or supplemental type certificates.
12 New Stack does not have center riser clamps
13 Shroud ports are approximately 180 degrees from each other
14 Designed for use on O-470 Series engines only
15 Designed to fit the 0750238-20AWL/-210AWL/-47AWL exhaust stacks. It will also work with other Cessna 0750238 series exhaust stacks.
16 This exhaust stack is designed for use on the O-470 Series engines only
17 This exhaust stack center slip riser is designed to fit the 0750238-20AWL/-210AWL/-47AWL exhaust stacks. It will also work with other Cessna 0750238 series exhaust stacks.
18 May be purchased as part of the A0750161-KIT which includes A0750161-22 Clamp w/Pin, A0750161-24 Clamp w/o Pin, and attaching hardware.



Part numbers with "A" prefix are manufactured by AeroSpace Welding Minneapolis, Inc. (AWI)

Part numbers with "AWL" suffix are manufactured by Acorn Welding, Ltd.

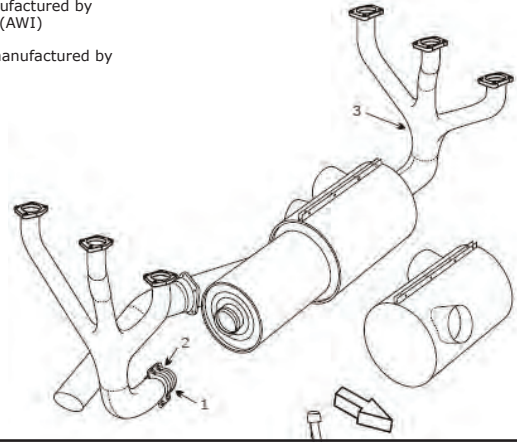
FAA-PMA Approved

Exhaust System Components

188, 188A, B S/N 188-0001 thru 18802348		
Description	Idx	Part Number
Clamp, Tailpipe, w/Pin	1	A0750161-24 <i>Pending approval!</i> 2 3
Clamp, Tailpipe, w/o Pin	2	A0750161-22 <i>Pending approval!</i> 2 3
Collector Assembly	3	0750238-210AWL 1 4 5

Notes:
1 Models 188, 188A, 188B S/N 18800833 thru 1880145 only
2 AD 83-14-04 requires modification of shroud & inspection of muffler and shroud rings
3 AD 85-20-01 one time compliance to inspect for holes to be drilled into muffler core
4 Must be a stock aircraft. No engine modifications or supplemental type certificates
5 On aircraft S/N 18256685 thru 18257608 both exhaust stacks must be changed to 0750238-20AWL or 10182-049-1 shroud must be used or there will be contact between the muffler shroud and the intake duct (Refer to Cessna SL67-37). On Aircraft 18051313 thru 18051551 and 18255059 thru 18256329 you will either need to procure 0750225-1/-2 clamps to mount 0750607-4/-5 carb heat shrouds or install SK182-78. Also, this exhaust stack is designed for use on the O-470 Series engines only.

Part numbers with "A" prefix are manufactured by AeroSpace Welding Minneapolis, Inc. (AWI)
 Part numbers with "AWL" suffix are manufactured by Acorn Welding, Ltd.



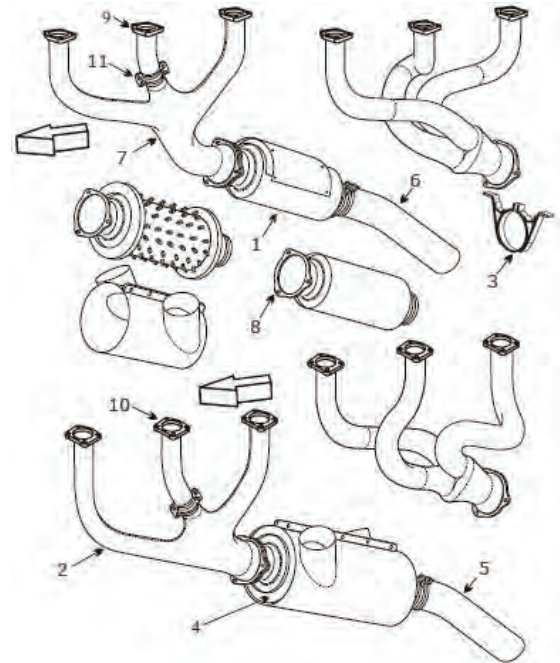
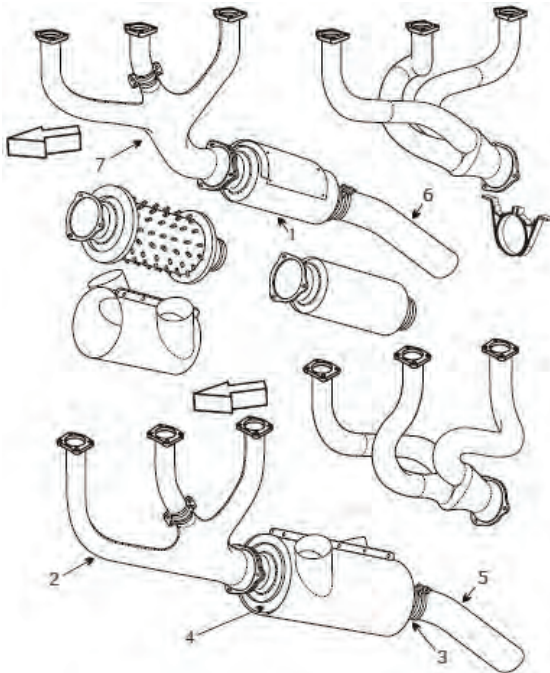
210-5 (205), 210-5A (205A) S/N 205-001 thru 205-0577		
Description	Idx	Part Number
Clamp, Tailpipe	3	1250259-1AWL
Collector Assembly, LH, High Performance	2	A1250263-2HP 2
Collector Assembly, RH, High Performance	7	A1250264-2HP 2
Muffler, LH	4	A1250250-5 1
Muffler, RH	1	1250251-13AWL 1 A1250251-13 1
Tailpipe, LH	5	1250256-7AWL
Tailpipe, RH	6	1250257-7AWL

Part numbers with "A" prefix are manufactured by AeroSpace Welding Minneapolis, Inc. (AWI)
 Part numbers with "AWL" suffix are manufactured by Acorn Welding, Ltd.

Notes:
1 Model 210-5 (205) only
2 This part is a modification part and has a Supplemental Type Certificate (STC SA02809CH)

206, P206, P206A, B, C, D, E, U206, U206A, B, C, D, E, F, G S/N 206-0001 thru 206-0275 P206-0002 thru P20600647 T20608001 thru T206999999 U206-0276 thru U20607020		
Description	Idx	Part Number
Clamp Half, w/o Pin	11	A0750161-22 4 11 12 16
Clamp, Riser	11	A0750161-25 1 14
Clamp, Tailpipe	3	1250259-1AWL 5
Collector Assembly, LH	2	A1250263-2M 9 13 1250263-2AWL 2
Collector Assembly, RH	7	A1250264-2M 9 13 1250264-2AWL 2 15
Collector Assembly, LH, High Performance	2	A1250263-2HP 2 13
Collector Assembly, RH, High Performance	7	A1250264-2HP 2 13
Muffler, LH	4	A1250250-5 1 1250250-5AWL 2
Muffler, RH	1	1250251-13AWL 6 A1250251-13 8
Muffler, 650-92 Alternative	8	A1250251-16 10 1250251-16AWL 7
Riser Assembly, LH	10	1254011-1AWL 2
Riser Assembly, RH	9	1250251-9AWL 2
Tailpipe, LH	5	A1250256-7 3 1250256-7AWL 3
Tailpipe, RH	6	A1250264-6 3 1250257-7AWL 3

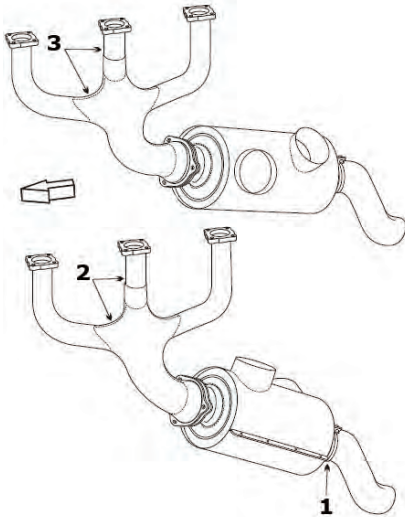
Notes:
1 Models 206, U206, U206A, B, C, D, E, F, G only
2 Models 206, P206, P206A, B, C, D, E, U206, U206A, B, C, D, E, F, G only
3 Models 206, P206, U206 only
4 Models 206, U206F, G only
5 Models 206, U206, U206A, B, C, D, E S/N U206-1445 thru U206-1669, P206, P206A, B, C, D, E Models 206, U206F, G only
7 Model U206 only
8 Models U206F S/N U20602200 thru U20603020 only
9 Models U206F, G only
10 Models U206F S/N U20603021 thru U20603521, U206G S/N U20603522 thru U20605919 only
11 AD 83-14-04 requires modification of shroud and inspection of muffler and shroud rings
12 AD 85-20-01 one time compliance to inspect for holes to be drilled into muffler core
13 This part is a modification part and has a Supplemental Type Certificate (STC SA02809CH)
14 Must be a stock aircraft. No engine modifications or supplemental type certificates.
15 Always buy with Riser 1250251-9AWL
16 May be purchased as part of the A0750161-KIT which includes A0750161-22 Clamp w/Pin, A0750161-24 Clamp w/o Pin, and attaching hardware



Part numbers with "A" prefix are manufactured by AeroSpace Welding Minneapolis, Inc. (AWI)
 Part numbers with "AWL" suffix are manufactured by Acorn Welding, Ltd.

206H S/N 20608001 thru 206999999		
Description	Idx	Part Number
Clamp, Riser	N/A	A0750161-25 1
Collector Assembly, LH	2	9954300-5AWL
Collector Assembly, RH	3	9954300-6AWL
Muffler	1	9954300-9AWL

Notes:
1 Must be a stock aircraft. No engine modifications or supplemental type certificates.



Part numbers with "A" prefix are manufactured by AeroSpace Welding Minneapolis, Inc. (AWI)

Part numbers with "AWL" suffix are manufactured by Acorn Welding, Ltd.

T206H S/N T20608001 thru T206999999		
Description	Idx	Part Number
Clamp Half, w/o Pin	N/A	A0750161-22 1 2 3
	N/A	40B22190AWL
Elbow, Cylinder #1	N/A	40B23387AWL 4
Stack, Cylinder#2	N/A	40B22318AWL
	N/A	40B23386AWL 6
Stack, Cylinder#3	N/A	40B22621AWL
	N/A	40B23388AWL 9
Stack, Cylinder#4	N/A	40B22379AWL
	N/A	40B23385AWL 7
Stack, Cylinder #5	N/A	40B22267AWL
Stack, Cylinder#6	N/A	40B22380AWL
	N/A	40B23384AWL 8
Stub, Cylinder#4	N/A	40G22384AWL
Stub, Cylinder#5	N/A	40B22193AWL
	N/A	40B23389AWL 5

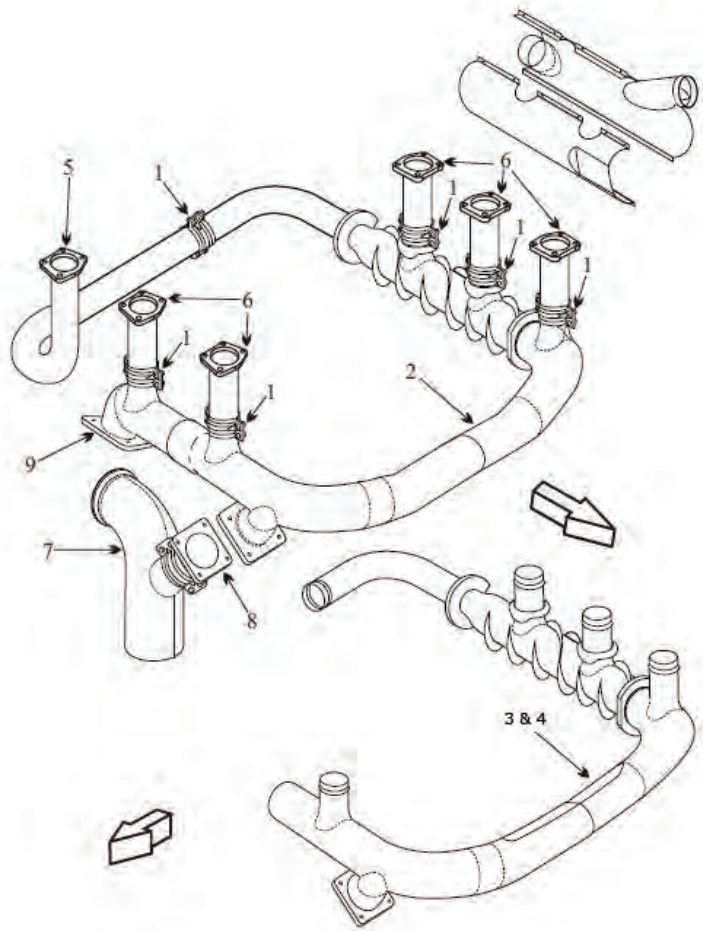
Notes:
1 AD 83-14-04 requires modification of shroud and inspection of muffler and shroud rings
2 AD 85-20-01 one time compliance to inspect for holes to be drilled into muffler core
3 May be purchased as part of the A0750161-KIT which includes A0750161-22 Clamp w/Pin, A0750161-24 Clamp w/o Pin, and attaching hardware
4 Identical to 40B22190AWL except for addition of welded threaded Probe Bung for threaded type EGT system required on install of certain types of Avionics
5 Identical to 40B22193AWL except for addition of welded threaded Probe Bung for threaded type EGT system required on install of certain types of Avionics
6 Identical to 40B22318AWL except for addition of welded threaded Probe Bung for threaded type EGT system required on install of certain types of Avionics
7 Identical to 40B22379AWL except for addition of welded threaded Probe Bung for threaded type EGT system required on install of certain types of Avionics
8 Identical to 40B22380AWL except for addition of welded threaded Probe Bung for threaded type EGT system required on install of certain types of Avionics
9 Identical to 40B22621AWL except for addition of welded threaded Probe Bung for threaded type EGT system required on install of certain types of Avionics

Part numbers with "A" prefix are manufactured by AeroSpace Welding Minneapolis, Inc. (AWI)

Part numbers with "AWL" suffix are manufactured by Acorn Welding, Ltd.

TP206A,B,C,D,E,TU206A,B,C,D,E,F,G S/N P2060191 thru P20600647 U2060487 thru U20607020 20700001 thru 20700788 T2100001 thru T2100454 21059200 thru 21065009		
Description	Idx	Part Number
Clamp	1	A1250860-29 1
Crossover	5	A1250860-121
Exhaust, Left Front	2	A1250860-157 6
		A1250860-157M 5 6
Exhaust, Right Front	N/A	A1250860-120
Riser	6	A1250860-100 3
Shroud, Inboard	N/A	A1250860-64
Shroud, Outboard	N/A	A1250860-65
Tailpipe	7	A1250860-164 4
Tailpipe, Adapter	8	A1250860-168
Turbo Bracket, Front Lower	4	A1250818-201
Turbo Bracket, Rear Lower	3	A1250818-200 2
Turbo Inlet	9	A1250860-122
		A1250860-122M
Turbo Inlet, Elbow	N/A	A1250860-122-1M

Notes:
1 Models TU206A,B,C,D,E,F only
2 Models TP206A,B,C,D,E,TU206A,B,C,D,E,F,TU206F S/N U2060220 and on, TU206G only
3 Models TP206A,B,C,D,E, TU206F,G only
4 Models TP206D S/N P206-0575 thru P206-0603,TP206E,TU206D S/N U206-1323 and on, TU206E,F only
5 With STC SA5010NM installed only
6 When installed, this P/N relieves the owner/operator of AD71-09-07 R1, Paragraph (a) repetitive 50 hours inspect and pressure test heat exchanger



Manufactured by AeroSpace Welding Minneapolis, Inc. (AWI)

Exhaust System Components

T207, T207A
S/N 20700001 thru 20700788

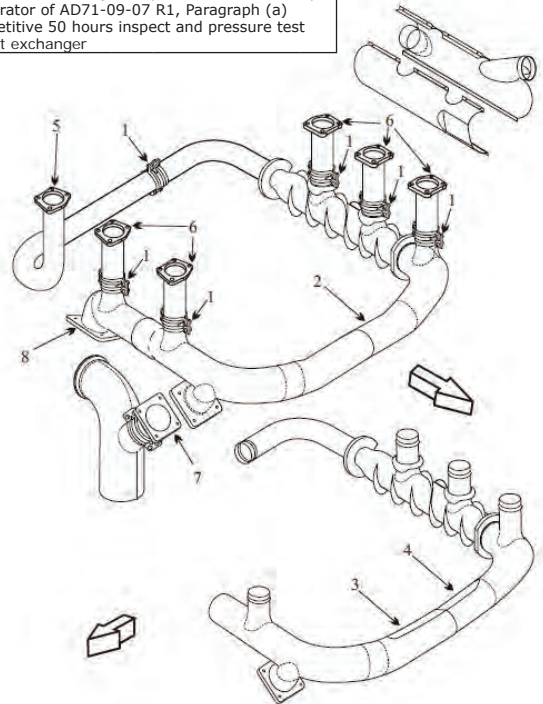
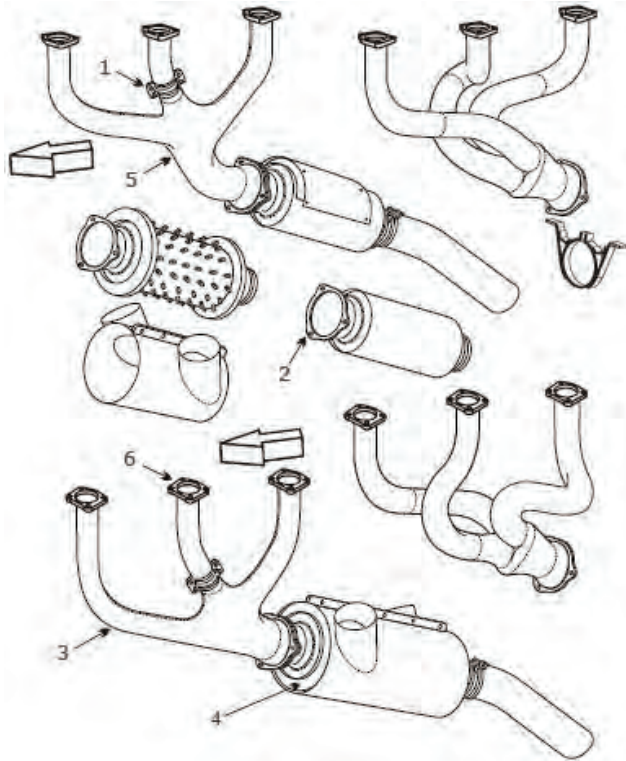
Description	Idx	Part Number
Clamp Half, w/o Pin	1	A0750161-22 1 2 6
Clamp, Riser	1	A0750161-25 4
Collector Assembly, LH	3	1250263-2AWL
Collector Assembly, RH	5	1250264-2AWL 5
Collector Assembly, LH, High Performance	3	A1250263-2HP 3
Collector Assembly, RH, High Performance	5	A1250264-2HP 3
Muffler	4	A1250250-5 1250250-5AWL
Muffler, 650-92 Alternative	2	A1250251-16 1250251-16AWL
Riser Assembly, LH	6	1254011-1AWL
Riser Assembly, RH	N/A	1250251-9AWL

Notes:
1 AD 83-14-04 requires modification of shroud and inspection of muffler and shroud rings
2 AD 85-20-01 one time compliance to inspect for holes to be drilled into muffler core
3 This part is a modification part and has a Supplemental Type Certificate (STC SA02809CH)
4 Must be a stock aircraft. No engine modifications or supplemental type certificates.
5 Always buy with riser 1250251-9AWL
6 May be purchased as part of the A0750161-KIT which includes A0750161-22 Clamp w/Pin, A0750161-24 Clamp w/o Pin, and attaching hardware

T207, T207A
S/N 20700001 thru 20700788

Description	Idx	Part Number
Clamp	1	A1250860-29
Crossover	5	A1250860-121
Heat Exchanger	N/A	A1250250-5 1
Exhaust, Left Front	2	A1250860-157 3
Exhaust, Right Front	2	A1250860-157M 2 3
Muffler, 650-92 Alternative	N/A	A1250251-16 1
Riser	6	A1250860-100
Shroud, Inboard	N/A	A1250860-64
Shroud, Outboard	N/A	A1250860-65
Tailpipe, Adapter	7	A1250860-168
Turbo Bracket, Front Lower	4	A1250818-201
Turbo Bracket, Rear Lower	3	A1250818-200
Turbo Inlet	8	A1250860-122 A1250860-122M
Turbo Inlet, Elbow	N/A	A1250860-122-1M

Notes:
1 Models T207, T207A S/N 20700363 thru 20700654 only
2 With STCSA5012 installed
3 When installed, this P/N relieves the owner/operator of AD71-09-07 R1, Paragraph (a) repetitive 50 hours inspect and pressure test heat exchanger



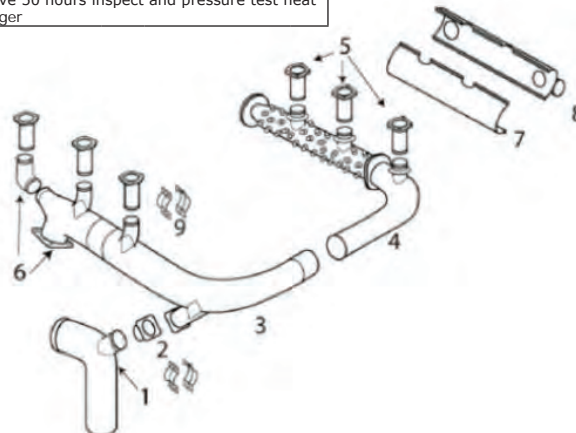
Part numbers with "A" prefix are manufactured by AeroSpace Welding Minneapolis, Inc. (AWI)
 Part numbers with "AWL" suffix are manufactured by Acorn Welding, Ltd.

Manufactured by AeroSpace Welding Minneapolis, Inc. (AWI)

T210F, G, H, J, K, L, M, N, R
S/N T2100001 thru T2100454
21059200 thru 21065009

Description	Idx	Part Number
Clamp	9	A1250860-29 1
Crossover	N/A	A1250860-121
Exhaust, Left Front	4	A1250860-157 5
Exhaust, Right Front	3	A1250860-157M 4 5
Exhaust, Right Front	3	A1250860-120
Muffler, 650-92 Alternative	N/A	A1250251-16 2
Riser	5	A1250860-100 3
Shroud, Inboard	7	A1250860-64
Shroud, Outboard	8	A1250860-65
Tailpipe	1	A1250860-164
Tailpipe, Adapter	2	A1250860-168 1
Turbo Bracket, Front Lower	N/A	A1250818-201 1
Turbo Bracket, Rear Lower	N/A	A1250818-200 1
Turbo Inlet	6	A1250860-122 A1250860-122M
Turbo Inlet, Elbow	6	A1250860-122-1M

Notes:
1 Models T210G, H, J, K, L, M, N, R only
2 Models T210K, L, M, N, R only
3 Models T210N only
4 With STCSA5012 installed
5 When installed, this P/N relieves the owner/operator of AD71-09-07 R1, Paragraph (a) repetitive 50 hours inspect and pressure test heat exchanger



For the most up-to-date eligibility and product images, visit our website, or scan this code for direct access!



.../products/category/exhaust-system/

Manufactured by AeroSpace Welding Minneapolis, Inc. (AWI)

210, 210A, B, C, D, E, F, G, H, J, K, L, M, N, R		
S/N 57001 thru 57575		
21057576 thru 21065009		
Description	Idx	Part Number
Clamp Half, w/o Pin	7	A0750161-22 ^{9 10 11 13}
Clamp, Riser	7	A0750161-25 ¹³
Clamp, Tailpipe	N/A	1250259-1AWL ⁷
Collector Assembly, LH	6	A1250263-2M ^{9 12}
		1250263-2AWL ⁴
Collector Assembly, RH	8	A1250264-2M ^{9 12}
		1250264-2AWL ^{4 14}
Collector Assembly, LH, High Performance	6	A1250263-2HP ^{6 12}
Collector Assembly, RH, High Performance	8	A1250264-2HP ^{6 12}
Muffler, LH	4	A1250250-5 ¹³
		1250250-5AWL ¹³
		1250200-3AWL ¹
Muffler, RH	1	A1250251-13 ⁵
		1250201-17AWL ¹
Muffler, 650-92 Alternative	2	A1250251-16 ²
		1250251-16AWL ³
Riser Assembly, LH	10	1254011-1AWL ⁴
Riser Assembly, RH	9	1250251-9AWL ⁴
Tailpipe, LH	5	A1250256-7 ⁸
Tailpipe, RH	3	1250256-7AWL ⁸
		A1250264-6 ⁸
		1250257-7AWL ⁸

Notes:

¹ Models 210, 210A only

² Models 210, 210A, C, D, E, F, G, H, J, K, L, M, N, R only

³ Models 210A, B, C, D, E, F, G, H, J, K, L, M, N only

⁴ Models 210A, B, C, D, E, F, G, H, J, K, L, M, N, R only

⁵ Model 210B only

⁶ Models 210B, C, D, E, F, G, H, J, K, L, M, N, R only

⁷ Models 210B S/N 21058000 and on, 210C, D, E, F, G, H, J, K S/N 21059200 thru 21059351

⁸ Models 210B S/N 21058000 and on, 210C, D, E, F, G, H, J, K, L, M, N, R only

⁹ Models 210K, L, M, N, R only

¹⁰ AD 83-14-04 requires modification of shroud and inspection of muffler and shroud rings

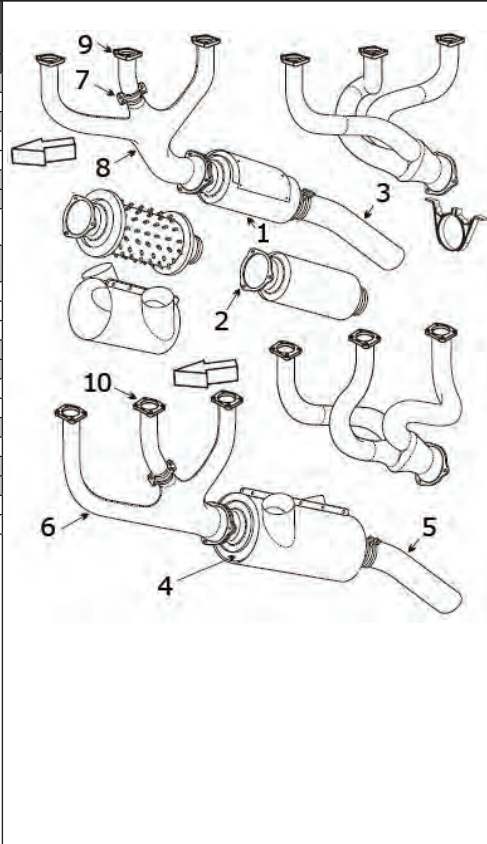
¹¹ AD 85-20-01 one time compliance to inspect for holes to be drilled into muffler core

¹² This part is a modification part and has a Supplemental Type Certificate (STC SA02809CH)

¹³ Must be a stock aircraft. No engine modifications or supplemental type certificates.

¹⁴ Always buy with riser 1250251-9AWL

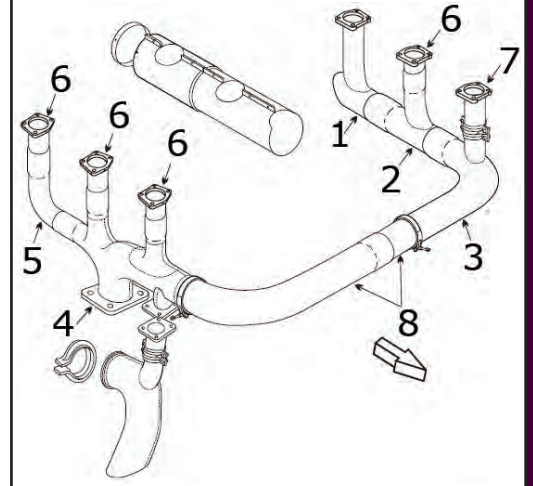
¹⁵ May be purchased as part of the A0750161-KIT which includes A0750161-22 Clamp w/Pin, A0750161-24 Clamp w/o Pin, and attaching hardware



Part numbers with "A" prefix are manufactured by AeroSpace Welding Minneapolis, Inc. (AWI)

Part numbers with "AWL" suffix are manufactured by Acorn Welding, Ltd.

P210N		
S/N P21000001 thru P210000834		
Description	Idx	Part Number
Collector Assembly	4	2154000-55AWL
Crossover Assembly	8	2154000-68AWL
Elbow	5	2154000-64AWL
Riser, Inconel	7	A1250860-117
		1250860-117AWL
	6	2154002-3AWL
Riser, Left Center	2	2154000-47AWL
Riser, Left Front	3	2154000-43AWL
Riser, Left Rear	1	2154000-50AWL
Riser, Stainless Steel	7	A1250860-100

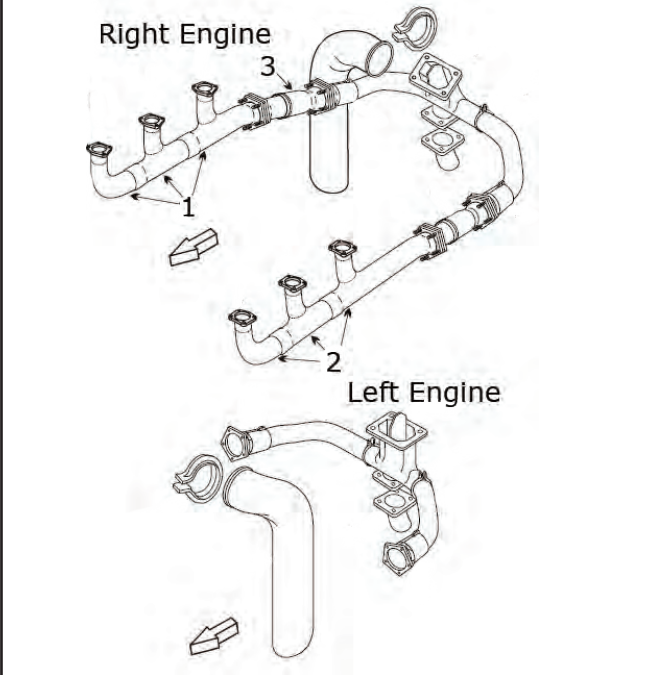


Part numbers with "A" prefix are manufactured by AeroSpace Welding Minneapolis, Inc. (AWI)

Part numbers with "AWL" suffix are manufactured by Acorn Welding, Ltd.

310P, Q		
S/N 310P0001 thru 310P0240		
310Q0001 thru 310Q1160		
Description	Idx	Part Number
Slip Joint	3	A9910296-7
Stack Assembly, LH	2	A9910295-13
Stack Assembly, LH, Inconel	2	A9910295-13I
Stack Assembly, RH	1	A9910295-14
Stack Assembly, RH, Inconel	1	A9910295-14I

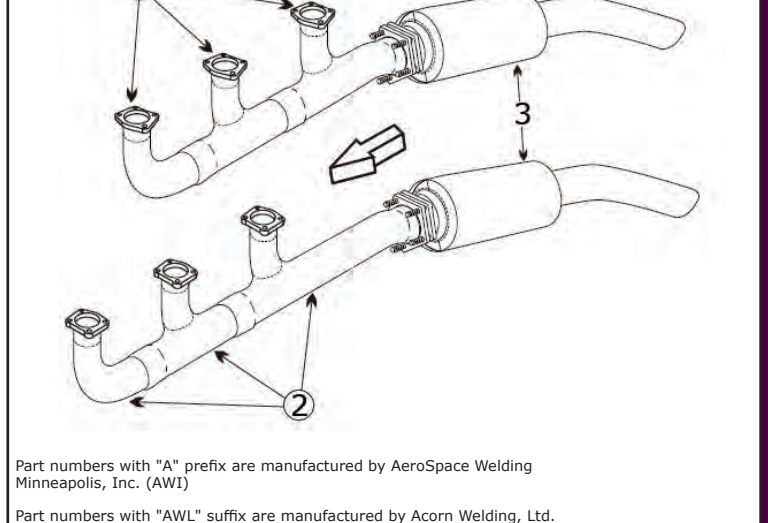
Manufactured by AeroSpace Welding Minneapolis, Inc. (AWI)



310R, T310R		
S/N 310R0001 thru 310R2140		
Description	Idx	Part Number
Muffler	3	A9910297-1 ¹
		9910297-1AWL ¹
Slip Joint	N/A	A9910296-7
Stack Assembly, LH	2	A9910295-13
Stack Assembly, LH Inconel	2	A9910295-13I
Stack Assembly, RH	1	A9910295-14
Stack Assembly, RH Inconel	1	A9910295-14I

Notes:

¹ Supersedes P/N 0852597-1



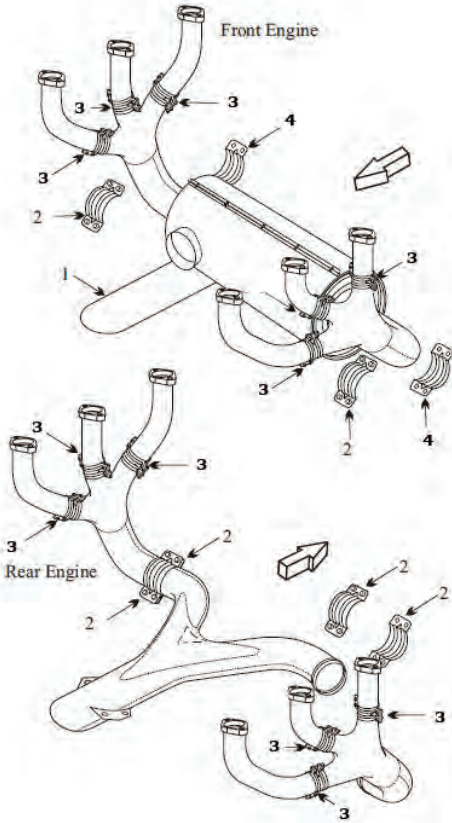
Part numbers with "A" prefix are manufactured by AeroSpace Welding Minneapolis, Inc. (AWI)

Part numbers with "AWL" suffix are manufactured by Acorn Welding, Ltd.

Exhaust System Components

336		
S/N 3360001 thru 3360195, 633, 636		
Description	Idx	Part Number
Clamp, Riser	4	A0750161-25 3
Clamp, Tailpipe, w/Pin	3	A0750161-24 1 2 4
Clamp, Tailpipe, w/o Pin	2	A0750161-22 1 2 4
Muffler	1	A1455009-3

Notes:
1 AD 83-14-04 requires modification of shroud and inspection of muffler and shroud rings
2 AD 85-20-01 one time compliance to inspect for holes to be drilled into muffler core
3 Must be a stock aircraft. No engine modifications or supplemental type certificates.
4 May be purchased as part of the A0750161-KIT which includes A0750161-22 Clamp w/Pin, A0750161-24 Clamp w/o Pin, and attaching hardware

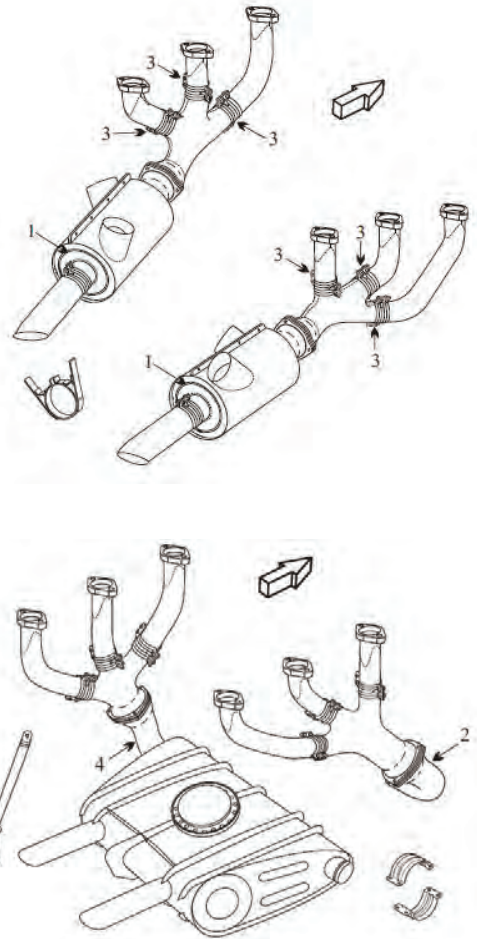


Manufactured by AeroSpace Welding Minneapolis, Inc. (AWI)

337, 337A, B, C, D, E, F, G, H, F337E, F, G, H, M337B, P337H, T337G, H		
S/N 337-0002 thru 33701950		
F3370001 thru F3379999		
337-M0001 thru 337-M0476		
P3370001 thru P3370356		
Description	Idx	Part Number

Clamp, Riser	3	A1250860-29 4
		A0750161-25 5 9
Clamp, Tailpipe	N/A	1250259-6AWL 1
Elbow, LH	4	1555011-13AWL 3
Elbow, RH	2	1555011-12AWL 3
Elbow, Lower Aft	N/A	1555048-1AWL 8
Elbow, Upper Aft	N/A	1555047-1AWL 8
Muffler	1	A1250250-5 2
		1250250-5AWL 4
Turbo Inlet	N/A	1555010-101AWL 7 10

Notes:
1 Models 337, 337A, B, C, D, E, F337E, M337B
2 Models 337, 337A, B, C, D, E, F, G, H only
3 Models 337, 337A, B, C, D, E, F, G, H S/N 33701816 thru 33701927, M337B
4 Models 337, 337A, B, C, D, E, F, G, H, M337B only
5 Models 337, 337A, B, C, D, E, F, G, H, P337H only
6 Models 337, 337A, B, C, D, E, F, G, H, F337E, F, G, H, P337H, T337H only
7 Models 337B 337-0001, 33700569 and on, 337C, D, E, F, G, H, T337G S/N P3370226 and on, P337H
8 Models 337H, T337G S/N P3370226 and on, P337H
9 Must be a stock aircraft. No engine modifications or supplemental type certificates.
10 Supersedes P/N 1555010-24

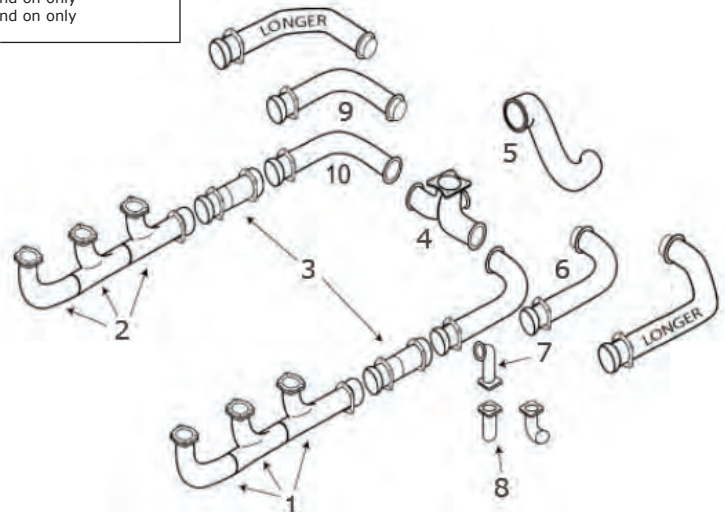


Part numbers with "A" prefix are manufactured by AeroSpace Welding Minneapolis, Inc. (AWI)

Part numbers with "AWL" suffix are manufactured by Acorn Welding, Ltd.

340, 340A		
S/N 340-0001 thru 340-0555		
340A0001 thru 340A1817		
Description	Idx	Part Number
Bypass, Elbow, Seal	7	A9910299-5 3
Bypass, Elbow, Sealess	7	A9910299-10 3
Elbow, LH, Seal	10	A9910299-3 2
		A9910299-3I 2 6
Elbow, RH, Seal	10	A9910299-4 2
		A9910299-4I 2 6
Elbow, LH, Sealess	6	A9910299-15 5
		A9910299-15I 5 6
Elbow, RH, Sealess	9	A9910299-16 5
		A9910299-16I 5 6
Header Assembly	4	9910341-1AWL 1
Slip Joint	3	A9910296-7
Stack Assembly, LH	1	A9910295-13 6
		A9910295-13I 6
Stack Assembly, RH	2	A9910295-14 6
		A9910295-14I 6
Tailpipe, LH	5	A9910299-1
Tailpipe, LH, Extended	5	A9910299-1X
Tailpipe, RH	5	A9910299-2
Tailpipe, RH, Extended	5	A9910299-2X
Wastegate Overboard	8	A9910299-6 4

Notes:
1 Model 340 only
2 Models 340, 340A S/N 340A0001 thru 340A0600 only
3 Models 340A S/N 340A0208 thru 340A0600 only
4 Models 340A S/N 340A0208 and on only
5 Models 340A S/N 340A0601 and on only
6 Inconel material

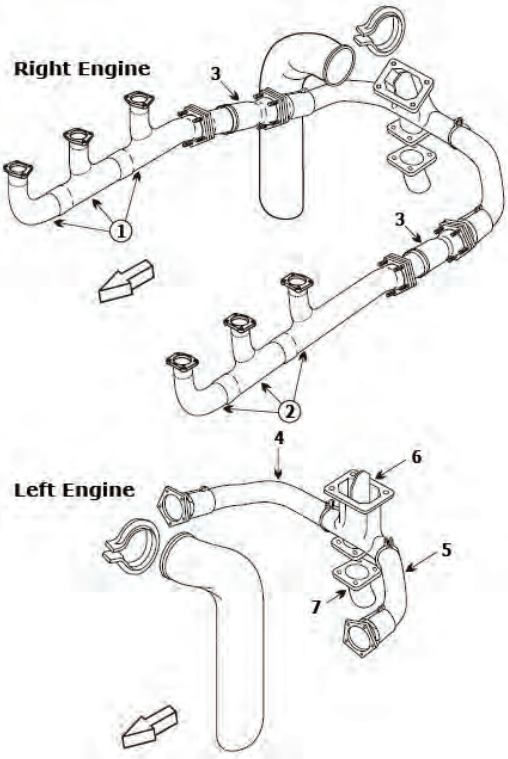


Manufactured by AeroSpace Welding Minneapolis, Inc. (AWI)

401,401A,B, 402,402A,B,C
S/N 4010001 thru 4010322
401A0001 thru 401A0132
4020001 thru 402-0322
402A0001 thru 402A0129
402B0001 thru 402B1384
402C0001 thru 402C1020

Description	Idx	Part Number
Elbow, LH	4	A9910377-1 1
Elbow, RH	5	A9910377-2 1
Exhaust Bracket	N/A	A5650118-3 1
Header Assembly	6	9910433-6AWL 1
Slip Joint	3	A9910296-7
Stack Assembly, LH	2	A9910295-13
Stack Assembly, LH, Inconel	2	A9910295-13I
Stack Assembly, RH	1	A9910295-14
Stack Assembly, RH, Inconel	1	A9910295-14I
Turbo Bracket	N/A	A5250110-3 1
Wastegate Overboard	7	A9910433-7 1

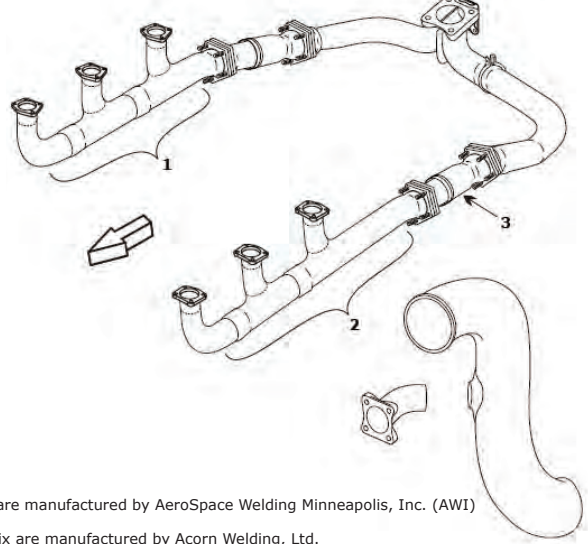
Notes:
1 Model 402C only



Part numbers with "A" prefix are manufactured by AeroSpace Welding Minneapolis, Inc. (AWI)
Part numbers with "AWL" suffix are manufactured by Acorn Welding, Ltd.

404
S/N 4040001 thru 404-0859

Description	Idx	Part Number
Slip Joint	3	A9910296-7
Stack Assembly, LH	2	A9910295-13
Stack Assembly, LH, Inconel	2	A9910295-13I
Stack Assembly, RH	1	A9910295-14
Stack Assembly, RH, Inconel	1	A9910295-14I

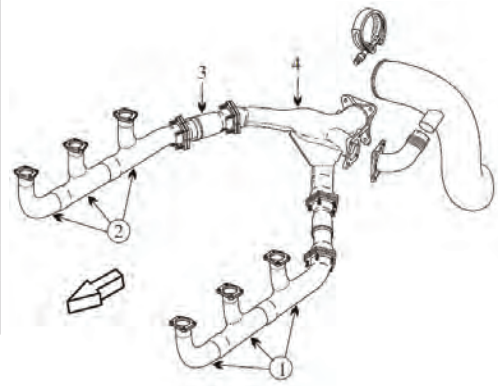


Part numbers with "A" prefix are manufactured by AeroSpace Welding Minneapolis, Inc. (AWI)
Part numbers with "AWL" suffix are manufactured by Acorn Welding, Ltd.

421A,B,C
S/N 421A0001 thru 421A0158
421B0001 thru 421B0970
421C0001 thru 421C1807

Description	Idx	Part Number
Bypass Elbow	N/A	A5155156-49 1
		A9910300-3 2
Collector Assembly	3	9910300-13AWL 2
Sleeve	N/A	A5155157-4 1
Slip Joint	4	A9910296-7 2
Stack Assembly, LH	1	A9910295-15 2
Stack Assembly, LH, Inconel	1	A9910295-15I 2
Stack Assembly, RH	2	A9910295-16 2
Stack Assembly, RH, Inconel	2	A9910295-16I 2

Notes:
1 Models 421A,B only
2 Model 421C only

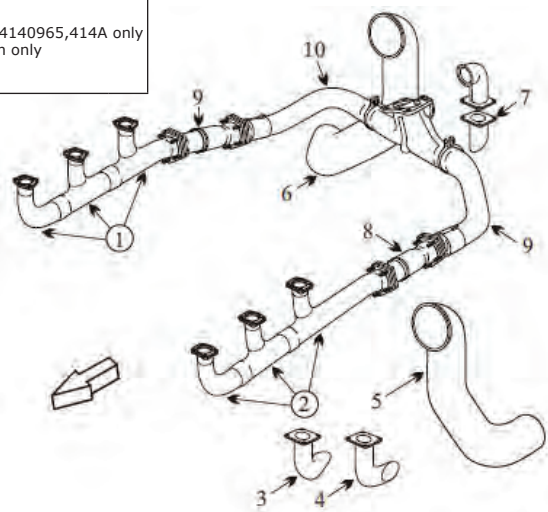


Part numbers with "A" prefix are manufactured by AeroSpace Welding Minneapolis, Inc. (AWI)
Part numbers with "AWL" suffix are manufactured by Acorn Welding, Ltd.

414,414A
S/N 414-0001 thru 414-0965
414A0001 thru 414A1212

Description	Idx	Part Number
Bracket Assembly	N/A	A5650118-3 1
Bypass, Elbow, Seal	N/A	A9910299-5 3
Bypass, Elbow, Sealless	N/A	A9910299-10 4
Elbow, LH	9	A9910377-1 4
Elbow, RH	10	A9910377-2 4
Elbow, LH, Seal	N/A	A9910299-3 1
		A9910299-3I 1 5
Elbow, RH, Seal	N/A	A9910299-4 1
		A9910299-4I 1 5
Slip Joint	8	A9910296-7 2
Stack Assembly, LH	2	A9910295-13 2
		A9910295-13I 2 5
Stack Assembly, RH	1	A9910295-14 2
		A9910295-14I 2 5
Tailpipe, LH	5	A9910299-1
Tailpipe, LH, Extended	5	A9910299-1X
Tailpipe, RH	6	A9910299-2
Tailpipe, RH, Extended	6	A9910299-2X
Wastegate Overboard	7	A9910299-6 1
Wastegate Overboard, LH Pipe	4	A9910299-13 1
Wastegate Overboard, RH Pipe	3	A9910299-14 1

Notes:
1 Model 414 only
2 Models 414 S/N 414-0251 thru 4140965,414A only
3 Model 414 S/N 414-0903 and on only
4 Model 414A only
5 Inconel material



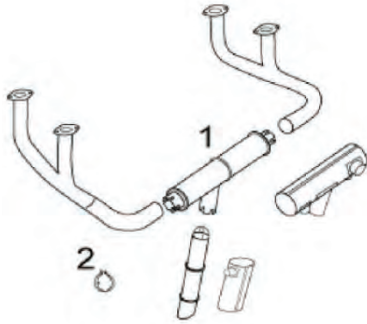
Manufactured by AeroSpace Welding Minneapolis, Inc. (AWI)

FAA-PMA Approved

Exhaust System Components

J3C-65,-65S,J3F-65,J3L-65,-65S
S/N 2325 thru 9999999

Description	Idx	Part Number
Clamp, w/Pin	2	A14235-00
Muffler	1	A71053-02

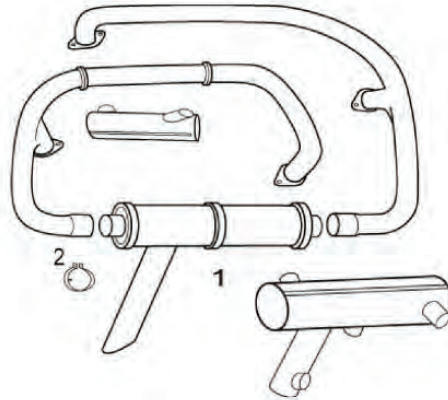


Manufactured by AeroSpace Welding
Minneapolis, Inc. (AWI)

PA-18,PA18-105,-135,-150,PA-18A,
PA-18A135,-125,-135,-150,PA-18S,
PA-18S105,-125,-135,-150
S/N 12-1 thru 18-7632
1809001 thru 1809113
18-3771 thru 18-8309025

Description	Idx	Part Number
Clamp, w/ Pin	2	A14235-00 1
Muffler	1	12433-14AWL A12433-14

Notes:
1 S/N 18-3014 and on

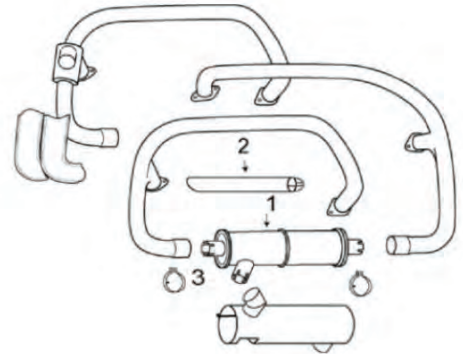


Part numbers with "A" prefix are manufactured by
AeroSpace Welding Minneapolis, Inc. (AWI)
Part numbers with "AWL" suffix are manufactured by
Acorn Welding, Ltd.

PA-22,PA-22-108,-135,-150,-160,
PA-22S-135,-150,-160
S/N 22-1 thru 22-99999

Description	Idx	Part Number
Clamp, w/Pin	2	A14235-00 1
Muffler	1	10308-03AWL A10308-003
Tailpipe	3	A11417-04

Notes:
1 S/N 22-1949 and on

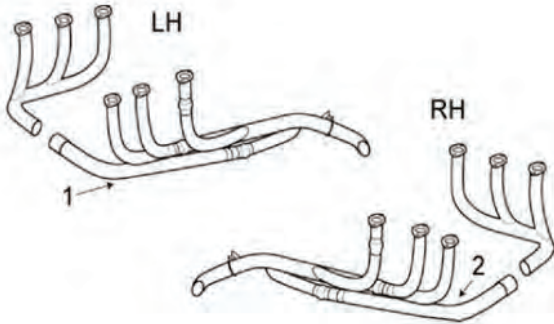


Part numbers with "A" prefix are manufactured by
AeroSpace Welding Minneapolis, Inc. (AWI)
Part numbers with "AWL" suffix are manufactured by
Acorn Welding, Ltd.

PA-23-250
S/N 27-2505 thru 27-7554168

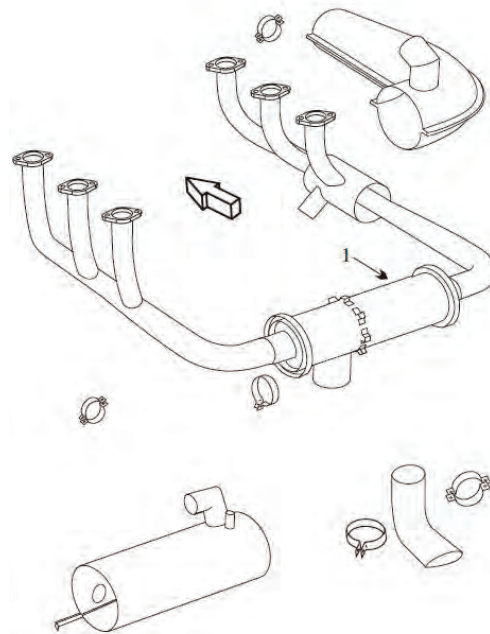
Description	Idx	Part Number
Crossover Tube, LH	1	A33419-05
Crossover Tube, RH	2	A33420-05

Manufactured by AeroSpace
Welding Minneapolis, Inc. (AWI)



PA-24-250
S/N 24-1 thru 24-3687
24-3642 thru 24-5034

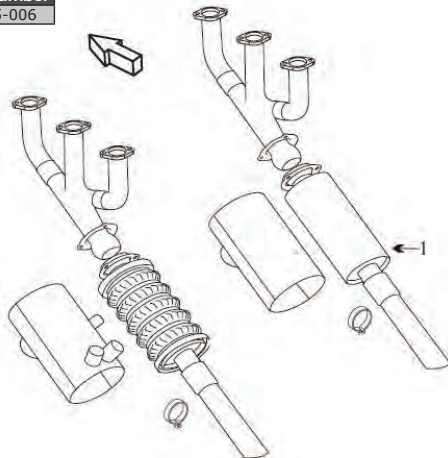
Description	Idx	Part Number
Muffler	1	A14235-00



Part numbers with "A" prefix are manufactured by AeroSpace Welding Minneapolis, Inc. (AWI)
Part numbers with "AWL" suffix are manufactured by Acorn Welding, Ltd.

PA-24-260
S/N 24-3642 thru 24-5034

Description	Idx	Part Number
Muffler	1	A26345-006



Manufactured by AeroSpace Welding Minneapolis, Inc. (AWI)

PA-28-140 S/N 28-20001 thru 28-7725290		
Description	Idx	Part Number
Clamp, w/Pin	N/A	35655-02AWL
Clamp, Tailpipe	N/A	A14235-00 3
Link Assembly	N/A	35656-02AWL A35656-029
Muffler	N/A	99482-00AWL 5 A99482-00 5
Shroud	N/A	A62208-02 2 A66704-02 4 A63723-002 3
Stack, LH Aft	N/A	99044-03AWL 3 A99044-03 3
Stack, RH Aft	N/A	99044-04AWL 3 A99044-04 3
Stack, LH Fwd	N/A	63726-02AWL 1 A63726-02 3
Stack, RH Fwd	N/A	63726-04AWL 1 A63726-04 3
Tailpipe	N/A	A63666-002 3

Notes:
1 S/N 28-20001 thru 28-7125471 only
2 S/N 28-20002 thru 28-24999 only
3 S/N 28-20002 and on only
4 S/N 28-25000 and on only
5 AD 70-16-05 50 hour or 100 hour inspection on muffler not applicable when muffler 99482-02 is installed

PA-28-150 S/N 28-1 thru 28-4377		
Description	Idx	Part Number
Clamp, w/Pin	N/A	35655-02AWL
Clamp, Tailpipe	N/A	A14235-00
Link Assembly	N/A	35656-02AWL A35656-02
Muffler	N/A	99482-00AWL 2 5 A99482-00 2 5
Shroud	N/A	A63652-02 1 A66704-02 3
Shroud, LH	N/A	A62981-006 4
Shroud, RH	N/A	A62981-007 4 99044-03AWL 2
Stack, LH Aft	N/A	A99044-03 2 62892-03AWL 4 99044-04AWL 2
Stack, RH Aft	N/A	A99044-04 2 A99044-04 2
Stack, LH Fwd	N/A	99044-02AWL 2 A63726-02 2
Stack, RH Fwd	N/A	63726-04AWL 2 A63726-04 2
Tailpipe	N/A	A63666-002

Notes:
1 S/N 28-1 thru 28-1520 only
2 S/N 28-1 thru 28-1760 only
3 S/N 28-1521 thru 28-1760 only
4 S/N 28-1761 and on only
5 AD 70-16-05 50 hour or 100 hour inspection on muffler not applicable when muffler 99482-02 is installed

PA28-160 S/N 28-1 thru 28-4377		
Description	Idx	Part Number
Clamp, w/Pin	N/A	35655-02AWL
Clamp, Tailpipe	N/A	A14235-00
Link Assembly	N/A	35656-02AWL A35656-02
Muffler	N/A	99482-00AWL 2 5 A99482-00 2 5
Shroud	N/A	A63652-02 1 A62208-02 3
Shroud, LH	N/A	A62981-006 4
Shroud, RH	N/A	A62981-007 4 99044-03AWL 2
Stack, LH Aft	N/A	A99044-03 2 A62208-02 3 99044-04AWL 2
Stack, RH Aft	N/A	A99044-04 2 A99044-04 2
Stack, LH Fwd	N/A	99044-02AWL 2 A63726-02 2
Stack, RH Fwd	N/A	63726-04AWL 2 A63726-04 2
Tailpipe	N/A	A63666-002

Notes:
1 S/N 28-1 thru 28-1520 only
2 S/N 28-1 thru 28-1760 only
3 S/N 28-1521 thru 28-1760 only
4 S/N 28-1761 and on only
5 AD 70-16-05 50 hour or 100 hour inspection on muffler not applicable when muffler 99482-02 is installed

PA-28-180 S/N 28-671 thru 28-7505260		
Description	Idx	Part Number
Clamp, w/Pin	N/A	35655-02AWL
Clamp, Tailpipe	N/A	A14235-00
Link Assembly	N/A	35656-02AWL A35656-02
Muffler	N/A	66894-03AWL A99482-02 1 5
Shroud	N/A	A63652-02 2 A62208-02 3
Shroud, LH	N/A	A62981-006 4
Shroud, RH	N/A	A62981-007 4 99044-03AWL 1
Stack, LH Aft	N/A	A99044-03 1 A62231-00 4 99044-04AWL 1
Stack, RH Aft	N/A	A99044-04 1 A99044-04 1
Stack, LH Fwd	N/A	63726-02AWL 1 A63726-02 1
Stack, RH Fwd	N/A	63726-04AWL 1 A63726-04 1
Tailpipe	N/A	A63666-002 1

Notes:
1 S/N 28-671 thru 28-1760 only
2 S/N 28-761 thru 28-1520 only
3 S/N 28-1521 thru 28-1760 only
4 S/N 28-1761 and on only
5 AD 70-16-05 50 hour or 100 hour inspection on muffler not applicable when muffler 99482-02 is installed

Exhaust System Components

PA-28-181 S/N 2843001 thru 2843999 28-7690001 thru 28-8690062 2890001 thru 2890231		
Description	Idx	Part Number
Clamp, w/Pin	N/A	35655-02AWL A63243-002 3
Link Assembly	N/A	35656-02AWL A35656-02
Muffler	N/A	A66894-03 5
Muffler, Fwd	N/A	A85477-02 6
Muffler, Rear	N/A	A85477-05 6
Stack, LH Aft	N/A	62231-00AWL A62231-005 62232-00AWL
Stack, RH Aft	N/A	A62232-004 62232-03AWL 4
Stack, LH Fwd	N/A	35300-00AWL A35300-00 2
Stack, RH Fwd	N/A	62230-00AWL A62230-00 1
Strap	N/A	A24793-004 6
Tailpipe	N/A	A85477-011 6
Tailpipe Hanger Clamp	N/A	A24791-006 6

Notes:
1 S/N 2843001 thru 2843999, 28-7690001 thru 28-8690056, 2890001 and on only
2 S/N 2843001 thru 2843999, 28-7690001 thru 28-8690062, 2890206 and on only
3 S/N 28-7690001 thru 28-8690062 only
4 28-7690001 thru 28-8690062 and 2890001 thru 2890205
5 S/N 28779001 and on only
6 For the PA-28-181, 2 muffler, 1 tailpipe exhaust system

PA-28-201T, PA-28R-201T, PA-28RT-201T S/N 28-7921001 thru 28-7921095 2803001 thru 2803012 28R-7703001 thru 28R-7803373 2831001 thru 2831038 28R-7931001 thru 28R-8631005		
Description	Idx	Part Number
Elbow, Crossover	N/A	654303AWL
Elbow, Cylinder #5	N/A	654261AWL
Elbow, Cylinder #6	N/A	654260AWL
Inlet, WYE Assembly	N/A	654304AWL
Stack, LH Aft	N/A	67811-00AWL 1 A67811-00 1
Stack, RH Aft	N/A	67812-00AWL 1 A67812-00 1
Stack, LH Fwd	N/A	67810-00AWL 1 A67810-00 1
Stack, RH Fwd	N/A	67809-00AWL 1 A67809-00 1
Tee, Cylinder #1	N/A	654265AWL
Tee, Cylinder #2	N/A	654264AWL
Tee, Cylinder #3	N/A	654263AWL
Tee, Cylinder #4	N/A	654262AWL
Tie Rod End	N/A	654305AWL 654306AWL
Valve, Bypass	N/A	654302AWL

Notes:
1 Model 28R-201T only

Part numbers with "A" prefix are manufactured by AeroSpace Welding Minneapolis, Inc. (AWI)

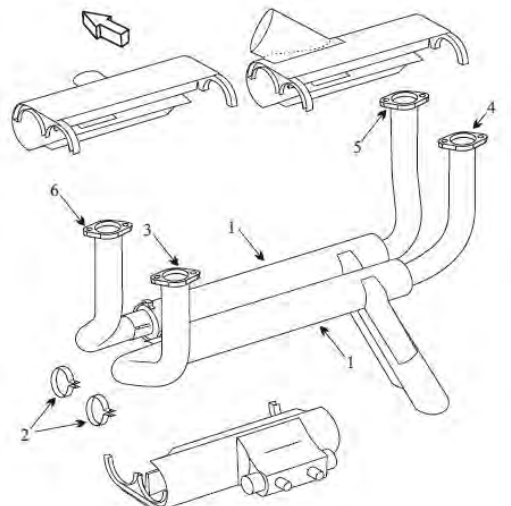
Part numbers with "AWL" suffix are manufactured by Acorn Welding, Ltd.

For the most up-to-date eligibility and product images, visit our website, or scan this code for direct access!



.../products/category/exhaust-system/

PA-28R-180 S/N 28R-30002 thru 28R-7130013		
Description	Idx	Part Number
Clamp, w/Pin	2	35655-02AWL A63243-002
Link Assembly	N/A	35656-02AWL A35656-02
Muffler	1	67517-00AWL A67517-00
Stack, LH Aft	3	67618-00AWL
Stack, RH Aft	4	67620-00AWL
Stack, LH Fwd	6	67617-00AWL
Stack, RH Fwd	5	67619-00AWL



Part numbers with "A" prefix are manufactured by AeroSpace Welding Minneapolis, Inc. (AWI)

Part numbers with "AWL" suffix are manufactured by Acorn Welding, Ltd.

FAA-PMA Approved

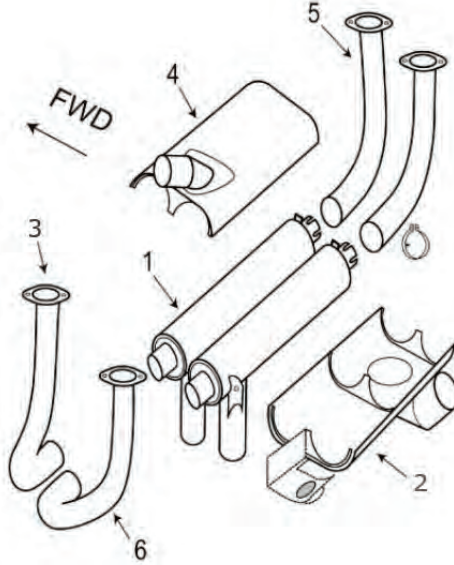
Exhaust System Components

PA-28-151, PA-28-161
S/N 28-7415001 thru 28-7715314
2816001 thru 2816119
2841001 thru 2841365
2842001 thru 2842999
287716001 thru 28-8616057

Description	Idx	Part Number
Clamp, w/Pin	N/A	35655-02AWL
		A63243-002 3
Link Assembly	N/A	35656-02AWL
		A35656-02
Muffler	1	66894-03AWL
		A66894-03
Stack, LH Aft	4	35301-00AWL
		A35301-00 1
Stack, RH Aft	2	62232-00AWL
		A62232-004 1
Stack, LH Fwd	3	35300-00AWL
		A35300-00 2
Stack, RH Fwd	5	62230-00AWL
		A62230-00 1
Stack, RH Fwd	6	37922-02AWL

Notes:
1 Models PA-28-151, PA-28-161 S/N 2841001 thru 2841365 & 287716002 and on only
2 Models PA-28-151, PA-28-161 S/N 287716001 thru 287716323 only
3 Models PA-28-151, PA-28-161 S/N 287716001 thru 288616057 only

Part numbers with "A" prefix are manufactured by AeroSpace Welding Minneapolis, Inc. (AWI)
 Part numbers with "AWL" suffix are manufactured by Acorn Welding, Ltd.

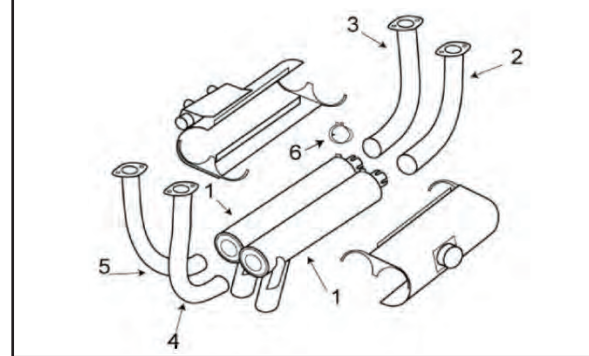


PA-28R-200, PA-28R-201
S/N 28R-35001 thru 28R-7635545
2837001 thru 2837061
2844001 thru 2844999
28R-7737002 thru 28R-7837317

Description	Idx	Part Number
Clamp, w/Pin	N/A	35655-02AWL
		A63243-002 2
Link Assembly	N/A	35656-02AWL
		A35656-02
Muffler	1	67517-00AWL 1
		A67517-00
Stack, LH Aft	4	67811-00AWL
		A67811-00
Stack, RH Aft	2	67812-00AWL
		A67812-00
Stack, LH Fwd	5	67810-00AWL
		A67810-00
Stack, RH Fwd	3	67809-00AWL
		A67809-00

Notes:
1 Model 28R-200 only
2 Models PA-28R-200, PA-28R-201 S/N 2837001 thru 2837061, 2844001 thru 2844999

Part numbers with "A" prefix are manufactured by AeroSpace Welding Minneapolis, Inc. (AWI)
 Part numbers with "AWL" suffix are manufactured by Acorn Welding, Ltd.



PA-30, PA-39
S/N 30-1 thru 30-2000
39-1 thru 39-162

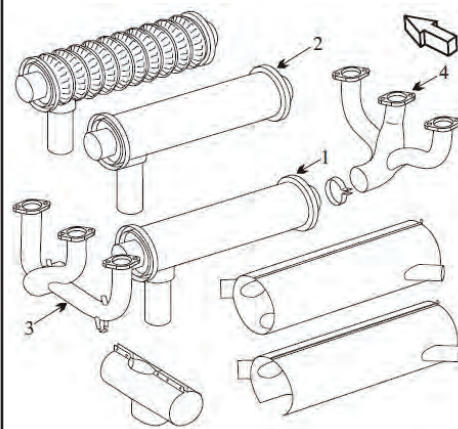
Description	Idx	Part Number
Stack, Cylinder #1	N/A	23850-008AWL
Stack, Cylinder #2	N/A	23850-010AWL
Stack, Cylinder #3	N/A	23850-011AWL
Stack, Cylinder #4	N/A	23850-014AWL

Manufactured by Acorn Welding, Ltd.

PA-28-235
S/N 28-10001 thru 28-771089

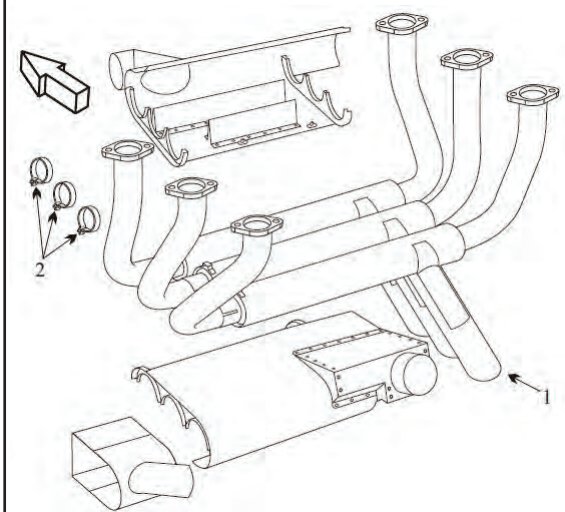
Description	Idx	Part Number
Muffler, Round Cuff	2	A65813-00 3
Muffler, Square Cuff	1	A65012-00 2
Stack, LH	3	A65038-00 1
Stack, RH	4	A65039-00 1

Notes:
1 S/N 28-10001 thru 28-11378, 28-7110001 thru 28-7210023 only
2 S/N 28-10003 thru 28-10062 only
3 S/N 28-10986 thru 28-7210033 only



PA-28-236
S/N 2811001 thru 2811050
2845001 thru 2845999
28-7911001 thru 28-8611008

Description	Idx	Part Number
Clamp, w/Pin	2	A63243-002
Link Assembly	N/A	35656-02AWL
		A35656-02
Muffler	1	67517-00AWL
		A67517-00



Part numbers with "A" prefix are manufactured by AeroSpace Welding Minneapolis, Inc. (AWI)
 Part numbers with "AWL" suffix are manufactured by Acorn Welding, Ltd.

For the most up-to-date eligibility and product images, visit our website, or scan this code for direct access!



.../products/category/exhaust-system/

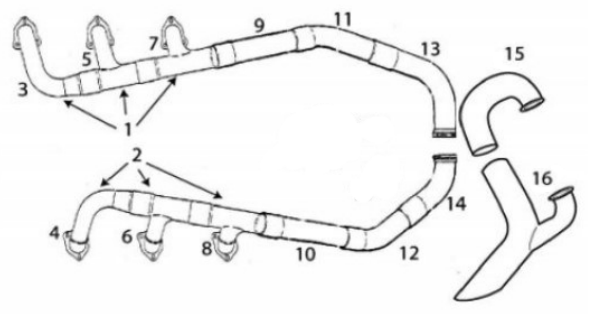
Manufactured by AeroSpace Welding Minneapolis, Inc. (AWI)

PA-31-310, PA-31-325 S/N 31-2 thru 31-8312019 31-7400990 thru 31-8312019		
Description	Idx	Part Number
Elbow, Intermediate, LH Aft	14	LW16790AWL 2 3
Elbow, Intermediate, RH Aft	13	LW16793AWL 2 3
Elbow, Intermediate, LH Center	12	LW16789AWL 2 3
Elbow, Intermediate, RH Center	11	LW16792AWL 2 3
Riser, LH Aft	8	A10162
Riser, RH Aft	7	A10161
Riser, LH Center	6	A10163
Riser, RH Center	5	A10160
Riser, LH Fwd	4	A10164
Riser, RH Fwd	3	A10159
Stack Assembly, LH	2	A16826
Stack Assembly, RH	1	A16825
Tailpipe, Lower	16	40310-09AWL 1 A40310-9
Tailpipe, Upper	15	40310-08AWL 1
Tube, Intermediate, LH Fwd	10	LW15849AWL 2 3 A15849
Tube, Intermediate RH Fwd	9	LW15850AWL 2 3

Notes:
 1 Model PA-31-310 only
 2 This exhaust should be changed with the Front, Middle intermediate tube and the Aft Intermediate tube to prevent accidental disengagement of the slip joints
 3 The slip joints must be lubricated and allow to move during operation to prevent cracking of the flanges

Piper PA-31-350 31-5001 thru 31-8553002		
Description	Idx	Part Number
Elbow, Intermediate, LH Aft	14	A16697 1 2 LW16697AWL 1 2
Elbow, Intermediate, RH Aft	13	A16620 1 2 LW16620AWL 1 2
Elbow, Intermediate, LH Center	12	A16696 1 2 LW16696AWL 1 2
Elbow, Intermediate, RH Center	11	A16621 1 2 LW16621AWL 1 2
Riser, LH Aft	8	LW10162AWL A10162
Riser, RH Aft	7	LW10161AWL A10161
Riser, LH Center	6	LW10163AWL A10163
Riser, RH Center	5	LW10160AWL A10160
Riser, LH Fwd	4	LW10164AWL A10164
Riser, RH Fwd	3	LW10159AWL A10159
Stack Assembly, LH	2	A16826
Stack Assembly, RH	1	A16825
Tailpipe, Lower	16	40310-09AWL A40310-9
Tailpipe, Upper	15	40310-10AWL A40310-10
Tube, Intermediate, LH/RH Fwd	9	A15849
	10	LW15849AWL

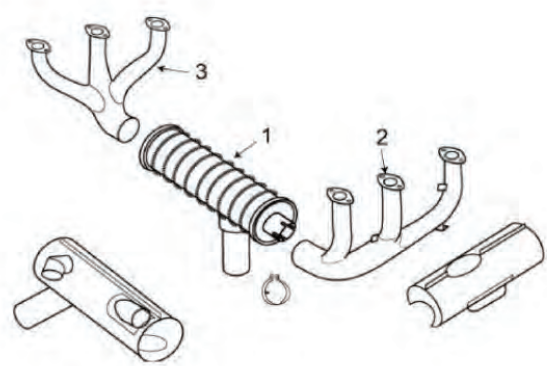
Notes:
 1 This exhaust should be changed with the Front, Middle intermediate tube and the Aft Intermediate tube to prevent accidental disengagement of the slip joints
 2 The slip joints must be lubricated and allow to move during operation to prevent cracking of the flanges



Part numbers with "A" prefix are manufactured by AeroSpace Welding Minneapolis, Inc. (AWI)
 Part numbers with "AWL" suffix are manufactured by Acorn Welding, Ltd.

PA-32-260 S/N 32-1 thru 32-700008		
Description	Idx	Part Number
Muffler	1	A68718-00 1
Stack, LH	2	A65038-00 1
Stack, RH	3	A65039-00 1

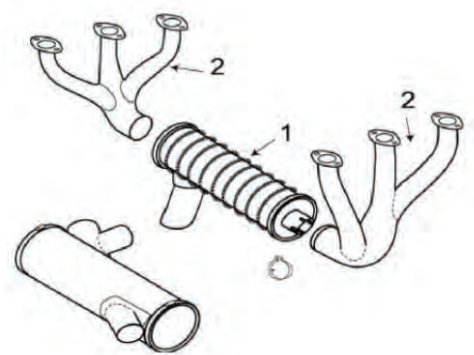
Notes:
 1 S/N 32-1 thru 32-1297 and 32-7100001 thru 32-7800008 only



Manufactured by AeroSpace Welding Minneapolis, Inc. (AWI)

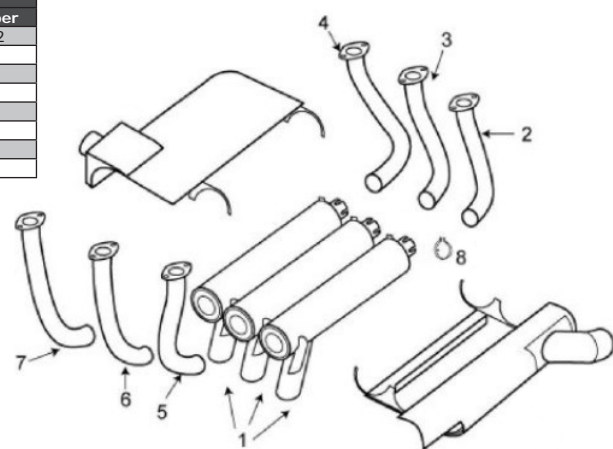
PA-32-300 S/N 32-40000 thru 32-7940290		
Description	Idx	Part Number
Muffler	1	A68796-00 1
Stack Assembly, LH and RH	2	A68793-00

Notes:
 1 S/N 32-40000 thru 32-7540198 only



Manufactured by AeroSpace Welding Minneapolis, Inc. (AWI)

PA-32R-300, PA-32RT-300, PA-32-301 S/N 32R-7680001 thru 32R7880068 32R-7885002 thru 32R-7985106 3213001 thru 3213103 3246001 thru 3246999 32R8013001 thru 32R-8613006		
Description	Idx	Part Number
Clamp, w/Pin	8	A63243-002
Muffler	1	A67517-00
Stack, LH Front	2	A38137-04
Stack, RH Front	5	A38137-05
Stack, LH Center	3	A38137-03
Stack, RH Center	6	A38137-06
Stack, LH Rear	4	A38137-02
Stack, RH Rear	7	A38137-07



Manufactured by AeroSpace Welding Minneapolis, Inc. (AWI)

PA-32-301T, PA-32R-301T, PA-32RT-301T S/N 32-8024001 thru 32-8424002 3229001 thru 3229003 32R-8029001 thru 32R-8629008 32R-7887002 thru 32R-7987126		
Description	Idx	Part Number
Adapter, Exhaust Pipe, Cylinder #1/2/5/6	N/A	40B19840AWL 1
Crossover, LH Aft	N/A	LW16103AWL
Crossover, RH Aft	N/A	LW16102AWL
Elbow, Bypass	N/A	764-501AWL 2
Elbow, Transition Inlet	N/A	LW15806AWL
Riser, Cylinder #5	N/A	LW15805AWL
Riser, Cylinder #6	N/A	40B21375AWL
Tailpipe	N/A	98705-002AWL
Transition/Valve	N/A	LW16858AWL

Notes:
 1 Model PA-32R-301T S/N 3257001 and on only
 2 This elbow should be purchased when replacing the 98705-000 or 98705-002 Tailpipe

Part numbers with "A" prefix are manufactured by AeroSpace Welding Minneapolis, Inc. (AWI)
 Part numbers with "AWL" suffix are manufactured by Acorn Welding, Ltd.

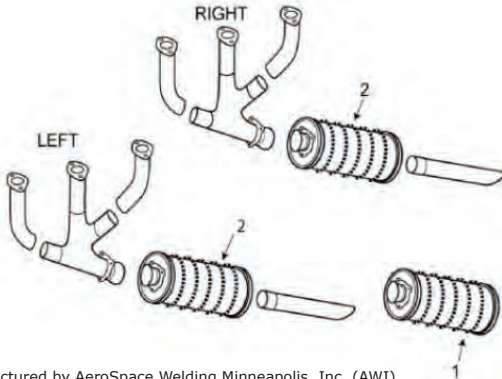
FAA-PMA Approved

Exhaust System Components

PA-32-301
S/N 3213001 thru 3213103
3246001 thru 3246999
32R-8013001 thru 32R8613006

Description	Idx	Part Number
Muffler, 9"	1	A26345-008
Muffler, 9.5"	2	A26345-005 1

Notes:
1 Carbureted aircraft use (2) A26345-005 mufflers



Manufactured by AeroSpace Welding Minneapolis, Inc. (AWI)

PA-34-200T, PA-34-220T
S/N 34-8133001 thru 34-8633031
3433001 thru 3433172
3447001 thru 3447029
3448001 thru 3448079
3449001 thru 3449999

Description	Idx	Part Number
Elbow, LH Intermediate	N/A	654238AWL 1
Elbow, RH Intermediate	N/A	656297AWL 1
Elbow, Cylinder #5	N/A	654261AWL
Elbow, Cylinder #6	N/A	654260AWL
Inlet, WYE Assembly	N/A	654237AWL 1
Tailpipe	N/A	654270AWL 1
Tee, Cylinder #1	N/A	654265AWL
Tee, Cylinder #2	N/A	654264AWL
Tee, Cylinder #3	N/A	654263AWL
Tee, Cylinder #4	N/A	654262AWL
Tie Rod End	N/A	654305AWL
Tie Rod End	N/A	654306AWL
Valve, Bypass	N/A	654274AWL 1

Notes:
1 Exclude S/N 3449001 thru 3449999

Manufactured by Acorn Welding, Ltd.

PA-46-350P, PA-46R-350T
S/N 4622001 thru 4622200
4636001 thru 4636999
4692001 thru 4692999

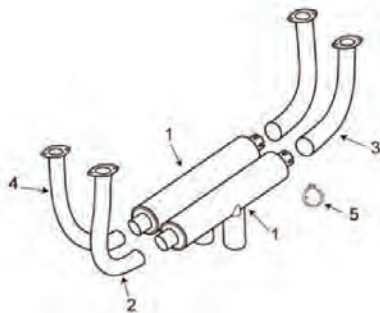
Description	Idx	Part Number
Adapter, Wastegate	N/A	40B19851AWL
Elbow, LH Fwd, Cylinder #2	N/A	40B19841AWL
Elbow, RH Fwd, Cylinder #1	N/A	40B19844AWL
Inlet, Bypass/Wastegate	N/A	47C21952AWL 1
Stack, LH Center, Cylinder #4	N/A	40B19842AWL
Stack, RH Center, Cylinder #3	N/A	40B19827AWL
Tube, Center	N/A	40B19974AWL
Tube, LH	N/A	40B19850AWL
Tube, RH	N/A	40B19975AWL

Notes:
1 Exclude S/N 3449001 thru 3449999

PA-44-180
S/N 44-7995001 thru 44-8195026
4495001 thru 4495013
4496001 thru 4496999

Description	Idx	Part Number
Clamp, w/Pin	5	A63243-002
Muffler	1	86299-007AWL A86299-008
Stack, LH Aft	N/A	A89366-011 2
Stack, RH Aft	4	A89366-005 1
Stack, LH Fwd	3	A89366-003 1
Stack, RH Fwd	2	A86202-004 3

Notes:
1 S/N 4495001 and on only
2 S/N 4496001 and on only
3 S/N 7995001 and on only



Part numbers with "A" prefix are manufactured by AeroSpace Welding Minneapolis, Inc. (AWI)

Part numbers with "AWL" suffix are manufactured by Acorn Welding, Ltd.

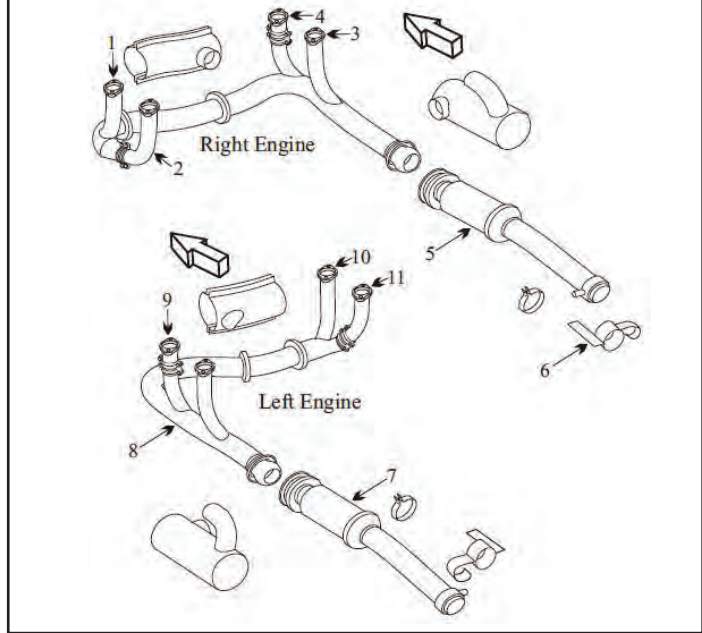
PA-34-200
S/N 34-7250001 thru 34-7450220

Description	Idx	Part Number
Clamp	N/A	A0750161-25 1 2
Collector, LH Inboard	10	78463-004AWL
Collector, RH Inboard	1	78463-013AWL
Collector, LH Outboard	8	78463-006AWL
Collector, RH Outboard	3	78463-015AWL
Riser, LH Inboard	11	78463-002AWL
Riser, RH Inboard	2	78463-012AWL
Riser, LH Outboard	9	78463-007AWL
Riser, RH Outboard	4	78463-016AWL
Tailpipe, LH	7	78463-010AWL
Tailpipe, RH	5	78463-018AWL
Tailpipe, Support Assembly	6	78463-11AWL

Notes:
1 S/N 34-725001 thru 34-7350343 only
2 Must be a stock aircraft. No engine modifications or STCs
3 Tailpipe is supplied Pre-Modified IAW FAA AD 83-14-05

Part numbers with "A" prefix are manufactured by AeroSpace Welding Minneapolis, Inc. (AWI)

Part numbers with "AWL" suffix are manufactured by Acorn Welding, Ltd.

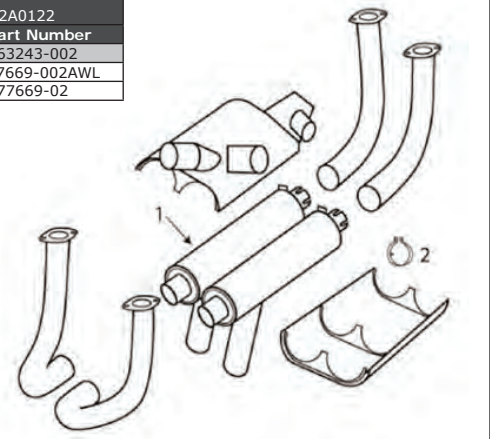


PA-38-112
S/N 38-78A0001 thru 38-82A0122

Description	Idx	Part Number
Clamp, w/Pin	2	A63243-002
Muffler	1	77669-002AWL A77669-02

Part numbers with "A" prefix are manufactured by AeroSpace Welding Minneapolis, Inc. (AWI)

Part numbers with "AWL" suffix are manufactured by Acorn Welding, Ltd.



For the most up-to-date eligibility and product images, visit our website, or scan this code for direct access!



.../products/category/exhaust-system/

A200, A200C, A200CT		
S/N BC-1 thru BC-9999		
BD-1 thru BD-9999		
BJ-1 thru BJ-9999		
BP-1 thru BP-63		
GR-1 thru GR-19		
FC-1 thru FC-9999		
FE-1 thru FE-36		
Description	Idx	Part Number
Elbow, Stack Hose	N/A	101-910204-11AWL 1
Hose, Exhaust Stack	N/A	101-9048-21AWL 1
Stack, LH	2	101-950018-21AWL 2 6 7 10
		101-950019-47AWL 4 6 7
		101-950023-1AWL 4 6 7
		130-950001-39AWL 1
Stack, RH	1	101-950018-23AWL 3 6 8 10
		101-950019-49AWL 5 6 8
		101-950023-3AWL 5 6 8
		130-950001-41AWL 1

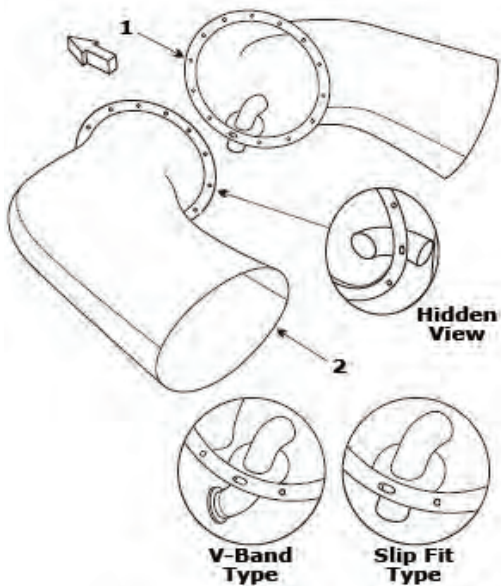
- Notes:**
- 1** With or without STC SA10737SC or SA10824SC
 - 2** This exhaust may also replace the following exhaust stacks when combined with a Flow Thru Style Heated Lip: 101-950001-59, 101-950016-23,-41,-67,-73,-81,-97, 78-00-00-10, AF78-00-00-10
 - 3** This exhaust may also replace the following exhaust stacks when combined with a Flow Thru Style Heated Lip: 101-950001-60, 101-950016-25,-43,-69,-75,-83,-99, 78-00-00-20, AF78-00-00-20
 - 4** This exhaust may also replace the following exhaust stacks when combined with a Flow Thru Style Heated Lip: 101-950001-59, 101-950016-23,-41,-67,-73,-81,-97, 101-950018-13,-21
 - 5** This exhaust may also replace the following exhaust stacks when combined with a Flow Thru Style Heated Lip: 101-950001-60, 101-950016-25,-43,-69,-75,-83,-99, 101-950018-15,-23
 - 6** Compatible Flow Thru Style Heated Lips are: Intake Lips modified by Beech Kit 101-9048 or Acorn Welding REO C-RA12-167, Intake Lips previously modified by Butterfield Industries BI-1001-1 or Raisbeck Engineering BI-1001-1 and modified by Acorn REO C-RA12-167
 - 7** Upper Cowlings will require modification when replacing the following exhaust stacks: 101-950001-59, 101-950016-23,-41,-67,-73,-81,-97
 - 8** Upper Cowlings will require modifications when replacing the following exhaust stacks: 101-950001-60, 101-950016-25,-43,-69,-75,-83,-99
 - 9** Must be used with 101-950018-23AWL
 - 10** Must be used with 101-950018-21AWL

B200, B200C, CGT, CT, GT, T		
S/N BB-734 thru BB-9999		
BW-1 thru BV-9999		
BL-37 thru BL-9999		
BP-64 thru BP-9999		
BU-1 thru BU-10		
BV-1 thru BV-10		
BZ-1 thru BZ-9999		
BN-2 thru BN-4		
BY-1 thru BY-9999		
BT-23 thru BT-9999		
Description	Idx	Part Number
Elbow, Stack Hose	N/A	101-910204-11AWL 1 2 3
Hose, Exhaust Stack	N/A	101-9048-21AWL 1 2 3
Stack, LH	2	101-950018-21AWL 5 9 10 12
		101-950019-47AWL 7 9 10
		101-950023-1AWL 7 9 10
		130-950001-39AWL 1 2 3
Stack, RH	1	101-950018-23AWL 2 4 6 9 11 12
		101-950019-49AWL 2 4 8 9 11
		101-950023-3AWL 2 4 8 9 11
		130-950001-41AWL 2 3

- Notes:**
- 1** Models B200 S/N BB-854 and on, B200C S/N BW-1 thru BV-9999, BL-37 thru BL-9999, BP-64 thru BP-9999, B200CGT, CT, GT, T
 - 2** Except BB-871, BB-873, BB-892, BB-893
 - 3** With or without STC SA10737SC or SA10824SC
 - 4** S/N BB-854 thru BB-9999 with or without STC SA10737SC or SA 10824SC
 - 5** This exhaust may also replace the following exhaust stacks when combined with a Flow Thru Style Heated Lip: 101-950001-59, 101-950016-23,-41,-67,-73,-81,-97, 78-00-00-10, AF78-00-00-10
 - 6** This exhaust may also replace the following exhaust stacks when combined with a Flow Thru Style Heated Lip: 101-950001-60, 101-950016-25,-43,-69,-75,-83,-99, 78-00-00-20, AF78-00-00-20
 - 7** This exhaust may also replace the following exhaust stacks when combined with a Flow Thru Style Heated Lip: 101-950001-59, 101-950016-23,-41,-67,-73,-81,-97, 101-950018-13,-21
 - 8** This exhaust may also replace the following exhaust stacks when combined with a Flow Thru Style Heated Lip: 101-950001-60, 101-950016-25,-43,-69,-75,-83,-99, 101-950018-15,-23
 - 9** Compatible Flow Thru Style Heated Lips are: Intake Lips modified by Beech Kit 101-9048 or Acorn Welding REO C-RA12-167, Intake Lips previously modified by Butterfield Industries BI-1001-1 or Raisbeck Engineering BI-1001-1 and modified by Acorn REO C-RA12-167
 - 10** Upper Cowlings will require modification when replacing the following exhaust stacks: 101-950001-59, 101-950016-23,-41,-67,-73,-81,-97
 - 11** Upper Cowlings will require modifications when replacing the following exhaust stacks: 101-950001-60, 101-950016-25,-43,-69,-75,-83,-99
 - 12** Must be used with 101-950018-23AWL
 - 13** Must be used with 101-950018-21AWL

200, 200C, 200CT, 200T		
S/N BB-2 thru BB-912		
BL-1 thru BL-36		
BN-1 thru BN-1		
BT-1 thru BT-22		
Description	Idx	Part Number
Elbow, Stack Hose	N/A	101-910204-11AWL 1 2 3
Hose, Exhaust Stack	N/A	101-9048-21AWL 1 2 3
Stack, LH	2	101-950018-21AWL 5 9 10 12
		101-950019-47AWL 7 9 10
		101-950023-1AWL 7 9 10
		130-950001-39AWL 1 2 3
Stack, RH	1	101-950018-23AWL 2 4 6 9 11 12
		101-950019-49AWL 2 4 8 9 11
		101-950023-3AWL 2 4 8 9 11
		130-950001-41AWL 2 3

- Notes:**
- 1** Models 200 S/N BB-2 thru BB-853, BB-871 thru BB-873, BB-892 thru BB-893, 200C, 200CT, 200T only
 - 2** Except S/N BB-734, BB-793, BB-829
 - 3** With or without STC SA10737SC or SA10824SC
 - 4** S/N BB-2 thru BB853 with or without STC SA10737SC or SA10824SC
 - 5** This exhaust may also replace the following exhaust stacks when combined with a Flow Thru Style Heated Lip: 101-950001-59, 101-950016-23,-41,-67,-73,-81,-97, 78-00-00-10, AF78-00-00-10
 - 6** This exhaust may also replace the following exhaust stacks when combined with a Flow Thru Style Heated Lip: 101-950001-60, 101-950016-25,-43,-69,-75,-83,-99, 78-00-00-20, AF78-00-00-20
 - 7** This exhaust may also replace the following exhaust stacks when combined with a Flow Thru Style Heated Lip: 101-950001-59, 101-950016-23,-41,-67,-73,-81,-97, 101-950018-13,-21
 - 8** This exhaust may also replace the following exhaust stacks when combined with a Flow Thru Style Heated Lip: 101-950001-60, 101-950016-25,-43,-69,-75,-83,-99, 101-950018-15,-23
 - 9** Compatible Flow Thru Style Heated Lips are: Intake Lips modified by Beech Kit 101-9048 or Acorn Welding REO C-RA12-167, Intake Lips previously modified by Butterfield Industries BI-1001-1 or Raisbeck Engineering BI-1001-1 and modified by Acorn REO C-RA12-167
 - 10** Upper Cowlings will require modification when replacing the following exhaust stacks: 101-950001-59, 101-950016-23,-41,-67,-73,-81,-97
 - 11** Upper Cowlings will require modifications when replacing the following exhaust stacks: 101-950001-60, 101-950016-25,-43,-69,-75,-83,-99
 - 12** Must be used with 101-950018-23AWL
 - 13** Must be used with 101-950018-21AWL



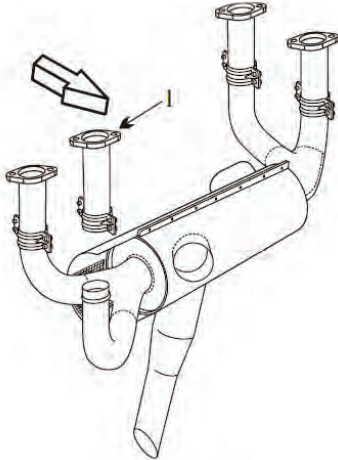
Part numbers with "A" prefix are manufactured by AeroSpace Welding Minneapolis, Inc. (AWI)
 Part numbers with "AWL" suffix are manufactured by Acorn Welding, Ltd.

Exhaust System Components

23, A23, A23A, B23, C23
S/N M-1 thru M-2392

Description	Idx	Part Number	
Clamp, Riser	N/A	A0750161-25	1 3 5
Riser	1	A099001-120	2 4

Notes:
1 Models 23 S/N M-125 and on, A23, A23A, B23, C23 S/N M-1285 thru 1979
2 Models B23 S/N M-1143, M-1155, M-1235 and on, C23 S/N M01285 thru M-1979
3 Excludes S/N M-1974
4 Excludes S/N M-1921
5 Must be a stock aircraft. No modifications or Supplemental Type Certificates.



Manufactured by AeroSpace Welding Minneapolis, Inc. (AWI)

35-33, 35-A33, -B33, -C33, -C33A, E33, E33A, C, F33, F33A, C, G33
S/N CD-1 thru CD-1304
CE-1 thru CE-9999
CJ-1 thru CJ-9999

Description	Idx	Part Number	
Clamp, w/ hardware	8	A35-950004-17	5
Muffler, LH/RH	N/A	A189	1 7
Muffler, LH	2	701-20AWL	6 11
	2	A701-20	4 11
	2	A701-4	9 12
Muffler, RH	2	701-21AWL	6
	1	A701-19	6 10
	1	A701-5	6 9
Riser, LH Center	N/A	35-950005-43AWL	5
Riser, RH Center	6	35-950005-63AWL	5 8
Stack, LH	7	35-950005-37AWL	6
		A35-950005-37M	5
Stack, LH, High Performance	7	A35-950005-37HP	5 8
Stack, RH	5	35-950005-39AWL	6
	5	A35-950005-39M	5
Stack, RH, High Performance	5	A35-950005-39HP	5 8
Tailpipe, LH, Angle Cut	N/A	A35-950005-61	5
	N/A	35-950005-61AWL	2
Tailpipe, RH, Angle Cut	N/A	A35-950005-57	5
	N/A	35-950005-57AWL	5
Tailpipe, LH, Straight Cut	3	A35-950005-11	2
		35-950005-11AWL	5
Tailpipe, RH, Straight Cut	4	A35-950005-9	2
		35-950005-9AWL	5

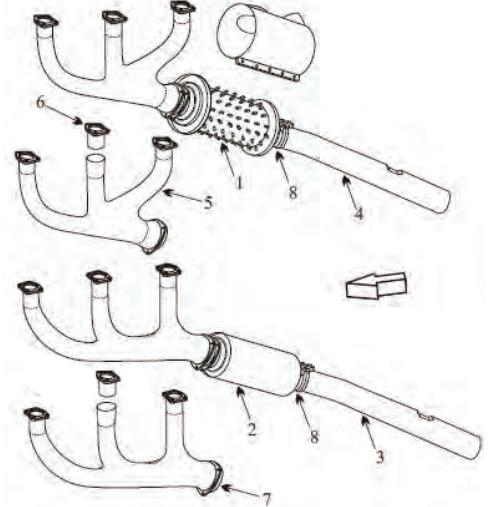
Notes:
1 Models 35-A33 S/N CD-225 thru CD-232, CD-235, CD-237 thru CD-240, CD-242 thru CD-245, CD-251 thru CD-387, 35-B33, 35-C33, E33, F33 only
2 Models 35-C33A, E33A, C, F33C only
3 Models F33A S/N CE-290 thru CE-470, F33C S/N CJ-26 thru CJ-51, G33

Notes continued on next column

Part numbers with "A" prefix are manufactured by AeroSpace Welding Minneapolis, Inc. (AWI)

Part numbers with "AWL" suffix are manufactured by Acorn Welding, Ltd.

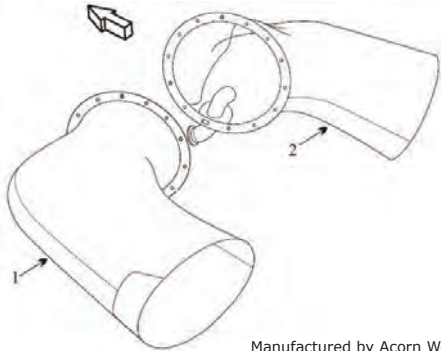
Notes continued from previous column
4 Models F33A S/N CE-471 and on, F33C S/N CJ-52 and on
5 Models F33A, F33C only
6 Models F33A, F33C, G33 only
7 Except S/N CD-982
8 Both Left and Right Hand exhaust collectors must be purchased when upgrading from standard exhaust to High Performance
9 Riser 35-950005-43AWL required with purchase
10 Riser 35-950005-63AWL required with purchase
11 Inconel Cone
12 Stainless Steel Cone



300, 300LW, B300, B300C
S/N FA-1 thru FA-230
FF-1 thru FF-19
FL-1 thru FL-9999
FM-1 thru FM-9999
FN-1

Description	Idx	Part Number	
Stack, LH	1	101-950017-101AWL	1
		130-950001-29AWL	1
		101-950017-103AWL	1
Stack, RH	2	130-950001-31AWL	1

Notes:
1 Models 300 S/N FA-2 thru FA-224, FF-1 and on, 300LW, B300, B300C



Manufactured by Acorn Welding, Ltd.

1900, 1900C, D
S/N UA-2 thru UA-3
UB-1 thru UB-74
UC-1 thru UC-174
UD-1 thru UD-6
UE-1 thru UE-439

Description	Idx	Part Number	
Stack, LH Inboard		118-950023-45AWL	1
Stack, RH Outboard		118-950023-47AWL	1
Stack, LH Inboard / RH Outboard		129-950020-11AWL	2
Stack, RH Inboard / LH Outboard		129-950000-15AWL	2
		118-950023-43AWL	1
Reinforcement Doubler		129-950033-1AWL	

Notes:
1 Models 1900 S/N UA-3, 1900C
2 Model 1900D only

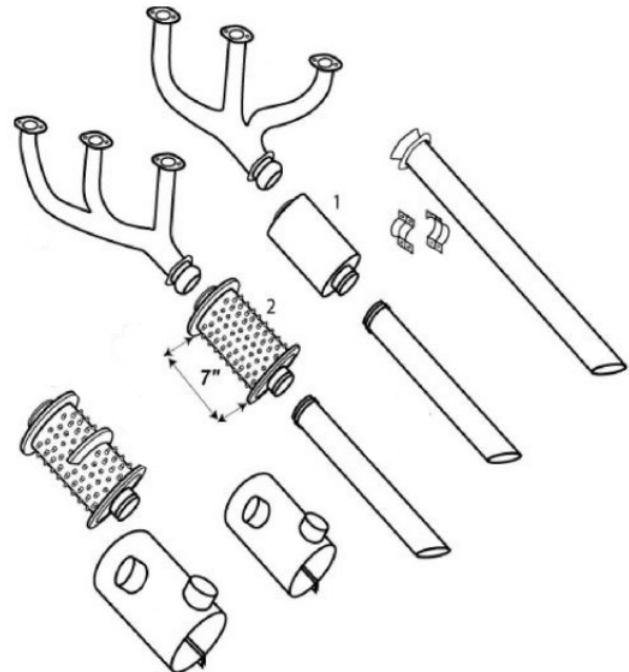
Manufactured by Acorn Welding, Ltd.

35, A35, B35, C35, D35, E35, F35, G35
S/N D-1 thru D-4865

Description	Idx	Part Number	
Muffler, LH	2	A186	1 2
Muffler, RH	1	A189	1 2

Notes:
1 Models 35, A35, B35, C35, D35, E35, F35, G35 only
2 Except S/N D-3293 or D-4376

Manufactured by AeroSpace Welding Minneapolis, Inc. (AWI)

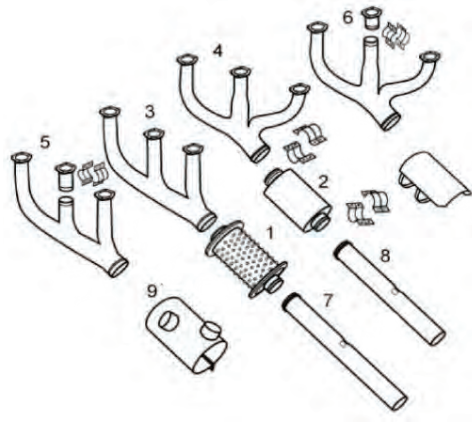


H35, J35, K35, M35, N35, P35 S/N D-4866 thru D-7108		
Description	Idx	Part Number
Clamp, w/hardware	9	A35-950004-17
Muffler, LH	2	701-20AWL
Muffler, RH	1	701-21AWL
Muffler, LH, Fixed	1	492-43AWL 3
		A492-43 3
Muffler, RH, Fixed	2	492-27AWL 3
		A492-27 3
Riser, LH Center	3	35-950005-43AWL
Riser, RH Center	4	35-950005-63AWL
Stack, LH	5	35-950005-37AWL 1
Stack, RH	6	35-950005-39AWL 2
Tailpipe, LH, Fixed	7	35-950004-7AWL 3
		A35-950004-7 3
Tailpipe, RH, Fixed	8	35-950004-9AWL 3
		A35-950004-9 3

Notes:
1 Riser 35-950005-43AWL required with purchase
2 Riser 35-950005-63AWL required with purchase
3 Must be used with Fixed Collector only

Part numbers with "A" prefix are manufactured by AeroSpace Welding Minneapolis, Inc. (AWI)

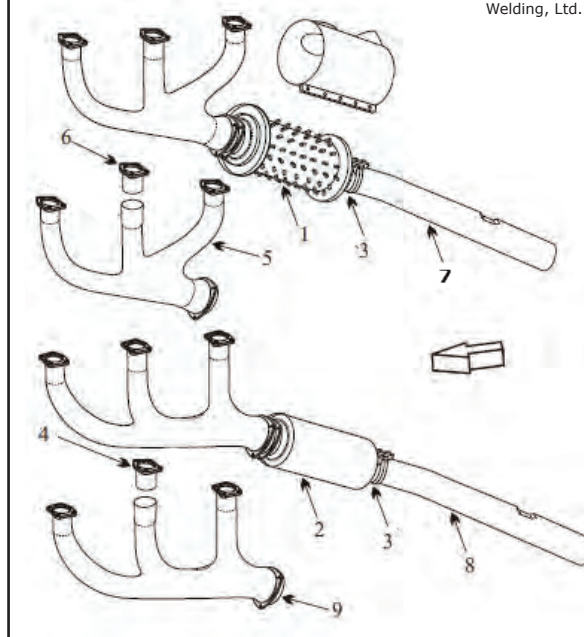
Part numbers with "AWL" suffix are manufactured by Acorn Welding, Ltd.



S35, V35, V35A, V35B S/N D-7310 thru D-9999		
Description	Idx	Part Number
Clamp, w/hardware	3	A35-950004-17 1
Muffler, LH	2	A701-4 2 3
		A701-20 5
		701-20AWL 5
Muffler, RH	1	A701-5 2 6
		A701-19 5
Riser, LH Center	4	35-950005-43AWL
Riser, RH Center	6	35-950005-63AWL
Stack, LH	9	35-950005-37AWL 3
		A35-950005-37M 2
Stack, RH	5	35-950005-39AWL 4
		A35-950005-39M 2
Stack, LH, High Performance	9	A35-950005-37HP 7
Stack, RH, High Performance	N/A	A35-950005-39HP 7
Tailpipe, LH, Angle Cut	N/A	A35-950005-61
	N/A	35-950005-61AWL
Tailpipe, RH, Angle Cut	N/A	A35-950005-57
	N/A	35-950005-57AWL
Tailpipe, LH, Straight Cut	8	35-950005-11AWL
		35-950005-9
Tailpipe, RH, Straight Cut	7	A35-950005-9AWL

Notes:
1 Models S35, V35B S/N D-9069 thru D-9551 only
2 Models S35, V35, V35A, V35B S/N D-9069 thru D-9551 only
3 Riser 35-950005-43AWL required with purchase
4 Riser 35-950005-63AWL required with purchase
5 Inconel Cone
6 Stainless Steel Cone

7 Both Left and Right Hand exhaust collectors must be purchased when upgrading from standard exhaust to High Performance



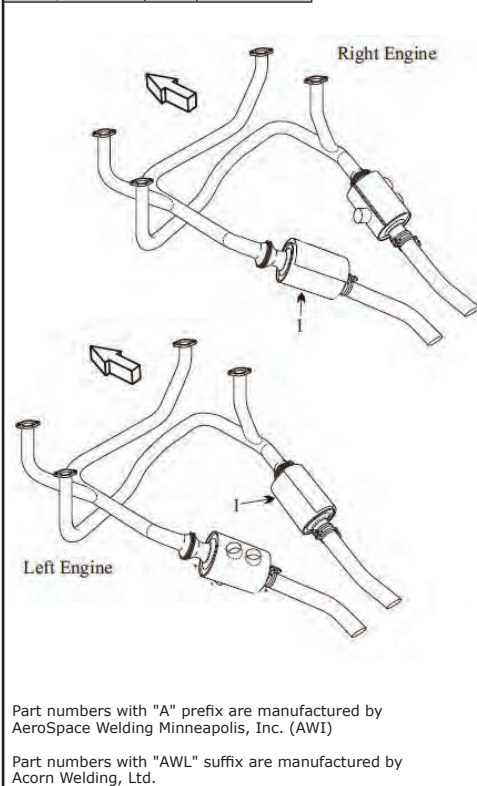
36, A36, G36 S/N E-1 thru E-9999		
Description	Idx	Part Number
Clamp, w/Hardware	3	A35-950004-17
Muffler, LH	2	701-20AWL 3
		A701-20 1 3
Muffler, RH	1	701-21AWL 3
		A701-19 1 3
Riser, LH Center	4	35-950005-43AWL
Riser, RH Center	6	35-950005-63AWL
Stack, LH	9	35-950005-37AWL 2
		A35-950005-37M 2
Stack, RH	5	35-950005-39AWL 4
		A35-950005-39M 2
Stack, LH, High Performance	9	A35-950005-37HP 2 6
Stack, RH, High Performance	N/A	A35-950005-39HP 2 6
Tailpipe, LH, Angle Cut	N/A	A35-950005-61
	N/A	35-950005-61AWL
Tailpipe, RH, Angle Cut	N/A	A35-950005-57
	N/A	35-950005-57AWL
Tailpipe, LH, Straight Cut	8	A35-950005-11
		35-950005-11AWL
Tailpipe, RH, Straight Cut	7	A35-950005-9AWL

Notes:
1 Model 36 only
2 Models 36, A36 only
3 Inconel Cone
4 Riser 35-950005-43AWL required with purchase
5 Riser 35-950005-63AWL required with purchase
6 Both Left and Right Hand exhaust collectors must be purchased when upgrading from standard exhaust to High Performance

Part numbers with "A" prefix are manufactured by AeroSpace Welding Minneapolis, Inc. (AWI)

Part numbers with "AWL" suffix are manufactured by Acorn Welding, Ltd.

95, B95, B95A S/N TD-2 thru TD-533		
Description	Idx	Part Number
Muffler, Inboard	1	A189



Part numbers with "A" prefix are manufactured by AeroSpace Welding Minneapolis, Inc. (AWI)

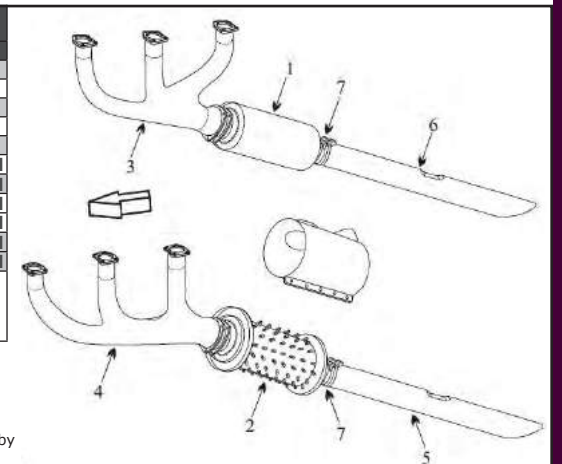
Part numbers with "AWL" suffix are manufactured by Acorn Welding, Ltd.

P35 S/N D-7109 thru D-7309		
Description	Idx	Part Number
Clamp, w/hardware	7	A35-950004-17
Muffler, RH	1	701-20AWL
Muffler, LH	2	701-21AWL
Riser, LH Center	4	35-950005-43AWL
Riser, RH Center	3	35-950005-63AWL
Stack, LH	N/A	35-950005-37AWL 1
Stack, RH	N/A	35-950005-39AWL 2
Tailpipe, LH, Fixed	5	35-950004-7AWL 3
		A35-950004-7 3
Tailpipe, RH, Fixed	6	35-950004-9AWL 3
		A35-950004-9 3

Notes:
1 Riser 35-950005-43AWL required with purchase
2 Riser 35-950005-63AWL required with purchase
3 Must be used with Fixed Collector only

Part numbers with "A" prefix are manufactured by AeroSpace Welding Minneapolis, Inc. (AWI)

Part numbers with "AWL" suffix are manufactured by Acorn Welding, Ltd.



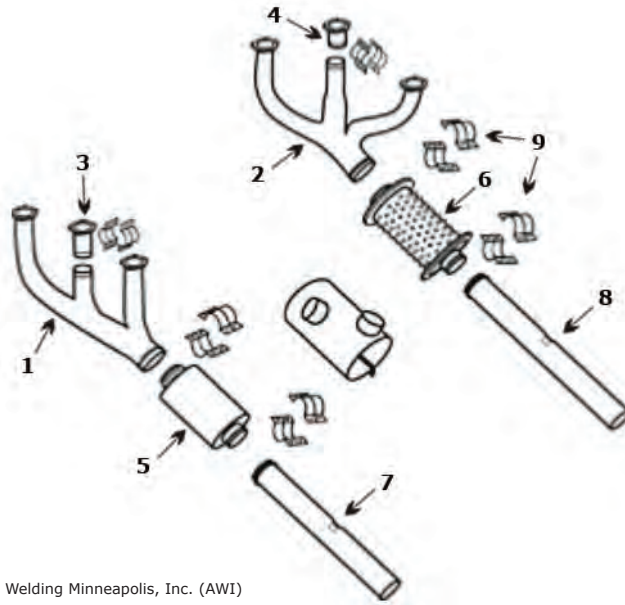
Exhaust System Components

Navion (Army L-17A), Navion 16A,
 Navion A,B,D,E,F,G,H
 S/N NAV-4-2 and On
 NAV-4-2B and On
 NAV-4-2351G and On
 NAV-4-2500T and On

Description	Idx	Part Number
Clamp, w/Hardware	9	A35-950004-17
Muffler, LH	5	A701-4
Muffler, RH	6	A701-5
Stack, LH	1	A35-950005-37M
Stack, RH	2	A35-950005-39M
Stack, LH, High Performance	1	A35-950005-37HP 1
Stack, RH, High Performance	2	A35-950005-39HP 1
Tailpipe, LH, Angle Cut	8	A35-950005-61
Tailpipe, RH, Angle Cut	7	A35-950005-57
Tailpipe, LH, Straight Cut	8	A35-950005-11
Tailpipe, RH, Straight Cut	7	A35-950005-9

Notes:

1 Both Left and Right Hand exhaust collectors must be purchased when upgrading from standard exhaust to High Performance.



Part numbers with "A" prefix are manufactured by AeroSpace Welding Minneapolis, Inc. (AWI)

Part numbers with "AWL" suffix are manufactured by Acorn Welding, Ltd.

Champion/Aeronca 7GCAA, 7GCB, 7KCAB, 8KCAB
 S/N All

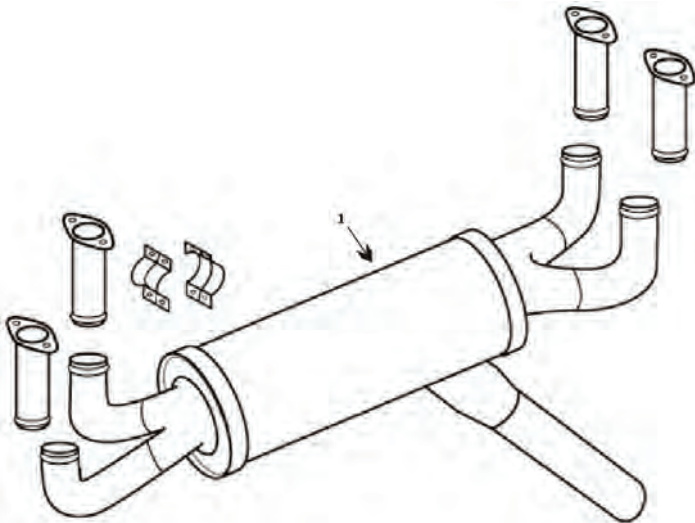
Description	Idx	Part Number
Muffler	1	A099001-190 1 3
		A099001-193 2 3

Notes:

1 Models 7GCAA, 7GCB, 7KCAB only

2 Model 8KCAB only

3 Partial eligibility. See www.mcfarlaneaviation.com for full eligibility



Part numbers with "A" prefix are manufactured by AeroSpace Welding Minneapolis, Inc. (AWI)

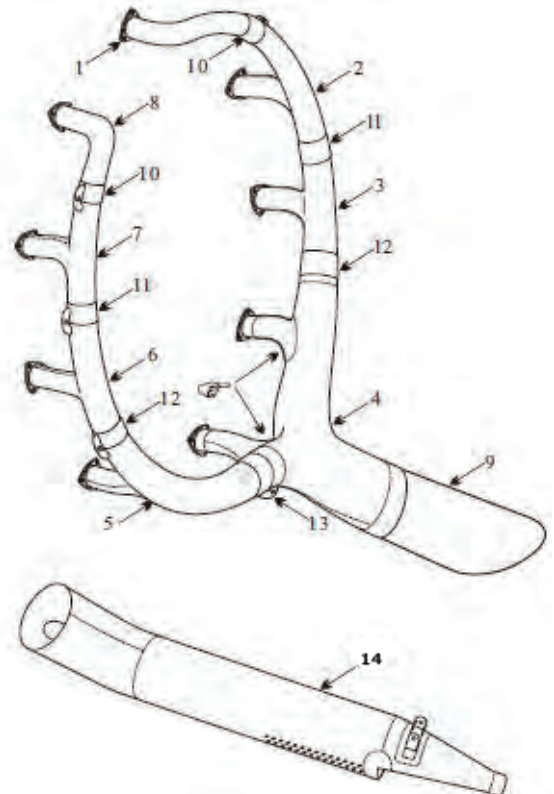
Part numbers with "AWL" suffix are manufactured by Acorn Welding, Ltd.

Part numbers with "A" prefix are manufactured by AeroSpace Welding Minneapolis, Inc. (AWI)

Part numbers with "AWL" suffix are manufactured by Acorn Welding, Ltd.

De Havilland DHC-2 Mk 1
 S/N All

Description	Idx	Part Number
Cylinder #1, Exhaust Segment	1	C2EE243AWL
Cylinder #2, Exhaust Segment	2	C2EE245AWL
Cylinder #3, Exhaust Segment	3	C2EE247AWL
Cylinder #4/5, Exhaust Segment	4	C2EE249AWL
Cylinder #6, Exhaust Segment	5	C2EE251AWL
Cylinder #7, Exhaust Segment	6	C2EE253AWL
Cylinder #8, Exhaust Segment	7	C2EE255AWL
Cylinder #9, Exhaust Segment	8	C2EE257AWL
Extension Pipe	9	C2EE261AWL
Heater Pipe Assembly	14	C2EE281AWL
Sleeve, Cylinder #1/2/8/9	10	C2EE359AWL
Sleeve, Cylinder #2/3/7/8	11	C2EE363AWL
Sleeve, Cylinder #3/4/6/7	12	C2EE367AWL
Sleeve, Cylinder #5/6	13	C2EE371AWL

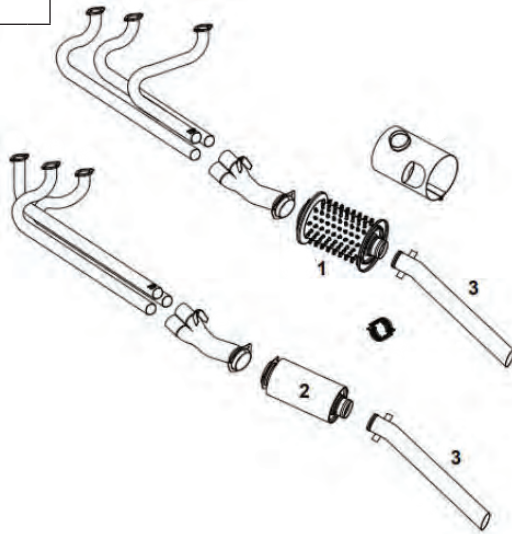


Cirrus SR20
S/N 1423 and on

Description	Idx	Part Number
Heat Exchanger	1	A20559-002 1
		A20559-004 2
Muffler	2	A20560-001
Tailpipe	3	A20556-002 2

Notes:
1 S/N 1423 thru 1885 only
2 S/N 1424 and on only
3 S/N 1886 and on only

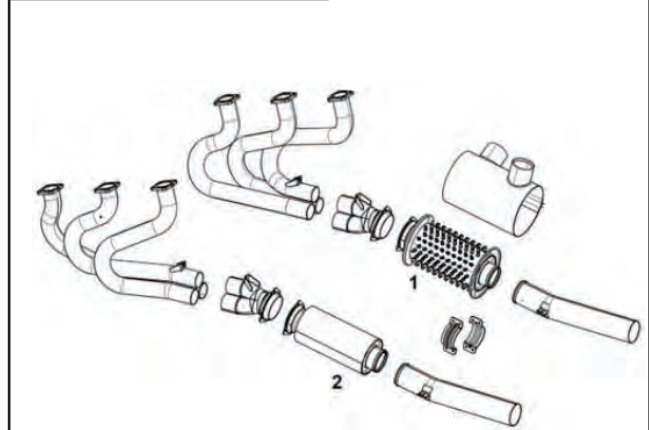
Part numbers with "A" prefix are manufactured by AeroSpace Welding Minneapolis, Inc. (AWI)
 Part numbers with "AWL" suffix are manufactured by Acorn Welding, Ltd.



Cirrus SR22
S/N 0320 and on

Description	Idx	Part Number
Heat Exchanger	1	A14837-001 1
		A21892-001 2
Muffler	2	A14836-001

Notes:
1 S/N 0320 thru 2437 only
2 S/N 2437 and on only



Part numbers with "A" prefix are manufactured by AeroSpace Welding Minneapolis, Inc. (AWI)

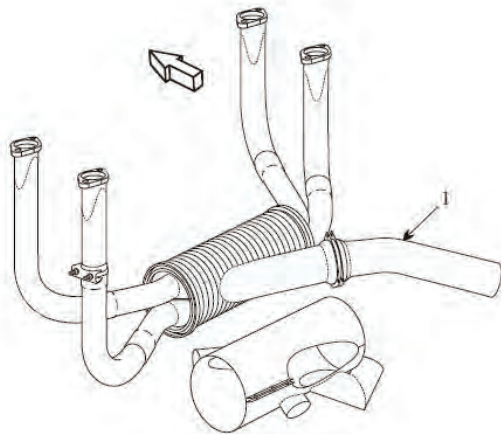
Part numbers with "AWL" suffix are manufactured by Acorn Welding, Ltd.

Mooney M20C,G
S/N 20-0001 thru 20-1258
2807 thru 3466
670001 thru 670149
680001 thru 680198
700001 thru 700091
680001 thru 680164

Description	Idx	Part Number
Tailpipe	1	A630066-000

Part numbers with "A" prefix are manufactured by AeroSpace Welding Minneapolis, Inc. (AWI)

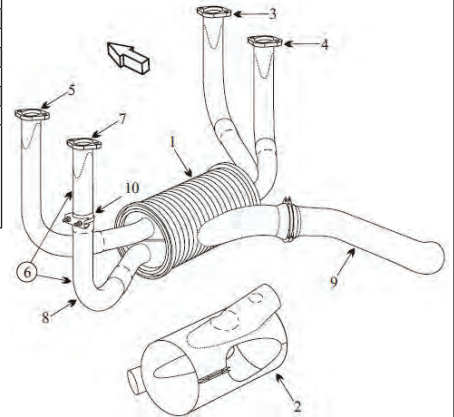
Part numbers with "AWL" suffix are manufactured by Acorn Welding, Ltd.



Mooney M20E
S/N 101 thru 469
470 thru 1308
21-0001 thru 21-1180
670001 thru 670062
690001 thru 690073
700001 thru 700061

Description	Idx	Part Number
Muffler	1	A630045-503 1
Riser, LH Aft	6	A630053-513 1
Riser, LH Aft Lower	8	A630053-015 1
Riser, LH Aft Upper	7	A630053-013 1
Riser, RH Aft	4	A630053-507 1
Riser, LH Fwd	5	A630053-509 1
Riser, RH Fwd	3	A630053-511 1
Tailpipe	9	A630056-501

Notes:
1 S/N 101 thru 400,470 thru 1217,1219, 1221,1223 thru 1308,21-0001 thru 21-1180, 670001 thru 670062,690001 thru 90073, 700001 thru 700043,700045 thru 700052, 700055 thru 700056,700060 thru 700061



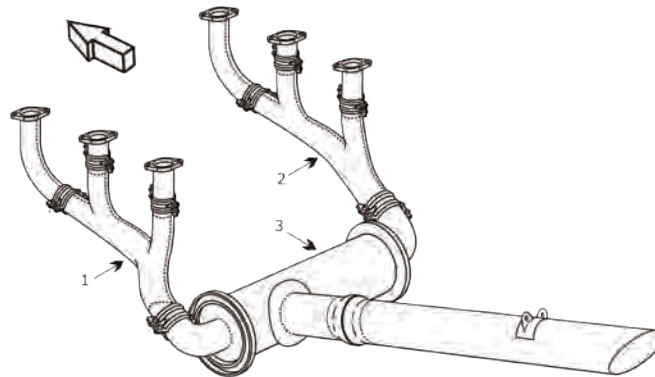
Part numbers with "A" prefix are manufactured by AeroSpace Welding Minneapolis, Inc. (AWI)

Part numbers with "AWL" suffix are manufactured by Acorn Welding, Ltd.

Robinson R44
S/N 0002 thru 9999

Description	Idx	Part Number
Collector, LH	1	C169-5AWL
Collector, RH	2	C169-6AWL
	3	C169-3AWL
Muffler	N/A	C169-32AWL 1

Notes:
1 Robinson R44 Raven II only



Part numbers with "A" prefix are manufactured by AeroSpace Welding Minneapolis, Inc. (AWI)

Part numbers with "AWL" suffix are manufactured by Acorn Welding, Ltd.

For the most up-to-date eligibility and product images, visit our website, or scan this code for direct access!



.../products/category/exhaust-system/

Exhaust System Components

Grumman AA-1, AA-1A, AA-1B, AA-1C, AA-5, AA-5A, AA-5B, GA-7
S/N AA1-0433 and On
AA1A-0001 and On
AA1B and On
AA1B-0601 and On
AA5-0001 and On
AA5A-0283 and On
AA5B-0001 and On

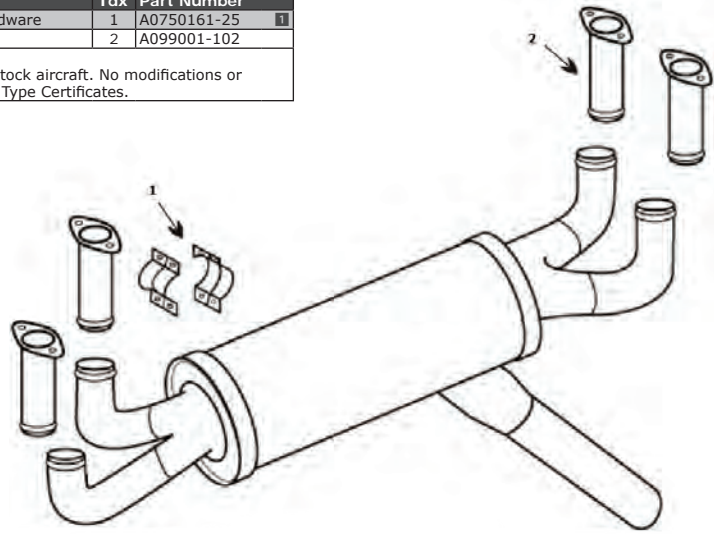
Description	Idx	Part Number
Clamp, w/Hardware	1	A0750161-25 1
Riser, Curved	N/A	A099005-184 2
Riser, Straight	2	A099001-102 1

Notes:
1 S/N AA1-0001 thru AA1-0459, AA1A-0001 thru AA1-0470, AA-1B All, AA-1C All, S/N AA5-0001 thru AA5-0640, AA-5A All, AA-5B All
2 Model AA-5B Only
3 Must be a stock aircraft. No modifications or Supplemental Type Certificates.

Aero Commander 100-180
S/N 5001 and On

Description	Idx	Part Number
Clamp, w/Hardware	1	A0750161-25 1
Riser, Straight	2	A099001-102

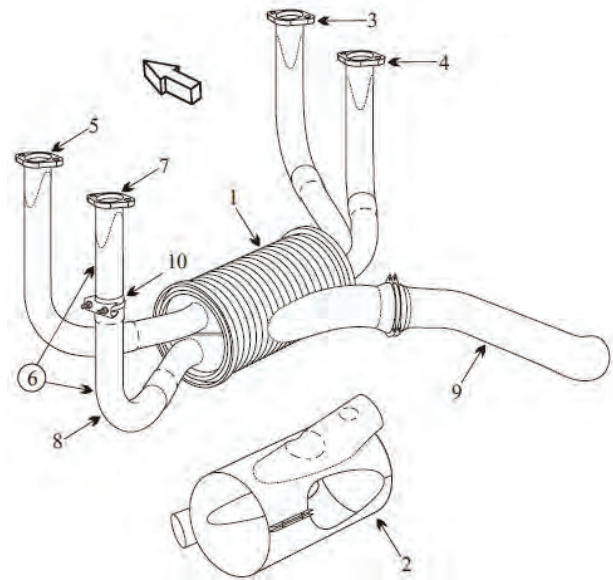
Notes:
1 Must be a stock aircraft. No modifications or Supplemental Type Certificates.



Part numbers with "A" prefix are manufactured by AeroSpace Welding Minneapolis, Inc. (AWI)
 Part numbers with "AWL" suffix are manufactured by Acorn Welding, Ltd.

Mooney M20J
S/N 24-0002 thru 24-3431

Description	Idx	Part Number
Muffler	1	A630045-503
Riser, LH Aft	6	A630053-513
Riser, LH, Aft Lower	8	A630053-015
Riser, LH, Aft Upper	7	A630053-013
Riser, RH Aft	4	A630053-507
Riser, LH Fwd	5	A630053-509
Riser, RH Fwd	3	A630053-511
Tailpipe	9	A630056-501

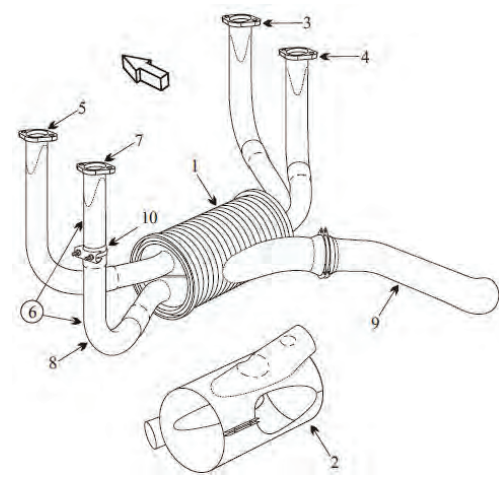


Part numbers with "A" prefix are manufactured by AeroSpace Welding Minneapolis, Inc. (AWI)
 Part numbers with "AWL" suffix are manufactured by Acorn Welding, Ltd.

Mooney M20F
S/N 22-0001 thru 22-1439
660002 thru 660004
670001 thru 670539
680001 thru 680206
690001 thru 690092
700001 thru 700061

Description	Idx	Part Number
Muffler	1	A630045-503 1
Riser, LH Aft	6	A630053-513 1
Riser, LH Aft Lower	8	A630053-015 1
Riser, LH Aft Upper	7	A630053-013 1
Riser, RH Aft	4	A630053-507 1
Riser, LH Fwd	5	A630053-509 1
Riser, RH Fwd	3	A630053-511 1
Tailpipe	9	A630056-501

Notes:
1 S/N 22-0001 thru 22-1439, 660002 thru 660004, 670001 thru 6700363, 670365 thru 670385, 670387 thru 670482, 670484 thru 670539, 680001 thru 680206, 690003 thru 690090, 690092, 700001 thru 700061, 700063 thru 700066, 700070 thru 700072

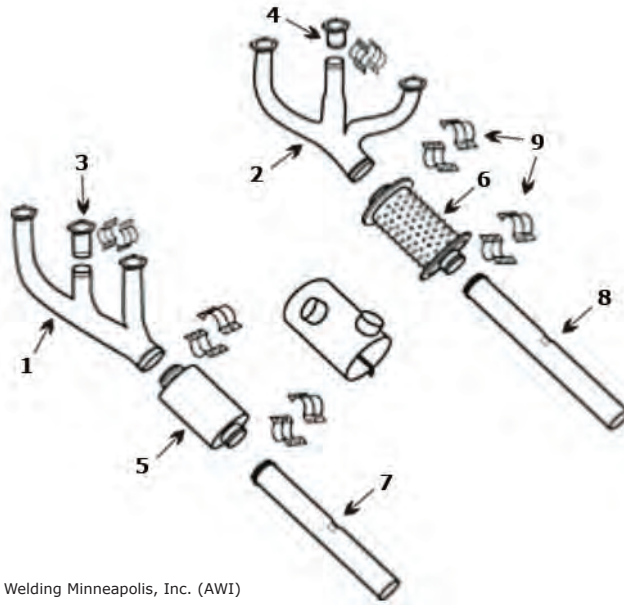


Part numbers with "A" prefix are manufactured by AeroSpace Welding Minneapolis, Inc. (AWI)
 Part numbers with "AWL" suffix are manufactured by Acorn Welding, Ltd.

Navion (Army L-17A), Navion 16A,
Navion A,B,D,E,F,G,H
S/N NAV-4-2 and On
NAV-4-2B and On
NAV-4-2351G and On
NAV-4-2500T and On

Description	Idx	Part Number
Clamp, w/Hardware	9	A35-950004-17
Muffler, LH	5	A701-4
Muffler, RH	6	A701-5
Stack, LH	1	A35-950005-37M
Stack, RH	2	A35-950005-39M
Stack, LH, High Performance	1	A35-950005-37HP 1
Stack, RH, High Performance	2	A35-950005-39HP 1
Tailpipe, LH, Angle Cut	8	A35-950005-61
Tailpipe, RH, Angle Cut	7	A35-950005-57
Tailpipe, LH, Straight Cut	8	A35-950005-11
Tailpipe, RH, Straight Cut	7	A35-950005-9

Notes:
1 Both Left and Right Hand exhaust collectors must be purchased when upgrading from standard exhaust to High Performance.

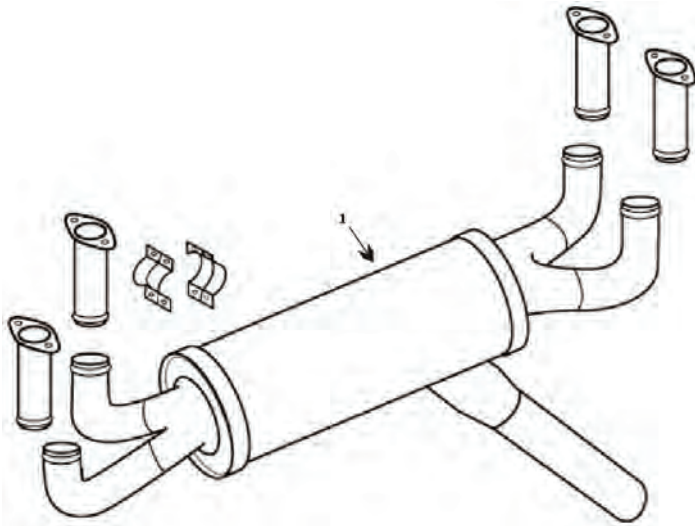


Part numbers with "A" prefix are manufactured by AeroSpace Welding Minneapolis, Inc. (AWI)
Part numbers with "AWL" suffix are manufactured by Acorn Welding, Ltd.

Champion/Aeronca 7GCAA, 7GCB, 7KCAB, 8KCAB
S/N All

Description	Idx	Part Number
Muffler	1	A099001-190 1 3
		A099001-193 2 3

Notes:
1 Models 7GCAA, 7GCB, 7KCAB only
2 Model 8KCAB only
3 Partial eligibility. See www.mcfarlaneaviation.com for full eligibility

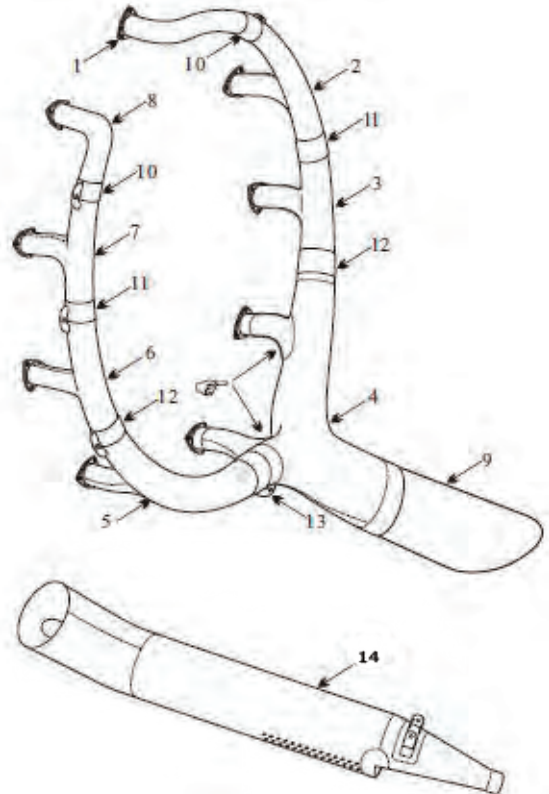


Part numbers with "A" prefix are manufactured by AeroSpace Welding Minneapolis, Inc. (AWI)
Part numbers with "AWL" suffix are manufactured by Acorn Welding, Ltd.

Part numbers with "A" prefix are manufactured by AeroSpace Welding Minneapolis, Inc. (AWI)
Part numbers with "AWL" suffix are manufactured by Acorn Welding, Ltd.

De Havilland DHC-2 Mk 1
S/N All

Description	Idx	Part Number
Cylinder #1, Exhaust Segment	1	C2EE243AWL
Cylinder #2, Exhaust Segment	2	C2EE245AWL
Cylinder #3, Exhaust Segment	3	C2EE247AWL
Cylinder #4/5, Exhaust Segment	4	C2EE249AWL
Cylinder #6, Exhaust Segment	5	C2EE251AWL
Cylinder #7, Exhaust Segment	6	C2EE253AWL
Cylinder #8, Exhaust Segment	7	C2EE255AWL
Cylinder #9, Exhaust Segment	8	C2EE257AWL
Extension Pipe	9	C2EE261AWL
Heater Pipe Assembly	14	C2EE281AWL
Sleeve, Cylinder #1/2/8/9	10	C2EE359AWL
Sleeve, Cylinder #2/3/7/8	11	C2EE363AWL
Sleeve, Cylinder #3/4/6/7	12	C2EE367AWL
Sleeve, Cylinder #5/6	13	C2EE371AWL



FAA-PMA Approved

Fuel Primer Seal Kit

P/N FPS-KT-1

Contains two MIL-SPEC fuel-proof fluoroelastomer (Viton) o-rings required to service most standard fuel primers.



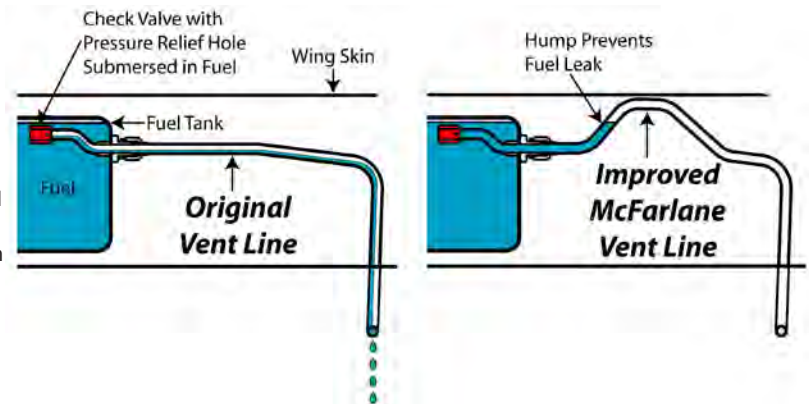
Fuel System Parts

Improved Fuel Vent Lines for Cessna Aircraft

Stops fuel waste!

- Stops asphalt damage
- Stops environmental damage
- Fly with known full tanks
- Extends useful range
- Pays for itself quickly at \$4.00 per gallon
- Adds value to your airplane
- FAA-PMA direct replacement, no STC or 337 form needed

The fuel vent line on most Cessna single engine aircraft attaches to a check valve inside the tank to prevent fuel from flowing out of the vent line, but this valve has a weep hole that allows some fuel to pass to prevent over-pressurization. Unfortunately, this weep hole is much lower than the fuel level with full tanks. Fuel will continuously leak out of the vent line until the fuel level is below the weep hole. With the original vent line, you cannot fill the tanks without wasting a lot of fuel.



The Cessna legacy aircraft also have a tank interconnect vent line that allows fuel from both tanks to leak out of the vent. When parked on an unlevel surface, the fuel loss from these aircraft can be many gallons.

McFarlane has solved these problems with a redesigned vent line featuring a unique hump that extends above the top of the tank. Some fuel can still escape through the weep hole and out the vent to prevent over-pressurization. However, once the pressure is relieved, the tanks will remain full.

Convenient Kits and Components

Kits containing a new connection hose (where required), P/N MCS1495-8 and rubber grommet, P/N MS35489-14 are also available where applicable. Just add a "K" suffix to the part numbers listed below. Rubber tubing sold by the foot is available by ordering P/N R221485.

Installation Tip:

Access to loosen or tighten the vent line in most of the Cessna aircraft is very tight because the tube flare nut ("B" nut) sits partway in the wing rib. However, with the correct wrench, you can normally loosen the nut from the under-wing inspection holes without removing the top tank access skin. The fitting in the tank has indexing flats and will normally not rotate while the tube flare nut is being loosened and re-tightened for the new line. Use caution in starting the nut as the Cessna tank fitting is a welded assembly with soft aluminum. Be sure not to cross-thread or over tighten the nut as you can easily strip the threads on this fitting.

Aircraft Model	Serial Number	Standard Range Tanks		Extended Range Tanks	
		Left	Right	Left	Right
150, 150A	All	MC0400311-119 Only for use with Cessna vent assembly 0523552-2		MC0400311-121 Only for use with Cessna vent assembly 0523552-2	
150B,C,D,E,F,G,H,I,J,K,L,M, F150F,G,H,I,J,K,L,M	All	MC0400311-119		MC0400311-121	
A150K,L,M, FA150K,L,M, FRA150L,M	All	MC0400311-120			
152, F152	All	MC0400311-119		MC0400311-121	
A152, FA152	All	MC0400311-120			
172, 172A,B,C	All	MC0523559-8 Only for use with Cessna vent assembly 0523552-2			
172D,E,F,G,H,I		MC0523559-8			
172K,L,M	17257162 thru 17260805	MC0523559-8		MC0523559-6	
172M ,N	17260806 thru 17274009	MC0523559-12		MC0523559-11	
172P	All	MC0523559-12 MC0523098-1 Integral Cell		MC0523559-11	
172Q	All	MC0523559-11 MC0523098-1 Integral Cell			
172RG	All	MC0523098-1			
F172D,E,F,G,H	F172-0001 thru F172-0561	MC0523559-8			
F172H ,K,L	F172-0560 thru F17200904	MC0523559-8		MC0523559-6	
F172M	F17200905 thru F17201234	MC0523559-12			
F172M ,N	F17201235 thru F17202254	MC0523559-12		MC0523559-11	
FP172	All	MC0523559-6			

Continued on next page

Improved Fuel Vent Lines for Cessna Aircraft

Continued from previous page

Aircraft Model	Serial Number	Standard Range Tanks		Extended Range Tanks	
		Left	Right	Left	Right
FR172J,K	All	MC0523559-11 MC0523098-1 Integral Cell			
P172D	All	MC0523559-6			
R172K	All	MC0523559-11 MC0523098-1 Integral Cell			
175, 175A,B,C		MC0523559-6 Only for use with Cessna vent assembly 0523552-2 ²			
180 ¹	32488 thru 32661	MC0716122 Only for use with Service Kit 5K180-6			
180A,B,C,D	All	MC0716127-1			
180E,F	All	MC0716127-1	MC0716127-2 Not used with 0726001-16 RH Standard Fuel Tank	MC1200106-51	MC1200106-52
180G,H,J,K ¹	18051313 thru 18053000	MC0716127-1	MC0716127-2	MC1200106-51	MC1200106-52
180K ¹	18053001 thru 18053203	MC1200106-266	MC1200106-267		
182	All	MC0716122			
182A,B,C,D	All	MC0716127-1			
182E,F,G,H,J,K,L,M,N,P,Q ¹	18253599 thru 18266590	MC0716127-1		MC1200106-51	
182Q ¹ ,R,S,T	18266591 thru 18299999	MC1200106-266	MC1200106-267		
F182P,Q ¹	F18200001 thru F18200094	MC0716127-1		MC1200106-51	
F182Q ¹	F18200095 thru F18200169	MC1200106-266	MC1200106-267		
FR182 ¹	FR18200001 thru FR18200020	MC0716127-1		MC1200106-51	
FR182 ¹	FR18200021 thru FR18200070	MC1200106-266	MC1200106-267		
R182 ¹	R18200001 thru R18200583	MC0716127-1		MC1200106-51	
R182 ¹ ,TR182 ¹	R18200584 thru R18202041	MC1200106-266	MC1200106-267		
T182,T182T	All	MC1200106-266	MC1200106-267		
185, 185A,B,C,D,E,A185E,A185F ¹	185-0001 thru 18503683	MC0716127-1	MC0716127-2	MC1200106-51	MC1200106-52
A185F ¹	18503684 thru 18504448	MC1200106-266	MC1200106-267		
210-5 (205), 210-5A (205A)	All	MC0716127-1	MC0716127-2	MC1200106-51	MC1200106-52
206,P206,P206A,B,C,D,E, TP206A,B,C,D,E TU206A,B,C,D,E,F,G U206, U206A,B,C,D,E,F,G	All	MC0716127-1	MC0716127-2	MC1200106-51	MC1200106-52
206H,T206H	All	MC1200106-266	MC1200106-267		
207,207A,T207,T207A	All	MC0716127-1	MC0716127-2	MC1200106-51	MC1200106-52
210,210A,B,C,D,E,F T210F	All	MC0716127-1	MC0716127-2	MC1200106-51	MC1200106-52

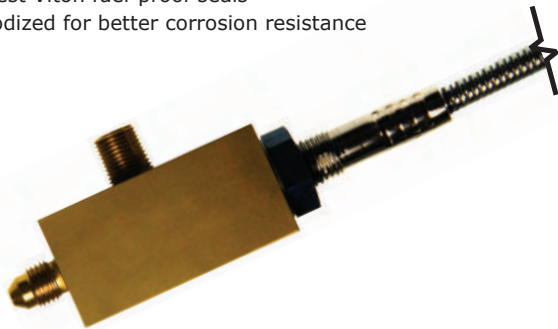
¹ Partial model eligibility

² These aircraft originally used 1/4" vent lines, however they may be upgraded to a 3/8" vent line with the installation of the P/N 0523552-2 vent assembly per the applicable IPC. The indicated McFarlane vent lines are only eligible for use with the upgraded vent assembly.

King Air Fuel Drain Valve

Improved, repairable valve for thousands less than Beech!
Fuel Drain Valve P/N MC90-380016-1

- Improved seal design provides a long life reliable valve
- Teflon lined control conduit and stainless steel cable
- Reliable design - proven over 10,000 cycles
- Approved for models A90, B90, C90, C90A, C90GTi, C90GT, E90, F90, 99, 99A, A99, B99, C99, 100 and A100
- Latest Viton fuel-proof seals
- Anodized for better corrosion resistance



SAVE \$\$\$



P/N MC90-380016-1 consists of two components: a valve housing, and a replaceable valve control/plunger subassembly (P/N 6325K). Only McFarlane valves are repairable, Beech valves do not have replaceable components.

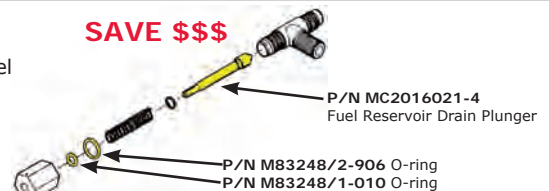
Unheard of 10 Year Limited Warranty!

Cessna 177RG and F177RG Fuel Reservoir Drain Plunger

- All metal, one piece design eliminates the flimsy C-clip
- McFarlane's Vulcanize bonded blue Viton® rubber tip outlasts the original in any fuel
- Convenient kits available containing the plunger and O-rings, P/N FDV-KT-1



SAVE \$\$\$



FAA-PMA Approved

Fuel System Parts

Fuel Strainer Parts for Cessna Aircraft

McFarlane can replace your fuel system parts with high quality McFarlane manufactured parts. Now offering fuel bowls, top assemblies, fuel bowl washers, fuel bowl nuts, standpipes, plungers, stainless steel washers for your plunger, fuel-proof fluoro-carbon O-rings, fuel strainer drain cables and fuel strainer seal kits. **Buy any components separately or as convenient kits.**

- Improved safety
- More reliable
- Longer life
- Less money

Maintenance Tip:

Cleaning the Fuel Screen - The fuel screen is removed by removing the standpipe. The rubber tipped plunger must be unseated before the standpipe is loosened. Failure to lift the plunger off of its standpipe seat can damage the plunger. Pull the strainer drain knob as if you were draining the fuel bowl. Block or clamp the knob in this position. Insert a smooth round tool such as a screw driver or punch in the standpipe cross-hole and un-screw the standpipe.

Fuel Bowl P/N MC0756008-1

- Computer machined (not die cast)
- Gold anodized for additional corrosion resistance
- This bowl is engineered to last!



Fuel Strainer Plunger P/N MC0756010-11

- Special electro polished shaft for longer O-ring life
- McFarlane's Vulcanize bonded blue Viton® rubber tip outlasts the original in any fuel



Fuel Strainer Standpipe P/N MC0756011-1

- Stainless steel
- Costs less
- No more corrosion pits
- No more stripped threads
- The last one you will buy!

Fuel Strainer Drain Cables P/N MCS1517 Series

- Stainless steel conduit
- Improved aluminum knob
- Larger wire diameter



Fuel Strainer Seal Kits P/Ns FS-KT-1, FS-KT-9, FS-KT-10 and FS-KT-11

- Only McFarlane has approval to replace the old less fuel resistant O-rings with the latest fuel-proof fluoro-carbon O-ring.
- Kits include applicable gasket and O-rings to seal the fuel strainer.



Fuel Strainer Gasket P/N MC0756041-1

- Fuel proof Viton foam won't shrink or harden due to fuel exposure
- Fits restart Cessna aircraft and late U206G/TU206G models



Fuel Top Assembly P/N MC0756005-2

- All aluminum construction prevents galvanic corrosion between housing and inlet tube
- Fully anodized to prevent corrosion and galvanic reaction between the brass filter and aluminum inlet tube
- Improved fuel inlet tube attachment ensures a reliable secure fit
- Save \$\$\$



Maintenance Tip:

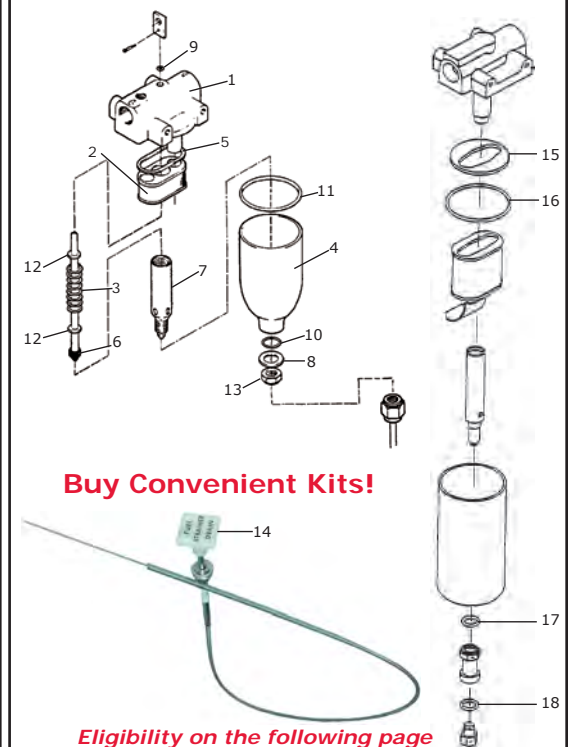
Cessna maintenance manual requires replacement of this gasket every 100 hours.

Fuel Strainer Kits for Cessna Aircraft

Save time and money with convenient kits!

See eligibility on the following page.

Qty	Part Number	Description	Index
FS-KT-1 Fuel Strainer Seal Kit			
1	MC0756009-8	Gasket	5
1	MCM83248/1-010	O-ring	9
1	MCM83248/1-111	O-ring	10
1	MCM83248/1-138	O-ring	11
FS-KT-2 Fuel Bowl Kit			
1	FS-KT-1	Fuel Strainer Seal Kit	
1	MC0756008-1	Fuel Bowl	4
1	MC0756015-1	Washer	8
1	MCS1573-3	Nut	13
FS-KT-3 Fuel Strainer Rebuild Kit			
1	FS-KT-2	Fuel Bowl Kit	
1	0756012-1	Spring	3
1	MC0756010-11	Plunger	6
1	MC0756011-1	Standpipe	7
2	MCS1450-27A7-032	Washer	12
FS-KT-4 Fuel Strainer Kit			
1	FS-KT-3	Fuel Strainer Kit	
1	MC0756005-2	Top Assembly	1
1	0756009-1	Filter	2
FS-KT-5 Fuel Strainer and Cable Kit			
1	FS-KT-4	Fuel Strainer Kit	
1	MCS1517-7	Strainer Drain Cable	14
FS-KT-6 Fuel Strainer Kit			
1	MC0756005-2	Top Assembly	1
1	0756009-7	Filter	2
1	FS-KT-3	Fuel Strainer Rebuild Kit	
FS-KT-7 Fuel Strainer and Cable Kit			
1	FS-KT-6	Fuel Strainer Kit	
1	MCS1517-7	Strainer Drain Cable	14
FS-KT-9 Fuel Strainer Seal Kit			
1	MC0756041-1	Gasket	15
1	M83248/1-011	O-ring	18
1	M83248/1-111	O-ring	17
1	M83248/1-138	O-ring	16
FS-KT-10 Fuel Strainer Seal Kit			
1	MC0756041-1	Gasket	15
1	M83248/1-010	O-ring	9
1	M83248/1-111	O-ring	17
1	M83248/1-138	O-ring	16
FS-KT-11 Fuel Strainer Seal Kit			
1	MC0756041-1	Gasket	15
1	M83248/1-111	O-ring	17
1	M83248/1-138	O-ring	16
FS-KT-12 Fuel Plunger Kit			
1	FS-KT-1	Fuel Strainer Seal Kit	
1	MC0756010-11	Plunger	6
1	MC0756015-1	Washer	8
1	MCS1573-3	Nut	13



Buy Convenient Kits!

Eligibility on the following page

Eligibility for Cessna Fuel Strainer Parts and Kits

Cessna Models	Serial Numbers	P/N and Description	MC0756005-2 Fuel Top Assembly	MC0756008-1 Fuel Bowl	MC0756010-11 Fuel Strainer Plunger	MC0756011-1 Fuel Strainer Standpipe	MCS1517-7 Fuel Strainer Drain Cable	FS-KT-1 Fuel Strainer Seal Kit	FS-KT-2 Fuel Bowl Kit	FS-KT-3 Fuel Strainer Rebuild Kit	FS-KT-4 Fuel Strainer Kit	FS-KT-5 Fuel Strainer and Cable Kit	FS-KT-6 Fuel Strainer Kit	FS-KT-7 Fuel Strainer and Cable Kit	FS-KT-9 Fuel Strainer Seal Kit	FS-KT-10 Fuel Strainer Seal Kit	FS-KT-11 Fuel Strainer Seal Kit	FS-KT-12 Fuel Plunger Kit
150E	15060773 thru 15061152		*	*	*	*	*	*	*	*	*	*	*	*	*	*	*	*
150E,F,G,H,J,K,L,M, A150K,L,M	15061153 thru 15079405 and A1500001 thru A1500734		*	*	*	*	*	*	*	*	*	*	*	*	*	*	*	*
F150F,G,H,J,K,L,M, FA150K,L,M	All		*	*	*	*	*	*	*	*	*	*	*	*	*	*	*	*
FRA150L,M	All		*	*	*	*	*	*	*	*	*	*	*	*	*	*	*	*
152, A152	All		*	*	*	*	*	*	*	*	*	*	*	*	*	*	*	*
F152, FA152	All		*	*	*	*	*	*	*	*	*	*	*	*	*	*	*	*
172D,E,F	17249545 thru 17252533		*	*	*	*	*	*	*	*	*	*	*	*	*	*	*	*
172F,G,H	17252534 thru 17256512 and 638		*	*	*	*	*	*	*	*	*	*	*	*	*	*	*	*
172I,K,L,M,N,P,Q	All		*	*	*	*	*	*	*	*	*	*	*	*	*	*	*	*
172R,S	All		*	*	*	*	*	*	*	*	*	*	*	*	*	*	*	*
172RG	172RG0001 thru 172RG0890 and 691		*	*	*	*	*	*	*	*	*	*	*	*	*	*	*	*
172RG	172RG0891 thru 172RG1191		*	*	*	*	*	*	*	*	*	*	*	*	*	*	*	*
P172D	All		*	*	*	*	*	*	*	*	*	*	*	*	*	*	*	*
F172D,F	F172-0001 thru F172-0139		*	*	*	*	*	*	*	*	*	*	*	*	*	*	*	*
F172F,G,H,K,L,M,N,P	F172-0140 thru F17202254		*	*	*	*	*	*	*	*	*	*	*	*	*	*	*	*
FR172E	All		*	*	*	*	*	*	*	*	*	*	*	*	*	*	*	*
FR172F,G,H,J,K	All		*	*	*	*	*	*	*	*	*	*	*	*	*	*	*	*
R172E	All		*	*	*	*	*	*	*	*	*	*	*	*	*	*	*	*
R172F,G,H	All		*	*	*	*	*	*	*	*	*	*	*	*	*	*	*	*
R172K	All		*	*	*	*	*	*	*	*	*	*	*	*	*	*	*	*
177, 177A,B	All		*	*	*	*	*	*	*	*	*	*	*	*	*	*	*	*
177RG	All		*	*	*	*	*	*	*	*	*	*	*	*	*	*	*	*
F177RG	All		*	*	*	*	*	*	*	*	*	*	*	*	*	*	*	*
180H,I,J,K	18051497 thru 18051875		*	*	*	*	*	*	*	*	*	*	*	*	*	*	*	*
180H,I,J,K	18051876 thru 18053203		*	*	*	*	*	*	*	*	*	*	*	*	*	*	*	*
182H,I,J,K	18256040 thru 18258505 and 675, 18255845		*	*	*	*	*	*	*	*	*	*	*	*	*	*	*	*
182L,M,N,P,Q,R	All		*	*	*	*	*	*	*	*	*	*	*	*	*	*	*	*
182S,T, T182T	All		*	*	*	*	*	*	*	*	*	*	*	*	*	*	*	*
F182P,Q	All		*	*	*	*	*	*	*	*	*	*	*	*	*	*	*	*
FR182	All		*	*	*	*	*	*	*	*	*	*	*	*	*	*	*	*
R182, TR182	All		*	*	*	*	*	*	*	*	*	*	*	*	*	*	*	*
T182	All		*	*	*	*	*	*	*	*	*	*	*	*	*	*	*	*
185D,E	185-0844 thru 185-1149		*	*	*	*	*	*	*	*	*	*	*	*	*	*	*	*
A185E	185-0968 thru 185-1149		*	*	*	*	*	*	*	*	*	*	*	*	*	*	*	*
A185E,F	185-1150 thru 185-1300		*	*	*	*	*	*	*	*	*	*	*	*	*	*	*	*
A185E,F	185-1301 thru 18504448		*	*	*	*	*	*	*	*	*	*	*	*	*	*	*	*
188, 188A,B	188-0001 thru 18802348 and 653		*	*	*	*	*	*	*	*	*	*	*	*	*	*	*	*
A188,A188A,B (w/fslge tanks)	188-0001 thru 18802348, 18800833T thru 18802348T and 653, 678T		*	*	*	*	*	*	*	*	*	*	*	*	*	*	*	*
A188,A188A,B (w/wing tanks)	188-0001 thru 18802348, 18800833T thru 18802348T and 653, 678T		*	*	*	*	*	*	*	*	*	*	*	*	*	*	*	*
A188B (w/fuselage tank)	18802349 thru 18802745		*	*	*	*	*	*	*	*	*	*	*	*	*	*	*	*
A188B (w/wing tanks)	18802349 thru 18803973, 18802349T thru 18803973T		*	*	*	*	*	*	*	*	*	*	*	*	*	*	*	*
T188C	T18803325T thru T18803974T and T18802839T, 3307T, 3308T		*	*	*	*	*	*	*	*	*	*	*	*	*	*	*	*
206H,T206H	All		*	*	*	*	*	*	*	*	*	*	*	*	*	*	*	*
P206,P206A,B, TP206A,B	All		*	*	*	*	*	*	*	*	*	*	*	*	*	*	*	*
P206C,D,E, TP206C,D,E	All		*	*	*	*	*	*	*	*	*	*	*	*	*	*	*	*
U206, U206A,B	All		*	*	*	*	*	*	*	*	*	*	*	*	*	*	*	*
U206C,D,E,F,G	U206-0915 thru U20606846 and 676		*	*	*	*	*	*	*	*	*	*	*	*	*	*	*	*
U206G	U20606847 thru U20607020		*	*	*	*	*	*	*	*	*	*	*	*	*	*	*	*
TU206A,B	All		*	*	*	*	*	*	*	*	*	*	*	*	*	*	*	*
TU206C,D,E,F,G	U206-0915 thru U20606846 and 676		*	*	*	*	*	*	*	*	*	*	*	*	*	*	*	*
TU206G	U20606847 thru U20607020		*	*	*	*	*	*	*	*	*	*	*	*	*	*	*	*
207,207A,T207,T207A	All		*	*	*	*	*	*	*	*	*	*	*	*	*	*	*	*
210E,F,G	All		*	*	*	*	*	*	*	*	*	*	*	*	*	*	*	*
210H,J,K,L,M,N	21058937 thru 21064535		*	*	*	*	*	*	*	*	*	*	*	*	*	*	*	*
210N	21064536 thru 21064897		*	*	*	*	*	*	*	*	*	*	*	*	*	*	*	*
210R, T210R	All		*	*	*	*	*	*	*	*	*	*	*	*	*	*	*	*
T210F,G	All		*	*	*	*	*	*	*	*	*	*	*	*	*	*	*	*
T210H,J,K,L,M,N	T210-0308 thru T210-0454, 21059200 thru 21064535 and 21058140		*	*	*	*	*	*	*	*	*	*	*	*	*	*	*	*
T210N	21064536 thru 21064897		*	*	*	*	*	*	*	*	*	*	*	*	*	*	*	*
P210N	P21000001 thru P21000760		*	*	*	*	*	*	*	*	*	*	*	*	*	*	*	*
P210N	P21000761 thru P21000834		*	*	*	*	*	*	*	*	*	*	*	*	*	*	*	*
337, 337A,B,C,D,E,F	All		*	*	*	*	*	*	*	*	*	*	*	*	*	*	*	*
337G,H (standard range)	All		*	*	*	*	*	*	*	*	*	*	*	*	*	*	*	*
337G,H (long range), F337E,F,G,H	All		*	*	*	*	*	*	*	*	*	*	*	*	*	*	*	*
FT337E,F, FT337GP, FT337HP	All		*	*	*	*	*	*	*	*	*	*	*	*	*	*	*	*
T337B,C,D,E,F	337-0526 thru 33701351 and 337-0001		*	*	*	*	*	*	*	*	*	*	*	*	*	*	*	*
T337F	33701352 thru 33701398		*	*	*	*	*	*	*	*	*	*	*	*	*	*	*	*
T337H (standard range)	All		*	*	*	*	*	*	*	*	*	*	*	*	*	*	*	*
T337H (long range)	All		*	*	*	*	*	*	*	*	*	*	*	*	*	*	*	*
T337G, P337H	All		*	*	*	*	*	*	*	*	*	*	*	*	*	*	*	*
T1137H-SP	All		*	*	*	*	*	*	*	*	*	*	*	*	*	*	*	*

1 Partial model eligibility
 2 Aircraft without floats use P/N MCS1517-7 and Aircraft with floats use P/N MCS1517-4.
 3 Models 188, 188A, A188, A188A, B/S/N 188-0446 thru 18803926T with wing tanks use P/N MCS1517-12.
 Model T188C, S/N T18803297T thru T18803926T with wing tanks use P/N MCS1517-15.

FAA-PMA Approved

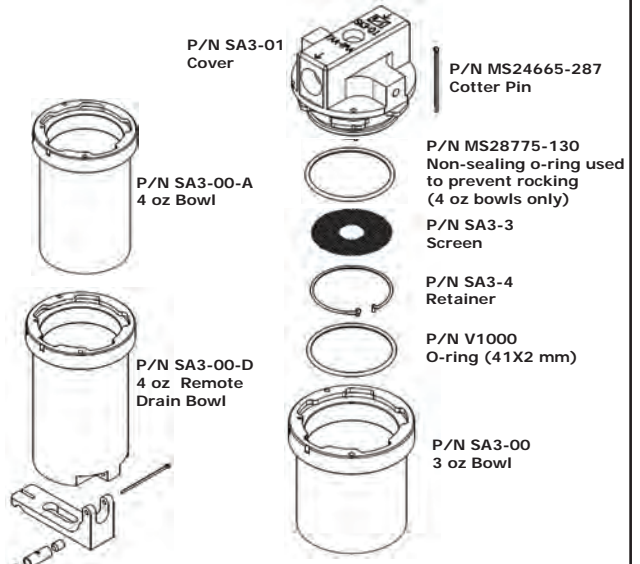
Fuel Gascolator Assemblies

Fast and Easy to Maintain!

Gascolators are precision machined out of 6061 aluminum and an improved O-ring seal. No more wire bails popping out of the cover! Eliminates stripped thumb wheels and screws.

Gascolator fits in existing Piper mounting brackets. Mounting brackets for Cessna aircraft are available. Each gascolator includes a screen, screen retainer and O-rings that seal the bowl to the top of the gascolator. D Series remote drain bowl also include the drain valve and lever.

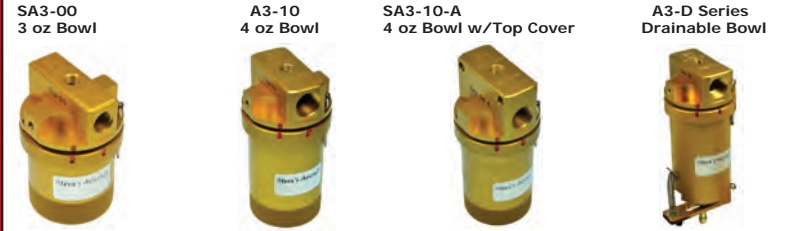
- FAA-PMA/STC (SA01026SE) and EASA approved
- STC, AML and installation instructions included
- Unique bayonet tab lock makes maintenance easy
- Tested to 180 PSI
- Great for homebuilt aircraft
- Spare O-ring included with 4 oz. bowls



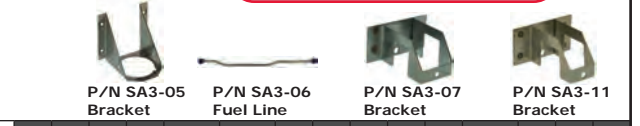
Maintenance Tip:
Avoid sealant on 1st thread to avoid contamination in fuel.

1/4 NPT (3/8 ID Fuel Line) Gascolators					
P/N	Description	Remote Drain	Mounting Style	Sediment capacity (oz)	Max fuel tank capacity (gal)
SA3-00	3 oz bowl		Side	3	60
SA3-00-A	4 oz bowl		Side	4	80
SA3-00-B	3 oz bowl with top mount cover		Top	3	60
SA3-00-B-D	4 oz with top mount cover w/ remote drainable bowl	X	Top	4	80
SA3-00-BS	3 oz bowl for Vulcan Air/Partenavia aircraft only		Side	3	60
SA3-00-C	4 oz bowl with top mount cover		Top	4	80
SA3-00-D	4 oz remote drainable bowl	X	Side	4	80
3/8 NPT (1/2 ID Fuel Line) Gascolators					
SA3-10	4 oz bowl		Side	4	80
SA3-10-A	4 oz bowl with top mount cover		Top	4	80
SA3-10-A-D	4 oz with top mount cover w/ remote drainable bowl	X	Top	4	80
SA3-10-B	3 oz bowl		Side	3	60
SA3-10-C	3 oz bowl with top mount cover		Top	3	60
SA3-10-D	4 oz remote drainable bowl	X	Side	4	80

Individual Components	
C-120/140 Kit	Cessna 120/140 fuel line and bracket install kit contains (1) SA3-05 and (1) SA3-06
SA3-3	Screen
SA3-4	Screen Retainer
SA3-05	Bracket for 120/140 aircraft only
SA3-06	Fuel Line for 120/140 aircraft only
SA3-07	Bracket, Side Mount
SA3-11	Bracket, Top Mount
SA3-14	Barrell Nut Assembly used on "D" remote series only
V1000	O-ring (41X2mm)
MS24665-287	Cotter Pin (3/32" X 1-1/4")
MS28775-130	O-ring



Aircraft	S/N	SA3-00 3 oz Bowl	A3-10 4 oz Bowl	SA3-10-A 4 oz Bowl w/Top Cover	A3-D Series Drainable Bowl
Aeronca, Aero Commander (Dynac), (Voltaire)					
100-180, 15AC, S15AC	All				
100,100A, 10, 10A	All				
11CC, S11CC	All				
50-C,50-L,50-LA,50-TC,50-TL, 60-TF, 65-C,65-CA,65-LA,65LB,65-TAC,65-TAF, 65-TAL,65-TC,65-TF,65-TL, CF,K,KC,KCA,KS, O-58A,O-58B, S15AC, S-50-C, S-65-C,S-65-CA, SO-58B, YO-58,YO-TC	All				
Aviat					
A-1,A-1A,A-1B	All				
A-1C-200	All				
Bellanca					
14-13,14-13-2,14-13-3,14-13-3W	All				
Britten-Norman (Pilatus)					
BN-2,BN-2A,BN-2A-2,BN-2A-3,BN-2A-6,BN-2A-8,BN-2A-9,BN-2A-20, BN-2A-21,BN-2A-26,BN-2A-27, BN-2B-20,BN-2B-21,BN-2B-26,BN-2B-27	All				
Cessna					
120, 140	All				
150, 150A,B,C,D,E	All				
150F,G,H,J,K,L,M	All				
A150K	All				
A150L,M	All				
152, A152	All				
170A,B	All				
172, 172A,B,C,D,E,F	28000 thru 17252533				
172F,G,H,I,K,L,M,N,P,Q	17252534 and On				
172R,S	All				
172RG, P172D, R172E,F,G,H,J,K, 175, 175A,B,C	All				



Partial Model Eligibility
 1 Use Bracket P/N SA3-07
 2 Use Bracket P/N SA3-07
 3 Use Bracket P/N SA3-11
 4 Must use consolidated gascolator P/N 5221
 5 Systems with 3/8" fuel lines use SA3-00, systems with 1/2" fuel lines use SA3-10-C
Eligibility continued on next page

SA3-00 3 oz Bowl	SA3-10 4 oz Bowl	SA3-D Series Drainable Bowl	1/4 NPT (3/8 ID Fuel Line) Gascolators P/Ns	SA3-00 3 oz bowl	SA3-00-A 4 oz bowl	SA3-00-B 3 oz bowl with top mount cover	SA3-00-B-D 3 oz with top mount cover with remote drainable bowl, no bracket	SA3-00-B-S 3 oz bowl for Vulcan Air/Parthenavia aircraft only	SA3-00-C 4 oz bowl with top mount cover	SA3-00-D 4 oz remote drainable bowl	3/8 NPT (1/2 ID Fuel Line) Gascolators P/Ns	SA3-10 4 oz bowl	SA3-10-A 4 oz bowl with top mount cover	SA3-10-A-D 4 oz with top mount cover with remote drainable bowl, no bracket	SA3-10-B 3 oz bowl	SA3-10-C 3 oz bowl with top mount cover	SA3-10-D 4 oz remote drainable bowl	
Continued from previous page																		
Aircraft			S/N															
Cessna																		
177, 177A,177B			All 1															
180, 180A,B,C,D,E,F,G,H 1			30000 thru 18051496															
180H 1 , J, K			18051497 thru 18053203 3															
182, 182A,B,C,D,E,F,G,H 1			33000 thru 18256039															
182H 1 , J, K, L, M, N, P, Q			18256040 and On 1															
185, 185A,B,C,D 1			185-0001 thru 185-0843															
185D 1 , E, A185E,F			185-0844 and On 1															
210-5(205), 210-5A(205A), 206			All															
U206A,B,C,D,E,F,G, TU206A,B,C,D,E,F,G			All 1															
210, 210A,B,C,D,E, 310, 310A,B,C,D,F,G,H,I,J,K			All															
305A,B,C,D,E,F			All															
Champion/Aeronca																		
7AC,7ACA,7BCM,7CCM,7DC,7EC,7ECA,7FC,7KCAB,S7AC,S7CCM,S7DC,S7EC,8KCAB, 11AC,11BC,S11AC,S11BC			All															
11CC, S11CC			All															
7GCAA, 7GCBC,8GCBC			All															
Emigh (Edward Scott Kearns)																		
A-2			All															
Ercoupe (Univair)																		
A-2			All															
A2-A			All															
415-C, 415-CD, 415-D, F-1, F-1A			All															
415-E			All															
M10			All															
Extra Flugzeugbau GmbH EA																		
300,300/200,300/L,300/S			All															
300/LC			All															
Interstate Aircraft (STOL)																		
S-1A,S-1A-65F,S-1A-85FS-1A-90F			All															
Luscombe																		
8,8A,8B,8C,8D,8E,8F,T-8F			All															
Maule Bee Dee																		
M-4,4C,4S,4T, M-4-180C,180S,180T, M-4-210,210C,210S,210T,220C,220S, 220T, M-5-180C,210C,210TC,220C, 235C, M-6-180, 235, M-7-235, M-7-235-A,B,C, M-7-260,260C, MT-7-235,260, MX-7-160,160C,180,180AC,180B,180C, 235, MXT7-160,180,180A, M-8-235,			All 1															
M-5-200			All															
Mooney																		
M10			All															
M-18C,18C55,18L,18LA, M20, M20A,B,C,D,E,F,G,J,K,L,M,R,S,TN 4			All															
Navion																		
(Sierra Hotel Aero), (Army L-17A), A,B,D,E,F,G,H			All															
Partenavia																		
P.68, 68B,68C,68C-TC			All															
Piper																		
AE-1, HE-1, JC3-40,50,50S,65,65S, J3F-50,50S,60,60S,65,65S, J3L, J3L-65,65S, J3L-S, J4, J4A,A-S, J4E, J5A, J5A-80, J5B, J5C			All															
PA-11, PA-11S, PA12, PA12S, PA-14, PA-15, PA-16, PA-16S, PA-17			All															
PA-18,PA-18A,PA-18S,PA-18 "105" (Special), PA-18S "105",PA-18 "125", PA-18AS "125",PA-18S "125",PA-18 "135",PA-18A"135", PA-18AS "135", PA-18S "135",PA-18 "150",PA-18A "150",PA-18AS "150",PA-18S "150", PA-19 (Army L-18C), PA-19S			All															
PA-20, PA-20 "115", PA-20 "135", PA-20S			All															
PA-20S "115", PA-20S "135", PA-22, PA-22-108,135,150, 160, PA-22S-135,150,160			All															
PA-23, PA-23-160, 235,250, -E23-250			All															
PA-24			24-1 thru 24-2298															
PA-25			All															
PA-25-235, PA-25-260			25-7405573 thru 25-8156024															
PA-28-140,150,151,160,S-160,161,180,R-180,S-180,181,R-200,RT201, RT201T, 236			All															
PA-28-235			All															
PA-28-201T, PA-28R-201, PA-28R-201T, PA-38-112			All															
Robinson																		
R22, R44, R44II			All															
Rockwell (Commander Aircraft)																		
112			3 thru 220															
Stinson																		
108, 108-1			All															
108-2, 108-3			All															
Swift																		
GC-1A,1B			All															
Taylorcraft																		
BC, BC12-65, BC12-D, BC12-D1,BC12-D85, BC-65, BCS, BCS12-D, BCS12-D1, BCS12D-85, BCS12D-4-85, BCS12-65, BCS-65, DCI-65			All															
DC-65, DF-65, DL-65, DCO-65, F19, F21			All															

Fuel System Parts

1 Partial Model Eligibility
2 Use Bracket P/N SA3-07
3 Use Bracket P/N SA3-11
4 Must use consolidated gascolator P/N 5221
5 Systems with 3/8" fuel lines use SA3-00. Systems with 1/2" fuel lines use SA3-10-C.

Improved Fuel Strainer Seal Kits for Piper Aircraft

Better seal at half the price!

Each kit includes both the upper and lower seal for one fuel strainer. Parts also available individually.

PA-23 and PA-44 Series: Kit P/N FSP-KT-1

Replace leaky copper crush seals with high performance Stat-O-Seals

- McFarlane has FAA-PMA approval to replace the high priced P/N 753-205 copper crush gaskets on the Aztec, Apaches and Seminoles with stainless steel/fluorocarbon Stat-O-Seals.
- The old copper crush gaskets were unreliable and poorly suited for sealing against the small lip on the bottom of the fuel bowl. They often required several attempts to get a satisfactory seal (expensive at \$12 per seal).
- With McFarlane's improved Viton Stat-O-Seal design **a positive seal is easy to achieve!**
- Kit also includes P/N MC751-882 upper gasket.

Graphics not to scale



PA-31, PA-34, PA-36, and PA-46 Series: Kit P/N FSP-KT-2

Fuel Proof O-Rings and Stat-O-Seals

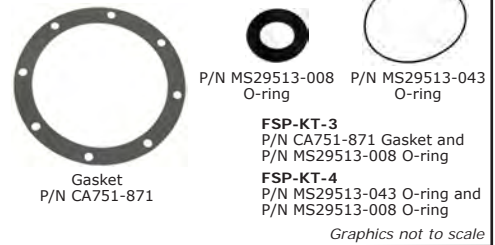
- Improved FAA-PMA O-rings and Stat-O-Seals
- Feature fuel proof fluorocarbon that won't swell or degrade like the original Buna N seals.



PA-24, PA-28-235, PA-30, PA-32, and PA-39 Series: Kit P/Ns FSP-KT-3 and FSP-KT-4

Fuel Bowl Gasket and O-Rings

- FSP-KT-3 replaces P/N 751-871 upper gasket and MS29513-008 (supersedes Piper P/Ns 755-919, 485-331, and 485-332) lower seal O-ring used on most of these aircraft.
- However, some PA-28-235 and PA-32 series aircraft use a newer style fuel strainer that use a MS29513-043 (supersedes Piper P/Ns 762-503 and 483-330) O-ring for an upper seal instead of the 751-871 gasket. These aircraft must use P/N FSP-KT-4.
- Kits contain FAA-PMA gaskets and standard O-rings.
- These kits include the correct O-rings per Piper Service Bulletin 1198A.

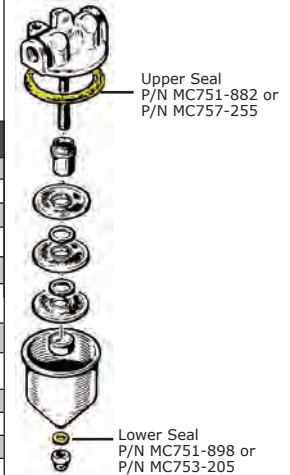


PA-28 Series (except PA-28-235): P/N CA462-049

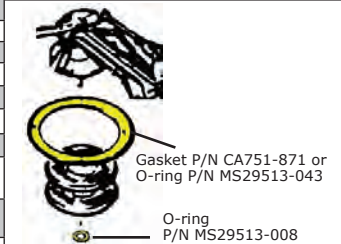
Fuel Strainer/Gascolator Gasket

- FAA-PMA approved direct replacement for Piper P/N 462-049.
- P/N CA462-049 not recommended to be used with autogas.

Fuel Strainer/
Gascolator Gasket
P/N CA462-049



Aircraft Model	Serial Number	Gasket/O-ring Upper Seal P/N	Gasket/O-ring Lower Seal P/N	Kit P/N
PA-23-235, 250	All	MC751-882	MC753-205	FSP-KT-1
PA-E23-250	All	MC751-882	MC753-205	FSP-KT-1
PA-24-400	All	CA751-871	MS29513-008	FSP-KT-3
PA-28-140, 150, 160, 180	All	CA462-049	N/A	N/A
PA-28-151, 161	All	CA462-049	N/A	N/A
PA-28-181	28-7690001 thru 28-7990626 and 28-8090001 thru 28-8690062	CA462-049	N/A	N/A
PA-28-201T	All	CA462-049	N/A	N/A
PA-28-235	All	CA751-871 (gasket) or MS29513-043 (O-ring)	MS29513-008	FSP-KT-3 (gasket) FSP-KT-4 (O-ring)
PA-28-236	All	CA462-049	N/A	N/A
PA-28R-180	All	CA462-049	N/A	N/A
PA-28R-200	All	CA462-049	N/A	N/A
PA-28R-201, 201T	All	CA462-049	N/A	N/A
PA-28RT-201, 201T	All	CA462-049	N/A	N/A
PA-30	All	CA751-871	MS29513-008	FSP-KT-3
PA-31	All	MC757-255	MC751-898	FSP-KT-2
PA-31-300	All	MC757-255	MC751-898	FSP-KT-2
PA-31-325	All	MC757-255	MC751-898	FSP-KT-2
PA-31-350, 350 (T1020)	All	MC757-255	MC751-898	FSP-KT-2
PA-31P, 350	All	MC757-255	MC751-898	FSP-KT-2
PA-32-260	All	CA751-871 (gasket) or MS29513-043 (O-ring)	MS29513-008	FSP-KT-3 (gasket) FSP-KT-4 (O-ring)
PA-32-300	All	CA751-871 (gasket) or MS29513-043 (O-ring)	MS29513-008	FSP-KT-3 (gasket) FSP-KT-4 (O-ring)
PA-34-200T, 220T	All	MC757-255	MC751-898	FSP-KT-2
PA-36-285, 300, 375	All	MC757-255	MC751-898	FSP-KT-2
PA-38-112	All	CA462-049	N/A	N/A
PA-39	All	CA751-871	MS29513-008	FSP-KT-3
PA-44-180, 180T	All	MC751-882	MC753-205	FSP-KT-1
PA-46-310P, 350P	All when equipped with filter assembly 561-046 or 599-180 (Air Maze)	MC757-255	MC751-898	FSP-KT-2
PA-46R-350T	All when equipped with filter assembly 561-046 or 599-180 (Air Maze)	MC757-255	MC751-898	FSP-KT-2



Notes:
Any P/N with the MC prefix is manufactured by McFarlane Aviation.
Any P/N with the CA prefix is manufactured by PMA Products.

Fuel and Oil Quick Drain Valves

Save! Large Selection, Low Price

- Simple operation - spring load close
- FAA-PMA, FAA-TSO-C76 or MIL-SPEC approved
- A clean no mess way to test and drain fuel or oil



SAF-AIR Aviation Products

SAF-AIR has produced high quality close-tolerance valves since 1959.

They are unique because their valves have replaceable O-rings.

- Unique O-ring placement prevents leaks by eliminating an area where dirt can gather
- O-rings can be replaced instead of buying a new valve
- Seal kits available

Curtis Superior Valve Co. Inc.

Curtis has produced, engineered, manufactured, and tested aircraft valves to exacting standards since 1944. They have over forty standard valves to solve a wide range of problems

- Corrosion resistant, stainless steel springs
- Specially compounded "cure dated" synthetic rubber seals to withstand a wide variety of liquids over a broad temperature range
- Unique wedge seal design prevents leakage



Fuel Drain Valve Selection Table

Thread: "UNF" (Fine thread) type are straight, non-sealing threads that rely on an O-ring to provide a seal. "NPT" (Pipe Thread) type are tapered threads that seal as they are tightened. Measure the O.D. of the thread on the valve you are replacing and compare to the thread specifications table on page 132 to determine the correct thread size.

Locking: Indicated valves lock in the open position for easy draining.

Flush mounted: Indicated valves are designed to mount flush with aircraft skin.

Use Pin Type Cup: Pin type cups similar to P/N CCA-39680 or MCCA-39680 may be used with indicated valves for sampling fuel.

Open Action: "Spiral" valves require a push and turn action to open, "Push" valves require a push action to open.

Hose Adapter Size: A hose may be attached to the indicated valves for ease of draining fuel. The size indicated is the hose I.D.

Thread	Locking	Flush Mounted	Use Pin Type Cup	Open Action	Hose Adapter Size	Material	Approval Type and Conformity Notes	OEM	Part Number and Notes	See Fig - pg 131	Alternate P/Ns
	•			Push	1/2"	360 Brass	FAA-TSO-C76	SAF-AIR	C500	22	CCA-3400
	•			Spiral	1/2"	Brass, Unplated	FAA-TSO-C76	Curtis	CCA-3400	59	C500
1/8 NPT						360 Brass	FAA-TSO-C76	SAF-AIR	B187	21	
1/8 NPT				Push	1/4"	360 Brass	FAA-PMA	SAF-AIR	CAV-110H-4	24	BJ1000AH1
1/8 NPT				Spiral		Brass, Cad Plate	FAA-TSO-C76	Curtis	CCA-36150	61	BJ1000AS1MY, CAV-110
1/8 NPT			•	Push		360 Brass	FAA-PMA	SAF-AIR	CAV-110	23	BJ1000AS1MY, CCA-1250, CCA-1550, CCA-36150, CCA-7450, CCB-36700
1/8 NPT			•	Push		Brass, Cad Plate	FAA-TSO-C76	Curtis	CCB-36700	90	BJ1000AS1MY, CAV-110
1/8 NPT			•	Push		Brass, Unplated	FAA-TSO-C76	Curtis	CCA-1800	44	CAV-110, BJ1000AS1MY
1/8 NPT			•	Push		303 SS	Experimental	SAF-AIR	110SS	2	
1/8 NPT			•	Push	1/4"	303 SS	Experimental	SAF-AIR	110HSS	1	
1/8 NPT		•	•	Push		360 Brass	FAA-TSO-C76	SAF-AIR	SA18	113	491-806, CCA-2500, F391-18, S2106-3
1/8 NPT		•	•	Push		360 Brass	FAA-TSO-C76	SAF-AIR	SA187	114	491-806, CCA-250, F391-187, S2106-3
1/8 NPT		•	•	Push		Brass, Unplated	FAA-TSO-C76	Curtis	CCA-2500	53	491-806, F391-187B, F391-88, S2106-3, SA-18, SA-187
1/8 NPT	•			Push		Brass, Unplated	FAA-TSO-C76	Curtis	CCA-1550	40	1250, 492-100, 492-022, BJ1000AS1MY, BJ1000A-1, CAV-110
1/8 NPT	•		•	Push		360 Brass	FAA-TSO-C76	SAF-AIR	1250	9	BJ1000A-1, CCA-1250, CCA-1550, CCA-7450
1/8 NPT	•			Push	1/4"	360 Brass	FAA-TSO-C76	SAF-AIR	1250H	10	BJ1000AH1
1/8 NPT	•			Spiral		Anodized/Aluminum	Experimental	Curtis	CCA-1100	33	
1/8 NPT	•			Spiral		Anodized/Aluminum	FAA-TSO-C76	Curtis	CCA-1150	34	
1/8 NPT	•			Spiral		Brass, Cad Plate	FAA-TSO-C76	Curtis	CCA-4850	70	1250, 492-100, 492-022, BJ1000A-1
1/8 NPT	•			Spiral		Brass, Cad Plate	FAA-TSO-C76	Curtis	CCA-7450	78	BJ1000AS1MY, CAV-110, CCA-1250
1/8 NPT	•			Spiral		Brass, Cad Plate	FAA-TSO-C76	Curtis	CCA-9950	84	
1/8 NPT	•			Spiral		Brass, Unplated	FAA-TSO-C76	Curtis	CCA-1250	36	1250, 492-100, 492-022, BJ1000A-1, BJ1000AS1MY, CAV-110
1/8 NPT	•			Spiral		Stainless Steel	FAA-TSO-C76	Curtis	CCB-36750	91	1250, 492-100, 492-022, BJ1000A-1, BJ1000A-2
1/4 NPT				Push	1/4"	360 Brass	FAA-PMA	SAF-AIR	CAV-160H-4	26	BJ1000AH2
1/4 NPT			•	Push		303 SS	Experimental	SAF-AIR	160SS	4	
1/4 NPT			•	Push	1/4"	303 SS	Experimental	SAF-AIR	160HSS	3	
1/4 NPT			•	Push		360 Brass	FAA-PMA	SAF-AIR	CAV-160	25	BJ1000AS1MX, CCA-1300, CCA-1600, CCA-4900
1/4 NPT			•	Push		Brass, Unplated	FAA-TSO-C76	Curtis	CCA-1900	45	CAV-160, BJ1000AS1MX
1/4 NPT			•	Push		304 Stainless	FAA-TSO-C76	SAF-AIR	SA-60S	119	
1/4 NPT		•	•	Push		360 Brass	FAA-TSO-C76	SAF-AIR	SA14	112	CCA-2600, F391-14
1/4 NPT		•	•	Push		Brass, Unplated	FAA-TSO-C76	Curtis	CCA-2600	54	F391-14, SA-14
1/4 NPT	•		•	Push		360 Brass	FAA-TSO-C76	SAF-AIR	2500	11	BJ1000A-2, CCA-1300, CCA-1600, CCA-4900
1/4 NPT	•			Push	1/4"	360 Brass	FAA-TSO-C76	SAF-AIR	2500H	12	BJ1000AH2
1/4 NPT	•			Push		Brass, Cad Plate	FAA-TSO-C76	Curtis	CCA-3600	60	
1/4 NPT	•			Push		Brass, Cad Plate	FAA-TSO-C76	Curtis	CCA-4800	69	
1/4 NPT	•			Push		Brass, Unplated	FAA-TSO-C76	Curtis	CCA-1600	41	2500, BJ1000A-2
1/4 NPT	•			Spiral		Brass, Cad Plate	FAA-TSO-C76	Curtis	CCA-4900	71	2500, BJ1000A-2
1/4 NPT	•			Spiral		Brass, Unplated	FAA-TSO-C76	Curtis	CCA-1300	37	2500, BJ1000A-2
1/4 NPT	•			Spiral		Stainless Steel	FAA-TSO-C76	Curtis	CCA-39000	63	
3/8 NPT	•			Push		Brass, Unplated	FAA-TSO-C76	Curtis	CCA-1650	42	BJ1000A-3, P3750
3/8 NPT	•			Push		Anodized/Aluminum	None	Curtis	CCA-7000	77	
3/8 NPT	•		•	Push		360 Brass	FAA-TSO-C76	SAF-AIR	P3750	105	
3/8 NPT	•			Spiral		Brass, Cad Plate	FAA-TSO-C76	Curtis	CCA-4950	72	BJ1000A-3, P3750
3/8 NPT	•			Spiral		Brass, Unplated	FAA-TSO-C76	Curtis	CCA-1350	38	
3/8-24 UNF			•	Push		303 SS	Experimental	SAF-AIR	180SS	8	
3/8-24 UNF			•	Push	1/4"	303 SS	Experimental	SAF-AIR	180HSS	7	
3/8-24 UNF			•	Push		360 Brass	FAA-PMA	SAF-AIR	CAV-180	29	1100B52Z
3/8-24 UNF				Push	1/4"	360 Brass	FAA-PMA	SAF-AIR	CAV-180H-4	30	

Continued on the next page

FAA-PMA Approved

Fuel Drain Valve Selection Table (continued from previous page)

Table with columns: Thread, Locking Type, Flush Mounted Type, Use Pin Type Cup, Open Action, Hose Adapter Size, Material, Approval Type and Conformity Notes, OEM, P/N and Notes, See Fig-pg 131, Alternate P/Ns

Fuel System Parts

Part Notes:

- 1 Replacement O-rings: see tables to the right
2 Stem can be cut to length per the application
3 Used on bladder style wing tanks
4 Hose attaches to the valve with a 7/16-20 flare fitting
5 Can be used in highly corrosive applications such as salt water.
6 One arm stem with turn-to-lock action
7 Lock wire drilled
8 Button-style push action
9 With stem for turning action
10 With screwdriver slot
11 With screen over screwdriver slot and mounting hardware
12 With mounting hardware (washer & two nuts installed)
13 Meets lightning safety requirement Mil-C-38373, Paragraph 4.6.14
14 P/N SA18 has a hex size of 5/8". P/N SA187 has a hex size of 1/2".
15 Valve inlet is below the threads and O-ring seals against hex face. See figure 117 on page 131.

Conformity Notes:

- 1 Conforms to USAF Spec 28208
2 Conforms to USAF Spec 49F9798-49
3 Conforms to USAF Spec 28208 and 49F9798-49
4 Conforms to USAF Spec 28208 and 49F9798-50
5 Conforms to USAF Spec 28208 and 49F9798-51
6 Conforms to USAF Spec 28208, 49F9798-53 and MIL-V-25023
7 Conforms to USAF Spec 28208, 49F9798-52, MIL-V-25023 and MS29528-4
8 Conforms to USAF Spec 28208, 49F9798-53, MIL-V-25023 and MS29528-6
9 Conforms to USAF Spec 28208 and MIL-V-25023
10 Conforms to USAF Spec 28208, MIL-V-25023 and MS29571
11 Conforms to USAF Spec 49F9798-53 and MIL-V-25023
12 For non-certified aircraft only

Curtis Fuel Sampling Cup with McFarlane Logo P/N MCCA-39680

- Stainless steel pin, and fuel resistant crystal clear plastic
Convenient no-mess method of draining fuel to inspect for proper grade and contaminants
Works with any quick drain valve designed for a pin type cup. Pin diameter is 1/8"



Replacement Seals SAF-AIR Seal Kits

- Add "K" or "K" to the valve P/N to get the P/N for the applicable seal kit
Seal kits only applicable for SAF-AIR valves with note 1 above.
All O-rings are made of Viton.



Table with columns: Curtis Field Replaceable O-rings, Fuel Valve P/N, P/N MS29513-007 Stem Seal O-Ring, P/N MS29513-011 Mounting O-Ring, P/N MS29513-012 Mounting O-Ring

PMA Products Seals for Curtis Valves



Table with columns: Seal P/N, Valve P/N, Aircraft, Serial Number

Use with autogas not recommended.

Manufactured by PMA Products Inc.

Table with columns: Part Number, ID, OD, Thickness

Dimensions are in inches

Flush Valve Fuel Plate

Supports applications where added stability is needed to mount a flush mount valve directly into a wet wing or fuel tank.

- 2 3/4" Overall Diameter, 1 1/2" from mounting surface to bottom hole diameter
CCB-36450-5 flush mounted fuel drain valve is included.



Table with columns: P/N, Description

Manufactured by Curtis Superior Valve Co.

Figures 1-107 Photos are not to scale relative to each other

1 110HSS 1/8 NPT	2 110SS 1/8 NPT	3 160HSS 1/4 NPT	4 160SS 1/4 NPT	5 170HSS 7/16-20 UNF	6 170SS 7/16-20 UNF	7 180HSS 3/8-24 UNF	8 180SS 3/8-24 UNF	9 1250 1/8 NPT	10 1250H 1/8 NPT	11 2500 1/4 NPT	12 2500H 1/4 NPT	13 3750 3/8-24 UNF	14 3750H 3/8-24 UNF	15 4350-6L 3/8-24 UNF
16 4375 7/16-20 UNF	17 4375H 7/16-20 UNF	18 A5020 1/2-20 UNF	19 A5625 9/16-18 UNF	20 A62-INV 5/8-18 UNF	21 B187	22 C500	23 CAV-110 1/8 NPT	24 CAV-110H-4 1/8 NPT	25 CAV-160 1/4 NPT	26 CAV-160H-4 1/4 NPT	27 CAV-170 7/16-20 UNF	28 CAV-170H-4 7/16-20 UNF	29 CAV-180 3/8-24 UNF	30 CAV-180H-4 3/8-24 UNF
31 CAV-2165 M16x1.6	32 CAV-M165H5 M16x1.6	33 CCA-1100 1/8 NPT	34 CCA-1150 1/8 NPT	35 CCA-1200 3/4-16 UNF	36 CCA-1250 1/8 NPT	37 CCA-1300 1/4 NPT	38 CCA-1350 3/8 NPT	39 CCA-1400 1/2 NPT	40 CCA-1550 1/8 NPT	41 CCA-1600 1/4 NPT	42 CCA-1650 3/8 NPT	43 CCA-1700 1/2 NPT	44 CCA-1800 1/8 NPT	45 CCA-1900 1/4 NPT
46 CCA-2000 3/8-24 UNF	47 CCA-2100 7/16-20 UNF	48 CCA-2440 14MM 1.50	49 CCA-2450 12MM 1.75	50 CCA-2460 1/2-20 UNF	51 CCA-2475 12MM 1.75	52 CCA-2485 1/2-20 UNF	53 CCA-2500 1/8 NPT	54 CCA-2600 1/4 NPT	55 CCA-2700 3/8-24 UNF	56 CCA-2800 7/16-20 UNF	57 CCA-2900 1/2-20 UNF	58 CCA-31300 9/16-18 UNF	59 CCA-3400	60 CCA-3600 1/4 NPT
61 CCA-36150 1/8 NPT	62 CCA-36400 9/16-18 UNF	63 CCA-39000 1/4 NPT	64 CCA-39500 9/16-18 UNF	65 CCA-39550 5/8-18 UNF	66 CCA-39560 5/8-18 UNF	67 CCA-4300 7/16-20 UNF	68 CCA-4350 9/16-18 UNF	69 CCA-4800 1/4 NPT	70 CCA-4850 1/8 NPT	71 CCA-4900 1/4 NPT	72 CCA-4950 3/8 NPT	73 CCA-5400 7/16-20 UNF	74 CCA-5800-1 7/16-20 UNF	75 CCA-5800-3 7/16-20 UNF
76 CCB-32000 5/8-18 UNF	77 CCA-7000 3/8 NPT	78 CCA-7450 1/8 NPT	79 CCA-7500 3/4-16 UNF	80 CCA-7500-1 3/4-16 UNF	81 CCA-7500-2 3/4-16 UNF	82 CCA-7500-5 3/4-16 UNF	83 CCA-7600 3/4-16 UNF	84 CCA-9950 1/8 NPT	85 CCB-33000 5/8-18 UNF	86 CCB-36000H 1/2-14 NPT	87 CCB-36350-1 3/4-16 UNF	88 CCB-36450 3/4-16 UNF	89 CCB-36450-5 3/4-16 UNF	90 CCB-36700 1/8 NPT
91 CCB-36750 1/8 NPT	92 CCB-37000 3/8 NPT	93 CCB-37500 3/4-16 UNF	94 CCB-38000 1/2 NPT	95 CCB-4320 7/16-20 UNF	96 F10 1"-18 UNF	97 F167 3/4-16 UNF	98 F175 3/4-14 NPT	99 F50 1/2-14 NPT	100 F62 5/8-18 UNF	101 F75 3/4-16 UNF	102 M12175 12MM 1.75	103 M14150 14MM 1.50	104 M20150 20MM 1.50	105 P3750 3/8 NPT
106 P5000 1/2-14 NPT	107 P7500 3/4-14 NPT	108 S1000 1"-18 UNF	109 S5020J 1/2-20 UNF	110 S6250 5/8-18 UNF	111 S7516 3/4-16 UNF	112 SA14 1/4 NPT	113 SA18 1/8 NPT	114 SA187 1/8 NPT	115 SA32 3/8-24 UNF	116 SA5020 1/2-20 UNF	117 SA53S 7/16-20 UNF	118 SA5817-4C 3/4-16 UNF	119 SA-60S 1/4 NPT	120 SA72 7/16-20 UNF
121 SA82 1/2-20 UNF	122 CCB-5000 1/2-14 NPT	123 CCB-6250 5/8-15 UNF												

Fuel System Parts

FAA-PMA Approved

Fuel System Parts

Locking Oil Drain Valves

Feature a detent to lock in the open position.
Oil Drain Valves Selection Guide

Thread: "UNF" (Fine thread) type are straight, non-sealing threads that rely on an O-ring to provide a seal. "NPT" (Pipe Thread) type are tapered threads that seal as they are tightened. Others are metric threads. Measure the O.D. of the thread on the valve you are replacing and compare to the thread specification table in maintenance tips to determine the correct thread size.

Open Action: Spiral valves require a push and turn action to open.

Hose Adapter: A hose adapter may be attached to the indicated valves for ease of draining. The size indicates the hose I.D.

P/N S6250



Thread	Open Action	Hose Adapter Size	Material	Approval	OEM	Part Number	See Figure on pg 131
1/2-14 NPT	Push	3/8"	Aluminum, Anodized	FAA-PMA	Curtis	CCB-5000 <i>New!</i>	122
1/2-14 NPT	Push	3/8"	2011 Aluminum, 302 Stainless	FAA-PMA	SAF-AIR	P5000 8	106
1/2-14 NPT	Push		Aluminum	FAA-PMA	Curtis	CCB-38000 8	94
1/2-14 NPT	Spiral	3/8"	360 Brass, 302 Stainless	FAA-PMA	SAF-AIR	F50 3 5	99
1/2-14 NPT	Push		Aluminum	None	Curtis	CCB-36000H <i>New!</i>	86
1/2-20 UNF		3/8"		None	SAF-AIR	A5020 8	18
1/2-20 UNF	Push	3/8"	2011 Aluminum, 302 Stainless	FAA-PMA	SAF-AIR	S5020J 8	109
1/2-20 UNF	Spiral	3/8"	Brass, Unplated	None	Curtis	CCA-2460	50
1/2-20 UNF	Spiral	3/8"	Brass, Unplated	None	Curtis	CCA-2485 2	52
3/4-14 NPT	Push	3/8"	2011 Aluminum, 302 Stainless	FAA-PMA	SAF-AIR	P7500 8	107
3/4-14 NPT	Spiral	3/8"	360 Brass, 302 Stainless	FAA-PMA	SAF-AIR	F175 8	98
3/4-16 UNF	Push	3/8"	2011 Aluminum, 302 Stainless	FAA-PMA	SAF-AIR	S7516 8	111
3/4-16 UNF	Spiral	3/8"	360 Brass, 302 Stainless	FAA-PMA	SAF-AIR	F167 8	97
5/8-18 UNF	Push	3/8"	Aluminum, Anodized	FAA-PMA	Curtis	CCB-6250 <i>New!</i>	123
5/8-18 UNF	Push	3/8"	2011 Aluminum, 302 Stainless	FAA-PMA	SAF-AIR	S6250 8	110
5/8-18 UNF		3/8"	2011 Aluminum, 302 Stainless	None	SAF-AIR	A62-INV 4	20
5/8-18 UNF	Spiral	3/8"	360 Brass, 302 Stainless	FAA-PMA	SAF-AIR	F62 3 5	100
5/8-18 UNF		3/8"	Aluminum	None	Curtis	CCB-32000 <i>New!</i>	76
5/8-18 UNF	Push	3/8"	Aluminum	None	Curtis	CCB-33000 <i>New!</i>	85
1"-18 UNF	Push	3/8"	2011 Aluminum, 302 Stainless	FAA-PMA	SAF-AIR	S1000 8	108
1"-18 UNF	Spiral	3/8"	360 Brass, 302 Stainless	FAA-PMA	SAF-AIR	F10 3 5	96
12MM 1.75	Push	3/8"	2011 Aluminum, 302 Stainless	FAA-PMA	SAF-AIR	M12175 8	102
12MM 1.75	Spiral	3/8"	Brass, Unplated	None	Curtis	CCA-2450	49
12MM 1.75	Spiral	3/8"	Brass, Unplated	None	Curtis	CCA-2475 1	51
14MM 1.50	Spiral	3/8"	Brass, Unplated	None	Curtis	CCA-2440	48
20MM 1.50	Push	3/8"	2011 Aluminum, 302 Stainless	FAA-PMA	SAF-AIR	M20150 8	104
		3/8"	2011 Aluminum, 302 Stainless	7	SAF-AIR	M14150 8	103

- 1** Includes P/N CCA-2450 valve and P/N CCA-2470 adapter
- 2** Includes P/N CCA-2460 valve and P/N CCA-2480 adapter
- 3** Replacement o-ring kits available. Add "K" or "-K" to valve part number.
- 4** Used with AN6, AN8 and AN10 adapters to replace a cap. The valve and adapter are sold together.
- 5** Two piece, low profile valve. P/N F50-180 opener that attaches straight out of the valve is included. P/N F50-90 opener which attaches at a 90 angle is also available.
- 6** For non-certified aircraft only
- 7** For use on UL engines
- 8** Includes P/N CCB-38000 or CCB-32000 valve and P/N CCA-38001 activation tool.

Oil Drain Valve Adapters and Openers

Used with CCA-2450 and CCA-2460 oil drain valves to adapt to Rotax and Jabiru engines. Adapters are for non-certified aircraft only.



P/N CCA-2470
P/N CCA-2480



P/N CCA-2474



P/N F50-90



P/N F50-180

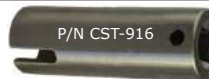


P/N RM12175

P/N	Thread	Material	Description
AN6-INV		2011 Aluminum	Christen inverted oil system
AN8-INV		2011 Aluminum	Christen inverted oil system
AN10-INV		2011 Aluminum	Christen inverted oil system
CCA-2470	12MM 1.75	Aluminum	Rotax 90-Degree adapter for CCA-2450 oil drain valve
CCA-2474	12MM 1.75	Aluminum	Rotax oil tank adapter for late models with CCA-2450 oil drain valve
CCA-2480	1/2-20 UNF	Aluminum	Jabiru 90-Degree adapter for CCA-2460 oil drain valve
F50-90			Opener - attaches at a 90 degree angle from valve.
F50-180			Opener - attaches straight out of the valve.
M1290B	1/2-20 UNF	2011 Aluminum	Banjo Bolt, Rotax for S5020J oil drain valve
M1490B	1/2-20 UNF	2011 Aluminum	Banjo Bolt, Volkswagen for S5020J oil drain valve
RM12175		2011 Aluminum	Rotax, Oil must be used on all new oil tanks being produced by Rotax as they changed the internal design on the tank requiring an adapter to use an oil drain valve.
S5090B	1/2-20 UNF	2011 Aluminum	Banjo Bolt, Jabiru for S5020J oil drain valve
S6290B	5/8-18 UNF	2011 Aluminum	Banjo Bolt, Continental for S6250 oil drain valve

Installation Sockets

Used to torque valves to desired specifications and also prevents valve damage upon installation and removal.



P/N CST-916

P/N	For use with valve P/N
CST-78	Fits all 7/8 Hex Valves CCA-1400, CCA-1700, CCB-37000, CCA-39550, CCA-39560
CST-716	Fits all 7/16 Hex Valves CCA-1250, CCA-1550, CCA-4850, CCA-7450, CCA-9950, CA-36150, CCB-36750
CST-916	Fits all 9/16 Hex Valves CCA-1300, CCA-1600, CCA-3600, CCA-4800, CCA-4900, CCA-39000
CST-1116	Fits all 11/16 Hex Valves CCA-1350, CCA-1650, CCA-2440, CCA-2450, CCA-2460, CCB-4320, CCA-4950, CCA-5400, CCA-5800-1
CST-36450	For removal of certain Curtis flush mounted valves CCB-36450, CCB-36450-5

Maintenance Tips:

Curtis Superior and SAF-AIR valves are designed for installation in a standard NPT port for NPT threaded valves or an AND-10050 style port for UNF threaded valves. Use a sealant on NPT threaded valves or a fuel resistant O-ring of the proper size for UNF threaded valves. Refer to aircraft manufacturer's torque specifications for the aircraft in which it is being used or to the torque specifications in the table below for Curtis valves.

Replace the rubber seals as per the aircraft manufacturer's recommendations or every ten years when no guidance is given. McFarlane stocks replacement seals and seal kits for both Curtis Superior and SAF-AIR. The new Curtis valves use a O-ring type seal instead of the flat seal that was previously used.

SAF-AIR valves are designed to be disassembled and the O-rings replaced. Over time, if the valve should start to leak, check to make sure the drain valve is tight. If drain valve is found to be tight, then check the O-rings. All O-rings used are buna "n", MS29513 Style, MIL-P-5315. SAF-AIR O-ring seal kits are available for most of their valves. Add a "K" or "-K" suffix to the valve part number.

Never have a hose attached in flight to the oil drain valve. Engine vibration and the additional attached mass can cause premature seal and valve wear which could result in valve failure and a loss of engine oil.

Thread Specifications		
Thread O.D.	Thread	Curtis Torque Spec
0.375	3/8-24 UNF	80-85 In. Lbs
0.405	1/8-27 NPT	40-45 In. Lbs
0.438	7/16-20 UNF	80-85 In. Lbs
0.500	1/2-20 UNF	80-85 In. Lbs
0.540	1/4-18 NPT	80-85 In. Lbs
0.563	9/16-18 UNF	80-85 In. Lbs
0.625	5/8-18 UNF	100-115 In. Lbs
0.675	3/8-18 NPT	105-115 In. Lbs
0.750	3/4-16 UNF	80-85 In. Lbs
0.840	1/2-14 NPT	155-165 In. Lbs
Special Threads with Crush Washers		
Valve P/N	Thread	Curtis Torque Spec
CCA-2450	12MM 1.75	60-75 In. Lbs
CCA-2460	1/2-20	60-70 In. Lbs
CCA-2470	12MM 1.75	60-70 In. Lbs
CCA-2480	12-50	60-70 In. Lbs

Quick Drain Hoses

Curtis Quick Drain Hoses are designed to work with the Curtis Quick Drain Valves. In most cases, a simple push and twist action locks the Quick Drain Hose in place. Waste liquid flows through five feet of high grade vinyl tubing, preventing messy spills and making a safer, cleaner environment. Tubing will not harden in sub-freezing temperatures.



P/N CCB-39600-5

P/N	Connector Color	Used with Valve P/N
CCB-39600-1	Black	CCA-1400, CCA-1700, CCA-39550
CCB-39600-2	Blue	CCA-1350, CCA-2450, CCA-1650, CCA-4950
CCB-39600-3	Yellow	CCA-1300, CCA-1600, CCA-3400, CCA-3600, CCA-4800, CCA-4900, CCA-39000
CCB-39600-4	Silver	CCA-4350, CCA-36400
CCB-39600-5	Brass	CCA-1250, CCA-1550, CCA-4300, CCA-7450, CCA-9950

Manufactured by Curtis Superior Drain Co., Inc.

TEMPESTTM excellence

Lowest Price on Tempest Products

Spark plugs, vacuum pumps, carburetors, oil filters, tools, and more!



Tempest Spark Plugs

The world's best aviation spark plugs!

- New tech precision design makes the difference
- Don't use Grandpa's antique spark plugs!

Oil Filters

Spin EZ lubricant for easy removal!

- Magnetic filtration added for micro metal capture
- Improved everywhere

The best filter at the best price



Tools

Work smarter not harder!

- Save time
- Make cleanup easy



Vacuum Pumps

New and overhauled!

- Temperature compensated
- Low friction and longer life



Carburetors

New, rebuilt, and overhauled!

To ensure high quality functionality, ALL carburetors are flow bench tested



TEMPESTTM excellence

Exceeding Excellence

Cowl Saver™

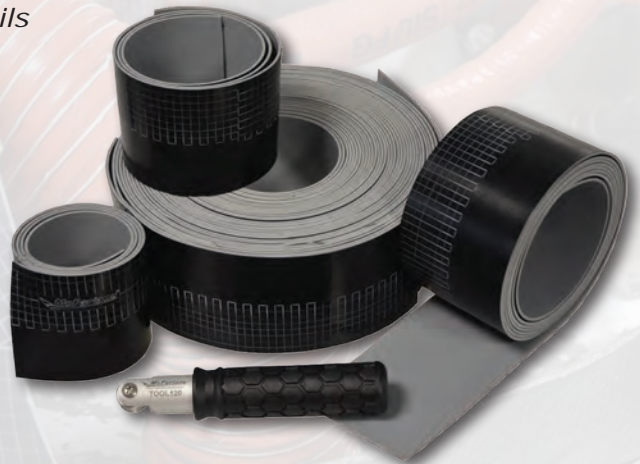
Baffle Seal Material with Bi-Flex™ Technology

You can actually **feel the difference** in the cockpit!

- 30x less friction
- Reduced airframe vibration
- Stop cowl and firewall cracks

36-month Money Back Guarantee!

See pages 74-75 for details



FREE SHIPPING!

SAFE-HEET™ Engine Heater

FAA-PMA approved for Continental, Lycoming, and Franklin engines

Avoid costly starter and engine abuse from cold weather!

- Over 30 years of proven quality!
- Free shipping
- Thermally conductive adhesive
- Permanent installation
- Puts the heat where it is needed

4-year Industry-leading Warranty!

See pages 72-73 for details

McFarlane®



Electricity in the Fuel Tank

Is it Safe?

By Dave McFarlane

Have you ever thought about those fuel quantity transmitters in your fuel tank? Just how much electricity go through them anyway? Is there any chance of a spark? Could they touch off an explosion? Could they be improved? How do they fail? These are some of the questions we had when we started to develop new FAA- PMA replacement fuel transmitters for the Cessna single engine airplanes. What we found out was quite shocking.

The first things we did were to review the aircraft electrical schematics for the fuel quantity system and dissect several fuel gages. A fuel indicating circuit was analyzed while it was working. Then we collected a lot of transmitters that were removed from service and a few new ones. Some of them still worked and some were obviously bad. After disassembly, the transmitter failure modes and defects were noted with the most common electrical defect being actual wear failure of the stainless-steel wire that is wound around a phenolic (laminated plastic) insulator board making up the variable resistor.

One particular defective transmitter caught our attention. The phenolic board was charred and discolored. This clearly indicating the stainless-steel resistor wires had been HOT! How did it get hot? There were no signs of external heat in the transmitter housing or flange that would indicate external heat or fire. Looking at and smelling this transmitter took me back twenty five years to when I ran a repair shop in Iowa. A customer brought in an almost new Cessna Agwagon that had an alternator run away due to a shorted field wire near the alternator. Before the pilot could shut down the master switch, the 28-volt system fried all the electrical components that were turned on at the time and the electrical instruments were brown and filled with smoke. I remember that the over-voltage had also damaged the fuel transmitters.

An over-voltage might explain our one hot transmitter, but Fred McClenahan, our design engineer, and I were not convinced that was the only possibility.

In the normal operating mode, there are only a few milliamps of current flowing through the fuel transmitter to ground. Buss (battery or alternator) voltage is put into the fuel quantity indicator where the fine wire instrument coils reduce the voltage going to the transmitter. The voltage and related amp flow is very small as it goes through the transmitter to the grounded fuel tank. The chance of a spark at the point of contact of the transmitter's resistor wiper arm on the stainless-steel wire is very remote.

"Our certification tests proved that it will take the vibration and other abuses of the aircraft environment."

The amp flow through the stainless steel resistive wire is so small it does not generate heat. But what happens when a malfunction occurs that would put full buss voltage directly to the transmitter? We were about to find out. Not having enough available amp power with our lab power supply, we took a good transmitter outside and lifted the hood on the company truck where we had the brute strength of a seven hundred amp Sears Die Hard®. We held the transmitter flange on the negative battery post and put a jumper wire from the positive post to the transmitter wire terminal. What I saw sent a cold chill down my spine. After a few seconds, the transmitter started to emit smoke and the stainless-steel resistor wire began to glow red hot!

Our certification tests proved that it will take the vibration and other abuses of the aircraft environment. Analyzing what this means,

we determined if you had a short in the transmitter wire as it goes up the aircraft door post and this wire was shorted to another buss voltage wire, let's say the navigation light wire, you would have the same situation as we had under the Ford hood. The only difference would be that the smoke and red hot wire would be in your gas tank just before dark and maybe at six thousand feet. Another possibility for this type of failure would be if the wire going to the fuel quantity indicator was to touch the wire leaving the fuel quantity indicator, shorting buss voltage to the normally low voltage transmitter wire. If a mechanic was to accidentally short the transmitter wire to buss voltage, he better yell "IGNITION" and clear the hangar because he just switched on the fuel tank glow plug!

Why haven't we seen a lot of single engine airplanes with fuel tank fires or blown off wings? I guess it says a lot for the wiring reliability designed into our light aircraft. Another factor might be that the fuel air mixture must be correct for a gasoline explosion. If the tank was near full there is very little oxygen in the tank.

Our next question was "what can we do to eliminate this risk?" The choices were to either keep the electricity out of the tank or find a resistor that would be safe at any voltage. Keeping the electricity out of the fuel tank would be very difficult without developing a totally different fuel quantity system with heavy modifications to the fuel

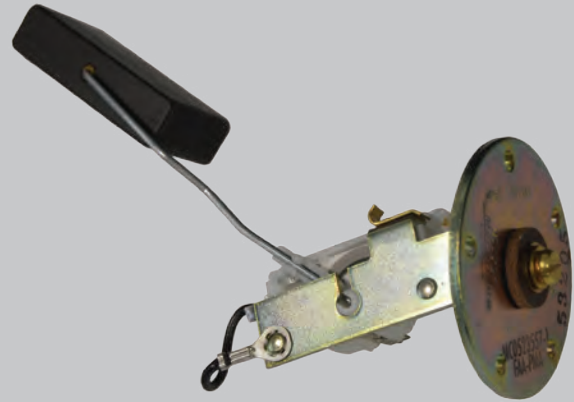
"What can we do to eliminate this risk?"

system itself.

Other styles of fuel tank senders were looked at and we finally discovered the new Stewart Warner® "Thick Film Ceramic" transducer technology. This resistor is built by coating a ceramic base with a hard semiconductor film. This film is then laser cut to the exact resistance needed. The beauty of this beast is that being a semiconductor it is "current limiting". In other words, applying more voltage has less effect on the number of amps that will flow through it. With limited amp flow, there is a corresponding limit to the heat that can be generated. The real test was to see how it reacted to the Sears Die-Hard®. When we duplicated our previous test at full voltage there was no heat generated at the higher resistance and about 350° F at the low resistance and the transmitter worked fine after the test.

One of the other advantages of this technology is the hard smooth and flat surface of the semiconductor. The follower arm does not have to jump over wires. Stewart Warner®'s tests show this resistor will out wear their wire wound type many times. The accuracy of the resistance inputs is improved by the laser precision and increased number of resistance divisions built into the resistor. Our certification tests proved that it will take the vibration and other abuses of the aircraft environment.

McFarlane Aviation Products has FAA-PMA transmitters for most single engine Cessna and Piper airplanes at substantial savings over the old wire wound replacements and we are developing them for other aircraft.



FAA-PMA Approved

Fuel System Parts

Fuel Quantity Transmitters for Cessna and Piper Aircraft

McFarlane fuel quantity transmitters are direct replacements for originally installed Stewart Warner type fuel quantity transmitters. Eliminates the need for expensive transmitter conversion kits that require replacement of fuel gauges and wiring. McFarlane fuel quantity transmitters are engineered to be compatible with the original fuel quantity gauge and wiring which uses time proven technology and reliability. Each McFarlane fuel quantity transmitter is manufactured using proprietary McFarlane "thick film ceramic" resistor technology. The benefits are longer life and increased accuracy. All components are thoroughly tested to ensure reliable operation.

- Save hundreds of dollars!
- More accurate and lasts longer!
- Proprietary McFarlane thick film resistor technology
- Direct replacement for original factory installed

Convenient Kits

Available individually or as kits including one transmitter, gasket(s) and screw/seal assemblies as applicable. (See charts below)

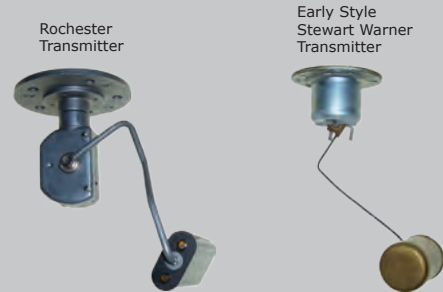


Installation Warning:

Do not replace the Rochester fuel quantity transmitter with the Stewart Warner transmitters. The electrical function is not compatible. Stewart Warner transmitters must be used to replace Stewart Warner transmitters only. Replacing the Rochester transmitter with the Stewart Warner transmitter will result in erroneous fuel quantity indications.

Some Cessna and Piper aircraft have been modified with a Service Kit to use the Rochester fuel quantity indicating system. This modification required changing the fuel quantity gage, transmitter, and other electrical components. Do not use the McFarlane (Stewart Warner) transmitters as a replacement for these aircraft.

McFarlane transmitters for Piper aircraft are not compatible with serial numbers other than those listed in the eligibility data.



Gaskets and Screw-Seal Assemblies for Cessna and Piper Aircraft

McFarlane fuel quantity transmitter gaskets are made from Dupont Viton®. Viton is the premier elastomer of the aerospace industry, offering flexibility and fuel resistance at all temperature extremes. Viton gaskets will not dry out or shrink like cork gaskets and do not harden with age like gaskets made from other elastomers. McFarlane gaskets are available for most single engine Cessna and Piper aircraft.

McFarlane screw-seal assemblies for Cessna aircraft have been engineered to eliminate chronic problems associated with fuel quantity transmitter hardware. Hex drive head screws made from stainless steel eliminate the corrosion process. The hex drive promotes ease of installation and eliminates the necessity for destructive down pressure during transmitter screw removal and installation. The stainless steel/Viton seal used on the hex drive screw provides a positive seal around the screw. No more leaks and seeps!

McFarlane screw-seal assemblies for Piper aircraft use the same time proven seals as our Cessna screw/seal assemblies but use a slotted screw with safety wire holes.



Fuel Transmitter Access Cover Gaskets for Cessna Aircraft

P/Ns MC0523619-1 and MC1422306-1

- Retains position and shape with an adhesive backing!
- Prevents rain and occasional fuel spill from entering the wing!
- Available separately or in fuel quantity transmitter kits
- Fits most Cessna aircraft with fuel transmitter access opening on the top of the wing



Fuel Quantity Transmitters for Piper and Maule Aircraft

Transmitters by Instrument Tech

Instrument Tech provides FAA-PMA approved fuel quantity transmitters for Piper and Maule aircraft. These are new direct replacements for the original and difficult to find Rochester and AC units. Designed for use with the original OEM fuel quantity gauge, Instrument Tech transmitters do not require any modifications to the fuel system.



Eligibility on page 138.

Gasket included!

Cessna Aircraft Eligibility for Transmitters, Gaskets and Screw-Seal Assemblies

Aircraft Model	Eligible Serial Numbers	Fuel Quantity Transmitter	Fuel Quantity Transmitter Gasket	Screw/Seal Assembly	Fuel Quantity Transmitter Kit
150 150A,B,C,D,E,F,G,H,I,J,K,L,M A150K,L,M F150F,G,H,J,L,M FA150K,L FRA150L,M	17001 thru 59018 15059019 thru 15079405 A1500001 thru A1500734 F1500001 thru F1500390 FA1500001 thru FA1500120 FRA1500121 thru FRA1500336	Standard Tanks MC0426517-1 ²	MCS1588-1 MC0523619-1 (access cover gasket)	MCS35010R10 Replaces Cessna P/Ns S350, AN960D10L and AN52010R8 when used to secure the fuel quantity transmitter. Quantity of 5 required per transmitter	FQT-KT-1 ⁹
150J ¹ F150J ¹	15069455 thru 15071128 F1500490 thru F1500529	Patrol Tanks N/A	MCS1588-1	MCS35010R14 Replaces Cessna P/Ns S350, AN960D10L and AN52010R14 when used to secure the fuel quantity transmitter. Quantity of 5 required per transmitter	N/A
152 A152 F152 FA152	15279406 thru 15286033 A1520735 thru A1521049 F15201429 thru F15201980 FA1520337 thru FA1520425	Standard Tanks N/A Extended Range Tanks N/A	MCS1588-1	MCS35010R10 Replaces Cessna P/Ns S350, AN960D10L and AN52010R10 when used to secure the fuel quantity transmitter. Quantity of 5 required per transmitter	N/A
172,172A, 172B,C,D,E,F,G,H,I,J,K,L,M,N,P ¹ F172D,E,F,G,H,K,L,M FR172E,F,G,H,J,K R172K FP172 P172D	36966 thru 47746 17247747 thru 17276516 F1720001 thru F17201234 FR17200001 thru FR17200675 R1722000 thru 1723454 FP1720001 thru FP1720003 P17257120 thru P17257188	MC0523557-1 See Notes ³ , ⁴ , ⁵	MCS1588-1 MC0523619-1 (access cover gasket)	MCS35010R10 Replaces Cessna P/Ns S350, AN960D10L and AN52010R10 when used to secure the fuel quantity transmitter. Quantity of 5 required per transmitter	FQT-KT-2 ⁹
175, 175A,B,C	55001 thru 17557119	MC0523557-1	MCS1588-1 MC0523619-1 (access cover gasket)	MCS35010R10 Replaces Cessna P/Ns S350, AN960D10L and AN52010R10 when used to secure the fuel quantity transmitter. Quantity of 5 required per transmitter	FQT-KT-2 ⁹
180A,B,C,D,E,F,G,H,J,K ¹	32662 thru 18053000	MC0726110-1 ⁵	MCS1588-1 ⁸ MCS1588-2 ⁸	MS35207-264 ⁷	FQT-KT-3 ⁹
182A,B,C,D,E,F,G,H,I,J,K,L,M,N,P,Q ¹ A182J,K,L,M,N F182P,Q ¹	33843 thru 18266590 A1820001 thru A1820148 F1820001 thru F18200094	MC0726110-1 ⁵	MCS1588-1 ⁸ MCS1588-2 ⁸	MS35207-264 ⁷	FQT-KT-3 ⁹
185,185A,B,C,D,E, A185E,F ¹	1850001 thru 18503683	MC0726110-1 ⁵	MCS1588-1 ⁸ MCS1588-2 ⁸	MS35207-264 ⁷	FQT-KT-3 ⁹
188A, A188, A188A A188B T188C	1880445 thru 18803856 18802349T thru 18803968T T18803297T thru T18803968T	MCC668002-0201 ⁶	MCS1588-1 ⁸ MCS1588-2 ⁸	MS35207-264 ⁷	FQT-KT-4 ⁹
210-5 (205), 210-5A (205A)	2050001 thru 2050577	MC0726110-1 ⁵	MCS1588-2 Qty 2	MS35207-264 ⁷	FQT-KT-5 ⁹
206,U206,U206A,B,C,D,E,F,G ¹ TU206A,B,C,D,E,F,G ¹ P206,P206A,B,C,D,E,F,G ¹ TP206A,B,C,D,E	2060001 thru U20604649	MC0726110-1 ⁵	MCS1588-1 ⁸ MCS1588-2 ⁸	MS35207-264 ⁷	FQT-KT-3 ⁹
206H, T206H, U206FG, TU206F, G			MCS2670-1 <i>New!</i>		
207,207A ¹ , T207,T207A ¹	20700001 thru 20700482	MC0726110-1 ⁵	MCS1588-1	MS35207-264 ⁷	FQT-KT-6 ⁹
207, 207A, T207, T207A	20700483 thru 20700788		MCS2670-1 <i>New!</i>		
208, 208B			MCS2670-1 <i>New!</i>		
210, 210A,B,C,D,E,F, T210F	21057001 thru 21058818	MC0726110-1 ⁵	MCS1588-1 ⁸ MCS1588-2 ⁸	MS35207-264 ⁷	FQT-KT-3 ⁹
210N,R, P210N,R, T210N,R	All		MCS2670-1 <i>New!</i>		
337, 377A,B,C,D,E,F,G,H F337E,F,G,H, FT337E,F, FT337GP,HP M337B, P337H, T337B,C,D,E,F,G,H T337H-SP	All		MC1422306-1 <i>New!</i> (access cover gasket)		

¹ Partial model eligibility
² This transmitter does not fit aircraft equipped with extended range fuel tanks.
³ Do not use this transmitter with gauge cluster P/N C669562-108 (Rochester® manufacture). This gage cluster could have been factory installed on aircraft built in 1978 or newer beginning with S/N 17269310.
⁴ Do not use this transmitter in aircraft with extended range fuel tanks with gage cluster P/N C669562-0109 (Rochester® manufacture). This gage cluster could have been factory installed on aircraft built in 1979 or newer beginning with S/N 17271035.
⁵ Includes aircraft with extended range fuel tanks.
⁶ 188 model series with wing fuel tanks only.
⁷ A seal is not used in this application. P/N MS35207-264 supercedes P/N AN52010R10. P/N MS35207-264 is an industry standard hardware component.
⁸ Where both MCS1588-1 (approximately 1/8" thick) and MCS1588-2 (approximately 1/16" thick) are required, install MCS1588-1 between the transmitter and rib and install MCS1588-2 between the fuel cell and rib.
⁹ Each kit contains one transmitter, one or two gaskets and five screws or screw/seal assemblies as applicable. The fuel transmitter access cover gasket P/N MC0523619-1 is included when purchasing kit P/N FQT-KT-1 and FQT-KT-2.

Note: 9812 Series Transmitters are manufactured by Instrument Tech.



Piper Aircraft Eligibility for Transmitters, Gaskets and Screw-Seal Assemblies

Fuel System Parts

Aircraft Model	Eligible Serial Numbers	Fuel Quantity Transmitter	Fuel Quantity Transmitter Gasket	Screw/Seal Assemblies	Fuel Quantity Transmitter Kit
PA-28		9812-0026-101 replaces PS10013-11, 548-671 and 7740-00309			
PA-28-140	28-20551 thru 28-26956, 28-7125001 thru 28-7125651 28-7225001 thru 28-7225612, 28-7325001 thru 28-7325684 28-7425001 thru 28-7425454, 28-7525001 thru 28-7525350 28-7625001 thru 28-7625234, 28-7725001 thru 28-7725290	MC68101-02 1	MC462-021	MC1802	FQTP-KT-1 2
PA-28-150, -160	28-1761 thru 28-4377	MC68101-02 1	MC462-021	MC1802	FQTP-KT-1 2
PA-28-151	28-7415001 thru 28-7415703, 28-7515001 thru 28-7515449 28-7615002 thru 28-7615435, 28-7715001 thru 28-7715314	MC68101-02 1	MC461-931	MC1802	FQTP-KT-2 2
PA-28-161	28-7716002 thru 28-7716323, 28-7816001 thru 28-7816680 28-7916001 thru 28-7916598, 28-8016001 thru 28-8016373 28-8116001 thru 28-8116268, 28-8216007, 28-8216014, 28-8216017, 28-8216019, 28-8216021	MC68101-02 1	MC461-931	MC1802	FQTP-KT-2 2
PA-28-180	28-1761 thru 28-5869, 28-7105001 thru 28-7105244 28-7205001 thru 28-7205328, 28-7305001 thru 28-7305611 28-7405001 thru 28-7405290, 28-7505001 thru 28-7505261	MC68101-02 1	MC462-021	MC1802	FQTP-KT-1 2
PA-28-181	28-7690001 thru 28-7690467, 28-7790001 thru 28-7790607 28-7890001 thru 28-7890551, 28-7990001 thru 28-7990589 28-8090001 thru 28-8090372, 28-8190001 thru 28-8190279 28-8290017, 28-8290018, 28-8290028, 28-8290033, 28-8290034, 28-8290036	MC68101-02 1	MC461-931	MC1802	FQTP-KT-2 2
PA-28R		9812-0026-101 replaces PS10013-11, 548-671 and 7740-00309			
PA-28R-180	28R-30005 thru 28R-30481, 28R-30483 thru 28R-31279 28R-7130001 thru 28R-7130019	MC68101-02 1	MC462-021	MC1802	FQTP-KT-1 2
PA-28R-200	28R-30482, 28R-35001 thru 28R-35830 28R-7135001 thru 28R-7135238, 28R-7235001 thru 28R-7235330 28R-7335001 thru 28R-7335455, 28R-7435001 thru 28R-7435331 28R-7535001 thru 28R-7535393, 28R-7635001 thru 28R-7635545	MC68101-02 1	MC462-021	MC1802	FQTP-KT-1 2
PA-200T		9812-0023-101 replaces PS10013-5, 550-503 and 7740-00040			
PA-28R-201		9812-0023-101 replaces PS10013-5, 550-503 and 7740-00040 9812-0024-101 replaces PS10013-6, 550-504 and 7740-00041			
PA-28R-201T		9812-0023-101 replaces PS10013-5, 550-503 and 7740-00040			
PA-28RT PA-28RT-201 PA-28RT-201T		9812-0024-101 replaces PS10013-6, 550-504 and 7740-00041			
PA-28-235	28-10003 thru 28-11393, 28-7110001 thru 28-7110042 28-7210001 thru 28-7210033, 28-7310001 thru 28-7310187 28-7410001 thru 28-7410120, 28-7510001 thru 28-7510145 28-7610001 thru 28-7610206, 28-7710001 thru 28-7710089	MC68101-02 1	MC462-021	MC1802	FQTP-KT-1 2
PA-31 PA-31-300 PA-31-325 PA-31-350 PA-31P	31-1 thru 31-861, 31-7300901 thru 31-8312019 31-5001 thru 31-5004, 31-7305005 thru 31-8553002 31P-1 thru 31P-80, 31P-7300110 thru 31P-7730012	9812-0001-101 replaces PS50149-2, PASC40648-2, 40648-2, 550-695 and 6427512 9812-0002-101 replaces PS50149-3, PAC40648-3, 40648-3, 550696 and 6727511 9812-0003-101 replaces PS50149-4, PAC40648-4, 40648-4, 550-697 and 6427514 9812-0004-101 replaces PS50149-5, PAC40648-5, 40648-5, 550-698 and 6427513			
PA-32-260	32-1 thru 32-1320 32-7100001 thru 32-7100038, 32-7200001 thru 32-7200055 32-7300001 thru 32-7300076, 32-7400001 thru 32-7400061 32-7500001 thru 32-7500053, 32-7600001 thru 32-7600033 32-7700001 thru 32-7700023, 32-7800001 thru 32-7800008	MC68101-02 1	MC462-021	MC1802	FQTP-KT-1 2
PA-32-300	32-40000 thru 32-41018, 32-7140001 thru 32-7140086, 32-7240001 thru 32-7240147 32-7340001 thru 32-7340201, 32-7440001 thru 32-7440182 32-7540001 thru 32-7540198, 32-7640001 thru 32-7640142 32-7740001 thru 32-7740113, 32-7840001 thru 32-7840222	MC68101-02 1	MC462-021	MC1802	FQTP-KT-1 2
PA-34		9812-0023-101 replaces PS10013-5, 550-503 and 7740-00040 9812-0024-101 replaces PS10013-6, 550-504 and 7740-00041			
PA-34-200		9812-0024-101 replaces PS10013-6, 550-504 and 7740-00041			
PA-34-200T		9812-0023-101 replaces PS10013-5, 550-503 and 7740-00040			
PA-34-220T		9812-0023-101 replaces PS10013-5, 550-503 and 7740-00040			
PA-44 PA-44-180		9812-0025-101 replaces PAC86688-002, 548-218 and 7740-00164			

- 1** Transmitter is not interchangeable with "Rochester type" fuel quantity transmitters. Transmitter is not to be used in aircraft equipped with Rochester manufactured fuel gauges that may have been installed as a Piper service spare part, in accordance with a Piper Service Kit.
- 2** Each kit contains (1) Transmitter, (1) Gasket and (5) Screw/Seal Assemblies

Eligibility for Maule Aircraft Transmitters

Aircraft Model	Fuel Quantity Transmitter P/N
Bee Dee Ms4, M-4, M-4C, M-4S, M-4T, M-4-180C M-4-180S, M-4-180T, M-4-2 IOS, M-4-210T, M-4-220, M-4-220C, M-4-220S, M-4-220T, M-5-180C, M-5-200 M-5-210C, M-5-210TC, M-5-220C, M-5-235C, M-6-180, M-6-235, M-7-235, MX-7-235, MX-7-180, MX-7-420, MXT-7-180, MT-7-235, M-8-235, MX-7-160 MXT-7-160, MX-7-180A, MXT-7-180A, MX-7-180B M-7-235B, M-7-235A, M-7-235C, MX-7-180C, M-7-260, MT-7-260, M-7-260C, M-7-420AC, MX-7-160C, M-7-180AC, M-7-420A, MT-7-420, M-4-1S?V, M-9-235	9812-0028-101 replaces 7740-00304

Marvel-Schebler Fuel Inlet Screen Gaskets and Cotter Keys

The copper gaskets should be changed when finger screens are inspected at each annual inspection.

- Fits many carbureted aircraft!
- Cad plated for corrosion resistance!
- Save up to 70%!



Continental Series	Engine Model	Lycoming Series	Marvel-Schebler/Facet Carburetor Models	P/N
A-65, A-75, C-85, C-90, O-200, C-125, C-145, O-300		O-235, O-290, O-320	MA-3, MA-3PA, MA-3A, MA-3SPA, MA-4SPA	MC16-A36
GO-300, O-470		O-340, O-360, O-435, O-540	MA-4-5, MA-5AA, MA-4-5AA, MA-5, MA-6, MA-6AA, A-6	MC16-A48
			MA-4-5, MA-4-5AA, MA-5, MA-6AA, HA-6	MC16-A108
			MA-4-5, MA-4-5AA, MA-5, MA-5AA, MA-6AA	MC82-1
A-65, A-75, C-85, C-90, O-200, C-125, C-145, O-300, GO-300, O-470		O-235, O-290, O-320, O-340, O-360, O-435, O-540	MA-3, MA-3A, MA-3PA, MA-3SPA, MA-4SPA, MA-4-4, MA-4-5AA, MA-5, MA-5AA, MA-6, MA-6AA	MC82-11
			MA-3A, MA-3PA, MA-3SPA, MA-4SPA, MA-4-5, MA-5, MA-5AA, MA-6, MA-6AA, HA-6	MC82-14

Fuel Caps for Piper Aircraft

Improved materials and better design

- Fuel caps with "CA" prefix have fuel resistant elastomer to resist swelling, and a stronger lever that resists bending
- P/N 3267- a vented cap with a vertical fin on top for easy removal and made of stainless steel to prevent corrosion



P/N	Cap	Replaces OEM P/N	Eligible Models
3267	Vented	10188-00, 454009	PA-11, PA-11S, PA-12, PA-12S, PA-14, PA-18, PA-20, PA-22 Series
CA16097N	Vented	160297-000	PA-23-235 and PA-23-250, s/n 27-1 thru 27-7554168
CA17672N	Vented	454-084, 17672-000	PA-23, PA-23-160
CA21821N	Vented	21821-000, 27221-000	PA-24-250, 260 S/N 24-2299 and On (aux. fuel system only). Shorter, easier to remove from the filler opening.
CA27221N	Non-vented	27221-00, 554-180	PA-24-180,-250,-260,-400, PA-30,PA-39

Manufactured by PMA Products, Inc. and F Atlee Dodge

Fuel Valve for PA-28 Series Aircraft

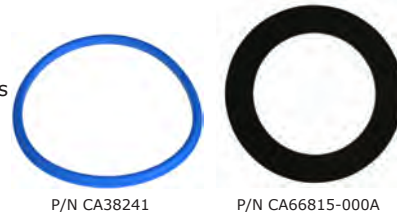
P/N 491-947



Fuel Cap Seals for Piper, Beech, Mooney, and Cessna Citations

Don't pay \$750.00 for a fuel cap when you only need to replace the seal!

- P/Ns CA38241 and CA457-98:
 - The only seals that legally replace the main seal on many Beech, Cessna and Mooney fuel caps
 - Made of a fluorosilicone material with unlimited shelf life
 - CA38241: Molded seal with a lip - designed for "lightning proof" fuel caps
 - CA457-98: Round O-ring seal
- P/N CA66815-000A: Round O-ring seal made of Viton to eliminate any swelling issues experienced when using AutoGas



Part Number	Replaces OEM P/N	Eligible Models
CA38241	Beech P/N 38241, 38283 used with P/N 38339, 100-381005-1 or 100-381005-5 fuel caps only	99, 99A, A99A, B99, C99, 100, A100, B100, 200, 200T, 200C, 200CT, B200, B200T, B200C, B200CT, B300, B300C, 1900, 1900C, 1900D
	Cessna Mooney seals used with P/N 457-370 fuel caps only	525 s/n 0549 and On, 650 s/n 0001 thru 0101 incorporating SB650-28-23, and 0102 and On, 680,750
CA457-98	Beech P/N 457-98, 457-98-1	M20C,D,E,F,G,J (with O&N Aircraft Mod. fuel bladders per STC SA2277CE and SA2350CE) E90, F90, 99, 99A, A99A, B99, C99, 100, A100, B100, 200, 200T, 200C, 200CT, B200, B200T, B200C, B200CT
CA66815-000A	Piper P/N 66815-000, 462-056 used with fuel cap assemblies P/N 66817-00, 39824-02, 38599-02 or 66817-02 only	PA-28-140, PA-28-150, -160, -180 s/n 28-1761 and on, PA-28-151, -161, PA-28-181, PA-28-201T, PA-28-235, PA-28-236, PA-28-180, PA-28-200 s/n 28R-30482, 28R-35001 thru 28F-7135238, PA-28-201, PA-28R-201, PA28R-201T, PA-28RT-201, PA32-260, PA-32-300 s/n 32-40000 thru 32-7840222 and 32-7940001 and on, PA-32R-300, PA-32RT-300, PA-32RT-300T, PA-32-301, 301T, PA-32R-301, PA-32R-301T, PA-34-200, PA-34-220T, PA-38-112, PA-44-180, -180T

Manufactured by PMA Products, Inc.

Fuel and Alcohol Pumps for Cessna, Piper, and Beech Aircraft

Save over \$400 off OEM List!

- FAA-PMA approved - unconditional one year warranty
- Modern solid state pumps - more dependable and use less current than the old breaker point pumps
- Internal check valve to prevent backflow
- Replacement filter kit P/N CA42370 available for each fuel pump



* Not approved for use in fuel injection aircraft *

Part Number	Replaces OEM P/N	Eligible Models
CA476284E-1	Beechcraft P/N 476284	55, A55, B55, C55, D55, E55, 56TC, A56TC, 58, 58P, 58TC, 60, A60, B60, A65, 70, B80, E95, C90, E90, F90 s/n LA-2 thru LA-56, 100, A100 s/n B-1 thru B-247, 200 s/n BB-2 thru BB-665, 200T s/n BT-1 thru BT-16, 200C s/n BL-1 thru BL-9, 99, 99A, A99A, B99, C99, T-34C s/n GL-1 and On, T-44A
CA6508092-1A	Cessna P/N 476411, 6508091-1, and 6508092	310G, H, I, J, J-1, K, L, N, P, 310G0001 thru 310P0179, 310Q, 310R, E310H, J, 320A, B, C, D, E, F, 335, 340, 340A, 401, 401A, 401-0001 thru 401A0132, 401B, 402, 402A, 402-0001 thru 402A0069, 402B, 402C, 411, 411A, 414, 414A, 421, 421A, 421-0001 thru 421A0111, 404, 421B, 421C, 425, 441, 500, 525, 550, 560, 650
CA35328-800E	Piper P/N 35328-800 and 481-666 (STC)	PA23, PA-23-150,-160,-235,-250,-250 (6 place), s/n 27-1 thru 27-2504 (14v), PA24, PA-24-180,-250,-260, s/n 24-3642, 24-4000 thru -4782, and 24-4781 thru -4803, PA-28-140,-150,-160,-180, PA-28-151, -161 (14v), -181 s/n 28-7690001 thru -7990626 and -8090001 and On (14v), PA-38-112
CA62220-004	Piper P/N 62220-004	PA-28-161 S/N 2816110 thru 2816119 and 2842001 and up. PA-28-181 S/N 2890206 thru 2890231, 2843001 thru 2843820, 2843822 thru 2843851 and 2843853 and up with Lycoming O-360-A4M engine.
CA65628-800E	Piper P/N 65628-800 (STC)	PA-28-235,-236, PA-32-260, PA-44-180 with STC SA02579AT installed

1 Approved for all S/Ns including S/N 500-0001 thru 500-0040 incorporating SB30-1, and S/N 500-0001 thru 500-0213 incorporating SB21-9.
 2 Applicable to the following only if Service Kit SK421-26C is installed: 310G, H, I, J, J-1, K, L, N, P* 310G0001 thru 310P0179, E310H, J, 320A, B, C, D, E, F, 401, 401A, 401-0001 thru 401A0132, 402, 402A, 402-0001 thru 402A0069, 411, 411A, 421, 421A, 421-0001 thru 421A0111

Manufactured by PMA Products, Inc.

FAA-PMA Approved

Fuel Cap for Cessna Aircraft

Replace worn out caps!
P/N C156003-0101

- Fits most Cessna aircraft
- Vented
- Manufactured by Cessna



Fuel Cap Gaskets for Cessna Aircraft

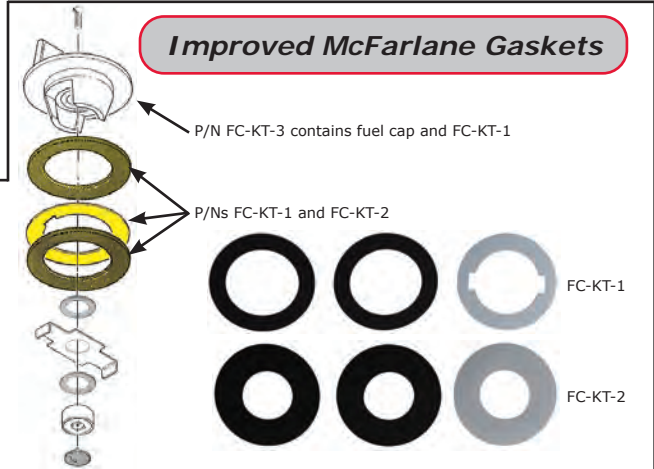
No more leaking or hard to open fuel caps!
P/N FC-KT-1 (for caps P/N C156003-0101 and P/N C156004-0101)
P/N FC-KT-2 (for cap P/N 0426015-1)

Our unique double gasket slip ring arrangement combined with our FAA approved instructions for adjusting the tightness of the cap allows leak free fuel caps that don't require super-human strength to open.

- Kit contains required gasket and slip ring as required
- Fuel proof Viton® and Teflon® for long life

New! Fuel Cap Gasket Kit for Cessna Aircraft

P/N FC-KT-3² contains one P/N C156003-0101 and one P/N FC-KT-1



Fuel System Parts

Aircraft	Serial Number	Kit P/N	
		FC-KT-1 ²	FC-KT-2 ³
140A	All	•	•
150, 150A,B,C,D,E,F,G,H,J,K	All	•	•
150L ¹	15072004 thru 15072628	•	•
150L ¹ , M	15072629 thru 15079405	•	•
A150K	All	•	•
A150L ¹	A1500227 thru A1500276	•	•
A150L ¹ , M	A1500277 thru A1500734	•	•
F150F,G,H,J,K,L ¹	F150-0001 thru F1500738	•	•
F150L ¹ , M	F15000739 thru F15001428	•	•
FA150K, L ¹	FA1500001 thru FA1500166	•	•
FA150L ¹ , M	FA1500167 thru FA1500336	•	•
FRA150L, M	FRA1500121 thru FRA1500166 FRA1500167 thru FRA1500336	•	•
152	15279406 thru 15279629 15279630 thru 15286033	•	•
A152	A1520735 thru A1520741 A1520742 thru A1521049	•	•
F152	F15201429 thru F15201528 F15201529 thru F15201980	•	•
FA152	FA1520337 thru FA1520347 FA1520348 thru FA1520425	•	•
170, 170A, B	18729 thru 27169	•	•
172, 172A, B, C, D, E, F, G, H, I, K, L ¹	28000 thru 17259823	•	•
172L ¹ , M, N ¹	17259824 thru 17269468	•	•
172N ¹ , P, Q, R, S, 172RG	17269469 thru 172599999	•	•
F172D, E, F, G, H, J, K	F172-0001 thru F17200804	•	•
F172L, M, N ¹	F17200805 thru F17201749	•	•
F172N ¹ , P	F17201750 thru F17202254	•	•
FR172E, F, G, H ¹	FR17200001 thru FR17200300	•	•
FR172 H ¹ , J, K ¹	FR17200301 thru FR17200630	•	•
FR172K ¹	FR17200631 thru FR17200675	•	•
R172K	R1722000 thru R1722751 R1722752 thru R1723454	•	•
FP172, P172D	All	•	•
175, 175A, B, C	All	•	•
177, 177A, B	All	•	•
177RG, F177RG	All	•	•
180, 180A, B, C, D, E, F, G, H, J, K	All	•	•

Aircraft	Serial Number	Kit P/N	
		FC-KT-1 ²	FC-KT-2 ³
182, 182A, B, C, D, E, F, G, H, J, K, L, M, N, P, Q, R	33000 thru 18268434	•	•
182R, S, T, T182T	18268435 and On	•	•
F182P, Q	All	•	•
FR182	All	•	•
R182	R18202000 thru R18202041 R18200001 thru R18201999	•	•
T182	18268435 thru 18268541 18267716 thru 18268434	•	•
TR182 ¹	R18200584 thru R18501999 R18202000 and On	•	•
185, 185A, B, C, D, E, A185E, F ¹	185-0001 thru 18504424	•	•
A185F ¹	18504425 thru 18504448	•	•
188 ¹ , 188A, B, A188A, A188B ¹	188-0446 thru 18803296 18803297 and On 18800967T thru 18803296T 18803297T thru 18803973T	•	•
A188B ¹	T18803325T thru T18803974T	•	•
T188C	All	•	•
210-5 (205), 210-5A, (205A)	All	•	•
206	All	•	•
206H, T206H	All	•	•
P206, P206A, B, C, D, E	All	•	•
TP206A, B, C, D, E	All	•	•
U206, U206A, B, C, D, E, F, G ¹	U206-0276 thru U20606846	•	•
TU206A, B, C, D, E, F, G ¹	U20606847 and On	•	•
207, 207A, T207, T207A	All	•	•
210, 210A, B, C, D, E, F, G, H, J, K ¹	57001 thru 21059361	•	•
T210F, G, H, J	All	•	•
210N ¹ , R, T210N ¹ , R	21064136 thru 21065009	•	•
336, 337, 337A, B, C, D, E, F, G, H	All	•	•
F337E, F, G, H, FT337GP, FT337HP, M337B, P337H T337G, H	All	•	•

¹ Partial model eligibility
² P/N FC-KT-1 and FC-KT-3 are only eligible for the indicated aircraft when they are equipped with fuel cap P/Ns C156003-0101 or C156004-0101.
³ P/N FC-KT-2 is only eligible for the indicated aircraft when they are equipped with fuel cap P/N 0426015-1.

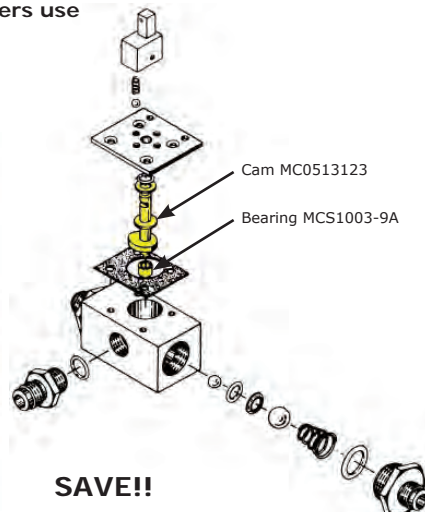
Fuel Selector Valve Cam and Bearing for Cessna Aircraft

Improved corrosion protection inside the valve when customers use McFarlane's new aluminum bearing with the cam.

P/N MC0513123 Cam

P/N MCS1003-9A Bearing

- Anodized aluminum cam
- Aluminum bearing eliminates galvanic corrosion
- Save \$\$\$!



Aircraft	Cam		Bearing	
	MC0513123	MCS1003-9A	MC0513123	MCS1003-9A
170B	•	•	•	•
172, 172A, B, C, D, E, F, G, H, I, K, L	•	•	•	•
172M	•	•	•	•
F172D, E, F, G, H, K, L	•	•	•	•
F172M	•	•	•	•
FP172, P172D	•	•	•	•
R172E, F, G, H	•	•	•	•
R172K	•	•	•	•
FR172E, F, G, H	•	•	•	•
FR172J, K	•	•	•	•
175, 175A, B, C	•	•	•	•
177, 177A, B	•	•	•	•
180F, G, H, J	•	•	•	•

Fuel Bowl Gaskets for Cessna 300 and 400 Series Aircraft

P/N CAB3-11-1

Replaces OEM P/N B3-11-1

Eligible Models

300 series (except 303), 400 series (except 402C, 406, 425, 441)

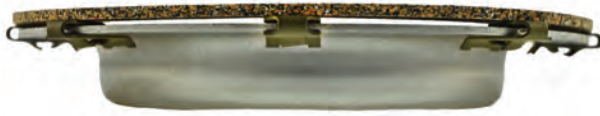
Manufactured by PMA Products, Inc.



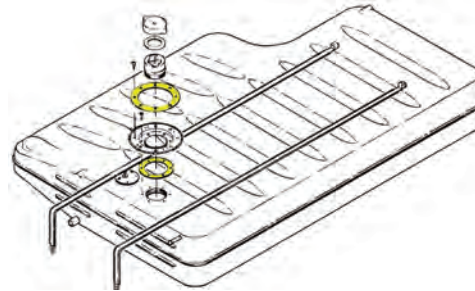
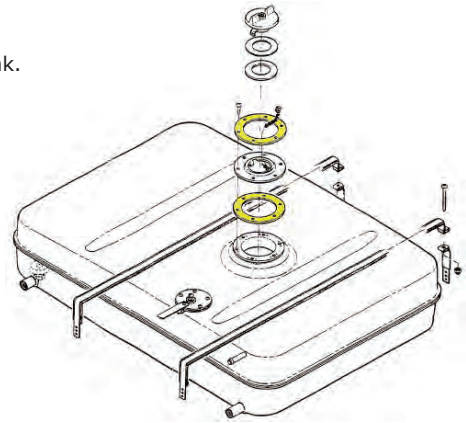
Cessna Fuel Filler Neck and Fuel Tank Adapter Gaskets

Replace dry, brittle gaskets to prevent water contamination in fuel.
Gaskets required to seal between the wing skin, fuel filler neck, fuel tank adapter and fuel tank.

- Realistically priced!
- Cork/rubber composite gaskets meet strict MIL-SPEC requirements for fuel resistance
- Never reuse these gaskets



Improved Upper Gasket
P/N MC0523531
Thicker, softer material for a better seal around the tinnerman clips.



Aircraft	Serial Number	Qty per Aircraft	Part Number
140A	All	2	MC0523531
		2	MC0523532
150, 150A,B,C,D,E,F,G,H,J ¹	17001 thru 15069454	2	MC0523531
		4	MC0523532
150J ¹	15069455 thru 15071128	2	MC0523531
		4 ²	MC0523532
150K,L ¹	15071129 thru 15072628	2	MC0523531
		4 ²	MC0523532
150L ¹ ,M	15072629 thru 15079405	2	MC0426013-1
		2	MC0426013-2
A150K,L ¹	A1500001 thru A1500276	2	MC0523531
		4 ²	MC0523532
A150L ¹ ,M	A1500277 thru A1500734	2	MC0426013-1
		2	MC0426013-2
F150F,G,H,J	All	2	MC0523531
		4	MC0523532
F150K,L ¹	F15000530 thru F15000738	2	MC0523531
		4 ²	MC0523532
F150L ¹ ,M	F15000739 thru F15001428	2	MC0426013-1
		2	MC0426013-2
FA150K,L ¹	FA1500001 thru FA1500166	2	MC0523531
		4 ²	MC0523532
FA150L ¹ ,M	FA1500167 thru FA1500336	2	MC0426013-1
		2	MC0426013-2
152, A152, F152, FA152	All	2	MC0426013-1
		2	MC0426013-2
170A	All	A/R	MC0523531
		4	MC0523532
170B	All	2	MC0523531
		4	MC0523532
172, 172A,B,C,D,E,F,G,H,I	All	2	MC0523531
		4	MC0523532
172K,L ¹	17257162 thru 17259823	2	MC0523531
		4	MC0523532
172L ¹	17259824 thru 17259903	2	MC0523531
		4	MC0523532
172L ¹ ,M ¹	17259904 thru 17263458	2	MC0426013-1
		2	MC0426013-2
172M ¹ ,N,P,Q	17263459 thru 17276654	2	MC0426013-1
		2	MC0426013-2
F172D,E,F,G,H ¹	F172-0001 thru F172-0559	2	MC0523531
		4	MC0523532
F172H ¹ ,K	F172-0560 thru F17200804	2	MC0523531
		4	MC0523532
F172L,M ¹	F17200805 thru F17201234	2	MC0426013-1
F172M ¹ ,N,P	F17201235 thru F17202254	2	MC0426013-1
		2	MC0426013-2
FP172, P172D	All	2	MC0523531
		4	MC0523532
FR172E,F,G,H ¹	FR17200001 thru FR17200300	2	MC0523531
		4	MC0523532
FR172H ¹ ,J,K	FR17200301 thru FR17200675	2	MC0426013-1
		2	MC0523531
R172E,F,G,H ¹	R172-0302 thru R1720494	4	MC0523532
		2	MC0426013-2
R172K	R1722000 thru R1723454	2	MC0426013-1
175, 175A,B,C	All	2	MC0523531
		4	MC0523532

¹ Partial model eligibility
² Requires 8 each per aircraft for aircraft with long range tanks



P/N MC0426013-1
Thickness 0.062"



P/N MC0426013-2
Thickness 0.031"



P/N MC0523532
Thickness 0.062"



P/N MC0523531
Thickness 0.094"

Stat-O-Seal for Cessna Aircraft FAA-PMA Approved P/N MC600-001-10



- Fuel-proof viton rubber
- Save \$\$\$
- Fits some fuel drain valves
- Replaces Cessna part numbers:
600-0000-10, 600-001-10, and 600-0101-10

Aircraft
210, 210A
310R, T310R
335
340, 340A
401, 401A,B
402, 402A,B,C
404
411, 411A
414, 414A



FAA-PMA Approved

Fuel System Parts

Fuel Selector and Fuel Shut-Off Valves For Cessna Aircraft

New or Overhauled Valves

Buy a new FAA-PMA approved valve, or purchase an overhauled one in stock.

Many valves are in stock and ready to ship!

- Overhauled by experienced technicians
- Cleaned, inspected and assembled with all fluorocarbon O-rings, seals, gaskets, hardware and parts as required
- "Return to Service" tag provided
- Pressure tested for leaks and evaluated for proper fuel flow
- McFarlane has FAA-PMA approval to use Fluorocarbon O-rings

Repair kits - P/Ns FSO-KT-1 thru FSO-KT-24

- Contains all required hardware to reseal and perform a repair
- Seals, springs, O-rings, roll pins, washers, screws, balls and plug
- FSO-KT-1 for 0716613 series valves includes the parts contained in Cessna P/N 0716613-200 and -201 seal kits plus additional hardware required for a basic repair
- All parts are FAA approved or certified industry standard hardware.



Many Cessna Fuel valves (including the 0716613 series) require special tools and processes for reassembly. It's often more cost effective to have McFarlane overhaul your valve.

Seal Kits - P/Ns FSS-KT-1 thru FSS-KT-20

Only McFarlane has FAA approval to replace the old, less fuel resistant O-rings with the latest fuel-proof fluorocarbon O-rings!

- Conveniently packaged - includes all necessary O-rings and/or gaskets applicable to specific single engine Cessna aircraft models
- Replace old MS or NAS Series O-rings with Fluorocarbon for improved fuel and heat resistance
- Cork/Rubber gaskets meet tough government standards for fuel resistance

Gaskets, Fittings and O-rings

- Gaskets are available individually or as convenient kits
- O-rings are available in quantities of 10 each or as convenient kits!
- Commonly replaced AN fittings in stock!
- 45° plug P/N AN823-8D and 90° plug P/N MS20822-8D



Replacement Parts

- Complete line of replacement parts for Cessna fuel valves
- Detent plates, springs, plastic seals, cams and more in-stock!
- Unique and common components for McFarlane and Cessna fuel valves and fuel selector valves on pages 145-146

NEW

New FAA-PMA Valves at Realistic Prices!

McFarlane 150, 152, 170, 172, 175, 177, 182 and 185 FAA-PMA Fuel Valves!



Why not just repair my valve?

Many of the original valves have too much damage to be repaired cost-effectively. The original Cessna fuel valve that started in model 170 was a simple but ingenious cam ball design that has proven very reliable over the years. McFarlane has repaired a lot of these original Cessna valves, and we know them well. However, we are now rejecting a big percentage of the valve cores sent to us. A lot of them have corrosion damage in the main body that is too severe to fix, or the O-ring retention area is damaged and too rough to seal. Many of the fittings are corroded through. The cam bearing is brass and easily corrodes the aluminum alloy cam. Due to the poor condition of many original valves, McFarlane developed **a totally new valve that was designed**

just like the original valve but with improvements where needed.

Proven Design with Improvements!

Improved corrosion resistance: McFarlane's new valves are totally anodized where the original valves were Alodine® conversion coated. This change drastically improves the surface durability, wear resistance, and corrosion resistance of all the components, and they will stay pretty too! Corrosion protection is important since the valves are at the lowest point in the fuel system without any upstream water separation or contaminate screening. We have also eliminated the brass bushing that corrodes the cam.

Improved O-ring retention: Modern machining processes lets us precision machine the O-ring capture cavity. The original valve O-rings were retained by staking (stamp forming) the housing. This process was inconsistent at best and distressed and weakened the surrounding aluminum structure.

More balanced fuel flow: Yesterday's manual machining process of the original valves were often inconsistent enough to let one port flow more fuel than needed while the other port might flow a very marginal amount of fuel. The new McFarlane valve is computer machined for a perfect balance of fuel flow.

Fully inspected: You can rest assured that if it's a new McFarlane valve or a valve repaired by McFarlane, it will be pressure, functional, and flow tested to perform to the highest standards.

Now for more good news: All of the improved parts that go into our new valve are interchangeable with the original Cessna valve. This means that if your valve is good with the exception of a few parts, we can fix it at a reasonable price! Whether you need your valve overhauled or a new valve, McFarlane will save you money.



NEW! Fuel Selector Valve for Cessna 150 and 152

Replace your old, sticky, leaky fuel selector valve with McFarlane's improved design!

- FAA-PMA approved design
- Long Life Proven Design
- Save \$\$\$

**New! McFarlane
FAA-PMA approved
fuel valves!**



It is critical on models 172M and F172M, (S/Ns 17260759 thru 17267584, and F17200905 thru F17201514) that before ordering, you should identify the detent housing style of your current fuel valve. Order either MC0513120-8 or MC0513120-200 based on the style installed on your aircraft.



Eligibility for New, Repaired Fuel Selector and Fuel Shut Off Valves and Kits for Cessna Aircraft

Model	Serial Number	Fuel Selector Valve			Fuel Shut-Off Valve		
		McFarlane P/N ¹	Seal Kit	Repair Kit	McFarlane P/N ¹	Seal Kit	Repair Kit
120,140	8001 thru 15075	0411716S, 08HD1/4X1/4X1S					
140A	15200 thru 15724	0413020-3S					
150 ¹	17001 thru 17769				0411803-2S, 9851078-2S ³		
150 ¹ , 150A,B,C,D,E,F,G	17770 thru 15067198	MC9851078-4 New FAA-PMA!			0411803-5S 0411803-6S		
150H,J,K,L ¹	15067199 thru 15073658	MC9851078-4 New FAA-PMA!			0411803-6S		
150L ¹ , M ¹	15073659 thru 15078505	MC9851078-4 New FAA-PMA!			0411803-8S		
150M ¹	15078506 thru 15079405	MC9851070-2 New FAA-PMA!			9851070-2S	FSS-KT-1	F50-KT-2
A150K,L ¹	A1500001 thru A1500342	MC9851078-4 New FAA-PMA!			0411803-6S		
A150L ¹	A1500343 thru A1500523	MC9851078-4 New FAA-PMA!			0411803-8S		
A150L ¹ , M ¹	A1500524 thru A1500684	MC9851078-4 New FAA-PMA!			0411803-8S		
A150M ¹	A1500685 thru A1500734	MC9851070-2 New FAA-PMA!			9851070-2S	FSS-KT-1	F50-KT-2
A-A150L ¹	A-A1500001 thru A-A1500006				0411803-6S		
A-A150L ¹	A-A1500007 thru A-A1500009				0411803-8S		
F150F,G,H,J,K,L ¹	F150-0001 thru F15000863	MC9851078-4 New FAA-PMA!			0411803-6S		
F150L ¹ , M ¹	F15000864 thru F15001338	MC9851078-4 New FAA-PMA!			0411803-8S		
F150M ¹	F15001339 thru F15001428	MC9851070-2 New FAA-PMA!			9851070-2S	FSS-KT-1	F50-KT-2
FA150K,L ¹	FA1500001 thru FA1500166	MC9851078-4 New FAA-PMA!			0411803-6S		
FA150L ¹ , M ¹	FA1500167 thru FA1500311	MC9851078-4 New FAA-PMA!			0411803-8S		
FA150M ¹	FA1500312 thru FA1500336	MC9851070-2 New FAA-PMA!			9851070-2S	FSS-KT-1	F50-KT-2
FRA150L ¹	FRA1500121 thru FRA1500166				0411803-6S		
FRA150L ¹ , M ¹	FRA1500167 thru FRA1500311				0411803-8S		
FRA150M ¹	FRA1500312 thru FRA1500336				9851070-2S	FSS-KT-1	F50-KT-2
152/A152/F152/FA152	All	MC9851070-2 New FAA-PMA!			9851070-2S	FSS-KT-1	F50-KT-2
170 ¹	18003 thru 18573	0511122S ³					
170 ¹	18574 thru 18729	0511160S					
170A,B ¹	18730 thru 20285	0413020-3S					
170B ¹	20286 thru 27169	MC0513120-5	FSS-KT-2	F50-KT-17			
172, 172A,B,C	28000 thru 17249544	MC0513120-5	FSS-KT-2	F50-KT-17			
172D,E	17249545 thru 17251822	MC0513120-6	FSS-KT-2	F50-KT-17			
172F,G,H,I,K,L,M ¹	17251823 thru 17263458	MC0513120-8 ⁷	FSS-KT-2	F50-KT-17			
172M ¹	17263459 thru 17267584	MC0513120-200 ⁷	FSS-KT-2	F50-KT-17			
172N,P ¹	17267585 thru 17275034	9851067-4S	FSS-KT-5	F50-KT-13			
172P ¹ , Q	17275035 thru 17276259	9851096-2S, 9851096-5S	FSS-KT-4 ²	F50-KT-7 ²			
172P ¹	17276260 thru 17276654	9851096-5S	FSS-KT-4 ²	F50-KT-7 ²			
172R,S	17280001 & On, 172S8001 & On	9851096-5S	FSS-KT-4	F50-KT-7	S1903-2		
172RG ¹	172RG0001 thru 172RG0890	9851067-7S	FSS-KT-4	F50-KT-15			
172RG ¹	172RG0891 thru 172RG1177	9851096-2S, 9851096-5S	FSS-KT-4	F50-KT-7			
172RG ¹	172RG1178 thru 172RG1191	9851096-5S	FSS-KT-4	F50-KT-7			
F172D,E	F172-0001 thru F172-0085	MC0513120-6	FSS-KT-2	F50-KT-17			
F172F,G,H,K,L,M ¹	F172-0086 thru F17201234	MC0513120-8 ⁷	FSS-KT-2	F50-KT-17			
F172M ¹	F17201235 thru F17201514	MC0513120-200 ⁷	FSS-KT-2	F50-KT-17			
F172N,P ¹	F17201515 thru F17202134	9851067-4S	FSS-KT-5	F50-KT-13			
F172P ¹	F17202135 thru F17202254	9851096-2S, 9851096-5S	FSS-KT-4 ²	F50-KT-7 ²			
FR172E,F,G,H,J ¹	FR17200001 thru FR17200390	MC0513120-8	FSS-KT-2	F50-KT-17	0716111-1SF	FSS-KT-16	F50-KT-3
FR172J ¹	FR17200391 thru FR17200530	MC0513120-8	FSS-KT-2	F50-KT-17	0716111-2S ³		
FR172J ¹	FR17200531 thru FR17200590	MC0513120-200	FSS-KT-2	F50-KT-17			
R172K, FR172K	All	MC0513120-200	FSS-KT-2	F50-KT-17	0716109-1S	FSS-KT-17	F50-KT-5
P172/FP172	All	MC0513120-6	FSS-KT-2	F50-KT-17			
175, 175A,B	All	MC0513120-5	FSS-KT-2	F50-KT-17			
175C	17557003 thru 17557119	MC0513120-6	FSS-KT-2	F50-KT-17			
177,177A,B	All	MC0513120-9	FSS-KT-2	F50-KT-17	S1903-1S	FSS-KT-16	F50-KT-4
177RG ¹	177RG0001 thru 177RG0282				0716111-4S, S1903-2S	FSS-KT-16	F50-KT-4 ⁶
177RG ¹	177RG0283 thru 177RG0314	MC0716613-4	FSS-KT-18	F50-KT-1			
177RG ¹	177RG0315 thru 177RG1051	MC0716613-5	FSS-KT-18	F50-KT-1			
177RG ¹	177RG1052 thru 177RG1366	9851067-6S	FSS-KT-5	F50-KT-13			
F177RG ¹	F177RG0001 thru F177RG0062				0716111-4S, S1903-2S	FSS-KT-16	F50-KT-4 ⁶
F177RG ¹	F177RG0063 thru F177RG0077	MC0716613-4	FSS-KT-18	F50-KT-1			
F177RG ¹	F177RG0078 thru F177RG0160	MC0716613-5	FSS-KT-18	F50-KT-1			
F177RG ¹	F177RG0161 thru F177RG0177	9851067-6S	FSS-KT-5	F50-KT-13			

Eligibility continued on next page

- ¹ Partial model eligibility
 - ² Use FSS-KT-3 and F50-KT-8 if equipped with air conditioner
 - ³ Part number listed for reference only
 - ⁴ The detent housing type must be verified by McFarlane's technician before purchasing an exchange unit from our stock. Please call 888-624-3153.
 - ⁵ The "S", "SF" or "SP" suffix indicates a McFarlane repaired valve. The applicable Cessna part number is the McFarlane part number without the suffix. Reference the Cessna part number for all maintenance procedures.
 - ⁶ F50-KT-4 only works with valve S1903-2S
 - ⁷ It is critical on model 172M, S/N 17260759 thru 17267584 that before ordering you identify the detent housing style your fuel valve has. See pictures at the top of the page.
- ** Any P/N with MC Prefix will be a new McFarlane Manufactured Part ****

Eligibility for Repaired Fuel Selector and Fuel Shut Off Valves and Kits for Cessna Aircraft

Model	Serial Number	Fuel Selector Valve			Fuel Shut-Off Valve		
		McFarlane P/N 4	Seal Kit	Repair Kit	McFarlane P/N 4	Seal Kit	Repair Kit
F177RG1	F177RG0161 thru F177RG0177	9851067-6S	FSS-KT-5	FSO-KT-13			
180,180A,B,C,D,E,F,G,H,J	30000 thru 18052770	0311070-1S	FSS-KT-6	FSO-KT-16			
180K	18052771 thru 18053203	9851067-5S	FSS-KT-5	FSO-KT-13			
182,182A,B,C,D	33000 thru 18253598	0311070-1S	FSS-KT-6	FSO-KT-16			
182E,F,G,H,J,K,L,M,N,P	18253599 thru 18265175	MC0716613-1	FSS-KT-18	FSO-KT-1			
182Q,R1	18265176 thru 18268055	9851067-5S	FSS-KT-5	FSO-KT-13			
182R1	18268056 thru 18268434	9851096-1S	FSS-KT-5	FSO-KT-6			
182R1, 182S	18268435 and On	9851096-3S	FSS-KT-7	FSO-KT-9			
182T	18280945 thru 18299999	9851116-1S, 9851116-2S	FSS-KT-8	FSO-KT-23			
A182J,K,L,N1	A182-0001 thru A182-0148	0716613-1S	FSS-KT-18	FSO-KT-1			
F182P	F18200001 thru F18200025	MC0716613-1	FSS-KT-18	FSO-KT-1			
F182Q	F18200026 thru F18200169	9851067-5S	FSS-KT-5	FSO-KT-13			
FR182	FR18200001 thru FR182000070	9851067-4S	FSS-KT-5	FSO-KT-13			
R1821,TR1821	R18200001 thru R18201798	9851067-4S	FSS-KT-5	FSO-KT-13			
	R18201799 thru R18201999	9851096-2S	FSS-KT-4	FSO-KT-7			
	R18201799 thru R18202041	9851096-5S	FSS-KT-4	FSO-KT-7			
T1821	18267716 thru 18268055	9851067-4S	FSS-KT-5	FSO-KT-13			
	18268056 thru 18268541	9851096-2S, 9851096-5S	FSS-KT-4	FSO-KT-7			
T182T	T18208001 thru T18299999	9851116-1S, 9851116-2S	FSS-KT-8	FSO-KT-23			
185, 185A1	185-0001 thru 185-0413				0716109-1S	FSS-KT-17	FSO-KT-25
185A1	185-0414 thru 185-0512	Fuel Valve Control P/N MCS1241-1			0716111-1S 2	FSS-KT-16	FSO-KT-3
185B	185-0513 thru 185-0653	MC0716613-3	FSS-KT-18	FSO-KT-1	0716111-1S 2	FSS-KT-16	FSO-KT-3
		Fuel Valve Control P/N MCS1241-1					
185C	All	MC0716613-3	FSS-KT-18	FSO-KT-1	0716111-1S 2	FSS-KT-16	FSO-KT-3
185D,E, A185E1	185-0777 thru 185-1300	MC0716613-3	FSS-KT-18	FSO-KT-1	0716111-1S 2	FSS-KT-16	FSO-KT-3
					Fuel Shut Off Control P/N MCS1241-1		
A185E1	18501301 thru 18501599	MC0716613-4	FSS-KT-18	FSO-KT-1	0716111-1S 2	FSS-KT-16	FSO-KT-3
	18501600 thru 18501679	MC0716613-4	FSS-KT-18	FSO-KT-1	Fuel Shut Off Control P/N MCS1241-27		
A185E1, A185F1	18501680 thru 18502310	MC0716613-4	FSS-KT-18	FSO-KT-1	0716111-1S 2	FSS-KT-16	FSO-KT-3
	18502311 thru 18503153	0716613-4S	FSS-KT-18	FSO-KT-1	0716111-1SP	FSS-KT-16	FSO-KT-3
A185F1	18503154 thru 18504328	9851067-5S	FSS-KT-5	FSO-KT-13	9851070-2S	FSS-KT-1	FSO-KT-2
	18504329 thru 18504424	9851096-1S	FSS-KT-5	FSO-KT-6	9851070-2S	FSS-KT-1	FSO-KT-2
	18504425 thru 18504448	9851096-4S	FSS-KT-5	FSO-KT-6	9851070-2S	FSS-KT-1	FSO-KT-2
188,188A,B,A188,A188A,A188B Without Wing Tanks	188-0001 thru 18802348				1616016-1S 3		
A188 With Wing Tanks	188-0446 thru 188-0572				1H14-2S 3		
A188A1,A188B1 With Wing Tanks	18800573 thru 18802348				0716111-5S	FSS-KT-16	FSO-KT-3
A188B1	18802349 thru 18802745T				0716111-5S	FSS-KT-16	FSO-KT-3
A188B1,T188C	18802746 thru 18803974T				9851070-2S	FSS-KT-1	FSO-KT-2
1901,1951, 195A,B	7004 thru 16083	0311070S					
	16084 thru 16183	0311070-1S	FSS-KT-6	FSO-KT-16			
210-5 (205)1, 210-5A (205A)1	205-0001 thru 205-0550	1216405-1S	FSS-KT-10	FSO-KT-21			
210-5A (205A)1	205-0552 thru 205-0555	1216405-1S	FSS-KT-10	FSO-KT-21			
	205-0551, 205-0556 thru 205-0577	HE764S	FSS-KT-9	FSO-KT-24			
206/U206,U206A,B,C,D,E,F1	U206-0001 thru U20602199	C291503S	FSS-KT-11	FSO-KT-10			
TU206F1,G1, U206F1,G1	U20602200 thru U20605919	1216100-1S, C291503-0101S	FSS-KT-11	FSO-KT-11			
TU206A,B,C,D,E,F1	U206-0487 thru U20602199	C291503S	FSS-KT-11	FSO-KT-10			
TU206G1, U206G1	U20605920 thru U20606439	1216100-2S	FSS-KT-11	FSO-KT-11			
	U20606440 thru U20607020	1216100-1S	FSS-KT-11	FSO-KT-11			
P206,P206A,B,C,D,E	All	C291503S	FSS-KT-11	FSO-KT-10			
TP206A,B,C,D,E	All	C291503S	FSS-KT-11	FSO-KT-10			
206H,T206H	20608001 thru T20699999	9851096-5S	FSS-KT-4	FSO-KT-7			
207,T207,207A1,T207A1	20700001 thru 20700654	1216100-1S, C291503-0101S	FSS-KT-11	FSO-KT-11			
207A1,T207A1	20700655 thru 20700729	1216100-2S	FSS-KT-11	FSO-KT-11			
	20700730 thru 20700788	1216100-1S	FSS-KT-11	FSO-KT-11			
210,210A	57001 thru 21057840	1216001-1S	FSS-KT-12	FSO-KT-12			
210B,C	21057841 thru 21058220	1216405-1S	FSS-KT-10	FSO-KT-21			
210D,E,F, T210F	All	HE764S	FSS-KT-9	FSO-KT-24			
210G,H,J	All	C291503S	FSS-KT-11	FSO-KT-10			
T210G,H,J	T210-0198 thru T210-0392	C291503S	FSS-KT-11	FSO-KT-10			
210K,L,M,N1/T210K,L,M,N1	21059200 thru 21064535	1216100-1S, C291503-0101S	FSS-KT-11	FSO-KT-11			
210N1,R/T210N1,R	21064536 thru 21065009	9851110-3S	FSS-KT-15	FSO-KT-22			
P210N1	P21000001 thru P21000760	1216100-1S, C291503-0101S	FSS-KT-11	FSO-KT-11			
P210N1,R	P21000761 thru P21000874	9851110-3S	FSS-KT-15	FSO-KT-22	0716111-4S		
310, 310B,C,D	35000 thru 39299	0855013-1S	FSS-KT-6	FSO-KT-18			
310F,G,H,I,J-1,K	310-0001 thru 310K0245	0855013-1S,	FSS-KT-6	FSO-KT-18			
		0855020-4S (Aux)	FSS-KT-19	FSO-KT-19			
320, 320-1, 320A,B,C	320-0001 thru 320C0073	0855013-1S	FSS-KT-6	FSO-KT-18			
		0855020-4S (Aux)	FSS-KT-19	FSO-KT-19			
320D	320D0001 thru 320D0130	0855020-5S	FSS-KT-20	FSO-KT-20			

1 Partial model eligibility
 2 For aircraft with flared threads use P/N 0716111-1SF. For aircraft with pipe threads use P/N 0716111-1SP.
 3 Part number listed for reference only
 4 The "S", "SP" or "SP" suffix indicates a McFarlane repaired valve. The applicable Cessna part number is the McFarlane part number without the suffix. Reference the Cessna part number for all maintenance procedures.

Maintenance Tip:

The fuel selector valve works in unscreened fuel. Contaminated fuel can cause selector valve seal damage. When fueling from possibly contaminated fuel sources McFarlane recommends the use of a fuel filter, such as Mr. Funnel or another filtering device, to reduce trash in the fuel system. See page 350 for additional information on Mr. Funnel fuel filters.

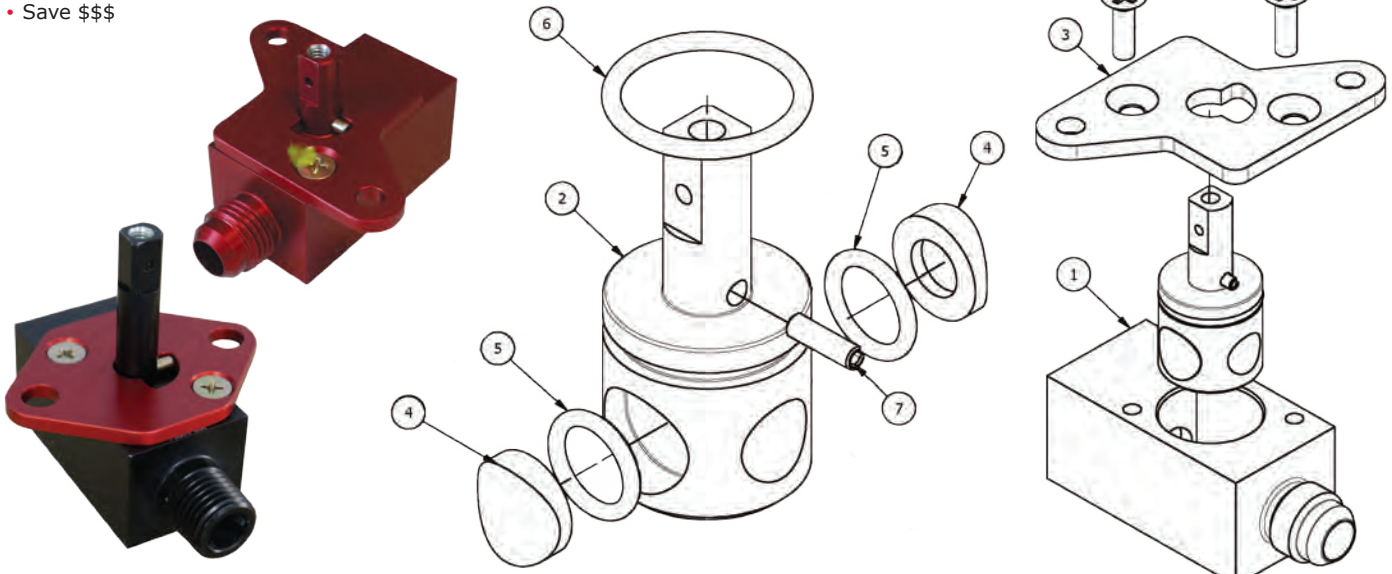


NEW! Replacement Parts for 150-152 Fuel Selector Valves and 185 Shut-Off Valves

Replacement Parts for McFarlane and Cessna 150, 152 and 185 Valves

- Cover, rotors, bodies, o-rings, roll pins, and seals in-stock!
- Unique and common components for p/n MC9851078-4 and MC9851070-2 below
- Save \$\$\$

NEW



Fuel System Parts

Model	Serial Number	Highest Assembly Fuel Selector Valve	Unique Components			Common Components			
			Cover	Rotor	Body	O-ring 3	Roll Pin	Seal 3	O-Ring
			#3	#2	#1	#5	#7	#4	#6
150 [1], 150A,B,C,D,E,F,G,J,K,L,M [1]	17770 thru 15078505	MC9851078-4	MC9851092-2	MC9851072-3	MC9851077-1	MCM83248/1-011	MS06562-22	MC9851073-2	MCM83248/1-016
150M [1]	15078506 thru 15079405	MC9851070-2	MC9851074-1	MC9851072-2	MC9851071-2	MCM83248/1-011	MS06562-22	MC9851073-2	MCM83248/1-016
A150K,L,M [1]	A1500001 thru A1500684	MC9851078-4	MC9851092-2	MC9851072-3	MC9851077-1	MCM83248/1-011	MS06562-22	MC9851073-2	MCM83248/1-016
A150M [1]	A1500685 thru A1500734	MC9851070-2	MC9851074-1	MC9851072-2	MC9851071-2	MCM83248/1-011	MS06562-22	MC9851073-2	MCM83248/1-016
F150F,G,H,J,K,L,M [1]	F150-0001 thru F15001338	MC9851078-4	MC9851092-2	MC9851072-3	MC9851077-1	MCM83248/1-011	MS06562-22	MC9851073-2	MCM83248/1-016
F150M [1]	F15001339 thru F15001428	MC9851070-2	MC9851074-1	MC9851072-2	MC9851071-2	MCM83248/1-011	MS06562-22	MC9851073-2	MCM83248/1-016
FA150K,L [2], M [1,2]	FA1500001 thru FA1500311	MC9851078-4	MC9851092-2	MC9851072-3	MC9851077-1	MCM83248/1-011	MS06562-22	MC9851073-2	MCM83248/1-016
FA150M [1,2]	FA1500312 thru FA1500336	MC9851070-2	MC9851074-1	MC9851072-2	MC9851071-2	MCM83248/1-011	MS06562-22	MC9851073-2	MCM83248/1-016
152/A152/F152/FA152	All	MC9851070-2	MC9851074-1	MC9851072-2	MC9851071-2	MCM83248/1-011	MS06562-22	MC9851073-2	MCM83248/1-016
A185F	18403154 thru 18504448	MC9851070-2	MC9851074-1	MC9851072-2	MC9851071-2	MCM83248/1-011	MS06562-22	MC9851073-2	MCM83248/1-016

Notes:
 [1] Partial model eligibility
 [2] Includes aircraft equipped w/FKA150-2311 & FKA150-2316
 [3] Indicates quantity of two per higher assembly

NEW! FAA-PMA Approved Cessna 150 and 152 Fuel Indicator Plates

Replace your old plastic placard with our new metal indicator plates!

- Powder coated for fade resistance
- Reference your current tank capacity with your model when ordering
- Eligible Series: 150J-M, A150K-M, F150J-L, FA150K-M, 152, A152, F152, FA152

NEW



Part Number	Tank Capacity
MC0410218-10	22.5 gallons
MC0410218-11	21.5 gallons
MC0405050-1	24.5 gallons
MC0405050-2	27.5 gallons
MC0410218-12-279	35.0 gallons
MC0410218-13-279	37.5 gallons

Coming Soon! FAA-PMA Cessna 180, Early 182, 190 and 195 Series Fuel Selector Valves

Sign up for our Email Newsletter to be notified when available!

- To expand our eligibility to cover Cessna 180, early 182, 190 and 195 series
- We will also have PMA replacement parts for the Cessna Valves
- Save \$\$\$

Coming Soon



FAA-PMA Approved

NEW! Replacement Parts for McFarlane FAA-PMA Approved Fuel Selector For Cessna Aircraft

Replacement Parts for McFarlane 170, 172, 175 and 177 Series Fuel Valves

- Rotors, valves, springs, roll pins, screws, washers and more, **all available today!**
- Unique and common components for McFarlane MC0513120-5, MC0513120-6, MC0513120-8, MC0513120-9, and MC0513120-200 valves

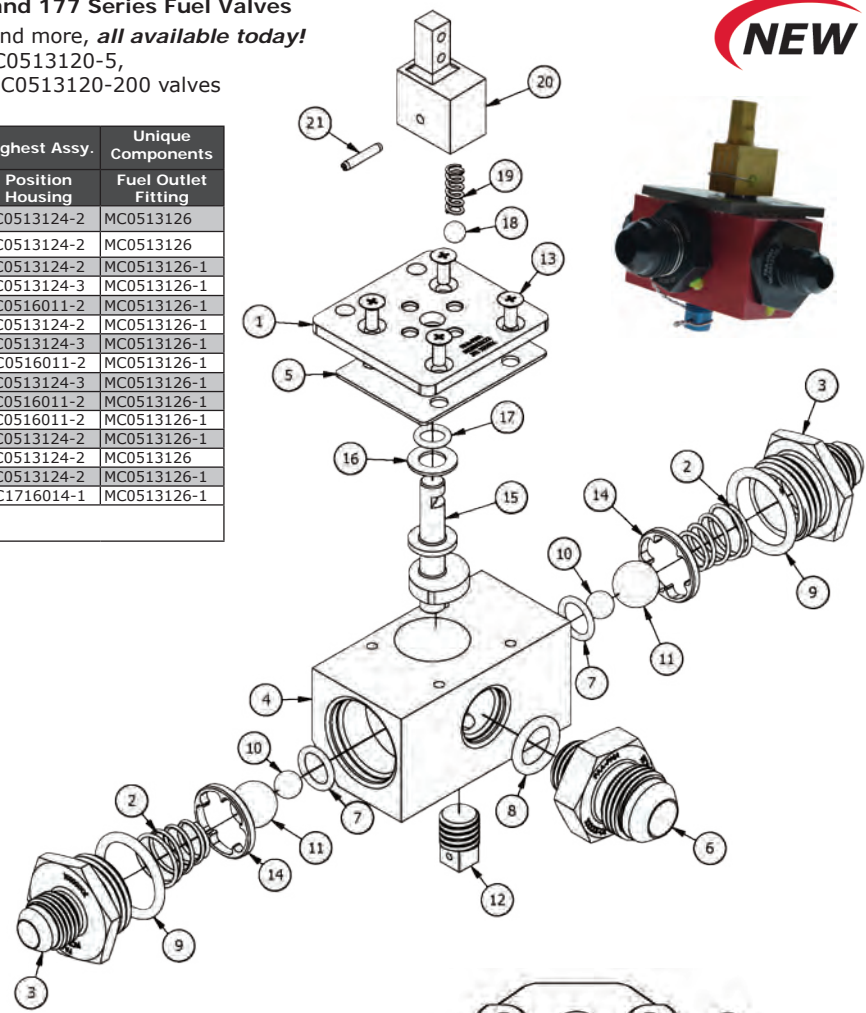
Fuel System Parts

Model	Serial Number	Highest Assy.	Highest Assy.	Unique Components
		Fuel Selector Valve	Position Housing	Fuel Outlet Fitting
170B	20286 thru 27169	MC0513120-5	MC0513124-2	MC0513126
172, 172A,B,C	28000 thru 17249544	MC0513120-5	MC0513124-2	MC0513126
172D,E	17249545 thru 17251822	MC0513120-6	MC0513124-2	MC0513126-1
172F,G,H,I,K,L,M	17251823 thru 17263458	MC0513120-8	MC0513124-3	MC0513126-1
172M	17263459 thru 17267584	MC0513120-200	MC0516011-2	MC0513126-1
F172D,E	F172-0001 thru F172-0085	MC0513120-6	MC0513124-2	MC0513126-1
F172F,G,H,K,L,M	F172-0086 thru F17201234	MC0513120-8	MC0513124-3	MC0513126-1
F172M	F17201235 thru F17201514	MC0513120-200	MC0516011-2	MC0513126-1
FR172E,F,G,H,J	FR17200001 thru FR17200530	MC0513120-8	MC0513124-3	MC0513126-1
FR17200531 thru FR17200590		MC0513120-200	MC0516011-2	MC0513126-1
R172K, FR172K	All	MC0513120-200	MC0516011-2	MC0513126-1
P172, FP172	All	MC0513120-6	MC0513124-2	MC0513126-1
175, 175A,B	All	MC0513120-5	MC0513124-2	MC0513126
175C	All	MC0513120-6	MC0513124-2	MC0513126-1
177,177A,B	All	MC0513120-9	MC1716014-1	MC0513126-1

Notes:
 Partial model eligibility

IPC Graphic	Common Components and Quantities used on all models:	
1	1	Cover Plate MC0513122
2	2	Valve Spring MC0513120-2
3	2	Fuel Inlet Fitting MC0513120-3
4	1	Valve Body MC0513121
5	1	Cover Gasket MC0513125
7	2	Valve O-ring MCM83248/1-012
8	1	Outlet O-Ring MCM83248/1-111
9	2	Inlet O-ring MCM83248/1-116
10	2	Lifter Ball MCS272-209
11	2	Valve Ball MCS272-215
12	1	Drain Plug MS20913-1D
13	4	Cover Screw MS24693S25
14	2	Guide Insert 7715
15	1	Fuel Selector Cam MC0513123
16	1	Thrust Washer NAS1149C0432R
17	1	Cam O-ring MCM83248/1-010
18	1	Positioning Ball MCS272-207
19	1	Positioning Spring MC0513120-1
21	1	Roll Pin MS16562-213

Notes:
 Applicable only for McFarlane fuel selector valves



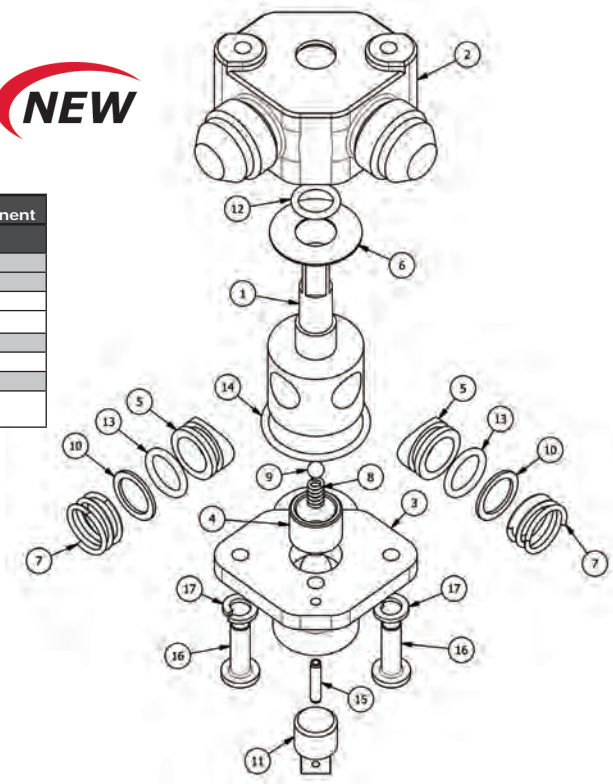
Replacement Parts for McFarlane 177, 182 and 185 Series Fuel Valves

- Unique and common components for McFarlane MC0716613-1, MC0716613-3, MC0716613-4, and MC0716613-5 available below
- In stock and affordable!

Model	Serial Number	Highest Assembly	Unique Component
		Fuel Selector Valve	Rotor
177RG	177RG0283 thru 177RG0314	MC0716613-4	MC0716143-4
	177RG0315 thru 177RG1051	MC0716613-5	MC0716143-9
F177RG	F177RG0063 thru F177RG0077	MC0716613-4	MC0716143-4
	F177RG0078 thru F177RG0160	MC0716613-5	MC0716143-9
182E,F,G,H,J,K,L,M,N,P, F182P	All	MC0716613-1	MC0716143-2
185B,C,D,E, A185E	185-0513 thru 185-1300	MC0716613-3	MC0716143-3
A185E	185-1301 thru 18502310	MC0716613-4	MC0716143-4

Notes:
 Partial model eligibility

IPC Graphic	Common components and quantities used on all models:	
2	1	Valve Body MC0716144-1
3	1	Valve Sump MC0716145-1
4	1	Valve Bushing MC0716146-1
5	2	Rotor Seal MC1216107-4
6	1	Thrust Washer MCS1438-14
7	2	Valve Spring MC1216110-4
8	1	Positioning Spring MC1216110-5
9	1	Positioning Ball MCS272-5
10	2	Seal Washer MCS2385-4
11	1	Drain Plug MS20913-1D
12	1	Upper Rotor O-Ring MCM83248/1-012
13	2	Rotor Seal O-Ring MCM83248/1-013
14	1	Lower Rotor O-ring MCM83248/1-021
15	1	Roll Pin MS16562-65
16	2	Screw MS16562-63
17	2	Lock Washer MS35338-43



CJ Aviation FAA-PMA Fuel Pumps

Precisely machined for better seal life!

CJ Aviation has been manufacturing the best fuel pumps in the industry for more than 20 years, offering direct replacement for Dukes fuel pumps for Beechcraft, Cessna, Diamond, Maule, Mooney, Lake and Navion aircraft.



Better

- Direct replacements
- Two year warranty or 300 hours, whichever comes first

Stronger

- Redesigned motor
- Tighter tolerances for longer seal life

Faster

- In stock
- Most orders ship same day

Aircraft	14 Volt P/N	28 Volt P/N
Beechcraft		
35-C33	4140-00-7NVCJ	
35-C33A	4140-00-39NVCJ	
36	4140-00-39NVCJ	1296-00-1NVCJ
	4258-00-15NVCJ	4613-00-3NVCJ
		4613-00-5NVCJ
A36, G36		4613-00-3NVCJ
		4613-00-5NVCJ
58		4404-00-7NVCJ
95-B55		4404-00-7NVCJ
E33	4140-00-7NVCJ	
E33A, E33C	4140-00-39NVCJ	
E55		4404-00-7NVCJ
F33	4140-00-7NVCJ	
F33A, F33C	4140-00-39NVCJ	1296-00-1NVCJ
G33	4140-00-39NVCJ	
S35	4140-00-39NVCJ	
V35	4140-00-39NVCJ	1296-00-1NVCJ
V35A		1296-00-1NVCJ
Cessna		
172R,S		5100-00-4CJ
FR172E,F,G,H,J,K,L	4140-00-17CJ	
FR172K		4140-00-15CJ
R172K	4140-00-17CJ	
		4140-00-15CJ
177RG	4140-00-17CJ	
		4140-00-15CJ
F177RG	4140-00-17CJ	
R182, TR182		4140-00-15CJ
A188, A188A,B	4140-00-17CJ	4140-00-15CJ
206	4140-00-17CJ	
206H, T206H		4140-00-15CJ
P206, P206A,B,C, TP206A,B,C	4140-00-17CJ	
P206D,E, TP206D,E	4140-00-17CJ	4140-00-15CJ
U206, U206A,B,C, TU206A,B,C	4140-00-17CJ	
U206D,E,F,G, TU206D,E,F,G	4140-00-17CJ	4140-00-15CJ
207, 207A, T207, T207A	4140-00-17CJ	
		4140-00-15CJ
210D,E,F,G,H,J,K, T210K	4140-00-17CJ	
210L,M,N, T210L,M,N		4140-00-15CJ
P210N		4140-00-15CJ
T210F,G,H,J	4140-00-17CJ	
310, E310H,J, T310P,Q,R		4140-00-15CJ
320, 320A,B,C,D,E,F		4140-00-15CJ
340, 340A		4140-00-153CJ
		4140-00-15CJ
401, 401A,B, 402, 402A,B		4140-00-153CJ
		4140-00-15CJ
411, 411A		4140-00-153CJ
		4140-00-15CJ
414, 414A		4140-00-15CJ
421, 421A,B		4140-00-153CJ
		4140-00-15CJ
Diamond		
DA 40, 40F, 42		5100-00-9CJ
Lake Aircraft (Revo)		
LA-4-200	4140-00-19ACJ	
Maule		
M-4	1184-00-3CJ	
	1471-00-3CJ	
	4140-00-57CJ	
M-4-180V, M-4-220	1184-00-3CJ	4140-00-401CJ
	1471-00-3CJ	
	4140-00-400CJ	
M-5-180C, M5-5-200	1184-00-3CJ	4140-00-401CJ
	1471-00-3CJ	
	4140-00-400CJ	
	4140-00-57CJ	
M-5-210C, M-5-210TC	4140-00-57CJ	
	1184-00-3CJ	
	1471-00-3CJ	
M-5-220C		4140-00-57CJ

Aircraft	14 Volt P/N	28 Volt P/N
Maule (continued from previous column)		
M-5-235C	1184-00-3CJ	4140-00-401CJ
	1471-00-3CJ	
	4140-00-57CJ	
	4140-00-400CJ	
M-6-180	1184-00-3CJ	4140-00-401CJ
	1471-00-3CJ	
	4140-00-400CJ	
M-6-235	1184-00-3CJ	4140-00-401CJ
	1471-00-3CJ	
	4140-00-400CJ	
M-7-235, M-7-235A,B,C, MT-7-235	1184-00-3CJ	4140-00-401CJ
	1471-00-3CJ	
	4140-00-400CJ	
M-7-260, M-7-260C, MT-7-260	1184-00-3CJ	4140-00-401CJ
	1471-00-3CJ	
	4140-00-400CJ	
M-7-420A, M-7-420AC	1184-00-3CJ	4140-00-401CJ
	1471-00-3CJ	
	4140-00-400CJ	
MT-7-420	4140-00-400CJ	4140-00-401CJ
MXT-7-160, MX-7-180, MXT-7-180, MX-7-180A, MX-7-180A, MX-7-180AC,B,C, MX-7-235, M-8-235	1184-00-3CJ	4140-00-401CJ
	1471-00-3CJ	
	4140-00-400CJ	
Mooney		
M20D,E	4140-00-21ACJ	
M20E,F	4140-00-19ACJ	
M20G	4140-00-21ACJ	
M20J,K	4140-00-19ACJ	
Navion (Sierra Hotel Aero)		
H5	4140-00-17NCJ	
<p>1 Partial model eligibility 2 When originally equipped with Dukes P/N 4140-00-15 or P/N C291504-0201 3 When originally equipped with Dukes P/N 4140-00-17 or P/N C291504-0101 4 When equipped with Franklin 6A-300 series engine 5 When equipped with IO-520-B or IO-520-BA engine 6 S/N FR172-0001 thru F17200620 7 S/N FR17200621 and On 8 S/N R1722000 thru R1722724 9 S/N R1722725 and On 10 S/N 177RG0283 thru 177RG1266 11 S/N 177RG1267 and On 12 S/N F177RG0063 thru F177RG0177 13 S/N R18200584 thru R18201628 14 S/N 20700001 thru 20700414 15 S/N 20700228 and On 16 S/N 21059503 thru 21064535 17 S/N P21000001 thru P21000760 18 When equipped with aux. fuel pumps on the left and right hand firewall locations 19 If used by a flight school warranty is void</p>		

Cross Reference

Dukes to CJ Aviation		TAT Conversion
Dukes P/N	CJ Aviation P/N	TAT Conversion P/N
1184-00-1 and 1184-00-3	1184-00-3CJ	1296-00-1NVCJ-TAT
1296-00-1NV	1296-00-1NVCJ	4140-00-39NVCJ-TAT
1471-00-1 and 1471-00-3	1471-00-3CJ	4258-00-15NVCJ-TAT
4140-00-7 and 4140-00-7NV	4140-00-7NVCJ	4613-00-3NVCJ-TAT
4140-00-15	4140-00-15CJ	4613-00-5NVCJ-TAT
4140-00-17	4140-00-17CJ	
4140-00-17N	4140-00-17NCJ	
4140-00-19A	4140-00-19ACJ	
4140-00-21A	4140-00-21ACJ	
4140-00-39NV	4140-00-39NVCJ	
4140-00-57	4140-00-57CJ	
4140-00-153	4140-00-153CJ	
4258-22-15NV	4258-00-15NVCJ	
4404-00-7NV	4404-00-7NVCJ	
4613-00-3 and 4613-00-3NV	4613-00-3NVCJ	
4613-00-5 and 4613-00-5NV	4613-00-5NVCJ	
5100-00-1, 5100-3 and 5100-00-4	5100-00-4CJ	
5100-00-9	5100-00-9NC	
5140-00-400	4140-00-400CJ	
4140-00-401	4140-00-401CJ	

NEW

Tornado Alley Turbo Conversions
 Do you have a TAT conversion?
 CJ Aviation now has approved fuel pumps for Tornado Alley Turbo Conversions. These pumps on average run three PSI more than the standard pumps. The TAT conversions require more fuel as they are both a tuned system and put out more power.

Note: A refundable core charge is included in the price of all CJ Aviation FAA-PMA pumps. See the following page for a Dukes to CJ part number cross reference.

FAA-PMA Approved

CJ Aviation Overhauled Fuel Pumps FAA and EASA approved certified repair station

Overhauled fuel pumps are available for general aviation aircraft and experimental aircraft with exchanges on Airborne, Dukes and Weldon pumps. Quick turn around with same day shipping on standard fuel pump part numbers. **Call for details.**

Fuel System Parts

Dukes		Weldon							
14 Volt P/N	28 Volt P/N	JA Style Lip Seal	J Style Lip Seal	J Style Face Seal	JC Style Lip Seal	JC Style Face Seal	JL Style Lip Seal	L Style	
1171-00-1NV	1296-00-1NV	A8120-B	33959-2	900107	8150-B	A8150-B	10054-A	10024-B	
1184-00-3	1500-00-31	A8120-C	33959-3	269A8304-19	8152-B	A8150-B1	10054-B	10028-A	
1458-00-1	1500-00-35	A8120-D	481-766	269A8304-21	8153-C	A8152-B	10062-B	42113-5	
1471-00-3	1500-00-38	A8121-B	481-780	461-758	8154-A	A8153-B	A10050-C	42113-6	
1499-00-19	1817-00-1NV	A8122-A	8007-B	8018-A	8154-B	A8153-C	A10050-D	48885-2	
1499-00-21	4140-00-111		8008-C	8027-C	8157-B	A8159-A	A10051-D	53050-2	
1816-00-1NV	4140-00-15		8009-A	A8007-B	8158-A	A8160-B	A10053-A	A10008-F	
4140-00-103NV	4140-00-153		8009-B	A8008-D	8158-B	A8160-D	A10053-B	A10009-F	
4140-00-11NV	4140-00-400		8010-A	A8016-B	8159-A	A8163-A	A10055-B	A10009.1-A	
4140-00-17	4140-00-401		8016-B	A8016-B1	8160-B	A8163-A1	A10056-B	A10009.1-B	
4140-00-17N	4140-00-47		8017-A	A8017-A	8163-A	A8163-B	A10063-A	A10014-D	
4140-00-19A	4140-00NV		8115-B	A8019-A	8163-B	A8164-A		A10014-D40	
4140-00-19B	4404-00-7NV		8116-B	A8020-A	8164-A	A8168-A		A10014-D42	
4140-00-1NV	4613-00-3NV		8120-G	A8020-B	8168-A	A8170-A		A10014-D44	
4140-00-218	4613-00-5NV		8120-H	A8123-H	8169-A	A8171-A		A10014-E	
4140-00-21A	5100-00-4		8120-J	A8127-A	8170-A	A8172-A		A10017-C	
4140-00-39NV	5100-00-9		8120-K	A8127-B	8171-B	A8174-B		A10019-C	
4140-00-57	5217-00-1R		8120-L	A8136-B	8172-A	A8176-B		A10019-D	
4140-00-7NV	5217-00-3		8120-M	A8148-A	8174-A	A8177-B		A10019-E	
4258-00-15NV			8123-H	A8148-B	8174-B	A8177-B		A10019-E1	
5367-00-1			8136-B	B8009-A	8175-A	A8178-A		A10057-B	
			8140-B	B8009-B	8175-B	A8178-B		B10000-F	
			A8009-A	B8110-F	8176-B	A8179-A		B10000-F1	
			A8009-B	B8110-G	8177-A	A8181-A		B10003-F	
			A8110-C	B8118-A	8177-B	A8183-A		B10007-D	
			A8110-F	B8120-G	8178-A	A8184-A		B10010-F	
			A8110-G	B8120-H	8178-B	A8185-B		B10010-FW	
			AA8001-G	B8120-J	8179-A	A8186-B		B10014-E	
			AA8001-H	B8120-K	8180-B	A8188-B		B10014-F	
			B8001-G	B8120-M	8190-B	A8189-B		TA1-23-84	
			B8001-H	C8009-A		A8250-B			
			B8103-F	C8009-B		C8187-B			
			C8100-E	D8100-E		MY103-280			
			C8100-F	D8100-F					
			C8100-L						



Alcal 2000+ EGT/CHT/TIT System Tester/Calibrator

Trusted by aviation technicians since 1970!
P/N 85337

The Alcal 2000+ manufactured by Alcor provides everything needed for accurate calibration and troubleshooting of EGT/CHT/TIT, Type K, J, and E systems. The tester simulates thermocouple output millivolts so that instruments can be calibrated on the ramp or in the shop. The Alcal 2000+ also accepts a millivolt input while testing Alcor thermocouples installed in its special heater for accurate analysis at operating temperatures.

The Alcal 2000+ is also designed to check the accuracy of an entire system or the individual components. While the thermocouple is in the heater, the instrument can be read in the panel and recalibrated as necessary while simulating temperatures up to 1750°F. An easy-to-read LCD display makes accurate settings a snap. With its rugged Pelican case, the Alcal 2000+ is ready to use anywhere! Certification of the Alcal 2000+ is traceable to the National Institute of Standards and Technology (NIST).

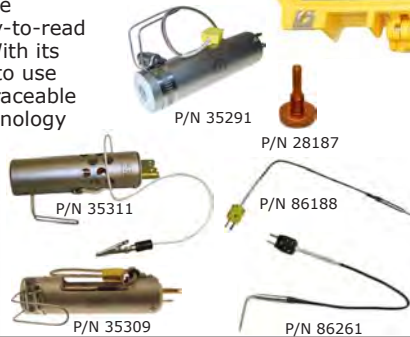


First annual calibration free!



New removable lid

Alcal Accessories and Replacement Parts	
28187	Adapter for gasket style CHT thermocouples
28202	CHT Adapter
35291	EGT Heater for Alcal 2000 with 0.128" hole
35309	EGT Heater for older Alcal systems
35311	CHT Heater for Alcal 2000
72112	Eutectic Refill, EGT
86188	EGT/TIT Reference Thermocouple for Alcal 2000
86261	CHT Reference Thermocouple for Alcal 2000



New version of the trusted Alcal 2000 with these great improvements

- Pelican case redesigned with removable lid
- Internal carrying handle for transporting w/o lid
- 3rd EGT/TIT Heater (p/n 35291) capable of accepting competitors larger probes
- Easy access to the fuse for quick replacement if necessary
- Includes all reference probes and accessories needed for testing and calibrating EGT, TIT, and CHT systems

JPI, EI and Westach to Alcor Probe Adapter

Makes upgrading to premium Alcor EGT/TIT probes easy!
P/N 74291

- Adapts small diameter (faster response) clamp style Alcor probes to exhaust hole diameters up to 0.25"
- Provides positive exhaust gas seal
- For EGT clamp style Probes



Syringe for TCP Fuel Treatment

P/N 73138
Make precise measurement easy!



Manufactured by Alcor, Inc.

Alcor Instruments and Probes

Don't waste your money on cheap instruments and probes.
There is a big difference!

Increase engine life and enhance safety through proper monitoring

- Faster responding probes than low dollar alternatives
- Temperature compensated gauges for accuracy all year round at any altitude
- Single gauges monitor one cylinder, dual gauges for twin engine aircraft monitor one cylinder per engine. Add a selector switch to make an economical full engine analyzer. *Lighted gauges and custom dials also available!*

Alcor — A name you can trust.

- Over 50 years experience – designed, manufactured and supported in the USA
- Generous warranty: 3 years for gauges, 5 years for grounded probes, 1 year for ungrounded probes
- FAA-PMA/STC approved for all aircraft with reciprocating engines

Simple Installation

- No power required from the aircraft (lighted gauges require power)
- Works even with an electrical failure
- Great for homebuilt or antique aircraft with no electrical system
- Gauges include all mounting hardware
- Standard 2 1/4" or 3 1/8" gauge sizes



Fast delivery!

Alcor Leads

- High quality stranded material for flexibility and long life (cheap single stranded leads are prone to break)
- Used to attach a thermocouple probe to a gauge
- Must be of the same type as the thermocouple (e.g., a Type K probe must use Type K leads)
- Do not shorten or splice as this will alter the resistance and require recalibration of the gauge. See calibration note



Bulk wire now available!
 P/N 98156 (Type K Thermocouple Extension)
 P/N 98204 (Type J)
 P/N 98211 (Type K)

CHT Type J Black and Yellow		
P/N	Resistance	Length
42535	7.76 ± .20 Ω	90"
42536	7.76 ± .20 Ω	144"
42543	7.76 ± .20 Ω	216"
42537	7.76 ± .20 Ω	240"

EGT Type K Red and Yellow		
P/N	Resistance	Length
42525	4.34 ± .08 Ω	90"
42526	2.71 ± .06 Ω	144"
42528	6.52 ± .11 Ω	216"
42527	7.25 ± .12 Ω	240"

Calibration note:

EGT gauges with relative lean to peak markings may be easily recalibrated in flight per the instructions provided with the gauge. TIT, CHT and EGT gauges with True Temperature markings must either be recalibrated with an Alcor System Tester or returned to Alcor for recalibration if the total lead and probe resistance does not match the gauge calibration. Digital or amplified gauges from other manufacturers are not sensitive to lead resistance, therefore leads may be shortened as needed for these applications without requiring recalibration.

CHT Leads

- Integrated resistor ensures the same resistance regardless of length
- Choose leads based on the distance from the probe to the gauge

EGT/TIT Leads

- Each length has a different resistance
- Total resistance of the lead and the probe must match the calibration of the gauge
- Choose replacement leads based on the calibration of the existing gauge
- For a new system, choose leads based on the distance from the probe to the gauge and choose a gauge with the corresponding calibration

Save with kits see page 151!

Bulk Wire and Hardware for Alcor Probes Installed in Garmin Units

Bulk Wire P/N 98214
 Hardware P/N 38091



- Wire bulk comes in 50 ft length
- Specifically designed for the Alcor probes in the table, but works with any Type K Alcor probes

Garmin P/N	Alcor P/N	Description
494-70008-01	28202	CHT Adapter (used with probe 86252)
494-70002-00	86245	EGT/TIT Screw-In (7/16-20)
494-70008-00	86252	CHT Bayonet Style Type K (use adapter p/n 28202)
494-70000-00	86253	CHT Bayonet Style Type K, screw in
494-70001-00	86255	EGT Clamp Type K

CHT RTD Thermistor Bulb

P/N 86146



- FAA-PMA approved
- Approved replacement for many obsolete part numbers
- Only approved product of its kind

Aircraft	Replaces	Model
Beechcraft	AN-5546-1 102-00007 MS24482-1	95-55, 95-B55, G58, E55, E55A, 58, 58P, 58TC, F33A, F33C, V35B, A36, B36TC
Cessna	8013601-4 8013601-6	210, 310, 335, 340, 401, 402, 404
Piper	AN5546-1 102-00007 4537751	PA-31, PA-31-300, PA-31-325



Manufactured by Alcor

CHT Bayonet Adapter

P/N 28202

- 3/8"-24 UNF thread
- Threads into cylinder thermowell
- Adapts to standard bayonet probes



Manufactured by Alcor

Pilatus PC-12 Temperature Probe Coolers

P/N PC12-ICE

- Comes with two coolers, one for each probe
- Provides sub-freezing temperatures to the OAT probes for up to two hours in a 70° F hangar
- Nylon set screws included
- Replaces Pilatus tool P/N 5133012001



FAA-PMA Approved

Instruments Probes and Leads

CHT Gauges

Indicates true temperature from 200-600°F or 100-300°C in 25° increments

Save with kits on the next page!

P/N	Description	Compatible Thermocouple Type	Size	Calibration 1
46171	CHT Gauge Celsius	J - Black and Yellow	2 ¼"	250C @ 8.0 Ω
46151	CHT Gauge	J - Black and Yellow	2 ¼"	500F @ 8.0 Ω
46127	CHT/CHT Dual Gauge	J - Black and Yellow	2 ¼"	500F @ 8.0 Ω
46157	CHT/CHT Dual Gauge	J - Black and Yellow	3 ½"	500F @ 8.0 Ω

1 Factory calibrated at the specified temperature for any Alcor type J leads and probes.



P/N 46171



P/N 46151



P/N 46127



P/N 46157

EGT Gauges

Save on fuel costs with precision leaning!

- Quick visual reference to peak EGT
- Set peak reference with easy in-flight calibration – special calibration screwdriver included!
- Single 2 ¼" and dual 3 ½" models include an adjustable reference needle
- Two marking options: Relative to peak (lean to peak temperature indicated with an *asterisk** – must be calibrated in flight) or true temperature from 1200-1700°F in 25° increments



P/N 46125
P/N 46188-3



P/N 46150
P/N 46148 w/Light 12V
P/N 46149 w/Light 24V



P/N 46164



P/N 46244 (7.6 Ω)
P/N 46162 (3.3 Ω)



P/N 45993 (Type E)
P/N 46000-1
P/N 46000-3
P/N 46000-7
P/N 46115 (w/light)
P/N 46155

P/N	Description	Compatible Thermocouple Type	Size	True Temp or Relative to Peak	Calibration 1
46000-1	EGT/EGT Dual Gauge	K - Red and Yellow	3 ½"	TT	1650F @ 8.2 Ω (264") 2
46000-3	EGT/EGT Dual Gauge	K - Red and Yellow	3 ½"	TT	1550F (100") 2 Front 3.6 Ω Rear 7.8 Ω (250") 2
46000-7	EGT/EGT Dual Gauge	K - Red and Yellow	3 ½"	TT	1650F @ 7.6 Ω (240") 2
46115	EGT/EGT Dual Gauge w/Light 24V	K - Red and Yellow	3 ½"	RTP	1600F @ 7.44 Ω 3
46125	EGT/EGT Dual Gauge	K - Red and Yellow	2 ¼"	RTP	1600F @ 7.44 Ω 3
46148	EGT Gauge w/Light 12V	K - Red and Yellow	2 ¼"	RTP	1600F @ 3.63 Ω 3
46149	EGT Gauge w/Light 24V	K - Red and Yellow	2 ¼"	RTP	1600F @ 3.63 Ω 3
46150	EGT Gauge	K - Red and Yellow	2 ¼"	RTP	1600F @ 3.63 Ω 3
46155	EGT/EGT Dual Gauge	K - Red and Yellow	3 ½"	RTP	1600F @ 7.44 Ω 3
46162	EGT Gauge w/Green Arc	K - Red and Yellow	2 ¼"	TT	1650F @ 3.3 Ω (90") 2
46164	EGT Gauge	K - Red and Yellow	2 ¼"	TT	1650F @ 3.3 Ω (90") 2
46188-3	EGT Dual Gauge w/Light	K - Red and Yellow	2 ¼"	RTP	1600F @ 7.44 Ω 3
45993	EGT/EGT Dual Gauge	E - Red and Brown	3 ½"	RTP	1550F @ 8.9 Ω 3
46244	EGT Gauge w/Green Arc	K - Red and Yellow	2 ¼"	TT	1650F @ 7.6 Ω (240") 2

1 Factory calibrated at the specified temperature for the specified total probe and lead resistance. Calibration temperature also indicates the location of the * or red line.

2 Factory calibrated for leads of the indicated length but may be recalibrated for different lead lengths either at the factory or with an Alcor 2000 or 2000+ System.

3 Factory calibrated for the specified total lead and probe resistance, but may be easily recalibrated in flight.

Combination CHT/EGT Gauges

- CHT indicates true temperature from 200-600°F in 25° increments
- EGT indicates temperature relative to peak in 25° increments (lean to peak temperature indicated with an * - must be calibrated in flight)
- 3 ½" size includes adjustable reference needle for the EGT

P/N	Description	Compatible Thermocouple Type	Size	Calibration 1
46126	CHT/EGT Dual Gauge	J - Black and Yellow (CHT) K - Red and Yellow (EGT)	2 ¼"	500F @ 8.0 Ω / 1600F @ 3.63 Ω
46156	CHT/EGT Dual Gauge	J - Black and Yellow (CHT) K - Red and Yellow (EGT)	3 ½"	500F @ 8.0 Ω / 1600F @ 3.63 Ω

1 CHT Factory calibrated for any Alcor type J leads and probes. EGT Factory calibrated for specified total lead and probe resistance, but may be re-calibrated in flight.



P/N 46126



P/N 46156

See next page for money saving kits!

TIT Gauges

- Dual gauges for twin engine aircraft
- Indicates true temperature from 1200-1700°F in 25° increments

P/N	Description	Compatible Thermocouple Type	Size	Calibration 1
46000-4	TIT/TIT Dual Gauge w/Light 24V	K - Red and Yellow	3 1/8"	Scale 1650F @ 6.2 Ω (192") 2
46224	TIT/TIT Dual Gauge	K - Red and Yellow	3 1/8"	Scale 1650F @ 7.44 Ω (216") 2
46243	TIT Gauge	K - Red and Yellow	2 1/4"	Scale 1650F @ 3.63 Ω (90") 2
46124	TIT/TIT Dual Gauge	K - Red and Yellow	2 1/4"	Scale 1650F @ 7.6 Ω (240") 2

1 Factory calibrated at the specified temperature for the specified total probe and lead resistance. Calibration temperature also indicates the location of the red line.
 2 Factory calibrated for leads of the indicated length but may be recalibrated for different lead lengths either at the factory or with an Alcor 2000 or 2000+ System.



P/N 46243



P/N 46124


 P/N 46224
P/N 46000-4

Instruments Probes and Leads

Universal Cylinder Selector Switches

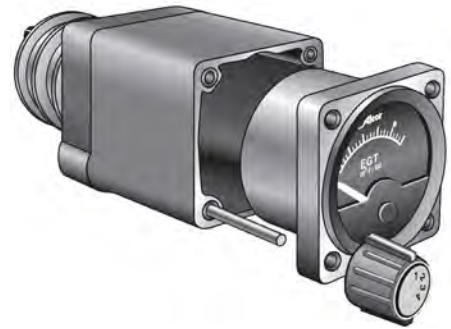
An inexpensive way to create a full engine monitor!

P/N 80825 for all single 2 1/4" Alcor gauges

- Allows one gauge to monitor up to seven temperatures
- With a CHT gauge you can monitor CHT for all four or six cylinders for a single engine
- With an EGT gauge you can monitor EGT for all four or six cylinders plus TIT for a turbocharger for a single engine

P/N 80827 for all dual 2 1/4" Alcor gauges

- Allows one gauge to monitor up to 14 temperatures
- With a CHT/EGT gauge you can monitor CHT and EGT for all four or six cylinders plus TIT for a turbocharger for a single engine
- With a dual EGT gauge you can monitor EGT for all four or six cylinders plus TIT for a turbocharger for two engines



P/N 80825



P/N 80827

Can also be used with non-Alcor gauges!

Complete Kits

- Save with complete kits from McFarlane!
- Includes everything you need!



Kit Contents



P/N 46150



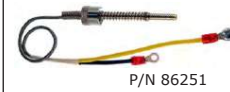
P/N 46156



P/N 86245



P/N 86202



P/N 86251



P/N 42535



P/N 42525



P/N 80825/80827



P/N 28202

Kit P/N	Description	Gauge	Probes	Leads	Accessories (included)
211-110	2 1/4" EGT, Clamp Probe, 90" Lead	(1) 46150	(1) 86255	(1) 42525	
211-140	2 1/4" EGT, Clamp Probes, 90" Leads, 4 Cylinder Switch	(1) 46150	(4) 86255	(4) 42525	(1) 80825
211-160	2 1/4" EGT, Clamp Probes, 90" Leads, 6 Cylinder Switch	(1) 46150	(6) 86255	(6) 42525	(1) 80825
211-210	2 1/4" EGT, Clamp Probe, 144" Lead	(1) 46150	(1) 86255	(1) 42526	
213-101	2 1/4" CHT, Bayonet Probe, 90" Lead	(1) 46151	(1) 86251	(1) 42535	(1) 28202
213-104	2 1/4" CHT, Bayonet Probes, 90" Leads, 4 Cylinder Switch	(1) 46151	(4) 86251	(4) 42535	(4) 28202, (1) 80825
213-201	2 1/4" CHT, Bayonet Probe, 144" Lead	(1) 46151	(1) 86251	(1) 42536	(1) 28202
222-111	2 1/4" CHT/EGT Bayonet/Clamp Probes, 90" Leads	(1) 46126	(1) 86251, (1) 86255	(1) 42525, (1) 42535	(1) 28202
222-144	2 1/4" CHT/EGT Bayonet/Clamp Probes, 90" Leads, 4 Cylinder Switch	(1) 46126	(4) 86251, (4) 86255	(4) 42525, (4) 42535	(4) 28202, (1) 80827
222-211	2 1/4" CHT/EGT Bayonet/Clamp Probes, 144" Leads	(1) 46126	(1) 86251, (1) 86255	(1) 42526, (1) 42536	(1) 28202
222-266	2 1/4" CHT/EGT Bayonet/Clamp Probes, 144" Leads, 6 Cylinder Switch	(1) 46126	(6) 86251, (6) 86255	(6) 42526, (6) 42536	(6) 28202, (1) 80827
46126-Kit	2 1/4" CHT/EGT Dual Meter Kit	(1) 46126	(1) 86202, (1) 86255	(1) 42525, (1) 42535	
322-111	3 1/8" CHT/EGT Bayonet/Clamp Probes, 90" Leads	(1) 46156	(1) 86251, (1) 86255	(1) 42525, (1) 42535	(1) 28202
1136-B20A	3 1/8" Dual EGT, Screw-In Probes 240" Leads	(1) 46155	(2) 86245	(2) 42527	

FAA-PMA Approved

Instruments Probes and Leads

Thermocouple Probes

With over 50 years of aviation manufacturing experience, Alcor makes the highest quality, longest lasting, and fastest responding probes.

- Best warranty in the industry (5 year on grounded probes, 1 year on ungrounded probes)
- Improved design features
- Designed, manufactured and supported in the USA

Thermocouple Types: What's the difference?

A thermocouple is formed by the junction between two metals. When the junction is heated, a very small voltage measured in millivolts (1/1000V) is generated. The higher the temperature, the higher the voltage. Each metal combination is best suited for a specific temperature range. The type of thermocouple indicates the metal combination. Three types are used in aviation EGT, CHT, and TIT applications:

Three types are used in aviation EGT, CHT, and TIT applications:

Type	Wires			Description
	Color	Polarity	Material	
J	Black	+	iron	Very sensitive. Limited to lower temps. Not for EGT or TIT probes. Standard for CHT probes. Required for all Alcor CHT gauges.
K	Red	-	alumel	Sensitive over a broad range of temps. Standard for EGT and TIT probes and some amplified or digital CHT gauges from other companies.
E	Red	-	constantan	Used in older EGT systems. Alcor still supplies Type E gauges and a limited supply of probes, but not supply leads. If new probes or leads are required, it is a good time to upgrade to a Type K system. Brown wire may look tan or silver.
	Brown	+	chromel	

The type of thermocouple must match the type of gauge and lead.

Grounded vs Ungrounded

Grounded probes have the thermocouple junction welded directly to the probe shaft. They have faster response time, longer life, and lower cost, but since they have continuity with the engine ground, they are susceptible to more electrical noise. This noise does not affect Alcor gauges, but can cause problems with some amplified or digital gauges from other manufacturers. All Alcor gauges can use grounded thermocouple, although some airframe manufacturers require ungrounded probes.

Ungrounded probes have the thermocouple junction isolated from the probe shaft so there is no continuity between the thermocouple and the engine ground resulting in less electrical noise. They are required for some amplified or digital gauges from other manufacturers and by some airframe manufacturers.

Connectors

Most probes have ring terminal connectors however some have a Omega style male plug connector. Omega style plugs are **now available** for converting an existing ring terminal installation.



Omega Connector
P/N 23931 (male)
P/N 23955 (female)
P/N 23932 (male Type J)
P/N 23944 (female Type J)

Stagger

The two different color probe wires are typically different lengths to ensure the correct polarity when reattaching them to the lead going to the gauge. Stagger refers to which color wire is longer.

For Type K probes, two options are available:

Normal: The yellow probe wire is longer

Reverse: The yellow probe wire is shorter



Normal and reverse stagger probes and leads are all completely compatible, however, having the correct stagger ensures a neat installation and correct polarity. P/N 42523 EGT Lead Stagger Adapter is available to convert a normal stagger to a reverse stagger.

Save \$\$\$ with kits see page 151!

Alumel EGT Lead Stagger Adapter

P/N 42523

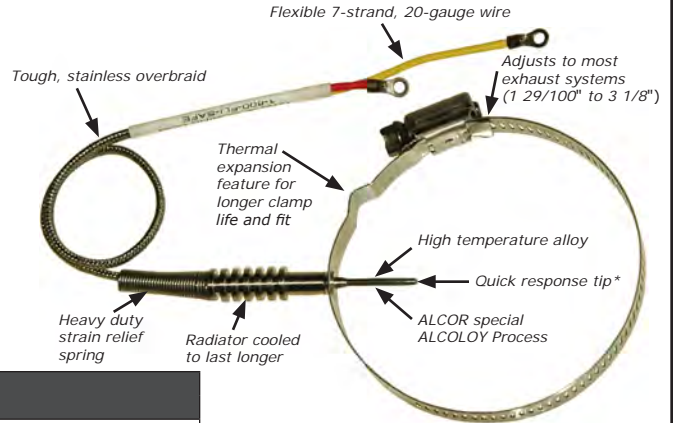
Converts a probe from normal to reverse stagger



Fiberglass Fire Sleeve

P/N 49297

Protects wires from engine and exhaust heat. 6" length



***Alcor probe tips are the smallest in the industry for the fastest response time**

CHT Thermocouple Probes

Includes fire sleeve and ring terminal hardware. Two different mount styles are available:

Bayonet Mount

These twist and lock into a screw-in adapter. The probe is spring loaded to ensure contact with metal instead of air. Choose bayonet style if the engine model is equipped with threaded thermowell receptor and/or bayonet adapter in the cylinders. (see below for adapter)

Gasket Mount

These do not require a screw-in adapter. The 18mm gasket fits on many common spark plugs. Some engine designs, such as radial engines, the O-235 and O-200, may prevent the use of bayonet style or may not allow for the use of a bayonet adapter. Choose gasket style if the engine model is NOT equipped with threaded thermowell receptor and/or bayonet adapter in the cylinders.



P/N 86251



P/N 86202



P/N 86252

P/N	Description	Thermocouple Type	Mount	Grounded or Ungrounded	Stagger	Resistance
86251	CHT Probe	J - Black and Yellow	Bayonet	Grounded	Normal	0.24 ± .05 Ω
86202	CHT Probe	J - Black and Yellow	Gasket, 18 mm	Grounded	Normal	0.13 + .16 Ω - .05 Ω
86252	CHT Probe	K - Red and Yellow	Bayonet	Grounded	Reverse	0.66 ± .10 Ω
86268	CHT Probe	K - Red and Yellow	Gasket, 18 mm	Grounded	Normal	0.60 ± .10 Ω
86268-2	CHT Probe	K - Red and Yellow	Gasket, 14 mm	Grounded	Normal	0.60 ± .10 Ω

1 Requires bayonet adapter P/N 28202 (see below). Screws directly into thermowell.

EGT and TIT Thermocouple Probes

Alcor EGT probes are accurate +/-25° at 1500°F. Includes fire sleeve and ring terminal hardware. Two different mount styles are available:

Screw-In Mount

This option provides the neatest installation. Many engines now come with a hole already threaded for a screw-in probe. If not, a threaded weld boss (P/N 28113) can be purchased to retrofit an engine. Alcor screw-in probes are available in 7/16"-20 UNF thread common in Continentals or 1/4"-18 NPT thread common in Lycomings. Some probes are available with adjustable depth to accommodate different weld boss heights. The probe tip should be 3/4" into the tube. Screw-in probes are also available with a 90° bend or an 8° bend to allow for an engine design that will not accommodate the straight-in style.



P/N 86143



P/N 86159



P/N 86160

P/N	Description	Thermocouple Type	Mount	Grounded or Ungrounded	Stagger	Resistance
86143	EGT/TIT Probe	K - Red and Yellow	Screw-In, 1/4" NPT	Grounded	Normal	0.89 ± .10 Ω
86160	EGT/TIT Probe	K - Red and Yellow	Screw-In, 7/16"-20	Grounded	Reverse	0.70 ± .10 Ω
86161	EGT/TIT Probe 90° Bend	K - Red and Yellow	Screw-In, 1/4" NPT	Grounded	Reverse	0.70 ± .10 Ω
86230	EGT/TIT Probe 8° Bend	K - Red and Yellow	Screw-In, 1/4" NPT	Grounded	Normal	0.89 ± .10 Ω
86240	EGT/TIT Probe	K - Red and Yellow	Screw-In, 7/16"-20	Grounded	Normal	0.80 ± .10 Ω
86245	EGT/TIT Probe, 11.56"	K - Red and Yellow	Screw-In, 7/16"-20	Grounded	Reverse	0.70 ± .10 Ω
86307	EGT/TIT Probe	K - Red and Yellow	Screw-In, 1/4" NPT	Ungrounded	Normal	0.71 ± .03 Ω
86308	EGT/TIT Probe	K - Red and Yellow	Screw-In, 7/16"-20	Ungrounded	Normal	0.71 ± .03 Ω
86309	EGT/TIT Probe, Long Lead	K - Red and Yellow	Screw-In, 7/16"-20	Ungrounded	Normal	1.60 Ω
86341	EGT/TIT Probe	K - Red and Yellow	Screw-In, 1/8" NPT	Ungrounded	N/A	0.94 ± .10 Ω

1 Adjustable depth tip
2 Built in radiator



P/N 86161



P/N 86230



P/N 86240



P/N 86245



P/N 86307



P/N 86308



P/N 86309



P/N 86341

Clamp Mount

This is the most common option because installation is easy and no welding is required. A hole is simply drilled in the exhaust near the mounting flange. The probe is inserted in the hole and a hose-clamp style clamp secures it in place. Clamps are available in various sizes to accommodate different sized exhaust tubes.

P/N	Description	Thermocouple Type	Mount	Grounded or Ungrounded	Stagger	Resistance
86226	EGT/TIT Probe	K - Red and Yellow	Clamp, 3 1/4" Max	Grounded	Reverse	0.70 ± .10 Ω
86255	EGT/TIT Probe	K - Red and Yellow	Clamp, 1 1/8" to 3 3/8"	Grounded	Normal	0.80 ± .10 Ω
86275	EGT/TIT Probe, 13.8"	K - Red and Yellow	Clamp, 3 1/4" Max	Grounded	Normal	0.80 ± .10 Ω
86281	EGT/TIT Probe	K - Red and Yellow	Clamp, 3 1/4" Max	Grounded	Normal	0.85 ± .10 Ω
86310	EGT/TIT Probe	K - Red and Yellow	Clamp, 2.35" Max	Ungrounded	Normal	1.60 Ω
86343	EGT/TIT Probe	K - Red and Yellow	Clamp, 3 1/4" Max	Ungrounded	Normal	0.80 Ω

2 Built in radiator

3 Omega style male plug connector. Does not include fire sleeve.

4 Connector hardware kit P/N 38094 contains 2 each Nuts, Washers and Screws. Can be purchased separately and is included with P/N 86255.



P/N 86255



P/N 86226



P/N 86281



P/N 86275



P/N 86343



P/N 86310

Weld Boss Plug

P/N 28204

- Screws into unused weld boss ports
- 7/16"-20 UNF thread



EGT/TIT Weld Boss

P/N 28113

- Weld to exhaust tube to use screw-in probes
- 7/16"-20 UNF thread



Copper Gasket

P/N 70354

Used as a seal with EGT/TIT Probe, P/N 86160 and Weld Boss, P/N 28113.



Stock

McFarlane has over 4,500 cable assemblies and chains in stock. We have FAA-PMA approved cables available in corrosion-resistant, high-strength steel for most 100/200 series Cessna aircraft, PA28, PA32 and PA34 series Piper aircraft and G-164 series Ag-Cat aircraft. McFarlane also stocks cables for single engine piston and many turbine and twin engine Beechcraft, and stabilator adjust cables for Piper J-3, PA-11, PA-12, PA-14, PA-16, PA-18, PA-18A, PA-20 and PA-22.

Quality

McFarlane aircraft flight control cables offer quality that is second to none in the aircraft industry. Our quality assurance procedures and personnel ensure that our aircraft flight control cables meet the highest standards possible. These standards exceed the military specifications that govern aircraft flight control cables.

Each McFarlane cable assembly is made from the highest quality U.S. manufactured materials from suppliers that have been listed by the U.S. government as being tested and qualified for government use (QPL listed). Before cable assemblies are accepted a sample from each lot is subjected to a test load equal to 100% of their rated minimum breaking strength and then destroyed. Each cable terminal swaged on a cable assembly is inspected for proper dimension. All assemblies produced are pre-stretched to eliminate rigging and growth changes after installation. In addition, each and every McFarlane cable assembly must endure a sustained proof load equal to 60% of the cable's minimum rated breaking strength assuring the safest and highest quality aircraft flight control cables available.

Custom Cables

Custom cable assemblies can be fabricated and certified to specification MIL-DTL-6117, or certified to your special specifications. Our custom cables with standard fittings are pre-stretched and proof loaded in accordance

with MIL-DTL-5688. Cables using nonstandard fittings are proof loaded and pre-stretched when possible, but cannot be certified to the MIL-DTL-5688 or MIL-DTL-6117 standards.

McFarlane can also manufacture and certify cable assemblies to the NAS302 through NAS310 standards. Cable assemblies requiring special non-standard terminals can be made to your data or old cable using our precision machine shop, inspection system, and quality controlled processes. Several industry standard corrosion preventative coatings are also available. Our experienced engineering staff is available to develop cables for unique applications.

Traceability of all materials and test reports are maintained for our custom cables.

Our extensive stock of cable and fittings allows us to quickly provide one to three day service for most orders. A custom cable design form is available on our website, or send us your old cable.

Custom assemblies are manufactured using the same materials and attention to quality as our FAA-PMA products, however, custom cables are not FAA-PMA approved.

Stainless Steel or Galvanized Steel Cable?

Stainless steel is corrosion resistant and works well in environments such as salt air, water saturation, or agricultural chemicals. Galvanized carbon steel and stainless cables are soaked in a MIL-SPEC rust preventative and lubricating compound. In normal environments, the galvanized cable will not suffer from corrosion damage for decades.

The advantages of galvanized cables are their wear resistance and cost. They resist abrasion wear about 5x longer than stainless steel.

Stainless steel wire is high in nickel, therefore softer than the carbon steel wire. Stainless steel cable will show signs of wire wear at pulleys and fairleads much quicker than the galvanized carbon steel wire.

We recommend using galvanized steel cables except in coastal geographical areas, agricultural aircraft, float planes, and other applications where the cable is exposed directly to water. **Only McFarlane has FAA-PMA approved galvanized cables for the new production Cessna aircraft.**

All Beechcraft cables are made from galvanized steel cable and coated with a modified MIL-PRF-16173 compound. This is the same process used on Beechcraft original cables. It provides additional corrosion protection beyond the standard MIL-SPEC rust preventive oil. This provides both exceptional wear resistance and corrosion protection for many years.

Bulk Cable

McFarlane buys certified cable in large quantities direct from the mill. This allows us to provide low prices on bulk cable.

McFarlane offers pre-packaged bulk cable in a variety of sizes. Cable can be ordered in 100 ft. or 500 ft. lengths. Certification from the cable manufacturer is given with every order.

Pulleys

McFarlane stocks all pulleys required for Cessna single engine aircraft. Our FAA-PMA approval on pulleys replace the AN, NAS and S series pulleys commonly used on Cessna aircraft. Pulley kits contain all the pulleys and cotter pins required for one aircraft.

Trim Control Chains

McFarlane offers the trim control chains for Cessna single engine and most Beechcraft aircraft. Don't forget to replace your trim control chains and connecting links where necessary!



Hardware

McFarlane stocks an extensive inventory of cable hardware. We offer terminals, turnbuckles, eye ends, sleeves, locking clips, barrels and balls. Let our purchasing volume save you money!

Buy Complete Kits and Save!

McFarlane has complete flight control cable and trim chain kits for many aircraft, including Cessna, Piper, and Beechcraft.

Most of the light aircraft fleet has seen many years of service and have endured many flight hours. Worn, rusty, and frayed cables are now common. It is a tedious, time consuming job to research the part manuals for all cables required for a complete aircraft. McFarlane has done the research and has all of the part numbers required for your aircraft.

We stock kits in either galvanized-carbon steel or stainless steel. All components are fully traceable and carry a one-year limited warranty.

Sub-System Kits Now Available!

Along with our complete kits, we now offer sub-system kits for many Cessna, Piper, and Beechcraft aircraft. Now you can easily replace all the cables in each sub-system: aileron, elevator, rudder, and flap!

We are one of a few DOD QML-6117 certified manufacturers of aircraft cable assemblies!

- McFarlane quality is second to none!
- Over 25 years of cable experience!
- Many cables available in galvanized and stainless steel
- Cables are sold in kits or separately
- When you order cable and cable terminals from McFarlane you will always receive a certified product!
- Our large volume purchases give you great prices!



Save \$\$\$ with
McFarlane
Cable Kits

Flight Control System

Flight Control Cables - Cessna



<p>120 1946-1947 S/N 8003 thru 12890 Complete Cable Kit P/N CCKT120-01G (Galvanized) Complete Cable Kit P/N CCKT120-01S (Stainless Steel) Complete Pulley Kit P/N PULL-KT-01*</p> <table border="1" style="width: 100%; border-collapse: collapse;"> <thead> <tr> <th>Qty</th> <th>P/N</th> <th>Galv</th> <th>SS</th> <th>Location</th> </tr> </thead> <tbody> <tr> <td colspan="5">Aileron Cable Kit</td> </tr> <tr> <td colspan="5">P/N CCKT-01G-AIL or CCKT-01S-AIL</td> </tr> <tr> <td>2</td> <td>MC0400107-1 or 1CS</td> <td></td> <td></td> <td>Aileron Direct</td> </tr> <tr> <td>1</td> <td>MC0400107-2 or 2CS</td> <td></td> <td></td> <td>Aileron Carry Thru</td> </tr> <tr> <td colspan="5">Elevator Cable Kit</td> </tr> <tr> <td colspan="5">P/N CCKT-01G-ELE or CCKT-01S-ELE</td> </tr> <tr> <td>1</td> <td>MC0400107-5 or 105</td> <td></td> <td></td> <td>Elevator Control Up</td> </tr> <tr> <td>1</td> <td>MC0400107-9 or 109</td> <td></td> <td></td> <td>Elevator Control Down</td> </tr> <tr> <td>1</td> <td>MC0400107-6²</td> <td></td> <td></td> <td>Elevator Trim Carry Thru</td> </tr> <tr> <td>1</td> <td>MC0400107-7 or 7S</td> <td></td> <td></td> <td>Elevator Trim Aft</td> </tr> <tr> <td>1</td> <td>MC0400107-8 or 8S</td> <td></td> <td></td> <td>Elevator Trim Forward</td> </tr> <tr> <td>2</td> <td>MCS2295-25-63</td> <td></td> <td></td> <td>Chain Elevator Trim</td> </tr> <tr> <td>4</td> <td>MCS2294-25</td> <td></td> <td></td> <td>Chain Connecting Link</td> </tr> <tr> <td colspan="5">Rudder Cable Kit</td> </tr> <tr> <td colspan="5">P/N CCKT-01G-RUD or CCKT-01S-RUD</td> </tr> <tr> <td>2</td> <td>MC0400107-4 or 104</td> <td></td> <td></td> <td>Rudder Control</td> </tr> </tbody> </table>	Qty	P/N	Galv	SS	Location	Aileron Cable Kit					P/N CCKT-01G-AIL or CCKT-01S-AIL					2	MC0400107-1 or 1CS			Aileron Direct	1	MC0400107-2 or 2CS			Aileron Carry Thru	Elevator Cable Kit					P/N CCKT-01G-ELE or CCKT-01S-ELE					1	MC0400107-5 or 105			Elevator Control Up	1	MC0400107-9 or 109			Elevator Control Down	1	MC0400107-6 ²			Elevator Trim Carry Thru	1	MC0400107-7 or 7S			Elevator Trim Aft	1	MC0400107-8 or 8S			Elevator Trim Forward	2	MCS2295-25-63			Chain Elevator Trim	4	MCS2294-25			Chain Connecting Link	Rudder Cable Kit					P/N CCKT-01G-RUD or CCKT-01S-RUD					2	MC0400107-4 or 104			Rudder Control	<p>140 1947-1949 S/N 12891 thru 15075 Complete Cable Kit P/N CCKT140-03G (Galvanized) Complete Cable Kit P/N CCKT140-03S (Stainless Steel) Complete Pulley Kit P/N PULL-KT-01*</p> <table border="1" style="width: 100%; border-collapse: collapse;"> <thead> <tr> <th>Qty</th> <th>P/N</th> <th>Galv</th> <th>SS</th> <th>Location</th> </tr> </thead> <tbody> <tr> <td colspan="5">Aileron Cable Kit</td> </tr> <tr> <td colspan="5">P/N CCKT-01G-AIL or CCKT-01S-AIL</td> </tr> <tr> <td>2</td> <td>MC0400107-1 or 1CS</td> <td></td> <td></td> <td>Aileron Direct</td> </tr> <tr> <td>1</td> <td>MC0400107-2 or 2CS</td> <td></td> <td></td> <td>Aileron Carry Thru</td> </tr> <tr> <td colspan="5">Elevator Cable Kit</td> </tr> <tr> <td colspan="5">P/N CCKT-02G-ELE or CCKT-02S-ELE</td> </tr> <tr> <td>1</td> <td>MC0400107-5 or 105</td> <td></td> <td></td> <td>Elevator Control Up</td> </tr> <tr> <td>1</td> <td>MC0400107-9 or 109</td> <td></td> <td></td> <td>Elevator Control Down</td> </tr> <tr> <td>1</td> <td>MC0400107-7 or 7S</td> <td></td> <td></td> <td>Elevator Trim Aft</td> </tr> <tr> <td>1</td> <td>MC0400107-8 or 8S</td> <td></td> <td></td> <td>Elevator Trim Forward</td> </tr> <tr> <td>1</td> <td>MC0400107-11 or 111</td> <td></td> <td></td> <td>Elevator Trim Carry Thru Fwd</td> </tr> <tr> <td>1</td> <td>MC0400107-12 or 12S</td> <td></td> <td></td> <td>Elevator Trim Carry Thru Aft</td> </tr> <tr> <td>2</td> <td>MCS2295-25-63</td> <td></td> <td></td> <td>Chain Elevator Trim</td> </tr> <tr> <td>4</td> <td>MCS2294-25</td> <td></td> <td></td> <td>Chain Connecting Link</td> </tr> <tr> <td colspan="5">Rudder Cable Kit</td> </tr> <tr> <td colspan="5">P/N CCKT-01G-RUD or CCKT-01S-RUD</td> </tr> <tr> <td>2</td> <td>MC0400107-4 or 104</td> <td></td> <td></td> <td>Rudder Control</td> </tr> <tr> <td>1</td> <td>MC0400107-10 or 10S</td> <td></td> <td></td> <td>Flap Control</td> </tr> </tbody> </table>	Qty	P/N	Galv	SS	Location	Aileron Cable Kit					P/N CCKT-01G-AIL or CCKT-01S-AIL					2	MC0400107-1 or 1CS			Aileron Direct	1	MC0400107-2 or 2CS			Aileron Carry Thru	Elevator Cable Kit					P/N CCKT-02G-ELE or CCKT-02S-ELE					1	MC0400107-5 or 105			Elevator Control Up	1	MC0400107-9 or 109			Elevator Control Down	1	MC0400107-7 or 7S			Elevator Trim Aft	1	MC0400107-8 or 8S			Elevator Trim Forward	1	MC0400107-11 or 111			Elevator Trim Carry Thru Fwd	1	MC0400107-12 or 12S			Elevator Trim Carry Thru Aft	2	MCS2295-25-63			Chain Elevator Trim	4	MCS2294-25			Chain Connecting Link	Rudder Cable Kit					P/N CCKT-01G-RUD or CCKT-01S-RUD					2	MC0400107-4 or 104			Rudder Control	1	MC0400107-10 or 10S			Flap Control	<p><i>Continued from previous column</i></p> <table border="1" style="width: 100%; border-collapse: collapse;"> <thead> <tr> <th>Qty</th> <th>P/N</th> <th>Galv</th> <th>SS</th> <th>Location</th> </tr> </thead> <tbody> <tr> <td>1</td> <td>MC0400107-30 or 130</td> <td></td> <td></td> <td>Trim Act to Turnbuckle</td> </tr> <tr> <td>2</td> <td>MCS2295P25-69</td> <td></td> <td></td> <td>Elevator Trim Chain</td> </tr> <tr> <td>4</td> <td>MCS2294-25</td> <td></td> <td></td> <td>Chain Connecting Link</td> </tr> <tr> <td colspan="5">Flap Cable Kit</td> </tr> <tr> <td colspan="5">P/N CCKT-02G-FLP or CCKT-02S-FLP</td> </tr> <tr> <td>1</td> <td>MC0400107-22 or 122</td> <td></td> <td></td> <td>Flap Extend Forward</td> </tr> <tr> <td>1</td> <td>MC0400107-23 or 123</td> <td></td> <td></td> <td>Flap Retract Forward</td> </tr> <tr> <td>2</td> <td>MC0400107-34 or 134</td> <td></td> <td></td> <td>Flap Extend LH</td> </tr> <tr> <td>1</td> <td>MC0400107-26 or 126</td> <td></td> <td></td> <td>Flap Retract</td> </tr> <tr> <td>1</td> <td>MC0400107-33 or 133</td> <td></td> <td></td> <td>Flap Retract LH</td> </tr> <tr> <td colspan="5">Rudder Cable Kit</td> </tr> <tr> <td colspan="5">P/N CCKT-01G-RUD or CCKT-01S-RUD</td> </tr> <tr> <td>2</td> <td>MC0400107-4 or 104</td> <td></td> <td></td> <td>Rudder Control</td> </tr> </tbody> </table>	Qty	P/N	Galv	SS	Location	1	MC0400107-30 or 130			Trim Act to Turnbuckle	2	MCS2295P25-69			Elevator Trim Chain	4	MCS2294-25			Chain Connecting Link	Flap Cable Kit					P/N CCKT-02G-FLP or CCKT-02S-FLP					1	MC0400107-22 or 122			Flap Extend Forward	1	MC0400107-23 or 123			Flap Retract Forward	2	MC0400107-34 or 134			Flap Extend LH	1	MC0400107-26 or 126			Flap Retract	1	MC0400107-33 or 133			Flap Retract LH	Rudder Cable Kit					P/N CCKT-01G-RUD or CCKT-01S-RUD					2	MC0400107-4 or 104			Rudder Control																																																																																					
Qty	P/N	Galv	SS	Location																																																																																																																																																																																																																																																																																																																																													
Aileron Cable Kit																																																																																																																																																																																																																																																																																																																																																	
P/N CCKT-01G-AIL or CCKT-01S-AIL																																																																																																																																																																																																																																																																																																																																																	
2	MC0400107-1 or 1CS			Aileron Direct																																																																																																																																																																																																																																																																																																																																													
1	MC0400107-2 or 2CS			Aileron Carry Thru																																																																																																																																																																																																																																																																																																																																													
Elevator Cable Kit																																																																																																																																																																																																																																																																																																																																																	
P/N CCKT-01G-ELE or CCKT-01S-ELE																																																																																																																																																																																																																																																																																																																																																	
1	MC0400107-5 or 105			Elevator Control Up																																																																																																																																																																																																																																																																																																																																													
1	MC0400107-9 or 109			Elevator Control Down																																																																																																																																																																																																																																																																																																																																													
1	MC0400107-6 ²			Elevator Trim Carry Thru																																																																																																																																																																																																																																																																																																																																													
1	MC0400107-7 or 7S			Elevator Trim Aft																																																																																																																																																																																																																																																																																																																																													
1	MC0400107-8 or 8S			Elevator Trim Forward																																																																																																																																																																																																																																																																																																																																													
2	MCS2295-25-63			Chain Elevator Trim																																																																																																																																																																																																																																																																																																																																													
4	MCS2294-25			Chain Connecting Link																																																																																																																																																																																																																																																																																																																																													
Rudder Cable Kit																																																																																																																																																																																																																																																																																																																																																	
P/N CCKT-01G-RUD or CCKT-01S-RUD																																																																																																																																																																																																																																																																																																																																																	
2	MC0400107-4 or 104			Rudder Control																																																																																																																																																																																																																																																																																																																																													
Qty	P/N	Galv	SS	Location																																																																																																																																																																																																																																																																																																																																													
Aileron Cable Kit																																																																																																																																																																																																																																																																																																																																																	
P/N CCKT-01G-AIL or CCKT-01S-AIL																																																																																																																																																																																																																																																																																																																																																	
2	MC0400107-1 or 1CS			Aileron Direct																																																																																																																																																																																																																																																																																																																																													
1	MC0400107-2 or 2CS			Aileron Carry Thru																																																																																																																																																																																																																																																																																																																																													
Elevator Cable Kit																																																																																																																																																																																																																																																																																																																																																	
P/N CCKT-02G-ELE or CCKT-02S-ELE																																																																																																																																																																																																																																																																																																																																																	
1	MC0400107-5 or 105			Elevator Control Up																																																																																																																																																																																																																																																																																																																																													
1	MC0400107-9 or 109			Elevator Control Down																																																																																																																																																																																																																																																																																																																																													
1	MC0400107-7 or 7S			Elevator Trim Aft																																																																																																																																																																																																																																																																																																																																													
1	MC0400107-8 or 8S			Elevator Trim Forward																																																																																																																																																																																																																																																																																																																																													
1	MC0400107-11 or 111			Elevator Trim Carry Thru Fwd																																																																																																																																																																																																																																																																																																																																													
1	MC0400107-12 or 12S			Elevator Trim Carry Thru Aft																																																																																																																																																																																																																																																																																																																																													
2	MCS2295-25-63			Chain Elevator Trim																																																																																																																																																																																																																																																																																																																																													
4	MCS2294-25			Chain Connecting Link																																																																																																																																																																																																																																																																																																																																													
Rudder Cable Kit																																																																																																																																																																																																																																																																																																																																																	
P/N CCKT-01G-RUD or CCKT-01S-RUD																																																																																																																																																																																																																																																																																																																																																	
2	MC0400107-4 or 104			Rudder Control																																																																																																																																																																																																																																																																																																																																													
1	MC0400107-10 or 10S			Flap Control																																																																																																																																																																																																																																																																																																																																													
Qty	P/N	Galv	SS	Location																																																																																																																																																																																																																																																																																																																																													
1	MC0400107-30 or 130			Trim Act to Turnbuckle																																																																																																																																																																																																																																																																																																																																													
2	MCS2295P25-69			Elevator Trim Chain																																																																																																																																																																																																																																																																																																																																													
4	MCS2294-25			Chain Connecting Link																																																																																																																																																																																																																																																																																																																																													
Flap Cable Kit																																																																																																																																																																																																																																																																																																																																																	
P/N CCKT-02G-FLP or CCKT-02S-FLP																																																																																																																																																																																																																																																																																																																																																	
1	MC0400107-22 or 122			Flap Extend Forward																																																																																																																																																																																																																																																																																																																																													
1	MC0400107-23 or 123			Flap Retract Forward																																																																																																																																																																																																																																																																																																																																													
2	MC0400107-34 or 134			Flap Extend LH																																																																																																																																																																																																																																																																																																																																													
1	MC0400107-26 or 126			Flap Retract																																																																																																																																																																																																																																																																																																																																													
1	MC0400107-33 or 133			Flap Retract LH																																																																																																																																																																																																																																																																																																																																													
Rudder Cable Kit																																																																																																																																																																																																																																																																																																																																																	
P/N CCKT-01G-RUD or CCKT-01S-RUD																																																																																																																																																																																																																																																																																																																																																	
2	MC0400107-4 or 104			Rudder Control																																																																																																																																																																																																																																																																																																																																													
<p>120 1947-1949 S/N 12891 thru 15075 Complete Cable Kit P/N CCKT120-02G (Galvanized) Complete Cable Kit P/N CCKT120-02S (Stainless Steel) Complete Pulley Kit P/N PULL-KT-01*</p> <table border="1" style="width: 100%; border-collapse: collapse;"> <thead> <tr> <th>Qty</th> <th>P/N</th> <th>Galv</th> <th>SS</th> <th>Location</th> </tr> </thead> <tbody> <tr> <td colspan="5">Aileron Cable Kit</td> </tr> <tr> <td colspan="5">P/N CCKT-01G-AIL or CCKT-01S-AIL</td> </tr> <tr> <td>2</td> <td>MC0400107-1 or 1CS</td> <td></td> <td></td> <td>Aileron Direct</td> </tr> <tr> <td>1</td> <td>MC0400107-2 or 2CS</td> <td></td> <td></td> <td>Aileron Carry Thru</td> </tr> <tr> <td colspan="5">Elevator Cable Kit</td> </tr> <tr> <td colspan="5">P/N CCKT-02G-ELE or CCKT-02S-ELE</td> </tr> <tr> <td>1</td> <td>MC0400107-5 or 105</td> <td></td> <td></td> <td>Elevator Control Up</td> </tr> <tr> <td>1</td> <td>MC0400107-9 or 109</td> <td></td> <td></td> <td>Elevator Control Down</td> </tr> <tr> <td>1</td> <td>MC0400107-7 or 7S</td> <td></td> <td></td> <td>Elevator Trim Aft</td> </tr> <tr> <td>1</td> <td>MC0400107-8 or 8S</td> <td></td> <td></td> <td>Elev Trim Forward</td> </tr> <tr> <td>1</td> <td>MC0400107-11 or 111</td> <td></td> <td></td> <td>Elev Trim Carry Thru Forward</td> </tr> <tr> <td>1</td> <td>MC0400107-12 or 12S</td> <td></td> <td></td> <td>Elev Trim Carry Thru Aft</td> </tr> <tr> <td>2</td> <td>MCS2295-25-63</td> <td></td> <td></td> <td>Chain Elevator Trim</td> </tr> <tr> <td>4</td> <td>MCS2294-25</td> <td></td> <td></td> <td>Chain Connecting Link</td> </tr> <tr> <td colspan="5">Rudder Cable Kit</td> </tr> <tr> <td colspan="5">P/N CCKT-01G-RUD or CCKT-01S-RUD</td> </tr> <tr> <td>2</td> <td>MC0400107-4 or 104</td> <td></td> <td></td> <td>Rudder Control</td> </tr> </tbody> </table>	Qty	P/N	Galv	SS	Location	Aileron Cable Kit					P/N CCKT-01G-AIL or CCKT-01S-AIL					2	MC0400107-1 or 1CS			Aileron Direct	1	MC0400107-2 or 2CS			Aileron Carry Thru	Elevator Cable Kit					P/N CCKT-02G-ELE or CCKT-02S-ELE					1	MC0400107-5 or 105			Elevator Control Up	1	MC0400107-9 or 109			Elevator Control Down	1	MC0400107-7 or 7S			Elevator Trim Aft	1	MC0400107-8 or 8S			Elev Trim Forward	1	MC0400107-11 or 111			Elev Trim Carry Thru Forward	1	MC0400107-12 or 12S			Elev Trim Carry Thru Aft	2	MCS2295-25-63			Chain Elevator Trim	4	MCS2294-25			Chain Connecting Link	Rudder Cable Kit					P/N CCKT-01G-RUD or CCKT-01S-RUD					2	MC0400107-4 or 104			Rudder Control	<p>140A 1949-1951 S/N 15200 thru 15724 Complete Cable Kit P/N CCKT140-04G (Galvanized) Complete Cable Kit P/N CCKT140-04S (Stainless Steel) Complete Pulley Kit P/N PULL-KT-02*</p> <table border="1" style="width: 100%; border-collapse: collapse;"> <thead> <tr> <th>Qty</th> <th>P/N</th> <th>Galv</th> <th>SS</th> <th>Location</th> </tr> </thead> <tbody> <tr> <td colspan="5">Aileron Cable Kit</td> </tr> <tr> <td colspan="5">P/N CCKT-02G-AIL or CCKT-02S-AIL</td> </tr> <tr> <td>1</td> <td>MC0400107-18 or 118</td> <td></td> <td></td> <td>Aileron Carry Thru</td> </tr> <tr> <td>2</td> <td>MC0400107-17 or 117</td> <td></td> <td></td> <td>Aileron Direct</td> </tr> <tr> <td colspan="5">Elevator Cable Kit</td> </tr> <tr> <td colspan="5">P/N CCKT-03G-ELE or CCKT-03S-ELE</td> </tr> <tr> <td>1</td> <td>MC0400107-5 or 105</td> <td></td> <td></td> <td>Elevator Control Up</td> </tr> <tr> <td>1</td> <td>MC0400107-9 or 109</td> <td></td> <td></td> <td>Elevator Control Down</td> </tr> <tr> <td>1</td> <td>MC0400107-11 or 111</td> <td></td> <td></td> <td>Elevator Trim Carry Thru Fwd</td> </tr> <tr> <td>1</td> <td>MC0400107-12 or 12S</td> <td></td> <td></td> <td>Elevator Trim Carry Thru Aft</td> </tr> <tr> <td>1</td> <td>MC0400107-13 or 113</td> <td></td> <td></td> <td>Elevator Trim Aft</td> </tr> <tr> <td>1</td> <td>MC0400107-14 or 114</td> <td></td> <td></td> <td>Elevator Trim Forward</td> </tr> <tr> <td>2</td> <td>MCS2295-25-63</td> <td></td> <td></td> <td>Chain Elevator Trim</td> </tr> <tr> <td>4</td> <td>MCS2294-25</td> <td></td> <td></td> <td>Chain Connecting Link</td> </tr> <tr> <td colspan="5">Rudder Cable Kit</td> </tr> <tr> <td colspan="5">P/N CCKT-01G-RUD or CCKT-01S-RUD</td> </tr> <tr> <td>2</td> <td>MC0400107-4 or 104</td> <td></td> <td></td> <td>Rudder Control</td> </tr> <tr> <td>1</td> <td>MC0400107-10 or 10S</td> <td></td> <td></td> <td>Flap Control</td> </tr> </tbody> </table>	Qty	P/N	Galv	SS	Location	Aileron Cable Kit					P/N CCKT-02G-AIL or CCKT-02S-AIL					1	MC0400107-18 or 118			Aileron Carry Thru	2	MC0400107-17 or 117			Aileron Direct	Elevator Cable Kit					P/N CCKT-03G-ELE or CCKT-03S-ELE					1	MC0400107-5 or 105			Elevator Control Up	1	MC0400107-9 or 109			Elevator Control Down	1	MC0400107-11 or 111			Elevator Trim Carry Thru Fwd	1	MC0400107-12 or 12S			Elevator Trim Carry Thru Aft	1	MC0400107-13 or 113			Elevator Trim Aft	1	MC0400107-14 or 114			Elevator Trim Forward	2	MCS2295-25-63			Chain Elevator Trim	4	MCS2294-25			Chain Connecting Link	Rudder Cable Kit					P/N CCKT-01G-RUD or CCKT-01S-RUD					2	MC0400107-4 or 104			Rudder Control	1	MC0400107-10 or 10S			Flap Control	<p>150 1959-1960 S/N 17559 thru 59018 Complete Cable Kit P/N CCKT150-03G (Galvanized) Complete Cable Kit P/N CCKT150-03S (Stainless Steel) Complete Pulley Kit P/N PULL-KT-03*</p> <table border="1" style="width: 100%; border-collapse: collapse;"> <thead> <tr> <th>Qty</th> <th>P/N</th> <th>Galv</th> <th>SS</th> <th>Location</th> </tr> </thead> <tbody> <tr> <td colspan="5">Aileron Cable Kit</td> </tr> <tr> <td colspan="5">P/N CCKT-03G-AIL or CCKT-03S-AIL</td> </tr> <tr> <td>2</td> <td>MC0400107-31 or 131</td> <td></td> <td></td> <td>Aileron Direct</td> </tr> <tr> <td>1</td> <td>MC0400107-21 or 121</td> <td></td> <td></td> <td>Aileron Carry Thru</td> </tr> <tr> <td>4</td> <td>MC0422280</td> <td></td> <td></td> <td>Aileron Bellcrank Bushing</td> </tr> <tr> <td colspan="5">Elevator Cable Kit</td> </tr> <tr> <td colspan="5">P/N CCKT-04G-ELE or CCKT-04S-ELE</td> </tr> <tr> <td>1</td> <td>MC0400107-5 or 105</td> <td></td> <td></td> <td>Elevator Up</td> </tr> <tr> <td>1</td> <td>MC0400107-9 or 109</td> <td></td> <td></td> <td>Elevator Down</td> </tr> <tr> <td>1</td> <td>MC0400107-11 or 111</td> <td></td> <td></td> <td>Trim Wheel to Disconnect</td> </tr> <tr> <td>1</td> <td>MC0400107-29 or 129</td> <td></td> <td></td> <td>Trim Wheel to Turnbuckle</td> </tr> <tr> <td>1</td> <td>MC0400107-28 or 128</td> <td></td> <td></td> <td>Trim Act to Disconnect</td> </tr> <tr> <td>1</td> <td>MC0400107-30 or 130</td> <td></td> <td></td> <td>Trim Act to Turnbuckle</td> </tr> <tr> <td>2</td> <td>MCS2295P25-69</td> <td></td> <td></td> <td>Elevator Trim Chain</td> </tr> <tr> <td>4</td> <td>MCS2294-25</td> <td></td> <td></td> <td>Chain Connecting Link</td> </tr> <tr> <td colspan="5">Flap Cable Kit</td> </tr> <tr> <td colspan="5">P/N CCKT-03G-FLP or CCKT-03S-FLP</td> </tr> <tr> <td>1</td> <td>MC0400107-22 or 122</td> <td></td> <td></td> <td>Flap Extend Forward</td> </tr> <tr> <td>1</td> <td>MC0400107-23 or 123</td> <td></td> <td></td> <td>Flap Retract Forward</td> </tr> <tr> <td>2</td> <td>MC0400107-34 or 134</td> <td></td> <td></td> <td>Flap Extend LH</td> </tr> <tr> <td>2</td> <td>MC0400107-33 or 133</td> <td></td> <td></td> <td>Flap Retract LH</td> </tr> <tr> <td colspan="5">Rudder Cable Kit</td> </tr> <tr> <td colspan="5">P/N CCKT-01G-RUD or CCKT-01S-RUD</td> </tr> <tr> <td>2</td> <td>MC0400107-4 or 104</td> <td></td> <td></td> <td>Rudder Control</td> </tr> </tbody> </table>	Qty	P/N	Galv	SS	Location	Aileron Cable Kit					P/N CCKT-03G-AIL or CCKT-03S-AIL					2	MC0400107-31 or 131			Aileron Direct	1	MC0400107-21 or 121			Aileron Carry Thru	4	MC0422280			Aileron Bellcrank Bushing	Elevator Cable Kit					P/N CCKT-04G-ELE or CCKT-04S-ELE					1	MC0400107-5 or 105			Elevator Up	1	MC0400107-9 or 109			Elevator Down	1	MC0400107-11 or 111			Trim Wheel to Disconnect	1	MC0400107-29 or 129			Trim Wheel to Turnbuckle	1	MC0400107-28 or 128			Trim Act to Disconnect	1	MC0400107-30 or 130			Trim Act to Turnbuckle	2	MCS2295P25-69			Elevator Trim Chain	4	MCS2294-25			Chain Connecting Link	Flap Cable Kit					P/N CCKT-03G-FLP or CCKT-03S-FLP					1	MC0400107-22 or 122			Flap Extend Forward	1	MC0400107-23 or 123			Flap Retract Forward	2	MC0400107-34 or 134			Flap Extend LH	2	MC0400107-33 or 133			Flap Retract LH	Rudder Cable Kit					P/N CCKT-01G-RUD or CCKT-01S-RUD					2	MC0400107-4 or 104			Rudder Control																									
Qty	P/N	Galv	SS	Location																																																																																																																																																																																																																																																																																																																																													
Aileron Cable Kit																																																																																																																																																																																																																																																																																																																																																	
P/N CCKT-01G-AIL or CCKT-01S-AIL																																																																																																																																																																																																																																																																																																																																																	
2	MC0400107-1 or 1CS			Aileron Direct																																																																																																																																																																																																																																																																																																																																													
1	MC0400107-2 or 2CS			Aileron Carry Thru																																																																																																																																																																																																																																																																																																																																													
Elevator Cable Kit																																																																																																																																																																																																																																																																																																																																																	
P/N CCKT-02G-ELE or CCKT-02S-ELE																																																																																																																																																																																																																																																																																																																																																	
1	MC0400107-5 or 105			Elevator Control Up																																																																																																																																																																																																																																																																																																																																													
1	MC0400107-9 or 109			Elevator Control Down																																																																																																																																																																																																																																																																																																																																													
1	MC0400107-7 or 7S			Elevator Trim Aft																																																																																																																																																																																																																																																																																																																																													
1	MC0400107-8 or 8S			Elev Trim Forward																																																																																																																																																																																																																																																																																																																																													
1	MC0400107-11 or 111			Elev Trim Carry Thru Forward																																																																																																																																																																																																																																																																																																																																													
1	MC0400107-12 or 12S			Elev Trim Carry Thru Aft																																																																																																																																																																																																																																																																																																																																													
2	MCS2295-25-63			Chain Elevator Trim																																																																																																																																																																																																																																																																																																																																													
4	MCS2294-25			Chain Connecting Link																																																																																																																																																																																																																																																																																																																																													
Rudder Cable Kit																																																																																																																																																																																																																																																																																																																																																	
P/N CCKT-01G-RUD or CCKT-01S-RUD																																																																																																																																																																																																																																																																																																																																																	
2	MC0400107-4 or 104			Rudder Control																																																																																																																																																																																																																																																																																																																																													
Qty	P/N	Galv	SS	Location																																																																																																																																																																																																																																																																																																																																													
Aileron Cable Kit																																																																																																																																																																																																																																																																																																																																																	
P/N CCKT-02G-AIL or CCKT-02S-AIL																																																																																																																																																																																																																																																																																																																																																	
1	MC0400107-18 or 118			Aileron Carry Thru																																																																																																																																																																																																																																																																																																																																													
2	MC0400107-17 or 117			Aileron Direct																																																																																																																																																																																																																																																																																																																																													
Elevator Cable Kit																																																																																																																																																																																																																																																																																																																																																	
P/N CCKT-03G-ELE or CCKT-03S-ELE																																																																																																																																																																																																																																																																																																																																																	
1	MC0400107-5 or 105			Elevator Control Up																																																																																																																																																																																																																																																																																																																																													
1	MC0400107-9 or 109			Elevator Control Down																																																																																																																																																																																																																																																																																																																																													
1	MC0400107-11 or 111			Elevator Trim Carry Thru Fwd																																																																																																																																																																																																																																																																																																																																													
1	MC0400107-12 or 12S			Elevator Trim Carry Thru Aft																																																																																																																																																																																																																																																																																																																																													
1	MC0400107-13 or 113			Elevator Trim Aft																																																																																																																																																																																																																																																																																																																																													
1	MC0400107-14 or 114			Elevator Trim Forward																																																																																																																																																																																																																																																																																																																																													
2	MCS2295-25-63			Chain Elevator Trim																																																																																																																																																																																																																																																																																																																																													
4	MCS2294-25			Chain Connecting Link																																																																																																																																																																																																																																																																																																																																													
Rudder Cable Kit																																																																																																																																																																																																																																																																																																																																																	
P/N CCKT-01G-RUD or CCKT-01S-RUD																																																																																																																																																																																																																																																																																																																																																	
2	MC0400107-4 or 104			Rudder Control																																																																																																																																																																																																																																																																																																																																													
1	MC0400107-10 or 10S			Flap Control																																																																																																																																																																																																																																																																																																																																													
Qty	P/N	Galv	SS	Location																																																																																																																																																																																																																																																																																																																																													
Aileron Cable Kit																																																																																																																																																																																																																																																																																																																																																	
P/N CCKT-03G-AIL or CCKT-03S-AIL																																																																																																																																																																																																																																																																																																																																																	
2	MC0400107-31 or 131			Aileron Direct																																																																																																																																																																																																																																																																																																																																													
1	MC0400107-21 or 121			Aileron Carry Thru																																																																																																																																																																																																																																																																																																																																													
4	MC0422280			Aileron Bellcrank Bushing																																																																																																																																																																																																																																																																																																																																													
Elevator Cable Kit																																																																																																																																																																																																																																																																																																																																																	
P/N CCKT-04G-ELE or CCKT-04S-ELE																																																																																																																																																																																																																																																																																																																																																	
1	MC0400107-5 or 105			Elevator Up																																																																																																																																																																																																																																																																																																																																													
1	MC0400107-9 or 109			Elevator Down																																																																																																																																																																																																																																																																																																																																													
1	MC0400107-11 or 111			Trim Wheel to Disconnect																																																																																																																																																																																																																																																																																																																																													
1	MC0400107-29 or 129			Trim Wheel to Turnbuckle																																																																																																																																																																																																																																																																																																																																													
1	MC0400107-28 or 128			Trim Act to Disconnect																																																																																																																																																																																																																																																																																																																																													
1	MC0400107-30 or 130			Trim Act to Turnbuckle																																																																																																																																																																																																																																																																																																																																													
2	MCS2295P25-69			Elevator Trim Chain																																																																																																																																																																																																																																																																																																																																													
4	MCS2294-25			Chain Connecting Link																																																																																																																																																																																																																																																																																																																																													
Flap Cable Kit																																																																																																																																																																																																																																																																																																																																																	
P/N CCKT-03G-FLP or CCKT-03S-FLP																																																																																																																																																																																																																																																																																																																																																	
1	MC0400107-22 or 122			Flap Extend Forward																																																																																																																																																																																																																																																																																																																																													
1	MC0400107-23 or 123			Flap Retract Forward																																																																																																																																																																																																																																																																																																																																													
2	MC0400107-34 or 134			Flap Extend LH																																																																																																																																																																																																																																																																																																																																													
2	MC0400107-33 or 133			Flap Retract LH																																																																																																																																																																																																																																																																																																																																													
Rudder Cable Kit																																																																																																																																																																																																																																																																																																																																																	
P/N CCKT-01G-RUD or CCKT-01S-RUD																																																																																																																																																																																																																																																																																																																																																	
2	MC0400107-4 or 104			Rudder Control																																																																																																																																																																																																																																																																																																																																													
<p>140 1946 S/N 8004 thru 10069 Complete Cable Kit P/N CCKT140-01G (Galvanized) Complete Cable Kit P/N CCKT140-01S (Stainless Steel) Complete Pulley Kit P/N PULL-KT-01*</p> <table border="1" style="width: 100%; border-collapse: collapse;"> <thead> <tr> <th>Qty</th> <th>P/N</th> <th>Galv</th> <th>SS</th> <th>Location</th> </tr> </thead> <tbody> <tr> <td colspan="5">Aileron Cable Kit</td> </tr> <tr> <td colspan="5">P/N CCKT-01G-AIL or CCKT-01S-AIL</td> </tr> <tr> <td>2</td> <td>MC0400107-1 or 1CS</td> <td></td> <td></td> <td>Aileron Direct</td> </tr> <tr> <td>1</td> <td>MC0400107-2 or 2CS</td> <td></td> <td></td> <td>Aileron Carry Thru</td> </tr> <tr> <td colspan="5">Elevator Cable Kit</td> </tr> <tr> <td colspan="5">P/N CCKT-01G-ELE or CCKT-01S-ELE</td> </tr> <tr> <td>1</td> <td>MC0400107-5 or 105</td> <td></td> <td></td> <td>Elevator Control Up</td> </tr> <tr> <td>1</td> <td>MC0400107-9 or 109</td> <td></td> <td></td> <td>Elevator Control Down</td> </tr> <tr> <td>1</td> <td>MC0400107-6²</td> <td></td> <td></td> <td>Elevator Trim Carry Thru</td> </tr> <tr> <td>1</td> <td>MC0400107-7 or 7S</td> <td></td> <td></td> <td>Elevator Trim Aft</td> </tr> <tr> <td>1</td> <td>MC0400107-8 or 8S</td> <td></td> <td></td> <td>Elevator Trim Forward</td> </tr> <tr> <td>2</td> <td>MCS2295-25-63</td> <td></td> <td></td> <td>Chain Elevator Trim</td> </tr> <tr> <td>4</td> <td>MCS2294-25</td> <td></td> <td></td> <td>Chain Connecting Link</td> </tr> <tr> <td colspan="5">Rudder Cable Kit</td> </tr> <tr> <td colspan="5">P/N CCKT-01G-RUD or CCKT-01S-RUD</td> </tr> <tr> <td>2</td> <td>MC0400107-4 or 104</td> <td></td> <td></td> <td>Rudder Control</td> </tr> </tbody> </table>	Qty	P/N	Galv	SS	Location	Aileron Cable Kit					P/N CCKT-01G-AIL or CCKT-01S-AIL					2	MC0400107-1 or 1CS			Aileron Direct	1	MC0400107-2 or 2CS			Aileron Carry Thru	Elevator Cable Kit					P/N CCKT-01G-ELE or CCKT-01S-ELE					1	MC0400107-5 or 105			Elevator Control Up	1	MC0400107-9 or 109			Elevator Control Down	1	MC0400107-6 ²			Elevator Trim Carry Thru	1	MC0400107-7 or 7S			Elevator Trim Aft	1	MC0400107-8 or 8S			Elevator Trim Forward	2	MCS2295-25-63			Chain Elevator Trim	4	MCS2294-25			Chain Connecting Link	Rudder Cable Kit					P/N CCKT-01G-RUD or CCKT-01S-RUD					2	MC0400107-4 or 104			Rudder Control	<p>150 1959 S/N 17001 thru 17438 Complete Cable Kit P/N CCKT150-01G (Galvanized) Complete Cable Kit P/N CCKT150-01S (Stainless Steel) Complete Pulley Kit P/N PULL-KT-03*</p> <table border="1" style="width: 100%; border-collapse: collapse;"> <thead> <tr> <th>Qty</th> <th>P/N</th> <th>Galv</th> <th>SS</th> <th>Location</th> </tr> </thead> <tbody> <tr> <td colspan="5">Aileron Cable Kit</td> </tr> <tr> <td colspan="5">P/N CCKT-03G-AIL or CCKT-03S-AIL</td> </tr> <tr> <td>2</td> <td>MC0400107-31 or 131</td> <td></td> <td></td> <td>Aileron Direct</td> </tr> <tr> <td>1</td> <td>MC0400107-21 or 121</td> <td></td> <td></td> <td>Aileron Carry Thru</td> </tr> <tr> <td>4</td> <td>MC0422280</td> <td></td> <td></td> <td>Aileron Bellcrank Bushing</td> </tr> <tr> <td colspan="5">Elevator Cable Kit</td> </tr> <tr> <td colspan="5">P/N CCKT-04G-ELE or CCKT-04S-ELE</td> </tr> <tr> <td>1</td> <td>MC0400107-5 or 105</td> <td></td> <td></td> <td>Elevator Up</td> </tr> <tr> <td>1</td> <td>MC0400107-9 or 109</td> <td></td> <td></td> <td>Elevator Down</td> </tr> <tr> <td>1</td> <td>MC0400107-11 or 111</td> <td></td> <td></td> <td>Trim Wheel to Disconnect</td> </tr> <tr> <td>1</td> <td>MC0400107-29 or 129</td> <td></td> <td></td> <td>Trim Wheel to Turnbuckle</td> </tr> <tr> <td>1</td> <td>MC0400107-28 or 128</td> <td></td> <td></td> <td>Trim Act to Disconnect</td> </tr> <tr> <td>1</td> <td>MC0400107-30 or 130</td> <td></td> <td></td> <td>Trim Act to Turnbuckle</td> </tr> <tr> <td>2</td> <td>MCS2295P25-69</td> <td></td> <td></td> <td>Elevator Trim Chain</td> </tr> <tr> <td>4</td> <td>MCS2294-25</td> <td></td> <td></td> <td>Chain Connecting Link</td> </tr> <tr> <td colspan="5">Flap Cable Kit</td> </tr> <tr> <td colspan="5">P/N CCKT-01G-FLP or CCKT-01S-FLP</td> </tr> <tr> <td>1</td> <td>MC0400107-22 or 122</td> <td></td> <td></td> <td>Flap Extend Forward</td> </tr> <tr> <td>1</td> <td>MC0400107-23 or 123</td> <td></td> <td></td> <td>Flap Retract Forward</td> </tr> <tr> <td>2</td> <td>MC0400107-34 or 134</td> <td></td> <td></td> <td>Flap Extend LH</td> </tr> <tr> <td>2</td> <td>MC0400107-26 or 126</td> <td></td> <td></td> <td>Flap Retract</td> </tr> <tr> <td colspan="5">Rudder Cable Kit</td> </tr> <tr> <td colspan="5">P/N CCKT-01G-RUD or CCKT-01S-RUD</td> </tr> <tr> <td>2</td> <td>MC0400107-4 or 104</td> <td></td> <td></td> <td>Rudder Control</td> </tr> </tbody> </table>	Qty	P/N	Galv	SS	Location	Aileron Cable Kit					P/N CCKT-03G-AIL or CCKT-03S-AIL					2	MC0400107-31 or 131			Aileron Direct	1	MC0400107-21 or 121			Aileron Carry Thru	4	MC0422280			Aileron Bellcrank Bushing	Elevator Cable Kit					P/N CCKT-04G-ELE or CCKT-04S-ELE					1	MC0400107-5 or 105			Elevator Up	1	MC0400107-9 or 109			Elevator Down	1	MC0400107-11 or 111			Trim Wheel to Disconnect	1	MC0400107-29 or 129			Trim Wheel to Turnbuckle	1	MC0400107-28 or 128			Trim Act to Disconnect	1	MC0400107-30 or 130			Trim Act to Turnbuckle	2	MCS2295P25-69			Elevator Trim Chain	4	MCS2294-25			Chain Connecting Link	Flap Cable Kit					P/N CCKT-01G-FLP or CCKT-01S-FLP					1	MC0400107-22 or 122			Flap Extend Forward	1	MC0400107-23 or 123			Flap Retract Forward	2	MC0400107-34 or 134			Flap Extend LH	2	MC0400107-26 or 126			Flap Retract	Rudder Cable Kit					P/N CCKT-01G-RUD or CCKT-01S-RUD					2	MC0400107-4 or 104			Rudder Control	<p>150A,B,C 1961-1963 S/N 15059019 thru 15060087 Complete Cable Kit P/N CCKT150-04G (Galvanized) Complete Cable Kit P/N CCKT150-04S (Stainless Steel) Complete Pulley Kit P/N PULL-KT-04*</p> <table border="1" style="width: 100%; border-collapse: collapse;"> <thead> <tr> <th>Qty</th> <th>P/N</th> <th>Galv</th> <th>SS</th> <th>Location</th> </tr> </thead> <tbody> <tr> <td colspan="5">Aileron Cable Kit</td> </tr> <tr> <td colspan="5">P/N CCKT-04G-AIL or CCKT-04S-AIL</td> </tr> <tr> <td>2</td> <td>MC0400107-35 or 135</td> <td></td> <td></td> <td>Aileron Direct</td> </tr> <tr> <td>1</td> <td>MC0400107-21 or 121</td> <td></td> <td></td> <td>Aileron Carry Thru</td> </tr> <tr> <td>4</td> <td>MC0422280</td> <td></td> <td></td> <td>Aileron Bellcrank Bushing</td> </tr> <tr> <td colspan="5">Elevator Cable Kit</td> </tr> <tr> <td colspan="5">P/N CCKT-04G-ELE or CCKT-04S-ELE</td> </tr> <tr> <td>1</td> <td>MC0400107-5 or 105</td> <td></td> <td></td> <td>Elevator Up</td> </tr> <tr> <td>1</td> <td>MC0400107-9 or 109</td> <td></td> <td></td> <td>Elevator Down</td> </tr> <tr> <td>1</td> <td>MC0400107-11 or 111</td> <td></td> <td></td> <td>Trim Wheel to Disconnect</td> </tr> <tr> <td>1</td> <td>MC0400107-29 or 129</td> <td></td> <td></td> <td>Trim Wheel to Turnbuckle</td> </tr> <tr> <td>1</td> <td>MC0400107-28 or 128</td> <td></td> <td></td> <td>Trim Act to Disconnect</td> </tr> <tr> <td>1</td> <td>MC0400107-30 or 130</td> <td></td> <td></td> <td>Trim Act to Turnbuckle</td> </tr> <tr> <td>2</td> <td>MCS2295P25-69</td> <td></td> <td></td> <td>Elevator Trim Chain</td> </tr> <tr> <td>4</td> <td>MCS2294-25</td> <td></td> <td></td> <td>Chain Connecting Link</td> </tr> <tr> <td colspan="5">Flap Cable Kit</td> </tr> <tr> <td colspan="5">P/N CCKT-03G-FLP or CCKT-03S-FLP</td> </tr> <tr> <td>1</td> <td>MC0400107-22 or 122</td> <td></td> <td></td> <td>Flap Extend Forward</td> </tr> <tr> <td>1</td> <td>MC0400107-23 or 123</td> <td></td> <td></td> <td>Flap Retract Forward</td> </tr> <tr> <td>2</td> <td>MC0400107-34 or 134</td> <td></td> <td></td> <td>Flap Extend LH</td> </tr> <tr> <td>2</td> <td>MC0400107-33 or 133</td> <td></td> <td></td> <td>Flap Retract LH</td> </tr> <tr> <td colspan="5">Rudder Cable Kit</td> </tr> <tr> <td colspan="5">P/N CCKT-01G-RUD or CCKT-01S-RUD</td> </tr> <tr> <td>2</td> <td>MC0400107-4 or 104</td> <td></td> <td></td> <td>Rudder Control</td> </tr> </tbody> </table>	Qty	P/N	Galv	SS	Location	Aileron Cable Kit					P/N CCKT-04G-AIL or CCKT-04S-AIL					2	MC0400107-35 or 135			Aileron Direct	1	MC0400107-21 or 121			Aileron Carry Thru	4	MC0422280			Aileron Bellcrank Bushing	Elevator Cable Kit					P/N CCKT-04G-ELE or CCKT-04S-ELE					1	MC0400107-5 or 105			Elevator Up	1	MC0400107-9 or 109			Elevator Down	1	MC0400107-11 or 111			Trim Wheel to Disconnect	1	MC0400107-29 or 129			Trim Wheel to Turnbuckle	1	MC0400107-28 or 128			Trim Act to Disconnect	1	MC0400107-30 or 130			Trim Act to Turnbuckle	2	MCS2295P25-69			Elevator Trim Chain	4	MCS2294-25			Chain Connecting Link	Flap Cable Kit					P/N CCKT-03G-FLP or CCKT-03S-FLP					1	MC0400107-22 or 122			Flap Extend Forward	1	MC0400107-23 or 123			Flap Retract Forward	2	MC0400107-34 or 134			Flap Extend LH	2	MC0400107-33 or 133			Flap Retract LH	Rudder Cable Kit					P/N CCKT-01G-RUD or CCKT-01S-RUD					2	MC0400107-4 or 104			Rudder Control
Qty	P/N	Galv	SS	Location																																																																																																																																																																																																																																																																																																																																													
Aileron Cable Kit																																																																																																																																																																																																																																																																																																																																																	
P/N CCKT-01G-AIL or CCKT-01S-AIL																																																																																																																																																																																																																																																																																																																																																	
2	MC0400107-1 or 1CS			Aileron Direct																																																																																																																																																																																																																																																																																																																																													
1	MC0400107-2 or 2CS			Aileron Carry Thru																																																																																																																																																																																																																																																																																																																																													
Elevator Cable Kit																																																																																																																																																																																																																																																																																																																																																	
P/N CCKT-01G-ELE or CCKT-01S-ELE																																																																																																																																																																																																																																																																																																																																																	
1	MC0400107-5 or 105			Elevator Control Up																																																																																																																																																																																																																																																																																																																																													
1	MC0400107-9 or 109			Elevator Control Down																																																																																																																																																																																																																																																																																																																																													
1	MC0400107-6 ²			Elevator Trim Carry Thru																																																																																																																																																																																																																																																																																																																																													
1	MC0400107-7 or 7S			Elevator Trim Aft																																																																																																																																																																																																																																																																																																																																													
1	MC0400107-8 or 8S			Elevator Trim Forward																																																																																																																																																																																																																																																																																																																																													
2	MCS2295-25-63			Chain Elevator Trim																																																																																																																																																																																																																																																																																																																																													
4	MCS2294-25			Chain Connecting Link																																																																																																																																																																																																																																																																																																																																													
Rudder Cable Kit																																																																																																																																																																																																																																																																																																																																																	
P/N CCKT-01G-RUD or CCKT-01S-RUD																																																																																																																																																																																																																																																																																																																																																	
2	MC0400107-4 or 104			Rudder Control																																																																																																																																																																																																																																																																																																																																													
Qty	P/N	Galv	SS	Location																																																																																																																																																																																																																																																																																																																																													
Aileron Cable Kit																																																																																																																																																																																																																																																																																																																																																	
P/N CCKT-03G-AIL or CCKT-03S-AIL																																																																																																																																																																																																																																																																																																																																																	
2	MC0400107-31 or 131			Aileron Direct																																																																																																																																																																																																																																																																																																																																													
1	MC0400107-21 or 121			Aileron Carry Thru																																																																																																																																																																																																																																																																																																																																													
4	MC0422280			Aileron Bellcrank Bushing																																																																																																																																																																																																																																																																																																																																													
Elevator Cable Kit																																																																																																																																																																																																																																																																																																																																																	
P/N CCKT-04G-ELE or CCKT-04S-ELE																																																																																																																																																																																																																																																																																																																																																	
1	MC0400107-5 or 105			Elevator Up																																																																																																																																																																																																																																																																																																																																													
1	MC0400107-9 or 109			Elevator Down																																																																																																																																																																																																																																																																																																																																													
1	MC0400107-11 or 111			Trim Wheel to Disconnect																																																																																																																																																																																																																																																																																																																																													
1	MC0400107-29 or 129			Trim Wheel to Turnbuckle																																																																																																																																																																																																																																																																																																																																													
1	MC0400107-28 or 128			Trim Act to Disconnect																																																																																																																																																																																																																																																																																																																																													
1	MC0400107-30 or 130			Trim Act to Turnbuckle																																																																																																																																																																																																																																																																																																																																													
2	MCS2295P25-69			Elevator Trim Chain																																																																																																																																																																																																																																																																																																																																													
4	MCS2294-25			Chain Connecting Link																																																																																																																																																																																																																																																																																																																																													
Flap Cable Kit																																																																																																																																																																																																																																																																																																																																																	
P/N CCKT-01G-FLP or CCKT-01S-FLP																																																																																																																																																																																																																																																																																																																																																	
1	MC0400107-22 or 122			Flap Extend Forward																																																																																																																																																																																																																																																																																																																																													
1	MC0400107-23 or 123			Flap Retract Forward																																																																																																																																																																																																																																																																																																																																													
2	MC0400107-34 or 134			Flap Extend LH																																																																																																																																																																																																																																																																																																																																													
2	MC0400107-26 or 126			Flap Retract																																																																																																																																																																																																																																																																																																																																													
Rudder Cable Kit																																																																																																																																																																																																																																																																																																																																																	
P/N CCKT-01G-RUD or CCKT-01S-RUD																																																																																																																																																																																																																																																																																																																																																	
2	MC0400107-4 or 104			Rudder Control																																																																																																																																																																																																																																																																																																																																													
Qty	P/N	Galv	SS	Location																																																																																																																																																																																																																																																																																																																																													
Aileron Cable Kit																																																																																																																																																																																																																																																																																																																																																	
P/N CCKT-04G-AIL or CCKT-04S-AIL																																																																																																																																																																																																																																																																																																																																																	
2	MC0400107-35 or 135			Aileron Direct																																																																																																																																																																																																																																																																																																																																													
1	MC0400107-21 or 121			Aileron Carry Thru																																																																																																																																																																																																																																																																																																																																													
4	MC0422280			Aileron Bellcrank Bushing																																																																																																																																																																																																																																																																																																																																													
Elevator Cable Kit																																																																																																																																																																																																																																																																																																																																																	
P/N CCKT-04G-ELE or CCKT-04S-ELE																																																																																																																																																																																																																																																																																																																																																	
1	MC0400107-5 or 105			Elevator Up																																																																																																																																																																																																																																																																																																																																													
1	MC0400107-9 or 109			Elevator Down																																																																																																																																																																																																																																																																																																																																													
1	MC0400107-11 or 111			Trim Wheel to Disconnect																																																																																																																																																																																																																																																																																																																																													
1	MC0400107-29 or 129			Trim Wheel to Turnbuckle																																																																																																																																																																																																																																																																																																																																													
1	MC0400107-28 or 128			Trim Act to Disconnect																																																																																																																																																																																																																																																																																																																																													
1	MC0400107-30 or 130			Trim Act to Turnbuckle																																																																																																																																																																																																																																																																																																																																													
2	MCS2295P25-69			Elevator Trim Chain																																																																																																																																																																																																																																																																																																																																													
4	MCS2294-25			Chain Connecting Link																																																																																																																																																																																																																																																																																																																																													
Flap Cable Kit																																																																																																																																																																																																																																																																																																																																																	
P/N CCKT-03G-FLP or CCKT-03S-FLP																																																																																																																																																																																																																																																																																																																																																	
1	MC0400107-22 or 122			Flap Extend Forward																																																																																																																																																																																																																																																																																																																																													
1	MC0400107-23 or 123			Flap Retract Forward																																																																																																																																																																																																																																																																																																																																													
2	MC0400107-34 or 134			Flap Extend LH																																																																																																																																																																																																																																																																																																																																													
2	MC0400107-33 or 133			Flap Retract LH																																																																																																																																																																																																																																																																																																																																													
Rudder Cable Kit																																																																																																																																																																																																																																																																																																																																																	
P/N CCKT-01G-RUD or CCKT-01S-RUD																																																																																																																																																																																																																																																																																																																																																	
2	MC0400107-4 or 104			Rudder Control																																																																																																																																																																																																																																																																																																																																													
<p>140 1946-1947 S/N 10070 thru 12890 Complete Cable Kit P/N CCKT140-02G (Galvanized) Complete Cable Kit P/N CCKT140-02S (Stainless Steel) Complete Pulley Kit P/N PULL-KT-01*</p> <table border="1" style="width: 100%; border-collapse: collapse;"> <thead> <tr> <th>Qty</th> <th>P/N</th> <th>Galv</th> <th>SS</th> <th>Location</th> </tr> </thead> <tbody> <tr> <td colspan="5">Aileron Cable Kit</td> </tr> <tr> <td colspan="5">P/N CCKT-01G-AIL or CCKT-01S-AIL</td> </tr> <tr> <td>2</td> <td>MC0400107-1 or 1CS</td> <td></td> <td></td> <td>Aileron Direct</td> </tr> <tr> <td>1</td> <td>MC0400107-2 or 2CS</td> <td></td> <td></td> <td>Aileron Carry Thru</td> </tr> <tr> <td colspan="5">Elevator Cable Kit</td> </tr> <tr> <td colspan="5">P/N CCKT-01G-ELE or CCKT-01S-ELE</td> </tr> <tr> <td>1</td> <td>MC0400107-5 or 105</td> <td></td> <td></td> <td>Elevator Control Up</td> </tr> <tr> <td>1</td> <td>MC0400107-9 or 109</td> <td></td> <td></td> <td>Elevator Control Down</td> </tr> <tr> <td>1</td> <td>MC0400107-6²</td> <td></td> <td></td> <td>Elevator Trim Carry Thru</td> </tr> <tr> <td>1</td> <td>MC0400107-7 or 7S</td> <td></td> <td></td> <td>Elevator Trim Aft</td> </tr> <tr> <td>1</td> <td>MC0400107-8 or 8S</td> <td></td> <td></td> <td>Elevator Trim Forward</td> </tr> <tr> <td>2</td> <td>MCS2295-25-63</td> <td></td> <td></td> <td>Chain Elevator Trim</td> </tr> <tr> <td>4</td> <td>MCS2294-25</td> <td></td> <td></td> <td>Chain Connecting Link</td> </tr> <tr> <td colspan="5">Rudder Cable Kit</td> </tr> <tr> <td colspan="5">P/N CCKT-01G-RUD or CCKT-01S-RUD</td> </tr> <tr> <td>2</td> <td>MC0400107-4 or 104</td> <td></td> <td></td> <td>Rudder Control</td> </tr> </tbody> </table>	Qty	P/N	Galv	SS	Location	Aileron Cable Kit					P/N CCKT-01G-AIL or CCKT-01S-AIL					2	MC0400107-1 or 1CS			Aileron Direct	1	MC0400107-2 or 2CS			Aileron Carry Thru	Elevator Cable Kit					P/N CCKT-01G-ELE or CCKT-01S-ELE					1	MC0400107-5 or 105			Elevator Control Up	1	MC0400107-9 or 109			Elevator Control Down	1	MC0400107-6 ²			Elevator Trim Carry Thru	1	MC0400107-7 or 7S			Elevator Trim Aft	1	MC0400107-8 or 8S			Elevator Trim Forward	2	MCS2295-25-63			Chain Elevator Trim	4	MCS2294-25			Chain Connecting Link	Rudder Cable Kit					P/N CCKT-01G-RUD or CCKT-01S-RUD					2	MC0400107-4 or 104			Rudder Control	<p>150D,E 1964-1965 S/N 15060088 thru 15061532 Complete Cable Kit P/N CCKT150-05G (Galvanized) Complete Cable Kit P/N CCKT150-05S (Stainless Steel) Complete Pulley Kit P/N PULL-KT-05* or 06* Note 1</p> <table border="1" style="width: 100%; border-collapse: collapse;"> <thead> <tr> <th>Qty</th> <th>P/N</th> <th>Galv</th> <th>SS</th> <th>Location</th> </tr> </thead> <tbody> <tr> <td colspan="5">Aileron Cable Kit</td> </tr> <tr> <td colspan="5">P/N CCKT-05G-AIL or CCKT-05S-AIL</td> </tr> <tr> <td>2</td> <td>MC0400107-41 or 141</td> <td></td> <td></td> <td>Aileron Direct</td> </tr> <tr> <td>1</td> <td>MC0400107-21 or 121</td> <td></td> <td></td> <td>Aileron Carry Thru</td> </tr> <tr> <td>4</td> <td>MC0422280</td> <td></td> <td></td> <td>Aileron Bellcrank Bushing</td> </tr> <tr> <td colspan="5">Note 1: S/N 15060088 thru 15061083 USE PULL-KT-05 S/N 15061084 thru 15061532 USE PULL-KT-06</td> </tr> </tbody> </table>	Qty	P/N	Galv	SS	Location	Aileron Cable Kit					P/N CCKT-05G-AIL or CCKT-05S-AIL					2	MC0400107-41 or 141			Aileron Direct	1	MC0400107-21 or 121			Aileron Carry Thru	4	MC0422280			Aileron Bellcrank Bushing	Note 1: S/N 15060088 thru 15061083 USE PULL-KT-05 S/N 15061084 thru 15061532 USE PULL-KT-06																																																																																																																																																																																																																												
Qty	P/N	Galv	SS	Location																																																																																																																																																																																																																																																																																																																																													
Aileron Cable Kit																																																																																																																																																																																																																																																																																																																																																	
P/N CCKT-01G-AIL or CCKT-01S-AIL																																																																																																																																																																																																																																																																																																																																																	
2	MC0400107-1 or 1CS			Aileron Direct																																																																																																																																																																																																																																																																																																																																													
1	MC0400107-2 or 2CS			Aileron Carry Thru																																																																																																																																																																																																																																																																																																																																													
Elevator Cable Kit																																																																																																																																																																																																																																																																																																																																																	
P/N CCKT-01G-ELE or CCKT-01S-ELE																																																																																																																																																																																																																																																																																																																																																	
1	MC0400107-5 or 105			Elevator Control Up																																																																																																																																																																																																																																																																																																																																													
1	MC0400107-9 or 109			Elevator Control Down																																																																																																																																																																																																																																																																																																																																													
1	MC0400107-6 ²			Elevator Trim Carry Thru																																																																																																																																																																																																																																																																																																																																													
1	MC0400107-7 or 7S			Elevator Trim Aft																																																																																																																																																																																																																																																																																																																																													
1	MC0400107-8 or 8S			Elevator Trim Forward																																																																																																																																																																																																																																																																																																																																													
2	MCS2295-25-63			Chain Elevator Trim																																																																																																																																																																																																																																																																																																																																													
4	MCS2294-25			Chain Connecting Link																																																																																																																																																																																																																																																																																																																																													
Rudder Cable Kit																																																																																																																																																																																																																																																																																																																																																	
P/N CCKT-01G-RUD or CCKT-01S-RUD																																																																																																																																																																																																																																																																																																																																																	
2	MC0400107-4 or 104			Rudder Control																																																																																																																																																																																																																																																																																																																																													
Qty	P/N	Galv	SS	Location																																																																																																																																																																																																																																																																																																																																													
Aileron Cable Kit																																																																																																																																																																																																																																																																																																																																																	
P/N CCKT-05G-AIL or CCKT-05S-AIL																																																																																																																																																																																																																																																																																																																																																	
2	MC0400107-41 or 141			Aileron Direct																																																																																																																																																																																																																																																																																																																																													
1	MC0400107-21 or 121			Aileron Carry Thru																																																																																																																																																																																																																																																																																																																																													
4	MC0422280			Aileron Bellcrank Bushing																																																																																																																																																																																																																																																																																																																																													
Note 1: S/N 15060088 thru 15061083 USE PULL-KT-05 S/N 15061084 thru 15061532 USE PULL-KT-06																																																																																																																																																																																																																																																																																																																																																	

Flight Control System

* See pages 191-192 for Pulley Kit Components
¹ Partial model eligibility
² Included in both galvanized and stainless kits.



Flight Control System

Continued from previous page

Elevator Cable Kit				
P/N	Galv	SS		
P/N CKKT-04G-ELE or CKKT-04S-ELE				
1	MC0400107-5 or 105	Elevator Up		
1	MC0400107-9 or 109	Elevator Down		
1	MC0400107-11 or 111	Trim Wheel to Disconnect		
1	MC0400107-29 or 129	Trim Wheel to Turnbuckle		
1	MC0400107-28 or 128	Trim Act to Disconnect		
1	MC0400107-30 or 130	Trim Act to Turnbuckle		
2	MCS2295P25-69	Elevator Trim Chain		
4	MCS2294-25	Chain Connecting Link		
Flap Cable Kit				
P/N	Galv	SS		
P/N CKKT-04G-FLP or CKKT-04S-FLP				
2	MC0400107-39 or 139	Flap Extend Forward		
1	MC0400107-37 or 137	Flap Retract Forward		
2	MC0400107-40 or 140	Flap Extend to Bellcrank		
2	MC0400107-38 or 138	Flap Retract to Bellcrank		
Rudder Cable Kit				
P/N	Galv	SS		
P/N CKKT-01G-RUD or CKKT-01S-RUD				
2	MC0400107-4 or 104	Rudder Control		
150F 1966				
S/N 15061533 thru 15061778				
Complete Cable Kit P/N CKKT150-06G (Galvanized)				
Complete Cable Kit P/N CKKT150-06S (Stainless Steel)				
Complete Pulley Kit P/N PULL-KT-07*				
Qty	P/N	Galv	SS	Location
Aileron Cable Kit				
P/N CKKT-05G-AIL or CKKT-05S-AIL				
2	MC0400107-41 or 141	Aileron Direct		
1	MC0400107-21 or 121	Aileron Carry Thru		
4	MC0422280	Aileron Bellcrank Bushing		
Elevator Cable Kit				
P/N CKKT-05G-ELE or CKKT-05S-ELE				
1	MC0400107-5 or 105	Elevator Up		
1	MC0400107-9 or 109	Elevator Down		
1	MC0400107-42 or 142	Trim Wheel to Disconnect		
1	MC0400107-43 or 143	Trim Wheel to Turnbuckle		
1	MC0400107-28 or 128	Trim Act to Disconnect		
1	MC0400107-30 or 130	Trim Act to Turnbuckle		
2	MCS2295P25-69	Elevator Trim Chain		
4	MCS2294-25	Chain Connecting Link		
Flap Cable Kit				
P/N CKKT-05G-FLP or CKKT-05S-FLP				
2	MC0400107-45 or 145	Flap		
2	MC0400107-46 or 146	Flap		
Rudder Cable Kit				
P/N CKKT-02G-RUD or CKKT-02S-RUD				
2	MC0400107-47 or 147	Rudder Control Forward		
2	MC0400107-48 or 148	Rudder Control Aft		
150F 1966, 1967 F150F, G 1966-1967				
S/N 15061779 thru 15067198,				
S/N F1500001 thru F1500219				
Complete Cable Kit P/N CKKT150-11G (Galvanized)				
Complete Cable Kit P/N CKKT150-11S (Stainless Steel)				
Complete Pulley Kit P/N PULL-KT-07* Note 1				
Qty	P/N	Galv	SS	Location
Aileron Cable Kit				
P/N CKKT-05G-AIL or CKKT-05S-AIL				
2	MC0400107-41 or 141	Aileron Direct		
1	MC0400107-21 or 121	Aileron Carry Thru		
4	MC0422280	Aileron Bellcrank Bushing		
Elevator Cable Kit				
P/N CKKT-05G-ELE or CKKT-05S-ELE				
1	MC0400107-5 or 105	Elevator Up		
1	MC0400107-9 or 109	Elevator Down		
1	MC0400107-42 or 142	Trim Wheel to Disconnect		
1	MC0400107-43 or 143	Trim Wheel to Turnbuckle		
1	MC0400107-30 or 130	Trim Act to Turnbuckle		
1	MC0400107-28 or 128	Trim Act to Disconnect		
2	MCS2295P25-69	Chain to Tab Act		
4	MCS2294-25	Chain Connecting Link		
Flap Cable Kit				
P/N CKKT-05G-FLP or CKKT-05S-FLP				
2	MC0400107-45 or 145	Flap		
2	MC0400107-46 or 146	Flap		
Rudder Cable Kit				
P/N CKKT-03G-RUD or CKKT-03S-RUD				
1	MC0400107-49 or 149	Rudder Control LH		
1	MC0400107-50 or 150	Rudder Control RH		
Note 1: S/N 15061779 thru 15067198 only				
150H 1968 F150H 1968				
S/N 15067199 thru 15069308, F1500220 thru F1500389				
Complete Cable Kit P/N CKKT150-07G (Galvanized)				
Complete Cable Kit P/N CKKT150-07S (Stainless Steel)				
Complete Pulley Kit P/N PULL-KT-08* Note 1				
Qty	P/N	Galv	SS	Location
Aileron Cable Kit				
P/N CKKT-05G-AIL or CKKT-05S-AIL				
2	MC0400107-41 or 141	Aileron Direct		
1	MC0400107-21 or 121	Aileron Carry Thru		
4	MC0422280	Aileron Bellcrank Bushing		
Elevator Cable Kit				
P/N CKKT-06G-ELE or CKKT-06S-ELE				
1	MC0400107-5 or 105	Elevator Up		
1	MC0400107-9 or 109	Elevator Down		
1	MC0400107-30 or 130	Trim Actuator to Turnbuckle		
Kit continues in next column				

Continued from previous column

Qty	P/N	Galv	SS	Location
1	MC0400107-52 or 152	Trim Wheel to Disconnect		
1	MC0400107-53 or 153	Trim Wheel to Turnbuckle		
1	MCS2295P25-69	Chain to Tab Actuator		
1	MCS2295-25-61	Chain Trim Wheel		
4	MCS2294-25	Chain Connecting Link		
Flap Cable Kit				
P/N CKKT-05G-FLP or CKKT-05S-FLP				
2	MC0400107-45 or 145	Flap		
2	MC0400107-46 or 146	Flap		
1	MC0400107-28 or 128	Trim Act to Disconnect		
Rudder Cable Kit				
P/N CKKT-03G-RUD or CKKT-03S-RUD				
1	MC0400107-49 or 149	Rudder Control LH		
1	MC0400107-50 or 150	Rudder Control RH		
150J 1969, F150J 1969				
S/N 15069309 thru 15070503, F1500390 thru F1500529				
Complete Cable Kit P/N CKKT150-08G (Galvanized)				
Complete Cable Kit P/N CKKT150-08S (Stainless Steel)				
Complete Pulley Kit P/N PULL-KT-09* Note 1				
Qty	P/N	Galv	SS	Location
Aileron Cable Kit				
P/N CKKT-05G-AIL or CKKT-05S-AIL				
2	MC0400107-41 or 141	Aileron Direct		
1	MC0400107-21 or 121	Aileron Carry Thru		
4	MC0422280	Aileron Bellcrank Bushing		
Elevator Cable Kit				
P/N CKKT-07G-ELE or CKKT-07S-ELE				
1	MC0400107-5 or 105	Elevator Up		
1	MC0400107-9 or 109	Elevator Down		
1	MC0400107-28 or 128	Trim Actuator to Disconnect		
1	MC0400107-30 or 130	Trim Actuator to Turnbuckle		
1	MC0400107-54 or 154	Trim Wheel to Disconnect		
1	MC0400107-55 or 155	Trim Wheel to Turnbuckle		
1	MCS2295P25-69	Chain Trim Actuator		
1	MCS2295-25-61	Chain Trim Wheel		
4	MCS2294-25	Chain Connecting Link		
Flap Cable Kit				
P/N CKKT-05G-FLP or CKKT-05S-FLP				
2	MC0400107-45 or 145	Flap		
2	MC0400107-46 or 146	Flap		
Rudder Cable Kit				
P/N CKKT-03G-RUD or CKKT-03S-RUD				
1	MC0400107-49 or 149	Rudder Control LH		
1	MC0400107-50 or 150	Rudder Control RH		
Note 1: For S/N 15069309 thru 15070503 only				
150K, L, M, N, A150K, L, M, FA150K, L, FRA150L, M 1969-1975				
S/N 15070504 thru 15077005 Note 1,				
A1500001 thru A1500609 Note 2,				
F15000530 thru F15001248 Note 3,				
FA1500001 thru FA1500120 Note 4,				
FRA1500121 thru FRA1500281 Note 5				
Complete Cable Kit P/N CKKT150-09G (Galvanized)				
Complete Cable Kit P/N CKKT150-09S (Stainless Steel)				
Complete Pulley Kit P/N PULL-KT-09* thru PULL-KT-12*				
Qty	P/N	Galv	SS	Location
Aileron Cable Kit				
P/N CKKT-05G-AIL or CKKT-05S-AIL				
2	MC0400107-41 or 141	Aileron Direct		
1	MC0400107-21 or 121	Aileron Carry Thru		
4	MC0422280	Aileron Bellcrank Bushing		
Elevator Cable Kit				
P/N CKKT-08G-ELE or CKKT-08S-ELE				
1	MC0400107-5 or 105	Elevator Up		
1	MC0400107-9 or 109	Elevator Down		
1	MC0400107-28 or 128	Trim Actuator to Disconnect		
1	MC0400107-30 or 130	Trim Actuator to Turnbuckle		
1	MC0400107-55 or 155	Trim Wheel to Turnbuckle		
1	MC0400107-56 or 156	Trim Wheel to Disconnect		
1	MCS2295P25-69	Chain Trim Actuator		
1	MCS2295P25-63	Chain Trim Wheel		
4	MCS2294-25	Chain Connecting Link		
Flap Cable Kit				
P/N CKKT-05G-FLP or CKKT-05S-FLP				
2	MC0400107-45 or 145	Flap		
2	MC0400107-46 or 146	Flap		
Rudder Cable Kit				
P/N CKKT-03G-RUD or CKKT-03S-RUD				
1	MC0400107-49 or 149	Rudder Control LH		
1	MC0400107-50 or 150	Rudder Control RH		
Note 1: S/N 15070504 thru 15071128 USE PULL-KT-09				
S/N 15071129 thru 15074399 USE PULL-KT-10				
S/N 15074400 thru 15074661 USE PULL-KT-11				
S/N 15074662 thru 15077005 USE PULL-KT-12				
Note 2: S/N A1500001 thru A1500387 USE PULL-KT-10				
S/N A1500388 thru A1500415 USE PULL-KT-11				
Note 3: S/N F15000530 thru F15000943 USE PULL-KT-10				
S/N F1500944 thru F15001062 USE PULL-KT-11				
S/N F15001063 thru F15001248 USE PULL-KT-12				
Note 4: S/N FA1500001 thru FA1500120 USE PULL-KT-10				
Note 5: S/N FRA1500121 thru FRA1500211 USE PULL-KT-10				
S/N FRA1500212 thru FRA1500261 USE PULL-KT-12				

Qty	P/N	Galv	SS	Location
150M, A150M, F150M, FRA150M 1976-1977				
S/N 15077006 thru 15079405,				
A1500610 thru A1500734,				
F15001249 thru F15001428,				
FRA1500282 thru FRA1500336				
Complete Cable Kit P/N CKKT150-10G (Galvanized)				
Complete Cable Kit P/N CKKT150-10S (Stainless Steel)				
Complete Pulley Kit P/N PULL-KT-12* Note 1				
Qty	P/N	Galv	SS	Location
Aileron Cable Kit				
P/N CKKT-05G-AIL or CKKT-05S-AIL				
2	MC0400107-41 or 141	Aileron Direct		
1	MC0400107-21 or 121	Aileron Carry Thru		
4	MC0422280	Aileron Bellcrank Bushing		
Elevator Cable Kit				
P/N CKKT-09G-ELE or CKKT-09S-ELE				
1	MC0400107-5 or 105	Elevator Up		
1	MC0400107-9 or 109	Elevator Down		
1	MC0400107-57 or 157	Trim Actuator to Disconnect		
1	MC0400107-30 or 130	Trim Actuator to Turnbuckle		
1	MC0400107-55 or 155	Trim Wheel to Turnbuckle		
1	MC0400107-56 or 156	Trim Wheel to Disconnect		
1	MCS2295P25-69	Chain Trim Actuator		
1	MCS2295P25-63	Chain Trim Wheel		
4	MCS2294-25	Chain Connecting Link		
Flap Cable Kit				
P/N CKKT-05G-FLP or CKKT-05S-FLP				
2	MC0400107-45 or 145	Flap		
2	MC0400107-46 or 146	Flap		
Rudder Cable Kit				
P/N CKKT-03G-RUD or CKKT-03S-RUD				
1	MC0400107-49 or 149	Rudder Control LH		
1	MC0400107-50 or 150	Rudder Control RH		
Note 1: PULL-KT-12 is eligible for all serial numbers except S/N A1500610 thru A1500734				
152, A152, F152, FRA152 1978-1979				
S/N 15279406 thru 15281298,				
15281300 thru 15281314, 15281316 thru 15281326,				
15281328 thru 15281340, 15281342 thru 15281349,				
15281351 thru 15281359, 15281361 thru 15281369,				
15281371 thru 15281380, 15281382 thru 15281389,				
15281391 thru 15281400, 15281402 thru 15281409,				
15281411 thru 15281420, 15281422 thru 15281426,				
A1520735 thru A1520785, F15201429 thru F15201538,				
FA1520337 thru FA1520352				
Complete Cable Kit P/N CKKT152-01G (Galvanized)				
Complete Cable Kit P/N CKKT152-01S (Stainless Steel)				
Complete Pulley Kit P/N PULL-KT-13*				
Qty	P/N	Galv	SS	Location
Aileron Cable Kit				
P/N CKKT-05G-AIL or CKKT-05S-AIL				
2	MC0400107-41 or 141	Aileron Direct		
1	MC0400107-21 or 121	Aileron Carry Thru		
4	MC0422280	Aileron Bellcrank Bushing		
Elevator Cable Kit				
P/N CKKT-09G-ELE or CKKT-09S-ELE				
1	MC0400107-5 or 105	Elevator Up		
1	MC0400107-9 or 109	Elevator Down		
1	MC0400107-56 or 156	Trim Wheel to Disconnect		
1	MC0400107-55 or 155	Trim Wheel to Turnbuckle		
1	MC0400107-30 or 130	Trim Actuator to Turnbuckle		
1	MC0400107-57 or 157	Trim Actuator to Disconnect		
1	MCS2295P25-63	Chain Trim Wheel		
1	MCS2295P25-69	Chain Trim Actuator		
4	MCS2294-25	Chain Connecting Link		
Flap Cable Kit				
P/N CKKT-05G-FLP or CKKT-05S-FLP				
2	MC0400107-45 or 145	Flap		
2	MC0400107-46 or 146	Flap		
Rudder Cable Kit				
P/N CKKT-03G-RUD or CKKT-03S-RUD				
1	MC0400107-49 or 149	Rudder Control LH		
1	MC0400107-50 or 150	Rudder Control RH		
Note 1: For S/N 15061779 thru 15069308 only				
* See pages 191-192 for Pulley Kit Components				
1 Partial model eligibility				
2 Included in both galvanized and stainless kits.				
3 MC0400107-50/150 RH cable attaches to left side of rudder bell crank and right side of rudder pedal pedestal. MC0400107-49/149 LH cable attaches to right side of rudder bell crank and left side of rudder pedal pedestal.				

Flight Control System Flight Control Cables - Cessna



FAA-PMA Approved

1521, A1521, F1521, FA1521 1978-1985 S/N 15281299, 15281315, 15281327, 15281341, 15281350, 15281360, 15281370, 15281381, 15281390, 15281401, 15281410, 15281421, 15281427 thru 15286033, A1520786 thru A1521049, F15201539 thru F15201980, FA1520353 thru FA1520425 Complete Cable Kit P/N CCTK152-02G (Galvanized) Complete Cable Kit P/N CCTK152-02S (Stainless Steel) Complete Pulley Kit P/N PULL-KT-13* Note 1			
Qty P/N	Galv	SS	Location
Aileron Cable Kit P/N CCTK-06G-AIL or CCTK-06S-AIL			
2	MC0400107-60	or 160	Aileron Direct Cabin
1	MC0400107-61	or 161	Aileron Direct LH Wing
1	MC0400107-65	or 165	Aileron Direct RH Wing
1	MC0400107-59	or 159	Aileron Carry Thru LH
1	MC0400107-58	or 158	Aileron Carry Thru RH
4	MC0422280		Aileron Bellcrank Bushing
Elevator Cable Kit P/N CCTK-10G-ELE or CCTK-10S-ELE			
2	MC0400107-66	or 166	Elevator Forward
1	MC0400107-63	or 163	Elevator Up Aft
1	MC0400107-64	or 164	Elevator Down Aft
1	MC0400107-56	or 156	Trim Wheel to Disconnect
1	MC0400107-55	or 155	Trim Wheel to Turnbuckle
1	MC0400107-30	or 130	Trim Actuator to Turnbuckle
1	MC0400107-57	or 157	Tab Actuator to Disconnect
1	MCS2295P25-63		Chain Trim Wheel
1	MCS2295P25-69		Chain Trim Actuator
4	MCS2294-25		Chain Connecting Link
Flap Cable Kit P/N CCTK-05G-FLP or CCTK-05S-FLP			
2	MC0400107-45	or 145	Flap
2	MC0400107-46	or 146	Flap
Rudder Cable Kit P/N CCTK-03G-RUD or CCTK-03S-RUD			
1	MC0400107-49	or 149	Rudder Control LH
1	MC0400107-50	or 150	Rudder Control RH
Note 1: PULL-KT-13 is eligible for all serial numbers except as noted below. For S/N F15201539 thru F15201952 only For S/N FA1520353 thru FA1520387 only			
170 1948 S/N 18000 thru 18729 Complete Cable Kit P/N CCTK170-01G (Galvanized) Complete Cable Kit P/N CCTK170-01S (Stainless Steel) Complete Pulley Kit P/N PULL-KT-14*			
Qty P/N	Galv	SS	Location
Aileron Cable Kit P/N CCTK-07G-AIL or CCTK-07S-AIL			
2	MC0510105-2	or 102	Aileron Direct
2	MC0510105-3	or 103	Aileron Carry Thru
Elevator Cable Kit P/N CCTK-11G-ELE or CCTK-11S-ELE			
2	MC0510105-4	or 104	Elevator Control
1	MC0510105-9	or 109	Trim Wheel to Turnbuckle
1	MC0510105-7	or 107	Trim Wheel to Disconnect
1	MC0510105-8	or 108	Trim Actuator to Turnbuckle
1	MC0510105-10	or 110	Trim Actuator to Disconnect
2	MCS2295-25-63		Chain Elevator Trim
4	MCS2294-25		Chain Connecting Link
Flap Cable Kit P/N CCTK-06G-FLP or CCTK-06S-FLP			
2	MC0510105-6	or 106	Flap Control Upper
1	MC0510105-5	or 105	Flap Control Lower
Rudder Cable Kit P/N CCTK-04G-RUD or CCTK-04S-RUD			
2	MC0510105-1	or 101	Rudder Control
170A 1949-1951 S/N 18730 thru 20266 Complete Cable Kit P/N CCTK170-02G (Galvanized) Complete Cable Kit P/N CCTK170-02S (Stainless Steel) Complete Cable Kit P/N CCTK170-02SF (Float Plane) Complete Pulley Kit P/N PULL-KT-15*			
Qty P/N	Galv	SS	Location
Aileron Cable Kit P/N CCTK-08G-AIL or CCTK-08S-AIL			
2	MC0510105-12	or 112	Aileron Direct
1	MC0510105-13	or 113	Aileron Carry Thru
Elevator Cable Kit P/N CCTK-12G-ELE or CCTK-12S-ELE			
1	MC0510105-15	or 115	Elevator Control Upper
1	MC0510105-4	or 104	Elevator Control Lower
1	MC0510105-9	or 109	Trim Wheel to Turnbuckle
1	MC0510105-7	or 107	Trim Wheel to Disconnect
1	MC0510105-8	or 108	Trim Actuator to Turnbuckle
1	MC0510105-10	or 110	Trim Actuator to Disconnect
2	MCS2295-25-63		Chain Elevator Trim
4	MCS2294-25		Chain Connecting Link
Flap Cable Kit (Not for Float Plane) P/N CCTK-07G-FLP or CCTK-07S-FLP			
2	MC0510105-11	or 111	Flap Control Upper
1	MC0510105-5	or 105	Flap Control Lower
Flap Cable Kit (For Float Plane) P/N CCTK-08G-FLP or CCTK-08S-FLP			
2	MC0510105-11	or 111	Flap Control Upper

Continued from previous column			
Qty P/N	Galv	SS	Location
1	MC0510105-114		Flap Control Lower
Rudder Cable Kit P/N CCTK-04G-RUD or CCTK-04S-RUD			
2	MC0510105-1	or 101	Rudder Control
170B 1952-1954 S/N 20267 thru 26504 Complete Cable Kit P/N CCTK170-03G (Galvanized) Complete Cable Kit P/N CCTK170-03S (Stainless Steel) Complete Pulley Kit P/N PULL-KT-16*			
Qty P/N	Galv	SS	Location
Aileron Cable Kit P/N CCTK-09G-AIL or CCTK-09S-AIL			
2	MC0510105-16	or 116	Aileron Direct
1	MC0510105-13	or 113	Aileron Carry Thru
Elevator Cable Kit P/N CCTK-12G-ELE or CCTK-12S-ELE			
1	MC0510105-15	or 115	Elevator Control Upper
1	MC0510105-4	or 104	Elevator Control Lower
1	MC0510105-9	or 109	Trim Wheel to Turnbuckle
1	MC0510105-7	or 107	Trim Wheel to Disconnect
1	MC0510105-8	or 108	Trim Actuator to Turnbuckle
1	MC0510105-10	or 110	Trim Actuator to Disconnect
2	MCS2295-25-63		Chain Elevator Trim
4	MCS2294-25		Chain Connecting Link
Flap Cable Kit P/N CCTK-09G-FLP or CCTK-09S-FLP			
1	MC0510105-21	or 121	Flap Return Forward
1	MC0510105-22	or 122	Flap Direct Forward
2	MC0510105-59	or 159	Flap Direct Outboard
1	MC0510105-61	or 161	Flap Direct LH Inboard
1	MC0510105-62	or 162	Flap Direct RH Inboard
2	MC0510105-60	or 160	Flap Return Outboard
1	MC0510105-63	or 163	Flap Return LH Inboard
1	MC0510105-64	or 164	Flap Return RH Inboard
Rudder Cable Kit P/N CCTK-04G-RUD or CCTK-04S-RUD			
2	MC0510105-1	or 101	Rudder Control
170B 1955-1956 S/N 26505 thru 27169 Complete Cable Kit P/N CCTK170-04G (Galvanized) Complete Cable Kit P/N CCTK170-04S (Stainless Steel) Complete Pulley Kit P/N PULL-KT-16*			
Qty P/N	Galv	SS	Location
2	MC0510105-38	or 138	Tailwheel Steering
Aileron Cable Kit P/N CCTK-09G-AIL or CCTK-09S-AIL			
2	MC0510105-16	or 116	Aileron Direct
1	MC0510105-13	or 113	Aileron Carry Thru
Elevator Cable Kit P/N CCTK-12G-ELE or CCTK-12S-ELE			
1	MC0510105-15	or 115	Elevator Control Upper
1	MC0510105-4	or 104	Elevator Control Lower
1	MC0510105-9	or 109	Trim Wheel to Turnbuckle
1	MC0510105-7	or 107	Trim Wheel to Disconnect
1	MC0510105-8	or 108	Trim Act to Turnbuckle
1	MC0510105-10	or 110	Trim Act to Disconnect
2	MCS2295-25-63		Chain Elevator Trim
4	MCS2294-25		Chain Connecting Link
Flap Cable Kit P/N CCTK-09G-FLP or CCTK-09S-FLP			
1	MC0510105-21	or 121	Flap Return Forward
1	MC0510105-22	or 122	Flap Direct Forward
2	MC0510105-59	or 159	Flap Direct Outboard
1	MC0510105-61	or 161	Flap Direct LH Inboard
1	MC0510105-62	or 162	Flap Direct RH Inboard
2	MC0510105-60	or 160	Flap Return Outboard
1	MC0510105-63	or 163	Flap Return LH Inboard
1	MC0510105-64	or 164	Flap Return RH Inboard
Rudder Cable Kit P/N CCTK-04G-RUD or CCTK-04S-RUD			
2	MC0510105-1	or 101	Rudder Control
172 1956-1958 S/N 28000 thru 36965 Complete Cable Kit P/N CCTK172175-01G (Galvanized) Complete Cable Kit P/N CCTK172175-01S (Stainless Steel) Complete Pulley Kit P/N PULL-KT-17*			
Qty P/N	Galv	SS	Location
Aileron Cable Kit P/N CCTK-10G-AIL or CCTK-10S-AIL			
2	MC0510105-16	or 116	Aileron Direct
1	MC0510105-13	or 113	Aileron Carry Thru
4	MC0422280		Aileron Bellcrank Bushing
Elevator Cable Kit P/N CCTK-13G-ELE or CCTK-13S-ELE			
1	MC0510105-42	or 142	Elevator Forward Upper
1	MC0510105-40	or 140	Elevator Forward Lower
1	MC0510105-41	or 141	Elevator Aft Upper
1	MC0510105-54	or 154	Elevator Aft Lower
1	MC0510105-58	or 158	Trim Wheel to Turnbuckle
1	MC0510105-57	or 157	Trim Wheel to Disconnect
1	MC0510105-44	or 144	Trim Actuator to Turnbuckle
1	MC0510105-45	or 145	Trim Actuator to Disconnect
1	MCS2295-25-71		Chain Trim Wheel
1	MCS2295-25-67		Chain Trim Actuator
4	MCS2294-25		Chain Connecting Link
Flap Cable Kit P/N CCTK-09G-FLP or CCTK-09S-FLP			
2	MC0510105-59	or 159	Flap Direct Upper
2	MC0510105-60	or 160	Flap Return Upper
1	MC0510105-63	or 163	Flap Return LH Lower
1	MC0510105-64	or 164	Flap Return RH Lower
1	MC0510105-61	or 161	Flap Direct LH Lower
1	MC0510105-62	or 162	Flap Direct RH Lower
1	MC0510105-21	or 121	Flap Return Forward
1	MC0510105-22	or 122	Flap Direct Forward
Rudder Cable Kit P/N CCTK-05G-RUD or CCTK-05S-RUD			
2	MC0510105-39	or 139	Rudder Forward
1	MC0510105-56	or 156	Rudder Aft LH
1	MC0510105-55	or 155	Rudder Aft RH
172A, 1960 S/N 46755 thru 47298 Complete Cable Kit P/N CCTK172175-03G (Galvanized) Complete Cable Kit P/N CCTK172175-03S (Stainless Steel) Complete Pulley Kit P/N PULL-KT-17*			
Qty P/N	Galv	SS	Location
Aileron Cable Kit P/N CCTK-11G-AIL or CCTK-11S-AIL			
2	MC0510105-72	or 172	Aileron Direct
1	MC0510105-13	or 113	Aileron Carry Thru
4	MC0422280		Aileron Bellcrank Bushing
Elevator Cable Kit P/N CCTK-13G-ELE or CCTK-13S-ELE			
1	MC0510105-42	or 142	Elevator Forward Upper
1	MC0510105-40	or 140	Elevator Forward Lower
1	MC0510105-41	or 141	Elevator Aft Upper
1	MC0510105-54	or 154	Elevator Aft Lower
1	MC0510105-58	or 158	Trim Wheel to Turnbuckle
1	MC0510105-57	or 157	Trim Wheel to Disconnect
1	MC0510105-44	or 144	Trim Actuator to Turnbuckle
1	MC0510105-45	or 145	Trim Actuator to Disconnect
1	MCS2295-25-71		Chain Trim Wheel
1	MCS2295-25-67		Chain Trim Actuator
4	MCS2294-25		Chain Connecting Link
Flap Cable Kit P/N CCTK-09G-FLP or CCTK-09S-FLP			
2	MC0510105-59	or 159	Flap Direct Upper
2	MC0510105-60	or 160	Flap Return Upper
1	MC0510105-63	or 163	Flap Return LH Lower
1	MC0510105-64	or 164	Flap Return RH Lower
1	MC0510105-61	or 161	Flap Direct LH Lower
1	MC0510105-62	or 162	Flap Direct RH Lower
Kit continues on next page			

Continued from previous column			
Qty P/N	Galv	SS	Location
4	MCS2294-25		Chain Connecting Link
Flap Cable Kit P/N CCTK-09G-FLP or CCTK-09S-FLP			
2	MC0510105-59	or 159	Flap Direct Upper
2	MC0510105-60	or 160	Flap Return Upper
1	MC0510105-63	or 163	Flap Return LH Lower
1	MC0510105-64	or 164	Flap Return RH Lower
1	MC0510105-61	or 161	Flap Direct LH Lower
1	MC0510105-62	or 162	Flap Direct RH Lower
1	MC0510105-21	or 121	Flap Return Forward
1	MC0510105-22	or 122	Flap Direct Forward
Rudder Cable Kit P/N CCTK-05G-RUD or CCTK-05S-RUD			
2	MC0510105-39	or 139	Rudder Forward
1	MC0510105-56	or 156	Rudder Aft LH
1	MC0510105-55	or 155	Rudder Aft RH
172 1959, 175 1958-1959 S/N 36966 thru 46754, 55001 thru 56238 Complete Cable Kit P/N CCTK172175-02G (Galvanized) Complete Cable Kit P/N CCTK172175-02S (Stainless Steel) Complete Pulley Kit P/N PULL-KT-17*			
Qty P/N	Galv	SS	Location
Aileron Cable Kit P/N CCTK-11G-AIL or CCTK-11S-AIL			
2	MC0510105-72	or 172	Aileron Direct
1	MC0510105-13	or 113	Aileron Carry Thru
4	MC0422280		Aileron Bellcrank Bushing
Elevator Cable Kit P/N CCTK-13G-ELE or CCTK-13S-ELE			
1	MC0510105-42	or 142	Elevator Forward Upper
1	MC0510105-40	or 140	Elevator Forward Lower
1	MC0510105-41	or 141	Elevator Aft Upper
1	MC0510105-54	or 154	Elevator Aft Lower
1	MC0510105-58	or 158	Trim Wheel to Turnbuckle
1	MC0510105-57	or 157	Trim Wheel to Disconnect
1	MC0510105-44	or 144	Trim Actuator to Turnbuckle
1	MC0510105-45	or 145	Trim Actuator to Disconnect
1	MCS2295-25-71		Chain Trim Wheel
1	MCS2295-25-67		Chain Trim Actuator
4	MCS2294-25		Chain Connecting Link
Flap Cable Kit P/N CCTK-09G-FLP or CCTK-09S-FLP			
2	MC0510105-59	or 159	Flap Direct Upper
2	MC0510105-60	or 160	Flap Return Upper
1	MC0510105-63	or 163	Flap Return LH Lower
1	MC0510105-64	or 164	Flap Return RH Lower
1	MC0510105-61	or 161	Flap Direct LH Lower
1	MC0510105-62	or 162	Flap Direct RH Lower
Kit continues on next page			
* See pages 191-192 for Pulley Kit Components			
† Partial model eligibility			
‡ See note on the bottom of page 156 regarding rudder cable P/Ns MC0400107-49/149 and MC04001047-50/150 installation.			
§ Not included in CCTK170-02SF			
¶ Only included in CCTK170-02SF			

Flight Control System



Flight Control System

<i>Continued from previous page</i>			
Qty	P/N	Galv SS	Location
1	MC0510105-21		Flap Return Forward
1	MC0510105-22		Flap Direct Forward
Rudder Cable Kit			
P/N CCKT-06G-RUD or CCKT-06S-RUD			
2	MC0510105-39		Rudder Forward
1	MC0510105-75		Rudder Aft LH
1	MC0510105-76		Rudder Aft RH
172A, B, C 1960-1-1962 175A, B, C 1960-1962			
S/N 47299 thru 17249544, 56239 thru 17557119			
Complete Cable Kit P/N CCKT172175-04G (Galvanized)			
Complete Cable Kit P/N CCKT172175-04S (Stainless)			
Complete Pulley Kit P/N PULL-KT-17*			
Qty	P/N	Galv SS	Location
Aileron Cable Kit			
P/N CCKT-11G-AIL or CCKT-11S-AIL			
2	MC0510105-72		Aileron Direct
1	MC0510105-13		Aileron Carry Thru
4	MC0422280		Aileron Bellcrank Bushing
Elevator Cable Kit			
P/N CCKT-13G-ELE or CCKT-13S-ELE			
1	MC0510105-42		Elevator Forward Upper
1	MC0510105-40		Elevator Forward Lower
1	MC0510105-41		Elevator Aft Upper
1	MC0510105-54		Elevator Aft Lower
1	MC0510105-58		Trim Wheel to Turnbuckle
1	MC0510105-57		Trim Wheel to Disconnect
1	MC0510105-44		Trim Actuator to Turnbuckle
1	MC0510105-45		Trim Actuator to Disconnect
1	MCS2295-25-71		Chain Trim Wheel
1	MCS2295-25-67		Chain Trim Actuator
4	MCS2294-25		Chain Connecting Link
Flap Cable Kit			
P/N CCKT-09G-FLP or CCKT-09S-FLP			
2	MC0510105-59		Flap Direct Upper
2	MC0510105-60		Flap Return Upper
1	MC0510105-63		Flap Return LH Lower
1	MC0510105-64		Flap Return RH Lower
1	MC0510105-61		Flap Direct LH Lower
1	MC0510105-21		Flap Return Forward
1	MC0510105-22		Flap Direct Forward
1	MC0510105-62		Flap Direct RH Lower
Rudder Cable Kit			
P/N CCKT-07G-RUD or CCKT-07S-RUD			
2	MC0510105-39		Rudder Forward
2	MC0510105-80		Rudder Aft LH
1	MC0510105-81		Rudder Aft RH
172D, P172, F172D, FP172 1963			
S/N 17249545 thru 17250572, P17257120 thru P17257188, F172-0001 thru F172-0018, FP172-0001 thru FP172-0003			
Complete Cable Kit P/N CCKT172175-05G (Galvanized)			
Complete Cable Kit P/N CCKT172175-05S (Stainless)			
Complete Pulley Kit P/N PULL-KT-18*			
Qty	P/N	Galv SS	Location
1	MC0510105-70		Parking Brake
1	MC0713070-28		Cable Assembly Park Brake
Aileron Cable Kit			
P/N CCKT-11G-AIL or CCKT-11S-AIL			
2	MC0510105-72		Aileron Direct
1	MC0510105-13		Aileron Carry Thru
4	MC0422280		Aileron Bellcrank Bushing
Rudder Cable Kit			
P/N CCKT-08G-RUD or CCKT-08S-RUD			
1	MC0510105-205		Rudder Forward LH
1	MC0510105-206		Rudder Forward RH
2	MC0510105-207		Rudder Aft
Elevator Cable Kit			
P/N CCKT-14G-ELE or CCKT-14S-ELE			
2	MC0510105-208		Elevator Forward
1	MC0510105-290		Elevator Aft Lower
1	MC0510105-291		Elevator Aft Upper
1	MC0510105-291		Elevator Aft Upper
1	MC0510105-58		Trim Wheel to Turnbuckle
1	MC0510105-57		Trim Wheel to Disconnect
1	MC0510105-44		Trim Actuator to Turnbuckle
1	MC0510105-45		Trim Actuator to Disconnect
1	MCS2295-25-71		Chain Trim Wheel
1	MCS2295-25-67		Chain Trim Actuator
4	MCS2294-25		Chain Connecting Link
Flap Cable Kit			
P/N CCKT-09G-FLP or CCKT-09S-FLP			
2	MC0510105-59		Flap Direct Upper
2	MC0510105-60		Flap Return Upper
1	MC0510105-63		Flap Return LH Lower
1	MC0510105-64		Flap Return RH Lower
1	MC0510105-61		Flap Direct LH Lower
1	MC0510105-21		Flap Return Forward
1	MC0510105-22		Flap Direct Forward

172E 1964			
S/N 17250573 thru 17251822			
Complete Cable Kit P/N CCKT172175-06G (Galvanized)			
Complete Cable Kit P/N CCKT172175-06S (Stainless)			
Complete Pulley Kit P/N PULL-KT-19*			
Qty	P/N	Galv SS	Location
1	MC0510105-70		Parking Brake
1	MC0713070-28		Cable Assembly Park Brake
Aileron Cable Kit			
P/N CCKT-12G-AIL or CCKT-12S-AIL			
1	MC0510105-213		Aileron Yoke Primary
1	MC0510105-215		Aileron Yoke LH
1	MC0510105-214		Aileron Yoke RH
1	MC0510105-216		Aileron Yoke Transition
2	MC0510105-217		Aileron Direct
1	MC0510105-13		Aileron Carry Thru
4	MC0422280		Aileron Bellcrank Bushing
Elevator Cable Kit			
P/N CCKT-14G-ELE or CCKT-14S-ELE			
2	MC0510105-208		Elevator Forward
1	MC0510105-290		Elevator Aft Forward Lower
1	MC0510105-291		Elevator Aft Upper
1	MC0510105-58		Trim Wheel to Turnbuckle
1	MC0510105-57		Trim Wheel to Disconnect
1	MC0510105-44		Trim Actuator to Turnbuckle
1	MC0510105-45		Trim Actuator to Disconnect
1	MCS2295-25-71		Chain Trim Wheel
1	MCS2295-25-67		Chain Trim Actuator
4	MCS2294-25		Chain Connecting Link
Flap Cable Kit			
P/N CCKT-09G-FLP or CCKT-09S-FLP			
2	MC0510105-59		Flap Direct Upper
2	MC0510105-60		Flap Return Upper
1	MC0510105-63		Flap Return LH Lower
1	MC0510105-64		Flap Return RH Lower
1	MC0510105-61		Flap Direct LH Lower
1	MC0510105-21		Flap Return Forward
1	MC0510105-22		Flap Direct Forward
Rudder Cable Kit			
P/N CCKT-08G-RUD or CCKT-08S-RUD			
1	MC0510105-205		Rudder Forward LH
1	MC0510105-206		Rudder Forward RH
2	MC0510105-207		Rudder Aft
172F, G, H, I, K, L, F172F, G, H, K, L, FR172E, F, G, H 1965-1972			
S/N 17251823 thru 17259834 Note 1, F172-0086 thru F17200820 Note 2, FR1720001 thru FR17200288 Note 3			
Complete Cable Kit P/N CCKT172175-07G (Galvanized)			
Complete Cable Kit P/N CCKT172175-07S (Stainless)			
Complete Pulley Kit P/N PULL-KT-20* or PULL-KT-21*			
Qty	P/N	Galv SS	Location
1	MC0510105-70		Parking Brake Cable
1	MC0713070-28		Cable Assembly Park Brake
Aileron Cable Kit			
P/N CCKT-13G-AIL or CCKT-13S-AIL			
1	MC0510105-213		Aileron Yoke Primary
1	MC0510105-215		Aileron Yoke LH
1	MC0510105-214		Aileron Yoke RH
1	MC0510105-216		Aileron Yoke Transition
2	MC0510105-220		Trim Wheel to Turnbuckle
2	MC0510105-224		Aileron Direct
1	MC0510105-13		Aileron Carry Thru
4	MC0422280		Aileron Bellcrank Bushing
Elevator Cable Kit			
P/N CCKT-15G-ELE or CCKT-15S-ELE			
2	MC0510105-208		Elevator Forward
1	MC0510105-290		Elevator Aft Lower
1	MC0510105-291		Elevator Aft Upper
1	MC0510105-220		Trim Wheel to Turnbuckle
1	MC0510105-221		Trim Wheel to Disconnect
1	MC0510105-44		Trim Actuator to Turnbuckle
1	MC0510105-45		Trim Actuator to Disconnect
1	MCS2295P25-55		Chain Trim Wheel
1	MCS2295-25-67		Chain Trim Actuator
4	MCS2294-25		Chain Connecting Link
Flap Cable Kit			
P/N CCKT-10G-FLP or CCKT-10S-FLP			
2	MC0510105-93		Flap Direct & Retract
2	MC0510105-94		Flap Direct & Retract
Rudder Cable Kit			
P/N CCKT-09G-RUD or CCKT-09S-RUD			
1	MC0510105-239		Rudder LH
1	MC0510105-238		Rudder RH

172L, M, F172L, M, FR172H, J 1971-1975			
S/N 17259835 thru 17264202, Note 1, F17200821 thru F17201234, Note 2, FR17200289 thru FR17200559 Note 3			
Complete Cable Kit P/N CCKT172175-08G (Galvanized)			
Complete Cable Kit P/N CCKT172175-08S (Stainless)			
Complete Pulley Kit P/N PULL-KT-20*, -21* or -22*			
Qty	P/N	Galv SS	Location
1	MC0510105-232		Parking Brake Cable
1	MC0713070-28		Cable Assembly Park Brake
Aileron Cable Kit			
P/N CCKT-13G-AIL or CCKT-13S-AIL			
1	MC0510105-213		Aileron Yoke Primary
1	MC0510105-215		Aileron Yoke LH
1	MC0510105-214		Aileron Yoke RH
1	MC0510105-216		Aileron Yoke Transition
2	MC0510105-224		Aileron Direct
2	MC0510105-224		Aileron Direct
1	MC0510105-13		Aileron Carry Thru
4	MC0422280		Aileron Bellcrank Bushing
Elevator Cable Kit			
P/N CCKT-15G-ELE or CCKT-15S-ELE			
2	MC0510105-208		Elevator Forward
1	MC0510105-290		Elevator Aft Lower
1	MC0510105-291		Elevator Aft Upper
1	MC0510105-220		Trim Wheel to Turnbuckle
1	MC0510105-221		Trim Wheel to Disconnect
1	MC0510105-44		Trim Actuator to Turnbuckle
1	MC0510105-45		Trim Actuator to Disconnect
1	MCS2295P25-55		Chain Trim Wheel
1	MCS2295-25-67		Chain Trim Actuator
4	MCS2294-25		Chain Connecting Link
Flap Cable Kit			
P/N CCKT-10G-FLP or CCKT-10S-FLP			
2	MC0510105-93		Flap Direct & Retract
2	MC0510105-94		Flap Direct & Retract
Rudder Cable Kit			
P/N CCKT-09G-RUD or CCKT-09S-RUD			
1	MC0510105-205		Rudder Forward LH
1	MC0510105-206		Rudder Forward RH
2	MC0510105-207		Rudder Aft
Note 1: S/N 17259904 thru 17263458 USE PULL-KT-20 S/N 17263459 thru 17264202 USE PULL-KT-22 Note 2: USE PULL-KT-20 Note 3: USE PULL-KT-21			
172M, F172M 1975			
S/N 17264203 thru 17265684, F17201235 thru F17201384			
Complete Cable Kit P/N CCKT172175-09G (Galvanized)			
Complete Cable Kit P/N CCKT172175-09S (Stainless)			
Complete Pulley Kit P/N PULL-KT-22*			
Qty	P/N	Galv SS	Location
1	MC0510105-232		Parking Brake Cable
1	MC0713070-28		Cable Assembly Park Brake
Aileron Cable Kit			
P/N CCKT-13G-AIL or CCKT-13S-AIL			
1	MC0510105-213		Aileron Yoke Primary
1	MC0510105-215		Aileron Yoke LH
1	MC0510105-214		Aileron Yoke RH
1	MC0510105-216		Aileron Yoke Transition
2	MC0510105-224		Aileron Direct
1	MC0510105-13		Aileron Carry Thru
4	MC0422280		Aileron Bellcrank Bushing
Elevator Cable Kit			
P/N CCKT-15G-ELE or CCKT-15S-ELE			
2	MC0510105-208		Elevator Forward
1	MC0510105-290		Elevator Aft Lower
1	MC0510105-291		Elevator Aft Upper
1	MC0510105-220		Trim Wheel to Turnbuckle
1	MC0510105-221		Trim Wheel to Disconnect
1	MC0510105-44		Trim Actuator to Turnbuckle
1	MC0510105-45		Trim Actuator to Disconnect
1	MCS2295P25-55		Chain Trim Wheel
1	MCS2295-25-67		Chain Trim Actuator
4	MCS2294-25		Chain Connecting Link
Flap Cable Kit			
P/N CCKT-10G-FLP or CCKT-10S-FLP			
2	MC0510105-93		Flap Direct & Retract
2	MC0510105-94		Flap Direct & Retract
Rudder Cable Kit			
P/N CCKT-09G-RUD or CCKT-09S-RUD			
1	MC0510105-239		Rudder LH
1	MC0510105-238		Rudder RH

* See pages 191-192 for Pulley Kit Components
 1 Partial model eligibility
 2 Included in both galvanized and stainless kits.
 3 Due to inconsistency in OEM parts these flap cables should be replaced at the same time.

Flight Control System

Flight Control Cables - Cessna

172M, N, F172M, FR172J, 1976-1979 R172K, 1977-1978 S/N 17265685 thru 17270454, F17201385 thru F17201749, F17200571 thru FR17200640, Note 1 R1722000 thru R1722822, Note 2 Complete Cable Kit P/N CCKT172175-10G (Galvanized) Complete Cable Kit P/N CCKT172175-10S (Stainless) Complete Pulley Kit P/N PULL-KT-22*, -21*			
Qty	P/N	Galv	SS Location
1	MC0510105-232	2	Parking Brake Cable
1	MC0713070-28	2	Cable Assembly Park Brake
Aileron Cable Kit			
P/N CCKT-14G-AIL or CCKT-14S-AIL			
1	MC0510105-241 or 341		Aileron Yoke Primary
1	MC0510105-243 or 343		Aileron Yoke LH
1	MC0510105-242 or 342		Aileron Yoke RH
1	MC0510105-244 or 344		Aileron Yoke Transition
2	MC0510105-224 or 324		Aileron Direct
1	MC0510105-13 or 113		Aileron Carry Thru
4	MC0422280		Aileron Bellcrank Bushing
Elevator Cable Kit			
P/N CCKT-15G-ELE or CCKT-15S-ELE			
2	MC0510105-208 or 308		Elevator Forward
1	MC0510105-290 or 390		Elevator Aft Lower
1	MC0510105-291 or 391		Elevator Aft Upper
1	MC0510105-220 or 320		Trim Wheel to Turnbuckle
1	MC0510105-221 or 321		Trim Wheel to Disconnect
1	MC0510105-44 or 144		Trim Actuator to Turnbuckle
1	MC0510105-45 or 145		Trim Actuator to Disconnect
1	MCS2295P25-55		Chain Trim Wheel
1	MCS2295-25-67		Chain Trim Actuator
4	MCS2294-25		Chain Connecting Link
Flap Cable Kit			
P/N CCKT-10G-FLP or CCKT-10S-FLP			
2	MC0510105-93 or 193	6	Flap Direct & Retract
2	MC0510105-94 or 194	6	Flap Direct & Retract
Rudder Cable Kit			
P/N CCKT-09G-RUD or CCKT-09S-RUD			
1	MC0510105-239 or 339		Rudder LH
1	MC0510105-238 or 338		Rudder RH
Note 1: S/N FR17200571 thru FR17200590 USE PULL-KT-21, FR17200591 thru FR17200640 pulley kit not available.			
Note 2: Pulley kit not available			
172N, F172N, P1, FR172K, 1978-1982 R172K, 1978-1980 S/N 17270455 thru 17273850, F17201750 thru F17202039, FR17200641 thru FR17200675, Note 1 R1722823 thru R1723353, Note 1 Complete Cable Kit P/N CCKT172175-11G (Galvanized) Complete Cable Kit P/N CCKT172175-11S (Stainless) Complete Pulley Kit P/N PULL-KT-22*			
Qty	P/N	Galv	SS Location
1	MC0510105-232	2	Parking Brake Cable
1	MC0713070-28	2	Cable Assembly Park Brake
Aileron Cable Kit			
P/N CCKT-15G-AIL or CCKT-15S-AIL			
1	MC0510105-241 or 341		Aileron Yoke Primary
1	MC0510105-243 or 343		Aileron Yoke LH
1	MC0510105-242 or 342		Aileron Yoke RH
1	MC0510105-244 or 344		Aileron Yoke Transition
1	MC0510105-220 or 320		Trim Wheel to Turnbuckle
2	MC0510105-260 or 360		Aileron Direct to Top
2	MC0510105-262 or 362		Aileron Direct to Bellcrank
1	MC0510105-264 or 364		Cross to LH Bellcrank
1	MC0510105-265 or 365		Cross to RH Bellcrank
4	MC0422280		Aileron Bellcrank Bushing
Elevator Cable Kit			
P/N CCKT-16G-ELE or CCKT-16S-ELE			
2	MC0510105-208 or 308		Elevator Forward
1	MC0510105-291 or 391		Elevator Aft Upper
1	MC0510105-290 or 390		Elevator Aft Lower
1	MC0510105-221 or 321		Trim Wheel to Disconnect
1	MC0510105-44 or 144		Trim Actuator to Turnbuckle
1	MC0510105-45 or 145		Trim Actuator to Disconnect
1	MCS2295P25-55		Chain Trim Wheel
1	MCS2295-25-67		Chain Trim Actuator
4	MCS2294-25		Chain Connecting Link
Flap Cable Kit			
P/N CCKT-10G-FLP or CCKT-10S-FLP			
2	MC0510105-93 or 193	6	Flap Direct & Retract
2	MC0510105-94 or 194	6	Flap Direct & Retract
Rudder Cable Kit			
P/N CCKT-09G-RUD or CCKT-09S-RUD			
1	MC0510105-239 or 339		Rudder LH
1	MC0510105-238 or 338		Rudder RH
Note 1: Pulley kit not available			
172N, P1, 1980, 1982, R172K, 1980-81 S/N 17273851 thru 17275187, S/N R1723354 thru R1723454 Note 1 Complete Cable Kit P/N CCKT172175-12G (Galvanized) Complete Cable Kit P/N CCKT172175-12S (Stainless) Complete Pulley Kit P/N PULL-KT-22*			
Qty	P/N	Galv	SS Location
1	MC0510105-278	2	Parking Brake Cable
1	MC0713070-28	2	Cable Assembly Park Brake

Continued from previous column Aileron Cable Kit P/N CCKT-15G-AIL or CCKT-15S-AIL 1 MC0510105-241 or 341 Aileron Yoke Primary 1 MC0510105-243 or 343 Aileron Yoke LH 1 MC0510105-242 or 342 Aileron Yoke RH 1 MC0510105-244 or 344 Aileron Yoke Transition 2 MC0510105-260 or 360 Aileron Direct to Top 2 MC0510105-262 or 362 Aileron Direct to Bellcrank 1 MC0510105-264 or 364 Cross to LH Bellcrank 1 MC0510105-265 or 365 Cross to RH Bellcrank 4 MC0422280 Aileron Bellcrank Bushing Elevator Cable Kit P/N CCKT-15G-ELE or CCKT-15S-ELE 2 MC0510105-208 or 308 Elevator Forward 1 MC0510105-291 or 391 Elevator Aft Upper 1 MC0510105-290 or 390 Elevator Aft Lower 1 MC0510105-220 or 320 Trim Wheel to Turnbuckle 1 MC0510105-221 or 321 Trim Wheel to Disconnect 1 MC0510105-44 or 144 Trim Actuator to Turnbuckle 1 MC0510105-45 or 145 Trim Actuator to Disconnect 1 MCS2295P25-55 Chain Trim Wheel 1 MCS2295-25-67 Chain Trim Actuator 4 MCS2294-25 Chain Connecting Link Flap Cable Kit P/N CCKT-10G-FLP or CCKT-10S-FLP 2 MC0510105-93 or 193 Flap Direct & Retract 2 MC0510105-94 or 194 Flap Direct & Retract Rudder Cable Kit P/N CCKT-09G-RUD or CCKT-09S-RUD 1 MC0510105-239 or 339 Rudder LH 1 MC0510105-238 or 338 Rudder RH Note 1: Pulley kit not available 172P, Q, 1982-1986, 172R, S 1996 and On S/N 17275188 thru 17276673 Note 1 17280001 and On, 172S8001 and On Note 2 Complete Cable Kit P/N CCKT172175-13G (Galvanized) Complete Cable Kit P/N CCKT172175-13S (Stainless) Complete Pulley Kit P/N PULL-KT-19*, -22*			
Qty	P/N	Galv	SS Location
1	MC0510105-278	2	Parking Brake
1	MC0713070-28	2	Cable Assembly Park Brake
Aileron Cable Kit			
P/N CCKT-15G-AIL or CCKT-15S-AIL			
1	MC0510105-241 or 341		Aileron Yoke Primary
1	MC0510105-243 or 343		Aileron Yoke LH
1	MC0510105-242 or 342		Aileron Yoke RH
1	MC0510105-244 or 344		Aileron Yoke Transition
2	MC0510105-260 or 360		Aileron Direct to Top
2	MC0510105-262 or 362		Aileron Direct to Bellcrank
1	MC0510105-264 or 364		Cross to LH Bellcrank
1	MC0510105-265 or 365		Cross to RH Bellcrank
4	MC0422280		Aileron Bellcrank Bushing
Elevator Cable Kit			
P/N CCKT-16G-ELE or CCKT-16S-ELE			
2	MC0510105-208 or 308		Elevator Forward
1	MC0510105-291 or 391		Elevator Aft Upper
1	MC0510105-290 or 390		Elevator Aft Lower
1	MC0510105-44 or 144		Trim Actuator to Turnbuckle
1	MC0510105-45 or 145		Trim Actuator to Disconnect
1	MCS2295P25-67		Chain Trim Actuator
1	MCS2295-25-59		Chain Trim Wheel
4	MCS2294-25		Chain Connecting Link
Flap Cable Kit			
P/N CCKT-10G-FLP or CCKT-10S-FLP			
2	MC0510105-93 or 193	6	Flap Direct & Retract
2	MC0510105-94 or 194	6	Flap Direct & Retract
Rudder Cable Kit			
P/N CCKT-09G-RUD or CCKT-09S-RUD			
1	MC0510105-239 or 339		Rudder LH
1	MC0510105-238 or 338		Rudder RH
Note 1: S/N 17275188 thru 17276673 USE PULL-KT-22			
Note 2: S/N 17280001 and On USE PULL-KT-19			
S/N 172S8001 and On USE PULL-KT-19			
F172E 1964 S/N F1720019 thru F1720085 Complete Cable Kit P/N CCKT172175-14G (Galvanized) Complete Cable Kit P/N CCKT172175-14S (Stainless) Complete Pulley Kit P/N PULL-KT-19*			
Qty	P/N	Galv	SS Location
1	MC0510105-70 or 170		Parking Brake
1	MC0713070-28	2	Cable Assembly Park Brake
Aileron Cable Kit			
P/N CCKT-16G-AIL or CCKT-16S-AIL			
1	MC0510105-213 or 313		Aileron Yoke Primary
1	MC0510105-215 or 315		Aileron Yoke LH
1	MC0510105-214 or 314		Aileron Yoke RH
1	MC0510105-216 or 316		Aileron Yoke Transition
1	MC0510105-217 or 317		Aileron Direct
1	MC0510105-13 or 113		Aileron Carry Thru
4	MC0422280		Aileron Bellcrank Bushing

Continued from previous column Elevator Cable Kit P/N CCKT-14G-ELE or CCKT-14S-ELE 2 MC0510105-208 or 308 Elevator Forward 1 MC0510105-290 or 390 Elevator Aft Lower 1 MC0510105-291 or 391 Elevator Aft Upper 1 MC0510105-58 or 158 Trim Wheel to Turnbuckle 1 MC0510105-57 or 157 Trim Wheel to Disconnect 1 MC0510105-44 or 144 Trim Actuator to Turnbuckle 1 MC0510105-45 or 145 Trim Actuator to Disconnect 1 MCS2295-25-71 Chain Trim Wheel 1 MCS2295-25-67 Chain Trim Actuator 4 MCS2294-25 Chain Connecting Link Flap Cable Kit P/N CCKT-09G-FLP or CCKT-09S-FLP 2 MC0510105-59 or 159 Flap Direct Upper 2 MC0510105-60 or 160 Flap Return Upper 1 MC0510105-63 or 163 Flap Return LH Lower 1 MC0510105-64 or 164 Flap Return RH Lower 1 MC0510105-61 or 161 Flap Direct LH Lower 1 MC0510105-62 or 162 Flap Direct RH Lower 1 MC0510105-21 or 121 Flap Return Forward 1 MC0510105-22 or 122 Flap Direct Forward Rudder Cable Kit P/N CCKT-08G-RUD or CCKT-08S-RUD 1 MC0510105-205 or 305 Rudder Forward LH 1 MC0510105-206 or 306 Rudder Forward RH 2 MC0510105-207 or 307 Rudder Aft F172P, 1982-1986 S/N F17202170 thru F17202254 Complete Cable Kit P/N CCKT172175-15G (Galvanized) Complete Cable Kit P/N CCKT172175-15S (Stainless) Complete Pulley Kit P/N PULL-KT-22*			
Qty	P/N	Galv	SS Location
1	MC0510105-232	2	Parking Brake Cable
1	MC0713070-28	2	Cable Assembly Park Brake
Aileron Cable Kit			
P/N CCKT-15G-AIL or CCKT-15S-AIL			
1	MC0510105-241 or 341		Aileron Yoke Primary
1	MC0510105-243 or 343		Aileron Yoke LH
1	MC0510105-242 or 342		Aileron Yoke RH
1	MC0510105-244 or 344		Aileron Yoke Transition
2	MC0510105-260 or 360		Aileron Direct to Top
2	MC0510105-262 or 362		Aileron Direct to Bellcrank
1	MC0510105-264 or 364		Cross to LH Bellcrank
1	MC0510105-265 or 365		Cross to RH Bellcrank
4	MC0422280		Aileron Bellcrank Bushing
Elevator Cable Kit			
P/N CCKT-16G-ELE or CCKT-16S-ELE			
2	MC0510105-208 or 308		Elevator Forward
1	MC0510105-291 or 391		Elevator Aft Upper
1	MC0510105-290 or 390		Elevator Aft Lower
1	MC0560051-4 or 104		Trim Wheel to Turnbuckle
1	MC0560051-5 or 105		Trim Wheel to Disconnect
1	MC0510105-44 or 144		Trim Actuator to Turnbuckle
1	MC0510105-45 or 145		Trim Actuator to Disconnect
1	MCS2295P25-67		Chain Trim Actuator
1	MCS2295P25-59		Chain Trim Wheel
4	MCS2294-25		Chain Connecting Link
Flap Cable Kit			
P/N CCKT-10G-FLP or CCKT-10S-FLP			
2	MC0510105-93 or 193	6	Flap Direct & Retract
2	MC0510105-94 or 194	6	Flap Direct & Retract
Rudder Cable Kit			
P/N CCKT-09G-RUD or CCKT-09S-RUD			
1	MC0510105-239 or 339		Rudder LH
1	MC0510105-238 or 338		Rudder RH
FR172J, 1975-1976			
S/N FR17200560 thru FR17200570			
Complete Cable Kit P/N CCKT172175-16G (Galvanized)			
Complete Cable Kit P/N CCKT172175-16S (Stainless)			
Complete Pulley Kit P/N PULL-KT-21*			
Qty	P/N	Galv	SS Location
1	MC0510105-232	2	Parking Brake
1	MC0713070-28	2	Cable Assembly Park Brake
Aileron Cable Kit			
P/N CCKT-14G-AIL or CCKT-14S-AIL			
1	MC0510105-241 or 341		Aileron Yoke Primary
1	MC0510105-243 or 343		Aileron Yoke LH
1	MC0510105-242 or 342		Aileron Yoke RH
1	MC0510105-244 or 344		Aileron Yoke Transition
2	MC0510105-224 or 324		Aileron Direct
1	MC0510105-13 or 113		Aileron Carry Thru
4	MC0422280		Aileron Bellcrank Bushing
Elevator Cable Kit			
P/N CCKT-15G-ELE or CCKT-15S-ELE			
2	MC0510105-208 or 308		Elevator Forward
1	MC0510105-291 or 391		Elevator Aft Upper
1	MC0510105-290 or 390		Elevator Aft Lower

Flight Control System



Flight Control System

Continued from previous page

Qty	P/N	Galv	SS	Location
1	MC0510105-221 or 321			Trim Wheel to Disconnect
1	MC0510105-44 or 144			Trim Actuator to Turnbuckle
1	MC0510105-45 or 145			Trim Actuator to Disconnect
1	MCS2295P25-55			Chain Trim Wheel
1	MCS2295-25-67			Chain Trim Actuator
4	MCS2294-25			Chain Connecting Link
Flap Cable Kit				
P/N CCKT-10G-FLP or CCKT-10S-FLP				
2	MC0510105-93 or 193	6		Flap Direct & Retract
2	MC0510105-94 or 194	6		Flap Direct & Retract
Rudder Cable Kit				
P/N CCKT-08G-RUD or CCKT-08S-RUD				
1	MC0510105-205 or 305			Rudder Forward LH
1	MC0510105-206 or 306			Rudder Forward RH
2	MC0510105-207 or 307			Rudder Aft
172RG 1980				
S/N 172RG0001 thru 172RG0076				
Complete Cable Kit P/N CCKT172RG-01G (Galvanized)				
Complete Cable Kit P/N CCKT172RG-01S (Stainless)				
Qty	P/N	Galv	SS	Location
1	MC0510105-232	2		Parking Brake
Aileron Cable Kit				
P/N CCKT-17G-AIL or CCKT-17S-AIL				
1	MC0510105-241 or 341			Aileron Yoke Primary
1	MC0510105-243 or 343			Aileron Yoke LH
1	MC0510105-242 or 342			Aileron Yoke RH
1	MC0510105-244 or 344			Aileron Yoke Transition
2	MC0510105-277 or 377			Aileron Direct to Yoke
2	MC0510105-262 or 362			Aileron Direct to Bellcrank
2	MC0510105-265 or 365			Aileron Carry Thru RH
2	MC0510105-264 or 364			Aileron Carry Thru LH
4	MC0422280			Aileron Bellcrank Bushing
Elevator Cable Kit				
P/N CCKT-17G-ELE or CCKT-17S-ELE				
2	MC0510105-269 or 369			Elevator Forward
1	MC0510105-293 or 393			Elevator Aft Upper
1	MC0510105-292 or 392			Elevator Aft Lower
1	MC0560051-6 or 106			Trim Wheel to Turnbuckle
1	MC0560051-7 or 107			Trim Wheel to Disconnect
1	MC0510105-44 or 144			Trim Actuator to Turnbuckle
1	MC0510105-45 or 145			Trim Actuator to Disconnect
1	MCS2295P25-59			Chain Trim Wheel
1	MCS2295P25-67			Chain Trim Actuator
4	MCS2294-25			Chain Connecting Link
Flap Cable Kit				
P/N CCKT-10G-FLP or CCKT-10S-FLP				
2	MC0510105-93 or 193	6		Flap Direct and Retract
2	MC0510105-94 or 194	6		Flap Direct and Retract
Rudder Cable Kit				
P/N CCKT-10G-RUD or CCKT-10S-RUD				
1	MC0510105-272 or 372			Rudder Forward LH
1	MC0510105-271 or 371			Rudder Forward RH
2	MC0510105-270 or 370			Rudder Aft
1	MCS2295P25-29			Chain, Rudder Trim Forward
1	MCS2295P25-93			Chain, Rudder Trim Aft
172RG 1980-1985				
S/N 172RG0077 thru 172RG1191				
Complete Cable Kit P/N CCKT172RG-02G (Galvanized)				
Complete Cable Kit P/N CCKT172RG-02S (Stainless)				
Qty	P/N	Galv	SS	Location
1	MC0510105-278	2		Parking Brake
Aileron Cable Kit				
P/N CCKT-17G-AIL or CCKT-17S-AIL				
1	MC0510105-241 or 341			Aileron Yoke Primary
1	MC0510105-243 or 343			Aileron Yoke LH
1	MC0510105-242 or 342			Aileron Yoke RH
1	MC0510105-244 or 344			Aileron Yoke Transition
2	MC0510105-277 or 377			Aileron Direct to Yoke
2	MC0510105-262 or 362			Aileron Direct to Bellcrank
2	MC0510105-265 or 365			Aileron Carry Thru RH
2	MC0510105-264 or 364			Aileron Carry Thru LH
4	MC0422280			Aileron Bellcrank Bushing
Elevator Cable Kit				
P/N CCKT-17G-ELE or CCKT-17S-ELE				
2	MC0510105-269 or 369			Elevator Forward
1	MC0510105-293 or 393			Elevator Aft Upper
1	MC0510105-292 or 392			Elevator Aft Lower
1	MC0560051-6 or 106			Trim Wheel to Turnbuckle
1	MC0560051-7 or 107			Trim Wheel to Disconnect
1	MC0510105-44 or 144			Trim Actuator to Turnbuckle
1	MC0510105-45 or 145			Trim Actuator to Disconnect
1	MCS2295P25-59			Chain Trim Wheel
1	MCS2295P25-67			Chain Trim Actuator
4	MCS2294-25			Chain Connecting Link
2	MC0510105-262 or 362			Aileron Direct to Bellcrank
2	MC0510105-265 or 365			Aileron Carry Thru RH
2	MC0510105-264 or 364			Aileron Carry Thru LH
4	MC0422280			Aileron Bellcrank Bushing
Flap Cable Kit				
P/N CCKT-10G-FLP or CCKT-10S-FLP				
2	MC0510105-93 or 193	6		Flap Direct and Retract
2	MC0510105-94 or 194	6		Flap Direct and Retract

Continued from previous column

Qty	P/N	Galv	SS	Location
Rudder Cable Kit				
P/N CCKT-10G-RUD or CCKT-10S-RUD				
1	MC0510105-272 or 372			Rudder Forward LH
1	MC0510105-271 or 371			Rudder Forward RH
2	MC0510105-270 or 370			Rudder Aft
1	MCS2295P25-29			Chain, Rudder Trim Forward
1	MCS2295P25-93			Chain, Rudder Trim Aft
177 1968-1978				
S/N 17700001 thru 17701164				
Qty	P/N	Galv	SS	Location
1	MC0510105-232			Parking Brake
1	MC0510105-70			Parking Brake
180 1953-1955				
S/N 30000 thru 32150				
Complete Cable Kit P/N CCKT180-01G (Galvanized)				
Complete Cable Kit P/N CCKT180-01S (Stainless Steel)				
Complete Pulley Kit P/N PULL-KT-24*				
Qty	P/N	Galv	SS	Location
2	MC0510105-123	2		Tailwheel Steering
1	MC0510105-70 or 170			Parking Brake
Aileron Cable Kit				
P/N CCKT-10G-AIL or CCKT-10S-AIL				
2	MC0510105-16 or 116			Aileron Direct
1	MC0510105-13 or 113			Aileron Carry Thru
4	MC0422280			Aileron Bellcrank Bushing
Elevator Cable Kit				
P/N CCKT-18G-ELE or CCKT-18S-ELE				
1	MC0510105-24 or 124			Elevator Upper
1	MC0510105-25 or 125			Elevator Lower
2	MC0510105-28 or 128			Stabilator Trim Forward
2	MC0510105-29 or 129			Stabilator Trim Aft
1	MC0432138-2			Chain Trim Forward
1	MCS2295-25-185			Chain Stab Trim Aft
4	MCS2294-25			Chain Connecting Link
Flap Cable Kit				
P/N CCKT-09G-FLP or CCKT-09S-FLP				
2	MC0510105-59 or 159			Flap Direct Outboard
2	MC0510105-60 or 160			Flap Return Outboard
1	MC0510105-63 or 163			Flap Return Inboard LH
1	MC0510105-64 or 164			Flap Return Inboard RH
1	MC0510105-61 or 161			Flap Direct Inboard LH
1	MC0510105-62 or 162			Flap Direct Inboard RH
1	MC0510105-21 or 121			Flap Return Forward
1	MC0510105-22 or 122			Flap Direct Forward
Rudder Cable Kit				
P/N CCKT-11G-RUD or CCKT-11S-RUD				
2	MC0510105-26 or 126			Rudder Control
180A 1956-1958				
S/N 32151 thru 50355				
Complete Cable Kit P/N CCKT180-02G (Galvanized)				
Complete Cable Kit P/N CCKT180-02S (Stainless Steel)				
Complete Pulley Kit P/N PULL-KT-24*				
Qty	P/N	Galv	SS	Location
2	MC0510105-153	2		Tailwheel Steering
1	MC0510105-70 or 170			Parking Brake
Aileron Cable Kit				
P/N CCKT-10G-AIL or CCKT-10S-AIL				
2	MC0510105-16 or 116			Aileron Direct
1	MC0510105-13 or 113			Aileron Carry Thru
4	MC0422280			Aileron Bellcrank Bushing
Elevator Cable Kit				
P/N CCKT-18G-ELE or CCKT-18S-ELE				
1	MC0510105-24 or 124			Elevator Upper
1	MC0510105-25 or 125			Elevator Lower
2	MC0510105-28 or 128			Stabilator Trim Forward
2	MC0510105-29 or 129			Stabilator Trim Aft
1	MC0432138-2			Chain Trim Forward
1	MCS2295-25-185			Chain Stab Trim Aft
4	MCS2294-25			Chain Connecting Link
Flap Cable Kit				
P/N CCKT-09G-FLP or CCKT-09S-FLP				
2	MC0510105-59 or 159			Flap Direct Outboard
2	MC0510105-60 or 160			Flap Return Outboard
1	MC0510105-63 or 163			Flap Return Inboard LH
1	MC0510105-64 or 164			Flap Return Inboard RH
1	MC0510105-61 or 161			Flap Direct Inboard LH
1	MC0510105-62 or 162			Flap Direct Inboard RH
1	MC0510105-21 or 121			Flap Return Forward
1	MC0510105-22 or 122			Flap Direct Forward
Rudder Cable Kit				
P/N CCKT-12G-RUD or CCKT-12S-RUD				
1	MC0510105-51 or 151			Rudder Forward LH
1	MC0510105-71 or 171			Rudder Forward RH
2	MC0510105-52 or 152			Rudder Aft
<i>Available separately for aircraft with camera option</i>				
1	MC0510105-128			Stabilizer Trim with Camera
1	MC0510105-167			Rudder LH with Camera
1	MC0510105-168			Rudder RH with Camera
1	MC0510105-131			Elevator Up with Camera
1	MC0510105-132			Elevator Down with Camera

180B 1959				
S/N 50356 thru 50661				
Complete Cable Kit P/N CCKT180-13G (Galvanized)				
Complete Cable Kit P/N CCKT180-13S (Stainless Steel)				
Complete Pulley Kit P/N PULL-KT-24*				
Qty	P/N	Galv	SS	Location
2	MC0510105-153	2		Tailwheel Steering
1	MC0510105-70 or 170			Parking Brake
1	MC0713070-28			Cable Assembly Park Brake
Aileron Cable Kit				
P/N CCKT-10G-AIL or CCKT-10S-AIL				
2	MC0510105-16 or 116			Aileron Direct
1	MC0510105-13 or 113			Aileron Carry Thru
4	MC0422280			Aileron Bellcrank Bushing
Elevator Cable Kit				
P/N CCKT-19G-ELE or CCKT-19S-ELE				
1	MC0510105-24 or 124			Elevator Upper
1	MC0510105-25 or 125			Elevator Lower
1	MC0510105-79 or 179			Elevator Trim
2	MC0510105-28 or 128			Stabilator Trim Forward
2	MC0510105-29 or 129			Stabilator Trim Aft
1	MC0432138-2			Chain Trim Forward
1	MCS2295-25-185			Chain Stab Trim Aft
4	MCS2294-25			Chain Connecting Link
Flap Cable Kit				
P/N CCKT-09G-FLP or CCKT-09S-FLP				
2	MC0510105-59 or 159			Flap Direct Outboard
2	MC0510105-60 or 160			Flap Return Outboard
1	MC0510105-63 or 163			Flap Return Inboard LH
1	MC0510105-64 or 164			Flap Return Inboard RH
1	MC0510105-61 or 161			Flap Direct Inboard LH
1	MC0510105-62 or 162			Flap Direct Inboard RH
1	MC0510105-21 or 121			Flap Return Forward
1	MC0510105-22 or 122			Flap Direct Forward
Rudder Cable Kit				
P/N CCKT-12G-RUD or CCKT-12S-RUD				
1	MC0510105-51 or 151			Rudder Forward LH
1	MC0510105-71 or 171			Rudder Forward RH
2	MC0510105-52 or 152			Rudder Aft
<i>Available separately for aircraft with camera option</i>				
1	MC0510105-128			Stabilizer Trim with Camera
1	MC0510105-167			Rudder LH with Camera
1	MC0510105-168			Rudder RH with Camera
1	MC0510105-131			Elevator Up with Camera
1	MC0510105-132			Elevator Down with Camera

* See pages 191-192 for Pulley Kit Components
 1 Partial model eligibility
 2 Included in both galvanized and stainless kits.
 6 Due to inconsistency in OEM parts these flap cables should be replaced at the same time.

Flight Control System

Flight Control Cables - Cessna

180C D, E, F, G 1960-1964
S/N 50745, 50748 thru 18051410
Complete Cable Kit P/N CCKT180-04G (Galvanized)
Complete Cable Kit P/N CCKT180-04S (Stainless Steel)
Complete Pulley Kit P/N PULL-KT-25* or -26* Note 1

Qty	P/N	Galv	SS	Location
2	MC0510105-16	2		Tailwheel Steering
1	MC0510105-70		170	Parking Brake
1	MC0713070-28			Cable Assembly Park Brake

Aileron Cable Kit
P/N CCKT-10G-AIL or CCKT-10S-AIL

2	MC0510105-16	116		Aileron Direct
1	MC0510105-13	113		Aileron Carry Thru
4	MC0422280			Aileron Bellcrank Bushing

Elevator Cable Kit
P/N CCKT-20G-ELE or CCKT-20S-ELE

1	MC0510105-24	124		Elevator Upper
1	MC0510105-25	125		Elevator Lower
1	MC0510105-82	182		Elevator Trim
2	MC0510105-28	128		Stabilator Trim Forward
2	MC0510105-29	129		Stabilator Trim Aft
1	MC0432138-2			Chain Trim Forward
1	MCS2295-25-185			Chain Stab Trim Aft
4	MCS2294-25			Chain Connecting Link

Flap Cable Kit
P/N CCKT-09G-FLP or CCKT-09S-FLP

2	MC0510105-59	159		Flap Direct Outboard
2	MC0510105-60	160		Flap Return Outboard
1	MC0510105-63	163		Flap Return Inboard LH
1	MC0510105-64	164		Flap Return Inboard RH
1	MC0510105-61	161		Flap Direct Inboard LH
1	MC0510105-62	162		Flap Direct Inboard RH
1	MC0510105-21	121		Flap Return Forward
1	MC0510105-22	122		Flap Direct Forward

Rudder Cable Kit
P/N CCKT-12G-RUD or CCKT-12S-RUD

1	MC0510105-51	151		Rudder Forward LH
1	MC0510105-71	171		Rudder Forward RH

Available separately for aircraft with camera option

1	MC0510105-128			Stabilizer Trim with Camera
1	MC0510105-167			Rudder LH with Camera
1	MC0510105-168			Rudder RH with Camera
1	MC0510105-131			Elevator Up with Camera
1	MC0510105-132			Elevator Down with Camera

Note 1: S/N 50745, 50748 thru 18051183 USE PULL-KT-25
S/N 18051184 thru 18051410 USE PULL-KT-26

180G 1964
S/N 18051411 thru 18051445

Complete Cable Kit P/N CCKT180-05G (Galvanized)
Complete Cable Kit P/N CCKT180-05S (Stainless Steel)
Complete Pulley Kit P/N PULL-KT-26*

Qty	P/N	Galv	SS	Location
1	MC0510105-70		170	Parking Brake
1	MC0713070-28			Cable Assembly Park Brake

Aileron Cable Kit
P/N CCKT-10G-AIL or CCKT-10S-AIL

2	MC0510105-16	116		Aileron Direct
1	MC0510105-13	113		Aileron Carry Thru
2	MC0510105-323			Tailwheel Steering
4	MC0422280			Aileron Bellcrank Bushing

Elevator Cable Kit
P/N CCKT-20G-ELE or CCKT-20S-ELE

1	MC0510105-24	124		Elevator Upper
1	MC0510105-25	125		Elevator Lower
1	MC0510105-82	182		Elevator Trim
2	MC0510105-28	128		Stabilator Trim Forward
2	MC0510105-29	129		Stabilator Trim Aft
1	MC0432138-2			Chain Trim Forward
1	MCS2295-25-185			Chain Stab Trim Aft
4	MCS2294-25			Chain Connecting Link

Flap Cable Kit
P/N CCKT-09G-FLP or CCKT-09S-FLP

2	MC0510105-59	159		Flap Direct Outboard
2	MC0510105-60	160		Flap Return Outboard
1	MC0510105-63	163		Flap Return Inboard LH
1	MC0510105-64	164		Flap Return Inboard RH
1	MC0510105-61	161		Flap Direct Inboard LH
1	MC0510105-62	162		Flap Direct Inboard RH
1	MC0510105-21	121		Flap Return Forward
1	MC0510105-22	122		Flap Direct Forward

Rudder Cable Kit
P/N CCKT-13G-RUD or CCKT-13S-RUD

1	MC0510105-51	151		Rudder Forward LH
1	MC0510105-71	171		Rudder Forward RH
2	MC0510105-52	152		Rudder Aft
1	MC0510105-73	173		Rudder Bar Tie

Available separately for aircraft with camera option

1	MC0510105-128			Stabilizer Trim with Camera
1	MC0510105-167			Rudder LH with Camera
1	MC0510105-168			Rudder RH with Camera
1	MC0510105-131			Elevator Up with Camera
1	MC0510105-132			Elevator Down with Camera

180H 1965
S/N 18051446 thru 18051607
Complete Cable Kit P/N CCKT180-06G (Galvanized)
Complete Cable Kit P/N CCKT180-06S (Stainless Steel)
Complete Pulley Kit P/N PULL-KT-27*

Qty	P/N	Galv	SS	Location
2	MC0510105-323			Tailwheel Steering
1	MC0510105-70		170	Parking Brake

Aileron Cable Kit
P/N CCKT-18G-AIL or CCKT-18S-AIL

2	MC0510105-222	322		Aileron Direct
1	MC0510105-13	113		Aileron Carry Thru
1	MC0510105-215	315		Aileron Yoke LH
1	MC0510105-214	314		Aileron Yoke RH
1	MC0510105-213	313		Aileron Yoke Primary
1	MC0510105-216	316		Aileron Yoke Transition
4	MC0422280			Aileron Bellcrank Bushing

Elevator Cable Kit
P/N CCKT-20G-ELE or CCKT-20S-ELE

1	MC0510105-24	124		Elevator Upper
1	MC0510105-25	125		Elevator Lower
1	MC0510105-82	182		Elevator Trim
2	MC0510105-28	128		Stabilator Trim Forward
2	MC0510105-29	129		Stabilator Trim Aft
1	MC0432138-2			Chain Trim Forward
1	MCS2295-25-185			Chain Stab Trim Aft
4	MCS2294-25			Chain Connecting Link

Flap Cable Kit
P/N CCKT-09G-FLP or CCKT-09S-FLP

2	MC0510105-59	159		Flap Direct Outboard
2	MC0510105-60	160		Flap Return Outboard
1	MC0510105-63	163		Flap Return Inboard LH
1	MC0510105-64	164		Flap Return Inboard RH
1	MC0510105-61	161		Flap Direct Inboard LH
1	MC0510105-62	162		Flap Direct Inboard RH
1	MC0510105-21	121		Flap Return Forward
1	MC0510105-22	122		Flap Direct Forward

Rudder Cable Kit
P/N CCKT-13G-RUD or CCKT-13S-RUD

1	MC0510105-51	151		Rudder Forward LH
1	MC0510105-71	171		Rudder Forward RH
2	MC0510105-52	152		Rudder Aft
1	MC0510105-73	173		Rudder Bar Tie

Available separately for aircraft with camera option

1	MC0510105-128			Stabilizer Trim with Camera
1	MC0510105-167			Rudder LH with Camera
1	MC0510105-168			Rudder RH with Camera
1	MC0510105-131			Elevator Up with Camera
1	MC0510105-132			Elevator Down with Camera

180H 1966-1971
S/N 18051608 thru 18052206

Complete Cable Kit P/N CCKT180-07G (Galvanized)
Complete Cable Kit P/N CCKT180-07S (Stainless Steel)
Complete Pulley Kit P/N PULL-KT-28*

Qty	P/N	Galv	SS	Location
2	MC0510105-323			Tailwheel Steering
1	MC0510105-70		170	Parking Brake

Aileron Cable Kit
P/N CCKT-18G-AIL or CCKT-18S-AIL

2	MC0510105-222	322		Aileron Direct
1	MC0510105-13	113		Aileron Carry Thru
1	MC0510105-215	315		Aileron Yoke LH
1	MC0510105-214	314		Aileron Yoke RH
1	MC0510105-213	313		Aileron Yoke Primary
1	MC0510105-216	316		Aileron Yoke Transition
4	MC0422280			Aileron Bellcrank Bushing

Elevator Cable Kit
P/N CCKT-20G-ELE or CCKT-20S-ELE

1	MC0510105-24	124		Elevator Upper
1	MC0510105-25	125		Elevator Lower
1	MC0510105-82	182		Elevator Trim
2	MC0510105-28	128		Stabilator Trim Forward
2	MC0510105-29	129		Stabilator Trim Aft
1	MC0432138-2			Chain Trim Forward
1	MCS2295-25-185			Chain Stab Trim Aft
4	MCS2294-25			Chain Connecting Link

Flap Cable Kit
P/N CCKT-11G-FLP or CCKT-11S-FLP

2	MC0510105-225	325		Flap Direct Outboard
2	MC0510105-60	160		Flap Return Outboard
1	MC0510105-63	163		Flap Return Inboard LH
1	MC0510105-64	164		Flap Return Inboard RH
1	MC0510105-227	327		Flap Direct Inboard LH
1	MC0510105-226	326		Flap Direct Inboard RH
1	MC0510105-21	121		Flap Return Forward
1	MC0510105-22	122		Flap Direct Forward

Rudder Cable Kit
P/N CCKT-13G-RUD or CCKT-13S-RUD

1	MC0510105-51	151		Rudder Forward LH
1	MC0510105-71	171		Rudder Forward RH
2	MC0510105-52	152		Rudder Aft
1	MC0510105-73	173		Rudder Bar Tie

Available separately for aircraft with camera option

1	MC0510105-128			Stabilizer Trim with Camera
1	MC0510105-167			Rudder LH with Camera

Kit continues in next column

Continued from previous column

Qty	P/N	Galv	SS	Location
1	MC0510105-168			Rudder RH with Camera
1	MC0510105-131			Elevator Up with Camera
1	MC0510105-132			Elevator Down with Camera

180H, J 1971-1973
S/N 18052207 thru 18052331
Complete Cable Kit P/N CCKT180-08G (Galvanized)
Complete Cable Kit P/N CCKT180-08S (Stainless Steel)
Complete Pulley Kit P/N PULL-KT-83*

Qty	P/N	Galv	SS	Location
2	MC0510105-323			Tailwheel Steering
1	MC0510105-232			Parking Brake

Aileron Cable Kit
P/N CCKT-18G-AIL or CCKT-18S-AIL

2	MC0510105-222	322		Aileron Direct
1	MC0510105-13	113		Aileron Carry Thru
1	MC0510105-215	315		Aileron Yoke LH
1	MC0510105-214	314		Aileron Yoke RH
1	MC0510105-213	313		Aileron Yoke Primary
1	MC0510105-216	316		Aileron Yoke Transition
4	MC0422280			Aileron Bellcrank Bushing

Elevator Cable Kit
P/N CCKT-20G-ELE or CCKT-20S-ELE

1	MC0510105-24	124		Elevator Upper
1	MC0510105-25	125		Elevator Lower
1	MC0510105-82	182		Elevator Trim
2	MC0510105-28	128		Stabilator Trim Forward
2	MC0510105-29	129		Stabilator Trim Aft
1	MC0432138-2			Chain Trim Forward
1	MCS2295-25-185			Chain Stab Trim Aft
4	MCS2294-25			Chain Connecting Link

Flap Cable Kit
P/N CCKT-11G-FLP or CCKT-11S-FLP

2	MC0510105-225	325		Flap Direct Outboard
2	MC0510105-60	160		Flap Return Outboard
1	MC0510105-63	163		Flap Return Inboard LH
1	MC0510105-64	164		Flap Return Inboard RH
1	MC0510105-227	327		Flap Direct Inboard LH
1	MC0510105-226	326		Flap Direct Inboard RH</



Flight Control System

Continued from previous page			
Qty	P/N	Galv SS	Location
1	MC0510105-22	or 122	Flap Direct Forward
Rudder Cable Kit			
P/N CCKT-14G-RUD or CCKT-14S-RUD			
1	MC0510105-71	or 171	Rudder Forward LH
1	MC0510105-237	or 337	Rudder Forward RH
2	MC0510105-52	or 152	Rudder Aft
1	MC0510105-73	or 173	Rudder Bar Tie
<i>Available separately for aircraft with camera option</i>			
1	MC0510105-128		Stabilizer Trim with Camera
1	MC0510105-167		Rudder LH with Camera
1	MC0510105-168		Rudder RH with Camera
1	MC0510105-131		Elevator Up with Camera
1	MC0510105-132		Elevator Down with Camera
180J 1974-1976			
S/N 18052385 thru 18052770			
Complete Cable Kit P/N CCKT180-12G (Galvanized)			
Complete Cable Kit P/N CCKT180-12S (Stainless Steel)			
Complete Pulley Kit P/N PULL-KT-29*			
Qty	P/N	Galv SS	Location
2	MC0510105-323	2	Tailwheel Steering
1	MC0510105-232	2	Parking Brake
Aileron Cable Kit			
P/N CCKT-18G-AIL or CCKT-18S-AIL			
2	MC0510105-222	or 322	Aileron Direct
1	MC0510105-13	or 113	Aileron Carry Thru
1	MC0510105-215	or 315	Aileron Yoke LH
1	MC0510105-214	or 314	Aileron Yoke RH
1	MC0510105-213	or 313	Aileron Yoke Primary
1	MC0510105-216	or 316	Aileron Yoke Transition
4	MC0422280		Bellcrank Aileron Bushing
Elevator Cable Kit			
P/N CCKT-23G-ELE or CCKT-23S-ELE			
1	MC0510105-24	or 124	Elevator Upper
1	MC0510105-25	or 125	Elevator Lower
1	MC0510105-82	or 182	Elevator Trim
2	MC0510105-28	or 128	Stabilator Trim Forward
2	MC0510105-29	or 129	Stabilator Trim Aft
1	MC0432138-2		Chain Stab Trim Forward
1	MCS2295P25-185		Chain Stab Trim Aft
4	MCS2294-25		Chain Connecting Link
Flap Cable Kit			
P/N CCKT-11G-FLP or CCKT-11S-FLP			
2	MC0510105-225	or 325	Flap Direct Outboard
2	MC0510105-60	or 160	Flap Return Outboard
1	MC0510105-63	or 163	Flap Return Inboard LH
1	MC0510105-64	or 164	Flap Return Inboard RH
1	MC0510105-227	or 327	Flap Direct Inboard LH
1	MC0510105-226	or 326	Flap Direct Inboard RH
1	MC0510105-21	or 121	Flap Return Forward
1	MC0510105-22	or 122	Flap Direct Forward
Rudder Cable Kit			
P/N CCKT-14G-RUD or CCKT-14S-RUD			
1	MC0510105-71	or 171	Rudder Forward LH
1	MC0510105-237	or 337	Rudder Forward RH
2	MC0510105-52	or 152	Rudder Aft
1	MC0510105-73	or 173	Rudder Bar Tie
<i>Available separately for aircraft equipped with floats</i>			
1	MC0742022-1	3	Rudder Return
1	MC0742022-2	3	Rudder Return
180K 1977-1980			
S/N 18052771 thru 18053167			
Complete Cable Kit P/N CCKT180-10G (Galvanized)			
Complete Cable Kit P/N CCKT180-10S (Stainless Steel)			
Complete Pulley Kit P/N PULL-KT-29*			
Qty	P/N	Galv SS	Location
2	MC0760135-106	2	Tailwheel Steering
1	MC0510105-394	2	Tailwheel Lock
1	MC0510105-232	2	Parking Brake
Aileron Cable Kit			
P/N CCKT-19G-AIL or CCKT-19S-AIL			
2	MC0510105-222	or 322	Aileron Direct
1	MC0510105-13	or 113	Aileron Carry Thru
1	MC0760135-8	or 108	Aileron Yoke Primary
1	MC0510105-215	or 315	Aileron Yoke LH
1	MC0510105-214	or 314	Aileron Yoke RH
1	MC0510105-216	or 316	Aileron Yoke Transition
4	MC0422280		Bellcrank Aileron Bushing
Elevator Cable Kit			
P/N CCKT-21G-ELE or CCKT-21S-ELE			
1	MC0510105-24	or 124	Elevator Upper
1	MC0510105-25	or 125	Elevator Lower
1	MC0510105-82	or 182	Elevator Trim
2	MC0510105-28	or 128	Stabilator Trim Forward
2	MC0510105-29	or 129	Stabilator Trim Aft
1	MCS2295P25-321		Chain Stab Trim Forward
1	MCS2295P25-185		Chain Stab Trim Aft
4	MCS2294-25		Chain Connecting Link
Flap Cable Kit			
P/N CCKT-11G-FLP or CCKT-11S-FLP			
2	MC0510105-225	or 325	Flap Direct Outboard
2	MC0510105-60	or 160	Flap Return Outboard
1	MC0510105-63	or 163	Flap Return Inboard LH
1	MC0510105-64	or 164	Flap Return Inboard RH
1	MC0510105-227	or 327	Flap Direct Inboard LH
1	MC0510105-226	or 326	Flap Direct Inboard RH
1	MC0510105-21	or 121	Flap Return Forward
1	MC0510105-22	or 122	Flap Direct Forward

Continued from previous column			
Qty	P/N	Galv SS	Location
1	MC0510105-64	or 164	Flap Return Inboard RH
1	MC0510105-227	or 327	Flap Direct Inboard LH
1	MC0510105-226	or 326	Flap Direct Inboard RH
1	MC0510105-21	or 121	Flap Return Forward
1	MC0510105-22	or 122	Flap Direct Forward
Rudder Cable Kit			
P/N CCKT-14G-RUD or CCKT-14S-RUD			
1	MC0510105-71	or 171	Rudder Forward LH
1	MC0510105-237	or 337	Rudder Forward RH
2	MC0510105-52	or 152	Rudder Aft
1	MC0510105-73	or 173	Rudder Bar Tie
<i>Available separately for aircraft equipped with floats</i>			
1	MC0742022-1		Rudder Return
1	MC0742022-2		Rudder Return
180K 1981			
S/N 18053168 thru 18053203			
Complete Cable Kit P/N CCKT180-11G (Galvanized)			
Complete Cable Kit P/N CCKT180-11S (Stainless Steel)			
Complete Pulley Kit P/N PULL-KT-29*			
Qty	P/N	Galv SS	Location
2	MC0760135-106	2	Tailwheel Steering
1	MC0510105-394	2	Tailwheel Lock
1	MC0510105-278	2	Parking Brake
Aileron Cable Kit			
P/N CCKT-19G-AIL or CCKT-19S-AIL			
2	MC0510105-222	or 322	Aileron Direct
1	MC0510105-13	or 113	Aileron Carry Thru
1	MC0760135-8	or 108	Aileron Yoke Primary
1	MC0510105-215	or 315	Aileron Yoke LH
1	MC0510105-214	or 314	Aileron Yoke RH
1	MC0510105-216	or 316	Aileron Yoke Transition
4	MC0422280		Bellcrank Aileron Bushing
Elevator Cable Kit			
P/N CCKT-21G-ELE or CCKT-21S-ELE			
1	MC0510105-24	or 124	Elevator Upper
1	MC0510105-25	or 125	Elevator Lower
1	MC0510105-82	or 182	Elevator Trim
2	MC0510105-28	or 128	Stabilator Trim Forward
2	MC0510105-29	or 129	Stabilator Trim Aft
1	MCS2295P25-321		Chain Stab Trim Forward
1	MCS2295P25-185		Chain Stab Trim Aft
4	MCS2294-25		Chain Connecting Link
Flap Cable Kit			
P/N CCKT-11G-FLP or CCKT-11S-FLP			
2	MC0510105-225	or 325	Flap Direct Outboard
2	MC0510105-60	or 160	Flap Return Outboard
1	MC0510105-63	or 163	Flap Return Inboard LH
1	MC0510105-64	or 164	Flap Return Inboard RH
1	MC0510105-227	or 327	Flap Direct Inboard LH
1	MC0510105-226	or 326	Flap Direct Inboard RH
1	MC0510105-21	or 121	Flap Return Forward
1	MC0510105-22	or 122	Flap Direct Forward
Rudder Cable Kit			
P/N CCKT-14G-RUD or CCKT-14S-RUD			
1	MC0510105-71	or 171	Rudder Forward LH
1	MC0510105-237	or 337	Rudder Forward RH
2	MC0510105-52	or 152	Rudder Aft
1	MC0510105-73	or 173	Rudder Bar Tie
<i>Available separately for aircraft equipped with floats</i>			
1	MC0742022-1		Rudder Return
1	MC0742022-2		Rudder Return
182, 182A 1956-1958			
S/N 33000 thru 51556			
Complete Cable Kit P/N CCKT182-01G (Galvanized)			
Complete Cable Kit P/N CCKT182-01S (Stainless Steel)			
Complete Pulley Kit P/N PULL-KT-34*			
Qty	P/N	Galv SS	Location
1	MC0510105-70	or 170	Parking Brake
Aileron Cable Kit			
P/N CCKT-10G-AIL or CCKT-10S-AIL			
2	MC0510105-16	or 116	Aileron Direct
1	MC0510105-13	or 113	Aileron Carry Thru
4	MC0422280		Bellcrank Aileron Bushing
Elevator Cable Kit			
P/N CCKT-19G-ELE or CCKT-19S-ELE			
1	MC0510105-24	or 124	Elevator Upper
1	MC0510105-25	or 125	Elevator Lower
1	MC0510105-79	or 179	Elevator Trim
2	MC0510105-28	or 128	Stabilator Trim Forward
2	MC0510105-29	or 129	Stabilator Trim Aft
1	MC0432138-2		Chain Stab Trim Forward
1	MCS2295-25-185		Chain Stab Trim Aft
4	MCS2294-25		Chain Connecting Link
Flap Cable Kit			
P/N CCKT-09G-FLP or CCKT-09S-FLP			
2	MC0510105-59	or 159	Flap Direct Outboard
2	MC0510105-60	or 160	Flap Return Outboard
1	MC0510105-63	or 163	Flap Return Inboard LH
1	MC0510105-64	or 164	Flap Return Inboard RH
1	MC0510105-61	or 161	Flap Direct Inboard LH
1	MC0510105-62	or 162	Flap Direct Inboard RH
1	MC0510105-21	or 121	Flap Return Forward

Continued from previous column			
Qty	P/N	Galv SS	Location
1	MC0510105-22	or 122	Flap Direct Forward
Rudder Cable Kit			
P/N CCKT-15G-RUD or CCKT-15S-RUD			
1	MC0510105-26	or 126	Rudder Control LH
1	MC0510105-66	or 166	Rudder Control RH
1	MC0510105-73	or 173	Rudder Bar Tie
182B 1959			
S/N 51557 thru 52358			
Complete Cable Kit P/N CCKT182-14G (Galvanized)			
Complete Cable Kit P/N CCKT182-14S (Stainless Steel)			
Complete Pulley Kit P/N PULL-KT-34*			
Qty	P/N	Galv SS	Location
1	MC0510105-70	or 170	Parking Brake
Aileron Cable Kit			
P/N CCKT-10G-AIL or CCKT-10S-AIL			
2	MC0510105-16	or 116	Aileron Direct
1	MC0510105-13	or 113	Aileron Carry Thru
4	MC0422280		Bellcrank Aileron Bushing
Elevator Cable Kit			
P/N CCKT-29G-ELE or CCKT-29S-ELE			
2	MC0510105-28	or 128	Stabilator Trim Forward
2	MC0510105-29	or 129	Stabilator Trim Aft
1	MC0510105-24	or 124	Elevator Upper
1	MC0510105-25	or 125	Elevator Lower
1	MC0510105-79	or 179	Elevator Trim
1	MC0432138-2		Chain Stab Trim Forward
1	MCS2295-25-185		Chain Stab Trim Aft
4	MCS2294-25		Chain Connecting Link
Flap Cable Kit			
P/N CCKT-09G-FLP or CCKT-09S-FLP			
2	MC0510105-59	or 159	Flap Direct Outboard
2	MC0510105-60	or 160	Flap Return Outboard
1	MC0510105-63	or 163	Flap Return Inboard LH
1	MC0510105-64	or 164	Flap Return Inboard RH
1	MC0510105-61	or 161	Flap Direct Inboard LH
1	MC0510105-62	or 162	Flap Direct Inboard RH
1	MC0510105-21	or 121	Flap Return Forward
Rudder Cable Kit			
P/N CCKT-15G-RUD or CCKT-15S-RUD			
1	MC0510105-26	or 126	Rudder Control LH
1	MC0510105-66	or 166	Rudder Control RH
1	MC0510105-73	or 173	Rudder Bar Tie
182C 1960			
S/N 52359 thru 52611 & 52613			
Complete Cable Kit P/N CCKT182-02G (Galvanized)			
Complete Cable Kit P/N CCKT182-02S (Stainless Steel)			
Complete Pulley Kit P/N PULL-KT-35*			
Qty	P/N	Galv SS	Location
1	MC0510105-70	or 170	Parking Brake
1	MC0713070-28	2	Cable Assembly Park Brake
Aileron Cable Kit			
P/N CCKT-10G-AIL or CCKT-10S-AIL			
2	MC0510105-16	or 116	Aileron Direct
1	MC0510105-13	or 113	Aileron Carry Thru
4	MC0422280		Bellcrank Aileron Bushing
Elevator Cable Kit			
P/N CCKT-19G-ELE or CCKT-19S-ELE			
1	MC0510105-24	or 124	Elevator Upper
1	MC0510105-25	or 125	Elevator Lower
1	MC0510105-79	or 179	Elevator Trim
2	MC0510105-28	or 128	Stabilator Trim Forward
2	MC0510105-29	or 129	Stabilator Trim Aft
1	MC0432138-2		Chain Stab Trim Forward
1	MCS2295-25-185		Chain Stab Trim Aft
4	MCS2294-25		Chain Connecting Link
Flap Cable Kit			
P/N CCKT-09G-FLP or CCKT-09S-FLP			
2	MC0510105-59	or 159	Flap Direct Outboard
2	MC0510105-60	or 160	Flap Return Outboard
1	MC0510105-63	or 163	Flap Return Inboard LH
1	MC0510105-64	or 164	Flap Return Inboard RH
1	MC0510105-61	or 161	Flap Direct Inboard LH
1	MC0510105-62	or 162	Flap Direct Inboard RH
1	MC0510105-21	or 121	Flap Return Forward
Rudder Cable Kit			
P/N CCKT-16G-RUD or CCKT-16S-RUD			
1	MC051		



Flight Control System

Flight Control Cables - Cessna



<i>Continued from previous page</i>			
Qty	P/N	Galv SS	Location
1	MC0713070-28 ²		Cable Assembly Park Brake
Aileron Cable Kit			
P/N CCKT-10G-AIL or CCKT-10S-AIL			
2	MC0510105-16 or 116		Aileron Direct
1	MC0510105-13 or 113		Aileron Carry Thru
4	MC0422280		Bellcrank Aileron Bushing
Elevator Cable Kit			
P/N CCKT-22G-ELE or CCKT-22S-ELE			
1	MC0510105-24 or 124		Elevator Upper
1	MC0510105-25 or 125		Elevator Lower
1	MC0510105-82 or 182		Elevator Trim
2	MC0510105-28 or 128		Stabilator Trim Forward
2	MC0510105-29 or 129		Stabilator Trim Aft
1	MC0432138-2		Chain Stab Trim Forward
1	MCS2295-25-185		Chain Stab Trim Aft
4	MCS2294-25		Chain Connecting Link
Flap Cable Kit			
P/N CCKT-09G-FLP or CCKT-09S-FLP			
2	MC0510105-59 or 159		Flap Direct Outboard
2	MC0510105-60 or 160		Flap Return Outboard
1	MC0510105-63 or 163		Flap Return Inboard LH
1	MC0510105-64 or 164		Flap Return Inboard RH
1	MC0510105-61 or 161		Flap Direct Inboard LH
1	MC0510105-62 or 162		Flap Direct Inboard RH
1	MC0510105-21 or 121		Flap Return Forward
1	MC0510105-22 or 122		Flap Direct Forward
Rudder Cable Kit			
P/N CCKT-16G-RUD or CCKT-16S-RUD			
1	MC0510105-77 or 177		Rudder Control LH
2	MC0510105-78 or 178		Rudder Control RH
2	MC1260105-9 or 109		Rudder Aft
1	MC0510105-73 or 173		Rudder Bar Tie
182E¹ 1962¹			
S/N 18253599 thru 18253929			
Complete Cable Kit P/N CCKT182-04G (Galvanized)			
Complete Cable Kit P/N CCKT182-04S (Stainless Steel)			
Complete Pulley Kit P/N PULL-KT-36*			
Qty	P/N	Galv SS	Location
1	MC0510105-85 ²		Parking Brake
Aileron Cable Kit			
P/N CCKT-21G-AIL or CCKT-21S-AIL			
2	MC0510105-95 or 195		Aileron Direct
1	MC0510105-13 or 113		Aileron Carry Thru
4	MC0422280		Bellcrank Aileron Bushing
Elevator Cable Kit			
P/N CCKT-24G-ELE or CCKT-24S-ELE			
1	MC0510105-90 or 190		Elevator LH Yoke
1	MC0510105-89 or 189		Elevator RH Yoke
1	MC0510105-88 or 188		Elevator Down Spring
1	MC0510105-86 or 186		Elevator Trim Forward LH
1	MC0510105-97 or 197		Elevator Trim Forward RH
1	MC0510105-87 or 187		Elevator Trim Aft LH
1	MC0510105-98 or 198		Elevator Trim Aft RH
1	MCS2295-25-249		Elevator Trim Chain Forward
1	MCS2295P25-113		Elevator Trim Chain Aft
4	MCS2294-25		Chain Connecting Link
Flap Cable Kit			
P/N CCKT-12G-FLP or CCKT-12S-FLP			
1	MC0510105-93 or 193 ⁶		Flap Retract
1	MC0510105-91 or 191		Flap Direct LH
1	MC0510105-94 or 194 ⁶		Flap Retract
1	MC0510105-92 or 192		Flap Direct RH
Rudder Cable Kit			
P/N CCKT-17G-RUD or CCKT-17S-RUD			
1	MC0510105-77 or 177		Rudder Control LH
1	MC0510105-78 or 178		Rudder Control RH
2	MC1260105-9 or 109		Rudder Aft
182E¹, F, G 1962¹-1964			
S/N 18253930 thru 18255844			
Complete Cable Kit P/N CCKT182-05G (Galvanized)			
Complete Cable Kit P/N CCKT182-05S (Stainless Steel)			
Complete Pulley Kit P/N PULL-KT-85*			
Qty	P/N	Galv SS	Location
1	MC0510105-85 ²		Parking Brake
Rudder Cable Kit			
P/N CCKT-17G-RUD or CCKT-17S-RUD			
1	MC0510105-77 or 177		Rudder Control LH
1	MC0510105-78 or 178		Rudder Control RH
2	MC1260105-9 or 109		Rudder Aft
Aileron Cable Kit			
P/N CCKT-21G-AIL or CCKT-21S-AIL			
2	MC0510105-95 or 195		Aileron Direct
1	MC0510105-13 or 113		Aileron Carry Thru
4	MC0422280		Aileron Bellcrank Bushing
Elevator Cable Kit			
P/N CCKT-25G-ELE or CCKT-25S-ELE			
1	MC0510105-90 or 190		Elevator LH Yoke
1	MC0510105-89 or 189		Elevator RH Yoke
1	MC0510105-88 or 188		Elevator Down Spring
1	MC0510105-201 or 301		Elevator Trim Forward LH
1	MC0510105-202 or 302		Elevator Trim Forward RH
1	MC0510105-87 or 187		Elevator Trim Aft LH
1	MC0510105-98 or 198		Elevator Trim Aft RH

Kit continues in the next column

<i>Continued from previous column</i>			
Qty	P/N	Galv SS	Location
1	MCS2295-25-67		Elevator Trim Chain Forward
1	MCS2295-25-71		Elevator Trim Chain Aft
4	MCS2294-25		Chain Connecting Link
Flap Cable Kit			
P/N CCKT-12G-FLP or CCKT-12S-FLP			
1	MC0510105-93 or 193 ⁶		Flap Retract
1	MC0510105-91 or 191		Flap Direct LH
1	MC0510105-94 or 194 ⁶		Flap Retract
1	MC0510105-92 or 192		Flap Direct RH
182H, J, K 1965-1967			
S/N 18255845 thru 18258505			
Complete Cable Kit P/N CCKT182-06G (Galvanized)			
Complete Cable Kit P/N CCKT182-06S (Stainless Steel)			
Complete Pulley Kit P/N PULL-KT-85* or -36* Note 1			
Qty	P/N	Galv SS	Location
1	MC0510105-85 ²		Parking Brake
Aileron Cable Kit			
P/N CCKT-21G-AIL or CCKT-21S-AIL			
2	MC0510105-95 or 195		Aileron Direct
1	MC0510105-13 or 113		Aileron Carry Thru
4	MC0422280		Aileron Bellcrank Bushing
Elevator Cable Kit			
P/N CCKT-26G-ELE or CCKT-26S-ELE			
1	MC0510105-89 or 189		Elevator RH Yoke
1	MC0510105-90 or 190		Elevator LH Yoke
1	MC0510105-201 or 301		Elevator Trim Forward LH
1	MC0510105-202 or 302		Elevator Trim Forward RH
1	MC0510105-87 or 187		Elevator Trim Aft LH
1	MC0510105-98 or 198		Elevator Trim Aft RH
1	MCS2295-25-67		Elevator Trim Chain Forward
1	MCS2295-25-71		Elevator Trim Chain Aft
4	MCS2294-25		Chain Connecting Link
Flap Cable Kit			
P/N CCKT-12G-FLP or CCKT-12S-FLP			
1	MC0510105-93 or 193 ⁶		Flap Retract
1	MC0510105-91 or 191		Flap Direct LH
1	MC0510105-94 or 194 ⁶		Flap Retract
1	MC0510105-92 or 192		Flap Direct RH
Rudder Cable Kit			
P/N CCKT-17G-RUD or CCKT-17S-RUD			
1	MC0510105-77 or 177		Rudder Control LH
1	MC0510105-78 or 178		Rudder Control RH
2	MC1260105-9 or 109		Rudder Aft
Note 1: S/N 18258506 thru 18260445 USE PULL-KT-37			
S/N 18260446 thru 18260669 USE PULL-KT-38			
S/N 18260670 thru 18262465 USE PULL-KT-86			

Kit continues in the next column

182P¹, O, R, T, 182, F, 182P, Q 1974- 1981¹			
Qty	P/N	Galv SS	Location
S/N 18262466 thru 18267789,			
F18200001 thru F18200169			
Complete Cable Kit P/N CCKT182-08G (Galvanized)			
Complete Cable Kit P/N CCKT182-08S (Stainless Steel)			
Complete Pulley Kit P/N PULL-KT-39*			
Qty	P/N	Galv SS	Location
Aileron Cable Kit			
P/N CCKT-22G-AIL or CCKT-22S-AIL			
2	MC0510105-228 or 328		Aileron Direct
1	MC0510105-13 or 113		Aileron Carry Thru
1	MC1260078-3 or 103		Aileron Yoke RH
1	MC1260078-2 or 102		Aileron Yoke LH
1	MC1260078-5 ²		Aileron Drive Quadrant
4	MC0422280		Aileron Bellcrank Bushing
Elevator Cable Kit			
P/N CCKT-26G-ELE or CCKT-26S-ELE			
1	MC0510105-90 or 190		Elevator LH Yoke
1	MC0510105-89 or 189		Elevator RH Yoke
1	MC0510105-201 or 301		Elevator Trim Forward LH
1	MC0510105-202 or 302		Elevator Trim Forward RH
1	MC0510105-87 or 187		Elevator Trim Aft LH
1	MC0510105-98 or 198		Elevator Trim Aft RH
1	MCS2295-25-67		Elevator Trim Chain Forward
1	MCS2295-25-71		Elevator Trim Chain Aft
4	MCS2294-25		Chain Connecting Link
Flap Cable Kit			
P/N CCKT-12G-FLP or CCKT-12S-FLP			
1	MC0510105-93 or 193 ⁶		Flap Retract
1	MC0510105-91 or 191		Flap Direct LH
1	MC0510105-94 or 194 ⁶		Flap Retract
1	MC0510105-92 or 192		Flap Direct RH
Rudder Cable Kit			
P/N CCKT-17G-RUD or CCKT-17S-RUD			
1	MC0510105-77 or 177		Rudder Control LH
1	MC0510105-78 or 178		Rudder Control RH
2	MC1260105-9 or 109		Rudder Aft
182R¹, T182¹ 1981¹-1982			
S/N 18267790 thru 18268293			
Complete Cable Kit P/N CCKT182-09G (Galvanized)			
Complete Cable Kit P/N CCKT182-09S (Stainless Steel)			
Complete Pulley Kit P/N PULL-KT-39*			
Qty	P/N	Galv SS	Location
1	MC0510105-279 ²		Parking Brake
Aileron Cable Kit			
P/N CCKT-23G-AIL or CCKT-23S-AIL			
2	MC0510105-228 or 328		Aileron Direct
1	MC0510105-13 or 113		Aileron Carry Thru
1	MC1260078-3 or 103		Aileron Yoke RH
1	MC1260078-2 or 102		Aileron Yoke LH
1	MC1260078-5 ²		Aileron Drive Quadrant
4	MC0422280		Bellcrank Aileron Bushing
Elevator Cable Kit			
P/N CCKT-26G-ELE or CCKT-26S-ELE			
1	MC0510105-90 or 190		Elevator LH Yoke
1	MC0510105-89 or 189		Elevator RH Yoke
1	MC0510105-201 or 301		Elevator Trim Forward LH
1	MC0510105-202 or 302		Elevator Trim Forward RH
1	MC0510105-87 or 187		Elevator Trim Aft LH
1	MC0510105-98 or 198		Elevator Trim Aft RH
1	MCS2295-25-67		Elevator Trim Chain Forward
1	MCS2295-25-71		Elevator Trim Chain Aft
4	MCS2294-25		Chain Connecting Link
Flap Cable Kit			
P/N CCKT-12G-FLP or CCKT-12S-FLP			
1	MC0510105-93 or 193 ⁶		Flap Retract
1	MC0510105-91 or 191		Flap Direct LH
1	MC0510105-94 or 194 ⁶		Flap Retract
1	MC0510105-92 or 192		Flap Direct RH
Rudder Cable Kit			
P/N CCKT-17G-RUD or CCKT-17S-RUD			
1	MC0510105-77 or 177		Rudder Control LH
1	MC0510105-78 or 178		Rudder Control RH
2	MC1260105-9 or 109		Rudder Aft
182R¹, T182¹ 1983-1986			
S/N 18268294 thru 18268615			
Complete Cable Kit P/N CCKT182-10G (Galvanized)			
Complete Cable Kit P/N CCKT182-10S (Stainless Steel)			
Complete Pulley Kit P/N PULL-KT-39*			
Qty	P/N	Galv SS	Location
1	MC0510105-279 ²		Parking Brake
Aileron Cable Kit			
P/N CCKT-23G-AIL or CCKT-23S-AIL			
2	MC0510105-228 or 328		Aileron Direct
1	MC0510105-13 or 113		Aileron Carry Thru
1	MC1260078-3 or 103		Aileron Yoke RH
1	MC1260078-2 or 102		Aileron Yoke LH
1	MC1260078-5 ²		Aileron Drive Quadrant
4	MC0422280		Bellcrank Aileron Bushing

* See pages 191-192 for Pulley Kit Components
¹ Partial model eligibility
² Included in both galvanized and stainless kits.
⁶ Due to inconsistency in OEM parts these flap cables should be replaced at the same time.



Qty	P/N	Galv	SS	Location
<i>Continued from previous page</i>				
1	MC0510105-90 or 190			Elevator LH Yoke
1	MC0510105-89 or 189			Elevator RH Yoke
1	MC0510105-201 or 301			Elevator Trim Forward LH
1	MC0510105-202 or 302			Elevator Trim Forward RH
1	MC0510105-87 or 187			Elevator Trim Aft LH
1	MC0510105-98 or 198			Elevator Trim Aft RH
1	MCS2295P25-67			Elevator Trim Chain Forward
1	MCS2295P25-71			Elevator Trim Chain Aft
4	MCS2294-25			Chain Connecting Link
Flap Cable Kit P/N CCKT-12G-FLP or CCKT-12S-FLP				
1	MC0510105-93 or 193	6		Flap Retract
1	MC0510105-91 or 191			Flap Direct LH
1	MC0510105-94 or 194	6		Flap Retract
1	MC0510105-92 or 192			Flap Direct RH
Rudder Cable Kit P/N CCKT-17G-RUD or CCKT-17S-RUD				
1	MC0510105-77 or 177			Rudder Control LH
1	MC0510105-78 or 178			Rudder Control RH
2	MC1260105-9 or 109			Rudder Aft
R182, TR182, FR182 1978-1981 S/N R18200001 thru R18201679, FR1820001 thru FR1820070 Complete Cable Kit P/N CCKT182-11G (Galvanized) Complete Cable Kit P/N CCKT182-11S (Stainless Steel) Complete Pulley Kit P/N PULL-KT-40*				
Qty	P/N	Galv	SS	Location
1	MC0510105-233 or 333			Parking Brake
Aileron Cable Kit P/N CCKT-24G-AIL or CCKT-24S-AIL				
2	MC0510105-228 or 328			Aileron Direct
1	MC0510105-13 or 113			Aileron Carry Thru
4	MC0422280			Bellcrank Aileron Bushing
Elevator Cable Kit P/N CCKT-28G-ELE or CCKT-28S-ELE				
1	MC0510105-250 or 350			Elevator LH Yoke
1	MC0510105-249 or 349			Elevator RH Yoke
1	MC0510105-245 or 345			Elevator Trim LH Forward
1	MC0510105-246 or 346			Elevator Trim RH Forward
1	MC0510105-247 or 347			Elevator Trim LH Aft
1	MC0510105-248 or 348			Elevator Trim RH Aft
1	MCS2295P25-67			Elevator Trim Chain Forward
1	MCS2295P25-71			Elevator Trim Chain Aft
4	MCS2294-25			Chain Connecting Link
Flap Cable Kit P/N CCKT-12G-FLP or CCKT-12S-FLP				
1	MC0510105-93 or 193	6		Flap Retract
1	MC0510105-91 or 191			Flap Direct LH
1	MC0510105-94 or 194	6		Flap Retract
1	MC0510105-92 or 192			Flap Direct RH
Rudder Cable Kit P/N CCKT-18G-RUD or CCKT-18S-RUD				
1	MC0510105-77 or 177			Rudder Control LH
1	MC0510105-78 or 178			Rudder Control RH
2	MC1260105-18 or 118			Rudder Aft
R182, TR182, 1981, 1986 S/N R18201680 thru R18202041 Complete Cable Kit P/N CCKT182-12G (Galvanized) Complete Cable Kit P/N CCKT182-12S (Stainless Steel) Complete Pulley Kit P/N PULL-KT-40*				
Qty	P/N	Galv	SS	Location
1	MC0510105-279	2		Parking Brake
Aileron Cable Kit P/N CCKT-24G-AIL or CCKT-24S-AIL				
2	MC0510105-228 or 328			Aileron Direct
1	MC0510105-13 or 113			Aileron Carry Thru
4	MC0422280			Bellcrank Aileron Bushing
Elevator Cable Kit P/N CCKT-28G-ELE or CCKT-28S-ELE				
1	MC0510105-250 or 350			Elevator LH Yoke
1	MC0510105-249 or 349			Elevator RH Yoke
1	MC0510105-245 or 345			Elevator Trim LH Forward
1	MC0510105-246 or 346			Elevator Trim RH Forward
1	MC0510105-247 or 347			Elevator Trim LH Aft
1	MC0510105-248 or 348			Elevator Trim RH Aft
1	MCS2295P25-67			Elevator Trim Chain Forward
1	MCS2295P25-71			Elevator Trim Chain Aft
4	MCS2294-25			Chain Connecting Link
Flap Cable Kit P/N CCKT-12G-FLP or CCKT-12S-FLP				
1	MC0510105-93 or 193	6		Flap Retract
1	MC0510105-91 or 191			Flap Direct LH
1	MC0510105-94 or 194	6		Flap Retract
1	MC0510105-92 or 192			Flap Direct RH
Rudder Cable Kit P/N CCKT-18G-RUD or CCKT-18S-RUD				
1	MC0510105-77 or 177			Rudder Control LH
1	MC0510105-78 or 178			Rudder Control RH
2	MC1260105-18 or 118			Rudder Aft
182S, 182T, T182T 1997 and On S/N 18280001 and On, T18208001 and On Complete Cable Kit P/N CCKT182-13G (Galvanized) Complete Cable Kit P/N CCKT182-13S (Stainless Steel) Complete Pulley Kit P/N PULL-KT-80*				
Qty	P/N	Galv	SS	Location
1	MC0510105-279	2		Parking Brake
Aileron Cable Kit P/N CCKT-25G-AIL or CCKT-25S-AIL				
2	MC0510105-228 or 328			Aileron Direct
1	MC0510105-13 or 113			Aileron Carry Thru
1	MC1260078-5 or 105			Aileron Yoke Primary
1	MC1260078-7 or 107			Aileron Yoke LH
1	MC1260078-8 or 108			Aileron Yoke RH
4	MC0422280			Bellcrank Aileron Bushing
Elevator Cable Kit P/N CCKT-27G-ELE or CCKT-27S-ELE				
1	MC0510105-90 or 190			Elevator LH Yoke
1	MC0510105-89 or 189			Elevator RH Yoke
1	MC0510105-201 or 301			Elevator Trim Forward LH
1	MC0510105-202 or 302			Elevator Trim Forward RH
1	MC0510105-87 or 187			Elevator Trim Aft LH
1	MC0510105-98 or 198			Elevator Trim Aft RH
1	MCS2295P25-67			Elevator Trim Chain Forward
1	MCS2295P25-71			Elevator Trim Chain Aft
4	MCS2294-25			Chain Connecting Link
Flap Cable Kit P/N CCKT-12G-FLP or CCKT-12S-FLP				
1	MC0510105-93 or 193	6		Flap Retract
1	MC0510105-91 or 191			Flap Direct LH
1	MC0510105-94 or 194	6		Flap Retract
1	MC0510105-92 or 192			Flap Direct RH
Rudder Cable Kit P/N CCKT-17G-RUD or CCKT-17S-RUD				
1	MC0510105-77 or 177			Rudder Control LH
1	MC0510105-78 or 178			Rudder Control RH
2	MC1260105-9 or 109			Rudder Aft
185 1961 S/N 1850001 thru 1850237 Complete Cable Kit P/N CCKT185-01G (Galvanized) Complete Cable Kit P/N CCKT185-01S (Stainless Steel) Complete Pulley Kit P/N PULL-KT-30*				
Qty	P/N	Galv	SS	Location
2	MC0510105-196	2		Tailwheel Steering
1	MC0713070-28	2		Cable Assembly Park Brake
1	MC0510105-70 or 170			Parking Brake
Aileron Cable Kit P/N CCKT-10G-AIL or CCKT-10S-AIL				
2	MC0510105-16 or 116			Aileron Direct
1	MC0510105-13 or 113			Aileron Carry Thru
4	MC0422280			Bellcrank Aileron Bushing
Elevator Cable Kit P/N CCKT-30G-ELE or CCKT-30S-ELE				
1	MC0510105-82 or 182			Elevator Trim
1	MC0510105-24 or 124			Elevator Upper
1	MC0510105-25 or 125			Elevator Lower
2	MC0510105-28 or 128			Stabilator Trim Forward
2	MC0510105-29 or 129			Stabilator Trim Aft
1	MCS2295P25-321			Chain Stabilator Trim Fwd
1	MCS2295-25-185			Chain Stabilator Trim Aft
4	MCS2294-25			Chain Connecting Link
Flap Cable Kit P/N CCKT-09G-FLP or CCKT-09S-FLP				
2	MC0510105-59 or 159			Flap Direct Outboard
2	MC0510105-60 or 160			Flap Return Outboard
1	MC0510105-63 or 163			Flap Return Inboard LH
1	MC0510105-64 or 164			Flap Return Inboard RH
1	MC0510105-61 or 161			Flap Direct Inboard LH
1	MC0510105-62 or 162			Flap Direct Inboard RH
1	MC0510105-21 or 121			Flap Return Forward
1	MC0510105-22 or 122			Flap Direct Forward
Rudder Cable Kit P/N CCKT-13G-RUD or CCKT-13S-RUD				
1	MC0510105-51 or 151			Rudder Forward LH
1	MC0510105-71 or 171			Rudder Forward RH
2	MC0510105-52 or 152			Rudder Aft
1	MC0510105-73 or 173			Rudder Trim
185A, B, C 1962-1964 S/N 1850238 thru 1850768 Complete Cable Kit P/N CCKT185-02G (Galvanized) Complete Cable Kit P/N CCKT185-02S (Stainless Steel) Complete Pulley Kit P/N PULL-KT-30*				
Qty	P/N	Galv	SS	Location
2	MC0510105-199	2		Tailwheel Steering
1	MC0510105-70 or 170			Parking Brake
1	MC0713070-28	2		Cable Assembly Park Brake
Aileron Cable Kit P/N CCKT-10G-AIL or CCKT-10S-AIL				
2	MC0510105-16 or 116			Aileron Direct
1	MC0510105-13 or 113			Aileron Carry Thru
4	MC0422280			Bellcrank Aileron Bushing
Elevator Cable Kit P/N CCKT-31G-ELE or CCKT-31S-ELE				
1	MC0510105-82 or 182			Elevator Trim
1	MC0510105-24 or 124			Elevator Upper
1	MC0510105-25 or 125			Elevator Lower
<i>Kit continues in next column</i>				
<i>Continued from previous column</i>				
Qty	P/N	Galv	SS	Location
2	MC0510105-28 or 128			Stabilator Trim Forward
2	MC0510105-29 or 129			Stabilator Trim Aft
1	MCS2295-25-185			Chain Stabilator Trim Aft
1	MCS2295P25-321			Chain Stabilator Trim Fwd
4	MCS2294-25			Chain Connecting Link
Flap Cable Kit P/N CCKT-09G-FLP or CCKT-09S-FLP				
2	MC0510105-59 or 159			Flap Direct Outboard
2	MC0510105-60 or 160			Flap Return Outboard
1	MC0510105-63 or 163			Flap Return Inboard LH
1	MC0510105-64 or 164			Flap Return Inboard RH
1	MC0510105-61 or 161			Flap Direct Inboard LH
1	MC0510105-62 or 162			Flap Direct Inboard RH
1	MC0510105-21 or 121			Flap Return Forward
1	MC0510105-22 or 122			Flap Direct Forward
Rudder Cable Kit P/N CCKT-13G-RUD or CCKT-13S-RUD				
1	MC0510105-51 or 151			Rudder Forward LH
1	MC0510105-71 or 171			Rudder Forward RH
2	MC0510105-52 or 152			Rudder Aft
1	MC0510105-73 or 173			Rudder Trim
185C 1964 S/N 1850769 thru 1850776 Complete Cable Kit P/N CCKT185-03G (Galvanized) Complete Cable Kit P/N CCKT185-03S (Stainless Steel) Complete Pulley Kit P/N PULL-KT-30*				
Qty	P/N	Galv	SS	Location
2	MC0510105-323	2		Tailwheel Steering
1	MC0510105-70 or 170			Parking Brake
1	MC0713070-28	2		Cable Assembly Park Brake
Aileron Cable Kit P/N CCKT-10G-AIL or CCKT-10S-AIL				
2	MC0510105-16 or 116			Aileron Direct
1	MC0510105-13 or 113			Aileron Carry Thru
4	MC0422280			Bellcrank Aileron Bushing
Elevator Cable Kit P/N CCKT-30G-ELE or CCKT-30S-ELE				
1	MC0510105-82 or 182			Elevator Trim
1	MC0510105-24 or 124			Elevator Upper
1	MC0510105-25 or 125			Elevator Lower
2	MC0510105-28 or 128			Stabilator Trim Forward
2	MC0510105-29 or 129			Stabilator Trim Aft
1	MCS2295P25-321			Chain Stabilator Trim Fwd
1	MCS2295-25-185			Chain Stabilator Trim Aft
4	MCS2294-25			Chain Connecting Link
<i>Kit continues on next page</i>				
* See pages 191-192 for Pulley Kit Components				
1 Partial model eligibility				
2 Included in both galvanized and stainless kits.				
6 Due to inconsistency in OEM parts these flap cables should be replaced at the same time.				



Flight Control System

Flight Control Cables - Cessna



FAA-PMA Approved

Continued from previous page	Continued from previous column	Continued from previous column	Flight Control System
Qty P/N Galv SS Location	Qty P/N Galv SS Location	Qty P/N Galv SS Location	
Flap Cable Kit			
P/N CCKT-09G-FLP or CCKT-09S-FLP			
2	MC0510105-59 or 159	Flap Direct Outboard	
1	MC0510105-60 or 160	Flap Return Outboard	
2	MC0510105-63 or 163	Flap Return Inboard LH	
1	MC0510105-64 or 164	Flap Return Inboard RH	
1	MC0510105-61 or 161	Flap Direct Inboard LH	
1	MC0510105-62 or 162	Flap Direct Inboard RH	
1	MC0510105-21 or 121	Flap Return Forward	
1	MC0510105-22 or 122	Flap Direct Forward	
Rudder Cable Kit			
P/N CCKT-13G-RUD or CCKT-13S-RUD			
1	MC0510105-51 or 151	Rudder Forward LH	
1	MC0510105-71 or 171	Rudder Forward RH	
2	MC0510105-52 or 152	Rudder Control Aft	
1	MC0510105-73 or 173	Rudder Trim	
185E, A185E 1966-1971			
S/N 1850968 thru 18501901			
Complete Cable Kit P/N CCKT185-05G (Galvanized)			
Complete Cable Kit P/N CCKT185-05S (Stainless Steel)			
Complete Pulley Kit P/N PULL-KT-32*			
Qty P/N Galv SS Location			
2	MC0510105-323 2	Tailwheel Steering	
1	MC0510105-73 or 173	Rudder Trim	
1	MC0510105-70 or 170	Parking Brake	
Aileron Cable Kit			
P/N CCKT-18G-AIL or CCKT-18S-AIL			
1	MC0510105-215 or 315	Aileron Yoke LH	
1	MC0510105-214 or 314	Aileron Yoke RH	
1	MC0510105-213 or 313	Aileron Yoke Primary	
1	MC0510105-216 or 316	Aileron Yoke Transition	
2	MC0510105-222 or 322	Aileron Direct	
1	MC0510105-13 or 113	Aileron Carry Thru	
4	MC0422280	Bellcrank Aileron Bushing	
Elevator Cable Kit			
P/N CCKT-30G-ELE or CCKT-30S-ELE			
1	MC0510105-82 or 182	Elevator Trim	
1	MC0510105-24 or 124	Elevator Upper	
1	MC0510105-25 or 125	Elevator Lower	
2	MC0510105-28 or 128	Stabilator Trim Forward	
2	MC0510105-29 or 129	Stabilator Trim Aft	
1	MCS2295P25-321	Chain Stabilator Trim Fwd	
1	MCS2295-25-185	Chain Stabilator Trim Aft	
4	MCS2294-25	Chain Connecting Link	
Flap Cable Kit			
P/N CCKT-11G-FLP or CCKT-11S-FLP			
2	MC0510105-225 or 325	Flap Direct Outboard	
2	MC0510105-60 or 160	Flap Return Outboard	
1	MC0510105-63 or 163	Flap Return Inboard LH	
1	MC0510105-64 or 164	Flap Return Inboard RH	
1	MC0510105-227 or 327	Flap Direct Inboard LH	
1	MC0510105-226 or 326	Flap Direct Inboard RH	
1	MC0510105-21 or 121	Flap Return Forward	
1	MC0510105-22 or 122	Flap Direct Forward	
Rudder Cable Kit			
P/N CCKT-14G-RUD or CCKT-14S-RUD			
1	MC0510105-51 or 151	Rudder Forward LH	
1	MC0510105-237 or 337	Rudder Forward RH	
2	MC0510105-52 or 152	Rudder Aft	
1	MC0510105-73 or 173	Rudder Trim	
A185F 1974-1976			
S/N 18502311 thru 18503153			
Complete Cable Kit P/N CCKT185-07G (Galvanized)			
Complete Cable Kit P/N CCKT185-07S (Stainless Steel)			
Complete Pulley Kit P/N PULL-KT-33*			
Qty P/N Galv SS Location			
2	MC0510105-323 2	Tailwheel Steering	
1	MC0510105-232 2	Parking Brake	
Aileron Cable Kit			
P/N CCKT-18G-AIL or CCKT-18S-AIL			
1	MC0510105-215 or 315	Aileron Yoke LH	
1	MC0510105-214 or 314	Aileron Yoke RH	
1	MC0510105-213 or 313	Aileron Yoke Primary	
1	MC0510105-216 or 316	Aileron Yoke Transition	
2	MC0510105-222 or 322	Aileron Direct	
1	MC0510105-13 or 113	Aileron Carry Thru	
4	MC0422280	Bellcrank Aileron Bushing	
Elevator Cable Kit			
P/N CCKT-32G-ELE or CCKT-32S-ELE			
1	MC0510105-82 or 182	Elevator Trim	
1	MC0510105-24 or 124	Elevator Upper	
1	MC0510105-25 or 125	Elevator Lower	
2	MC0510105-28 or 128	Stabilator Trim Forward	
2	MC0510105-29 or 129	Stabilator Trim Aft	
1	MCS2295P25-321	Chain Stabilator Trim Fwd	
1	MCS2295P25-185	Chain Stabilator Trim Aft	
4	MCS2294-25	Chain Connecting Link	
Flap Cable Kit			
P/N CCKT-11G-FLP or CCKT-11S-FLP			
2	MC0510105-225 or 325	Flap Direct Outboard	
2	MC0510105-60 or 160	Flap Return Outboard	
1	MC0510105-63 or 163	Flap Return Inboard LH	
1	MC0510105-64 or 164	Flap Return Inboard RH	
1	MC0510105-227 or 327	Flap Direct Inboard LH	
1	MC0510105-226 or 326	Flap Direct Inboard RH	
1	MC0510105-21 or 121	Flap Return Forward	
1	MC0510105-22 or 122	Flap Direct Forward	
Flap Cable Kit			
P/N CCKT-11G-FLP or CCKT-11S-FLP			
2	MC0510105-225 or 325	Flap Direct Outboard	
2	MC0510105-60 or 160	Flap Return Outboard	
1	MC0510105-63 or 163	Flap Return Inboard LH	
1	MC0510105-64 or 164	Flap Return Inboard RH	
1	MC0510105-227 or 327	Flap Direct Inboard LH	
1	MC0510105-226 or 326	Flap Direct Inboard RH	
1	MC0510105-21 or 121	Flap Return Forward	
1	MC0510105-22 or 122	Flap Direct Forward	
Rudder Cable Kit			
P/N CCKT-19G-RUD or CCKT-19S-RUD			
1	MC0510105-51 or 151	Rudder Forward LH	
1	MC0510105-237 or 337	Rudder Forward RH	
2	MC0510105-52 or 152	Rudder Control Aft	
1	MC0510105-73 or 173	Rudder Trim	
Available separately for aircraft equipped with floats			
1	MC0742022-1	Rudder Return	
1	MC0742022-2	Rudder Return	
185F 1977-1980			
S/N 18503154 thru 18504138			
Complete Cable Kit P/N CCKT185-08G (Galvanized)			
Complete Cable Kit P/N CCKT185-08S (Stainless Steel)			
Complete Pulley Kit P/N PULL-KT-33*			
Qty P/N Galv SS Location			
2	MC0760135-106 2	Tailwheel Steering	
1	MC0510105-394 2	Tailwheel Lock	
1	MC0510105-232 2	Parking Brake	
Aileron Cable Kit			
P/N CCKT-19G-AIL or CCKT-19S-AIL			
1	MC0510105-215 or 315	Aileron Yoke LH	
1	MC0510105-214 or 314	Aileron Yoke RH	
1	MC0760135-8 or 108	Aileron Yoke Primary	
1	MC0510105-216 or 316	Aileron Yoke Transition	
2	MC0510105-222 or 322	Aileron Direct	
1	MC0510105-13 or 113	Aileron Carry Thru	
4	MC0422280	Bellcrank Aileron Bushing	
Elevator Cable Kit			
P/N CCKT-32G-ELE or CCKT-32S-ELE			
1	MC0510105-82 or 182	Elevator Trim	
1	MC0510105-24 or 124	Elevator Upper	
1	MC0510105-25 or 125	Elevator Lower	
2	MC0510105-28 or 128	Stabilator Trim Forward	
2	MC0510105-29 or 129	Stabilator Trim Aft	
1	MCS2295P25-321	Chain Stabilator Trim Fwd	
1	MCS2295P25-185	Chain Stabilator Trim Aft	
4	MCS2294-25	Chain Connecting Link	
Flap Cable Kit			
P/N CCKT-11G-FLP or CCKT-11S-FLP			
2	MC0510105-225 or 325	Flap Direct Outboard	
2	MC0510105-60 or 160	Flap Return Outboard	
1	MC0510105-63 or 163	Flap Return Inboard LH	
1	MC0510105-64 or 164	Flap Return Inboard RH	
1	MC0510105-227 or 327	Flap Direct Inboard LH	
1	MC0510105-226 or 326	Flap Direct Inboard RH	
1	MC0510105-21 or 121	Flap Return Forward	
1	MC0510105-22 or 122	Flap Direct Forward	
Rudder Cable Kit			
P/N CCKT-19G-RUD or CCKT-19S-RUD			
1	MC0510105-51 or 151	Rudder Forward LH	
1	MC0510105-237 or 337	Rudder Forward RH	
2	MC0510105-52 or 152	Rudder Control Aft	
1	MC0510105-73 or 173	Rudder Trim	
Available separately for aircraft equipped with floats			
1	MC0742022-1	Rudder Return	
1	MC0742022-2	Rudder Return	
185F 1981-1982			
S/N 18504139 thru 18504379, 18504381 thru 18504391			
Complete Cable Kit P/N CCKT185-09G (Galvanized)			
Complete Cable Kit P/N CCKT185-09S (Stainless Steel)			
Complete Pulley Kit P/N PULL-KT-33*			
Qty P/N Galv SS Location			
2	MC0760135-106 2	Tailwheel Steering	
1	MC0510105-394 2	Tailwheel Lock	
1	MC0510105-278 2	Parking Brake	
Aileron Cable Kit			
P/N CCKT-19G-AIL or CCKT-19S-AIL			
1	MC0510105-215 or 315	Aileron Yoke LH	
1	MC0510105-214 or 314	Aileron Yoke RH	
1	MC0760135-8 or 108	Aileron Yoke Primary	
1	MC0510105-216 or 316	Aileron Yoke Transition	
2	MC0510105-222 or 322	Aileron Direct	
1	MC0510105-13 or 113	Aileron Carry Thru	
4	MC0422280	Bellcrank Aileron Bushing	
Elevator Cable Kit			
P/N CCKT-32G-ELE or CCKT-32S-ELE			
1	MC0510105-82 or 182	Elevator Trim	
1	MC0510105-24 or 124	Elevator Upper	
1	MC0510105-25 or 125	Elevator Lower	
2	MC0510105-28 or 128	Stabilator Trim Forward	
2	MC0510105-29 or 129	Stabilator Trim Aft	
1	MCS2295P25-321	Chain Stabilator Trim Fwd	
1	MCS2295P25-185	Chain Stabilator Trim Aft	
4	MCS2294-25	Chain Connecting Link	
Flap Cable Kit			
P/N CCKT-11G-FLP or CCKT-11S-FLP			
2	MC0510105-225 or 325	Flap Direct Outboard	
2	MC0510105-60 or 160	Flap Return Outboard	
1	MC0510105-63 or 163	Flap Return Inboard LH	
1	MC0510105-64 or 164	Flap Return Inboard RH	
1	MC0510105-227 or 327	Flap Direct Inboard LH	
1	MC0510105-226 or 326	Flap Direct Inboard RH	
1	MC0510105-21 or 121	Flap Return Forward	
1	MC0510105-22 or 122	Flap Direct Forward	

* See pages 191-192 for Pulley Kit Components
 1 Partial model eligibility
 2 Included in both galvanized and stainless kits.
 3 For S/N 18502566 thru 18503153 only



	<i>Continued from previous page</i>				<i>Continued from previous column</i>				188A, A188A 1970-1-1971-1			
	Qty	P/N	Galv SS	Location	Qty	P/N	Galv SS	Location	Qty	P/N	Galv SS	Location
Flight Control System	Flap Cable Kit P/N CCKT-11G-FLP or CCKT-11S-FLP				Flap Cable Kit P/N CCKT-13-FLP				S/N 18800573 thru 18800707 Complete Cable Kit P/N CCKT188-04 Complete Pulley Kit P/N PULL-KT-43*			
	2	MC0510105-225 or 325		Flap Direct Outboard	1	MC1660300-13		Flap Direct LH Bellcrank	2	MC0510105-323		Tailwheel Steering
	2	MC0510105-60 or 160		Flap Return Outboard	1	MC1660300-12		Flap Direct RH Bellcrank	1	MC1613245-2		Parking Brake Cable
	1	MC0510105-63 or 163		Flap Return Inboard LH	1	MC1660300-15		Flap Retract LH Bellcrank	Aileron Cable Kit P/N CCKT-28-AIL			
	1	MC0510105-64 or 164		Flap Return Inboard RH	1	MC1660300-14		Flap Retract RH Bellcrank	2	MC1660300-30		Aileron Direct to Torque Tube
	1	MC0510105-227 or 327		Flap Direct Inboard LH	1	1660300-17		Flap Retract to Lever	2	MC1660300-9		Aileron Direct to Bellcrank
	1	MC0510105-226 or 326		Flap Direct Inboard RH	1	1660300-16		Flap Direct to Lever	1	MC1660300-33		Aileron Carry Thru LH
	1	MC0510105-21 or 121		Flap Return Forward	Rudder Cable Kit P/N CCKT-20-RUD				1	MC1660300-10		Aileron Carry Thru RH
	1	MC0510105-22 or 122		Flap Direct Forward	2	MC1660300-1		Rudder Forward	4	MC0422280		Bellcrank Aileron Bushing
	Rudder Cable Kit P/N CCKT-19G-RUD or CCKT-19S-RUD				2	MC1660300-2		Rudder Center	Elevator Cable Kit P/N CCKT-33-ELE			
1	MC0510105-51 or 151		Rudder Forward LH	2	MC0510105-152		Rudder Aft	1	MC1660300-3		Elevator Down Forward	
1	MC0510105-237 or 337		Rudder Forward RH	188, A188 1966-1-1967-1				1	MC1660300-5		Elevator Up	
2	MC0510105-52 or 152		Rudder Control Aft	S/N 1880294 thru 1880317				1	MC1660300-4		Elevator Down Aft	
1	MC0510105-73 or 173		Rudder Trim	Complete Cable Kit P/N CCKT188-02 Complete Pulley Kit P/N PULL-KT-41*				1	MC1660300-6		Elevator Trim Forward Upper	
<i>Available separately for aircraft equipped with floats</i>				2	MC0510105-323		Tailwheel Steering	1	MC0510105-187		Elevator Trim Forward Lower	
1	MC0742022-1		Rudder Return	Aileron Cable Kit P/N CCKT-27-AIL				1	MC0510105-198		Elevator Trim Aft Lower	
1	MC0742022-2		Rudder Return	2	MC1660300-8		Aileron Direct to Torque Tube	1	MCS2295-25-70		Elevator Trim Chain Forward	
A185F1 1982-1-1985				2	MC1660300-9		Aileron Direct to Bellcrank	1	MCS2295P25-71		Elevator Trim Chain Aft	
S/N 18504380, 18504392 thru 18504448				1	MC1660300-11		Aileron Carry Thru LH	4	MCS2294-25		Connecting Link	
Complete Cable Kit P/N CCKT185-10G (Galvanized)				4	MC0422280		Bellcrank Aileron Bushing	Flap Cable Kit P/N CCKT-14FLP				
Complete Cable Kit P/N CCKT185-10S (Stainless Steel)				1	MC1660300-13		Flap Direct LH Bellcrank	1	MC1660300-12		Flap Direct RH Bellcrank	
Complete Pulley Kit P/N PULL-KT-33*				1	MC1660300-5		Elevator Up	1	MC1660300-15		Flap Retract LH Bellcrank	
Qty	P/N	Galv SS	Location	1	MC1660300-4		Elevator Down Aft	1	MC1660300-14		Flap Retract RH Bellcrank	
2	MC0760135-106		Tailwheel Steering	1	MC1660300-6		Elevator Trim Forward Upper	1	MC1660300-21		Flap Retract to Lever	
1	MC0510105-394		Tailwheel Lock	1	MC1660300-7		Elevator Trim Forward Lower	1	MC1660300-20		Flap Direct to Lever	
1	MC0510105-278		Parking Brake	1	MC0510105-187		Elevator Trim Aft Lower	Rudder Cable Kit P/N CCKT-20-RUD				
Aileron Cable Kit P/N CCKT-26G-AIL or CCKT-26S-AIL				1	MC0510105-198		Elevator Trim Aft Upper	2	MC1660300-1		Rudder Forward	
1	MC0510105-215 or 315		Aileron Yoke LH	1	MCS2295-25-70		Elevator Trim Chain Forward	2	MC1660300-2		Rudder Center	
1	MC0510105-214 or 314		Aileron Yoke RH	4	MCS2294-25		Connecting Link	2	MC0510105-152		Rudder Aft	
1	MC0760135-8 or 108		Aileron Yoke Primary	Flap Cable Kit P/N CCKT-14FLP				1	MC1660300-13		Flap Direct LH Bellcrank	
1	MC0510105-216 or 316		Aileron Yoke Transition	1	MC1660300-12		Flap Direct RH Bellcrank	1	MC1660300-15		Flap Retract LH Bellcrank	
2	MC0510105-295 or 395		Aileron Direct to Yoke	1	MC1660300-14		Flap Retract RH Bellcrank	1	MC1660300-21		Flap Retract to Lever	
2	MC0510105-262 or 362		Aileron Direct to Bellcrank	1	MC1660300-20		Flap Direct to Lever	1	MC1660300-13		Flap Direct LH Bellcrank	
1	MC0510105-264 or 364		Aileron Carry Thru LH	Rudder Cable Kit P/N CCKT-20-RUD				1	MC1660300-12		Flap Direct RH Bellcrank	
1	MC0510105-265 or 365		Aileron Carry Thru RH	2	MC1660300-1		Rudder Forward	1	MC1660300-33		Aileron Direct to Bellcrank	
4	MC0422280		Bellcrank Aileron Bushing	2	MC1660300-2		Rudder Center	1	MC1660300-38		Aileron Carry Thru LH	
Elevator Cable Kit P/N CCKT-32G-ELE or CCKT-32S-ELE				2	MC0510105-152		Rudder Aft	4	MC0422280		Bellcrank Aileron Bushing	
1	MC0510105-82 or 182		Elevator Trim	188, A188 1968-1-1969				Elevator Cable Kit P/N CCKT-33-ELE				
1	MC0510105-24 or 124		Elevator Upper	S/N 1880318 thru 1880572				1	MC1660300-3		Elevator Down Forward	
1	MC0510105-25 or 125		Elevator Lower	Complete Cable Kit P/N CCKT188-03 Complete Pulley Kit P/N PULL-KT-42*				1	MC1660300-5		Elevator Up	
2	MC0510105-28 or 128		Stabilator Trim Forward	Qty	P/N	Location		1	MC1660300-4		Elevator Down Aft	
2	MC0510105-29 or 129		Stabilator Trim Aft	2	MC0510105-323		Tailwheel Steering	1	MC1660300-6		Elevator Trim Forward Upper	
1	MCS2295P25-321		Chain Stabilator Trim Fwd	1	MC1613245-2		Parking Brake Cable	1	MC1660300-7		Elevator Trim Forward Lower	
1	MCS2295P25-185		Chain Stabilator Trim Aft	Aileron Cable Kit P/N CCKT-27-AIL				1	MC0510105-187		Elevator Trim Aft Lower	
4	MCS2294-25		Chain Connecting Link	2	MC1660300-10		Aileron Carry Thru RH	1	MC0510105-198		Elevator Trim Aft Upper	
Flap Cable Kit P/N CCKT-11G-FLP or CCKT-11S-FLP				4	MC0422280		Bellcrank Aileron Bushing	1	MCS2295-25-70		Elevator Trim Chain Forward	
2	MC0510105-225 or 325		Flap Direct Outboard	Elevator Cable Kit P/N CCKT-33-ELE				4	MCS2294-25		Connecting Link	
1	MC0510105-227 or 327		Flap Direct Inboard LH	1	MC1660300-3		Elevator Down Forward	Flap Cable Kit P/N CCKT-14FLP				
1	MC0510105-226 or 326		Flap Direct Inboard RH	1	MC1660300-5		Elevator Up	1	MC1660300-13		Flap Direct LH Bellcrank	
1	MC0510105-21 or 121		Flap Return Forward	1	MC1660300-4		Elevator Down Aft	1	MC1660300-15		Flap Direct RH Bellcrank	
1	MC0510105-22 or 122		Flap Direct Forward	1	MC1660300-6		Elevator Trim Forward Upper	1	MC1660300-14		Flap Retract LH Bellcrank	
2	MC0510105-60 or 160		Flap Return Outboard	1	MC1660300-7		Elevator Trim Forward Lower	1	MC1660300-21		Flap Retract to Lever	
1	MC0510105-63 or 163		Flap Return Inboard LH	1	MC0510105-187		Elevator Trim Aft Lower	1	MC1660300-20		Flap Direct to Lever	
1	MC0510105-64 or 164		Flap Return Inboard RH	1	MC0510105-198		Elevator Trim Aft Upper	Rudder Cable Kit P/N CCKT-20-RUD				
Rudder Cable Kit P/N CCKT-19G-RUD or CCKT-19S-RUD				1	MCS2295-25-70		Elevator Trim Chain Forward	2	MC1660300-1		Rudder Forward	
1	MC0510105-51 or 151		Rudder Forward LH	1	MCS2295P25-71		Elevator Trim Chain Aft	2	MC1660300-2		Rudder Center	
1	MC0510105-237 or 337		Rudder Forward RH	4	MCS2294-25		Connecting Link	2	MC0510105-152		Rudder Aft	
2	MC0510105-52 or 152		Rudder Aft	188B1, A188B1 1972-1				188B1, A188B1 1972-1				
1	MC0510105-73 or 173		Rudder Trim	S/N 18800833 thru 18800874				S/N 18800833 thru 18800874				
<i>Available separately for aircraft equipped with floats</i>				Complete Cable Kit P/N CCKT188-01 Complete Pulley Kit P/N PULL-KT-41*				Complete Cable Kit P/N CCKT188-06 Complete Pulley Kit P/N PULL-KT-44*				
1	MC0742022-1		Rudder Return	Qty	P/N	Location		Qty	P/N	Location		
1	MC0742022-2		Rudder Return	2	MC0510105-323		Tailwheel Steering	2	MC0510105-323		Tailwheel Steering	
188, A188 1966-1-1967-1				Aileron Cable Kit P/N CCKT-27-AIL				Aileron Cable Kit P/N CCKT-29-AIL				
S/N 1880001 thru 1880293				2	MC1660300-8		Aileron Direct to Torque Tube	2	MC1660300-35		Aileron Direct to Torque Tube	
Complete Cable Kit P/N CCKT188-01				2	MC1660300-9		Aileron Direct to Bellcrank	2	MC1660300-9		Aileron Direct to Bellcrank	
Complete Pulley Kit P/N PULL-KT-41*				1	MC1660300-11		Aileron Carry Thru LH	1	MC1660300-33		Aileron Carry Thru LH	
Qty	P/N	Galv SS	Location	1	MC1660300-10		Aileron Carry Thru RH	1	MC1660300-38		Aileron Carry Thru RH	
2	MC0510105-323		Tailwheel Steering	4	MC0422280		Bellcrank Aileron Bushing	4	MC0422280		Bellcrank Aileron Bushing	
Elevator Cable Kit P/N CCKT-33-ELE				Flap Cable Kit P/N CCKT-14FLP				Elevator Cable Kit P/N CCKT-33-ELE				
1	MC1660300-3		Elevator Down Forward	1	MC1660300-13		Flap Direct LH Bellcrank	1	MC1660300-3		Elevator Down Forward	
1	MC1660300-5		Elevator Up	1	MC1660300-12		Flap Direct RH Bellcrank	1	MC1660300-5		Elevator Up	
1	MC1660300-4		Elevator Down Aft	1	MC1660300-15		Flap Retract LH Bellcrank	1	MC1660300-4		Elevator Down Aft	
1	MC1660300-6		Elevator Trim Forward Upper	1	MC1660300-14		Flap Retract RH Bellcrank	1	MC1660300-6		Elevator Trim Forward Upper	
1	MC1660300-7		Elevator Trim Forward Lower	1	MC1660300-21		Flap Retract to Lever	1	MC1660300-7		Elevator Trim Forward Lower	
1	MC0510105-187		Elevator Trim Aft Lower	1	MC1660300-20		Flap Direct to Lever	1	MC0510105-187		Elevator Trim Aft Lower	
1	MC0510105-198		Elevator Trim Aft Upper	Rudder Cable Kit P/N CCKT-20-RUD				1	MC0510105-198		Elevator Trim Aft Upper	
1	MCS2295-25-70		Elevator Trim Chain Forward	2	MC1660300-1		Rudder Forward	1	MCS2295-25-70		Elevator Trim Chain Forward	
1	MCS2295P25-71		Elevator Trim Chain Aft	2	MC1660300-2		Rudder Center	1	MCS2295P25-71		Elevator Trim Chain Aft	
4	MCS2294-25		Connecting Link	2	MC0510105-152		Rudder Aft	4	MCS2294-25		Connecting Link	
Kit continues in next column				Kit continues on next page				Kit continues on next page				

* See pages 191-192 for Pulley Kit Components
 1 Partial model eligibility
 2 Included in both galvanized and stainless kits.
 3 Listed for reference only.

Flight Control System Flight Control Cables - Cessna

Continued from previous page		
Qty	P/N Galv SS	Location
1	MC1660300-38	Aileron Carry Thru RH
4	MC0422280	Bellcrank Aileron Bushing
Elevator Cable Kit P/N CCKT-33-ELE		
1	MC1660300-3	Elevator Down Forward
1	MC1660300-5	Elevator Up
1	MC1660300-4	Elevator Down Aft
1	MC1660300-6	Elevator Trim Forward Upper
1	MC1660300-7	Elevator Trim Forward Lower
1	MC0510105-187	Elevator Trim Aft Lower
1	MC0510105-198	Elevator Trim Aft Upper
1	MCS2295-25-70	Elevator Trim Chain Forward
1	MCS2295P25-71	Elevator Trim Chain Aft
4	MCS2294-25	Connecting Link
Flap Cable Kit P/N CCKT-14FLP		
1	MC1660300-13	Flap Direct LH Bellcrank
1	MC1660300-12	Flap Direct RH Bellcrank
1	MC1660300-15	Flap Retract LH Bellcrank
1	MC1660300-14	Flap Retract RH Bellcrank
1	MC1660300-21	Flap Retract to Lever
1	MC1660300-20	Flap Direct to Lever
Rudder Cable Kit P/N CCKT-20-RUD		
2	MC1660300-1	Rudder Forward
2	MC1660300-2	Rudder Center
2	MC0510105-152	Rudder Aft
188B, A188B 1972-1973 S/N 18800875 thru 18801374 & 967T thru 1374T Complete Cable Kit P/N CCKT188-07 Complete Pulley Kit P/N PULL-KT-44* or -45* Note 1		
Qty P/N Location		
2	MC0510105-323	Tailwheel Steering
1	MC1613245-2	Parking Brake Cable
1	MC1660300-41	Deflector
1	MC9861000-1	Tailwheel Lock Control
Aileron Cable Kit P/N CCKT-29-AIL		
2	MC1660300-35	Aileron Direct to Torque Tube
2	MC1660300-9	Aileron Direct to Bellcrank
1	MC1660300-33	Aileron Carry Thru LH
1	MC1660300-38	Aileron Carry Thru RH
4	MC0422280	Bellcrank Aileron Bushing
Elevator Cable Kit P/N CCKT-33-ELE		
1	MC1660300-3	Elevator Down Forward
1	MC1660300-5	Elevator Up
1	MC1660300-4	Elevator Down Aft
1	MC1660300-6	Elevator Trim Forward Upper
1	MC1660300-7	Elevator Trim Forward Lower
1	MC0510105-187	Elevator Trim Aft Lower
1	MC0510105-198	Elevator Trim Aft Upper
1	MCS2295-25-70	Elevator Trim Chain Forward
1	MCS2295P25-71	Elevator Trim Chain Aft
4	MCS2294-25	Connecting Link
Flap Cable Kit P/N CCKT-14FLP		
1	MC1660300-13	Flap Direct LH Bellcrank
1	MC1660300-12	Flap Direct RH Bellcrank
1	MC1660300-15	Flap Retract LH Bellcrank
1	MC1660300-14	Flap Retract RH Bellcrank
1	MC1660300-21	Flap Retract to Lever
1	MC1660300-20	Flap Direct to Lever
Rudder Cable Kit P/N CCKT-20-RUD		
2	MC1660300-1	Rudder Forward
2	MC1660300-2	Rudder Center
2	MC0510105-152	Rudder Aft
Note 1: S/N 18800875 thru 18801348 USE PULL-KT-44 S/N 18801349T thru 18801374T USE PULL-KT-44 S/N 18801349 thru 18801374 USE PULL-KT-45		
188B, A188B 1974 S/N 18801375 thru 18801402 & 1375T thru 1402T Complete Cable Kit P/N CCKT188-08 Complete Pulley Kit P/N PULL-KT-45*		
Qty P/N Location		
2	MC0510105-323	Tailwheel Steering
1	MC1613245-2	Parking Brake Cable
1	MC1660300-42	Deflector W/Flashing Beacon
1	MC1660300-43	Deflector
1	MC9861000-1	Tailwheel Lock Control
Aileron Cable Kit P/N CCKT-29-AIL		
2	MC1660300-35	Aileron Direct to Torque Tube
2	MC1660300-9	Aileron Direct to Bellcrank
1	MC1660300-33	Aileron Carry Thru LH
1	MC1660300-38	Aileron Carry Thru RH
4	MC0422280	Bellcrank Aileron Bushing
Elevator Cable Kit P/N CCKT-33-ELE		
1	MC1660300-3	Elevator Down Forward
1	MC1660300-5	Elevator Up
1	MC1660300-4	Elevator Down Aft
1	MC1660300-6	Elevator Trim Forward Upper
1	MC1660300-7	Elevator Trim Forward Lower
1	MC0510105-187	Elevator Trim Aft Lower
1	MC0510105-198	Elevator Trim Aft Upper
1	MCS2295-25-70	Elevator Trim Chain Forward
1	MCS2295P25-71	Elevator Trim Chain Aft
4	MCS2294-25	Connecting Link
Flap Cable Kit P/N CCKT-14FLP		
1	MC1660300-13	Flap Direct LH Bellcrank

Continued from previous column		
Qty	P/N	Location
1	MC1660300-6	Elevator Trim Forward Upper
1	MC1660300-7	Elevator Trim Forward Lower
1	MC0510105-187	Elevator Trim Aft Lower
1	MC0510105-198	Elevator Trim Aft Upper
1	MCS2295-25-70	Elevator Trim Chain Forward
1	MCS2295P25-71	Elevator Trim Chain Aft
4	MCS2294-25	Connecting Link
Flap Cable Kit P/N CCKT-14FLP		
1	MC1660300-13	Flap Direct LH Bellcrank
1	MC1660300-12	Flap Direct RH Bellcrank
1	MC1660300-15	Flap Retract LH Bellcrank
1	MC1660300-14	Flap Retract RH Bellcrank
1	MC1660300-21	Flap Retract to Lever
1	MC1660300-20	Flap Direct to Lever
Rudder Cable Kit P/N CCKT-20-RUD		
2	MC1660300-1	Rudder Forward
2	MC1660300-2	Rudder Center
2	MC0510105-152	Rudder Aft
188B, A188B 1974-1975 S/N 18801403 thru 18802348 & 1403T thru 2348T Complete Cable Kit P/N CCKT188-09 Complete Pulley Kit P/N PULL-KT-46*		
Qty P/N Location		
2	MC0510105-323	Tailwheel Steering
1	MC1613245-2	Parking Brake Cable
1	MC1660300-42	Deflector W/Flashing Beacon
1	MC1660300-43	Deflector
2	MC1660300-44	Parking Brake
1	MC9861000-1	Tailwheel Lock Control
Aileron Cable Kit P/N CCKT-29-AIL		
2	MC1660300-35	Aileron Dir to Torque Tube
2	MC1660300-9	Aileron Direct to Bellcrank
1	MC1660300-33	Aileron Carry Thru LH
1	MC1660300-38	Aileron Carry Thru RH
4	MC0422280	Bellcrank Aileron Bushing
Elevator Cable Kit P/N CCKT-33-ELE		
1	MC1660300-3	Elevator Down Forward
1	MC1660300-5	Elevator Up
1	MC1660300-4	Elevator Down Aft
1	MC1660300-6	Elevator Trim Forward Upper
1	MC1660300-7	Elevator Trim Forward Lower
1	MC0510105-187	Elevator Trim Aft Lower
1	MC0510105-198	Elevator Trim Aft Upper
1	MCS2295-25-70	Elevator Trim Chain Forward
1	MCS2295P25-71	Elevator Trim Chain Aft
4	MCS2294-25	Connecting Link
Flap Cable Kit P/N CCKT-14FLP		
1	MC1660300-13	Flap Direct LH Bellcrank
1	MC1660300-12	Flap Direct RH Bellcrank
1	MC1660300-15	Flap Retract LH Bellcrank
1	MC1660300-14	Flap Retract RH Bellcrank
1	MC1660300-21	Flap Retract to Lever
1	MC1660300-20	Flap Direct to Lever
Rudder Cable Kit P/N CCKT-20-RUD		
2	MC1660300-1	Rudder Forward
2	MC1660300-2	Rudder Center
2	MC0510105-152	Rudder Aft
A188B 1976 S/N 18802349 thru 18802745, 18802349T thru 18802745T Complete Cable Kit P/N CCKT188-10 Complete Pulley Kit P/N PULL-KT-46*		
Qty P/N Location		
2	MC0510105-323	Tailwheel Steering
1	MC1613245-2	Parking Brake Cable
1	MC9861000-1	Tailwheel Lock Control
Aileron Cable Kit P/N CCKT-29-AIL		
2	MC1660300-35	Aileron Direct to Torque Tube
2	MC1660300-9	Aileron Direct to Bellcrank
1	MC1660300-33	Aileron Carry Thru LH
1	MC1660300-38	Aileron Carry Thru RH
4	MC0422280	Bellcrank Aileron Bushing
Elevator Cable Kit P/N CCKT-33-ELE		
1	MC1660300-3	Elevator Down Forward
1	MC1660300-5	Elevator Up
1	MC1660300-4	Elevator Down Aft
1	MC1660300-6	Elevator Trim Forward Upper
1	MC1660300-7	Elevator Trim Forward Lower
1	MC0510105-187	Elevator Trim Aft Lower
1	MC0510105-198	Elevator Trim Aft Upper
1	MCS2295-25-70	Elevator Trim Chain Forward
1	MCS2295P25-71	Elevator Trim Chain Aft
4	MCS2294-25	Connecting Link
Flap Cable Kit P/N CCKT-14FLP		
1	MC1660300-13	Flap Direct LH Bellcrank

Continued from previous column		
Qty	P/N	Location
1	MC1660300-12	Flap Direct RH Bellcrank
1	MC1660300-15	Flap Retract LH Bellcrank
1	MC1660300-14	Flap Retract RH Bellcrank
1	MC1660300-21	Flap Retract to Lever
1	MC1660300-20	Flap Direct to Lever
Rudder Cable Kit P/N CCKT-20-RUD		
2	MC1660300-1	Rudder Forward
2	MC1660300-2	Rudder Center
2	MC0510105-152	Rudder Aft
A188B 1977-1978 S/N 18802746 thru 18803296, 18802746T thru 18803296T Complete Cable Kit P/N CCKT188-11 Complete Pulley Kit P/N PULL-KT-46*		
Qty P/N Location		
2	MC0760135-106	Tailwheel Steering
1	MC1613245-2	Parking Brake Cable
1	MC9861000-1	Tailwheel Lock Control
Aileron Cable Kit P/N CCKT-29-AIL		
2	MC1660300-35	Aileron Direct to Torque Tube
2	MC1660300-9	Aileron Direct to Bellcrank
1	MC1660300-33	Aileron Carry Thru LH
1	MC1660300-38	Aileron Carry Thru RH
4	MC0422280	Bellcrank Aileron Bushing
Elevator Cable Kit P/N CCKT-33-ELE		
1	MC1660300-3	Elevator Down Forward
1	MC1660300-5	Elevator Up
1	MC1660300-4	Elevator Down Aft
1	MC1660300-6	Elevator Trim Forward Upper
1	MC1660300-7	Elevator Trim Forward Lower
1	MC0510105-187	Elevator Trim Aft Lower
1	MC0510105-198	Elevator Trim Aft Upper
1	MCS2295-25-70	Elevator Trim Chain Forward
1	MCS2295P25-71	Elevator Trim Chain Aft
4	MCS2294-25	Connecting Link
Flap Cable Kit P/N CCKT-15FLP		
1	MC1660300-13	Flap Direct LH Bellcrank
1	MC1660300-12	Flap Direct RH Bellcrank
1	MC1660300-15	Flap Retract LH Bellcrank
1	MC1660300-14	Flap Retract RH Bellcrank
1	1660300-47	Flap Retract to Lever
1	1660300-46	Flap Direct to Lever
Rudder Cable Kit P/N CCKT-20-RUD		
2	MC1660300-1	Rudder Forward
2	MC1660300-2	Rudder Center
2	MC0510105-152	Rudder Aft
A188B, T188C 1979 S/N 18803297 thru 18803521, 18803297T thru 18803521T, T18803297T thru T18803521T Complete Cable Kit P/N CCKT188-12 Complete Pulley Kit P/N PULL-KT-46*		
Qty P/N Location		
2	MC0760135-106	Tailwheel Steering
1	MC1613245-2	Parking Brake Cable
1	MC9861000-1	Tailwheel Lock Control
1	MC1660300-48	Deflector
Aileron Cable Kit P/N CCKT-29-AIL		
2	MC1660300-35	Aileron Direct to Torque Tube
2	MC1660300-9	Aileron Direct to Bellcrank
1	MC1660300-33	Aileron Carry Thru LH
1	MC1660300-38	Aileron Carry Thru RH
4	MC0422280	Bellcrank Aileron Bushing
Elevator Cable Kit P/N CCKT-33-ELE		
1	MC1660300-3	Elevator Down Forward
1	MC1660300-5	Elevator Up
1	MC1660300-4	Elevator Down Aft
1	MC1660300-6	Elevator Trim Forward Upper
1	MC1660300-7	Elevator Trim Forward Lower
1	MC0510105-187	Elevator Trim Aft Lower
1	MC0510105-198	Elevator Trim Aft Upper
1	MCS2295-25-70	Elevator Trim Chain Forward
1	MCS2295P25-71	Elevator Trim Chain Aft
4	MCS2294-25	Connecting Link
Flap Cable Kit P/N CCKT-15FLP		
1	MC1660300-13	Flap Direct LH Bellcrank
1	MC1660300-12	Flap Direct RH Bellcrank
1	MC1660300-15	Flap Retract LH Bellcrank
1	MC1660300-14	Flap Retract RH Bellcrank
1	1660300-47	Flap Retract to Lever
1	1660300-46	Flap Direct to Lever
Rudder Cable Kit P/N CCKT-20-RUD		
2	MC1660300-1	Rudder Forward
2	MC1660300-2	Rudder Center

Flight Control System

Kit continues in next column

Kit continues in next column

* See pages 191-192 for Pulley Kit Components
 1 Partial model eligibility 2 Listed for reference only.



	<i>Continued from previous page</i>			<i>Continued from previous column</i>			<i>Continued from previous column</i>					
Flight Control System	Qty	P/N	Galv SS	Location	Qty	P/N	Galv SS	Location	Qty	P/N	Galv SS	Location
	2	MC0510105-152		Rudder Aft	Elevator Cable Kit				1	MCS2295-25-185		Chain Elevator Trim Fwd Low
	A188B, T188C 1980-1983				P/N CCKT-35G-ELE or CCKT-35S-ELE				1	MC1260505-16 or 116		Elevator Trim Forward LH ²
	S/N 18803522 thru 18803856, 18803522T thru 18803968T, T18803522T thru T18803968T				1	MC1260505-18 or 118		Elevator Down	1	MC1260505-21 or 121		Elevator Trim Forward RH ²
	Complete Cable Kit P/N CCKT188-13				1	MC1260505-19 or 119		Elevator Up	1	MC1260505-46 or 146		Elevator Trim Aft LH ³
	Complete Pulley Kit P/N PULL-KT-46*				1	MC1260505-2 or 102		Elevator Down Spring	1	MC1260505-45 or 145		Elevator Trim Aft RH ³
	Qty	P/N	Galv SS	Location	1	MCS2295-25-185		Chain Elevator Trim Fwd Low	1	MC1260505-168 or 168		Elevator Trim Center LH ⁹
	2	MC0760135-106		Tailwheel Steering	1	MCS2295A25-111		Chain Elevator Trim Fwd Up	1	MC1260505-64 or 164		Elevator Trim Center RH ⁹
	1	MC1613245-2		Parking Brake Cable	1	MC1260505-16 or 116		Elevator Trim Forward LH	1	MC1260505-63 or 163		Elevator Trim Forward LH ²
	1	MC9861000-1		Tailwheel Lock Control	1	MC1260505-21 or 121		Elevator Trim Forward RH	1	MC1260505-69 or 169		Elevator Trim Aft RH ⁹
	Aileron Cable Kit				1	MC1260505-8 or 108		Elevator Trim Aft LH	1	MC1260505-57 or 157		Elevator Trim Aft LH ⁹
	P/N CCKT-29-AIL				1	MC1260505-20 or 120		Elevator Trim Aft RH	1	MCS2295P25-113 ¹⁰		Chain Elevator Trim Actuator
	2	MC1660300-35		Aileron Direct to Torque Tube	1	MCS2295P25-113		Chain Elevator Trim Actuator	6	MCS2294-25		Chain Connecting Link
	2	MC1660300-9		Aileron Direct to Bellcrank	Flap Cable Kit							
	1	MC1660300-33		Aileron Carry Thru LH	P/N CCKT-12G-FLP or CCKT-12S-FLP							
	1	MC1660300-38		Aileron Carry Thru RH	1	MC0510105-93 or 193 ⁶		Flap Retract	1	MC0510105-94 or 194 ⁶		Flap Retract
	4	MC0422280		Bellcrank Aileron Bushing	1	MC0510105-91 or 191		Flap Direct RH	1	MC0510105-91 or 191		Flap Direct LH
	Elevator Cable Kit				1	MC0510105-94 or 194 ⁶		Flap Retract	1	MC0510105-92 or 192		Flap Direct RH
	P/N CCKT-33-ELE				1	MC0510105-92 or 192		Flap Direct RH	Rudder Cable Kit			
	1	MC1660300-3		Elevator Down Forward	P/N CCKT-21G-RUD or CCKT-21S-RUD							
	1	MC1660300-5		Elevator Up	1	MC0510105-203 or 303		Rudder Forward LH	1	MC0510105-203 or 303		Rudder Forward LH
	1	MC1660300-4		Elevator Down Aft	1	MC0510105-204 or 304		Rudder Forward RH	1	MC0510105-204 or 304		Rudder Forward RH
	1	MC1660300-6		Elevator Trim Forward Upper	1	MC1260505-13 or 113		Rudder Aft LH	1	MC1260505-12 or 112		Rudder Aft LH
	1	MC1660300-7		Elevator Trim Forward Lower	1	MC1260505-12 or 112		Rudder Aft RH	<i>Available separately for aircraft with camera option</i>			
	1	MC0510105-187		Elevator Trim Aft Lower	206, U206, A, B, TU206A, B 1964-1967							
	1	MC0510105-198		Elevator Trim Aft Upper	P206, P206A, B, TP206A, B 1964-1967							
	1	MCS2295-25-70		Elevator Trim Chain Forward	S/N 206-0001 thru U206-0914, P206-0001 thru P206-0419							
	1	MCS2295P25-71		Elevator Trim Chain Aft	Complete Cable Kit P/N CCKT206-01G (Galvanized)							
	4	MCS2294-25		Connecting Link	Complete Cable Kit P/N CCKT206-01S (Stainless Steel)							
	Flap Cable Kit				Complete Pulley Kit P/N PULL-KT-48*							
	P/N CCKT-15FLP				Qty	P/N	Galv SS	Location	Qty	P/N	Galv SS	Location
	1	MC1660300-13		Flap Direct LH Bellcrank	1	MC1260417-1 or 2		Park Cable and Tube	1	MC1260505-1 or 101		Park Brake
	1	MC1660300-12		Flap Direct RH Bellcrank	1	MC1260505-1 or 101		Park Brake	Aileron Cable Kit			
	1	MC1660300-15		Flap Retract LH Bellcrank	P/N CCKT-31G-AIL or CCKT-31S-AIL							
	1	MC1660300-14		Flap Retract RH Bellcrank	2	MC1260505-25 or 125		Aileron Direct	2	MC1260505-26 or 126		Aileron Direct Outboard
	1	1660300-47 ⁷		Flap Retract to Lever	1	MC1260505-23 or 123		Aileron Carry Thru LH	1	MC1260505-27 or 127		Aileron Carry Thru RH
	1	1660300-46 ⁷		Flap Direct to Lever	Elevator Cable Kit							
	Rudder Cable Kit				P/N CCKT-36G-ELE or CCKT-36S-ELE							
	P/N CCKT-20-RUD				1	MC1260505-29 or 129		Elevator Down Forward	1	MC1260505-29 or 129		Elevator Down Forward
	2	MC1660300-1		Rudder Forward	1	MC1260505-30 or 130		Elevator Up Forward	1	MC1260505-28 or 128		Elevator Down Spring
	2	MC1660300-2		Rudder Center	1	MCS2295A25-111		Chain Elevator Trim Fwd Up	1	MCS2295-25-185		Chain Elevator Trim Fwd Low
	2	MC0510105-152		Rudder Aft	1	MC1260505-16 or 116		Elevator Trim Forward LH	1	MC1260505-21 or 121		Elevator Trim Forward RH
	210-5 (205) 1 1963 1				1	MC1260505-21 or 121		Elevator Trim Forward RH	1	MC1260505-8 or 108		Elevator Trim Aft LH
	S/N 205-0001 thru 205-0050				1	MC1260505-20 or 120		Elevator Trim Aft RH	1	MCS2295P25-113 ¹⁰		Chain Elevator Trim Actuator
	Complete Cable Kit P/N CCKT205-01G (Galvanized)				6	MCS2294-25		Chain Connecting Link	Flap Cable Kit			
	Complete Cable Kit P/N CCKT205-01S (Stainless Steel)				P/N CCKT-12G-FLP or CCKT-12S-FLP							
	Complete Pulley Kit P/N PULL-KT-47*				1	MC0510105-93 or 193 ⁶		Flap Retract	1	MC0510105-94 or 194 ⁶		Flap Retract
	Qty	P/N	Galv SS	Location	1	MC0510105-91 or 191		Flap Direct LH	1	MC0510105-91 or 191		Flap Direct LH
	1	MC1260505-1 or 101		Park Brake	1	MC0510105-92 or 192		Flap Direct RH	Rudder Cable Kit			
	1	MC1260417-1 or 2		Park Brake Cable & Tube	P/N CCKT-21G-RUD or CCKT-21S-RUD							
	Aileron Cable Kit				Qty	P/N	Galv SS	Location	Qty	P/N	Galv SS	Location
	P/N CCKT-30G-AIL or CCKT-30S-AIL				1	MC1260505-1 or 101		Park Brake	1	MC0510105-203 or 303		Rudder Forward LH
	2	MC1260505-3 or 103		Aileron Direct	1	MC1260417-1 or 2		Park Brake Cable and Tube	1	MC0510105-204 or 304		Rudder Forward RH
	1	MC0510105-13 or 113		Aileron Carry Thru	Aileron Cable Kit							
	4	MC0422280		Bellcrank Aileron Bushing	P/N CCKT-32G-AIL or CCKT-32S-AIL							
	Elevator Cable Kit				1	MC1260078-8 or 108		Aileron Yoke RH	1	MC1260078-8 or 108		Aileron Yoke LH
	P/N CCKT-34G-ELE or CCKT-34S-ELE				1	MC1260078-5 or 105		Aileron Yoke Primary	2	MC1260505-55 or 155		Aileron Direct Inboard
	1	MC1260505-18 or 118		Elevator Down	2	MC1260505-58 or 158		Aileron Direct Outboard	2	MC1260505-60 or 160		Aileron Carry Thru LH
	1	MC1260505-19 or 119		Elevator Up	1	MC1260505-54 or 154		Aileron Carry Thru RH	Elevator Cable Kit			
	1	MC1260505-2 or 102		Elevator Down Spring	P/N CCKT-38G-ELE or CCKT-38S-ELE							
	1	MCS2295-25-185		Chain Elevator Trim Fwd Low	P/N CCKT-38GE-ELE or CCKT-38SE-ELE (Electric Trim)							
	1	MCS2295A25-111		Chain Elevator Trim Fwd Up	1	MC1260505-29 or 129		Elevator Down Forward	1	MC1260505-29 or 129		Elevator Down Forward
	1	MC1260505-16 or 116		Elevator Trim Forward LH	1	MC1260505-30 or 130		Elevator Up Forward	1	MC1260505-30 or 130		Elevator Up Forward
	1	MC1260505-17 or 117		Elevator Trim Forward RH	1	MC1260505-303 or 303		Elevator Down Spring	1	MCS2295A25-111		Chain Elevator Trim Fwd Up
	1	MC1260505-8 or 108		Elevator Trim Aft LH	1	MCS2295-25-185		Chain Elevator Trim Fwd Low	1	MC1260505-95 or 195		Elevator Trim Forward LH ⁹
	1	MC1260505-7 or 107		Elevator Trim Aft RH	1	MC1260505-92 or 192		Elevator Trim Forward RH ⁸	1	MC1260505-92 or 192		Elevator Trim Forward RH ⁸
	1	MCS2295P25-113		Chain Elevator Trim Actuator	1	MC1260505-46 or 146		Elevator Trim Aft LH ³	1	MC1260505-91 or 191		Elevator Trim Aft RH ³
	6	MCS2294-25		Chain Connecting Link	1	MC1260505-168 or 168		Elevator Trim Center LH ⁹	1	MC1260505-64 or 164		Elevator Trim Center RH ⁹
	Flap Cable Kit				P/N CCKT-12G-FLP or CCKT-12S-FLP							
	P/N CCKT-12G-FLP or CCKT-12S-FLP				1	MC1260505-63 or 163		Elevator Trim Forward LH ²	1	MC1260505-69 or 169		Elevator Trim Aft RH ⁹
	1	MC0510105-93 or 193 ⁶		Flap Retract	1	MC1260505-69 or 169		Elevator Trim Aft LH ⁹	1	MCS2295-25-47		Chain Elevator Trim Actuator
	1	MC0510105-91 or 191		Flap Direct RH	6	MCS2294-25		Chain Connecting Link	Flap Cable Kit			
	1	MC0510105-94 or 194 ⁶		Flap Retract	P/N CCKT-12G-FLP or CCKT-12S-FLP							
	1	MC0510105-92 or 192		Flap Direct RH	1	MC0510105-93 or 193 ⁶		Flap Retract	1	MC0510105-94 or 194 ⁶		Flap Retract
	Rudder Cable Kit				P/N CCKT-21G-RUD or CCKT-21S-RUD							
	P/N CCKT-21G-RUD or CCKT-21S-RUD				1	MC0510105-91 or 191		Flap Direct LH	1	MC0510105-91 or 191		Flap Direct LH
	1	MC0510105-203 or 303		Rudder Forward LH	1	MC0510105-92 or 192		Flap Direct RH	Rudder Cable Kit			
	1	MC0510105-204 or 304		Rudder Forward RH	P/N CCKT-21G-RUD or CCKT-21S-RUD							
	1	MC1260505-13 or 113		Rudder Aft LH	1	MC0510105-203 or 303		Rudder Forward LH	1	MC0510105-204 or 304		Rudder Forward RH
	1	MC1260505-12 or 112		Rudder Aft RH	1	MC1260505-12 or 112		Rudder Aft LH	1	MC1260505-12 or 112		Rudder Aft LH
	210-5 (205) 1 210-5A (205A) 1963 1-1964				1	MC1260505-13 or 113		Rudder Aft RH	1	MC1260505-13 or 113		Rudder Aft LH
	S/N 205-0051 thru 205-0577				<i>Available separately for aircraft with camera option</i>							
	Complete Cable Kit P/N CCKT205-02G (Galvanized)				1	MC1260105-9 or 109		Rudder Aft LH with Camera	Flap Cable Kit			
	Complete Cable Kit P/N CCKT205-02S (Stainless Steel)				P/N CCKT-12G-FLP or CCKT-12S-FLP							
	Complete Pulley Kit P/N PULL-KT-47*				1	MC0510105-93 or 193 ⁶		Flap Retract	1	MC0510105-94 or 194 ⁶		Flap Retract
	Qty	P/N	Galv SS	Location	1	MC0510105-91 or 191		Flap Direct LH	1	MC0510105-91 or 191		Flap Direct LH
	1	MC1260505-1 or 101		Park Brake	1	MC0510105-92 or 192		Flap Direct RH	Rudder Cable Kit			
	1	MC1260417-1 or 2		Park Brake Cable & Tube	P/N CCKT-21G-RUD or CCKT-21S-RUD							
	Aileron Cable Kit				Qty	P/N	Galv SS	Location	Qty	P/N	Galv SS	Location
	P/N CCKT-30G-AIL or CCKT-30S-AIL				1	MC1260505-1 or 101		Park Brake	1	MC0510105-203 or 303		Rudder Forward LH
	2	MC1260505-3 or 103		Aileron Direct	1	MC1260417-1 or 2		Park Brake Cable and Tube	1	MC0510105-204 or 304		Rudder Forward RH
	1	MC0510105-13 or 113		Aileron Carry Thru	Aileron Cable Kit							
	4	MC0422280		Bellcrank Aileron Bushing	P/N CCKT-37G-ELE or CCKT-37S-ELE							
	Elevator Cable Kit				P/N CCKT-37GE-ELE or CCKT-37SE-ELE (Electric Trim)							
	P/N CCKT-30G-AIL or CCKT-30S-AIL				1	MC1260505-29 or 129		Elevator Down Forward	1	MC1260505-29 or 129		Elevator Down Forward
	2	MC1260505-3 or 103		Aileron Direct	1	MC1260505-30 or 130		Elevator Up Forward	1	MC1260505-30 or 130		Elevator Up Forward
	1	MC0510105-13 or 113		Aileron Carry Thru	1	MC1260505-53 or 153		Elevator Down Spring	1	MCS2295A25-111		Chain Elevator Trim Fwd Up
	4	MC0422280		Bellcrank Aileron Bushing	Elevator Cable Kit							
	P/N CCKT-30G-AIL or CCKT-30S-AIL				P/N CCKT-37G-ELE or CCKT-37S-ELE							
	2	MC1260505-3 or 103		Aileron Direct	P/N CCKT-37GE-ELE or CCKT-37SE-ELE (Electric Trim)							
	1	MC0510105-13 or 113		Aileron Carry Thru	1	MC1260505-29 or 129		Elevator Down Forward	1	MC1260505-30 or 130		Elevator Up Forward
	4	MC0422280		Bellcrank Aileron Bushing	1	MC1260505-30 or 130		Elevator Up Forward	1	MC1260505-53 or 153		Elevator Down Spring
	Kit continues in next column				1	MCS2295A25-111		Chain Elevator				



Flight Control System

Continued from previous page			
Qty	P/N	Galv	SS Location
Flap Cable Kit			
P/N CCKT-16G-FLP or CCKT-16S-FLP			
1	MC0510105-93 or 193	6	Flap Retract
1	MC0510105-94 or 194	6	Flap Retract
1	MC0510105-259 or 359		Flap Direct LH
1	MC0510105-92 or 192		Flap Direct RH
Rudder Cable Kit			
P/N CCKT-23G-RUD or CCKT-23S-RUD			
1	MC0510105-229 or 329		Rudder Forward LH
1	MC0510105-230 or 330		Rudder Forward RH
1	MC1260505-13 or 113		Rudder Aft LH
1	MC1260505-12 or 112		Rudder Aft RH
<i>Available separately for aircraft with camera option</i>			
1	MC1260505-83 or 183		Rudder RH with Camera
1	MC1260505-84 or 184		Rudder LH with Camera
2	MC1260505-310 or 410		Elevator with Camera
1	MC1260505-79 or 179		Elevator Trim RH with Camera
1	MC1260505-80 or 180		Elevator Trim LH with Camera
Note 1 S/N 20700268 thru 20700390 USE PULL-KT-60 S/N 20700391 thru 20700646 USE PULL-KT-61			
207A, T207A 1980-1981			
S/N 20700647 thru 20600672			
Complete Cable Kit P/N CCKT207-07G (Galvanized)			
Complete Cable Kit P/N CCKT207-07S (Stainless Steel)			
Complete Pulley Kit P/N PULL-KT-61*			
Qty	P/N	Galv	SS Location
1	MC1260505-317 or 417		Park Brake
1	MC1260417-6 or 7		Park Brake Cable & Tube
Aileron Cable Kit			
P/N CCKT-33G-AIL or CCKT-33S-AIL			
1	MC1260078-8 or 108		Aileron Yoke RH
1	MC1260078-7 or 107		Aileron Yoke LH
1	MC1260078-5 or 105		Aileron Yoke Primary
2	MC1260505-55 or 155		Aileron Direct Inboard
2	MC1260505-58 or 158		Aileron Direct Outboard
1	MC1260505-60 or 160		Aileron Carry Thru LH
1	MC1260505-54 or 154		Aileron Carry Thru RH
Elevator Cable Kit			
P/N CCKT-46G-ELE or CCKT-46S-ELE			
2	MC1260505-307 or 407		Elevator
1	MCS2295A25-111		Chain Elevator Trim Fwd Up
1	MCS2295P25-185		Chain Elevator Trim Fwd Low
1	MCS2295P25-47		Chain Elevator Trim Actuator
6	MCS2294-25		Chain Connecting Link
1	MC1260505-94 or 194		Elevator Trim Forward LH
1	MC1260505-93 or 193		Elevator Trim Forward RH
1	MC1260505-46 or 146		Elevator Trim Aft LH
1	MC1260505-91 or 191		Elevator Trim Aft RH
Flap Cable Kit			
P/N CCKT-16G-FLP or CCKT-16S-FLP			
1	MC0510105-93 or 193	6	Flap Retract
1	MC0510105-94 or 194	6	Flap Retract
1	MC0510105-259 or 359		Flap Direct LH
1	MC0510105-92 or 192		Flap Direct RH
Rudder Cable Kit			
P/N CCKT-23G-RUD or CCKT-23S-RUD			
1	MC0510105-229 or 329		Rudder Forward LH
1	MC0510105-230 or 330		Rudder Forward RH
1	MC1260505-13 or 113		Rudder Aft LH
1	MC1260505-12 or 112		Rudder Aft RH
<i>Available separately for aircraft with camera option</i>			
1	MC1260505-83 or 183		Rudder RH with Camera
1	MC1260505-84 or 184		Rudder LH with Camera
2	MC1260505-310 or 410		Elevator with Camera
1	MC1260505-79 or 179		Elevator Trim RH with Camera
1	MC1260505-80 or 180		Elevator Trim LH with Camera
207A, T207A 1981			
S/N 20700673 thru 20700729			
Complete Cable Kit P/N CCKT207-08G (Galvanized)			
Complete Cable Kit P/N CCKT207-08S (Stainless Steel)			
Complete Pulley Kit P/N PULL-KT-61*			
Qty	P/N	Galv	SS Location
1	MC1260505-317 or 417		Park Brake
1	MC1260417-6 or 7		Park Brake Cable & Tube
Aileron Cable Kit			
P/N CCKT-33G-AIL or CCKT-33S-AIL			
1	MC1260078-8 or 108		Aileron Yoke RH
1	MC1260078-7 or 107		Aileron Yoke LH
1	MC1260078-5 or 105		Aileron Yoke Primary
2	MC1260505-55 or 155		Aileron Direct Inboard
2	MC1260505-58 or 158		Aileron Direct Outboard
1	MC1260505-60 or 160		Aileron Carry Thru LH
1	MC1260505-54 or 154		Aileron Carry Thru RH
Elevator Cable Kit			
P/N CCKT-46G-ELE or CCKT-46S-ELE			
2	MC1260505-307 or 407		Elevator
1	MCS2295A25-111		Chain Elevator Trim Fwd Up
1	MCS2295P25-185		Chain Elevator Trim Fwd Low
1	MCS2295P25-47		Chain Elevator Trim Actuator
6	MCS2294-25		Chain Connecting Link
1	MC1260505-94 or 194		Elevator Trim Forward LH
1	MC1260505-93 or 193		Elevator Trim Forward RH
1	MC1260505-46 or 146		Elevator Trim Aft LH
1	MC1260505-91 or 191		Elevator Trim Aft RH
Kit continues in next column			

Continued from previous column			
Qty	P/N	Galv	SS Location
1	MC1260505-91 or 191		Elevator Trim Aft RH
Flap Cable Kit			
P/N CCKT-16G-FLP or CCKT-16S-FLP			
1	MC0510105-93 or 193	6	Flap Retract
1	MC0510105-94 or 194	6	Flap Retract
1	MC0510105-259 or 359		Flap Direct LH
1	MC0510105-92 or 192		Flap Direct RH
Rudder Cable Kit			
P/N CCKT-24G-RUD or CCKT-24S-RUD			
1	MC0510105-229 or 329		Rudder Forward LH
1	MC0510105-230 or 330		Rudder Forward RH
1	MC1260505-319 or 419		Rudder Aft LH
1	MC1260505-12 or 112		Rudder Aft RH
<i>Available separately for aircraft with camera option</i>			
1	MC1260505-83 or 183		Rudder RH with Camera
1	MC1260505-84 or 184		Rudder LH with Camera
2	MC1260505-310 or 410		Elevator with Camera
1	MC1260505-79 or 179		Elevator Trim RH with Camera
1	MC1260505-80 or 180		Elevator Trim LH with Camera
207A, T207A 1982-1984			
S/N 20700730 thru 20700788			
Complete Cable Kit P/N CCKT207-09G (Galvanized)			
Complete Cable Kit P/N CCKT207-09S (Stainless Steel)			
Complete Pulley Kit P/N PULL-KT-61*			
Qty	P/N	Galv	SS Location
1	MC1260505-317 or 417		Park Brake
1	MC1260417-6 or 7		Park Brake Cable & Tube
Aileron Cable Kit			
P/N CCKT-34G-AIL or CCKT-34S-AIL			
1	MC1260078-12 or 112		Aileron Yoke RH
1	MC1260078-11 or 111		Aileron Yoke LH
1	MC1260078-10 or 110		Aileron Yoke Primary
2	MC1260505-320 or 420		Aileron Direct Inboard
2	MC1260505-58 or 158		Aileron Direct Outboard
1	MC1260505-60 or 160		Aileron Carry Thru LH
1	MC1260505-54 or 154		Aileron Carry Thru RH
Elevator Cable Kit			
P/N CCKT-46G-ELE or CCKT-46S-ELE			
2	MC1260505-307 or 407		Elevator
1	MCS2295A25-111		Chain Elevator Trim Fwd Up
1	MCS2295P25-185		Chain Elevator Trim Fwd Low
1	MCS2295P25-47		Chain Elevator Trim Actuator
6	MCS2294-25		Chain Connecting Link
1	MC1260505-94 or 194		Elevator Trim Forward LH
1	MC1260505-93 or 193		Elevator Trim Forward RH
1	MC1260505-46 or 146		Elevator Trim Aft LH
1	MC1260505-91 or 191		Elevator Trim Aft RH
Flap Cable Kit			
P/N CCKT-16G-FLP or CCKT-16S-FLP			
1	MC0510105-93 or 193	6	Flap Retract
1	MC0510105-94 or 194	6	Flap Retract
1	MC0510105-259 or 359		Flap Direct LH
1	MC0510105-92 or 192		Flap Direct RH
2	MC1260505-310 or 410		Elevator with Camera
1	MC1260505-79 or 179		Elevator Trim RH with Camera
1	MC1260505-80 or 180		Elevator Trim LH with Camera
Rudder Cable Kit			
P/N CCKT-24G-RUD or CCKT-24S-RUD			
1	MC0510105-229 or 329		Rudder Forward LH
1	MC0510105-230 or 330		Rudder Forward RH
1	MC1260505-319 or 419		Rudder Aft LH
1	MC1260505-12 or 112		Rudder Aft RH
<i>Available separately for aircraft with camera option</i>			
1	MC1260505-84 or 184		Rudder LH with Camera
208			
<i>See Caravan Section on page 327 for more details.</i>			
S/N 20800001 thru 20899999			
Complete Cable Kit P/N CCKT208-01 (without autopilot) ¹⁵			
Complete Cable Kit P/N CCKT208-02 (with autopilot) ¹⁶			
Complete Cable Kit P/N CCKT208-03 (with autopilot) ¹⁷			
Qty	P/N	Location	
1	MC2660001-123	Control Column Interconnect	
1	MC2660001-124	Control Column Interconnect	
1	MC2660001-125	Control Column Interconnect	
1	MC2660001-126	Control Column Interconnect	
1	MC9864054-9	Flap Indicator	
Aileron Cable Kit			
P/N CCKT-35-AIL			
2	MC2660001-114	Aileron	
1	MC2660001-118	Aileron LH	
1	MC2660001-119	Aileron RH	
4	MC2660001-122	Aileron	
2	MC2660001-157	Aileron	
2	MC2660029-4	Aileron Trim	
2	MCS2295-25-35	Chain Aileron Trim	
4	MCS2294-25	Chain Connecting Link	
Aileron Cable Kit			
P/N CCKT-36-AIL Note 1			
2	MC2660001-114	Aileron	
1	MC2660001-118	Aileron LH	
1	MC2660001-119	Aileron RH	
Kit continues in next column			

Continued from previous column			
Qty	P/N	Galv	SS Location
4	MC2660001-122		Aileron
2	MC2660001-157		Aileron
2	MC2660029-4		Aileron Trim
2	MCS2295-25-35		Chain Aileron Trim
4	MCS2294-25		Chain Connecting Link
1	MC2660029-13 Note 1		Aileron Trim
1	MC2660029-15 Note 1		Aileron Trim
1	MCS2295-25-43 Note 1		Chain Aileron Trim
Elevator Cable Kit			
P/N CCKT-47-ELE			
1	MC2660001-100		Elevator
1	MC2660001-101		Elevator
1	MC2660001-102		Elevator
1	MC2660001-103		Elevator
1	MC2660001-109		Elevator Trim
1	MC2660001-155		Elevator Trim
1	MC2660001-156		Elevator Trim
1	MC2660001-110		Elevator Trim
1	MC2660001-112		Elevator Trim
1	MCS2295-25-247		Chain Elevator Trim
2	MCS2295-25-87		Chain Elevator Trim
1	MCS2295-25-101		Chain Elevator Trim Note 2
6	MCS2294-25		Chain Connecting Link
Elevator Cable Kit			
P/N CCKT-48-ELE			
1	MC2660001-100		Elevator
1	MC2660001-101		Elevator
1	MC2660001-102		Elevator
1	MC2660001-103		Elevator
1	MC2660001-109		Elevator Trim
1	MC2660001-155		Elevator Trim
1	MC2660001-156		Elevator Trim
1	MC2660001-110		Elevator Trim
1	MC2660001-112		Elevator Trim
1	MCS2295-25-247		Chain Elevator Trim
2	MCS2295-25-87		Chain Elevator Trim
1	MCS2295-25-107 Note 3		Chain Pitch Trim Servo Note 4
6	MCS2294-25		Chain Connecting Link
Rudder Cable Kit			
P/N CCKT-25-RUD			
1	MC2660001-104		Rudder
1	MC2660001-106		Rudder
1	MC2660001-107		Rudder
1	MC2660001-108		Rudder
Note 1: S/N 20800082 thru 20899999			
Note 2: When equipped with electric trim			
Note 3: S/N 20800500 thru 20899999			
Note 4: When equipped with pitch trim servo			
208B			
<i>See Caravan Section on page 327 for more details.</i>			
S/N 208B0001 thru 208B9999			
Complete Cable Kit P/N CCKT208B-01 (without autopilot) ¹⁸			
Complete Cable Kit P/N CCKT208B-02 (with autopilot) ¹⁹			
Complete Cable Kit P/N CCKT208B-03 (with autopilot) ²⁰			
Qty	P/N	Location	
1	MC2660001-123	Control Column Interconnect	
1	MC2660001-124	Control Column Interconnect	
1	MC2660001-125	Control Column Interconnect	
1	MC2660001-126	Control Column Interconnect	
1	MC9864054-9	Flap Indicator	
Aileron Cable Kit			
P/N CCKT-38-AIL			
2	MC2660001-114	Aileron	
4	MC2660001-122	Aileron	
1	MC2660001-151	Aileron	
1	MC2660001-152	Aileron	
2	MC2660001-157	Aileron	
2	MC2660029-11	Aileron Trim	
Kit continues on next page			
* See pages 191-192 for Pulley Kit Components			
1 Partial model eligibility			
6 Due to inconsistency in OEM parts these flap cables should be replaced at the same time.			
10 S/N 20800001 thru 20800081 without autopilot			
11 S/N 20800082 thru 20899999 without autopilot			
12 S/N 20800001 thru 20800081 with autopilot			
13 S/N 20800082 thru 20800499 with autopilot			
14 S/N 20800500 thru 20899999 with autopilot			
15 All serials without autopilot			
16 S/N 208B0001 thru 208B1999 with autopilot			
17 S/N 208B2000 thru 208B9999 with autopilot			
Kit continues in next column			

Flight Control System

Flight Control Cables - Cessna



Continued from previous page			
Qty	P/N	Galv SS	Location
1	MC2660029-13		Aileron Trim
1	MC2660029-15		Aileron Trim
2	MCS2295-25-35		Chain Aileron Trim
4	MCS2294-25		Chain Connecting Link
Elevator Cable Kit			
P/N	CCKT-50-ELE		
1	MC2660001-100		Elevator
1	MC2660001-102		Elevator
1	MC2660001-153		Elevator
1	MC2660001-147		Elevator
1	MC2660001-109		Elevator Trim
1	MC2660001-110		Elevator Trim
1	MC2660001-112		Elevator Trim
1	MC2660001-149		Elevator Trim
1	MC2660001-150		Elevator Trim
2	MCS2295-25-87		Chain Elevator Trim
1	MCS2295-25-101		Chain Elevator Trim Note 2
1	MCS2295-25-247		Chain Elevator Trim
8	MCS2294-25		Chain Connecting Link
Elevator Cable Kit			
P/N	CCKT-51-ELE		
1	MC2660001-100		Elevator
1	MC2660001-102		Elevator
1	MC2660001-153		Elevator
1	MC2660001-147		Elevator
1	MC2660001-109		Elevator Trim
1	MC2660001-110		Elevator Trim
1	MC2660001-112		Elevator Trim
1	MC2660001-149		Elevator Trim
1	MC2660001-150		Elevator Trim
2	MCS2295-25-87		Chain Elevator Trim
1	MCS2295-25-247		Chain Elevator Trim
6	MCS2294-25		Chain Connecting Link
Elevator Cable Kit			
P/N	CCKT-52-ELE		
1	MC2660001-100		Elevator
1	MC2660001-102		Elevator
1	MC2660001-153		Elevator
1	MC2660001-147		Elevator
1	MC2660001-109		Elevator Trim
1	MC2660001-110		Elevator Trim
1	MC2660001-112		Elevator Trim
1	MC2660001-149		Elevator Trim
1	MC2660001-150		Elevator Trim
2	MCS2295-25-87		Chain Elevator Trim
1	MCS2295-25-107		Chain Elevator Trim Note 2
1	MCS2295-25-247		Chain Elevator Trim
7	MCS2294-25		Chain Connecting Link
Rudder Cable Kit			
P/N	CCKT-26-RUD		
1	MC2660001-148		Rudder
1	MC2660001-154		Rudder
1	MC2660001-104 Note 1		Rudder
1	MC2660001-107		Rudder
Note 1: S/N 208B0001 thru 208B212, 208B2036 and 208B2048 thru 208B9999			
Note 2: When equipped with electric trim			
Note 3: S/N 208B2000 thru 208B9999			
Note 4: When equipped with pitch trim servo			
210, 210A 1960-1961			
S/N 57001 thru 21057840			
Complete Cable Kit P/N CCKT210-01G (Galvanized)			
Complete Cable Kit P/N CCKT210-01S (Stainless Steel)			
Complete Pulley Kit P/N PULL-KT-62*			
Qty	P/N	Galv SS	Location
1	MC1260105-13 or 113		Park Brake
Aileron Cable Kit			
P/N	CCKT-39G-AIL or CCKT-39S-AIL		
4	MC1260105-12		Aileron Control Tee
1	MC1260105-3 or 103		Aileron Direct
1	MC0510105-13 or 113		Aileron Carry Thru
4	MC0422280		Bellcrank Aileron Bushing
Elevator Cable Kit			
P/N	CCKT-53G-ELE or CCKT-53S-ELE		
1	MC1260105-5 or 105		Elevator Up
1	MC1260105-6 or 106		Elevator Down
1	MC1260105-12 or 112		Elevator Down Spring
1	MC1260105-4 or 104		Elevator Trim Forward LH
1	MC1260105-14 or 114		Elevator Trim Aft LH
1	MC1260105-15 or 115		Elevator Trim Forward RH
1	MC1260105-16 or 116		Elevator Trim Aft RH
1	MCS2295P25-321		Chain Elevator Trim Forward
1	MCS2295P25-113		Chain Elevator Trim Aft
4	MCS2294-25		Chain Connecting Link
Flap Cable Kit			
P/N	CCKT-17G-FLP or CCKT-17S-FLP		
2	MC1260105-10 or 110		Flap
2	MC1260105-11 or 111		Flap
Rudder Cable Kit			
P/N	CCKT-27G-RUD or CCKT-27S-RUD		
1	MC1260105-8 or 108		Rudder RH Forward
1	MC1260105-9 or 109		Rudder Aft LH
1	MC1260105-17 or 117		Rudder Aft RH
1	MC1260105-7 or 107		Rudder LH Forward

210B 1962			
S/N 21057841 thru 21058085			
Complete Cable Kit P/N CCKT210-02G (Galvanized)			
Complete Cable Kit P/N CCKT210-02S (Stainless Steel)			
Complete Pulley Kit P/N PULL-KT-63*			
Qty	P/N	Galv SS	Location
1	MC1260505-16		Park Brake
1	MC1260417-1 or 2		Park Brake Cable & Tube
Aileron Cable Kit			
P/N	CCKT-30G-AIL or CCKT-30S-AIL		
2	MC1260505-3 or 103		Aileron Direct
1	MC0510105-13 or 113		Aileron Carry Thru
4	MC0422280		Bellcrank Aileron Bushing
Elevator Cable Kit			
P/N	CCKT-54G-ELE or CCKT-54S-ELE		
1	MC1260105-9 or 109		Elevator Down
1	MC1260505-10 or 110		Elevator Up
1	MC1260505-2 or 102		Elevator Down Spring
1	MCS2295A25-111		Chain Elevator Trim Fwd Low
1	MCS2295P25-155		Chain Elevator Trim Fwd Up
1	MC1260505-5 or 105		Elevator Trim Forward RH
1	MC1260505-6 or 106		Elevator Trim Forward LH
1	MC1260505-7 or 107		Elevator Trim Aft RH
1	MC1260505-8 or 108		Elevator Trim Aft LH
1	MCS2295P25-113		Chain Elevator Trim Actuator
6	MCS2294-25		Chain Connecting Link
Flap Cable Kit			
P/N	CCKT-18G-FLP or CCKT-18S-FLP		
2	MC1260505-14 or 114		Flap
2	MC1260505-4 or 104		Flap
Rudder Cable Kit			
P/N	CCKT-28G-RUD or CCKT-28S-RUD		
1	MC1260505-15 or 115		Rudder Forward LH
1	MC1260505-11 or 111		Rudder Forward RH
1	MC1260505-13 or 113		Rudder Aft LH
1	MC1260505-12 or 112		Rudder Aft RH
210C 1963			
S/N 21058086 thru 21058220			
Complete Cable Kit P/N CCKT210-03G (Galvanized)			
Complete Cable Kit P/N CCKT210-03S (Stainless Steel)			
Complete Pulley Kit P/N PULL-KT-63*			
Qty	P/N	Galv SS	Location
1	MC1260505-12		Park Brake
1	MC1260417-1 or 2		Park Brake Cable & Tube
Aileron Cable Kit			
P/N	CCKT-30G-AIL or CCKT-30S-AIL		
2	MC1260505-3 or 103		Aileron Direct
1	MC0510105-13 or 113		Aileron Carry Thru
4	MC0422280		Bellcrank Aileron Bushing
Elevator Cable Kit			
P/N	CCKT-55G-ELE or CCKT-55S-ELE		
1	MC1260105-9 or 109		Elevator Down
1	MC1260505-10 or 110		Elevator Up
1	MC1260505-2 or 102		Elevator Down Spring
1	MCS2295A25-111		Chain Elevator Trim Fwd Low
1	MCS2295P25-155		Chain Elevator Trim Fwd Up
1	MC1260505-22 or 122		Elevator Trim Forward RH
1	MC1260505-6 or 106		Elevator Trim Forward LH
1	MC1260505-20 or 120		Elevator Trim Aft RH
1	MC1260505-8 or 108		Elevator Trim Aft LH
1	MCS2295P25-113		Chain Elevator Trim Actuator
6	MCS2294-25		Chain Connecting Link
Flap Cable Kit			
P/N	CCKT-18G-FLP or CCKT-18S-FLP		
2	MC1260505-14 or 114		Flap
2	MC1260505-4 or 104		Flap
Rudder Cable Kit			
P/N	CCKT-28G-RUD or CCKT-28S-RUD		
1	MC1260505-15 or 115		Rudder Forward LH
1	MC1260505-11 or 111		Rudder Forward RH
1	MC1260505-13 or 113		Rudder Aft LH
1	MC1260505-12 or 112		Rudder Aft RH
210D, E, F, T210F 1964-1966			
S/N 21058221 thru 21058818, T210-0001 thru T210-0197			
Complete Cable Kit P/N CCKT210-04G (Galvanized)			
Complete Cable Kit P/N CCKT210-04S (Stainless Steel)			
Complete Pulley Kit P/N PULL-KT-64*			
Qty	P/N	Galv SS	Location
1	MC1260505-12		Park Brake
1	MC1260417-1 or 2		Park Brake Cable & Tube
Aileron Cable Kit			
P/N	CCKT-31G-AIL or CCKT-31S-AIL		
2	MC1260505-25 or 125		Aileron Direct Inboard
2	MC1260505-26 or 126		Aileron Direct Outboard
1	MC1260505-23 or 123		Aileron Carry Thru LH
1	MC1260505-27 or 127		Aileron Carry Thru RH
Elevator Cable Kit			
P/N	CCKT-56G-ELE or CCKT-56S-ELE		
1	MC1260505-32 or 132		Elevator Down
1	MC1260505-33 or 133		Elevator Up
1	MC1260505-31 or 131		Elevator Down Spring
1	MCS2295A25-111		Chain Elevator Trim Fwd Low
1	MCS2295P25-155		Chain Elevator Trim Fwd Up
1	MC1260505-22 or 122		Elevator Trim Forward RH
1	MC1260505-6 or 106		Elevator Trim Forward LH

Continued from previous column			
Qty	P/N	Galv SS	Location
1	MC1260505-20 or 120		Elevator Trim Aft RH
1	MC1260505-8 or 108		Elevator Trim Aft LH
1	MCS2295P25-113		Chain Elevator Trim Actuator
6	MCS2294-25		Chain Connecting Link
Flap Cable Kit			
P/N	CCKT-12G-FLP or CCKT-12S-FLP		
1	MC0510105-93 or 193		Flap Retract
1	MC0510105-94 or 194		Flap Retract
1	MC0510105-91 or 191		Flap Direct LH
1	MC0510105-92 or 192		Flap Direct RH
Rudder Cable Kit			
P/N	CCKT-28G-RUD or CCKT-28S-RUD		
1	MC1260505-15 or 115		Rudder Forward LH
1	MC1260505-11 or 111		Rudder Forward RH
1	MC1260505-13 or 113		Rudder Aft LH
1	MC1260505-12 or 112		Rudder Aft RH
210G, T210G, 1967			
S/N 21058819 thru 21058829, T210-0198 thru T210-0240			
Complete Cable Kit P/N CCKT210-05G (Galvanized)			
Complete Cable Kit P/N CCKT210-05S (Stainless Steel)			
Complete Pulley Kit P/N PULL-KT-65*			
Qty	P/N	Galv SS	Location
1	MC1260505-1 or 101		Park Brake
1	MC1260417-1 or 2		Park Brake Cable & Tube
Aileron Cable Kit			
P/N	CCKT-40G-AIL or CCKT-40S-AIL		
1	MC1260078-3 or 103		Aileron Yoke RH
1	MC1260078-2 or 102		Aileron Yoke LH
1	MC120905-3		Aileron Yoke Carry Thru
2	MC1260078-4 or 104		Aileron Direct
2	MC1260505-40 or 140		Aileron Direct
1	MC1260505-38 or 138		Aileron Return LH
1	MC1260505-39 or 139		Aileron Return RH
Elevator Cable Kit			
P/N	CCKT-57G-ELE or CCKT-57S-ELE		
1	MC1260505-32 or 132		Elevator Down
1	MC1260505-33 or 133		Elevator Up
1	MCS2295A25-111		Chain Elevator Trim Fwd Low
1	MCS2295P25-159		Chain Elevator Trim Fwd Up
1	MC1260505-22 or 122		Elevator Trim Forward RH
1	MC1260505-35 or 135		Elevator Trim Forward LH
1	MC1260505-45 or 145		Elevator Trim Aft RH
1	MC1260505-46 or 146		Elevator Trim Aft LH
1	MCS2295-25-43		Chain Elevator Trim Actuator
6	MCS2294-25		Chain Connecting Link
Flap Cable Kit			
P/N	CCKT-19G-FLP or CCKT-19S-FLP		
1	MC1260505-49 or 149		Flap Down LH Act to Trnbkl
1	MC1260505-51 or 151		Flap Down RH Act to Trnbkl
2	MC1260505-47 or 147		Flap Down LH/RH Bell/Tnbkl
2	MC1260505-48 or 148		Flap Up LH/RH Bell/Tnbkl
1	MC1260505-50 or 150		Flap Up LH Trnbkl to Actuator
1	MC1260505-52 or 152		Flap Up RH Trnbkl to Actuator
Rudder Cable Kit			
P/N	CCKT-28G-RUD or CCKT-28S-RUD		
1	MC1260505-15 or 115		Rudder Forward LH
1	MC1260505-11 or 111		Rudder Forward RH
1	MC1260505-13 or 113		Rudder Aft LH
1	MC1260505-12 or 112		Rudder Aft RH
210H, T210H, 1967			
S/N 21058830 thru 21058936, T210-0241 thru T210-0307			
Complete Cable Kit P/N CCKT210-06G (Galvanized)			
Complete Cable Kit P/N CCKT210-06S (Stainless Steel)			
Complete Pulley Kit P/N PULL-KT-65*			
Qty	P/N	Galv SS	Location
1	MC1260505-1 or 101		Park Brake
1	MC1260417-1 or 2		Park Brake Cable & Tube
Aileron Cable Kit			
P/N	CCKT-41G-AIL or CCKT-41S-AIL		
1	MC1260078-8 or 108		Aileron Yoke RH
1	MC1260078-7 or 107		Aileron Yoke LH
1	MC1260078-5 or 105		Aileron Yoke Carry Thru
2	MC1260078-9 or 109		Aileron Direct Yoke
2	MC1260505-40 or 140		Aileron Direct Bellcrank
1	MC1260505-38 or 138		Aileron Return LH
1	MC1260505-39 or 139		Aileron Return RH
Elevator Cable Kit			
P/N	CCKT-57G-ELE or CCKT-57S-ELE		
1	MC1260505-32 or 132		Elevator Down
1	MC1260505-33 or 133		Elevator Up

Flight Control System

* See pages 191-192 for Pulley Kit Components

1 Partial model eligibility

2 Included in both galvanized and stainless kits.

6 Due to inconsistency in OEM parts these flap cables should be replaced at the same time.

9 Included in kits for electric trim aircraft only.

10 S/N 20800001 thru 20800081 without autopilot

11 S/N 20800082 thru 20899999 without autopilot

12 S/N 20800001 thru 20800081 with autop



Flight Control System

Continued from previous page

Qty	P/N	Galv	SS	Location
1	MCS2295A25-111			Chain Elevator Trim Fwd Up
1	MCS2295P25-159			Chain Elevator Trim Fwd Low
1	MC1260505-22 or 122			Elevator Trim Forward RH
1	MC1260505-35 or 135			Elevator Trim Forward LH
1	MC1260505-45 or 145			Elevator Trim Aft RH
1	MC1260505-46 or 146			Elevator Trim Aft LH
1	MCS2295-25-43			Chain Elevator Trim Actuator
6	MCS2294-25			Chain Connecting Link

Flap Cable Kit
P/N CCKT-19G-FLP or CCKT-19S-FLP

1	MC1260505-49 or 149			Flap Down LH Act to Trnbkl
1	MC1260505-51 or 151			Flap Down RH Act to Trnbkl
2	MC1260505-47 or 147			Flap Down LH/RH Bell/Trnbkl
2	MC1260505-48 or 148			Flap Up LH/RH Bell/Trnbkl
1	MC1260505-50 or 150			Flap Up LH Trnbkl to Actuator
1	MC1260505-52 or 152			Flap Up RH Trnbkl to Actuator

Rudder Cable Kit
P/N CCKT-28G-RUD or CCKT-28S-RUD

1	MC1260505-15 or 115			Rudder Forward LH
1	MC1260505-11 or 111			Rudder Forward RH
1	MC1260505-13 or 113			Rudder Aft LH
1	MC1260505-12 or 112			Rudder Aft RH

210H¹, T210H¹ 1968¹
Serial 21058937 thru 21059030, T210-0308 thru T210-0378
Complete Cable Kit P/N CCKT210-07G (Galvanized)
Complete Cable Kit P/N CCKT210-07S (Stainless Steel)
Complete Cable Kit P/N CCKT210-07GE (Galv. Elec. Trim)
Complete Cable Kit P/N CCKT210-07SE (SS Electric Trim)
Complete Pulley Kit P/N PULL-KT-66*

Qty	P/N	Galv	SS	Location
1	MC1260505-1 or 101			Park Brake
1	MC1260417-1 or 2			Park Brake Cable & Tube

Aileron Cable Kit
P/N CCKT-41G-AIL or CCKT-41S-AIL

1	MC1260078-8 or 108			Aileron Yoke RH
1	MC1260078-7 or 107			Aileron Yoke LH
1	MC1260078-5 or 105			Aileron Yoke Carry Thru
2	MC1260078-9 or 109			Aileron Direct Yoke
2	MC1260505-40 or 140			Aileron Direct Bellcrank
1	MC1260505-38 or 138			Aileron Return LH
1	MC1260505-39 or 139			Aileron Return RH

Elevator Cable Kit
P/N CCKT-57G-ELE or CCKT-57S-ELE
P/N CCKT-58GE-ELE or CCKT-58SE-ELE (Electric Trim)

1	MC1260505-32 or 132			Elevator Down
1	MC1260505-33 or 133			Elevator Up
1	MCS2295A25-111			Chain Elevator Trim Fwd Up
1	MCS2295P25-159			Chain Elevator Trim Fwd Low
1	MC1260505-22 or 122			Elevator Trim Forward RH ²
1	MC1260505-35 or 135			Elevator Trim Forward LH ²
1	MC1260505-45 or 145			Elevator Trim Aft RH ²
1	MC1260505-46 or 146			Elevator Trim Aft LH
1	MCS2295-25-43			Chain Elevator Trim Actuator
1	MC1260505-56 or 156			Elevator Aft RH ²
1	MC1260505-62 or 162			Electric Trim Forward RH ²
1	MC1260505-61 or 161			Electric Trim Forward LH ²
1	MC1260505-167 ²			Electric Trim Cen. LH SS ²
6	MCS2294-25			Chain Connecting Link

Flap Cable Kit
P/N CCKT-19G-FLP or CCKT-19S-FLP

1	MC1260505-49 or 149			Flap Down LH Act to Trnbkl
1	MC1260505-51 or 151			Flap Down RH Act to Trnbkl
2	MC1260505-47 or 147			Flap Down LH/RH Bell/Trnbkl
2	MC1260505-48 or 148			Flap Up Bellcrank to Trnbkl
1	MC1260505-50 or 150			Flap Up LH Trnbkl to Actuator
1	MC1260505-52 or 152			Flap Up RH Trnbkl to Act

Rudder Cable Kit
P/N CCKT-28G-RUD or CCKT-28S-RUD

1	MC1260505-15 or 115			Rudder Forward LH
1	MC1260505-11 or 111			Rudder Forward RH
1	MC1260505-13 or 113			Rudder Aft LH
1	MC1260505-12 or 112			Rudder Aft RH

210H¹, T210H¹ 1968¹
S/N 21059031 thru 21059061, T210-0379 thru T210-0392
Complete Cable Kit P/N CCKT210-08G (Galvanized)
Complete Cable Kit P/N CCKT210-08S (Stainless Steel)
Complete Cable Kit P/N CCKT210-08GE (Galv. Elec. Trim)
Complete Cable Kit P/N CCKT210-08SE (SS Electric Trim)
Complete Pulley Kit P/N PULL-KT-67*

Qty	P/N	Galv	SS	Location
1	MC1260505-1 or 101			Park Brake
1	MC1260417-1 or 2			Park Brake Cable & Tube

Aileron Cable Kit
P/N CCKT-41G-AIL or CCKT-41S-AIL

1	MC1260078-8 or 108			Aileron Yoke RH
1	MC1260078-7 or 107			Aileron Yoke LH
1	MC1260078-5 or 105			Aileron Yoke Carry Thru
2	MC1260078-9 or 109			Aileron Direct Yoke
2	MC1260505-40 or 140			Aileron Direct Bellcrank
1	MC1260505-38 or 138			Aileron Return LH
1	MC1260505-39 or 139			Aileron Return RH

Continued from previous column

Qty	P/N	Galv	SS	Location
Elevator Cable Kit				
P/N CCKT-57G-ELE or CCKT-57S-ELE				
P/N CCKT-58GE-ELE or CCKT-58SE-ELE (Electric Trim)				
1	MC1260505-32 or 132			Elevator Down
1	MC1260505-33 or 133			Elevator Up
1	MCS2295A25-111			Chain Elevator Trim Fwd Up
1	MCS2295P25-159			Chain Elevator Trim Fwd Low
1	MC1260505-22 or 122			Elevator Trim Forward RH ²
1	MC1260505-35 or 135			Elevator Trim Forward LH ²
1	MC1260505-45 or 145			Elevator Trim Aft RH ²
1	MC1260505-46 or 146			Elevator Trim Aft LH
1	MCS2295-25-43			Chain Elevator Trim Actuator
1	MC1260505-56 or 156			Elevator Aft RH ²
1	MC1260505-62 or 162			Electric Trim Forward RH ²
1	MC1260505-61 or 161			Electric Trim Forward LH ²
1	MC1260505-167 ²			Electric Trim Center LH SS ²
6	MCS2294-25			Chain Connecting Link

Flap Cable Kit
P/N CCKT-20G-FLP or CCKT-20S-FLP

1	MC1260505-70 or 170			Flap Up LH Trnbkl to Actuator
1	MC1260505-72 or 172			Flap Up RH Trnbkl to Act
1	MC1260505-73 or 173			Flap Down LH Trnbkl to Act
1	MC1260505-71 or 171			Flap Down RH Trnbkl to Act
2	MC1260505-48 or 148			Flap Up Bellcrk to Trnbkl
2	MC1260505-47 or 147			Flap Down LH/RH Bellcrank to Trnbkl

Rudder Cable Kit
P/N CCKT-28G-RUD or CCKT-28S-RUD

1	MC1260505-15 or 115			Rudder Forward LH
1	MC1260505-11 or 111			Rudder Forward RH
1	MC1260505-13 or 113			Rudder Aft LH
1	MC1260505-12 or 112			Rudder Aft RH

210J¹, T210J¹ 1969¹
S/N 21059062 thru 21059100, T210-0393 thru T210-0407
Complete Cable Kit P/N CCKT210-09G (Galvanized)
Complete Cable Kit P/N CCKT210-09S (Stainless Steel)
Complete Cable Kit P/N CCKT210-09GE (Galv. Elec. Trim)
Complete Cable Kit P/N CCKT210-09SE (SS Electric Trim)
Complete Pulley Kit P/N PULL-KT-68*

Qty	P/N	Galv	SS	Location
1	MC1260505-1 or 101			Park Brake
1	MC1260417-1 or 2			Park Brake Cable & Tube

Aileron Cable Kit
P/N CCKT-41G-AIL or CCKT-41S-AIL

1	MC1260078-8 or 108			Aileron Yoke RH
1	MC1260078-7 or 107			Aileron Yoke LH
1	MC1260078-5 or 105			Aileron Yoke Carry Thru
2	MC1260208-1 ²			Aileron/Rudder Int Lower
2	MC1260505-174 ²			Aileron/Rudder Int Upper
1	MC1260505-187 ²			Aileron/Rud Int Up with Tube
2	MC1260078-9 or 109			Aileron Direct Yoke
2	MC1260505-40 or 140			Aileron Direct Bellcrank
1	MC1260505-38 or 138			Aileron Return LH
1	MC1260505-39 or 139			Aileron Return RH

Elevator Cable Kit
P/N CCKT-57G-ELE or CCKT-57S-ELE
P/N CCKT-58GE-ELE or CCKT-58SE-ELE (Electric Trim)

1	MC1260505-32 or 132			Elevator Down
1	MC1260505-33 or 133			Elevator Up
1	MCS2295A25-111			Chain Elevator Trim Fwd Up
1	MCS2295P25-159			Chain Elevator Trim Fwd Low
1	MC1260505-22 or 122			Elevator Trim Forward RH ²
1	MC1260505-35 or 135			Elevator Trim Forward LH ²
1	MC1260505-45 or 145			Elevator Trim Aft RH ²
1	MC1260505-46 or 146			Elevator Trim Aft LH
1	MCS2295-25-43			Chain Elevator Trim Actuator
1	MC1260505-56 or 156			Elevator Aft RH ²
1	MC1260505-62 or 162			Electric Trim Forward RH ²
1	MC1260505-61 or 161			Electric Trim Forward LH ²
1	MC1260505-167 ²			Electric Trim Cen. LH SS ²
6	MCS2294-25			Chain Connecting Link

Flap Cable Kit
P/N CCKT-20G-FLP or CCKT-20S-FLP

1	MC1260505-70 or 170			Flap Up LH Turnbuckle to Act
1	MC1260505-72 or 172			Flap Up RH Turnbuckle to Act
1	MC1260505-73 or 173			Flap Down LH Trnbkl to Act
1	MC1260505-71 or 171			Flap Down RH Trnbkl to Act
2	MC1260505-48 or 148			Fip Up Bellcrank to Trnbkl
2	MC1260505-47 or 147			Flap Down LH/RH Bellcrank to Turnbuckle

Rudder Cable Kit
P/N CCKT-28G-RUD or CCKT-28S-RUD

1	MC1260505-15 or 115			Rudder Forward LH
1	MC1260505-11 or 111			Rudder Forward RH
1	MC1260505-13 or 113			Rudder Aft LH
1	MC1260505-12 or 112			Rudder Aft RH

210K¹, T210K¹ 1970¹
S/N 21059200 thru 21059323
Complete Cable Kit P/N CCKT210-11G (Galvanized)
Complete Cable Kit P/N CCKT210-11S (Stainless Steel)
Complete Pulley Kit P/N PULL-KT-69*

Qty	P/N	Galv	SS	Location
1	MC1260505-1 or 101			Park Brake
1	MC1260417-1 or 2			Park Brake Cable & Tube

Aileron Cable Kit
P/N CCKT-41G-AIL or CCKT-41S-AIL

1	MC1260078-8 or 108			Aileron Yoke RH
1	MC1260078-7 or 107			Aileron Yoke LH
1	MC1260078-5 or 105			Aileron Yoke Carry Thru
2	MC1260078-9 or 109			Aileron Direct Yoke
2	MC1260505-40 or 140			Aileron Direct Bellcrank
1	MC1260505-38 or 138			Aileron Return LH
1	MC1260505-39 or 139			Aileron Return RH

210J¹, T210J¹ 1969¹
S/N 21059101 thru 21059199, T210-0408 thru T210-0454
Complete Cable Kit P/N CCKT210-10G (Galvanized)
Complete Cable Kit P/N CCKT210-10S (Stainless Steel)
Complete Cable Kit P/N CCKT210-10GE (Galv. Elec. Trim)
Complete Cable Kit P/N CCKT210-10SE (SS Electric Trim)
Complete Pulley Kit P/N PULL-KT-68*

Qty	P/N	Galv	SS	Location
1	MC1260505-1 or 101			Park Brake
1	MC1260417-1 or 2			Park Brake Cable & Tube

Aileron Cable Kit
P/N CCKT-41G-AIL or CCKT-41S-AIL

1	MC1260078-8 or 108			Aileron Yoke RH
1	MC1260078-7 or 107			Aileron Yoke LH
1	MC1260078-5 or 105			Aileron Yoke Carry Thru
2	MC1260208-1 ²			Aileron/Rudder Int Lower
2	MC1260505-174 ²			Aileron/Rudder Int Upper
1	MC1260505-187 ²			Ail/Rud Int Upper w/Tube
2	MC1260078-9 or 109			Aileron Direct Yoke
2	MC1260505-40 or 140			Aileron Direct Bellcrank
1	MC1260505-38 or 138			Aileron Return LH

Elevator Cable Kit
P/N CCKT-57G-ELE or CCKT-57S-ELE
P/N CCKT-58GE-ELE or CCKT-58SE-ELE (Electric Trim)

1	MC1260505-32 or 132			Elevator Down
1	MC1260505-33 or 133			Elevator Up
1	MCS2295A25-111			Chain Elevator Trim Fwd Up
1	MCS2295P25-159			Chain Elevator Trim Fwd Low
1	MC1260505-22 or 122			Elevator Trim Forward RH ²
1	MC1260505-35 or 135			Elevator Trim Forward LH ²
1	MC1260505-45 or 145			Elevator Trim Aft RH ²
1	MC1260505-46 or 146			Elevator Trim Aft LH
1	MCS2295-25-43			Chain Elev Trim Actuator
1	MC1260505-56 or 156			Elevator Aft RH ²
1	MC1260505-62 or 162			Electric Trim Forward RH ²
1	MC1260505-61 or 161			Electric Trim Forward LH ²
1	MC1260204-1 ²			Electric Trim Cen. LH SS ²
6	MCS2294-25			Chain Connecting Link

Flap Cable Kit
P/N CCKT-20G-FLP or CCKT-20S-FLP

1	MC1260505-73 or 173			Flap Down LH Trnbkl to Act
1	MC1260505-71 or 171			Flap Down RH Trnbkl to Act
2	MC1260505-48 or 148			Flap Up Bellcrk to Trnbkl
2	MC1260505-47 or 147			Flap Down LH/RH Bellcrank to Turnbuckle
1	MC1260505-70 or 170			Flap Up LH Turnbuckle to Act
1	MC1260505-72 or 172			Flap Up RH Turnbuckle to Act

Rudder Cable Kit
P/N CCKT-28G-RUD or CCKT-28S-RUD

1	MC1260505-15 or 115			Rudder Forward LH
1	MC1260505-11 or 111			Rudder Forward RH
1	MC1260505-13 or 113			Rudder Aft LH
1	MC1260505-12 or 112			Rudder Aft RH

210K¹, T210K¹ 1970¹
S/N 21059200 thru 21059323
Complete Cable Kit P/N CCKT210-11G (Galvanized)
Complete Cable Kit P/N CCKT210-11S (Stainless Steel)
Complete Pulley Kit P/N PULL-KT-69*

Qty	P/N	Galv	SS	Location
1	MC1260505-1 or 101			Park Brake
1	MC1260417-1 or 2			Park Brake Cable & Tube

Flight Control System

Flight Control Cables - Cessna



Continued from previous page		
Qty	P/N	Galv SS Location
1	MC1260660-32	Elevator Trim Electric Drive
1	MCS2295P25-55	Chain Elevator Trim Actuator
6	MCS2294-25	Chain Connecting Link
Flap Cable Kit		
P/N CKKT-20G-FLP or CKKT-20S-FLP		
1	MC1260505-73 or 173	Flap Down LH Trnbkl to Act
1	MC1260505-71 or 171	Flap Down RH Trnbkl to Act
2	MC1260505-48 or 148	Flap Up Bellcrk to Trnbkl
2	MC1260505-47 or 147	Flap Down Bellcrk to Trnbkl
1	MC1260505-70 or 170	Flap Up LH Turnbuckle to Act
1	MC1260505-72 or 172	Flap Up RH Turnbuckle to Act
Rudder Cable Kit		
P/N CKKT-29G-RUD or CKKT-29S-RUD		
1	MC1260475-5 or 105	Rudder Forward LH
1	MC1260475-6 or 106	Rudder Forward RH
1	MC1260505-13 or 113	Rudder Aft LH
1	MC1260505-12 or 112	Rudder Aft RH
210K [L], T210K [L], 1970 [L], 1971 [L]		
S/N 21059324 thru 21059465		
Complete Cable Kit P/N CKKT210-12G (Galvanized)		
Complete Cable Kit P/N CKKT210-12S (Stainless Steel)		
Complete Pulley Kit P/N PULL-KT-69*		
Qty P/N Galv SS Location		
1	MC1260505-1 or 101	Park Brake
1	MC1260417-1 or 2	Park Brake Cable & Tube
Aileron Cable Kit		
P/N CKKT-41G-AIL or CKKT-41S-AIL		
1	MC1260078-8 or 108	Aileron Yoke RH
1	MC1260078-7 or 107	Aileron Yoke LH
1	MC1260078-5 or 105	Aileron Yoke Carry Thru
2	MC1260208-12	Aileron/Rudder Int Lower
1	MC1260505-1742	Aileron/Rudder Int Upper
1	MC1260505-1872	Ail/Rud Int Upper w/Tube
2	MC1260078-9 or 109	Aileron Direct Yoke
2	MC1260505-40 or 140	Aileron Direct Bellcrank
1	MC1260505-38 or 138	Aileron Return LH
1	MC1260505-39 or 139	Aileron Return RH
Elevator Cable Kit		
P/N CKKT-60G-ELE or CKKT-60S-ELE		
1	MC1260475-7 or 107	Elevator Up
1	MC1260475-8 or 108	Elevator Down
1	MC1260505-96 or 196	Elevator Down Spring
1	MCS2295A25-111	Chain Elevator Trim Fwd Up
1	MCS2295P25-159	Chain Elevator Trim Fwd Low
1	MC1260475-1 or 101	Elevator Trim Forward LH
1	MC1260475-2 or 102	Elevator Trim Forward RH
1	MC1260475-9 or 109	Elevator Trim Aft LH
1	MC1260475-10 or 110	Elevator Trim Aft RH
1	MC1260660-32	Elevator Trim Elec Drive
1	MCS2295P25-55	Chain Elevator Trim Actuator
6	MCS2294-25	Chain Connecting Link
Flap Cable Kit		
P/N CKKT-20G-FLP or CKKT-20S-FLP		
1	MC1260505-73 or 173	Flap Down LH Trnbkl to Act
1	MC1260505-71 or 171	Flap Down RH Trnbkl to Act
2	MC1260505-48 or 148	Flap Up Bellcrk to Trnbkl
2	MC1260505-47 or 147	Flap Down Bellcrk to Trnbkl
1	MC1260505-70 or 170	Flap Up LH Turnbuckle to Act
1	MC1260505-72 or 172	Flap Up RH Turnbuckle to Act
Rudder Cable Kit		
P/N CKKT-29G-RUD or CKKT-29S-RUD		
1	MC1260475-5 or 105	Rudder Forward LH
1	MC1260475-6 or 106	Rudder Forward RH
1	MC1260505-13 or 113	Rudder Aft LH
1	MC1260505-12 or 112	Rudder Aft RH
210K [L], T210K [L], 1971 [L], 1972 [L]		
S/N 21059466 thru 21059555		
Complete Cable Kit P/N CKKT210-13G (Galvanized)		
Complete Cable Kit P/N CKKT210-13S (Stainless Steel)		
Complete Pulley Kit P/N PULL-KT-69*		
Qty P/N Galv SS Location		
1	MC1260505-97 or 197	Park Brake
1	MC1260417-1 or 2	Park Brake Cable & Tube
Aileron Cable Kit		
P/N CKKT-41G-AIL or CKKT-41S-AIL		
1	MC1260078-8 or 108	Aileron Yoke RH
1	MC1260078-7 or 107	Aileron Yoke LH
1	MC1260078-5 or 105	Aileron Yoke Carry Thru
2	MC1260208-12	Aileron/Rudder Int Lower
1	MC1260505-1742	Aileron/Rudder Int Upper
1	MC1260505-1872	Ail/Rud Int Upper w/Tube
2	MC1260078-9 or 109	Aileron Direct Yoke
2	MC1260505-40 or 140	Aileron Direct Bellcrank
1	MC1260505-38 or 138	Aileron Return LH
1	MC1260505-39 or 139	Aileron Return RH
Elevator Cable Kit		
P/N CKKT-60G-ELE or CKKT-60S-ELE		
1	MC1260475-7 or 107	Elevator Up
1	MC1260475-8 or 108	Elevator Down
1	MC1260505-96 or 196	Elevator Down Spring
1	MCS2295A25-111	Chain Elevator Trim Fwd Up
1	MCS2295P25-159	Chain Elevator Trim Fwd Low
1	MC1260475-1 or 101	Elevator Trim Forward LH

Continued from previous column		
Qty	P/N	Galv SS Location
1	MC1260475-2 or 102	Elevator Trim Forward RH
1	MC1260475-9 or 109	Elevator Trim Aft LH
1	MC1260475-10 or 110	Elevator Trim Aft RH
1	MC1260660-32	Elevator Trim Electric Drive
1	MCS2295P25-55	Chain Elevator Trim Actuator
6	MCS2294-25	Chain Connecting Link
Flap Cable Kit		
P/N CKKT-20G-FLP or CKKT-20S-FLP		
1	MC1260505-73 or 173	Flap Down LH Trnbkl to Act
1	MC1260505-71 or 171	Flap Down RH Trnbkl to Act
2	MC1260505-48 or 148	Flap Up Bellcrk to Trnbkl
2	MC1260505-47 or 147	Flap Down LH/RH Bellcrank to Turnbuckle
1	MC1260505-70 or 170	Flap Up LH Trnbkl to Act
1	MC1260505-72 or 172	Flap Up RH Trnbkl to Act
Rudder Cable Kit		
P/N CKKT-29G-RUD or CKKT-29S-RUD		
1	MC1260475-5 or 105	Rudder Forward LH
1	MC1260475-6 or 106	Rudder Forward RH
1	MC1260505-13 or 113	Rudder Aft LH
1	MC1260505-12 or 112	Rudder Aft RH
210L [L], T210L [L], 1972 [L], 1973 [L]		
S/N 21059556 thru 21060089		
Complete Cable Kit P/N CKKT210-14G (Galvanized)		
Complete Cable Kit P/N CKKT210-14S (Stainless Steel)		
Complete Pulley Kit P/N PULL-KT-69*		
Qty P/N Galv SS Location		
1	MC1260505-97 or 197	Park Brake
1	MC1260417-6 or 7	Park Brake Cable & Tube
Aileron Cable Kit		
P/N CKKT-41G-AIL or CKKT-41S-AIL		
1	MC1260078-8 or 108	Aileron Yoke RH
1	MC1260078-7 or 107	Aileron Yoke LH
1	MC1260078-5 or 105	Aileron Yoke Carry Thru
2	MC1260208-12	Aileron/Rudder Int Lower
1	MC1260505-1742	Aileron/Rudder Int Upper
1	MC1260505-1872	Ail/Rud Int Upper w/Tube
2	MC1260078-9 or 109	Aileron Direct Yoke
2	MC1260505-40 or 140	Aileron Direct Bellcrank
1	MC1260505-38 or 138	Aileron Return LH
1	MC1260505-39 or 139	Aileron Return RH
Elevator Cable Kit		
P/N CKKT-60G-ELE or CKKT-60S-ELE		
1	MC1260475-7 or 107	Elevator Up
1	MC1260475-8 or 108	Elevator Down
1	MC1260505-96 or 196	Elevator Down Spring
1	MCS2295A25-111	Chain Elevator Trim Fwd Up
1	MCS2295P25-159	Chain Elevator Trim Fwd Low
1	MC1260475-1 or 101	Elevator Trim Forward LH
1	MC1260475-2 or 102	Elevator Trim Forward RH
1	MC1260475-9 or 109	Elevator Trim Aft LH
1	MC1260475-10 or 110	Elevator Trim Aft RH
1	MC1260660-32	Elevator Trim Elec Drive
1	MCS2295P25-55	Chain Elevator Trim Actuator
6	MCS2294-25	Chain Connecting Link
Flap Cable Kit		
P/N CKKT-20G-FLP or CKKT-20S-FLP		
1	MC1260505-73 or 173	Flap Down LH Trnbkl to Act
1	MC1260505-71 or 171	Flap Down RH Trnbkl to Act
2	MC1260505-48 or 148	Flap Up Bellcrk to Trnbkl
2	MC1260505-47 or 147	Flap Down LH/RH Bellcrank to Turnbuckle
1	MC1260505-70 or 170	Flap Up LH Turnbuckle to Act
1	MC1260505-72 or 172	Flap Up RH Turnbuckle to Act
Rudder Cable Kit		
P/N CKKT-29G-RUD or CKKT-29S-RUD		
1	MC1260475-5 or 105	Rudder Forward LH
1	MC1260475-6 or 106	Rudder Forward RH
1	MC1260505-13 or 113	Rudder Aft LH
1	MC1260505-12 or 112	Rudder Aft RH
210L [L], T210L [L], 1974-1977 [L]		
S/N 21060090 thru 21062273		
Complete Cable Kit P/N CKKT210-15G (Galvanized)		
Complete Cable Kit P/N CKKT210-15S (Stainless Steel)		
Complete Pulley Kit P/N PULL-KT-71*		
Qty P/N Galv SS Location		
1	MC1260505-97 or 197	Park Brake
1	MC1260417-6 or 7	Park Brake Cable & Tube
Aileron Cable Kit		
P/N CKKT-41G-AIL or CKKT-41S-AIL		
1	MC1260078-8 or 108	Aileron Yoke RH
1	MC1260078-7 or 107	Aileron Yoke LH
1	MC1260078-5 or 105	Aileron Yoke Carry Thru
2	MC1260208-12	Aileron/Rudder Int Lower
1	MC1260505-1742	Aileron/Rudder Int Upper
1	MC1260505-1872	Ail/Rud Int Upper w/Tube
2	MC1260078-9 or 109	Aileron Direct Yoke
2	MC1260505-40 or 140	Aileron Direct Bellcrank
1	MC1260505-38 or 138	Aileron Return LH
1	MC1260505-39 or 139	Aileron Return RH
Elevator Cable Kit		
P/N CKKT-60G-ELE or CKKT-60S-ELE		
1	MC1260475-7 or 107	Elevator Up
1	MC1260475-8 or 108	Elevator Down
1	MC1260505-96 or 196	Elevator Down Spring
1	MCS2295A25-111	Chain Elevator Trim Fwd Up
1	MCS2295P25-159	Chain Elevator Trim Fwd Low
1	MC1260475-1 or 101	Elevator Trim Forward LH

Continued from previous column		
Qty	P/N	Galv SS Location
Elevator Cable Kit		
P/N CKKT-60G-ELE or CKKT-60S-ELE		
1	MC1260475-7 or 107	Elevator Up
1	MC1260475-8 or 108	Elevator Down
1	MC1260505-96 or 196	Elevator Down Spring
1	MCS2295A25-111	Chain Elevator Trim Fwd Up
1	MCS2295P25-159	Chain Elevator Trim Fwd Low
1	MC1260475-1 or 101	Elevator Trim Forward LH
1	MC1260475-2 or 102	Elevator Trim Forward RH
1	MC1260475-9 or 109	Elevator Trim Aft LH
1	MC1260475-10 or 110	Elevator Trim Aft RH
1	MCS2295P25-55	Chain Elevator Trim Actuator
6	MCS2294-25	Chain Connecting Link
Flap Cable Kit		
P/N CKKT-20G-FLP or CKKT-20S-FLP		
1	MC1260505-73 or 173	Flap Down LH Trnbkl to Act
1	MC1260505-71 or 171	Flap Down RH Trnbkl to Act
2	MC1260505-48 or 148	Flap Up Bellcrk to Trnbkl
2	MC1260505-47 or 147	Flap Down LH/RH Bellcrank to Turnbuckle
1	MC1260505-70 or 170	Flap Up LH Turnbuckle to Act
1	MC1260505-72 or 172	Flap Up RH Turnbuckle to Act
Rudder Cable Kit		
P/N CKKT-29G-RUD or CKKT-29S-RUD		
1	MC1260475-5 or 105	Rudder Forward LH
1	MC1260475-6 or 106	Rudder Forward RH
1	MC1260505-13 or 113	Rudder Aft LH
1	MC1260505-12 or 112	Rudder Aft RH
210M [L], N [L], T210 [M], N [L] 1978-1980 [L]		
S/N 21062274 thru 21064084		
Complete Cable Kit P/N CKKT210-16G (Galvanized)		
Complete Cable Kit P/N CKKT210-16S (Stainless Steel)		
Complete Pulley Kit P/N PULL-KT-71*		
Qty P/N Galv SS Location		
1	MC1260505-97 or 197	Park Brake
1	MC1260417-6 or 7	Park Brake Cable & Tube
Aileron Cable Kit		
P/N CKKT-42G-AIL or CKKT-42S-AIL		
1	MC1260078-11 or 111	Aileron Yoke LH
1	MC1260078-12 or 112	Aileron Yoke RH
1	MC1260078-10 or 110	Aileron Yoke Carry Thru
2	MC1260208-12	Aileron/Rudder Int Lower
1	MC1260505-1742	Aileron/Rudder Int Upper
1	MC1260505-1872	Ail/Rud Int Upper w/Tube
2	MC1260078-13 or 113	Aileron Direct Yoke
2	MC1260505-40 or 140	Aileron Direct Bellcrank
1	MC1260505-314 or 414	Aileron Return LH
1	MC1260505-315 or 415	Aileron Return RH
Elevator Cable Kit		
P/N CKKT-61G-ELE or CKKT-61S-ELE		
1	MC1260475-12 or 112	Elevator Up
1	MC1260475-13 or 113	Elevator Down
1	MC1260505-96 or 196	Elevator Down Spring
1	MCS2295A25-111	Chain Elevator Trim Fwd Up
1	MCS2295P25-159	Chain Elevator Trim Fwd Low
1	MC1260475-1 or 101	Elevator Trim Forward LH
1	MC1260475-2 or 102	Elevator Trim Forward RH
1	MC1260475-9 or 109	Elevator Trim Aft LH
1	MC1260475-10 or 110	Elevator Trim Aft RH
1	MCS2295P25-55	Chain Elevator Trim Actuator
6	MCS2294-25	Chain Connecting Link
Flap Cable Kit		
P/N CKKT-20G-FLP or CKKT-20S-FLP		
1	MC1260505-73 or 173	Flap Down LH Trnbkl to Act
1	MC1260505-71 or 171	Flap Down RH Trnbkl to Act
2	MC1260505-48 or 148	Flap Up Bellcrk to Trnbkl
2	MC1260505-47 or 147	Flap Down LH/RH Bellcrank to Turnbuckle
1	MC1260505-70 or 170	Flap Up LH Turnbuckle to Act
1	MC1260505-72 or 172	Flap Up RH Turnbuckle to Act
Rudder Cable Kit		
P/N CKKT-29G-RUD or CKKT-29S-RUD		
1	MC1260475-5 or 105	Rudder Forward LH
1	MC1260475-6 or 106	Rudder Forward RH
1	MC1260505-13 or 113	Rudder Aft LH
1	MC1260505-12 or 112	Rudder Aft RH
210N [L], T210N [L] 1980 [L]		
S/N 21064085 thru 21064135		
Complete Cable Kit P/N CKKT210-17G (Galvanized)		
Complete Cable Kit P/N CKKT210-17S (Stainless Steel)		
Complete Pulley Kit P/N PULL-KT-71*		
Qty P/N Galv SS Location		
1	MC1260505-317 or 417	Park Brake
Aileron Cable Kit		
P/N CKKT-42G-AIL or CKKT-42S-AIL		
1	MC1260078-11 or 111	Aileron Yoke LH
1	MC1260078-12 or 112	Aileron Yoke RH
1	MC1260078-10 or 110	Aileron Yoke Carry Thru
2	MC1260208-12	Aileron/Rudder Int Lower
1	MC1260505-1742	Aileron/Rudder Int Upper

Kit continues in next column

Kit continues in next column

* See pages 191-192 for Pulley Kit Components
 [1] Partial model eligibility
 [2] Included in both galvanized and stainless kits.



Flight Control System

Continued from previous page			
Qty	P/N	Galv SS	Location
1	MC1260505-187	2	Ail/Rud Int Upper w/Tube
2	MC1260078-13 or 113		Aileron Direct Yoke
2	MC1260505-40 or 140		Aileron Direct Bellcrank
1	MC1260505-314 or 414		Aileron Return LH
1	MC1260505-315 or 415		Aileron Return RH
Elevator Cable Kit			
P/N CCKT-61G-ELE or CCKT-61S-ELE			
1	MC1260475-12 or 112		Elevator Up
1	MC1260475-13 or 113		Elevator Down
1	MC1260505-96 or 196		Elevator Down Spring
1	MCS2295A25-111		Chain Elevator Trim Fwd Up
1	MCS2295P25-159		Chain Elevator Trim Fwd Low
1	MC1260475-1 or 101		Elevator Trim Forward LH
1	MC1260475-2 or 102		Elevator Trim Forward RH
1	MC1260475-9 or 109		Elevator Trim Aft LH
1	MC1260475-10 or 110		Elevator Trim Aft RH
1	MCS2295P25-55		Chain Elevator Trim Actuator
6	MCS2294-25		Chain Connecting Link
Flap Cable Kit			
P/N CCKT-20G-FLP or CCKT-20S-FLP			
1	MC1260505-73 or 173		Flap Down LH Trnbkl to Act
1	MC1260505-71 or 171		Flap Down RH Trnbkl to Act
2	MC1260505-48 or 148		Flap Up Bellcrk to Trnbkl
2	MC1260505-47 or 147		Flap Down Bellcrk to Trnbkl
1	MC1260505-70 or 170		Flap Up LH Trnbkl to Act
1	MC1260505-72 or 172		Flap Up RH Trnbkl to Act
Rudder Cable Kit			
P/N CCKT-29G-RUD or CCKT-29S-RUD			
1	MC1260475-5 or 105		Rudder Forward LH
1	MC1260475-6 or 106		Rudder Forward RH
1	MC1260505-13 or 113		Rudder Aft LH
1	MC1260505-12 or 112		Rudder Aft RH
210N, T210N 1981			
S/N 21064136 thru 21064185			
Complete Cable Kit P/N CCKT210-18G (Galvanized)			
Complete Cable Kit P/N CCKT210-18S (Stainless Steel)			
Complete Pulley Kit P/N PULL-KT-77*			
Qty	P/N	Galv SS	Location
1	MC1260417-6 or 7		Park Brake Cable & Tube
1	MC1260505-317 or 417		Park Brake
Aileron Cable Kit			
P/N CCKT-42G-AIL or CCKT-42S-AIL			
1	MC1260078-11 or 111		Aileron Yoke LH
1	MC1260078-12 or 112		Aileron Yoke RH
1	MC1260078-10 or 110		Aileron Yoke Carry Thru
2	MC1260208-12		Aileron/Rudder Int Lower
1	MC1260505-174	2	Aileron/Rudder Int Upper
1	MC1260505-187	2	Ail/Rud Int Upper w/Tube
2	MC1260078-13 or 113		Aileron Direct Yoke
2	MC1260505-40 or 140		Aileron Direct Bellcrank
1	MC1260505-314 or 414		Aileron Return LH
1	MC1260505-315 or 415		Aileron Return RH
Elevator Cable Kit			
P/N CCKT-61G-ELE or CCKT-61S-ELE			
1	MC1260475-12 or 112		Elevator Up
1	MC1260475-13 or 113		Elevator Down
1	MC1260505-96 or 196		Elevator Down Spring
1	MCS2295A25-111		Chain Elevator Trim Fwd Up
1	MCS2295P25-159		Chain Elevator Trim Fwd Low
1	MC1260475-1 or 101		Elevator Trim Forward LH
1	MC1260475-2 or 102		Elevator Trim Forward RH
1	MCS2295P25-55		Chain Elevator Trim Actuator
1	MC1260475-9 or 109		Elevator Trim Aft LH
1	MC1260475-10 or 110		Elevator Trim Aft RH
6	MCS2294-25		Chain Connecting Link
Flap Cable Kit			
P/N CCKT-20G-FLP or CCKT-20S-FLP			
1	MC1260505-73 or 173		Flap Down LH Trnbkl to Act
1	MC1260505-71 or 171		Flap Down RH Trnbkl to Act
2	MC1260505-48 or 148		Flap Up Bellcrk to Trnbkl
2	MC1260505-47 or 147		Flap Down LH/RH
1	MC1260505-70 or 170		Flap Up LH Trnbkl to Act
1	MC1260505-72 or 172		Flap Up RH Trnbkl to Act
Rudder Cable Kit			
P/N CCKT-29G-RUD or CCKT-29S-RUD			
1	MC1260475-5 or 105		Rudder Forward LH
1	MC1260475-6 or 106		Rudder Forward RH
1	MC1260505-13 or 113		Rudder Aft LH
1	MC1260505-12 or 112		Rudder Aft RH
210N, T210N 1981-1982			
S/N 21064186 thru 21064772			
Complete Cable Kit P/N CCKT210-19G (Galvanized)			
Complete Cable Kit P/N CCKT210-19S (Stainless Steel)			
Complete Pulley Kit P/N PULL-KT-77*			
Qty	P/N	Galv SS	Location
1	MC1260417-6 or 7		Park Brake Cable & Tube
1	MC1260505-317 or 417		Park Brake
Aileron Cable Kit			
P/N CCKT-42G-AIL or CCKT-42S-AIL			
1	MC1260078-11 or 111		Aileron Yoke LH
1	MC1260078-12 or 112		Aileron Yoke RH
1	MC1260078-10 or 110		Aileron Yoke Carry Thru

Continued from previous column			
Qty	P/N	Galv SS	Location
2	MC1260208-12		Aileron/Rudder Int Lower
1	MC1260505-174	2	Aileron/Rudder Int Upper
1	MC1260505-187	2	Ail/Rud Int Upper w/Tube
2	MC1260078-13 or 113		Aileron Direct Yoke
2	MC1260505-40 or 140		Aileron Direct Bellcrank
1	MC1260505-314 or 414		Aileron Return LH
1	MC1260505-315 or 415		Aileron Return RH
Elevator Cable Kit			
P/N CCKT-61G-ELE or CCKT-61S-ELE			
1	MC1260475-12 or 112		Elevator Up
1	MC1260475-13 or 113		Elevator Down
1	MC1260505-96 or 196		Elevator Down Spring
1	MCS2295A25-111		Chain Elevator Trim Fwd Up
1	MCS2295P25-159		Chain Elevator Trim Fwd Low
1	MC1260475-1 or 101		Elevator Trim Forward LH
1	MC1260475-2 or 102		Elevator Trim Forward RH
1	MCS2295P25-55		Chain Elevator Trim Actuator
1	MC1260475-9 or 109		Elevator Trim Aft LH
1	MC1260475-10 or 110		Elevator Trim Aft RH
6	MCS2294-25		Chain Connecting Link
Flap Cable Kit			
P/N CCKT-20G-FLP or CCKT-20S-FLP			
1	MC1260505-73 or 173		Flap Down LH Trnbkl to Act
1	MC1260505-71 or 171		Flap Down RH Trnbkl to Act
2	MC1260505-48 or 148		Flap Up Bellcrk to Trnbkl
2	MC1260505-47 or 147		Flap Down LH/RH
1	MC1260505-70 or 170		Flap Up LH Trnbkl to Act
1	MC1260505-72 or 172		Flap Up RH Trnbkl to Act
Rudder Cable Kit			
P/N CCKT-30G-RUD or CCKT-30S-RUD			
1	MC1260475-5 or 105		Rudder Forward LH
1	MC1260475-6 or 106		Rudder Forward RH
1	MC1260505-13 or 113		Rudder Aft LH
1	MC1260505-12 or 112		Rudder Aft RH
210N, T210N 1983-1984			
S/N 21064773 thru 21064897			
Complete Cable Kit P/N CCKT210-20G (Galvanized)			
Complete Cable Kit P/N CCKT210-20S (Stainless Steel)			
Complete Pulley Kit P/N PULL-KT-77*			
Qty	P/N	Galv SS	Location
1	MC1260417-6 or 7		Park Brake Cable & Tube
1	MC1260505-317 or 417		Park Brake
Aileron Cable Kit			
P/N CCKT-43G-AIL or CCKT-43S-AIL			
1	MC1260078-11 or 111		Aileron Yoke LH
1	MC1260078-12 or 112		Aileron Yoke RH
1	MC1260078-10 or 110		Aileron Yoke Carry Thru
2	MC1260208-12		Aileron/Rudder Int Lower
1	MC1260505-174	2	Aileron/Rudder Int Upper
1	MC1260505-187	2	Ail/Rud Int Upper w/Tube
2	MC1260078-13 or 113		Aileron Direct Yoke
2	MC1260505-40 or 140		Aileron Direct Bellcrank
1	MC1260505-314 or 414		Aileron Return LH
1	MC1260505-315 or 415		Aileron Return RH
Elevator Cable Kit			
P/N CCKT-61G-ELE or CCKT-61S-ELE			
1	MC1260475-12 or 112		Elevator Up
1	MC1260475-13 or 113		Elevator Down
1	MC1260505-96 or 196		Elevator Down Spring
1	MCS2295A25-111		Chain Elevator Trim Fwd Up
1	MCS2295P25-159		Chain Elevator Trim Fwd Low
1	MC1260475-1 or 101		Elevator Trim Forward LH
1	MC1260475-2 or 102		Elevator Trim Forward RH
1	MCS2295P25-55		Chain Elevator Trim Actuator
1	MC1260475-9 or 109		Elevator Trim Aft LH
1	MC1260475-10 or 110		Elevator Trim Aft RH
6	MCS2294-25		Chain Connecting Link
Flap Cable Kit			
P/N CCKT-20G-FLP or CCKT-20S-FLP			
1	MC1260505-73 or 173		Flap Down LH Trnbkl to Act
1	MC1260505-71 or 171		Flap Down RH Trnbkl to Act
2	MC1260505-48 or 148		Flap Up Bellcrk to Trnbkl
2	MC1260505-47 or 147		Flap Down LH/RH
1	MC1260505-70 or 170		Flap Up LH Trnbkl to Act
1	MC1260505-72 or 172		Flap Up RH Trnbkl to Act
Rudder Cable Kit			
P/N CCKT-30G-RUD or CCKT-30S-RUD			
1	MC1260475-5 or 105		Rudder Forward LH
1	MC1260475-6 or 106		Rudder Forward RH
1	MC1260505-13 or 113		Rudder Aft LH
1	MC1260505-12 or 112		Rudder Aft RH
210R, T210R 1985-1986			
S/N 21064898 thru 2165009			
Complete Cable Kit P/N CCKT210-21G (Galvanized)			
Complete Cable Kit P/N CCKT210-21S (Stainless Steel)			
Complete Pulley Kit P/N PULL-KT-78*			
Qty	P/N	Galv SS	Location
1	MC1260417-6 or 7		Park Brake Cable & Tube
1	MC1260505-317 or 417		Park Brake

Continued from previous column			
Qty	P/N	Galv SS	Location
Aileron Cable Kit			
P/N CCKT-44G-AIL or CCKT-44S-AIL			
1	MC1260078-11 or 111		Aileron Yoke LH
1	MC1260078-12 or 112		Aileron Yoke RH
1	MC1260078-10 or 110		Aileron Yoke Carry Thru
2	MC1260078-13 or 113		Aileron Direct Yoke
2	MC1260505-40 or 140		Aileron Direct Bellcrank
1	MC1260505-314 or 414		Aileron Return LH
1	MC1260505-315 or 415		Aileron Return RH
Elevator Cable Kit			
P/N CCKT-62G-ELE or CCKT-62S-ELE			
1	MC1260475-12 or 112		Elevator Up
1	MC1260475-13 or 113		Elevator Down
1	MCS2295A25-111		Chain Elevator Trim Fwd Up
1	MCS2295P25-159		Chain Elevator Trim Fwd Low
1	MC1260475-1 or 101		Elevator Trim Forward LH
1	MC1260475-2 or 102		Elevator Trim Forward RH
1	MCS2295P25-55		Chain Elevator Trim Actuator
1	MC1260505-325 or 425		Elevator Trim Aft LH
1	MC1260505-326 or 426		Elevator Trim Aft RH
6	MCS2294-25		Chain Connecting Link
Flap Cable Kit			
P/N CCKT-20G-FLP or CCKT-20S-FLP			
1	MC1260505-73 or 173		Flap Down LH Trnbkl to Act
1	MC1260505-71 or 171		Flap Down RH Trnbkl to Act
2	MC1260505-48 or 148		Flap Up Bellcrk to Trnbkl
2	MC1260505-47 or 147		Flap Down LH/RH
1	MC1260505-70 or 170		Flap Up LH Turnbuckle to Act
1	MC1260505-72 or 172		Flap Up RH Turnbuckle to Act
Rudder Cable Kit			
P/N CCKT-31G-RUD or CCKT-31S-RUD			
1	MC1260475-5 or 105		Rudder Forward LH
1	MC1260475-6 or 106		Rudder Forward RH
1	MC1260505-13 or 113		Rudder Aft LH
1	MC1260505-329 or 429		Rudder Aft LH
1	MC1260505-330 or 430		Rudder Aft RH
P210N 1978-1980			
S/N P2100001 thru P21000553			
Complete Cable Kit P/N CCKT210-01G (Galvanized)			
Complete Cable Kit P/N CCKT210-01S (Stainless Steel)			
Complete Pulley Kit P/N PULL-KT-81*			
Qty	P/N	Galv SS	Location
1	MC1260505-97 or 197		Park Brake
Aileron Cable Kit			
P/N CCKT-42G-AIL or CCKT-42S-AIL			
1	MC1260078-11 or 111		Aileron Yoke LH
1	MC1260078-12 or 112		Aileron Yoke RH
1	MC1260078-10 or 110		Aileron Yoke Carry Thru
2	MC1260208-12		Aileron/Rudder Int Lower
1	MC1260505-174	2	Aileron/Rudder Int Upper
1	MC1260505-187	2	Ail/Rud Int Upper w/Tube
2	MC1260078-13 or 113		Aileron Direct Yoke
2	MC1260505-40 or 140		Aileron Direct Bellcrank
1	MC1260505-314 or 414		Aileron Return LH
1	MC1260505-315 or 415		Aileron Return RH
Elevator Cable Kit			
P/N CCKT-61G-ELE or CCKT-61S-ELE			
1	MC1260475-12 or 112		Elevator Up
1	MC1260475-13 or 113		Elevator Down
1	MC1260505-96 or 196		Elevator Down Spring
1	MCS2295A25-111		Chain Elevator Trim Fwd Up
1	MCS2295P25-159		Chain Elevator Trim Fwd Low
1	MC1260475-1 or 101		Elevator Trim Forward LH
1	MC1260475-2 or 102		Elevator Trim Forward RH
1	MCS2295P25-55		Chain Elevator Trim Actuator
1	MC1260475-9 or 109		Elevator Trim Aft LH
1	MC1260475-10 or 110		Elevator Trim Aft RH
6	MCS2294-25		Chain Connecting Link
Flap Cable Kit			
P/N CCKT-20G-FLP or CCKT-20S-FLP			
1	MC1260505-73 or 173		Flap Down LH Trnbkl to Act
1	MC1260505-71 or 171		Flap Down RH Trnbkl to Act
2	MC1260505-48 or 148		Flap Up Bellcrk to Trnbkl
2	MC1260505-47 or 147		Flap Down LH/RH
1	MC1260505-70 or 170		Flap Up LH Turnbuckle to Act
1	MC1260505-72 or 172		Flap Up RH Turnbuckle to Act
Rudder Cable Kit			
P/N CCKT-29G-RUD or CCKT-29S-RUD			
1	MC1260475-5 or 105		Rudder Forward LH
1	MC1260475-6 or 106		Rudder Forward RH
1	MC1260505-13 or 113		Rudder Aft LH
1	MC1260505-12 or 112		Rudder Aft RH

* See pages 191-192 for Pulley Kit Components
 1 Partial model eligibility
 2 Included in both galvanized and stainless kits.

Flight Control System

Flight Control Cables - Cessna

P210N 1980-1-1981
S/N P21000554 thru P21000622
Complete Cable Kit P/N CCKTP210-02G (Galvanized)
Complete Cable Kit P/N CCKTP210-02S (Stainless Steel)
Complete Pulley Kit P/N PULL-KT-81*

Qty	P/N	Galv	SS	Location
1	MC1260505-317	or 417		Park Brake

Aileron Cable Kit
P/N CCKT-42G-AIL or CCKT-42S-AIL

1	MC1260078-11	or 111		Aileron Yoke LH
1	MC1260078-12	or 112		Aileron Yoke RH
1	MC1260078-10	or 110		Aileron Yoke Carry Thru
2	MC1260208-12			Aileron/Rudder Int Lower
1	MC1260505-174			Aileron/Rudder Int Upper
1	MC1260505-187			Ail/Rud Int Upper w/Tube
2	MC1260078-13	or 113		Aileron Direct Yoke
2	MC1260505-40	or 140		Aileron Direct Bellcrank
1	MC1260505-314	or 414		Aileron Return LH
1	MC1260505-315	or 415		Aileron Return RH

Elevator Cable Kit
P/N CCKT-61G-ELE or CCKT-61S-ELE

1	MC1260475-12	or 112		Elevator Up
1	MC1260475-13	or 113		Elevator Down
1	MC1260505-96	or 196		Elevator Down Spring
1	MCS2295A25-111			Chain Elevator Trim Fwd Up
1	MCS2295P25-159			Chain Elevator Trim Fwd Low
1	MC1260475-1	or 101		Elevator Trim Forward LH
1	MC1260475-2	or 102		Elevator Trim Forward RH
1	MCS2295P25-55			Chain Elevator Trim Actuator
1	MC1260475-9	or 109		Elevator Trim Aft LH
1	MC1260475-10	or 110		Elevator Trim Aft RH
6	MCS2294-25			Chain Connecting Link

Flap Cable Kit
P/N CCKT-20G-FLP or CCKT-20S-FLP

1	MC1260505-73	or 173		Flap Down LH Trnbkl to Act
1	MC1260505-71	or 171		Flap Down RH Trnbkl to Act
2	MC1260505-48	or 148		Flap Up Bellcrank to Trnbkl
2	MC1260505-47	or 147		Flap Down LH/RH Bellcrank to Turnbuckle
1	MC1260505-70	or 170		Flap Up LH Turnbuckle to Act
1	MC1260505-72	or 172		Flap Up RH Turnbuckle to Act

Rudder Cable Kit
P/N CCKT-29G-RUD or CCKT-29S-RUD

1	MC1260475-5	or 105		Rudder Forward LH
1	MC1260475-6	or 106		Rudder Forward RH
1	MC1260505-13	or 113		Rudder Aft LH
1	MC1260505-12	or 112		Rudder Aft RH

P210N 1981-1-1982
S/N P21000623 thru P21000797
Complete Cable Kit P/N CCKTP210-03G (Galvanized)
Complete Cable Kit P/N CCKTP210-03S (Stainless Steel)
Complete Pulley Kit P/N PULL-KT-81*

Qty	P/N	Galv	SS	Location
1	MC1260505-317	or 417		Park Brake

Aileron Cable Kit
P/N CCKT-43G-AIL or CCKT-43S-AIL

1	MC1260078-11	or 111		Aileron Yoke LH
1	MC1260078-12	or 112		Aileron Yoke RH
1	MC1260078-10	or 110		Aileron Yoke Carry Thru
2	MC1260208-12			Aileron/Rudder Int Lower
1	MC1260505-174			Aileron/Rudder Int Upper
1	MC1260505-187			Ail/Rud Int Upper w/Tube
2	MC1260078-13	or 113		Aileron Direct Yoke
2	MC1260505-40	or 140		Aileron Direct Bellcrank
1	MC1260505-314	or 414		Aileron Return LH
1	MC1260505-315	or 415		Aileron Return RH

Elevator Cable Kit
P/N CCKT-61G-ELE or CCKT-61S-ELE

1	MC1260475-12	or 112		Elevator Up
1	MC1260475-13	or 113		Elevator Down
1	MC1260505-96	or 196		Elevator Down Spring
1	MCS2295A25-111			Chain Elevator Trim Fwd Up
1	MCS2295P25-159			Chain Elevator Trim Fwd Low
1	MC1260475-1	or 101		Elevator Trim Forward LH
1	MC1260475-2	or 102		Elevator Trim Forward RH
1	MCS2295P25-55			Chain Elevator Trim Actuator
1	MC1260475-9	or 109		Elevator Trim Aft LH
1	MC1260475-10	or 110		Elevator Trim Aft RH
6	MCS2294-25			Chain Connecting Link

Flap Cable Kit
P/N CCKT-20G-FLP or CCKT-20S-FLP

1	MC1260505-73	or 173		Flap Down LH Trnbkl to Act
1	MC1260505-71	or 171		Flap Down RH Trnbkl to Act
2	MC1260505-48	or 148		Flap Up Bellcrank to Trnbkl
2	MC1260505-47	or 147		Flap Down LH/RH Bellcrank to Turnbuckle
1	MC1260505-70	or 170		Flap Up LH Turnbuckle to Act
1	MC1260505-72	or 172		Flap Up RH Turnbuckle to Act

Rudder Cable Kit
P/N CCKT-30G-RUD or CCKT-30S-RUD

1	MC1260475-5	or 105		Rudder Forward LH
1	MC1260475-6	or 106		Rudder Forward RH
1	MC1260505-13	or 113		Rudder Aft LH
1	MC1260505-12	or 112		Rudder Aft RH

Continued from previous column

P210N 1982-1-1986
S/N P21000798 thru P21000834
Complete Cable Kit P/N CCKTP210-04G (Galvanized)
Complete Cable Kit P/N CCKTP210-04S (Stainless Steel)
Complete Pulley Kit P/N PULL-KT-81*

Qty	P/N	Galv	SS	Location
1	MC1260505-317	or 417		Park Brake

Aileron Cable Kit
P/N CCKT-43G-AIL or CCKT-43S-AIL

1	MC1260078-11	or 111		Aileron Yoke LH
1	MC1260078-12	or 112		Aileron Yoke RH
1	MC1260078-10	or 110		Aileron Yoke Carry Thru
2	MC1260208-12			Aileron/Rudder Int Lower
1	MC1260505-174			Aileron/Rudder Int Upper
1	MC1260505-187			Ail/Rud Int Upper w/Tube
2	MC1260078-14	or 114		Aileron Direct Yoke
2	MC1260505-321	or 421		Aileron Direct Bellcrank
1	MC1260505-314	or 414		Aileron Return LH
1	MC1260505-315	or 415		Aileron Return RH

Elevator Cable Kit
P/N CCKT-61G-ELE or CCKT-61S-ELE

1	MC1260475-12	or 112		Elevator Up
1	MC1260475-13	or 113		Elevator Down
1	MC1260505-96	or 196		Elevator Down Spring
1	MCS2295A25-111			Chain Elevator Trim Fwd Up
1	MCS2295P25-159			Chain Elevator Trim Fwd Low
1	MC1260475-1	or 101		Elevator Trim Forward LH
1	MC1260475-2	or 102		Elevator Trim Forward RH
1	MCS2295P25-55			Chain Elevator Trim Actuator
1	MC1260475-9	or 109		Elevator Trim Aft LH
1	MC1260475-10	or 110		Elevator Trim Aft RH
6	MCS2294-25			Chain Connecting Link

Flap Cable Kit
P/N CCKT-20G-FLP or CCKT-20S-FLP

1	MC1260505-73	or 173		Flap Down LH Trnbkl to Act
1	MC1260505-71	or 171		Flap Down RH Trnbkl to Act
2	MC1260505-48	or 148		Flap Up Bellcrank to Trnbkl
2	MC1260505-47	or 147		Flap Down LH/RH Bellcrank to Turnbuckle
1	MC1260505-70	or 170		Flap Up LH Turnbuckle to Act
1	MC1260505-72	or 172		Flap Up RH Turnbuckle to Act

Rudder Cable Kit
P/N CCKT-30G-RUD or CCKT-30S-RUD

1	MC1260475-5	or 105		Rudder Forward LH
1	MC1260475-6	or 106		Rudder Forward RH
1	MC1260505-13	or 113		Rudder Aft LH
1	MC1260505-12	or 112		Rudder Aft RH

P210R 1985-1986
S/N P21000835 thru P21000874
Complete Cable Kit P/N CCKTP210-05G (Galvanized)
Complete Cable Kit P/N CCKTP210-05S (Stainless Steel)
Complete Pulley Kit P/N PULL-KT-82*

Qty	P/N	Galv	SS	Location
1	MC1260505-317	or 417		Park Brake

Aileron Cable Kit
P/N CCKT-44G-AIL or CCKT-44S-AIL

1	MC1260078-11	or 111		Aileron Yoke LH
1	MC1260078-12	or 112		Aileron Yoke RH
1	MC1260078-10	or 110		Aileron Yoke Carry Thru
2	MC1260208-12			Aileron/Rudder Int Lower
1	MC1260505-174			Aileron/Rudder Int Upper
1	MC1260505-187			Ail/Rud Int Upper w/Tube
2	MC1260078-14	or 114		Aileron Direct Yoke
2	MC1260505-321	or 421		Aileron Direct Bellcrank
1	MC1260505-323	or 423		Aileron Return LH
1	MC1260505-322	or 422		Aileron Return RH

Elevator Cable Kit
P/N CCKT-61G-ELE or CCKT-61S-ELE

1	MC1260475-12	or 112		Elevator Up
1	MC1260475-13	or 113		Elevator Down
1	MCS2295A25-111			Chain Elevator Trim Fwd Up
1	MCS2295P25-159			Chain Elevator Trim Fwd Low
1	MC1260475-1	or 101		Elevator Trim Forward LH
1	MC1260475-2	or 102		Elevator Trim Forward RH
1	MCS2295P25-59			Chain Elevator Trim Actuator
1	MC1260505-325	or 425		Elevator Trim Aft LH
1	MC1260505-326	or 426		Elevator Trim Aft RH
6	MCS2294-25			Chain Connecting Link

Flap Cable Kit
P/N CCKT-20G-FLP or CCKT-20S-FLP

1	MC1260505-73	or 173		Flap Down LH Trnbkl to Act
2	MC1260505-48	or 148		Flap Up Bellcrank to Trnbkl
2	MC1260505-47	or 147		Flap Down LH/RH Bellcrank to Turnbuckle
1	MC1260505-71	or 171		Flap Down RH Trnbkl to Act
1	MC1260505-70	or 170		Flap Up LH Turnbuckle to Act
1	MC1260505-72	or 172		Flap Up RH Turnbuckle to Act

Continued from previous column

Rudder Cable Kit
P/N CCKT-31G-RUD or CCKT-31S-RUD

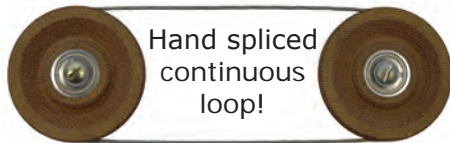
1	MC1260475-5	or 105		Rudder Forward LH
1	MC1260475-6	or 106		Rudder Forward RH
1	MC1260505-329	or 429		Rudder Aft LH
1	MC1260505-330	or 430		Rudder Aft RH

* See pages 191-192 for Pulley Kit Components
1 Included in both galvanized and stainless kits.



Stabilator Adjust Cables for Piper Aircraft

- Time tested 'long splice' method for strength and reliability
- Available in galvanized or stainless
- Custom lengths available for your antique projects



Hand spliced continuous loop!

P/N MC42911
Self lubricating Fairlead



Model	S/N	P/N	Cable Comp.
J-3, PA-11	All	MC41671-2	Galvanized
PA-12	All	MC41671-5	Galvanized
PA-12	All	MC41671-6	Stainless
J-3, PA-11	All	MC41671-8	Stainless
PA-14	All	MC41671-9	Galvanized
PA-16, PA-20	All	MC41671-11	Galvanized
PA-14	All	MC41671-12	Galvanized
PA-18, PA-18A	1 thru 548	MC41671-13	Galvanized
PA-16	All	MC41671-14	Stainless
PA-18, PA-18A	All with Floats	MC41671-15	Stainless
PA-20, PA-22	All	MC41671-16	Galvanized
PA-18, PA-18A	549 and On	MC41671-17	Galvanized
PA-22	354 and On	MC41671-18	Stainless
PA-18, PA-18A	All with Floats	MC41671-19	Stainless



Cables for AG-CAT Aircraft

Aileron Cables			
Model	Location	Part Number	Per A/C
G-164	Upper Sector	MCA1860-101	2
G-164	Lower Sector	MCA1860-101	2
G164A	Upper Sector	MCA1860-401	2
G164A	Lower Sector	MCA1860-101	2
G164B	Upper Sector	MCA2860-7	2
G164B	Lower Sector	MCA2860-5	2
Rudder Cables			
G164, G164A	Left Hand	MCA1860-35	1
G164, G164A	Right Hand	MCA1860-36	1
G164B	Left & Right	MCA3860-3	2



Subassemblies consisting of a long and short cable are available. Call for details.

Flight Control System Flight Control Cables - Cessna

How to Determine Flight Cable Composition

Using a magnet to determine if a cable is galvanized steel or stainless steel alloy can be unreliable as stainless steel can display magnetic properties which can make alloy discrimination difficult. The unreliability comes from variation in the amount of magnetic permeability found in the stainless steel cable and from strength differences in the magnets used. Stainless steel cables become magnetic in the process of cold working stainless steel wires into cable. The amount of magnetic permeability varies with the amount of cold working the cable was subject to. It is also possible cables in-service will become more magnetic over time as they work-harden through use.



A better test is to use an ohm meter to measure the resistance in a length of cable. Stainless steel has more electrical resistance than zinc or tin coated high carbon steel, which allows us to identify cable composition by the amount of resistance in a length of cable. This test is applicable to the most common aircraft cable diameters: 1/16 through 5/32 with 7x7 or 7x19 construction. To ensure accuracy in cable resistance measurements, use the following procedure:

- You will need access to at least 3 feet of cable
- The ohm meter and leads must be in good condition
- Electrical isolation of the cable from the aircraft is required for an accurate resistance measurement. The cable should be removed from the aircraft or at least one end of the cable disconnected from the aircraft. Ensure the cable is not touching anything conductive between the freed end and the area of the measurement
- For non-auto ranging multimeters, set the resistance range to the lowest scale (typically 1x) and zero the meter
- Measure the resistance of the cable across a span of at least 3 feet. Assume that the cable is clean and you are getting good contact between the cable and the ohm meter leads
- Do not allow your fingers to touch the metallic probes of the ohm meter leads when measuring
- Galvanized cable and tin coated cable will register less than 1 ohm resistance while stainless steel will indicate more than 1 ohm
- If possible, check your meter on a length of cable where the alloy is known

If the cable is to be returned to service, reinstall and rig the cable as per the aircraft manufacturer's service manual. Install all required safety devices.

Adjustable Elevator Neutral Rigging Tool for Cessna Aircraft

Save time, you'll always have the correct tool!

P/N TOOL126

Proper elevator rigging is necessary for full range of motion and maneuverability of the airplane. Many Cessna maintenance manuals require the fabrication of a tool to hold the yoke in the neutral position while the mechanic rigs the elevator control system. These tools utilize the holes for the control gust lock. At least 17 different sizes of rigging tools are required to cover the various Cessna aircraft. Now there is one tool to replace them all.

The McFarlane Elevator Neutral Rigging Tool is adjustable from 0.4" to 2.5" and universal in design, consisting of six different pin sizes to fit your application. This tool may also be used to properly rig other makes of aircraft with similar elevator neutral rigging requirements.

Features and Benefits

- Replaces 17 costly tools
- Quick setup and adjustment
- Simple to use instructions
- Includes compact storage box
- Replacement parts available separately
- Stainless steel components



Note:

Refer to your Cessna maintenance manual to determine if your model requires the use of the elevator neutral rigging tool and follow its guidelines for proper pin selection and adjustment guidelines.



**Fits most Cessna
150 thru 425
aircraft!**

Elevator Neutral Rigging Tool Replacement Parts	
Part Number	Description
6409	.050"/1.3mm Hex Wrench
6870	Square Nut
6868-4	Pin, .188, Short
6868-3	Pin, .188, Long
6868-1	Pin, .209, Short
6868-2	Pin, .209, Long
6869-1	Pin, .250, Short
6869-2	Pin, .250, Long



Flight Control System Flight Control Cables - Piper



PA28-140		
S/N 28-20002 thru 28-20656		
Complete Kit P/N PKCT140-01		
Qty	Part Number	Location
1	MC62701-014	Flap
1	MC62701-016	Stabilator Trim Indicator Aft
1	MC62701-032	Stabilator Trim
Aileron Cable Kit P/N PKCT-01-AIL		
2	MC62701-002	Aileron Forward LH and RH
2	MC62701-003	Aileron Wing LH and RH
1	MC62701-004	Aileron Balance LH
1	MC62701-005	Aileron Balance RH
Rudder Cable Kit P/N PKCT-01-RUD		
2	MC62701-006	Rudder Forward LH and RH
2	MC62701-008	Rudder Aft LH and RH
Stabilator Cable Kit P/N PKCT-STAB-01 1		
1	MC62701-010 1	Stabilator Forward LH
1	MC62701-011 1	Stabilator Forward RH
1	MC62701-012 1	Stabilator Aft Bottom
1	MC62701-013 1	Stabilator Aft Top
PA28-140		
S/N 28-20002 thru 28-20656		
with Kit #756-896 or Kit #756-930 Installed, 28-20657 thru 28-26956, 28-7125001 thru 28-7225612		
with Kit #756-896 or Kit #756-930 Installed		
Complete Kit P/N PKCT140-02 (Manual Trim)		
Complete Kit P/N PKCT140-05 (Electric Trim)		
Qty	Part Number	Location
1	MC62701-014	Flap
1	MC62701-016	Stabilator Trim Indicator Aft
1	MC62701-047	Stabilator Trim Aft
1	MC62701-045 2	Stabilator Trim Forward (Manual)
1	MC62701-044 2	Stabilator Trim Forward (Electric)
Aileron Cable Kit P/N PKCT-01-AIL		
2	MC62701-002	Aileron Forward LH and RH
2	MC62701-003	Aileron Wing LH and RH
1	MC62701-004	Aileron Balance LH
1	MC62701-005	Aileron Balance RH
Rudder Cable Kit P/N PKCT-01-RUD		
2	MC62701-006	Rudder Forward LH and RH
2	MC62701-008	Rudder Aft LH and RH
Stabilator Cable Kit P/N PKCT-STAB-01 1		
1	MC62701-010 1	Stabilator Forward LH
1	MC62701-011 1	Stabilator Forward RH
1	MC62701-012 1	Stabilator Aft Bottom
1	MC62701-013 1	Stabilator Aft Top
PA28-140		
S/N 28-7325001 thru 28-7625234, 28-7725001 thru 28-7725290		
Complete Kit P/N PKCT140-03 (Manual Trim)		
Complete Kit P/N PKCT140-04 (Electric Trim)		
Qty	Part Number	Location
1	MC62701-014	Flap
1	MC62701-047	Stabilator Trim Aft
1	MC62701-016	Stabilator Trim Indicator Aft
2	MC62701-056 2	Stab Trim Fwd LH and RH (Manual)
1	MC62701-057 2	Stab Trim Fwd LH (Electric)
Aileron Cable Kit P/N PKCT-01-AIL		
2	MC62701-002	Aileron Forward LH and RH
2	MC62701-003	Aileron Wing LH and RH
1	MC62701-004	Aileron Balance LH
1	MC62701-005	Aileron Balance RH
Rudder Cable Kit P/N PKCT-01-RUD		
2	MC62701-006	Rudder Forward LH and RH
2	MC62701-008	Rudder Aft LH and RH
Stabilator Cable Kit P/N PKCT-STAB-01 1		
1	MC62701-010 1	Stabilator Forward LH
1	MC62701-011 1	Stabilator Forward RH
1	MC62701-012 1	Stabilator Aft Bottom
1	MC62701-013 1	Stabilator Aft Top
PA28-150		
S/N 28-1 thru 28-1410		
Complete Kit P/N PKCT150-01		
Qty	Part Number	Location
1	MC62701-014	Flap
1	MC62701-016	Stabilator Trim Indicator Aft
1	MC62701-015	Stabilator Trim Forward
Aileron Cable Kit P/N PKCT-01-AIL		
2	MC62701-002	Aileron Forward LH and RH
2	MC62701-003	Aileron Wing LH and RH
1	MC62701-004	Aileron Balance LH
1	MC62701-005	Aileron Balance RH
Rudder Cable Kit P/N PKCT-01-RUD		
2	MC62701-006	Rudder Forward LH and RH
2	MC62701-008	Rudder Aft LH and RH
Stabilator Cable Kit P/N PKCT-STAB-01 1		
1	MC62701-010 1	Stabilator Forward LH
1	MC62701-011 1	Stabilator Forward RH
1	MC62701-012 1	Stabilator Aft Bottom
1	MC62701-013 1	Stabilator Aft Top

PA28-150		
S/N 28-1 thru 28-2171		
With Kit # 756-896 or Kit #756-930 Installed		
Complete Kit P/N PKCT150-02		
Qty	Part Number	Location
1	MC62701-014	Flap
1	MC62701-016	Stabilator Trim Indicator Aft
1	MC62701-045	Stabilator Trim Forward
1	MC62701-047	Stabilator Trim Aft
Aileron Cable Kit P/N PKCT-01-AIL		
2	MC62701-002	Aileron Forward LH and RH
2	MC62701-003	Aileron Wing LH and RH
1	MC62701-004	Aileron Balance LH
1	MC62701-005	Aileron Balance RH
Rudder Cable Kit P/N PKCT-01-RUD		
2	MC62701-006	Rudder Forward LH and RH
2	MC62701-008	Rudder Aft LH and RH
Stabilator Cable Kit P/N PKCT-STAB-01 1		
1	MC62701-010 1	Stabilator Forward LH
1	MC62701-011 1	Stabilator Forward RH
1	MC62701-012 1	Stabilator Aft Bottom
1	MC62701-013 1	Stabilator Aft Top
PA28-150		
S/N 28-1411 thru 28-2171		
Complete Kit P/N PKCT150-03		
Qty	Part Number	Location
1	MC62701-014	Flap
1	MC62701-016	Stabilator Trim Indicator Aft
1	MC62701-032	Stabilator Trim
Aileron Cable Kit P/N PKCT-01-AIL		
2	MC62701-002	Aileron Forward LH and RH
2	MC62701-003	Aileron Wing LH and RH
1	MC62701-004	Aileron Balance LH
1	MC62701-005	Aileron Balance RH
Rudder Cable Kit P/N PKCT-01-RUD		
2	MC62701-006	Rudder Forward LH and RH
2	MC62701-008	Rudder Aft LH and RH
Stabilator Cable Kit P/N PKCT-STAB-01 1		
1	MC62701-010 1	Stabilator Forward LH
1	MC62701-011 1	Stabilator Forward RH
1	MC62701-012 1	Stabilator Aft Bottom
1	MC62701-013 1	Stabilator Aft Top
PA28-150		
S/N 28-2172 thru 28-4377		
Complete Kit P/N PKCT150-04 (Manual Trim)		
Complete Kit P/N PKCT150-05 (Electric Trim)		
Qty	Part Number	Location
1	MC62701-014	Flap
1	MC62701-016	Stabilator Trim Indicator Aft
1	MC62701-047	Stabilator Trim Aft
1	MC62701-045 2	Stab Trim Forward (Manual)
1	MC62701-044 2	Stab Trim Forward (Electric)
Aileron Cable Kit P/N PKCT-01-AIL		
2	MC62701-002	Aileron Forward LH and RH
2	MC62701-003	Aileron Wing LH and RH
1	MC62701-004	Aileron Balance LH
1	MC62701-005	Aileron Balance RH
Rudder Cable Kit P/N PKCT-01-RUD		
2	MC62701-006	Rudder Forward LH and RH
2	MC62701-008	Rudder Aft LH and RH
Stabilator Cable Kit P/N PKCT-STAB-01 1		
1	MC62701-010 1	Stabilator Forward LH
1	MC62701-011 1	Stabilator Forward RH
1	MC62701-012 1	Stabilator Aft Bottom
1	MC62701-013 1	Stabilator Aft Top
PA28-151		
S/N 28-7415001 thru 28-7715314		
Complete Kit P/N PKCT151-01 (Manual Trim)		
Complete Kit P/N PKCT151-02 (Electric Trim)		
Qty	Part Number	Location
1	MC62701-101	Flap
1	MC62701-047	Stabilator Trim Aft
2	MC62701-104 2	Stab Trim Fwd LH and RH (Manual)
1	MC62701-111 2	Stab Trim Forward LH (Electric)
Aileron Cable Kit P/N PKCT-02-AIL		
2	MC62701-099	Aileron Forward LH and RH
2	MC62701-122	Aileron Wing LH and RH
1	MC62701-123	Aileron Balance LH
1	MC62701-124	Aileron Balance RH
Rudder Cable Kit P/N PKCT-02-RUD		
2	MC62701-100	Rudder Forward LH and RH
2	MC62701-008	Rudder Aft LH and RH
Stabilator Cable Kit P/N PKCT-STAB-03 1		
1	MC62701-113 1	Stabilator Forward LH
1	MC62701-114 1	Stabilator Forward RH
1	MC62701-012 1	Stabilator Aft Bottom
1	MC62701-013 1	Stabilator Aft Top

PA28-160		
S/N 28-1 thru 28-1410		
Complete Kit P/N PKCT160-01		
Qty	Part Number	Location
1	MC62701-014	Flap
1	MC62701-016	Stabilator Trim Indicator Aft
1	MC62701-015	Stabilator Trim
Aileron Cable Kit P/N PKCT-01-AIL		
2	MC62701-002	Aileron Forward LH and RH
2	MC62701-003	Aileron Wing LH and RH
1	MC62701-004	Aileron Balance LH
1	MC62701-005	Aileron Balance RH
Rudder Cable Kit P/N PKCT-01-RUD		
2	MC62701-006	Rudder Forward LH and RH
2	MC62701-008	Rudder Aft LH and RH
Stabilator Cable Kit P/N PKCT-STAB-01 1		
1	MC62701-010 1	Stabilator Forward LH
1	MC62701-011 1	Stabilator Forward RH
1	MC62701-012 1	Stabilator Aft Bottom
1	MC62701-013 1	Stabilator Aft Top
PA28-160		
S/N 28-1 thru 28-2171		
With Kit # 756-896 or Kit #756-930 Installed		
Complete Kit P/N PKCT160-02		
Qty	Part Number	Location
1	MC62701-014	Flap
1	MC62701-016	Stabilator Trim Indicator Aft
1	MC62701-045	Stabilator Trim Forward
1	MC62701-047	Stabilator Trim Aft
Aileron Cable Kit P/N PKCT-01-AIL		
2	MC62701-002	Aileron Forward LH and RH
2	MC62701-003	Aileron Wing LH and RH
1	MC62701-004	Aileron Balance LH
1	MC62701-005	Aileron Balance RH
Rudder Cable Kit P/N PKCT-01-RUD		
2	MC62701-006	Rudder Forward LH and RH
2	MC62701-008	Rudder Aft LH and RH
Stabilator Cable Kit P/N PKCT-STAB-01 1		
1	MC62701-010 1	Stabilator Forward LH
1	MC62701-011 1	Stabilator Forward RH
1	MC62701-012 1	Stabilator Aft Bottom
1	MC62701-013 1	Stabilator Aft Top
PA28-160		
S/N 28-1411 thru 28-2171		
Complete Kit P/N PKCT160-03		
Qty	Part Number	Location
1	MC62701-014	Flap
1	MC62701-016	Stabilator Trim Indicator Aft
1	MC62701-032	Stabilator Trim
Aileron Cable Kit P/N PKCT-01-AIL		
2	MC62701-002	Aileron Forward LH and RH
2	MC62701-003	Aileron Wing LH and RH
1	MC62701-004	Aileron Balance LH
1	MC62701-005	Aileron Balance RH
Rudder Cable Kit P/N PKCT-01-RUD		
2	MC62701-006	Rudder Forward LH and RH
2	MC62701-008	Rudder Aft LH and RH
Stabilator Cable Kit P/N PKCT-STAB-01 1		
1	MC62701-010 1	Stabilator Forward LH
1	MC62701-011 1	Stabilator Forward RH
1	MC62701-012 1	Stabilator Aft Bottom
1	MC62701-013 1	Stabilator Aft Top
PA28-160		
S/N 28-2172 thru 28-4377		
Complete Kit P/N PKCT160-04 (Manual Trim)		
Complete Kit P/N PKCT160-05 (Electric Trim)		
Qty	Part Number	Location
1	MC62701-014	Flap
1	MC62701-016	Stabilator Trim Indicator Aft
1	MC62701-045 2	Stab Trim Forward (Manual)
1	MC62701-047	Stabilator Trim Aft
1	MC62701-044 2	Stab Trim Forward (Electric)
Aileron Cable Kit P/N PKCT-01-AIL		
2	MC62701-002	Aileron Forward LH and RH
2	MC62701-003	Aileron Wing LH and RH
1	MC62701-004	Aileron Balance LH
1	MC62701-005	Aileron Balance RH
Rudder Cable Kit P/N PKCT-01-RUD		
2	MC62701-006	Rudder Forward LH and RH
2	MC62701-008	Rudder Aft LH and RH
Stabilator Cable Kit P/N PKCT-STAB-01 1		
1	MC62701-010 1	Stabilator Forward LH
1	MC62701-011 1	Stabilator Forward RH
1	MC62701-012 1	Stabilator Aft Bottom
1	MC62701-013 1	Stabilator Aft Top
<p>1 Stabilator Cable Kits to assist with Piper AD2013-02-13 include cables designated with 1 plus 2 each MS21251-B5S Barrels and 10 each MS21256-1 Locking Clips.</p> <p>2 Included in kits for manual trim aircraft only.</p> <p>3 Included in kits for electric trim aircraft only.</p> <p>4 Kits for electric trim aircraft include only one of this part number.</p>		

Flight Control System



Flight Control System

Flight Control Cables - Piper

PA28-235		
S/N 28-10720 thru 28-11393 28-7110001 thru 28-7210033 Complete Kit P/N PKCT235-04 (Manual Trim) Complete Kit P/N PKCT235-05 (Electric Trim)		
Qty	Part Number	Location
1	MC62701-014	Flap
1	MC62701-047	Stabilator Trim Aft
2	MC62701-056 4	Stab Trim Fwd LH and RH (Manual)
1	MC62701-057 3	Stabilator Trim Forward LH (Electric)
Aileron Cable Kit P/N PKCT-01-AIL		
2	MC62701-002	Aileron Forward LH and RH
2	MC62701-003	Aileron Wing LH and RH
1	MC62701-004	Aileron Balance LH
1	MC62701-005	Aileron Balance RH
Rudder Cable Kit P/N PKCT-01-RUD		
2	MC62701-006	Rudder Forward LH and RH
2	MC62701-008	Rudder Aft LH and RH
Stabilator Cable Kit P/N PKCT-STAB-01 1		
1	MC62701-010 1	Stabilator Forward LH
1	MC62701-011 1	Stabilator Forward RH
1	MC62701-012 1	Stabilator Aft Bottom
1	MC62701-013 1	Stabilator Aft Top

PA28-235		
S/N 28-7310001 thru 28-7710089 Complete Kit P/N PKCT235-06 (Manual Trim) Complete Kit P/N PKCT235-07 (Electric Trim)		
Qty	Part Number	Location
1	MC62701-101	Flap
1	MC62701-047	Stabilator Trim Aft
2	MC62701-104 4	Stab Trim Fwd LH and RH (Manual)
1	MC62701-111 3	Stabilator Trim Forward LH (Electric)
Aileron Cable Kit P/N PKCT-03-AIL		
2	MC62701-099	Aileron Forward LH and RH
2	MC62701-003	Aileron Wing LH and RH
1	MC62701-004	Aileron Balance LH
1	MC62701-005	Aileron Balance RH
Rudder Cable Kit P/N PKCT-02-RUD		
2	MC62701-100	Rudder Forward LH and RH
2	MC62701-008	Rudder Aft LH and RH
Stabilator Cable Kit P/N PKCT-STAB-03 1		
1	MC62701-113 1	Stabilator Forward LH
1	MC62701-114 1	Stabilator Forward RH
1	MC62701-012 1	Stabilator Aft Bottom
1	MC62701-013 1	Stabilator Aft Top

PA28-236		
S/N 28-7911001 thru 28-8611008, 2811001 thru 2811050 Complete Kit P/N PKCT236-01 (Manual Trim) Complete Kit P/N PKCT236-02 (Electric Trim)		
Qty	Part Number	Location
1	MC62701-101	Flap
1	MC62701-047	Stabilator Trim Aft
2	MC62701-104 4	Stab Trim Fwd LH and RH (Manual)
1	MC62701-111 3	Stabilator Trim Forward LH (Electric)
Aileron Cable Kit P/N PKCT-02-AIL		
2	MC62701-099	Aileron Forward LH and RH
2	MC62701-122	Aileron Wing LH and RH
1	MC62701-123	Aileron Balance LH
1	MC62701-124	Aileron Balance RH
Rudder Cable Kit P/N PKCT-02-RUD		
2	MC62701-100	Rudder Forward LH and RH
2	MC62701-008	Rudder Aft LH and RH
Stabilator Cable Kit P/N PKCT-STAB-03 1		
1	MC62701-113 1	Stabilator Forward LH
1	MC62701-114 1	Stabilator Forward RH
1	MC62701-012 1	Stabilator Aft Bottom
1	MC62701-013 1	Stabilator Aft Top

PA28R-180		
S/N 28R-30005 thru 28R-30481, 28R-30483 thru 28R-31279, 28R-7130001 thru 28R-7130019 Complete Kit P/N PKCTR180-01 (Manual Trim) Complete Kit P/N PKCTR180-02 (Electric Trim)		
Qty	Part Number	Location
1	MC62701-014	Flap
1	MC62701-047	Stabilator Trim Aft
2	MC62701-056 4	Stab Trim Fwd LH and RH (Manual)
1	MC62701-057 3	Stabilator Trim Forward LH (Electric)
Aileron Cable Kit P/N PKCT-01-AIL		
2	MC62701-002	Aileron Forward LH and RH
2	MC62701-003	Aileron Wing LH and RH
1	MC62701-004	Aileron Balance LH
1	MC62701-005	Aileron Balance RH
Rudder Cable Kit P/N PKCT-03-RUD		
2	MC62701-006	Rudder Forward LH and RH
2	MC62701-064	Rudder Aft LH and RH
Stabilator Cable Kit P/N PKCT-STAB-04 1		
1	MC62701-062 1	Stabilator Fwd LH
1	MC62701-061 1	Stabilator Fwd RH
1	MC62701-012 1	Stabilator Aft Bottom
1	MC62701-013 1	Stabilator Aft Top

PA28R-200		
S/N 28R-35001 thru 28R-35830, 28R-7135001 thru 28R-7135238 Complete Kit P/N PKCTR200-01 (Manual Trim) Complete Kit P/N PKCTR200-02 (Electric Trim)		
Qty	Part Number	Location
1	MC62701-014	Flap
1	MC62701-047	Stabilator Trim Aft
2	MC62701-056 4	Stab Trim Fwd LH and RH (Manual)
1	MC62701-057 3	Stabilator Trim Forward LH (Electric)
Aileron Cable Kit P/N PKCT-01-AIL		
2	MC62701-002	Aileron Forward LH and RH
2	MC62701-003	Aileron Wing LH and RH
1	MC62701-004	Aileron Balance LH
1	MC62701-005	Aileron Balance RH
Rudder Cable Kit P/N PKCT-03-RUD		
2	MC62701-006	Rudder Forward LH and RH
2	MC62701-064	Rudder Aft LH and RH
Stabilator Cable Kit P/N PKCT-STAB-04 1		
1	MC62701-062 1	Stabilator Fwd LH
1	MC62701-061 1	Stabilator Fwd RH
1	MC62701-012 1	Stabilator Aft Bottom
1	MC62701-013 1	Stabilator Aft Top

PA28R-200		
S/N 28R-7235001 thru 28R-7635545 Complete Kit P/N PKCTR200-03 (Manual Trim) Complete Kit P/N PKCTR200-04 (Electric Trim)		
Qty	Part Number	Location
1	MC62701-101	Flap
1	MC62701-047	Stabilator Trim Aft
2	MC62701-104 4	Stab Trim Fwd LH and RH (Manual)
1	MC62701-111 3	Stabilator Trim Forward LH (Electric)
Aileron Cable Kit P/N PKCT-03-AIL		
2	MC62701-099	Aileron Forward LH and RH
2	MC62701-003	Aileron Wing LH and RH
1	MC62701-004	Aileron Balance LH
1	MC62701-005	Aileron Balance RH
Rudder Cable Kit P/N PKCT-04-RUD		
2	MC62701-100	Rudder Forward LH and RH
2	MC62701-064	Rudder Aft LH and RH
Stabilator Cable Kit P/N PKCT-STAB-05 1		
1	MC62701-103 1	Stabilator Forward LH
1	MC62701-102 1	Stabilator Forward RH
1	MC62701-012 1	Stabilator Aft Bottom
1	MC62701-013 1	Stabilator Aft Top

PA28R-201		
S/N 28R-7737002 thru 28R-7837317, 2837001 thru 2837061 Complete Kit P/N PKCTR201-01 (Manual Trim) Complete Kit P/N PKCTR201-02 (Electric Trim)		
Qty	Part Number	Location
1	MC62701-101	Flap
1	MC62701-047	Stabilator Trim Aft
2	MC62701-104 4	Stab Trim Fwd LH and RH (Manual)
1	MC62701-111 3	Stabilator Trim Forward LH (Electric)
Aileron Cable Kit P/N PKCT-04-AIL		
2	MC62701-099	Aileron Forward LH and RH
2	MC62701-143	Aileron Wing LH and RH
1	MC62701-123	Aileron Balance LH
1	MC62701-124	Aileron Balance RH
Rudder Cable Kit P/N PKCT-04-RUD		
2	MC62701-100	Rudder Forward LH and RH
2	MC62701-064	Rudder Aft LH and RH
Stabilator Cable Kit P/N PKCT-STAB-05 1		
1	MC62701-103 1	Stabilator Forward LH
1	MC62701-102 1	Stabilator Forward RH
1	MC62701-012 1	Stabilator Aft Bottom
1	MC62701-013 1	Stabilator Aft Top

PA28R-201T		
S/N 28R-7703002 thru 28R-7803372, 2803001 thru 2803015 Complete Kit P/N PKCTR201T-01 (Manual Trim) Complete Kit P/N PKCTR201T-02 (Electric Trim)		
Qty	Part Number	Location
1	MC62701-101	Flap
1	MC62701-047	Stabilator Trim Aft
2	MC62701-104 4	Stab Trim Fwd LH and RH (Manual)
1	MC62701-111 3	Stabilator Trim Forward LH (Electric)
Aileron Cable Kit P/N PKCT-04-AIL		
2	MC62701-099	Aileron Forward LH and RH
2	MC62701-143	Aileron Wing LH and RH
1	MC62701-123	Aileron Balance LH
1	MC62701-124	Aileron Balance RH
Rudder Cable Kit P/N PKCT-04-RUD		
2	MC62701-100	Rudder Forward LH and RH
2	MC62701-064	Rudder Aft LH and RH
Stabilator Cable Kit P/N PKCT-STAB-05 1		
1	MC62701-103 1	Stabilator Forward LH
1	MC62701-102 1	Stabilator Forward RH
1	MC62701-012 1	Stabilator Aft Bottom
1	MC62701-013 1	Stabilator Aft Top

PA28RT-201		
S/N 28R-7918001 thru 28R-8218026 Complete Kit P/N PKCTR201-01 (Manual Trim) Complete Kit P/N PKCTR201-02 (Electric Trim)		
Qty	Part Number	Location
1	MC62701-101	Flap
2	MC62701-189 4	Stab Trim Fwd LH and RH (Manual)
1	MC62701-155	Stabilator Trim Aft
1	MC62701-191 3	Stabilator Trim Fwd LH (Electric)
Aileron Cable Kit P/N PKCT-04-AIL		
2	MC62701-099	Aileron Forward LH and RH
2	MC62701-143	Aileron Wing LH and RH
1	MC62701-123	Aileron Balance LH
1	MC62701-124	Aileron Balance RH
Rudder Cable Kit P/N PKCT-05-RUD		
2	MC62701-100	Rudder Forward LH and RH
1	MC62701-168	Rudder Aft
Stabilator Cable Kit P/N PKCT-STAB-06 1		
1	MC62701-102 1	Stabilator Forward RH
1	MC62701-103 1	Stabilator Forward LH
1	MC62701-169 1	Stabilator Aft Upper
1	MC62701-170 1	Stabilator Aft Lower

PA28RT-201		
S/N 28R-7918001 thru 28R-8218026 For aircraft with Altimatic IIIC Autopilot Complete Kit P/N PKCTR201-04 (Electric Trim)		
Qty	Part Number	Location
1	MC62701-101	Flap
2	MC62701-189 4	Stab Trim Fwd LH and RH (Manual)
1	MC62701-155	Stabilator Trim Aft
1	MC62701-123	Stab Trim Fwd LH (Autopilots)
Aileron Cable Kit P/N PKCT-04-AIL		
2	MC62701-099	Aileron Forward LH and RH
2	MC62701-143	Aileron Wing LH and RH
1	MC62701-123	Aileron Balance LH
1	MC62701-124	Aileron Balance RH
Rudder Cable Kit P/N PKCT-05-RUD		
2	MC62701-100	Rudder Forward
1	MC62701-168	Rudder Aft
Stabilator Cable Kit P/N PKCT-STAB-06 1		
1	MC62701-102 1	Stabilator Forward RH
1	MC62701-103 1	Stabilator Forward LH
1	MC62701-169 1	Stabilator Aft Upper
1	MC62701-170 1	Stabilator Aft Lower

PA28RT-201T		
S/N 28R-7931001 thru 28R-8631005, 2831001 thru 2831038 Complete Kit P/N PKCTR201T-01 (Manual Trim) Complete Kit P/N PKCTR201T-02 (Electric Trim)		
Qty	Part Number	Location
1	MC62701-101	Flap
1	MC62701-155	Stabilator Trim Aft
2	MC62701-189 4	Stab Trim Fwd LH and RH (Manual)
1	MC62701-191 3	Stabilator Trim Fwd LH (Electric)
Aileron Cable Kit P/N PKCT-04-AIL		
2	MC62701-099	Aileron Forward LH and RH
2	MC62701-143	Aileron Wing LH and RH
1	MC62701-123	Aileron Balance LH
1	MC62701-124	Aileron Balance RH
Rudder Cable Kit P/N PKCT-05-RUD		
2	MC62701-100	Rudder Forward LH and RH
1	MC62701-168	Rudder Aft
Stabilator Cable Kit P/N PKCT-STAB-06 1		
1	MC62701-102 1	Stabilator Forward RH
1	MC62701-103 1	Stabilator Forward LH
1	MC62701-169 1	Stabilator Aft Upper
1	MC62701-170 1	Stabilator Aft Lower

PA28RT-201T		
S/N 28R-7931001 thru 28R-8631005, 2831001 thru 2831038 Complete Kit P/N PKCTR201T-01 (Manual Trim) Complete Kit P/N PKCTR201T-02 (Electric Trim)		
Qty	Part Number	Location
1	MC62701-101	Flap
1	MC62701-155	Stabilator Trim Aft
2	MC62701-189 4	Stab Trim Fwd LH and RH (Manual)
1	MC62701-191 3	Stabilator Trim Fwd LH (Electric)
Aileron Cable Kit P/N PKCT-04-AIL		
2	MC62701-099	Aileron Forward LH and RH
2	MC62701-143	Aileron Wing LH and RH
1	MC62701-123	Aileron Balance LH
1	MC62701-124	Aileron Balance RH
Rudder Cable Kit P/N PKCT-05-RUD		
2	MC62701-100	Rudder Forward LH and RH
1	MC62701-168	Rudder Aft
Stabilator Cable Kit P/N PKCT-STAB-06 1		
1	MC62701-102 1	Stabilator Forward RH
1	MC62701-103 1	Stabilator Forward LH
1	MC62701-169 1	Stabilator Aft Upper
1	MC62701-170 1	Stabilator Aft Lower

1 Stabilator Cable Kits to assist with Piper AD2013-02-13 include cables designated with **1** plus 2 each MS21251-B55 Barrels and 10 each MS21256-1 Locking Clips.
2 Included in kits for manual trim aircraft only.
3 Included in kits for electric trim aircraft only.
4 Kits for electric trim aircraft include only one of this part number.



Flight Control System

PA28RT-201T
S/N 28R-7931001 thru 28R-8631005,
2831001 thru 2831038
For aircraft with Altimatic IIIC Autopilot
Complete Kit P/N PKCTR201T-04 (Electric Trim)

Qty	Part Number	Location
1	MC62701-101	Flap
1	MC62701-189 2	Stab Trim Fwd RH
1	MC62701-155	Stabilator Trim Aft
1	MC62701-193	Stab Trim Fwd LH (Autopilots)

Aileron Cable Kit P/N PKCT-04-AIL		
2	MC62701-099	Aileron Forward LH and RH
2	MC62701-143	Aileron Wing LH and RH
1	MC62701-123	Aileron Balance LH
1	MC62701-124	Aileron Balance RH

Rudder Cable Kit P/N PKCT-05-RUD		
2	MC62701-100	Rudder Forward LH and RH
1	MC62701-168	Rudder Aft

Stabilator Cable Kit P/N PKCT-STAB-06 1		
1	MC62701-102 1	Stabilator Forward RH
1	MC62701-103 1	Stabilator Forward LH
1	MC62701-169 1	Stabilator Aft Upper
1	MC62701-170 1	Stabilator Aft Lower

PA28S-180
S/N 28S-671 thru 28S-2171
Complete Kit P/N PKCTS180-01

Qty	Part Number	Location
1	MC62701-031	Stabilator Trim Aft

Aileron Cable Kit P/N PKCT-05-AIL		
2	MC62701-018	Aileron Wing LH and RH
1	MC62701-019	Aileron Balance LH
1	MC62701-020	Aileron Balance RH
2	MC62701-017	Aileron Forward LH and RH

Rudder Cable Kit P/N PKCT-06-RUD		
2	MC62701-023	Rudder Aft LH and RH

Stabilator Cable Kit P/N PKCT-STAB-02 1		
1	MC62701-027 1	Stabilator Aft LH
1	MC62701-028 1	Stabilator Aft RH

PA28S-180
S/N 28S-2172 thru 28S-5869,
28S-7105001 thru 28S-7205234
Complete Kit P/N PKCTS180-02 (Manual Trim)
Complete Kit P/N PKCTS180-03 (Electric Trim)

Qty	Part Number	Location
1	MC62701-031	Stabilator Trim Aft
1	MC62701-046 2	Stabilator Trim Forward LH (Manual)
1	MC62701-049 3	Stabilator Trim Forward LH (Electric)

Aileron Cable Kit P/N PKCT-05-AIL		
2	MC62701-018	Aileron Wing LH and RH
1	MC62701-019	Aileron Balance LH
1	MC62701-020	Aileron Balance RH
2	MC62701-017	Aileron Forward LH and RH

Rudder Cable Kit P/N PKCT-06-RUD		
2	MC62701-023	Rudder Aft LH and RH

Stabilator Cable Kit P/N PKCT-STAB-02 1		
1	MC62701-027 1	Stabilator Aft LH
1	MC62701-028 1	Stabilator Aft RH

PA32-260
S/N 32-1 thru 32-1320,
32-7100001 thru 32-7300076
Complete Kit P/N PKCT260-01 (Manual Trim)
Complete Kit P/N PKCT260-02 (Electric Trim)

Qty	Part Number	Location
1	MC62701-014	Flap
2	MC62701-041 4	Stab Trim Fwd LH and RH (Manual)
1	MC62701-042 3	Stabilator Trim Forward LH (Electric)
1	MC62701-047	Stabilator Trim Aft

Aileron Cable Kit P/N PKCT-06-AIL		
2	MC62701-036	Aileron Forward LH and RH
2	MC62701-003	Aileron Wing LH and RH
1	MC62701-048	Aileron Balance LH
1	MC62701-005	Aileron Balance RH

Rudder Cable Kit P/N PKCT-07-RUD		
2	MC62701-008	Rudder Aft LH and RH
1	MC62701-037	Rudder Forward RH
1	MC62701-038	Rudder Forward LH

Stabilator Cable Kit P/N PKCT-STAB-07 1		
1	MC62701-037 1	Stabilator Fwd RH
1	MC62701-040 1	Stabilator Forward LH
1	MC62701-012 1	Stabilator Aft LH
1	MC62701-013 1	Stabilator Aft RH

PA32-260
S/N 32-7400001 thru 32-7400061
Complete Kit P/N PKCT260-03 (Manual Trim)
Complete Kit P/N PKCT260-04 (Electric Trim)

Qty	Part Number	Location
1	MC62701-014	Flap
2	MC62701-041 4	Stab Trim Fwd LH and RH (Manual)
1	MC62701-042 3	Stabilator Trim Forward LH (Electric)
1	MC62701-047	Stabilator Trim Aft

Aileron Cable Kit P/N PKCT-06-AIL		
2	MC62701-036	Aileron Forward LH and RH
2	MC62701-003	Aileron Wing LH and RH
1	MC62701-048	Aileron Balance LH
1	MC62701-005	Aileron Balance RH

Rudder Cable Kit P/N PKCT-08-RUD		
1	MC62701-134	Rudder Aft LH
1	MC62701-008	Rudder Aft RH
1	MC62701-037	Rudder Forward RH
1	MC62701-038	Rudder Forward LH

Stabilator Cable Kit P/N PKCT-STAB-07 1		
1	MC62701-037 1	Stabilator Fwd RH
1	MC62701-012 1	Stabilator Aft LH
1	MC62701-013 1	Stabilator Aft RH
1	MC62701-040 1	Stabilator Forward LH

PA32-260
S/N 32-7500001 thru 32-7800008
Complete Kit P/N PKCT260-05 (Manual Trim)
Complete Kit P/N PKCT260-06 (Electric Trim)

Qty	Part Number	Location
1	MC62701-014	Flap
1	MC62701-047	Stabilator Trim Aft
2	MC62701-041 4	Stab Trim Fwd LH and RH (Manual)
1	MC62701-042 3	Stabilator Trim Forward LH (Electric)

Aileron Cable Kit P/N PKCT-06-AIL		
2	MC62701-036	Aileron Forward LH and RH
2	MC62701-003	Aileron Wing LH and RH
1	MC62701-048	Aileron Balance LH
1	MC62701-005	Aileron Balance RH

Rudder Cable Kit P/N PKCT-09-RUD		
2	MC62701-008	Rudder Aft LH and RH
2	MC62701-037	Rudder Fwd LH and RH

Stabilator Cable Kit P/N PKCT-STAB-07 1		
1	MC62701-012 1	Stabilator Aft LH
1	MC62701-013 1	Stabilator Aft RH
1	MC62701-040 1	Stabilator Forward LH
1	MC62701-037 1	Stabilator Fwd RH

PA32-300
S/N 32-40000 thru 32-41018,
32-7140001 thru 32-7340201
Complete Kit P/N PKCT300-01 (Manual Trim)
Complete Kit P/N PKCT300-02 (Electric Trim)

Qty	Part Number	Location
1	MC62701-014	Flap
1	MC62701-047	Stabilator Trim Aft
2	MC62701-041 4	Forward Stabilator Trim
1	MC62701-042 3	Electric Trim

Aileron Cable Kit P/N PKCT-06-AIL		
2	MC62701-036	Aileron Forward LH and RH
2	MC62701-003	Aileron Wing LH and RH
1	MC62701-048	Aileron Balance LH
1	MC62701-005	Aileron Balance RH

Rudder Cable Kit P/N PKCT-07-RUD		
2	MC62701-008	Rudder Aft LH and RH
1	MC62701-037	Rudder Forward RH
1	MC62701-038	Rudder Forward LH

Stabilator Cable Kit P/N PKCT-STAB-07 1		
1	MC62701-012 1	Stabilator Aft LH
1	MC62701-013 1	Stabilator Aft RH
1	MC62701-040 1	Stabilator Forward LH
1	MC62701-037 1	Stabilator Fwd RH

PA32-300
S/N 32-7440001 thru 32-7440182
Complete Kit P/N PKCT300-03 (Manual Trim)
Complete Kit P/N PKCT300-04 (Electric Trim)

Qty	Part Number	Location
1	MC62701-014	Flap
1	MC62701-047	Stabilator Trim Aft
2	MC62701-041 4	Stab Trim Fwd LH and RH (Manual)
1	MC62701-042 3	Stabilator Trim Forward LH (Electric)

Aileron Cable Kit P/N PKCT-06-AIL		
2	MC62701-036	Aileron Forward LH and RH
2	MC62701-003	Aileron Wing LH and RH
1	MC62701-048	Aileron Balance LH
1	MC62701-005	Aileron Balance RH

Rudder Cable Kit P/N PKCT-08-RUD		
1	MC62701-037	Rudder Fwd RH
1	MC62701-038	Rudder Forward LH
1	MC62701-134	Rudder Aft LH
1	MC62701-008	Rudder Aft RH

Stabilator Cable Kit P/N PKCT-STAB-07 1		
1	MC62701-012 1	Stabilator Aft LH
1	MC62701-013 1	Stabilator Aft RH
1	MC62701-040 1	Stabilator Forward LH
1	MC62701-037 1	Stabilator Fwd RH

PA32-300
S/N 32-7540001 thru 32-7940282
Complete Kit P/N PKCT300-05 (Manual Trim)
Complete Kit P/N PKCT300-06 (Electric Trim)

Qty	Part Number	Location
1	MC62701-014	Flap
1	MC62701-047	Stabilator Trim Aft
2	MC62701-041 4	Stab Trim Fwd LH and RH (Manual)
1	MC62701-042 3	Stabilator Trim Forward LH (Electric)

Aileron Cable Kit P/N PKCT-06-AIL		
2	MC62701-036	Aileron Forward LH and RH
2	MC62701-003	Aileron Wing LH and RH
1	MC62701-048	Aileron Balance LH
1	MC62701-005	Aileron Balance RH

Rudder Cable Kit P/N PKCT-09-RUD		
2	MC62701-008	Rudder Aft LH and RH
2	MC62701-037	Rudd Fwd LH and RH

Stabilator Cable Kit P/N PKCT-STAB-07 1		
1	MC62701-012 1	Stabilator Aft LH
1	MC62701-013 1	Stabilator Aft RH
1	MC62701-037 1	Stabilator Fwd RH
1	MC62701-040 1	Stabilator Forward LH

PA32-301
S/N 32-8006001 thru 32-8606023,
3206001 thru 3206060
Complete Kit P/N PKCT301-01 (Manual Trim)
Complete Kit P/N PKCT301-02 (Electric Trim)

Qty	Part Number	Location
1	MC62701-014	Flap
1	MC62701-047	Stabilator Trim Aft
2	MC62701-041 4	Stab Trim Fwd LH and RH (Manual)
1	MC62701-042 3	Stabilator Trim Forward LH (Electric)

Aileron Cable Kit P/N PKCT-07-AIL		
2	MC62701-036	Aileron Forward LH and RH
2	MC62701-202	Aileron Wing LH and RH
1	MC62701-200	Aileron Balance LH
1	MC62701-201	Aileron Balance RH

Rudder Cable Kit P/N PKCT-09-RUD		
2	MC62701-008	Rudder Aft LH and RH
2	MC62701-037	Rudd Fwd LH and RH

Stabilator Cable Kit P/N PKCT-STAB-09 1		
1	MC62701-208 1	Stabilator Aft LH
1	MC62701-205 1	Stabilator Aft RH
1	MC62701-037 1	Stabilator Fwd RH
1	MC62701-207 1	Stabilator Forward LH

PA32-301
S/N 32-8406001 thru 32-8606023,
3206001 thru 3206060
For aircraft with Century 31 Autopilot
Complete Kit P/N PKCT301-04 (Electric Trim)

Qty	Part Number	Location
1	MC62701-014	Flap
1	MC62701-041 2	Stab Trim Fwd RH
1	MC62701-047	Stabilator Trim Aft
1	MC62701-135	Stabilator Trim Forward

Aileron Cable Kit P/N PKCT-07-AIL		
2	MC62701-036	Aileron Forward LH and RH
2	MC62701-202	Aileron Wing LH and RH
1	MC62701-200	Aileron Balance LH
1	MC62701-201	Aileron Balance RH

Rudder Cable Kit P/N PKCT-09-RUD		
2	MC62701-008	Rudder Aft LH and RH
2	MC62701-037	Rudder Fwd LH and RH

Stabilator Cable Kit P/N PKCT-STAB-09 1		
1	MC62701-208 1	Stabilator Aft LH
1	MC62701-205 1	Stabilator Aft RH
1	MC62701-037 1	Stabilator Fwd RH
1	MC62701-207 1	Stabilator Forward LH

1 Stabilator Cable Kits to assist with Piper AD2013-02-13 include cables designated with **1** plus 2 each MS21251-B5S Barrels and 10 each MS21256-1 Locking Clips.
2 Included in kits for manual trim aircraft only.
3 Included in kits for electric trim aircraft only.
4 Kits for electric trim aircraft include only one of this part number.



Flight Control System

Flight Control Cables - Piper



PA32-301T		
S/N 32-8024001 thru 32-8424002		
Complete Kit P/N PKCT301T-01 (Manual Trim)		
Complete Kit P/N PKCT301T-02 (Electric Trim)		
Qty	Part Number	Location
1	MC62701-014	Flap
1	MC62701-047	Stabilator Trim Aft
2	MC62701-041 4	Stab Trim Fwd LH and RH (Manual)
1	MC62701-042 3	Stabilator Trim Forward LH (Electric)
Aileron Cable Kit P/N PKCT-07-AIL		
2	MC62701-036	Aileron Forward LH and RH
2	MC62701-202	Aileron Wing LH and RH
1	MC62701-200	Aileron Balance LH
1	MC62701-201	Aileron Balance RH
Rudder Cable Kit P/N PKCT-09-RUD		
2	MC62701-037	Rudder Fwd LH and RH
2	MC62701-008	Rudder Aft LH and RH
Stabilator Cable Kit P/N PKCT-STAB-09 1		
1	MC62701-037 1	Stabilator Fwd RH
1	MC62701-207 1	Stabilator Forward LH
1	MC62701-208 1	Stabilator Aft LH
1	MC62701-205 1	Stabilator Aft RH

PA32-301T		
S/N 32-8024001 thru 32-8424002		
For aircraft with Century 31 Autopilot		
Complete Kit P/N PKCT301T-04 (Electric Trim)		
Qty	Part Number	Location
1	MC62701-014	Flap
1	MC62701-047	Stabilator Trim Aft
1	MC62701-041	Stab Trim Fwd RH
1	MC62701-135	Stabilator Trim Fwd LH (Autopilot)
Aileron Cable Kit P/N PKCT-07-AIL		
2	MC62701-036	Aileron Forward LH and RH
2	MC62701-202	Aileron Wing LH and RH
1	MC62701-200	Aileron Balance LH
1	MC62701-201	Aileron Balance RH
Rudder Cable Kit P/N PKCT-09-RUD		
2	MC62701-037	Rudder Fwd LH and RH
2	MC62701-008	Rudder Aft LH and RH
Stabilator Cable Kit P/N PKCT-STAB-09 1		
1	MC62701-037 1	Stabilator Fwd RH
1	MC62701-207 1	Stabilator Forward LH
1	MC62701-208 1	Stabilator Aft LH
1	MC62701-205 1	Stabilator Aft RH

PA32R-300		
S/N 32R-7680001 thru 32R-7880068		
Complete Kit P/N PKCTR300-01 (Manual Trim)		
Complete Kit P/N PKCTR300-02 (Electric Trim)		
Qty	Part Number	Location
1	MC62701-014	Flap
1	MC62701-047	Stabilator Trim Aft
2	MC62701-041 4	Stab Trim Fwd LH and RH (Manual)
1	MC62701-042 3	Stabilator Trim Forward LH (Electric)
Aileron Cable Kit P/N PKCT-06-AIL		
2	MC62701-036	Aileron Forward LH and RH
2	MC62701-003	Aileron Wing LH and RH
1	MC62701-048	Aileron Balance LH
1	MC62701-005	Aileron Balance RH
Rudder Cable Kit P/N PKCT-10-RUD		
2	MC62701-037	Rudder Fwd LH and RH
2	MC62701-008	Rudder Aft LH and RH
Stabilator Cable Kit P/N PKCT-STAB-07 1		
1	MC62701-012 1	Stabilator Aft LH
1	MC62701-013 1	Stabilator Aft RH
1	MC62701-040 1	Stabilator Forward LH
1	MC62701-037 1	Stabilator Fwd RH

PA32R-301		
S/N 32R-8013001 thru 32R-8613006,		
3213001 thru 3213103		
Complete Kit P/N PKCTR301-01 (Manual Trim)		
Complete Kit P/N PKCTR301-02 (Electric Trim)		
Qty	Part Number	Location
1	MC62701-014	Flap
1	MC62701-047	Stabilator Trim Aft
2	MC62701-041 4	Stab Trim Fwd LH and RH (Manual)
1	MC62701-042 3	Stabilator Trim Forward LH (Electric)
Aileron Cable Kit P/N PKCT-08-AIL		
2	MC62701-036	Aileron Forward LH and RH
2	MC62701-199	Aileron Wing LH and RH
1	MC62701-200	Aileron Balance LH
1	MC62701-201	Aileron Balance RH
Rudder Cable Kit P/N PKCT-09-RUD		
2	MC62701-037	Rudder Fwd LH and RH
2	MC62701-008	Rudder Aft LH and RH
Stabilator Cable Kit P/N PKCT-STAB-09 1		
1	MC62701-037 1	Stabilator Fwd RH
1	MC62701-207 1	Stabilator Forward LH
1	MC62701-205 1	Stabilator Aft RH
1	MC62701-208 1	Stabilator Aft LH

PA32R-301T		
S/N 32R-8029001 thru 32R-8629008,		
3229001 thru 3229003		
Complete Kit P/N PKCTR301T-01 (Manual Trim)		
Complete Kit P/N PKCTR301T-02 (Electric Trim)		
Qty	Part Number	Location
1	MC62701-014	Flap
1	MC62701-047	Stabilator Trim Aft
2	MC62701-041 4	Stab Trim Fwd LH and RH (Manual)
1	MC62701-042 3	Stabilator Trim Forward LH (Electric)
Aileron Cable Kit P/N PKCT-08-AIL		
2	MC62701-036	Aileron Forward LH and RH
2	MC62701-199	Aileron Wing LH and RH
1	MC62701-200	Aileron Balance LH
1	MC62701-201	Aileron Balance RH
Rudder Cable Kit P/N PKCT-09-RUD		
2	MC62701-037	Rudder Fwd LH and RH
2	MC62701-008	Rudder Aft LH and RH
Stabilator Cable Kit P/N PKCT-STAB-09 1		
1	MC62701-037 1	Stabilator Fwd RH
1	MC62701-207 1	Stabilator Forward LH
1	MC62701-205 1	Stabilator Aft RH
1	MC62701-208 1	Stabilator Aft LH

PA32RT-300		
S/N 32R-7885001 thru 32R-7985125		
Complete Kit P/N PKCTR300-01 (Manual Trim)		
Complete Kit P/N PKCTR300-02 (Electric Trim)		
Qty	Part Number	Location
1	MC62701-014	Flap
2	MC62701-041 4	Stab Trim Fwd LH and RH (Manual)
1	MC62701-137	Stabilator Trim Aft
Aileron Cable Kit P/N PKCT-06-AIL		
2	MC62701-036	Aileron Forward LH and RH
2	MC62701-003	Aileron Wing LH and RH
1	MC62701-048	Aileron Balance LH
1	MC62701-005	Aileron Balance RH
Rudder Cable Kit P/N PKCT-10-RUD		
2	MC62701-037	Rudder Fwd LH and RH
1	MC62701-157	Rudder Aft
Stabilator Cable Kit P/N PKCT-STAB-10 1		
1	MC62701-037 1	Stabilator Fwd RH
1	MC62701-040 1	Stabilator Forward LH
1	MC62701-159 1	Stabilator Aft LH
1	MC62701-158 1	Stabilator Aft RH

PA32RT-300		
S/N 32R-7885001 thru 32R-7985013,		
For aircraft with Altimatec IIIC Autopilot		
Complete Kit P/N PKCTR300-05 (Electric Trim)		
Qty	Part Number	Location
1	MC62701-014	Flap
1	MC62701-041	Stab Trim Fwd RH
1	MC62701-137	Stabilator Trim Aft
1	MC62701-135	Stab Trim Fwd LH and RH (Autopilot)
Aileron Cable Kit P/N PKCT-06-AIL		
2	MC62701-036	Aileron Forward LH and RH
2	MC62701-003	Aileron Wing LH and RH
1	MC62701-048	Aileron Balance LH
1	MC62701-005	Aileron Balance RH
Rudder Cable Kit P/N PKCT-10-RUD		
2	MC62701-037	Rudder Fwd LH and RH
1	MC62701-157	Rudder Aft
Stabilator Cable Kit P/N PKCT-STAB-10 1		
1	MC62701-037 1	Stabilator Fwd RH
1	MC62701-040 1	Stabilator Forward LH
1	MC62701-159 1	Stabilator Aft LH
1	MC62701-158 1	Stabilator Aft RH

PA32RT-300		
S/N 32R-7885001 thru 32R-7985013,		
For aircraft with Altimatec IIIC Autopilot		
Complete Kit P/N PKCTR300-05 (Electric Trim)		
Qty	Part Number	Location
1	MC62701-014	Flap
1	MC62701-041	Stab Trim Fwd RH
1	MC62701-137	Stabilator Trim Aft
1	MC62701-135	Stab Trim Fwd LH and RH (Autopilot)
Aileron Cable Kit P/N PKCT-06-AIL		
2	MC62701-036	Aileron Forward LH and RH
2	MC62701-003	Aileron Wing LH and RH
1	MC62701-048	Aileron Balance LH
1	MC62701-005	Aileron Balance RH
Rudder Cable Kit P/N PKCT-10-RUD		
2	MC62701-037	Rudder Fwd LH and RH
1	MC62701-157	Rudder Aft
Stabilator Cable Kit P/N PKCT-STAB-10 1		
1	MC62701-037 1	Stabilator Fwd RH
1	MC62701-040 1	Stabilator Forward LH
1	MC62701-159 1	Stabilator Aft LH
1	MC62701-158 1	Stabilator Aft RH

PA32RT-300		
S/N 32R-7985014 thru 32R-7985125,		
For aircraft with Altimatec IIIC Autopilot		
Complete Kit P/N PKCTR300-06 (Electric Trim)		
Qty	Part Number	Location
1	MC62701-041	Stab Trim Fwd RH
2	MC62701-137	Stabilator Trim Aft
1	MC62701-183	Stab Trim Fwd LH and RH (Autopilot)
Aileron Cable Kit P/N PKCT-06-AIL		
2	MC62701-036	Aileron Forward LH and RH
2	MC62701-003	Aileron Wing LH and RH
1	MC62701-048	Aileron Balance LH
1	MC62701-005	Aileron Balance RH
Rudder Cable Kit P/N PKCT-10-RUD		
2	MC62701-037	Rudder Fwd LH and RH
1	MC62701-157	Rudder Aft
Stabilator Cable Kit P/N PKCT-STAB-10 1		
1	MC62701-037 1	Stabilator Fwd RH
1	MC62701-040 1	Stabilator Forward LH
1	MC62701-159 1	Stabilator Aft LH
1	MC62701-158 1	Stabilator Aft RH

PA32RT-300T		
S/N 32R-7887001 thru 32R-7987146		
Complete Kit P/N PKCTR300T-01 (Manual Trim)		
Complete Kit P/N PKCTR300T-02 (Electric Trim)		
Qty	Part Number	Location
2	MC62701-041 4	Stab Trim Fwd RH
1	MC62701-137	Stabilator Trim Aft
1	MC62701-042 3	Stabilator Trim Fwd LH (Electric)
Aileron Cable Kit P/N PKCT-06-AIL		
2	MC62701-036	Aileron Forward LH and RH
2	MC62701-003	Aileron Wing LH and RH
1	MC62701-048	Aileron Balance LH
1	MC62701-005	Aileron Balance RH
Rudder Cable Kit P/N PKCT-10-RUD		
2	MC62701-037	Rudder Fwd LH and RH
1	MC62701-157	Rudder Aft
Stabilator Cable Kit P/N PKCT-STAB-10 1		
1	MC62701-037 1	Stabilator Fwd RH
1	MC62701-040 1	Stabilator Forward LH
1	MC62701-159 1	Stabilator Aft LH
1	MC62701-158 1	Stabilator Aft RH

PA32RT-300T		
S/N 32R-7887003, 32R-7887005 thru 32R-7887050,		
For aircraft with Altimatec IIIC Autopilot		
32R-7887052 thru 32R-7887307,		
32R-7987001 thru 32R-7987035		
Complete Kit P/N PKCTR300T-05 (Electric Trim)		
Qty	Part Number	Location
1	MC62701-041	Stab Trim Fwd RH
1	MC62701-137	Stabilator Trim Aft
1	MC62701-135	Stab Trim Fwd LH and RH (Autopilot)
Aileron Cable Kit P/N PKCT-06-AIL		
2	MC62701-036	Aileron Forward LH and RH
2	MC62701-003	Aileron Wing LH and RH
1	MC62701-048	Aileron Balance LH
1	MC62701-005	Aileron Balance RH
Rudder Cable Kit P/N PKCT-10-RUD		
2	MC62701-037	Rudd Fwd LH and RH
1	MC62701-157	Rudder Aft
Stabilator Cable Kit P/N PKCT-STAB-10 1		
1	MC62701-037 1	Stabilator Fwd RH
1	MC62701-040 1	Stabilator Forward LH
1	MC62701-159 1	Stabilator Aft LH
1	MC62701-158 1	Stabilator Aft RH

PA32RT-300T		
S/N 32R-7987004, 32R-7987051,		
32R-7987036 thru 32R-7987146		
For aircraft with Altimatec IIIC Autopilot		
Complete Kit P/N PKCTR300T-06 (Electric Trim)		
Qty	Part Number	Location
1	MC62701-041	Stab Trim Fwd RH
1	MC62701-137	Stabilator Trim Aft
1	MC62701-183	Stab Trim Fwd LH and RH (Autopilot)
Aileron Cable Kit P/N PKCT-06-AIL		
2	MC62701-036	Aileron Forward LH and RH
2	MC62701-003	Aileron Wing LH and RH
1	MC62701-048	Aileron Balance LH
1	MC62701-005	Aileron Balance RH
Rudder Cable Kit P/N PKCT-10-RUD		
2	MC62701-037	Rudd Fwd LH and RH
1	MC62701-157	Rudder Aft
Stabilator Cable Kit P/N PKCT-STAB-10 1		
1	MC62701-037 1	Stabilator Fwd RH
1	MC62701-040 1	Stabilator Forward LH
1	MC62701-159 1	Stabilator Aft LH
1	MC62701-158 1	Stabilator Aft RH

PA32S-300		
S/N 32S-40000 thru 32S-7240147		
Complete Kit P/N PKCTS300-01 (Manual Trim)		
Complete Kit P/N PKCTS300-02 (Electric Trim)		
Qty	Part Number	Location
1	MC62701-047	Stabilator Trim Aft
2	MC62701-054 4	Stab Trim Fwd LH and RH (Manual)
1	MC62701-060 3	Stabilator Trim Fwd LH (Electric)
Aileron Cable Kit P/N PKCT-09-AIL		
2	MC62701-050	Aileron Forward LH and RH
2	MC62701-018	Aileron Wing LH and RH
1	MC62701-055	Aileron Balance LH
1	MC62701-020	Aileron Balance RH
Rudder Cable Kit P/N PKCT-11-RUD		
2	MC62701-023	Rudder Aft LH and RH
1	MC62701-051	Rudder Fwd RH
1	MC62701-037	Rudder Forward LH
Stabilator Cable Kit P/N PKCT-STAB-08 1		
1	MC62701-027 1	Stabilator Aft LH
1	MC62701-028 1	Stabilator Aft RH
1	MC62701-053 1	Stabilator Forward LH
1	MC62701-051 1	Stab Fwd RH

PA32S-300		
S/N 32S-40000 thru 32S-7240147		
Complete Kit P/N PKCTS300-01 (Manual Trim)		
Complete Kit P/N PKCTS300-02 (Electric Trim)		
Qty	Part Number	Location
1	MC62701-047	Stabilator Trim Aft
2	MC62701-054 4	Stab Trim Fwd LH and RH (Manual)
1	MC62701-060 3	Stabilator Trim Fwd LH (Electric)
Aileron Cable Kit P/N PKCT-09-AIL		
2	MC62701-050	Aileron Forward LH and RH
2	MC62701-018	Aileron Wing LH and RH
1	MC62701-055	Aileron Balance LH
1	MC62701-020	Aileron Balance RH
Rudder Cable Kit P/N PKCT-11-RUD		
2	MC62701-023	Rudder Aft LH and RH
1	MC62701-051	Rudder Fwd RH
1	MC62701-037	Rudder Forward LH
Stabilator Cable Kit P/N PKCT-STAB-08 1		
1	MC62701-027 1	Stabilator Aft LH
1	MC62701-028 1	Stabilator Aft RH
1	MC62701-053 1	Stabilator Forward LH
1	MC62701-051 1	Stab Fwd RH

1 Stabilator Cable Kits to assist with Piper AD2013-02-13 include cables designated with 1 plus 2 each MS21251-B5S Barrels and 10 each MS21256-1 Locking Clips.
 2 Included in kits for manual trim aircraft only.
 3 Included in kits for electric trim aircraft only.
 4 Kits for elec.trim aircraft include only one of this P/N.



Flight Control System

PA34-200
S/N 34-7250001 thru 34-7450220
Complete Kit P/N PKCT200-01 (Manual Trim)
Complete Kit P/N PKCT200-05 (Electric Trim)

Qty	Part Number	Location
1	MC62701-071	Flap
1	MC62701-073	Stabilator Trim Aft
2	MC62701-077 4	Stab Trim Fwd LH and RH (Manual)
1	MC62701-097 8	Stab Trim Fwd LH and RH (Autopilot)

Aileron Cable Kit P/N PKCT-10-AIL

2	MC62701-036	Aileron Forward LH and RH
2	MC62701-074	Aileron Wing LH and RH
1	MC62701-076	Aileron Balance LH
1	MC62701-075	Aileron Balance RH
2	MC62701-093 6	Aileron/Rudder Interconnect Aft
2	MC62701-094 6	Aileron/Rudder Interconnect Fwd

Rudder Cable Kit P/N PKCT-12-RUD

2	MC62701-081	Rudder Forward
1	MC62701-072	Rudder Aft
2	MC62701-069 7	Rudder Trim Fwd
1	MC62701-070 7	Rudder Trim Aft

Stabilator Cable Kit P/N PKCT-STAB-11 **1**

1	MC62701-078 1	Stabilator Forward LH
1	MC62701-037 1	Stabilator Forward RH
1	MC62701-079 1	Stabilator Aft Upper
1	MC62701-080 1	Stabilator Aft Lower

PA34-200
S/N 34-7250001 thru 34-7450024,
34-7450025 thru 34-7450220 with
Altimatec IIIB Autopilot If Kit 760-776 installed
Complete Kit P/N PKCT200-10 (Electric Trim)

Qty	Part Number	Location
1	MC62701-071	Flap
2	MC62701-128	Interconnect
1	MC62701-077	Stab Trim Fwd RH
1	MC62701-073	Stabilator Trim Aft
1	MC62701-097	Stab Trim Fwd LH (Autopilot)

Aileron Cable Kit P/N PKCT-11-AIL

2	MC62701-036	Aileron Forward LH and RH
2	MC62701-074	Aileron Wing LH and RH
1	MC62701-076	Aileron Balance LH
1	MC62701-075	Aileron Balance RH
2	MC62701-093 6	Aileron/Rudder Interconnect Aft
2	MC62701-094 6	Aileron/Rudder Interconnect Fwd

Rudder Cable Kit P/N PKCT-12-RUD

2	MC62701-081	Rudder Forward
1	MC62701-072	Rudder Aft
2	MC62701-069 7	Rudder Trim Fwd
1	MC62701-070 7	Rudder Trim Aft

Stabilator Cable Kit P/N PKCT-STAB-11 **1**

1	MC62701-078 1	Stabilator Forward LH
1	MC62701-037 1	Stabilator Forward RH
1	MC62701-079 1	Stabilator Aft Upper
1	MC62701-080 1	Stabilator Aft Lower

PA34-200T
S/N 34-7570001 - 34-8170092
For aircraft with Altimatec IIIB Autopilot
Complete Kit P/N PKCT200T-01 (Manual Trim)
Complete Kit P/N PKCT200T-02 (Electric Trim)

Qty	Part Number	Location
1	MC62701-071	Flap
1	MC62701-073	Stabilator Trim Aft
2	MC62701-077 4	Stab Trim Fwd LH and RH (Manual)
1	MC62701-097 8	Stab Trim Fwd LH (Electric)(Autopilot)

Aileron Cable Kit P/N PKCT-12-AIL

2	MC62701-036	Aileron Forward LH and RH
2	MC62701-127	Aileron Wing LH and RH
1	MC62701-125	Aileron Balance LH
1	MC62701-126	Aileron Balance RH

Rudder Cable Kit P/N PKCT-12-RUD

2	MC62701-081	Rudder Forward
1	MC62701-072	Rudder Aft
2	MC62701-069 7	Rudder Trim Control Forward
1	MC62701-070 7	Rudder Trim Control Aft

Stabilator Cable Kit P/N PKCT-STAB-12 **1**

1	MC62701-078 1	Stabilator Forward LH
1	MC62701-037 1	Stabilator Forward RH
1	MC62701-129 1	Stabilator Aft Upper
1	MC62701-080 1	Stabilator Aft Lower

PA34-220T
S/N 34-8133001 thru 34-8633031,
3433001 thru 3433172, 3447001 thru 3449999
Complete Kit P/N PKCT220T-01

Qty	Part Number	Location
1	MC62701-071	Flap
1	MC62701-073	Stabilator Trim Aft
2	MC62701-077 4	Stab Trim Fwd LH and RH (Manual)
1	MC62701-097	Stab Trim Fwd LH (Electric)(Autopilot)

Aileron Cable Kit P/N PKCT-13-AIL

2	MC62701-228	Aileron Forward LH and RH
2	MC62701-127	Aileron Wing LH and RH
1	MC62701-125	Aileron Balance LH
1	MC62701-126	Aileron Balance RH

Rudder Cable Kit P/N PKCT-12-RUD

2	MC62701-081	Rudder Forward
1	MC62701-072	Rudder Aft
2	MC62701-069 7	Rudder Trim Control Forward
1	MC62701-070 7	Rudder Trim Control Aft

Stabilator Cable Kit P/N PKCT-STAB-12 **1**

1	MC62701-078 1	Stabilator Forward LH
1	MC62701-037 1	Stabilator Forward RH
1	MC62701-129 1	Stabilator Aft Upper
1	MC62701-080 1	Stabilator Aft Lower

1 Stabilator Cable Kits to assist with Piper AD2013-02-13 include cables designated with **1** plus 2 each MS21251-B5S Barrels and 10 each MS21256-1 Locking Clips.

8 Included in kits for electric trim aircraft only.

4 Kits for electric trim aircraft include only one of this part number.

6 Not included in Aileron Cable Kit Kit P/N PKCT-10-AIL and PKCT-11-AIL

7 Not included in Rudder Cable Kit Kit P/N PKCT-12-RUD

General Piper Cable Notes:

Corrosion Protection

All Piper cables are coated with a modified MIL-PRF-16173 compound. It provides additional corrosion protection beyond the standard MIL-SPEC rust preventive oil.

This provides both exceptional wear resistance and corrosion protection for many years.





Flight Control System

Flight Control Cables - Beechcraft



Models 19, 23 and 24 Musketeer, Sport, Sundowner A23-19, 19A, M19A, B19, 23, A23, A23A, B23, C23, A23-24, A24		
Qty	Part Number	Location
Aileron Cable Kit P/N BCKT-01-AIL		
1	MCNAS31427-1370	Aileron LH
1	MCNAS31426-1170	Aileron RH
2	MCNAS31427-1131	Aileron
Rudder Cable Kit P/N BCKT-09-RUD		
1	MCNAS31425-1220	Rudder Fwd LH
1	MCNAS31424-1242	Rudder Fwd RH
1	MCNAS31424-0934	Rudder Aft LH
1	MCNAS31425-0931	Rudder Aft RH
Stabilator Cable Kit P/N BCKT-01-STB		
1	MCNAS30245-2053	Stabilator Tab
1	MCNAS31424-0870	Stabilator
1	MCNAS31424-1152	Stabilator
1	MCNAS31425-0820	Stabilator
1	MCNAS31425-1411	Stabilator/Elevator Fwd
Model 24 Musketeer, Sierra A24R, B24R, C24R		
Aileron Cable Kit P/N BCKT-13-AIL		
2	MCNAS31427-1180	Aileron
1	MCNAS31427-1370	Aileron LH
1	MCNAS31426-1170	Aileron RH
Rudder Cable Kit P/N BCKT-09-RUD		
1	MCNAS31425-1220	Rudder Fwd LH
1	MCNAS31424-1242	Rudder Fwd RH
1	MCNAS31424-0934	Rudder Aft LH
1	MCNAS31425-0931	Rudder Aft RH
Stabilator Cable Kit P/N BCKT-02-STB		
1	MCNAS31424-1340	Stabilator
1	MCNAS31425-0820	Stabilator
1	MCNAS31425-1345	Stabilator
1	MCNAS31424-0870	Stabilator
1	MCNAS30245-2053	Stabilator Tab
Model 33 Debonair and Bonanza 35-33		
Complete Kit P/N BCKT33-01		
Qty	Part Number	Location
Aileron Cable Kit P/N BCKT-05-AIL		
1	MCNAS30422-0255	Aileron
1	MCNAS30426-0603	Aileron
1	MCNAS30466-0173	Aileron
2	MC36-521011-1	Aileron Aft
2	MC36-521011-3	Aileron Fwd
1	MC35-524314 ²	Aileron
Elevator Cable Kit P/N BCKT-13-ELE		
2	MC33-524000-17	Elevator Fwd
1	MC33-524000-47 ²	Elevator Tab
1	MC36-524000-31 ²	Elevator Tab LH
1	MC36-524000-29 ²	Elevator Tab RH
2	MCNAS30435-0564	Elevator
2	MCNAS31237-0790	Elevator Tab
1	35-524531-2 ⁴	Indicator Actuating
Rudder Cable Kit P/N BCKT-07-RUD		
2	MCNAS30435-1325	Rudder Fwd
2	New! MC33-524000-31	Rudder Aft
Model 33 Debonair and Bonanza 35-A33		
Complete Kit P/N BCKT33-02		
Qty	Part Number	Location
2	New! MC35-815109	Landing Gear Up Lock
Aileron Cable Kit P/N BCKT-05-AIL		
1	MCNAS30422-0255	Aileron
1	MCNAS30426-0603	Aileron
1	MCNAS30466-0173	Aileron
2	MC36-521011-1	Aileron Aft
2	MC36-521011-3	Aileron Fwd
1	MC35-524314 ²	Aileron
Elevator Cable Kit P/N BCKT-14-ELE		
1	MC33-524000-61	Elevator Down
1	MC36-524000-31 ²	Elevator Tab LH
1	MC36-524000-29 ²	Elevator Tab RH
1	MCNAS30266-3242	Elevator Tab
2	MCNAS30435-0564	Elevator
2	MCNAS31237-0790	Elevator Tab
1	MCNAS30434-1520	Elevator Up
1	35-524351-2 ⁴	Indicator Actuating
Rudder Cable Kit P/N BCKT-07-RUD		
2	MCNAS30435-1325	Rudder Fwd
2	New! MC33-524000-31	Rudder Aft

Model 33 Debonair and Bonanza 35-B33, 35-C33, 35-C33A, E33 S/N CD-388 thru CD-1234, Except 982, CE-1 thru CE-27 Complete Kit P/N BCKT33-03		
Qty	Part Number	Location
1	35-524647-9 ⁴	Indicator Actuating
Aileron Cable Kit P/N BCKT-05-AIL		
1	MCNAS30422-0255	Aileron
1	MCNAS30426-0603	Aileron
1	MCNAS30466-0173	Aileron
2	MC36-521011-1	Aileron Aft
2	MC36-521011-3	Aileron Fwd
1	MC35-524314 ²	Aileron
Elevator Cable Kit P/N BCKT-19-ELE		
1	MC33-524000-61	Elevator Down
1	MC33-524001-1 ²	Elevator Tab
1	MC36-524000-29 ²	Elevator Tab RH
1	MC36-524000-31 ²	Elevator Tab LH
1	MCNAS30434-1520	Elevator Up
2	MCNAS30435-0564	Elevator
2	MCNAS31237-0790	Elevator Tab
Rudder Cable Kit P/N BCKT-07-RUD		
2	MCNAS30435-1325	Rudder Fwd
2	New! MC33-524000-31	Rudder Aft
2	New! MC35-815109	Landing Gear Up Lock
Model 33 Debonair and Bonanza 35-C33A, E33A, F33, F33A, G33 S/N CE-028 thru CE-315, CD-1235 thru CD-1304 Complete Kit P/N BCKT33-04		
Qty	Part Number	Location
2	New! MC35-815109	Landing Gear Up Lock
Aileron Cable Kit P/N BCKT-05-AIL		
1	MCNAS30422-0255	Aileron
1	MCNAS30426-0603	Aileron
1	MCNAS30466-0173	Aileron
2	MC36-521011-1	Aileron Aft
2	MC36-521011-3	Aileron Fwd
1	MC35-524314 ²	Aileron
Elevator Cable Kit P/N BCKT-18-ELE		
1	MC33-524000-61	Elevator Down
1	MC36-524000-31 ²	Elevator Tab LH
1	MC36-524000-29 ²	Elevator Tab RH
2	MCNAS30435-0564	Elevator
2	MCNAS31237-0790	Elevator Tab
1	MCNAS30434-1520	Elevator Up
1	33-524001-7 ⁴	Elevator Tab
1	35-524647-9 ⁴	Indicator Actuating
Rudder Cable Kit P/N BCKT-07-RUD		
2	MCNAS30435-1325	Rudder Fwd
2	New! MC33-524000-31	Rudder Aft
Model 33 Debonair and Bonanza E33C S/N CJ-001 thru CJ-025 Complete Kit P/N BCKT33-13		
Qty	Part Number	Location
2	New! MC35-815109	Landing Gear Up Lock
2	NAS30435-1325 ⁴	Rudder Fwd
2	35-524000-67 ⁴	Rudder Aft
Aileron Cable Kit P/N BCKT-05-AIL		
1	MCNAS30422-0255	Aileron
1	MCNAS30426-0603	Aileron
1	MCNAS30466-0173	Aileron
2	MC36-521011-1	Aileron Aft
2	MC36-521011-3	Aileron Fwd
1	MC35-524314 ²	Aileron
Elevator Cable Kit P/N BCKT-19-ELE		
1	MC33-524000-61	Elevator Down
1	MC36-524000-29 ²	Elevator Tab RH
1	MC36-524000-31 ²	Elevator Tab LH
1	MCNAS30434-1520	Elevator Up
2	MCNAS30435-0564	Elevator
2	MCNAS31237-0790	Elevator
1	33-524001-7 ⁴	Elevator Tab Control
1	35-524647-9 ⁴	Indicator Actuating
Model 33 Debonair and Bonanza F33A S/N CE-316 thru CE-510 Complete Kit P/N BCKT33-05		
Qty	Part Number	Location
2	New! MC35-815109	Landing Gear Up Lock
Aileron Cable Kit P/N BCKT-05-AIL		
1	MCNAS30422-0255	Aileron
1	MCNAS30426-0603	Aileron
1	MCNAS30466-0173	Aileron
2	MC36-521011-1	Aileron Aft
2	MC36-521011-3	Aileron Fwd
1	MC35-524314 ²	Aileron
Elevator Cable Kit P/N BCKT-19-ELE		
1	MC33-524000-61	Elevator Down
1	MC36-524000-29 ²	Elevator Tab RH
1	MC36-524000-31 ²	Elevator Tab LH
1	MCNAS30434-1520	Elevator Up
2	MCNAS30435-0564	Elevator
2	MCNAS31237-0790	Elevator
1	33-524001-7 ⁴	Elevator Tab Control
1	35-524647-9 ⁴	Indicator Actuating
Model 33 Debonair and Bonanza F33A S/N CE-511 thru CE-677 Complete Kit P/N BCKT33-06		
Qty	Part Number	Location
2	New! MC35-815109	Landing Gear Up Lock
2	MC002-524000-23	Rudder
1	NAS304-35-1594 ⁴	Rudder
1	NAS304-35-1600 ⁴	Rudder
Aileron Cable Kit P/N BCKT-05-AIL		
1	MCNAS30422-0255	Aileron
1	MCNAS30426-0603	Aileron
1	MCNAS30466-0173	Aileron
2	MC36-521011-1	Aileron Aft
2	MC36-521011-3	Aileron Fwd
1	MC35-524314 ²	Aileron
Elevator Cable Kit P/N BCKT-16-ELE		
1	MC33-524029	Elevator Down
1	MC36-524000-29 ²	Elevator Tab RH
1	MC36-524000-31 ²	Elevator Tab LH
1	MCNAS30434-1520	Elevator Up
2	MCNAS30435-0564	Elevator
1	MCNAS31237-0284	Elevator Tab
1	MCNAS31237-0520	Elevator Tab
1	New! MC002-524028-3	Elevator Tab
1	35-524647-9 ⁴	Indicator Actuating
Model 33 Debonair and Bonanza F33A S/N CE-678 thru CE-680 Complete Kit P/N BCKT33-07		
Qty	Part Number	Location
2	New! MC35-815109	Landing Gear Up Lock
2	MC002-524000-23	Rudder
1	NAS304-35-1594 ⁴	Rudder
1	NAS304-35-1600 ⁴	Rudder
Aileron Cable Kit P/N BCKT-05-AIL		
1	MCNAS30422-0255	Aileron
1	MCNAS30426-0603	Aileron
1	MCNAS30466-0173	Aileron
2	MC36-521011-1	Aileron Aft
2	MC36-521011-3	Aileron Fwd
1	MC35-524314 ²	Aileron
Elevator Cable Kit P/N BCKT-17-ELE		
1	MC002-524028-23 ²	Elevator Tab
1	MC33-524029	Elevator Down
1	MC36-524000-29 ²	Elevator Tab RH
1	MC36-524000-31 ²	Elevator Tab LH
1	MCNAS30434-1520	Elevator Up
2	MCNAS30435-0564	Elevator
1	MCNAS31237-0204	Elevator Tab
1	MCNAS31237-0520	Elevator Tab
1	35-524647-9 ⁴	Indicator Actuating
Model 33 Debonair and Bonanza F33A S/N CE-681 thru CE-999 Complete Kit P/N BCKT33-08		
Qty	Part Number	Location
2	New! MC35-815109	Landing Gear Up Lock
2	MC002-524000-23	Rudder
1	NAS304-35-1594 ⁴	Rudder
1	NAS304-35-1600 ⁴	Rudder
Aileron Cable Kit P/N BCKT-08-AIL		
1	MC35-524314-22 ²	Aileron Fuselage
1	MCNAS30422-0255	Aileron
1	NAS304-26-0964 ⁴	Aileron

Continued from previous column Model 33 Debonair and Bonanza F33A S/N CE-316 thru CE-510 Complete Kit P/N BCKT33-05		
Qty	Part Number	Location
Elevator Cable Kit P/N BCKT-15-ELE		
1	MC33-524028	Elevator Down
2	MC33-524029	Elevator Down
1	MC36-524000-29 ²	Elevator Tab RH
1	MC36-524000-31 ²	Elevator Tab LH
1	MCNAS30434-1520	Elevator Up
2	MCNAS30435-0564	Elevator
2	MCNAS31237-0534	Elevator Tab
1	35-524647-9 ⁴	Indicator Actuating
Rudder Cable Kit P/N BCKT-08-RUD		
2	MCNAS30435-1321	Rudder Fwd
2	New! MC33-524000-31	Rudder Aft
Model 33 Debonair and Bonanza F33A S/N CE-511 thru CE-677 Complete Kit P/N BCKT33-06		
Qty	Part Number	Location
2	New! MC35-815109	Landing Gear Up Lock
2	MC002-524000-23	Rudder
1	NAS304-35-1594 ⁴	Rudder
1	NAS304-35-1600 ⁴	Rudder
Aileron Cable Kit P/N BCKT-05-AIL		
1	MCNAS30422-0255	Aileron
1	MCNAS30426-0603	Aileron
1	MCNAS30466-0173	Aileron
2	MC36-521011-1	Aileron Aft
2	MC36-521011-3	Aileron Fwd
1	MC35-524314 ²	Aileron
Elevator Cable Kit P/N BCKT-16-ELE		
1	MC33-524029	Elevator Down
1	MC36-524000-29 ²	Elevator Tab RH
1	MC36-524000-31 ²	Elevator Tab LH
1	MCNAS30434-1520	Elevator Up
2	MCNAS30435-0564	Elevator
1	MCNAS31237-0284	Elevator Tab
1	MCNAS31237-0520	Elevator Tab
1	New! MC002-524028-3	Elevator Tab
1	35-524647-9 ⁴	Indicator Actuating
Model 33 Debonair and Bonanza F33A S/N CE-678 thru CE-680 Complete Kit P/N BCKT33-07		
Qty	Part Number	Location
2	New! MC35-815109	Landing Gear Up Lock
2	MC002-524000-23	Rudder
1	NAS304-35-1594 ⁴	Rudder
1	NAS304-35-1600 ⁴	Rudder
Aileron Cable Kit P/N BCKT-05-AIL		
1	MCNAS30422-0255	Aileron
1	MCNAS30426-0603	Aileron
1	MCNAS30466-0173	Aileron
2	MC36-521011-1	Aileron Aft
2	MC36-521011-3	Aileron Fwd
1	MC35-524314 ²	Aileron
Elevator Cable Kit P/N BCKT-17-ELE		
1	MC002-524028-23 ²	Elevator Tab
1	MC33-524029	Elevator Down
1	MC36-524000-29 ²	Elevator Tab RH
1	MC36-524000-31 ²	Elevator Tab LH
1	MCNAS30434-1520	Elevator Up
2	MCNAS30435-0564	Elevator
1	MCNAS31237-0204	Elevator Tab
1	MCNAS31237-0520	Elevator Tab
1	35-524647-9 ⁴	Indicator Actuating
Model 33 Debonair and Bonanza F33A S/N CE-681 thru CE-999 Complete Kit P/N BCKT33-08		
Qty	Part Number	Location
2	New! MC35-815109	Landing Gear Up Lock
2	MC002-524000-23	Rudder
1	NAS304-35-1594 ⁴	Rudder
1	NAS304-35-1600 ⁴	Rudder
Aileron Cable Kit P/N BCKT-08-AIL		
1	MC35-524314-22 ²	Aileron Fuselage
1		



Flight Control System

Continued from previous page

Model 33 Debonair and Bonanza
F33A
S/N CE-681 thru CE-999

Complete Kit P/N BCKT33-08

Qty	Part Number	Location
1	NAS304-66-1035 ⁴	Aileron
2	MCNAS30537-0647	Aileron Aft
2	MCNAS30537-0667	Aileron Fwd

Elevator Cable Kit
P/N BCKT-17-ELE

1	MC002-524028-23 ²	Elevator Tab
1	MC33-524029	Elevator Down
1	MC36-524000-29 ²	Elevator Tab RH
1	MC36-524000-31 ²	Elevator Tab LH
1	MCNAS30434-1520	Elevator Up
2	MCNAS30435-0564	Elevator
1	MCNAS31237-0204	Elevator Tab
1	MCNAS31237-0520	Elevator Tab
1	35-524647-9 ⁴	Indicator Actuating

Model 33 Debonair and Bonanza
F33C
S/N CJ-026 thru CJ-128

Complete Kit P/N BCKT33-09

Qty	Part Number	Location
2	New! MC35-815109	Landing Gear Up Lock
2	MCNAS30435-1325	Rudder Fwd
2	33-524000-67 ⁴	Rudder Aft

Aileron Cable Kit
P/N BCKT-05-AIL

1	MCNAS30422-0255	Aileron
1	MCNAS30426-0603	Aileron
1	MCNAS30466-0173	Aileron
2	MC36-521011-1	Aileron Aft
2	MC36-521011-3	Aileron Fwd
1	MC35-524314 ²	Aileron

Elevator Cable Kit
P/N BCKT-18-ELE

1	MC33-524000-61	Elevator Down
1	MC36-524000-29 ²	Elevator Tab RH
1	MC36-524000-31 ²	Elevator Tab LH
1	MCNAS30434-1520	Elevator Up
2	MCNAS30435-0564	Elevator
2	MCNAS31237-0790	Elevator
1	33-524001-7 ⁴	Elevator Tab Control
1	35-524647-9 ⁴	Indicator Actuating

Model 33 Debonair and Bonanza
F33C
S/N CJ-129 thru CJ-999

Complete Kit P/N BCKT33-10

Qty	Part Number	Location
2	New! MC35-815109	Landing Gear Up Lock
2	MCNAS30435-1325	Rudder Fwd
2	33-524000-67 ⁴	Rudder Aft

Aileron Cable Kit
P/N BCKT-08-AIL

1	MC35-524314-22 ²	Aileron Fuselage
1	MCNAS30422-0255	Aileron
1	NAS304-26-0964 ⁴	Aileron
1	NAS304-66-1035 ⁴	Aileron
2	MCNAS30537-0647	Aileron Aft
2	MCNAS30537-0667	Aileron Fwd

Elevator Cable Kit
P/N BCKT-18-ELE

1	MC33-524000-61	Elevator Down
1	MC36-524000-29 ²	Elevator Tab RH
1	MC36-524000-31 ²	Elevator Tab LH
1	MCNAS30434-1520	Elevator Up
2	MCNAS30435-0564	Elevator
2	MCNAS31237-0790	Elevator
1	33-524001-7 ⁴	Elevator Tab Control
1	35-524647-9 ⁴	Indicator Actuating

Model 35 Bonanza
S/N D-0001 thru D-0014

Complete Kit P/N BCKT35-15

Qty	Part Number	Location
1	35-524174 ⁴	Cable Assy, Fwd Aileron

Aileron Cable Kit
P/N BCKT-07-AIL

1	MCNAS30422-0256	Aileron Fwd LH
1	MCNAS30424-0397	Aileron Center LH
1	MCNAS305-35-0546	Aileron, Upper LH
1	MCNAS305-25-0546	Aileron, Upper RH
1	MCNAS305-34-0514	Aileron, Lower LH
2	MCNAS305-24-0514	Aileron Lower RH
2	MCNAS305-34-0640	Cable
2	MCNAS305-35-0672	Cable
1	MCNAS31415-0152	Aileron Aft LH
1	MCNAS31415-0472	Aileron Aft RH

Elevator Cable Kit
P/N BCKT-11-ELE

4	MC35-524004	Elevator Fwd
1	MCNAS30227-0590	Tab Actuating
1	MCNAS30266-3636	Elevator Trim Tab Fwd
1	MCNAS30425-0082	Elevator Aft
1	MCNAS30436-0197	Elevator Aft
1	MC35-524004	Elevator Fwd
1	35-524030 ⁴	Tab Drum
1	35-524294 ⁴	Cable Assy, Bungee
1	35-524531-2 ⁴	Indicator Actuating

Model 35 Bonanza
S/N D-0015 thru D-1500

Complete Kit P/N BCKT35-01

Qty	Part Number	Location
1	35-524174 ⁴	Cable Assy, Fwd Aileron

Aileron Cable Kit
P/N BCKT-07-AIL

1	MCNAS30422-0256	Aileron Fwd LH
1	MCNAS30424-0397	Aileron Center LH
1	MCNAS305-35-0546	Aileron, Upper LH
1	MCNAS305-25-0546	Aileron, Upper RH
1	MCNAS305-34-0514	Aileron, Lower LH
1	MCNAS305-24-0514	Aileron Lower RH
2	MCNAS305-34-0640	Cable
2	MCNAS305-35-0672	Cable
1	MCNAS31415-0152	Aileron Aft LH
1	MCNAS31415-0472	Aileron Aft RH

Elevator Cable Kit
P/N BCKT-01-ELE

1	MC35-524004	Elevator Fwd
4	MCNAS30227-0590	Tab Actuating
1	MCNAS30266-3500	Elevator Trim Tab Fwd
1	MCNAS30425-0082	Elevator Aft
1	MCNAS30436-0197	Elevator Aft
1	35-524030 ⁴	Tab Drum
1	35-524294 ⁴	Bungee
1	35-524531-2 ⁴	Indicator Actuating

Rudder Cable Kit
P/N BCKT-05-RUD

1	MCNAS30425-0100	Rudder Aft RH
1	MCNAS30425-0106	Rudder Aft LH
1	MCNAS30433-0255	Rudder Aft
2	MCNAS31414-1875	Rudder FWD

Model 35 Bonanza
A35, B35
S/N D-1501 thru D-2680

Complete Kit P/N BCKT35-02

Qty	Part Number	Location
1	35-524174 ⁴	Cable Assy, Fwd Aileron

Aileron Cable Kit
P/N BCKT-06-AIL

1	MCNAS30422-0256	Aileron Fwd LH
1	MCNAS30424-0610	Aileron Center RH
1	MCNAS30426-0603	Aileron
1	MCNAS30466-0170	Aileron Center
2	MC35-521188	Aileron
2	MC35-521189	Aileron
1	MC35-524314 ²	Cable/Chain, Aileron

Elevator Cable Kit
P/N BCKT-01-ELE

4	MCNAS30227-0590	Tab Actuating
1	MCNAS30266-3500	Elevator Trim Tab Fwd
1	MCNAS30425-0082	Elevator Aft
1	MCNAS30436-0197	Elevator Aft
1	MC35-524004	Elevator Fwd
1	35-524030 ⁴	Tab Drum
1	35-524294 ⁴	Cable Assy, Bungee
1	35-524531-2 ⁴	Indicator Actuating

Rudder Cable Kit
P/N BCKT-05-RUD

1	MCNAS30425-0100	Rudder Aft RH
1	MCNAS30425-0106	Rudder Aft LH
1	MCNAS30433-0255	Rudder Aft
2	MCNAS31414-1875	Rudder Fwd

Model 35 Bonanza
C35, D35, E35, F35, G35
S/N D-2681 thru D-4865

Complete Kit P/N BCKT35-03

Qty	Part Number	Location
1	35-524174 ⁴	Cable Assy, Fwd Aileron

Aileron Cable Kit
P/N BCKT-05-AIL D35, E35

1	MCNAS30422-0255	Aileron
1	MCNAS30426-0603	Aileron
1	MCNAS30466-0173	Aileron
2	MC36-521011-1	Aileron
2	MC36-521011-3	Aileron
1	MC35-524314 ²	Cable/Chain, Aileron

P/N BCKT-06-AIL C35, F35, G35

1	MCNAS30422-0256	Aileron Fwd LH
1	MCNAS30424-0610	Aileron Center RH

Kit continues in next column

Continued from previous column

Model 35 Bonanza
C35, D35, E35, F35, G35
S/N D-2681 thru D-4865

Complete Kit P/N BCKT35-03

Qty	Part Number	Location
1	MCNAS30426-0603	Aileron
1	MCNAS30466-0170	Aileron Center
2	MC35-521188	Aileron
2	MC35-521189	Aileron
1	MC35-524314 ²	Cable/Chain, Aileron

Elevator Cable Kit
P/N BCKT-02-ELE

1	MC35-524385	Elevator Fwd
1	MCNAS30266-3500	Elevator Trim Tab Fwd
1	MCNAS30266-3636	Elevator Trim Tab Fwd
4	MCNAS30327-0590	Tab Actuating
1	MCNAS30425-0082	Elevator Aft
1	MCNAS30436-0197	Elevator Aft
1	New! MC35-524383-4	Cable Assy, Bungee
1	35-524030 ⁴	Tab Drum
1	35-524531-2 ⁴	Indicator Actuating

Rudder Cable Kit
P/N BCKT-05-RUD

1	MCNAS30425-0100	Rudder Aft RH
1	MCNAS30425-0106	Rudder Aft LH
1	MCNAS30433-0255	Rudder Aft
2	MCNAS31414-1875	Rudder Fwd

Model 35 Bonanza
H35, J35
S/N D-4866 thru D-5725

Complete Kit P/N BCKT35-04

Qty	Part Number	Location
1	35-524030 ⁴	Tab Drum
1	35-524531-2 ⁴	Indicator Actuating

Aileron Cable Kit
P/N BCKT-05-AIL

1	MCNAS30422-0255	Aileron
1	MCNAS30426-0603	Aileron
1	MCNAS30466-0173	Aileron
2	MC36-521011-1	Aileron
2	MC36-521011-3	Aileron
1	MC35-524314 ²	Cable/Chain, Aileron

Elevator Cable Kit
P/N BCKT-03-ELE

1	MCNAS30266-3506	Elevator Trim Tab
1	MCNAS30327-0581	Elevator Trim
1	MCNAS30327-0587	Elevator Trim
1	MCNAS30327-0597	Elevator Trim
1	MCNAS30327-0605	Elevator Trim
1	MCNAS30425-0082	Elevator Aft
1	MCNAS30436-0197	Elevator Aft
1	MC35-524382	Elevator Tab Aft
1	MC35-524385	Elevator Fwd
1	New! MC35-524383-4	Cable Assy, Bungee
1	35-524030 ⁴	Tab Drum
1	35-524531-2 ⁴	Indicator Actuating

Rudder Cable Kit
P/N BCKT-05-RUD

1	MCNAS30425-0100	Rudder Aft RH
1	MCNAS30425-0106	Rudder Aft LH
1	MCNAS30433-0255	Rudder Aft
2	MCNAS31414-1875	Rudder Fwd

Model 35 Bonanza
K35¹
S/N D-5726 thru D-5727, D-5729 thru D-5747

Complete Kit P/N BCKT35-05

Qty	Part Number	Location
1	35-524030 ⁴	Tab Drum
1	35-524531-2 ⁴	Indicator Actuating

Aileron Cable Kit
P/N BCKT-05-AIL

1	MCNAS30422-0255	Aileron
1	MCNAS30426-0603	Aileron
1	MCNAS30466-0173	Aileron
2	MC36-521011-1	Aileron
2	MC36-521011-3	Aileron
1	MC35-524314 ²	Cable/Chain, Aileron

Elevator Cable Kit
P/N BCKT-03-ELE

1	MC35-524385	Elevator Fwd
1	MCNAS30266-3506	Elevator Trim Tab
1	MCNAS30327-0581	Elevator Trim
1	MCNAS30327-0587	Elevator Trim
1	MCNAS30327-0597	Elevator Trim
1	MCNAS30327-0605	Elevator Trim
1	MCNAS30425-0082	Elevator Aft
1	MCNAS30436-0197	Elevator Aft
1	MC35-524382	Elevator Tab Aft
1	New! MC35-524383-4	Cable Assy, Bungee
1	35-524030 ⁴	Tab Drum
1	35-524531-2 ⁴	Indicator Actuating

Kit continues on next page

¹ Partial model eligibility
² Cable/Chain assembly
³ Pending FAA-PMA approval
⁴ Not available from McFarlane

Kit continues in next column



Flight Control System

Flight Control Cables - Beechcraft



Flight Control System

<i>Continued from previous page</i>		
Model 35 Bonanza K35 1 S/N D-5726 thru D-5727, D-5729 thru D-5747 Complete Kit P/N BCKT35-05		
Qty	Part Number	Location
Rudder Cable Kit P/N BCKT-06-RUD		
2	MCNAS30425-0106	Rudder Aft LH and RH
1	MCNAS30433-0247	Rudder Aft
2	MCNAS31514-1871	Rudder Fwd
Model 35 Bonanza K35 1 , M35 S/N D-5728, D-5748 thru D-6561 Complete Kit P/N BCKT35-06		
Qty	Part Number	Location
Aileron Cable Kit P/N BCKT-05-AIL		
1	MCNAS30422-0255	Aileron
1	MCNAS30426-0603	Aileron
1	MCNAS30466-0173	Aileron
2	MC36-521011-1	Aileron
2	MC36-521011-3	Aileron
1	MC35-524314 2	Cable/Chain, Aileron
Elevator Cable Kit P/N BCKT-04-ELE		
1	MCNAS30266-3506	Elevator Trim Tab
1	MCNAS30327-0581	Elevator Trim
1	MCNAS30327-0587	Elevator Trim
1	MCNAS30327-0597	Elevator Trim
1	MCNAS30327-0605	Elevator Trim
1	MCNAS30425-0082	Elevator Aft
1	MCNAS30436-0197	Elevator Aft
1	MC35-524382	Elevator Tab Aft
1	35-524030 2	Tab Drum
1	New! MC35-524383-4	Cable Assy, Bungee
1	New! MC35-524385-4	Elevator Control Fwd
1	35-524531-2 4	Indicator Actuating
Rudder Cable Kit P/N BCKT-06-RUD		
2	MCNAS30425-0106	Rudder Aft LH and RH
1	MCNAS30433-0247	Rudder Aft
2	MCNAS31514-1871	Rudder Fwd
Model 35 Bonanza N35 1 S/N D-6562 thru D-6841 Complete Kit P/N BCKT35-07		
Qty	Part Number	Location
Aileron Cable Kit P/N BCKT-05-AIL		
1	MCNAS30422-0255	Aileron
1	MCNAS30426-0603	Aileron
1	MCNAS30466-0173	Aileron
2	MC36-521011-1	Aileron
2	MC36-521011-3	Aileron
1	MC35-524314 2	Cable/Chain, Aileron
Elevator Cable Kit P/N BCKT-05-ELE		
1	MCNAS30266-3506	Elevator Trim Tab
1	MCNAS30327-0581	Elevator Trim
1	MCNAS30327-0587	Elevator Trim
1	MCNAS30327-0597	Elevator Trim
1	MCNAS30327-0605	Elevator Trim
1	MCNAS30425-0082	Elevator Aft
1	MCNAS30435-2087	Elevator
1	MCNAS30436-0197	Elevator Aft
1	MC35-524382	Elevator Tab Aft
1	35-524000-3 2	Elevator
1	35-524030 2	Tab Drum
1	New! MC35-524383-4	Cable Assy, Bungee
1	35-524531-2 4	Indicator Actuating
Rudder Cable Kit P/N BCKT-06-RUD		
2	MCNAS30425-0106	Rudder Aft LH and RH
1	MCNAS30433-0247	Rudder Aft
2	MCNAS31514-1871	Rudder Fwd
Model 35 Bonanza P35 S/N D-6842 thru D-7309, except D-7140 Complete Kit P/N BCKT35-09		
Qty	Part Number	Location
Aileron Cable Kit P/N BCKT-05-AIL		
1	MCNAS30422-0255	Aileron
1	MCNAS30426-0603	Aileron
1	MCNAS30466-0173	Aileron
2	MC36-521011-1	Aileron
2	MC36-521011-3	Aileron
1	MC35-524314 2	Cable/Chain, Aileron
Elevator Cable Kit P/N BCKT-06-ELE		
1	MCNAS30266-3506	Elevator Trim Tab
1	MCNAS30327-0581	Elevator Trim
1	MCNAS30327-0587	Elevator Trim
1	MCNAS30327-0597	Elevator Trim
1	MCNAS30327-0605	Elevator Trim
1	MCNAS30425-0082	Elevator Aft
1	MCNAS30435-2087	Elevator
1	MCNAS30436-0197	Elevator Aft
1	MC1781-2	Elevator Trim
1	MC35-524382	Elevator Tab Aft
1	MC35-524651-1	Elevator
1	New! MC35-524383-4	Cable Assy, Bungee
1	35-524647-9 2	Indicator Actuating
Rudder Cable Kit P/N BCKT-06-RUD		
2	MCNAS30425-0106	Rudder Aft LH & RH
1	MCNAS30433-0247	Rudder Aft
2	MCNAS31514-1871	Rudder Fwd
Model 35 Bonanza S35, V35, V35TC, V35A, & V35ATC S/N D-8841 thru D-9068 with Electric Trim Complete Kit P/N BCKT35-12		
Qty	Part Number	Location
Aileron Cable Kit P/N BCKT-05-AIL		
1	MCNAS30422-0255	Aileron
1	MCNAS30426-0603	Aileron
1	MCNAS30466-0173	Aileron
2	MC36-521011-1	Aileron
2	MC36-521011-3	Aileron
1	MC35-524314 2	Cable/Chain, Aileron
Elevator Cable Kit P/N BCKT-06-ELE		
1	MCNAS30266-3506	Elevator Trim Tab
1	MCNAS30327-0581	Elevator Trim
1	MCNAS30327-0587	Elevator Trim
1	MCNAS30327-0597	Elevator Trim
1	MCNAS30327-0605	Elevator Trim
1	MCNAS30425-0082	Elevator Aft
1	MCNAS30435-2087	Elevator
1	MCNAS30436-0197	Elevator Aft
1	MC1781-2	Elevator Trim
1	MC35-524382	Elevator Tab Aft
1	MC35-524651-1	Elevator
1	New! MC35-524383-4	Cable Assy, Bungee
1	35-524647-9 2	Indicator Actuating
Rudder Cable Kit P/N BCKT-06-RUD		
2	MCNAS30425-0106	Rudder Aft LH & RH
1	MCNAS30433-0247	Rudder Aft
2	MCNAS31514-1871	Rudder Fwd

<i>Continued from Previous Column</i>		
Model 35 Bonanza P35 S/N D-6842 thru D-7309, except D-7140 Complete Kit P/N BCKT35-09		
Qty	Part Number	Location
Rudder Cable Kit P/N BCKT-06-RUD		
1	MCNAS30327-0605	Elevator Trim
1	MCNAS30425-0082	Elevator Aft
1	MCNAS30435-2087	Elevator
1	MCNAS30436-0197	Elevator Aft
1	MC35-524382	Elevator Tab Aft
1	MC35-524651-1	Elevator
1	35-524030 2	Tab Drum
1	New! MC35-524383-4	Cable Assy, Bungee
1	35-524647-9 2	Indicator Actuating
Rudder Cable Kit P/N BCKT-06-RUD		
2	MCNAS30425-0106	Rudder Aft LH and RH
1	MCNAS30433-0247	Rudder Aft
2	MCNAS31514-1871	Rudder Fwd
Model 35 Bonanza S35, V35, V35TC, V35A, & V35ATC S/N D-7140 and D-7310 thru D-8840 Complete Kit P/N BCKT35-10		
Qty	Part Number	Location
Aileron Cable Kit P/N BCKT-05-AIL		
1	MCNAS30422-0255	Aileron
1	MCNAS30426-0603	Aileron
1	MCNAS30466-0173	Aileron
2	MC36-521011-1	Aileron
2	MC36-521011-3	Aileron
1	MC35-524314 2	Cable/Chain, Aileron
Elevator Cable Kit P/N BCKT-07-ELE		
1	MCNAS30266-3950	Elevator Trim
1	MCNAS30327-0581	Elevator Trim
1	MCNAS30327-0587	Elevator Trim
1	MCNAS30327-0597	Elevator Trim
1	MCNAS30327-0605	Elevator Trim
1	MCNAS30425-0082	Elevator Aft
1	MCNAS30435-2087	Elevator
1	MCNAS30436-0197	Elevator Aft
1	MC1781-2	Elevator Trim
1	MC35-524382	Elevator Tab Aft
1	MC35-524651-1	Elevator
1	New! MC35-524383-4	Cable Assy, Bungee
1	35-524647-9 2	Indicator Actuating
Rudder Cable Kit P/N BCKT-06-RUD		
2	MCNAS30425-0106	Rudder Aft LH and RH
2	MCNAS31514-1871	Rudder Fwd
1	MCNAS30433-0247	Rudder Aft
Model 35 Bonanza V35A, V35A-TC S/N D-8841 thru D-9068 without Electric Trim Complete Kit P/N BCKT35-16		
Qty	Part Number	Location
Aileron Cable Kit P/N BCKT-05-AIL		
1	MCNAS30422-0255	Aileron
1	MCNAS30426-0603	Aileron
1	MCNAS30466-0173	Aileron
2	MC36-521011-1	Aileron
2	MC36-521011-3	Aileron
1	MC35-524314 2	Cable/Chain, Aileron
Elevator Cable Kit P/N BCKT-07-ELE		
1	MCNAS30266-3950	Elevator Trim
1	MCNAS30327-0581	Elevator Trim
1	MCNAS30327-0587	Elevator Trim
1	MCNAS30327-0597	Elevator Trim
1	MCNAS30327-0605	Elevator Trim
1	MCNAS30425-0082	Elevator Aft
1	MCNAS30435-2087	Elevator
1	MCNAS30436-0197	Elevator Aft
1	MC1781-2	Elevator Trim
1	MC35-524382	Elevator Tab Aft
1	MC35-524651-1	Elevator
1	New! MC35-524383-4	Cable Assy, Bungee
1	35-524647-9 2	Indicator Actuating
Rudder Cable Kit P/N BCKT-06-RUD		
2	MCNAS30425-0106	Rudder Aft LH & RH
1	MCNAS30433-0247	Rudder Aft
2	MCNAS31514-1871	Rudder Fwd
Model 35 Bonanza S35, V35, V35TC, V35A, & V35ATC S/N D-8841 thru D-9068 with Electric Trim Complete Kit P/N BCKT35-12		
Qty	Part Number	Location
Aileron Cable Kit P/N BCKT-05-AIL		
1	MCNAS30422-0255	Aileron
1	MCNAS30426-0603	Aileron

<i>Continued from Previous Column</i>		
Model 35 Bonanza S35, V35, V35TC, V35A, & V35ATC S/N D-8841 thru D-9068 with Electric Trim Complete Kit P/N BCKT35-12		
Qty	Part Number	Location
Elevator Cable Kit P/N BCKT-10-ELE for V35A, V35A-TC w/Electric Trim		
1	MCNAS30266-3950	Elevator Trim
1	MCNAS30327-0581	Elevator Trim
1	MCNAS30327-0587	Elevator Trim
1	MCNAS30327-0597	Elevator Trim
1	MCNAS30327-0605	Elevator Trim
1	MCNAS30425-0082	Elevator Aft
1	MCNAS30435-2087	Elevator
1	MCNAS30436-0197	Elevator Aft
1	MC35-524382	Elevator Tab Aft
1	New! MC35-524670	Elevator Trim Tab
1	MC35-524651-1	Elevator
1	New! MC35-524383-4	Cable Assy, Bungee
1	35-524647-9 2	Indicator Actuating
Rudder Cable Kit P/N BCKT-06-RUD		
2	MCNAS30425-0106	Rudder Aft LH and RH
2	MCNAS31514-1871	Rudder Fwd
1	MCNAS30433-0247	Rudder Aft
Model 35 Bonanza V35B, & V35BTC S/N D-9069 thru D-10119 with Electric Trim Complete Kit P/N BCKT35-11		
Qty	Part Number	Location
Aileron Cable Kit P/N BCKT-05-AIL		
1	MCNAS30422-0255	Aileron
1	MCNAS30426-0603	Aileron
1	MCNAS30466-0173	Aileron
2	MC36-521011-1	Aileron
2	MC36-521011-3	Aileron
1	MC35-524314 2	Cable/Chain, Aileron
Elevator Cable Kit P/N BCKT-08-ELE		
1	MCNAS30266-3954	Elevator Trim
1	MCNAS30327-0581	Elevator Trim
1	MCNAS30327-0587	Elevator Trim
1	MCNAS30327-0597	Elevator Trim
1	MCNAS30327-0605	Elevator Trim
1	MCNAS30425-0082	Elevator Aft
1	MCNAS30435-2087	Elevator
1	MCNAS30436-0197	Elevator Aft
1	MC35-524382	Elevator Tab Aft
1	New! MC35-524670	Elevator Trim Tab
1	MC35-524651-1	Elevator
1	New! MC35-524383-4	Cable Assy, Bungee
1	35-524647-9 2	Indicator Actuating
Rudder Cable Kit P/N BCKT-06-RUD		
2	MCNAS30425-0106	Rudder Aft LH & RH
1	MCNAS30433-0247	Rudder Aft
2	MCNAS31514-1871	Rudder Fwd
Model 35 Bonanza V35B, V35B-TC S/N D-9069 thru D-10119 without Electric Trim Complete Kit P/N BCKT35-17		
Qty	Part Number	Location
Aileron Cable Kit P/N BCKT-05-AIL		
1	MCNAS30422-0255	Aileron
1	MCNAS30426-0603	Aileron
1	MCNAS30466-0173	Aileron
2	MC36-521011-1	Aileron
2	MC36-521011-3	Aileron
1	MC35-524314 2	Cable/Chain, Aileron
Elevator Cable Kit P/N BCKT-12-ELE		
1	MCNAS30266-3954	Elevator Trim
1	MCNAS30277-1156	Elevator Trim
1	MCNAS30327-0581	Elevator Trim
1	MCNAS30327-0587	Elevator Trim
1	MCNAS30327-0597	Elevator Trim
1	MCNAS30327-0605	Elevator Trim
1	MCNAS30425-0082	Elevator Aft
1	MCNAS30435-2087	Elevator
1	MCNAS30436-0197	Elevator Aft
1	MC35-524382	Elevator Tab Aft
1	MC35-524651-1	Elevator
1	New! MC35-524383-4	Cable Assy, Bungee
1	35-524647-9 2	Indicator Actuating

Kit continues on next page
1 Partial model eligibility
2 Cable/Chain assembly
3 Pending FAA-PMA approval
4 Not available from McFarlane



Flight Control System

Continued from previous page
 Model 36 Bonanza
 V35B, V35B-TC
 S/N D-9069 thru D-10119 without Electric Trim
 Complete Kit P/N BCKT35-17

Qty	Part Number	Location
Rudder Cable Kit P/N BCKT-06-RUD		
2	MCNAS30425-0106	Rudder Aft LH & RH
1	MCNAS30433-0247	Rudder Aft
2	MCNAS31514-1871	Rudder Fwd

Model 36 Bonanza
 36, A36
 S/N E-1 thru E-301
 Complete Kit P/N BCKT36-01 or BCKTA36-01

Qty	Part Number	Location
Aileron Cable Kit P/N BCKT-09-AIL		
1	MCNAS30422-0255	Aileron
1	MCNAS30426-0703	Aileron LH
1	MCNAS30466-0173	Aileron
2	MC36-521011-1	Aileron
2	MC36-521011-3	Aileron
1	36-524000-19 ⁴	Chain Assy Single Cntr Wheel

Qty	Part Number	Location
Elevator Cable Kit P/N BCKT-20-ELE		
1	MCNAS30434-1624	Elevator Up
2	MCNAS30435-0564	Elevator
2	MCNAS31237-0534	Elevator Tab
1	MC36-524000-23	Elevator Fwd
1	MC36-524000-29 ²	Cable/Chain, Elev. Tab RH
1	MC36-524000-31 ²	Cable/Chain, Elev. Tab LH
1	MC36-524000-41	Cable/Chain, Elev.
1	36-524647-9 ⁴	Indicator Actuating

Qty	Part Number	Location
Rudder Cable Kit P/N BCKT-01-RUD		
2	MCNAS30435-1425	Rudder Fwd
2	MC36-524000-33	Rudder Aft LH & RH

Model 36 Bonanza
 A36
 S/N E-302 thru E-571
 Complete Kit P/N BCKTA36-02

Qty	Part Number	Location
Aileron Cable Kit P/N BCKT-09-AIL		
1	MCNAS30422-0255	Aileron
1	MCNAS30426-0703	Aileron LH
1	MCNAS30466-0173	Aileron
2	MC36-521011-1	Aileron
2	MC36-521011-3	Aileron
1	36-524000-19 ⁴	Chain Assy Single Cntr Wheel

Qty	Part Number	Location
Elevator Cable Kit P/N BCKT-20-ELE		
2	MCNAS30435-0564	Elevator
2	MCNAS31237-0534	Elevator Tab
1	MCNAS30434-1624	Elevator Up
1	MC36-524000-23	Elevator Fwd
1	MC36-524000-41	Cable/Chain, Elevator
1	MC36-524000-31 ²	Cable/Chain, Elevator Tab LH
1	MC36-524000-29 ²	Cable/Chain, Elevator Tab RH
1	36-524647-9 ⁴	Indicator Actuating

Qty	Part Number	Location
Rudder Cable Kit P/N BCKT-02-RUD		
2	MCNAS30435-1421	Rudder Fwd
2	MC36-524000-33	Rudder Aft LH & RH

Model 36 Bonanza
 A36
 S/N E-572 thru E-925
 Complete Kit P/N BCKTA36-03

Qty	Part Number	Location
Aileron Cable Kit P/N BCKT-10-AIL		
2	MCNAS30537-0667	Aileron
2	MCNAS30537-0647	Aileron
1	MCNAS30422-0255	Aileron
1	MCNAS30426-0703	Aileron LH
1	MCNAS30466-0173	Aileron
1	36-524000-19 ⁴	Cable/Chain, Aileron Fuslg.

Qty	Part Number	Location
Elevator Cable Kit P/N BCKT-21-ELE		
1	MCNAS30434-1624	Elevator Up
2	MCNAS30435-0564	Elevator
1	MCNAS31237-0284	Elevator Tab
1	MCNAS31237-0520	Elevator Tab
1	MC36-524000-23	Elevator Fwd
1	MC36-524000-29 ²	Cable/Chain Elev. Tab RH
1	MC36-524000-31 ²	Cable/Chain, Elev. Tab LH
1	002-524028-9 ⁴	Elevator Tab
1	002-524028-1 ⁴	Cable Assy, Elev. Control
1	35-524647-9 ⁴	Indicator Actuating

Qty	Part Number	Location
Rudder Cable Kit P/N BCKT-03-RUD		
1	MCNAS30435-1703	Rudder Fwd LH
1	MCNAS30435-1696	Rudder Fwd RH
2	MC002-524000-23	Rudder Control Aft

Model 36 Bonanza
 A36
 S/N E-926 thru E-937
 Complete Kit P/N BCKTA36-04

Qty	Part Number	Location
Aileron Cable Kit P/N BCKT-11-AIL		
1	MCNAS30566-1035	Aileron
2	MCNAS30537-0647	Aileron
1	MCNAS30422-0255	Aileron Aft
2	MCNAS30537-0667	Aileron Fwd
1	MCNAS30426-1064	Aileron LH
1	MC35-524314-12	Cable/Chain, Aileron Fuslg.

Qty	Part Number	Location
Elevator Cable Kit P/N BCKT-21-ELE		
1	MCNAS30434-1624	Elevator Up
2	MCNAS30435-0564	Elevator
1	MCNAS31237-0284	Elevator Tab
1	MCNAS31237-0520	Elevator Tab
1	MC36-524000-23	Elevator Fwd
1	MC36-524000-29 ²	Cable/Chain, Elev. Tab RH
1	MC36-524000-31 ²	Cable/Chain, Elev. Tab LH
1	002-524028-9 ⁴	Elevator Tab
1	MC45-526011-7	Chain
1	35-524647-9 ⁴	Indicator Actuating
1	002-524028-1 ⁴	Cable Assy, Elev. Control

Qty	Part Number	Location
Rudder Cable Kit P/N BCKT-03-RUD		
1	MCNAS30435-1703	Rudder Fwd LH
1	MCNAS30435-1696	Rudder Fwd RH
2	MC002-524000-23	Rudder Control Aft

Model 36 Bonanza
 A36
 S/N E-938 thru E1945, E-1947 thru E-2103,
 E-2105 thru E-2110
 Complete Kit P/N BCKTA36-05

Qty	Part Number	Location
Aileron Cable Kit P/N BCKT-11-AIL		
1	MC35-524314-12	Cable/Chain, Aileron Fuslg.
1	MCNAS30422-0255	Aileron
1	MCNAS30426-1064	Aileron LH
2	MCNAS30537-0647	Aileron Aft
2	MCNAS30537-0667	Aileron Fwd
1	MCNAS30566-1035	Aileron

Qty	Part Number	Location
Elevator Cable Kit P/N BCKT-22-ELE		
1	MC002-524028-9	Cable, Elevator Tab
1	MC002-524028-21	Cable/Chain, Elev. Tab
1	MC36-524000-23	Elevator Fwd
1	MC36-524000-29 ²	Cable/Chain, Elev. Tab RH
1	MC36-524000-31 ²	Cable/Chain, Elev. Tab LH
1	MCNAS30434-1624	Elevator Up
2	MCNAS30435-0564	Elevator
1	MCNAS31237-0204	Elevator Tab
1	MCNAS31237-0520	Elevator Tab
1	35-524647-9 ⁴	Indicator Actuating

Qty	Part Number	Location
Rudder Cable Kit P/N BCKT-03-RUD		
1	MCNAS30435-1696	Rudder Fwd RH
2	MC002-524000-23	Rudder Aft
1	MCNAS30435-1703	Rudder Fwd LH

Model 36 Bonanza
 A36
 S/N E-1946, E-2104, E-2111 thru E-3629,
 E-3631 thru E-3635
 Complete Kit P/N BCKTA36-06

Qty	Part Number	Location
Aileron Cable Kit P/N BCKT-12-AIL		
1	MC106-524019-47	Cable/Chain, Aileron Tab
1	MC106-524044-19	Aileron
1	MC106-524044-21	Aileron
1	MC106-524044-3	Aileron
1	MC106-524045-5	Aileron
1	MC106-524031-1	Cable/Chain Aileron Tab
1	MC106-524043-11	Aileron Aft LH
1	MC106-524043-5	Aileron Aft RH
2	MC106-524043-7	Aileron Fwd LH & RH

Qty	Part Number	Location
Elevator Cable Kit P/N BCKT-23-ELE		
1	MC106-524020-57	Cable/Chain, Elevator Tab
1	MC106-524046-7	Elevator Tab Nose Down
1	MC106-524046-9	Elevator Tab Nose Up
1	MC106-524049-1	Elevator Up Fwd
1	MC106-524049-9	Elevator Down Fwd
1	MC106-524050-1	Elevator Up Aft
1	MC106-524050-3	Elevator Down Aft
1	MC36-524000-63	Cable/Chain, Elev. Tab RH
1	MC36-524000-69	Cable/Chain, Elev. Tab LH

Qty	Part Number	Location
Rudder Cable Kit P/N BCKT-04-RUD		
1	MC106-524051-5	Rudder RH
1	MC106-524051-7	Rudder LH
1	MC36-524079-5	Rudder Aft RH
1	MC36-524079-7	Rudder Aft LH

Model 36 Bonanza
 A36TC, B36TC
 S/N EA-001 thru EA-319 & EA-321 thru EA-388
 Complete Kit P/N BCKT36TC-01

Qty	Part Number	Location
Aileron Cable Kit P/N BCKT-11-AIL		
1	MCNAS30566-1035	Aileron
2	MCNAS30537-0647	Aileron
1	MCNAS30422-0255	Aileron Aft
2	MCNAS30537-0667	Aileron Fwd
1	MCNAS30426-1064	Aileron LH
1	MC35-524314-12	Cable/Chain, Aileron Fuslg.

Qty	Part Number	Location
Elevator Cable Kit P/N BCKT-22-ELE		
1	MC002-524028-9	Cable, Elevator Tab
1	MC002-524028-21	Cable/Chain, Elev. Tab
1	MC36-524000-23	Elevator Fwd
1	MC36-524000-29 ²	Cable/Chain, Elev. Tab RH
1	MC36-524000-31 ²	Cable/Chain, Elev. Tab LH
1	MCNAS30434-1624	Elevator Up
2	MCNAS30435-0564	Elevator
1	MCNAS31237-0204	Elevator Tab
1	MCNAS31237-0520	Elevator Tab
1	35-524647-9 ⁴	Indicator Actuating

Qty	Part Number	Location
Rudder Cable Kit P/N BCKT-03-RUD		
2	MC002-524000-23	Rudder Aft
1	MCNAS30435-1696	Rudder Fwd RH
1	MCNAS30435-1703	Rudder Fwd LH

Model 36 Bonanza
 B36TC
 S/N EA-320, EA-389 thru EA-999
 Complete Kit P/N BCKT36TC-03

Qty	Part Number	Location
Aileron Cable Kit P/N BCKT-12-AIL		
1	MC106-524019-47	Cable/Chain, Aileron Tab
1	MC106-524031-1	Cable/Chain, Aileron Tab
1	MC106-524043-11	Aileron Aft LH
1	MC106-524043-5	Aileron Aft RH
2	MC106-524043-7	Aileron Fwd LH & RH
1	MC106-524044-19	Aileron
1	MC106-524044-21	Aileron
1	MC106-524044-3	Aileron
1	MC106-524045-5	Aileron

Qty	Part Number	Location
Elevator Cable Kit P/N BCKT-23-ELE		
1	MC106-524020-57	Cable/Chain, Elevator Tab
1	MC106-524046-7	Elevator Tab Nose Down
1	MC106-524046-9	Elevator Tab Nose Up
1	MC106-524049-1	Elevator Up Fwd
1	MC106-524049-9	Elevator Down Fwd
1	MC106-524050-1	Elevator Up Aft
1	MC36-524000-69	Cable/Chain, Elev. Tab LH
1	MC106-524050-3	Elevator Down Aft
1	MC36-524000-63	Cable/Chain, Elev. Tab RH

Qty	Part Number	Location
Rudder Cable Kit P/N BCKT-04-RUD		
1	MC106-524051-7	Rudder LH
1	MC106-524051-5	Rudder RH
1	MC36-524079-5	Rudder Aft RH
1	MC36-524079-7	Rudder Aft LH

Model 36 Bonanza
 G36
 S/N E-3630, E-3636 thru-9999
 Complete Kit P/N BCKTG36-01

Qty	Part Number	Location
Aileron Cable Kit P/N BCKT-12-AIL		
1	MC106-524019-47	Cable/Chain, Aileron Tab
1	MC106-524031-1	Cable/Chain, Aileron Tab
1	MC106-524043-11	Aileron Aft LH
1	MC106-524043-5	Aileron Aft RH
2	MC106-524043-7	Aileron Fwd LH & RH
1	MC106-524044-19	Aileron
1	MC106-524044-21	Aileron
1	MC106-524044-3	Aileron
1	MC106-524045-5	Aileron

Qty	Part Number	Location
Elevator Cable Kit P/N BCKT-23-ELE		
1	MC106-524020-57	Cable/Chain, Elevator Tab
1	MC106-524046-7	Elevator Tab Nose Down
1	MC106-524046-9	Elevator Tab Nose Up
1	MC106-524049-1	Elevator Up Fwd
1	MC106-524049-9	Elevator Down Fwd
1	MC106-524050-1	Elevator Up Aft
1	MC36-524000-69	Cable/Chain, Elev. Tab LH
1	MC106-524050-3	Elevator Down Aft
1	MC36-524000-63	Cable/Chain, Elev. Tab RH

Kit continues on next page

¹ Partial model eligibility
² Cable/Chain assembly
³ Pending FAA-PMA approval
⁴ Not available from McFarlane



Flight Control System

Flight Control Cables - Beechcraft



<i>Continued from previous page</i>		
Model 36 Bonanza G36 S/N E-3630, E-3636 thru-9999 Complete Kit P/N BCKTG36-01		
Qty	Part Number	Location
Rudder Cable Kit P/N BCKT-04-RUD		
1	MC36-524079-5	Rudder Aft RH
1	MC36-524079-7	Rudder Aft LH
1	MC106-524051-7	Rudder LH
1	MC106-524051-5	Rudder RH
1	MC106-524043-5	Aileron Aft RH
1	MC106-524043-11	Aileron Aft LH
Model 50 Twin Bonanza D50 (DH-144 thru DH-154), D50B, D50C, D50E, E50, F50, H50, J50, G50 (GH-95 thru GH-119)		
Part Number	Location	
MCNAS30635-1172	Aileron	
Model 55 95-55, 95-A55		
Part Number	Location	
Aileron Cable Kit P/N BCKT-02-AIL		
	MCNAS30555-1043	Aileron
	MCNAS30534-0652	Aileron Fwd
	MCNAS305-35-0672	Cable
Elevator Cable Kit P/N BCKT-24-ELE 95-55 S/N All, 95-A55 S/N TC-191 thru TC-379		
	MCNAS31237-0302	Elevator Tab Down
	MCNAS31237-0323	Elevator Tab Up
	MCNAS30435-0564	Elevator
	MCNAS30444-3507	Elevator
Rudder Cable Kit P/N BCKT-10-RUD		
	MCNAS30534-1594	Rudder Fwd RH
	MCNAS30534-1600	Rudder Fwd LH
Model 55 95-B55, 95-B55A		
Part Number	Location	
Aileron Cable Kit P/N BCKT-02-AIL		
	MCNAS30555-1043	Aileron
	MCNAS30534-0652	Aileron Fwd
	MCNAS305-35-0672	Cable
Elevator Cable Kit P/N BCKT-24-ELE S/N TC-503 thru TC-1607 P/N BCKT-26-ELE S/N TC-1608 thru TC-2023 P/N BCKT-27-ELE S/N TC-2024 thru TC-2024 P/N BCKT-28-ELE S/N TC-2405 thru TC-2430 P/N BCKT-29-ELE S/N TC-2431 thru TC-2456		
Note 2	MCNAS30435-0564	Elevator
Note 3	MCNAS30435-0568	Elevator Aft
Note 4	MCNAS30435-0570	Elevator Aft
Note 5	MCNAS30444-3507	Elevator
Note 6	MCNAS31237-0222	Elevator Trim
Note 7	MCNAS31237-0302	Elevator Tab Down
	MCNAS31237-0323	Elevator Tab Up
Rudder Cable Kit P/N BCKT-10-RUD S/N TC-502 thru TC-1607 P/N BCKT-11-RUD S/N TC-1608 thru TC-2456		
Note 1	MCNAS30277-4040	Rudder Tab
	MCNAS30534-1594	Rudder Fwd RH
	MCNAS30534-1600	Rudder Fwd LH
Note 1:	TC-1608 thru TC-2456	
Note 2:	TC-371 thru TC-2404	
Note 3:	TC-2405 thru TC-2430	
Note 4:	TC-2431 thru TC-2456	
Note 5:	TC-371 thru TC-1607	
Note 6:	TC-2024 thru TC-2456	
Note 7:	TC-371 thru TC-2023	
Model 55 95-C55, 95-C55A		
Part Number	Location	
Aileron Cable Kit P/N BCKT-02-AIL		
	MCNAS30555-1043	Aileron
	MCNAS30534-0652	Aileron Fwd
	MCNAS305-35-0672	Cable
Elevator Cable Kit P/N BCKT-30-ELE S/N TC-350, TE-1 thru TE-451		
Note 1	MCNAS30435-0564	Elevator
	MCNAS30444-3511	Elevator
	MCNAS31237-0302	Elevator Tab Down
	MCNAS31237-0323	Elevator Tab Up
Rudder Cable Kit P/N BCKT-10-RUD S/N TC-350, TE-1 thru TE-451		
Note 1	MCNAS30534-1594	Rudder Fwd RH
Note 1	MCNAS30534-1600	Rudder Fwd LH
Note 1:	Not required for s/n TC-350.	

Model 55 D55		
Part Number	Location	
Aileron Cable Kit P/N BCKT-02-AIL		
	MCNAS30555-1043	Aileron
	MCNAS30534-0652	Aileron Fwd
	MCNAS305-35-0672	Cable
Elevator Cable Kit P/N BCKT-30-ELE S/N TE-452 thru TE-633 P/N BCKT-31-ELE S/N TE-634 thru TE-767		
	MCNAS30435-0564	Elevator
	MCNAS30444-3511	Elevator
	MCNAS31237-0302	Elevator Tab Down
	MCNAS31237-0323	Elevator Tab Up
Note 1	MCNAS31237-0843	Electric Trim
Rudder Cable Kit P/N BCKT-10-RUD		
	MCNAS30534-1594	Rudder Fwd RH
	MCNAS30534-1600	Rudder Fwd LH
Note 1:	TE-633 thru TE-76	
Model 55 E55, E55A		
Part Number	Location	
Aileron Cable Kit P/N BCKT-02-AIL		
	MCNAS30555-1043	Aileron
	MCNAS30534-0652	Aileron Fwd
	MCNAS305-35-0672	Cable
Elevator Cable Kit P/N BCKT-32-ELE S/N TE-768 thru TE-937 and TE-939 thru TE-942 P/N BCKT-34-ELE S/N TE-943 thru TE-1086 P/N BCKT-35-ELE S/N TE-1087 thru TE-1192 P/N BCKT-36-ELE S/N TE-1193 thru TE-1196 P/N BCKT-37-ELE S/N TE-1197 thru TE-9999		
Note 2	MCNAS30435-0564	Elevator
Note 3	MCNAS30435-0568	Elevator Aft
Note 4	MCNAS30435-0570	Elevator Aft
Note 5	MCNAS30444-3511	Elevator
Note 6	MCNAS31237-0222	Elevator Trim
Note 6	MCNAS31237-0302	Elevator Tab Down
	MCNAS31237-0323	Elevator Tab Up
	MCNAS31237-0843	Electric Trim
Rudder Cable Kit P/N BCKT-10-RUD S/N TE-768 thru TE-937, TE-939 thru TE-942, TE-943 thru TE-1201		
Note 1	MCNAS30277-4040	Rudder Tab
	MCNAS30534-1594	Rudder Fwd RH
	MCNAS30534-1600	Rudder Fwd LH
Note 1:	TE-938, TE-943 thru TE-1201	
Note 2:	TE-768 thru TE-1192	
Note 3:	TE-1193 thru TE-1196	
Note 4:	TE-1197 thru TE-1201	
Note 5:	TE-768 thru TE-937, TE-939 thru TE-942	
Note 6:	TE-1087 thru TE-1201	
Note 7:	TE-768 thru TE-1086	
Model 56 Baron 56TC, A56TC		
Part Number	Location	
Aileron Cable Kit P/N BCKT-02-AIL		
	MCNAS30555-1043	Aileron
	MCNAS30534-0652	Aileron Fwd
	MCNAS305-35-0672	Cable
Elevator Cable Kit P/N BCKT-38-ELE		
	MCNAS30435-0564	Elevator
	MCNAS31237-0302	Elevator Tab Down
	MCNAS31237-0342	Elevator Tab Up
	MCNAS30277-4040	Rudder Tab
Model 58 Baron 58, 58A		
Part Number	Location	
Aileron Cable Kit P/N BCKT-02-AIL		
	MCNAS30555-1043	Aileron
	MCNAS30534-0652	Aileron Fwd
	MCNAS305-35-0672	Cable
Elevator Cable Kit P/N BCKT-39-ELE S/N TH-1 thru TH-789 P/N BCKT-40-ELE S/N TH-790 thru TH-1274 P/N BCKT-41-ELE S/N TH-1275 thru TH-1314 P/N BCKT-42-ELE S/N TH-1315 thru TH-1388 and TH-1390 thru TH-1395 P/N BCKT-43-ELE S/N TH-1389, TH-1396 thru TH-2124		
Note 1	MC106-524049-1	Elevator Up Fwd
Note 1	MC106-524049-9	Elevator Down Fwd

<i>Continued from Previous Column</i>		
Model 58 Baron 58, 58A		
Part Number	Location	
Note 1	MC106-524050-1	Elevator Up Aft
Note 1	MC106-524050-3	Elevator Down Aft
Note 3	MCNAS30435-0564	Elevator
Note 4	MCNAS30435-0568	Elevator Aft
Note 5	MCNAS30435-0570	Elevator Aft
Note 6	MCNAS31237-0222	Elevator Trim
Note 7	MCNAS31237-0302	Elevator Tab Down
Note 2	MCNAS31237-0523	Elevator Trim Up
	MCNAS31237-0843	Electric Trim
Rudder Cable Kit P/N BCKT-12-RUD S/N TH-1 thru TH-1388, TH-1390 thru TH-1395		
Note 2	MCNAS30277-4240	Rudder Tab
Note 2	MCNAS30534-1696	Rudder RH
Note 2	MCNAS30534-1703	Rudder LH
Note 1:	TH-1389, TH-1396 thru TH-2124	
Note 2:	TH-1 thru TH-1388, TH-1390 thru TH-1395	
Note 3:	TH-1 thru TH-1274	
Note 4:	TH-1275 thru TH-1314	
Note 5:	TH-1315 thru TH-1388, TH-1390 thru TH-1395	
Note 6:	TH-790 thru TH-1388, TH-1390 thru TH-1395	
Note 7:	TH-1 thru TH-789	
Model 58 Baron 58P		
Part Number	Location	
Note 2	MCNAS30555-1043	Aileron
Elevator Cable Kit P/N BCKT-33-ELE S/N TJ-436, TJ-444 thru TJ-497		
Note 1	MC106-524049-1	Elevator Up Fwd
Note 1	MC106-524049-9	Elevator Down Fwd
Note 2	MCNAS30435-0564	Elevator
Rudder Cable Kit P/N BCKT-13-RUD S/N TJ-3 thru TJ-435, TJ-437 thru TJ-443		
Note 2	MCNAS30534-1696	Rudder RH
Note 2	MCNAS30534-1703	Rudder LH
Note 1:	TJ-436, TJ-444 thru TJ-497	
Note 2:	TJ-3 thru TJ-435, TJ-437 thru TJ-443	
1 Partial model eligibility 2 Cable/Chain Assembly		
Model 58 Baron 58TC		
Part Number	Location	
Note 1	MC106-524049-1	Elevator Up Fwd
Note 1	MC106-524049-9	Elevator Down Fwd
Note 3	MCNAS30435-0564	Elevator
Note 4	MCNAS30555-1043	Aileron
Rudder Cable Kit P/N BCKT-12-RUD S/N TK-53 thru TK-146, TK-148 thru TK-150 P/N BCKT-13-RUD S/N TK-1 thru TK-52		
Note 2	MCNAS30277-4240	Rudder Tab
Note 3	MCNAS30534-1696	Rudder RH
Note 4	MCNAS30534-1703	Rudder LH
Note 1:	TK-147, TK-151	
Note 2:	TK-53 thru TK-146, TK-148 thru TK-150	
Note 3:	Not required for s/n TK-151.	
Note 4:	Not required for s/n TK-147 or TK-151.	
Model 60 Duke B60		
Part Number	Location	
	MCNAS30534-0652	Aileron Fwd
	MCNAS305-35-0672	Cable
Model 76 Duchess 76		
Part Number	Location	
Rudder Cable Kit P/N BCKT-14-RUD		
1	MCNAS31425-1220	Rudder Fwd LH
1	MCNAS31424-1242	Rudder Fwd RH
Stabilator Cable Kit P/N BCKT-03-STB		
1	MCNAS31424-1152	Stabilator
1	MCNAS31425-1411	Stabilator/Elevator Fwd
Model 90 King Air 65-90, 65-A90, C90, C90A, C90B (LJ-1288 thru LJ-1305, LJ-1307 thru LJ-1315, LJ-1317, LJ-1319, LJ-1367 thru LJ-1755), C90GT, E90		
Part Number	Location	
	MCNAS30635-1172	Aileron
1 Partial model eligibility 2 Cable/Chain Assembly 3 Pending FAA-PMA approval 4 Not available from McFarlane		

Flight Control System



Flight Control System

Model 90 King Air F90		
Part Number	Location	
MCNAS30266-1814	Elevator Tab	
MCNAS30277-1700	Elevator Tab	
MCNAS30635-1172	Aileron	
Model 100 King Air 100,A100,B100		
Part Number	Location	
MC99-524015	Aileron Tab	
MCNAS30635-1172	Aileron	
Model 200 King Air 200,200C,200CT,200T(All except BT-28), B200, B200C,B200CT,B200T		
Part Number	Location	
Aileron Cable Kit P/N BCKT-03-AIL		
MC101-524088-1	Aileron Tab	
MCNAS30635-1172	Aileron	
Note 1,2 MC1781-1	Elevator Tab	
MCNAS30266-1814	Elevator Tab	
Note 2 MCNAS30277-1700	Elevator Tab	
Note 1: Replaces: (1) NAS302-67-6643 (2) 35-524288 Stop Screw, (2) 35-524287 Stop Nut. Note 2: Model 200 s/n BB-39 thru BB-912.		
Model 300 King Air 300,300LW, B300, B300C (All except FN-1)		
Part Number	Location	
Aileron Cable Kit P/N BCKT-04-AIL		
MCNAS30624-1176	Aileron	
MCNAS30635-1172	Aileron	
Elevator Cable Kit P/N BCKT-47-ELE		
MCNAS30266-1814	Elevator Tab	
MCNAS30267-6643	Elevator Tab	
MCNAS30277-1700	Elevator Tab	
Model 1900 Airliner 1900,1900CT (UB-1 thru UB-74)		
Part Number	Location	
Aileron Cable Kit P/N BCKT-04-AIL		
MCNAS30624-1176	Aileron	
MCNAS30635-1172	Aileron	
Elevator Cable Kit P/N BCKT-45-ELE		
MCNAS30266-1312	Elevator Tab	
MCNAS30277-1307	Elevator	
Model 45 and T-34 A45 (T-34A), D45 (T-34B)		
Part Number	Location	
MCNAS305-34-0640	Aileron	
MCNAS305-35-0672	Aileron	
MCNAS305-25-0546	Aileron	
MCNAS305-35-0546	Aileron	
MCNAS305-24-0514	Aileron	
MCNAS305-34-0514	Aileron	
Note 2 MCNAS305-34-0826	Elevator	
MCNAS305-35-0576	Elevator	
Note 2 MCNAS305-34-0996	Elevator	
MCNAS305-35-0564	Elevator Aft	
Note 1 MCNAS305-34-1010	Elevator Fwd	
Note 1 MCNAS305-34-0840	Elevator Fwd	
MCNAS304-34-1271	Rudder	
MCNAS304-35-0712	Rudder	
Note 3 MCNAS304-33-0311	Rudder	
Note 3 MCNAS304-34-1116	Rudder	
Note 1: For model A45 (T-34A) only. Note 2: For model D45 (T-34B) only. Note 3: For aircraft with Beechcraft Kit 45-322A installed.		
Model T-34 T-34C, 34C, T-34C-1		
Part Number	Location	
MCNAS305-34-0640	Aileron	
MCNAS305-35-0672	Aileron	
Note 1 MCNAS305-25-0546	Aileron	
Note 1 MCNAS305-35-0546	Aileron	
Note 1 MCNAS305-24-0514	Aileron	
Note 1 MCNAS305-34-0514	Aileron	
MC104-524023-3	Aileron Trim	
MC104-524023-5	Aileron Trim	
MCNAS305-35-0996	Elevator	
MCNAS305-34-0826	Elevator	
MCNAS305-34-0564	Elevator	
MCNAS305-35-0576	Elevator	
MC104-524020-9	Elevator Trim	
MC104-524020-11	Elevator Trim	
MC104-524046-3	Elevator Trim	
MC104-524046-5	Elevator Trim	
MC104-524021-3	Rudder Trim	
MC104-524021-5	Rudder Trim	
MC104-524022-3	Rudder Trim	
MC104-524022-7	Rudder Trim	
Note 1: For model T-34C only. Partial model eligibility		

Beechcraft Cable Notes: Corrosion Protection

All Beechcraft cables are made from galvanized steel cable and coated with a modified MIL-PRF-16173 compound. This is the same process used on Beechcraft original cables.

It provides additional corrosion protection beyond the standard MIL-SPEC rust preventive oil. This provides both exceptional wear resistance and corrosion protection for many years.

Cable Stop P/N MC6057

- Improved for more consistent holding strength
- Used on the assist step cable on 35, A35 and C35 Beech Bonanzas
- One McFarlane MC6057 cable stop replaces both Beechcraft 35-524287 nut and 35-524288 screw part numbers
- Also included on select cable assemblies as required



Bulk Cable

Great prices on galvanized or stainless steel!

All cable meets MIL-DTL-83420 certification. Manufacturer certification is provided with every order.

- Direct mill purchases let us sell for less!
- Prepackaged in 100 and 500 foot lengths
- Custom lengths available

Diameter	Cable	Galvanized	Stainless
1/16	1X19	•	
	7X7	•	•
	7X19	•	•
1/8	7X19	•	•
	7X19	•	•
1/4	1X19	•	
	7X7	•	•
3/32	7X19	•	•
	7X19	•	•
3/16	7X19	•	•
3/8	7X19	•	•
5/32	7X19	•	•
5/16	7X19	•	•



Flight Control System Pulleys for Cessna Aircraft



Flight Control System

Pulleys and Pulley Kits for Cessna Aircraft

McFarlane stocks all pulleys required for Cessna single engine aircraft. Our MCS378 series pulleys replace the AN, NAS and S378 series pulleys commonly used on the Cessna aircraft. Pulley kits are available that contain all of the pulleys and cotter pins required for one aircraft.

Improved Bearings

All MCS378 series FAA-PMA pulleys used in McFarlane pulley kits feature high quality sealed precision ball bearings. This style of bearing is far superior to low grade, open seal bearings used in the cheap Cessna S378-()L light duty series pulleys that they replace.

Available Pulley Part Numbers

1660433-1, 1660433-2, AN210-1B, AN210-2B, AN210-3B, AN210-4B, AN210-5B, AN220-1, AN220-2, AN220-3, AN220-4, MCS378-1, MCS378-2, MCS378-3, MCS378-4, MCS378-5, MS20219-1, MS20219-2, MS20219-3, MS20219-4, MS20219-5, MS20219A1, MS20219A2, MS20219A3, MS20219A4, MS20219A5, MS20220-1, MS20220-2, MS20220-3, MS20220-4, MS24566-1B, MS24566-2B, MS24566-3B, MS24566-4B, MS24566-5B, NAS383-1, NAS383-2, NAS383-3, NAS383-4, S1052-1, S1710-1, S378-4S, S394



McFarlane Pulley Oil, will not dry out and get sticky. See the following page.

Approved Replacements for Cessna Pulleys

Cessna Model/Series	Part Number*	Replaces Cessna Part Number*
120,140,140A,150,A150,A-150, F150,FA150,FRA150,152,A152,F152,FA152,170,172,F172,FR172,172RG,FP172,P172,R172,175,177,177RG,F177RG,180,182,A182,F182,FR182,R182,TR182,T182,185,A185,188, A188,A-A188,T188,205,206,P206,TU206,T206,TP206,U206,207,T207,208,210,P210,T210,T303,310,T310,320,335,336,337,F337,P337,FP-337,T337,O-2,340,401,402,404,411,414,421,425,441,500,501	MCS378-1	S378-1 and S378-1L
	MCS378-2	S378-2, A124, AN210-2B and NAS383-2
	MCS378-3	S378-3, S378-3L, A130, AN210-3B, BB-208 and NAS383-3
	MCS378-4	S378-4, A114, AN210-4B and NAS383-4
	MCS378-5	S378-5

*Replaces the listed Cessna part numbers in the specific aircraft illustrated parts catalogs. Installer must verify applicability prior to installation.

Available Cotter Pin Part Numbers

MS24665-132, MS24665-134, MS24665-138, MS24665-140, MS24665-143, MS24665-144, MS24665-155, MS24665-170, MS24665-24, MS24665-281, MS24665-283, MS24665-285, MS24665-287, MS24665-289, MS24665-292, MS24665-295, MS24665-353, MS24665-355, MS24665-357, MS24665-360, MS24665-5, MS24665-7, MS24665-71. Pulleys and cotter pins available as convenient kits. Pulleys can be purchased separately. Cotter Pins can be purchased in quantities of 10 or 25 each depending on part number.



Model	Serial Number	Kit P/N	Quantity per Kit (Applicable cotter pins also included)					Other Pulleys
			MCS378-1	MCS378-2	MCS378-3	MCS378-4	MCS378-5	
120/140	8000-15075	PULL-KT-01	8	2	10	10	1	
140A	15200-15724	PULL-KT-02		2	8	12	1	(8) NAS383-1
150	17001-59018	PULL-KT-03	8	13	10	12	3	
150A,B,C	15059019-15060087	PULL-KT-04	8	13	10	10	3	
150D,E	15060088-15061083	PULL-KT-05	8	13	10	4	1	(6) MS20220-2
150E	15061084-15061532	PULL-KT-06	8	13	10	4		(6) MS20220-2
150F,G	15061533-15067198	PULL-KT-07	10	10	13	4		(7) MS20220-2
150H	15067199-15069308	PULL-KT-08	14	10	13	4		(7) MS20220-2
150J	15069309-15071128	PULL-KT-09	14	8	13	4		(7) MS20220-2
150K,L	15071129-15074399	PULL-KT-10	14	8	13	4		(7) MS20220-2
A150K,L	A15000001-A1500387	PULL-KT-10	14	8	13	4		(7) MS20220-2
F150K,L	F15000530-F15000943	PULL-KT-10	14	8	13	4		(7) MS20220-2
FA150K,L	FA1500001-FA1500120	PULL-KT-10	14	8	13	4		(7) MS20220-2
FRA150L	FRA1500121-FRA1500211	PULL-KT-10	14	8	13	4		(7) MS20220-2
150L	15074400-15074661	PULL-KT-11	14	10	11	4		(7) MS20220-2
A150L	A1500388-A1500415	PULL-KT-11	14	10	11	4		(7) MS20220-2
F150L	F1500944-F15001062	PULL-KT-11	14	10	11	4		(7) MS20220-2
150L,M	15074662-15079405	PULL-KT-12	14	10	12	4		(7) MS20220-2
A150L,M	A1500416 thru A1500734	PULL-KT-13	14	10	12	4		(7) MS20220-2
FRA150L,M	FRA1500212-FRA1500336	PULL-KT-12	14	10	12	4		(7) MS20220-2
152	15279406-15286033	PULL-KT-13	14	10	12	4		(7) MS20220-2
A152	A1520735-A1521049	PULL-KT-13	14	10	12	4		(7) MS20220-2
F152	F15201429-F015201952	PULL-KT-13	14	10	12	4		(7) MS20220-2
FA152	FA1520337-FA1520387	PULL-KT-13	14	10	12	4		(7) MS20220-2
170	18000-18729	PULL-KT-14		4	7	16	2	(8) NAS383-1
170A	18730-20266	PULL-KT-15				13	14	(8) NAS383-1
170B	20267-27169	PULL-KT-16	8	11	9	22	4	(8) NAS383-1
172A,B,C	28000-17249544	PULL-KT-17	8	11	10	18	4	
172D	17249545-17250572	PULL-KT-18	9	11	10	18	4	
F172D	F1720001-F1720018	PULL-KT-18	9	11	10	18	4	
FP172	FP1720001-FP1720003	PULL-KT-18	9	11	10	18	4	
P172	P17257120-P17257188	PULL-KT-18	9	11	10	18	4	
172E	17250573-17251822	PULL-KT-19	9	11	10	16	4	
F172E	F1720019-F1720085	PULL-KT-19	9	11	10	16	4	
172F,G,H,I,K,L,M	17251823-17263458	PULL-KT-20	13	2	10	16	3	(2) MS20220-1
F172F,G,H,K,L,M	F1720086-F17201234	PULL-KT-20	13	2	10	16	3	(2) MS20220-1
FR172E,F,G,H,J	FR1720001-FR1720590	PULL-KT-21	12	2	10	16	3	(2) MS20220-1
172M,N,P	17263459-17276673	PULL-KT-22	13	2	10	16	3	(2) MS20220-1, (1) S1710-1
F172M,N,P	F17201235-F17202254	PULL-KT-22	13	2	10	16	3	(2) MS20220-1, (1) S1710-1
172R,S	17280001 & On	PULL-KT-19	9	11	10	16	4	
175A,B,C	55001-17557119	PULL-KT-17	8	11	10	18	4	
180A,B	30000-50661	PULL-KT-24	5	11	7	20	4	
180C,D,E	50662-18051183	PULL-KT-25	5	12	7	20	4	
180F,G	18051184-18051445	PULL-KT-26	5	12	7	20	4	(1) MS20220-2
	18051446-18051607	PULL-KT-27	5	12	7	22	4	(1) MS20220-2
180H	18051608-18052206	PULL-KT-28	5	12	7	22	1	(1) MS20220-2
180H,I	18052207-18052384	PULL-KT-83	5	12	7	22	1	(1) MS20220-2, (1) S1710-1
180J,K	18052385-18053203	PULL-KT-29	5	11	7	22	1	(2) MS20220-2, (1) S1710-1
182,A,B	33000-52358	PULL-KT-34	5	11	7	20	1	4
182C,D	52359-18053598	PULL-KT-35	5	12	7	20	1	4
182E	18253599-18253929	PULL-KT-36	6	1	6	10	3	(6) MS20220-2, (1) S1052-1
182E,F,G,H,J,K	18253930-18258505	PULL-KT-85	11	3	6	10	3	(6) MS20220-2, (1) S1052-1

Partial model eligibility

Eligibility continues on next page



FAA-PMA Approved

Flight Control System

Continued from previous page			Quantity per Kit (Applicable cotter pins also included)						
Model	Serial Number	Kit P/N	MCS378-1	MCS378-2	MCS378-3	MCS378-4	MCS378-5	S394	Other Pulleys
182L,M,N	18258506-18260445	PULL-KT-37	6	3	6	8		3	(8) MS20220-2, (1) S1052-1
182N	18260446-18260669	PULL-KT-38	8	3	6	8		3	(8) MS20220-2, (1) S1052-1
182N,P	18260670-18262465	PULL-KT-86	8	3	6	8		3	(8) MS20220-2, (1) S1052-1, (1) S1710-1
182P,Q,R	18262466-18268615	PULL-KT-39	13	3	6	8		3	(8) MS20220-2, (1) S1052-1, (1) S1710-1
T182	18267716-18268615	PULL-KT-39	13	3	6	8		3	(8) MS20220-2, (1) S1052-1, (1) S1710-1
182S, 182T	18208001 & On	PULL-KT-80	13	3	6	8		3	(9) MS20220-2, (1) S1052-1, (1) S1710-1
F182P,Q	F1820001-F18200169	PULL-KT-39	13	3	6	8		3	(8) MS20220-2, (1) S1052-1, (1) S1710-1
FR182	FR1820001-FR18200070	PULL-KT-40	3	1	16	16		3	(8) MS20220-2, (1) S1052-1, (1) S1710-1
R182, TR182	R1820001-R18202041	PULL-KT-40	3	1	16	16		3	(8) MS20220-2, (1) S1052-1, (1) S1710-1
T182	T1820801 & On	PULL-KT-80	13	3	6	8		3	(9) MS20220-2, (1) S1052-1, (1) S1710-1
185,A,B,C	1850001-1850776	PULL-KT-30	5	12	7	20	1	4	(1) MS20220-2
185D	1850777-1850967	PULL-KT-31	5	12	7	22	1	4	(1) MS20220-2
185E,A185E	1850968-18501901	PULL-KT-32	5	12	7	22	1	8	(1) MS20220-2
A185E,F	18501902-18502310	PULL-KT-84	5	12	7	22	1	8	(1) MS20220-2, (1) S1710-1
A185F	18502311-18504448	PULL-KT-33	5	11	7	22	1	8	(2) MS20220-2, (1) S1710-1
188,A,188	1880001-1880317	PULL-KT-41	2	5		6		4	(4) 1660433-1, (8) MS20220-1, (2) MS20220-2, (1) MS20220-4
	1880318-1880572	PULL-KT-42	4	5		6		4	(4) 1660433-1, (8) MS20220-1, (2) MS20220-2, (1) MS20220-4
188A,A188A	1880573-1880707	PULL-KT-43	4	5		6		6	(4) 1660433-1, (8) MS20220-1, (2) MS20220-2, (1) MS20220-4, (1) S1052-1
188A,B	1880708-18801348	PULL-KT-44	4	5		6		6	(4) 1660433-2, (10) MS20220-2, (1) MS20220-4, (2) S1052-1
A188A,B	18800967T-188001348T								
	18801349-18801402	PULL-KT-45	4	5		6		6	(4) 1660433-2, (1) MS20220-1, (10) MS20220-2, (1) MS20220-4, (2) S1052-1
188B,A188B	18801349T-18801402T								
	18801403-18803856	PULL-KT-46	4	5		6		6	(4) 1660433-2, (1) MS20220-1, (10) MS20220-2, (1) MS20220-4, (2) S1052-1, (1) S1710-1
	18801403T-18803968T								
T188C	T18803297T-T18803968T	PULL-KT-6	4	5		6		6	(4) 1660433-2, (1) MS20220-1, (10) MS20220-2, (1) MS20220-4, (2) S1052-1, (1) S1710-1
210-5 (205), 210-5A (205A)	2050001-2050577	PULL-KT-47	11	3	6	22		3	(5) MS20220-2, (1) S1052-1
206,U206,A,B	2060001-U2060914	PULL-KT-48	7	4	6	26		6	(4) MS20220-1, (9) MS20220-2, (1) S1052-1
TU206A,B	2060438-U2060914	PULL-KT-48	7	4	6	26		6	(4) MS20220-1, (9) MS20220-2, (1) S1052-1
P206,TP206A,B	P2060001-P2060419	PULL-KT-48	7	4	6	26		6	(4) MS20220-1, (9) MS20220-2, (1) S1052-1
U206,TU206C,D,E	U2060915-U20601667	PULL-KT-49	10	4	6	26		6	(4) MS20220-1, (11) MS20220-2, (1) S1052-1
P206,TP206C,D,E	P2060420-P2060647	PULL-KT-49	10	4	6	26		6	(4) MS20220-1, (11) MS20220-2, (1) S1052-1
U206E,TU206E	U20601668-U20601700	PULL-KT-50	10	4	6	26		6	(4) MS20220-1, (9) MS20220-2, (1) S1052-1, (1) S1710-1
	U20601701-U20601874	PULL-KT-51	8	4	6	26		6	(4) MS20220-1, (11) MS20220-2, (1) S1052-1, (1) S1710-1
U206F,TU206F	U20601875-U20602199	PULL-KT-52	7	4	6	26		6	(4) MS20220-1, (11) MS20220-2, (1) S1052-1, (1) S1710-1
	U20602200-U20602579	PULL-KT-53	7	2	6	26		6	(4) MS20220-1, (9) MS20220-2, (2) MS20220-4, (1) S1052-1, (1) S1710-1
U206F,G	U20602580-U20603798	PULL-KT-54	7	1	6	20		6	(4) MS20220-1, (9) MS20220-2, (2) MS20220-4, (1) S1052-1, (1) S1710-1
TU206F,G									
U206G,TU206G	U20603799-U20607020	PULL-KT-55	7		6	22		6	(4) MS20220-1, (8) MS20220-2, (2) MS20220-4, (1) S1052-1, (1) S1710-1
206H	20608001 & On	PULL-KT-56	7		6	18		4	(4) MS20220-1, (8) MS20220-2, (2) MS20220-4, (1) S1052-1, (1) S1710-1
T206H	T20608001 & On	PULL-KT-56	7		6	18		4	(4) MS20220-1, (8) MS20220-2, (2) MS20220-4, (1) S1052-1, (1) S1710-1
	20700001-20700204	PULL-KT-57	12	1	4	21		6	(4) MS20220-1, (11) MS20220-2, (7) S1052-1, (2) S1710-1
207,T,207	20700205-20700227	PULL-KT-58	12	1	4	21		6	(4) MS20220-1, (11) MS20220-2, (7) S1052-1, (3) S1710-1
	20700228-20700267	PULL-KT-59	9	1	4	21		6	(4) MS20220-1, (9) MS20220-2, (7) S1052-1, (3) S1710-1
207,T,207A	20700268-20700390	PULL-KT-60	9	1	6	15		6	(4) MS20220-1, (9) MS20220-2, (2) MS20220-4, (5) S1052-1, (3) S1710-1
T207,T,207A	20700391-20700788	PULL-KT-61	9	1	6	17		6	(4) MS20220-1, (8) MS20220-2, (2) MS20220-4, (5) S1052-1, (3) S1710-1
208	20800001 thru 20800145	PULL-KT-87			3	13			(6) MS20220-1, (2) MS20220-3, (18) S378-4S
	20800146 thru 20899999	PULL-KT-88			2	13			(6) MS20220-1, (2) MS20220-3, (18) S378-4S
208B	All	PULL-KT-89			2	13			(6) MS20220-1, (2) MS20220-3, (19) S378-4S
210,A	57001-21057840	PULL-KT-62	5	4	11	22		3	(9) MS20220-2, (2) S1052-1
210B,C	21057841-21058220	PULL-KT-63	7	4	6	28		3	(4) MS20220-2, (2) S1052-1
210D,E,F	21058221-21058818	PULL-KT-64	7	3	6	28		6	(4) MS20220-1, (9) MS20220-2, (1) S1052-1
T210F	T2100001-T2100197	PULL-KT-64	7	3	6	28		6	(4) MS20220-1, (9) MS20220-2, (1) S1052-1
210G	21058819-21058936	PULL-KT-65	7		6	28		2	(12) MS20220-2, (2) MS20220-3, (8) S1710-1
T210G	T2100198-T2100307	PULL-KT-65	7		6	28		2	(12) MS20220-2, (2) MS20220-3, (8) S1710-1
210H	21058937-21059030	PULL-KT-66	11		6	28		2	(12) MS20220-2, (2) MS20220-3, (8) S1710-1
	21059031-21059061	PULL-KT-67	11		6	28		2	(11) MS20220-2, (2) MS20220-3, (4) S1710-1
T210H	T2100308-T2100378	PULL-KT-66	11		6	28		2	(12) MS20220-2, (2) MS20220-3, (8) S1710-1
	T2100379-T2100392	PULL-KT-67	11		6	28		2	(11) MS20220-2, (2) MS20220-3, (4) S1710-1
210J	21059062-21059199	PULL-KT-68	15		6	28		2	(11) MS20220-2, (2) MS20220-3, (4) S1710-1
T210J	T2100393-T2100454	PULL-KT-68	15		6	28		2	(11) MS20220-2, (2) MS20220-3, (4) S1710-1
210K,L	21059200-21060089	PULL-KT-69	14	1	7	26		2	(11) MS20220-2, (2) MS20220-3, (4) S1710-1
210L,M,N	21060090-21064135	PULL-KT-71	12	1	7	28		2	(11) MS20220-2, (2) MS20220-3, (4) S1710-1
210N,T,210N	21064136-21064897	PULL-KT-77	12	1	7	28		2	(11) MS20220-2, (6) MS20220-3, (5) S1710-1
210R,T210R	21064898-21065009	PULL-KT-78	8		7	28		2	(9) MS20220-2, (4) MS20220-3, (5) S1710-1
P210N	P21000001-P21000834	PULL-KT-81	12	1	7	28		2	(11) MS20220-2, (2) MS20220-3, (5) S1710-1
P210R	P21000835-P21000874	PULL-KT-82	8		7	28		2	(9) MS20220-2, (4) MS20220-3, (5) S1710-1

Partial model eligibility

D A M™ Aircraft Pulley Oil

New name, same dependable oil!

Featuring a re-designed needle oiler.

Great for unreachable areas with traditional applicators.

- Does not dry out and get sticky
- Loosens old stiff pulley grease
- Save the labor of re-oiling the control system every year!



20" Extension P/N 7249
now sold separately!

Convenient Kits	
Qty	Description
P/N PULLEY OIL KIT	
1	Pint, Pulley Oil
1	Needle Oiler with Extension, .34 fl oz (10mL)
P/N PULLEY OILER KIT	
1	Needle Oiler with Extension, .34 fl oz (10mL)
P/N PULLEY OIL	
1	Pint, Pulley Oil





Flight Control System Pulleys for Cessna Aircraft

General Description of Pulleys

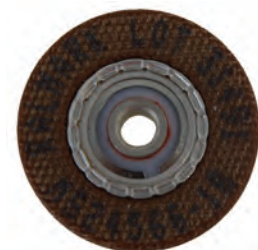
- MCS378- Series: Phenolic flight control pulleys with ball bearings. FAA-PMA approved replacements for the Cessna S378, A-/BB-, and NAS383- series pulleys on Cessna Aircraft
- MS20219- Series: Pulley with high pressure laminated phenolic sheave and fixed ball bearing with contact seal. These supersede the AN219- Series pulleys of like dash number
- MS20219A-Series: Pulley with aluminum alloy sheave and fixed ball bearing with contact seal. Sheave anodized per MIL-A-8625.
- MS20220- Series: Phenolic flight control pulleys with ball bearings. These supersede the AN220- Series pulleys of like dash number.
- MS24566- Series: Phenolic flight control pulleys with ball bearings. These supersede the AN210- series pulleys of like dash number
- NAS383- Series: Phenolic commercial grade pulleys with graphite impregnated bronze sleeve bearings. These are typically used with a bushing. The MCS378- series pulleys supersede these for most Cessna aircraft applications. The MCS378 pulley replaces both the NAS383 pulley and it's bushing
- S394, S1052-1, and S1710-1: Cessna nylon pulleys with no bearings
- S378-4S: Cessna pulley similar to S378-4 but smaller diameter. Used on 177RG s/n 177RG0202 and on, and F177RG0038 and on for routing stabilator, stabilator trim, and rudder cables. Six required per aircraft
- 1660433- Series: Cessna phenolic pulleys with ball bearings



MCS378 Series Pulley



MS20219 Series Pulley



MS24566 Series Pulley

Part Number	Cable Diameter	Outside Diameter	Groove Diameter	Bore Diameter	Pulley Width	Hub Width	Load Limit	Superseded by
A-114	3/16	3.500	2.875	0.380	0.443	----	---	MCS378-4 ¹
A-124	3/32	2.500	2.000	0.255	0.270	----	---	MCS378-2 ¹
A-130	3/16	2.000	1.375	0.380	0.433	----	---	MCS378-3 ¹
AN210-1A	1/16, 5/64, 3/32	1.250	----	0.1900	0.250	0.297	185	MS24566-1B ²
AN210-2A	1/16, 5/64, 3/32	2.500	----	0.1900	0.250	0.297	500	MS24566-2B ²
AN210-3A	1/8, 5/32, 3/16	2.000	----	0.2500	0.422	0.484	450	MS24566-3B ²
AN210-4A	1/8, 5/32, 3/16	3.500	----	0.2500	0.422	0.484	1200	MS24566-4B ²
AN210-1B	1/16, 5/64, 3/32	1.250	0.972	0.1900	0.250	0.297	300	MS24566-1B
AN210-2B	1/16, 5/64, 3/32	2.500	2.222	0.1900	0.250	0.297	500	MS24566-2B
AN210-3B	1/8, 5/32, 3/16	2.000	1.510	0.2500	0.422	0.484	600	MS24566-3B
AN210-4B	1/8, 5/32, 3/16	3.500	3.010	0.2500	0.422	0.484	1200	MS24566-4B
AN210-5B	3/16, 7/32, 1/4	5.000	4.374	0.3750	0.500	0.620	3000	MS24566-5B
AN220-1	1/8, 5/32, 3/16	1.755	1.255	0.3125	0.422	0.625	500	MS20220-1
AN220-2	1/8, 5/32, 3/16	3.005	2.505	0.3125	0.422	0.625	1680	MS20220-2
AN220-3	1/8, 5/32, 3/16	4.255	3.755	0.3125	0.422	0.625	2500	MS20220-3
AN220-4	1/8, 5/32, 3/16	5.505	5.005	0.3125	0.422	0.625	2500	MS20220-4
BB-208	----	----	----	----	----	----	---	MCS378-3 ¹
MCS378-1	1/16, 5/64, 3/32	1.250	0.972	0.1900	0.250	0.297	300	
MCS378-2	1/16, 5/64, 3/32	2.500	2.222	0.1900	0.250	0.297	500	
MCS378-3	1/8, 5/32, 3/16	2.000	1.510	0.2500	0.422	0.484	600	
MCS378-4	1/8, 5/32, 3/16	3.500	3.010	0.2500	0.422	0.484	1200	
MCS378-5	3/16, 7/32, 1/4	5.000	4.374	0.3750	0.500	0.620	3000	
MS20219-1, MS20219A1	1/16, 3/32	1.312	1.000	0.2500	0.310	0.438	480	
MS20219-2, MS20219A2	1/16, 3/32	1.750	1.438	0.2500	0.310	0.438	480	
MS20219-3, MS20219A3	1/16, 3/32	1.750	1.438	0.6250	0.310	0.438	480	
MS20219-4, MS20219A4	1/16, 3/32	2.625	2.312	0.2500	0.310	0.438	920	
MS20219-5, MS20219A5	1/16, 3/32	2.625	2.312	0.6250	0.310	0.438	920	
MS20220-1	1/8, 5/32, 3/16	1.755	1.255	0.3125	0.422	0.625	500	
MS20220-2	1/8, 5/32, 3/16	3.005	2.505	0.3125	0.422	0.625	1680	
MS20220-3	1/8, 5/32, 3/16	4.255	3.755	0.3125	0.422	0.625	2500	
MS20220-4	1/8, 5/32, 3/16	5.505	5.005	0.3125	0.422	0.625	2500	
MS24566-1B	1/16, 5/64, 3/32	1.250	0.972	0.1900	0.250	0.297	300	
MS24566-2B	1/16, 5/64, 3/32	2.500	2.222	0.1900	0.25	0.297	500	
MS24566-3B	1/8, 5/32, 3/16	2.000	1.510	0.2500	0.422	0.484	600	
MS24566-4B	1/8, 5/32, 3/16	3.500	3.010	0.2500	0.422	0.484	1200	
MS24566-5B	3/16, 7/32, 1/4	5.000	4.374	0.3750	0.500	0.620	3000	
NAS383-1	3/32	1.250	0.875	0.255	0.270	----	---	
NAS383-2	3/32	2.500	2.000	0.255	0.270	----	---	MCS378-2 ¹
NAS383-3	3/16	2.000	1.375	0.380	0.443	----	---	MCS378-3 ¹
NAS383-4	3/16	3.500	2.875	0.380	0.443	----	---	MCS378-4 ¹
S378-1 and -1L	1/16, 5/64, 3/32	1.250	0.972	0.1900	0.250	0.297	300	MCS378-1 ¹
S378-2	1/16, 5/64, 3/32	2.500	2.222	0.1900	0.250	0.297	500	MCS378-2 ¹
S378-3 and -3L	1/8, 5/32, 3/16	2.000	1.510	0.2500	0.422	0.484	600	MCS378-3 ¹
S378-4	1/8, 5/32, 3/16	3.500	3.010	0.2500	0.422	0.484	1200	MCS378-4 ¹
S378-4S	1/8, 5/32, 3/16	~3.0	~2.5	0.2500	0.422	0.484	?	
S378-5	3/16, 7/32, 1/4	5.000	4.374	0.3750	0.500	0.620	3000	MCS378-5 ¹
S394	-----	1.000	0.750	0.250	0.410	0.420	-----	
S1052-1	-----	1.060	0.560	0.250	0.690	0.750	-----	
S1710-1	-----	0.750	0.560	0.250	0.410	0.410	-----	
1660433-1	-----	1.250	1.000	0.190	0.250	0.300	-----	
1660433-2	-----	2.250	2.250	0.190	0.250	0.300	-----	

Notes:
¹ Cessna aircraft only
² Not official supersedure. They are dimensionally identical except the MS24566 pulleys have superior bearings.

The listed dimensions and loads are for reference and identification only and are not guaranteed to be accurate.

Hardware

Over 100 certified aircraft control cable hardware part numbers in STOCK at discounted prices!!

- Balls, BM Series
- Balls, Single Shank, MS20664 Series
- Balls, Double Shank, MS20663 Series
- Barrels, Brass, MS21251 Series
- Bushings, AN111 Series
- Locking Clips, MS21256 Series
- Shackles, AN115 Series
- Sleeves, Tin and Zinc, MS51844 Series
- Special Terminals
- Straps, Eye and Fork NAS1435 Series
- Terminals, Eye, MS20668 Series
- Terminals, Fork, MS20667 Series
- Terminals, Stud, MS21259 Series
- Terminals, Turnbuckle MS21260 Series
- Thimbles, AN100 Series
- Turnbuckles, Clevis End, MS21252 Series
- Turnbuckles, Eye end for Pin, MS21254 Series
- Turnbuckles, Eye end for wire rope, MS21255 Series

McFarlane now manufactures NAS1435 and DOD QPL-781 qualified terminals



Rudder Pedals for Cessna Aircraft

Completely New Rudder Pedal P/N AP2000-01

- Less money and longer life!
- Bronze bushings at the pivot points resist wear and vibration for longer pedal life.
- Precision cast heat treated aluminum alloy.
- Powder coat finish for durability and corrosion protection.
- FAA-PMA direct replacement for Cessna P/N1460320-1.



Bronze bushings for a longer life!

Now manufactured by McFarlane!

Rudder Pedal Bar

Avoid risk of costly damage during assembly

P/N AD1260558-1 (LH)
P/N AD1260558-2 (RH)

Each bar includes 2 ea. P/N S1003-43A bearings and 1 ea. P/N 1260419-1 tube pre-assembled. This avoids damage commonly caused while pressing the bearings during installation.

FAA-PMA



P/N AD1260558-1



P/N AD1260558-2

Aircraft Model

210-5 (205), 210-5A (205A)	•	•
206, U206G, TU206G	•	•
206H, T206H	•	•
207A, T207A	•	•
210M,N,R, T210M,N,R, P210	•	•

Rudder Pedal Shaft

P/N AD0411778-2
FAA-PMA



Up to 50% off Cessna!

Aircraft Model

140A	
150, 150A, F150, FA150	
152, A152, F152, FA152	
170, 170A,B	
172, 172A,B,C,D,E,F,G,H,I,J,K,L,M,N,P	
F172D,E,F,G,H,I,J,K,L,M,N,P	
172RG, P172, R172E,F,G,H,K, FP172, FR172	
175, 175A,B	
180, 180A,B,C,D,E,F,G,H,J,K	
182, 182A,B,C,D,E,F,G,H,I,J,K,L,M,N,P,Q,R	
A182, F182, FR182, R182, TR182	
185, 185A,B,C,D,E, A185E,F	
190, 190A, 195, 195A,B	
210-5 (205), 210-5A (205A)	
206, U206, U206A,B,C,D,E	
P206, P206A,B,C,D,E	
207, T207	
210, 210A,B,C,D,E,F,G,H,I,J,K, T210G,H,J	

Aileron Bellcrank Bushing

P/N MC0422280

- Use on all single engine Cessna
- High strength alloy steel
- Replace when replacing aileron cables
- 4 each included in all applicable Cessna cable kits



Custom Fabricated Cables

DOD certified custom cable assemblies can be fabricated to specification MIL-DTL-6117, or certified to your special specifications

- Pre-stretched and proof loaded to MIL-DTL-5688
- Manufactured using the same materials and attention to quality as our FAA-PMA products. We cannot provide FAA-PMA approval for custom cables
- Pricing is based on material usage determined upon receipt of specifications or a pattern. Our sales team can provide a quote at that time
- One to three day service for most orders
- We are a DOD QML-6117 certified cable supplier

Download custom forms at

<http://www.mcfarlaneaviation.com/services>
or call to have one faxed.



Parking Brake Cables for Cessna Aircraft

Don't forget to replace worn out parking brake cables!

Locate your make, model and serial number on the flight control cable pages 155-178 to find the correct part number for your aircraft.



Control Yoke Universal Joint with Protective Sleeve for Cessna Aircraft

Save \$\$\$

P/N MC0411257

- Eliminates slack for precise and responsive control
- Replace worn or corroded joints
- Available separately or in a convenient kit including nuts and bolts

Model
P/Ns MC0411257 and UJC-KT-1 are applicable to each aircraft model listed below
120, 140, 140A
150
150A,B,C,D,E,F,G,H,J,K,L,M
A150K,L,M
F150F,G,H,J,K,L,M
FA150K,L,M; FRA150L,M
152, A152, F152, FA152
170, 170A,B
172, 172A,B,C,D, F172D, FP172, P172D
172E,F,G,H,I,J,K,L,M,N,P,Q,R,S, T-41A
172RG, F172E,F,G,H,I,J,K,L,M,N,P
FR172E,F,G,H,I,J,K, R172K
R172E,F,G,H
175, 175A,B,C
180, 180A,B,C,D,E,F,G,H,J,K
182, 182A,B,C,D
185, 185A,B,C,D,E, A185E,F
210, 210A

Protective sleeve now included with every universal joint!

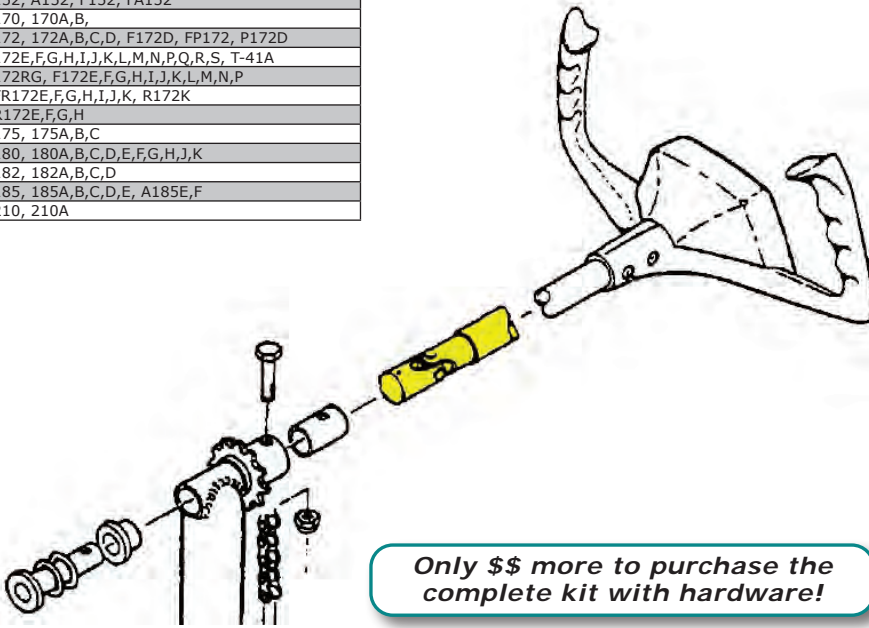
P/N MC0411257
Universal joint with protective sleeve



P/N UJC-KT-1
Universal joint with protective sleeve and attaching hardware



Kit P/N	Qty	Component	Description
UJC-KT-1	2	AN3-10A	Bolt
	2	AN3-11A	Bolt
UJC-KT-1	1	MC0411257	Universal Joint (w/sleeve P/N MC6183)
	2	MS21044N3	Nut



Only \$\$ more to purchase the complete kit with hardware!

Aileron Gap Kit for Cessna Aircraft

Increase performance and safety!

P/N 115-100

Aircraft Development FAA-PMA/STC approved aileron gap seal kit includes aluminum strips to minimize air leakage between the rear wing spar and the aileron. Unlike most kits, this kit seals both the upper and lower gap for maximum aerodynamic effectiveness and efficiency. *This kit isn't a STOL kit, and don't expect miracles with any one of these improvements. However, the improvements are real and when all combined together result in a substantial improvement to your aircraft.*

Increase Performance:

- Reduced drag
- Increased lift
- Increased cruise speed
- Reduced stall speed
- Higher rate-of-climb
- Increased aileron authority
- Increased range (better fuel efficiency)

Increase Safety:

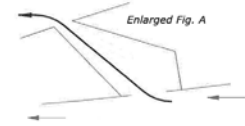
- Better spin resistance
- More aileron authority for crosswinds
- Reduced take-off and landing distances



P/N 115-100

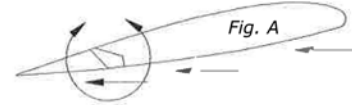
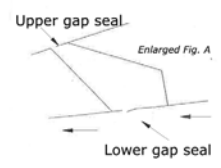
Aileron with no seal

High drag gap area and leak path from high pressure underside of wing to low pressure top side of wing.



Aileron with seal

Gap seals reduce drag and air leaks.



Optional hardware kit includes enough rivets to install the aileron gap kit.
P/N 115H

Model
150 150A,B,C,D,E,F,G,H,J,K,L,M, A150K,L,M
152, A152
170B
172, 172A,B,C,D,E,F,G,H,J,K,L,M,N,P,Q,R,S
172RG, P172D, R172E,F,G,H,J,K
175, 175A,B,C
180, 180A,B,C,D,E,F,G,H,J,K
182, 182A,B,C,D,E,F,G,H,J,K,L,M,N,P,Q,R,S,T, T182, R182, TR182, T182T
185, 185A,B,C,D,E, A185E,F
210-5 (205), 210-5A (205A)
210, 210A,B,C

FAA-PMA Approved

Control Yoke Universal Joint Kits for Piper Aircraft Helps comply with AD 2010-15-10

Save over 60% off Piper price. Just our reamer saves you \$100!

- Individual parts also available separately
- Hardened stainless steel - Nitrided wear surfaces
- Eliminates free motion for precise and responsive control
- Replace worn or corroded joints

AD 2010-15-10 and Piper service bulletin 1197C requires inspection of the connection between the control yoke u-joint and the shaft on the forward (engine) end of the joint. This inspection is a convenient time to replace worn out u-joints. McFarlane has kits including the u-joint, shaft, taper pins, taper reamer, drill bit and other hardware to help comply with this AD, all at a fraction of the cost of buying the parts from Piper.



Flight Control System

Universal Joint Kits for Piper Aircraft			
Model	Serial Number	Left (Pilot)	Right (Copilot)
PA-28-140	28-20001 thru 28-20160	UJP-KT-3 or 3T	UJP-KT-5 or 5T
	28-20161 thru 28-21845	UJP-KT-4 or 4T	UJP-KT-5 or 5T
	28-21846 thru 28-21930	UJP-KT-1 or 1T	UJP-KT-2 or 2T
	28-21931 thru 28-21934	UJP-KT-4 or 4T	UJP-KT-5 or 5T
	28-21935 thru 28-25400	UJP-KT-1 or 1T	UJP-KT-2 or 2T
	28-25401 thru 28-7725290	UJP-KT-2 or 2T	UJP-KT-2 or 2T
PA-28-150	28-1 thru 28-1760, 28-03, 28-1760A	UJP-KT-3 or 3T	UJP-KT-5 or 5T
	28-1761 thru 28-3377	UJP-KT-4 or 4T	UJP-KT-5 or 5T
PA-28-151	All	UJP-KT-1 or 1T	UJP-KT-2 or 2T
	28-1 thru 28-1760, 28-03, 28-1760A	UJP-KT-3 or 3T	UJP-KT-5 or 5T
PA-28-160	28-1761 thru 28-3377	UJP-KT-4 or 4T	UJP-KT-5 or 5T
	28-3378 thru 28-4377	UJP-KT-1 or 1T	UJP-KT-2 or 2T
PA-28-161	All	UJP-KT-2 or 2T	UJP-KT-2 or 2T
	28-671 thru 28-1760, 28-03	UJP-KT-3 or 3T	UJP-KT-5 or 5T
PA-28-180	28-1761 thru 28-3377	UJP-KT-4 or 4T	UJP-KT-5 or 5T
	28-3378 thru 28-4377	UJP-KT-1 or 1T	UJP-KT-2 or 2T
	28-4378 thru 28-7505260, 28-E13	UJP-KT-2 or 2T	UJP-KT-2 or 2T
	All	UJP-KT-2 or 2T	UJP-KT-2 or 2T
PA-28-181	All	UJP-KT-2 or 2T	UJP-KT-2 or 2T
	28-10001 thru 28-10486	UJP-KT-3 or 3T	UJP-KT-5 or 5T
	28-10487 thru 28-10719	UJP-KT-4 or 4T	UJP-KT-5 or 5T
	28-10720 thru 28-11039	UJP-KT-1 or 1T	UJP-KT-2 or 2T
PA-28-235	28-11040 thru 28-7710089, 28E-11	UJP-KT-2 or 2T	UJP-KT-2 or 2T
	All	UJP-KT-2 or 2T	UJP-KT-2 or 2T
	28-28R-180	UJP-KT-2 or 2T	UJP-KT-2 or 2T
	28-28R-200,201	UJP-KT-2 or 2T	UJP-KT-2 or 2T
PA-28R-201T	All	UJP-KT-2 or 2T	UJP-KT-2 or 2T
PA-28RT-201	All	UJP-KT-2 or 2T	UJP-KT-2 or 2T
PA-28RT-201T	All	UJP-KT-2 or 2T	UJP-KT-2 or 2T
PA-28S-160	28-1 thru 28-1760, 28-1760A	UJP-KT-3 or 3T	UJP-KT-5 or 5T
	28-671 thru 28-1760	UJP-KT-3 or 3T	UJP-KT-5 or 5T
	28-1761 thru 28-3377	UJP-KT-4 or 4T	UJP-KT-5 or 5T
	28-3378 thru 28-4377	UJP-KT-1 or 1T	UJP-KT-2 or 2T
PA-28S-180	28-4378 thru 28-7105234	UJP-KT-2 or 2T	UJP-KT-2 or 2T
	32-1 thru 32-600, 32-03, 32-04	UJP-KT-4 or 4T	UJP-KT-5 or 5T
	32-601 thru 32-690	UJP-KT-1 or 1T	UJP-KT-2 or 2T
	32-691 thru 32-7800008	UJP-KT-2 or 2T	UJP-KT-2 or 2T
PA-32-300	32-15, 32-21	UJP-KT-4 or 4T	UJP-KT-5 or 5T
	32-40000 thru 32-40415	UJP-KT-1 or 1T	UJP-KT-2 or 2T
PA-32-301	32-40416 thru 32-7940290	UJP-KT-2 or 2T	UJP-KT-2 or 2T
	All	UJP-KT-2 or 2T	UJP-KT-2 or 2T
PA-32-301T	All	UJP-KT-2 or 2T	UJP-KT-2 or 2T
PA-32R-300	All	UJP-KT-2 or 2T	UJP-KT-2 or 2T
PA-32R-301,301T	All	UJP-KT-2 or 2T	UJP-KT-2 or 2T
PA-32RT-300	All	UJP-KT-2 or 2T	UJP-KT-2 or 2T
PA-32RT-300T	All	UJP-KT-2 or 2T	UJP-KT-2 or 2T
PA-32S-300	32S-15	UJP-KT-4 or 4T	UJP-KT-5 or 5T
	32S-40000 thru 32S-40415	UJP-KT-1 or 1T	UJP-KT-2 or 2T
	32S-40416 thru 32S-7240137	UJP-KT-2 or 2T	UJP-KT-2 or 2T
PA-34-200,200T	All	UJP-KT-2 or 2T	UJP-KT-2 or 2T
PA-34-220T	All	UJP-KT-2 or 2T	UJP-KT-2 or 2T
PA-44-180,180T	All	UJP-KT-2 or 2T	UJP-KT-2 or 2T

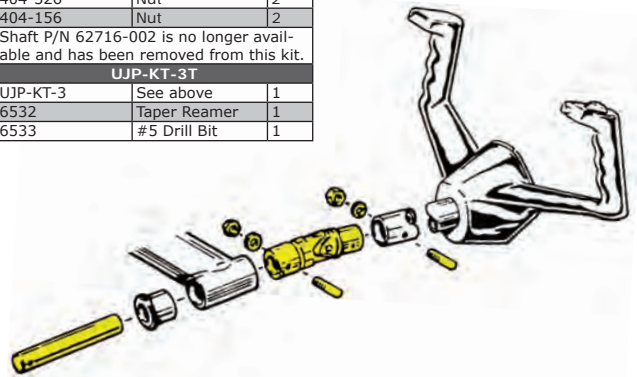
Partial model eligibility

New! Universal Joints
Now stainless steel for longer life

Contact McFarlane Aviation to have your replacement U-joint, P/N CA62834-802SS precision match drilled and avoid having to re-reg the control system.

Part Number	Description	Qty
UJP-KT-1		
CA62834-802SS	Universal Joint	1
AN386-1-6A	Taper Pin	2
NAS1149F0363P	Washer	2
AN975-3	Washer	2
404-526	Nut	2
404-156	Nut	2
UJP-KT-1T		
UJP-KT-1	See above	1
6532	Taper Reamer	1
6533	#5 Drill Bit	1
UJP-KT-2		
CA62834-802SS	Universal Joint	1
62716-007	Shaft	1
AN386-1-6A	Taper Pin	2
NAS1149F0363P	Washer	2
AN975-3	Washer	2
404-526	Nut	2
404-156	Nut	2
UJP-KT-2T		
UJP-KT-2	See above	1
6532	Taper Reamer	1
6533	#5 Drill Bit	1
UJP-KT-3		
CA62834-0005S	Universal Joint	1
AN386-1-6A	Taper Pin	2
NAS1149F0363P	Washer	2
AN975-3	Washer	2
404-526	Nut	2
404-156	Nut	2
UJP-KT-3T		
UJP-KT-3	See above	1
6532	Taper Reamer	1
6533	#5 Drill Bit	1

Shaft P/N 62716-002 is no longer available and has been removed from this kit.



Maintenance Tip:
How do I know if my universal joint needs to be replaced?
A universal joint attaches to each control yoke shaft behind the instrument panel. Universal joint replacement is required if any free motion or rust around the joint pivots is detected or if the joint fails inspection required by AD 2010-15-10.

Having trouble separating the shaft from the universal joint?
We can help! McFarlane offers a service to remove stuck shafts. Call for details.

U-Joint Taper Pin Removal Tool

Part number TOOL107

- Save time and money.
- Makes removal of stuck pins easy.
- Prevents damage from hammering behind the panel.
- Compact to get in tight places.
- Heat treated 4140 Alloy Steel.



Witness Hole Drill Fixture

Piper part number 766-585

A convenient tool for older universal joints that don't have a witness hole. Use to drill a witness hole in Piper universal joints per Piper service bulletin 1197C. Saves time! Avoids disassembly of U-joint and shaft.



Stabilator Trim Kits for Piper Aircraft

Save time and money with convenient kits!

- Shafts and barrels manufactured by PMA Products, Inc.
- Bearing manufactured by Piper

Model	Part Number
PA28-140, 150, 151, 160, 161, 180, 181	PSTAB-KT-1
PA28-235, 236	PSTAB-KT-1
PA28-201T S/N 28-7921001 to 28-7921095	PSTAB-KT-1
PA28R-180, 200, 201, 201T	PSTAB-KT-1
PA32, PA32R	PSTAB-KT-1
PA34-200 S/N 34-7350185 and up	PSTAB-KT-2
PA34-200T, PA34-220T	PSTAB-KT-2

PSTAB-KT-1 Contains

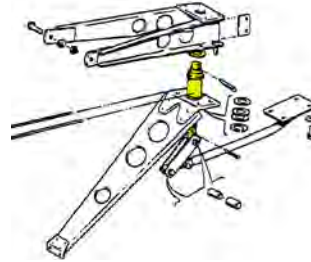
- (1) CA65246-100 Trim Shaft (includes instructions and STC)
- (1) CA63530-100 Trim Barrel (includes instructions and STC)
- (2) 452-413 Bearing

PSTAB-KT-2 Contains

- (1) CA65246-002 Trim Shaft
- (1) CA96596-002 Trim Barrel
- (2) 452-413 Bearing

Notes:

■ S/N 28-10606 and Up
Some trim barrels supplied by Piper were incorrectly manufactured and must be replaced. See Piper SB1251 or later revised service bulletin for more details. This service bulletin is not applicable to P/N CA63530-100 manufactured by PMA Products, Inc., however P/N CA63530-100 may be used to replace trim barrels affected by the service bulletin.



Maintenance Tip:

When replacing the stabilator trim barrel, consider replacing the stabilator trim cables as well. See pages 179-184 to find the correct cable(s) for your aircraft.

Trim Wheel Stop Catch Assembly for Cessna Aircraft

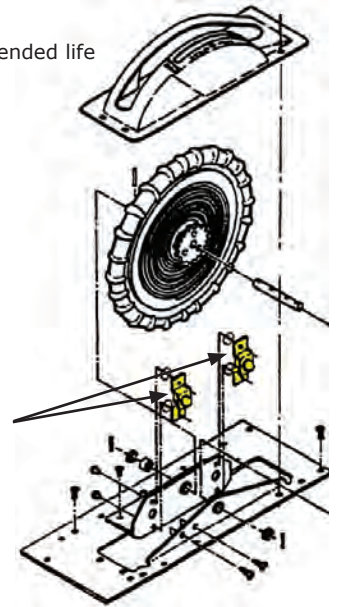
Save more than 75%

- FAA-PMA direct replacement
- Improved durable button for extended life
- 2 required per aircraft

Trim Wheel Catch Assemblies	
P/N	Aircraft
MC0713023-3	180, 180A,B,C,D,E,F
MC0713827-1	180G,H,J,K
MC0713023-3	182, 182A,B,C,D
MC0713023-3	185, 185A,B
MC0713827-1	185C,D,E, A185E,F



Trim wheel stop catch



Long Service Life!

Maintenance Tip:

If you notice mild creep in the trim system this is often caused by worn out trim wheel stop catches. McFarlane offers improved stop catches at a fraction of the cost from the originals.

Trim Wheel Shafts and Sprockets for Cessna Aircraft

Elevator trim shaft and sprocket for most 172 thru 185 and early 210 models.

Rudder trim sprocket for many 182, 205, 206, 207 models.

Aileron trim sprocket for Caravan 208 and 208B aircraft.

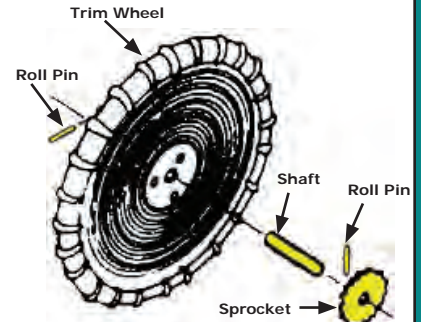
- Stainless Steel
- Heat treated shafts for extra strength
- Resists roll pin hole wear
- Roll pins in stock - P/N MS16562-25 (qty: 2 required per shaft)

Aircraft Model		Part Number				
		MC0432134-1 Sprocket	MC0761210-1 Sprocket	MC0713656-3 Trim Wheel Shaft	MC0761205-2 Trim Wheel Shaft	MC0761205-9 Trim Wheel Shaft
120, 140, 140A	All	•				
150, 150A,B,C,D,E,F,G,H,J,K,L,M, A150K,L,M, F150F,G,H,J,K,L,M, FA150K,L,M	All	•				
152, A152, F152, FA152	All	•				
170, 170A,B	All	•				
172, 172A,B,C,D,E, F172D,E, FP172, P172	All	•				
172F,G,H,I,J,K,L,M,N,P,Q,R,S, 172RG, F172F,G,H,K,L,M,N,P, FR172E,F,G,H,J,K, R172E,F,G,H,K	All	•		•		
175, 175A,B,C	All	•				
177, 177A,B, 177RG, F177RG	All	•				
180, 180A,B,C,D,E,F,G,H	30000 thru 18051607		•		•	
180H,J,K	18051608 and On		•			•
182, 182A,B,C,D	All		•		•	
182E,F,G,H,J,K,L,M,N,P,Q,R,S,T	All	•	•	■		
F182P,Q	All	•	•	■		
FR182	All	•	•			
R182	R18200001 thru R18201798 R18201799 and On	•	•	■		
T182	18267716 thru 18268055 18268056 and On	•	•	■		
T182T	All	•	•	■		
TR182	R18200584 thru R18201798 R18201799 and On	•	•	■		
185, 185A,B,C,D,E, A185E	185-0001 thru 185-0949 185-0950 and On		•		•	
A185F	18502091 thru 18502310 18502311 and On		•		•	
188, 188A,B, A188, A188A,B 188B (w/large hopper), T188C	All		•			
210-5 (205), 210-5A (205A)	All		•	■		
206, 206H, T206H, U206, U206A,B,C,D,E,F,G, TU206A,B,C,D,E,F,G, P206, P206A,B,C,D,E, TP206A,B,C,D,E	All		•	■		
207, 207A, T207, T207A	All		•	■		
208B	208B0001 thru 208B1111		•	■		
210, 210A	All	•			•	

Notes:

All eligibility shown is for elevator/stabilizer/stabilator trim system except where noted.

- Used in rudder trim system
- Used in aileron trim system



FAA-PMA Approved

Flight Control System

Trim Wheel for Cessna Aircraft

Newly designed sprocket is already fastened to the trim wheel, taking the load off of the shaft and roll pins!



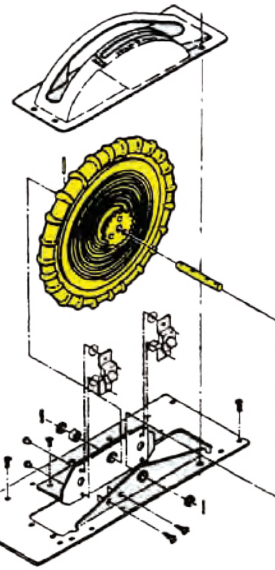
P/N CESSNA TRIM WHEEL KIT

P/N CESSNA TRIM WHEEL KIT-S

- STC approved for Cessna 180, early 182, and 185
- Hard anodized aluminum for durability
- Eliminate roll pin shear

Aircraft	Part Number
180, 180A,B,C,D,E,F,G	CESSNA TRIM WHEEL KIT-S
180H,J,K	CESSNA TRIM WHEEL KIT
182, 182A,B,C	CESSNA TRIM WHEEL KIT-S
185, 185A,B,C,D	CESSNA TRIM WHEEL KIT-S
185D	CESSNA TRIM WHEEL KIT

Notes:
 1 S/N 185-0001 thru 185-0949, use CESSNA TRIM WHEEL KIT-S
 2 S/N 185-0950 and on, use CESSNA TRIM WHEEL KIT



Scan the QR code to watch this product video!



https://youtu.be/_6Bqs5nHXwk



Hardware and roll pins included!

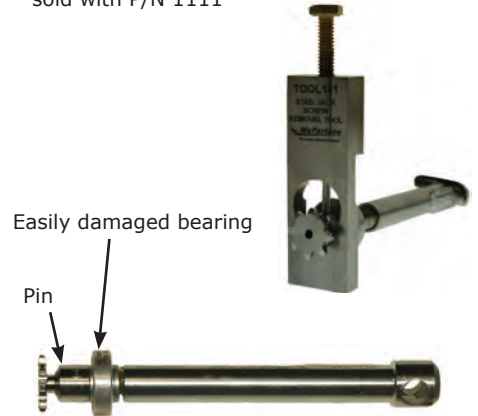
Manufactured by QMI, Inc.

Stabilizer Jack Screw Pin Tool

Avoid costly damage!

P/N TOOL131

- For Cessna 180, 182, 185 jack screws
- Safely remove and easily install your roll pin with a wrench
- No more damaging your jack screw by using a punch and hammer
- Manufactured with hardened stainless steel for increased tool life
- Works only with the larger McFarlane pin sold with P/N 1111



Stabilizer Jack Screw Actuator Kit

Convenient Kit

Our FAA-PMA/STC approved kit replaces all wear components for the stabilizer actuator assemblies for many Cessna 180, 180A-K, 182, 182A-D, 185, 185A-E, A185E-F aircraft.

Improved Material for Extreme Corrosion Resistance

We replaced the original steel components with duplex stainless steel (even better than Monel) for a long life, even in harsh saltwater.

Improved Bearing

Now improved with **Black Max™** nitrocarburized coating to reduce friction and extend service life.

Improved Strength and Reliability

The original Cessna actuators use a 3/32" roll pin to attach the sprockets and retaining collars to the screw bars. These pins are critical as the front of the stabilizer would detach from the airframe if they failed. Although the original roll pins are technically strong enough, the original design is marginal in strength. To provide a more robust design, McFarlane redesigned the sprocket and retaining collar to allow the use of a 5/32" roll pin. This more than doubles the strength of the design. The screw and barrel are match machined for a precision fit.



P/N 1111 Kit Components	
Description	P/N
Barrel	
Match Drilled Assembly 1	
Stainless Steel Roller Chain	6361 3
Connecting Link	6464 3
Eccentric Upper Bushing	6458 2
Lower Bushing	6459 3
Bearing	6460 3
Spring Pin	6461 2 3

Notes:
 1 Consists of the Screw Bar, Bearing, and Sprocket match drilled as a set
 2 Can only be used as a replacement with McFarlane P/N 1111
 3 Can be purchased separate from the kit



Maintenance Tip:
 If the stabilizer is sluggish or jams, clean the barrel and screw jack and re-apply a coating of MIL-PRF-23827 low temperature grease.

For complete instructions, scan the QR code.

www.mcfarlaneaviation.com/media/documents/doc-6465.pdf

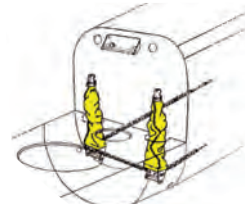


Original Cessna Components	
Description	P/N
P/N 1111 includes all parts required to replace the following Cessna parts in both the left-hand and right-hand actuators.	
Sprocket	0310332
Screw-bar	0712500-11
Barrel	0712500-13
Collar-Retainer	0712500-7
Bushing Eccentric	0712502
Bushing	0712500-7
Bearing	MS20201KP6A
Roll Pin	AN201KP6A
Chain	NAS561-3-8
Chain	0432138-3
Chain	S2295-25-185
Plug	0712500-19

Trim Actuator Boot and Clamp

Now FAA-PMA approved and manufactured by McFarlane!
 Boot P/N MC0712500-18 and Clamp P/N MC7137.

- Fits all 180, 180A-K, 182, 182A-D, 185, 185A-E, A185E-F aircraft
- McFarlane recommends replacing the boot and clamp at the same time
- Flexible, durable, and long life material designed to resist MIL-PRF 23827 grease



Tail Cone Angle Kit

Repair your cracked hockey sticks!
STC approved for Cessna aircraft
P/N TAIL CONE ANGLE KIT

- Save thousands \$\$\$ on parts and labor
- Short installation time
- Machined with stronger 2024-T351 aluminum
- Kit includes everything needed for installation on both sides

Aircraft
180, 180A,B,C,D,E,F,G,H,J,K
182, 182A,B,C,D
185, 185A,B,C,D,E, A185E,F

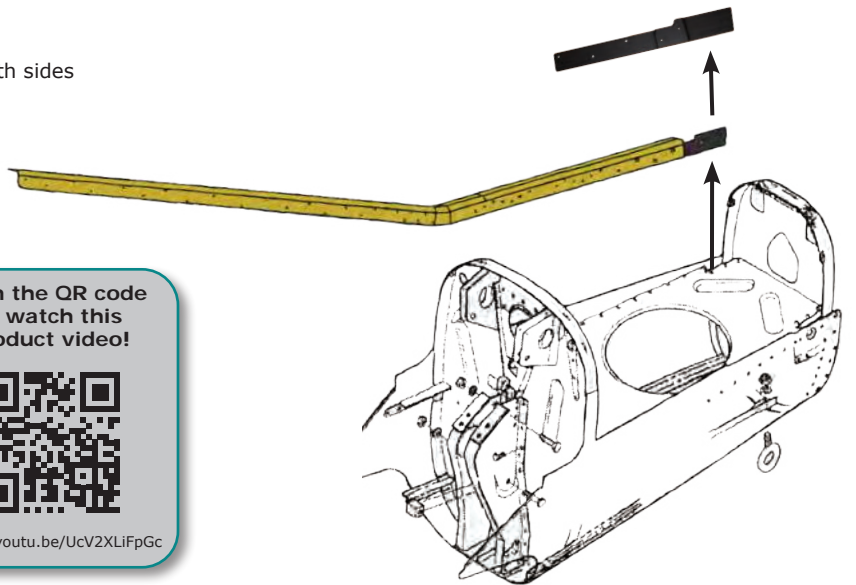


Scan the QR code to watch this product video!

<https://youtu.be/UcV2XLIpGc>

Hockey stick solution for
AD2020-21-22 and SEL-55-01

NEW



Manufactured by QMI, Inc.

Trim Tab Actuator for Cessna Aircraft

FAA-PMA P/N MC1260074-1

- Save thousands \$\$\$
- Nitride hard coated stainless screw for wear and corrosion resistance
- Alumabronze inner barrel prevents corrosion and wear
- Hard anodized sprocket resists chain wear
- Every assembly is tested to -80° F
- Economical actuator service and test, repair, or exchange services



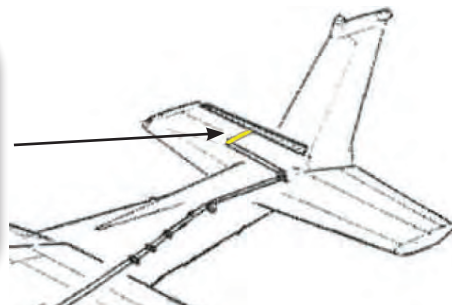
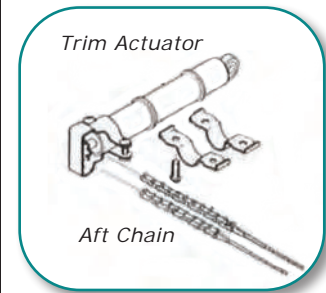
Our Trim Tab Actuator incorporates many design improvements that resolve the known problems of the OEM parts. Longer lasting coatings are utilized for increased service life, smoother operation, and improved corrosion resistance.

Our Trim Tab Actuator is manufactured with high-strength hard stainless steel alloy that has McFarlane's **Black Max™** nitro-carburized coating for maximum wear, low friction, and smoother thread operation than the OEM part. The sprocket is made from stronger aluminum, then anodized for wear and corrosion protection.

1000 Hour Services per Cessna SE73-25

We now offer replacement components and 1000 hour services for **\$495!**
(Pricing valid through December 2021)

- Disassemble, clean, inspect, reset backlash, test, and return to service
- Includes new housing, sintered bearings, groove pins, o-rings, and nuts
- Additional replacement parts quoted at time of service



Trim Tab Actuator P/N MC1260074-1	
Aircraft	Location
120, 140, 140A	Elevator
150, 150A,B,C,D,E,F,G,H,J,K,L,M, A150K,L,M, F150F,G,H,J,K,L,M, FA150K,L,M, FRA150L,M	Elevator
152, A152, F152, FA152	Elevator
170, 170A,B	Elevator
172, 172A,B,C,D,E,F,G,H,I,K,L,M,N,P,Q,R,S, 172RG, F172D,E,F,G,H,K,L,M,N,P, FP172, FR172E,F,G,H,J,K, P172D, R172E,F,G,H,K	Elevator
175, 175A,B,C	Elevator
182E,F,G,H,J,K,L,M,N,P,Q,R,S,T, F182P,Q, FR182, R182, T182, T182T, TR182	Elevator
188, 188A,B, A188, A188A, A188B Includes with large hopper, T188C	Elevator
190, 195, 195A,B	Elevator
210-5 (205), 210-5A (205A)	Elevator
206, P206, P206A,B,C,D,E, TP206A,B,C,D,E, TU206A,B,C,D,E,F, U206, U206A,B,C,D,E,F	Elevator
207, T207 ¹	Elevator
210, 210A,B,C,D,E,F,G,H,J,K,L ² , T210F,G,H,J,K,L ²	Elevator
310, 310B,C,D,F,G,H,I,J, J-1, E310H,J	Elevator & Aileron
310K ³	Elevator & Aileron
310P,Q,R, T310P,Q,R ⁴	Elevator
320, 320-1, 320A,B,C,D	Elevator & Aileron
320E ⁵	Aileron
411, 411A	Elevator

Notes:
¹ S/N 20700001 thru 20700227
² S/N 57001 thru 21060089
³ S/N 310K0001, 310K0046 thru 310K0245
⁴ S/N 310P0001 thru 310R1500
⁵ S/N 320E0001

Trim control wheel parts: see pages 197-198.

FAA-PMA Approved

Aileron, Elevator, Elevator Trim, Flap and Rudder Skins for Cessna Aircraft

New! Smooth rudder and elevator skins for 150 thru 172 models

- Available as convenient kits or individually
- No pre-drilled holes to misalign
- Cut to shape to match the OEM skins
- More precise corrugation spacing and shape
- FAA-PMA direct replacement

See page 201 for complete skin kit contents.

Expanded Eligibility!

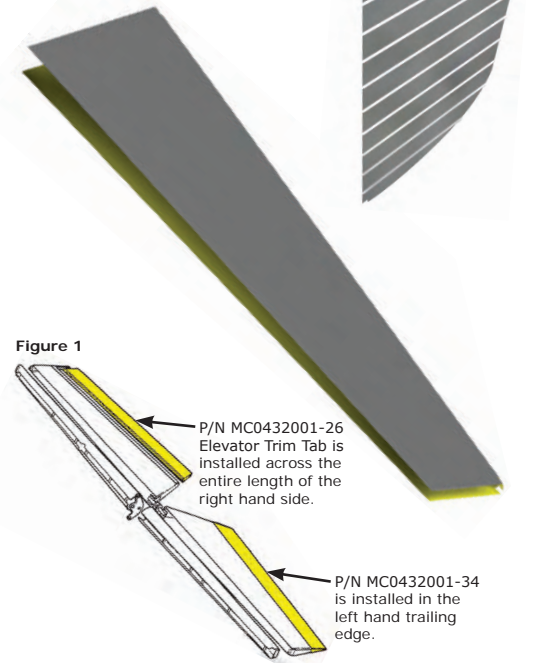
Better and costs less!



NEW

New smooth elevator and rudder skins for 150 thru 172 aircraft!

Model	Aileron Skin Kits	Elevator Skins and Kits	Elevator Trim Skins	Flap Skin Kits	Rudder Skins and Kits
120	SKN-KT-AIL4	SKN-KT-ELEV8		N/A	SKN-KT-RUD6
140	SKN-KT-AIL4	SKN-KT-ELEV8		SKN-KT-FLP9	SKN-KT-RUD6
140A	SKN-KT-AIL1	SKN-KT-ELEV9		SKN-KT-FLP10	SKN-KT-RUD6
150,A,B,C,D,E	SKN-KT-AIL1	MC0432001-34 (LH see figure 1)	MC0432001-26 (RH see figure 1)	SKN-KT-FLP1	MC0431001-3 (trl. edge)
150F,G,H,J,K,L	SKN-KT-AIL1	MC0432001-34 (LH see figure 1)	MC0432001-26 (RH see figure 1)	SKN-KT-FLP1	MC0431004-43
150M, A150M, F150M, FA150M	SKN-KT-AIL1	MC0432001-34 (LH see figure 1)	MC0432001-26 (RH see figure 1)	SKN-KT-FLP1	MC0433010-8
A150K,L, F150F,G,H,J,K,L, FA150K,L	SKN-KT-AIL1	MC0432001-34 (LH see figure 1)	MC0432001-26 (RH see figure 1)	SKN-KT-FLP1	MC0431004-43
152, A152, F152, FA152	SKN-KT-AIL1	MC0432001-34 (LH see figure 1)	MC0432001-26 (RH see figure 1)	SKN-KT-FLP1	N/A
170	SKN-KT-AIL4	SKN-KT-ELEV1	N/A	SKN-KT-FLP11	SKN-KT-RUD1
170A	N/A	N/A	N/A	SKN-KT-FLP12	SKN-KT-RUD1
170B	SKN-KT-AIL1	SKN-KT-ELEV2	N/A	SKN-KT-FLP2	SKN-KT-RUD2
172	SKN-KT-AIL1	SKN-KT-ELEV3	N/A	SKN-KT-FLP2	SKN-KT-RUD3
172A,B,C	SKN-KT-AIL1	SKN-KT-ELEV3	N/A	SKN-KT-FLP2	MC0531006-8
172D,E,F	SKN-KT-AIL1	SKN-KT-ELEV4	N/A	SKN-KT-FLP3	MC0531006-8
172F, G,H,I,K,L,M,N,P	SKN-KT-AIL1	SKN-KT-ELEV4	N/A	SKN-KT-FLP3	MC0531006-70
172P, Q,R,S, (T-41A)	SKN-KT-AIL1	SKN-KT-ELEV4	N/A	SKN-KT-FLP3	MC0533150-3 (Aft)
172RG	SKN-KT-AIL1	SKN-KT-ELEV4	N/A	SKN-KT-FLP3	MC0531006-70
172RG	SKN-KT-AIL1	SKN-KT-ELEV4	N/A	SKN-KT-FLP3	MC0533150-3
F172D,E,F	SKN-KT-AIL1	SKN-KT-ELEV4	N/A	SKN-KT-FLP3	MC0531006-8
F172F, G,H,K,L,M,N,P	SKN-KT-AIL1	SKN-KT-ELEV4	N/A	SKN-KT-FLP3	MC0531006-70
F172P	SKN-KT-AIL1	SKN-KT-ELEV4	N/A	SKN-KT-FLP3	MC0533150-3 (Aft)
FP172	SKN-KT-AIL1	SKN-KT-ELEV4	N/A	SKN-KT-FLP3	N/A
FR172E,F,G,H,J	SKN-KT-AIL1	N/A	N/A	SKN-KT-FLP3	MC0531006-70
FR172K	SKN-KT-AIL1	SKN-KT-ELEV4	N/A	SKN-KT-FLP3	MC0531006-70
P172D	SKN-KT-AIL1	SKN-KT-ELEV4	N/A	SKN-KT-FLP3	MC0531006-8
R172E, F,G,H	N/A	N/A	N/A	N/A	MC0531006-70
R172K	SKN-KT-AIL1	SKN-KT-ELEV4	N/A	SKN-KT-FLP3	MC0531006-70
175	SKN-KT-AIL1	SKN-KT-ELEV3	N/A	SKN-KT-FLP2	SKN-KT-RUD3
175A,B,C	SKN-KT-AIL1	SKN-KT-ELEV3	N/A	SKN-KT-FLP2	MC0531006-8
180, A, B, C, D, E	SKN-KT-AIL1	SKN-KT-ELEV5	N/A	SKN-KT-FLP2	SKN-KT-RUD4
180F,G,H,J,K	SKN-KT-AIL1	SKN-KT-ELEV5	N/A	SKN-KT-FLP3	SKN-KT-RUD4
182, 182A,B	SKN-KT-AIL1	SKN-KT-ELEV5	N/A	SKN-KT-FLP2	SKN-KT-RUD4
182C,D	SKN-KT-AIL1	SKN-KT-ELEV5	N/A	SKN-KT-FLP2	N/A
182E,F,G	SKN-KT-AIL1	SKN-KT-ELEV6	N/A	SKN-KT-FLP4	N/A
182H,J,K,L,M,N,P,Q,R,S,T	SKN-KT-AIL1	SKN-KT-ELEV7	N/A	SKN-KT-FLP4	N/A
A182J,K,L,N	SKN-KT-AIL1	N/A	N/A	SKN-KT-FLP4	N/A
F182P,Q, FR182, R182, TR182, T182, T182T	SKN-KT-AIL1	SKN-KT-ELEV7	N/A	SKN-KT-FLP4	N/A
185,A,B,C,D,E, A185E	SKN-KT-AIL1	SKN-KT-ELEV5	N/A	SKN-KT-FLP2	SKN-KT-RUD4
A185E, F	SKN-KT-AIL1	SKN-KT-ELEV5	N/A	SKN-KT-FLP3	SKN-KT-RUD4
188, 188A, B, A188, A188A, B, T188C	SKN-KT-AIL2	SKN-KT-ELEV6	N/A	SKN-KT-FLP4	SKN-KT-RUD4
190,195,195A,B	N/A	SKN-KT-ELEV1	N/A	N/A	SKN-KT-RUD5
190,195,195A,B	N/A	N/A	N/A	N/A	SKN-KT-RUD5
205 (210-5), 205A (210-5A)	SKN-KT-AIL1	SKN-KT-ELEV6	N/A	SKN-KT-FLP5	N/A
206, U206, U206A, B, TU206A, B	SKN-KT-AIL3	SKN-KT-ELEV7	N/A	SKN-KT-FLP6	N/A
U206C, D, E, F, G, TU206C, D, E, F, G	SKN-KT-AIL3	N/A	N/A	SKN-KT-FLP6	N/A
206H, P206H	SKN-KT-AIL3	N/A	N/A	SKN-KT-FLP6	N/A
P206, P206A, B	SKN-KT-AIL3	SKN-KT-ELEV7	N/A	SKN-KT-FLP7	N/A
P206C, D, E, TP206A, B, C, D, E	SKN-KT-AIL3	N/A	N/A	SKN-KT-FLP7	N/A
207, A, T207, A	SKN-KT-AIL3	N/A	N/A	SKN-KT-FLP8	N/A
210, A	SKN-KT-AIL1	N/A	N/A	SKN-KT-FLP2	N/A
210B	SKN-KT-AIL1	N/A	N/A	SKN-KT-FLP4	N/A
210B	SKN-KT-AIL1	N/A	N/A	SKN-KT-FLP5	N/A
210C	SKN-KT-AIL1	N/A	N/A	SKN-KT-FLP5	N/A
210D, E, F, T210F	SKN-KT-AIL3	N/A	N/A	SKN-KT-FLP7	N/A



FAA-PMA/STC

Now STC approved for 120, 140, 170 and 195 series aircraft to replace trailing edge spot welds with rivets! STC with instructions included.



Photo courtesy of Julian Herzog

Unless otherwise noted, approval is for all serial numbers for each model listed. Note: Elevator Tab skins only included in SKN-KT-ELEV1.

- 1 Kits are approved S/N F15201429 thru F152201952
- 2 Kits are approved S/N FA1520337 thru FA1520387
- 3 S/N 46755 thru 17252000
- 4 S/N 17252001 thru 17275953
- 5 S/N 17275954 and On
- 6 S/N 172RG0001 thru 172RG1134
- 7 S/N 172RG1135 and On
- 8 S/N F172-0001 thru F172-0119
- 9 S/N F172-0120 thru F17202208
- 10 S/N F17202209 and On

- 11 S/N R172-0302 thru R1720620
- 12 Kits are approved S/N A182-0001 thru A182-0146
- 13 Kits are approved S/N All except R18201315
- 14 Kits are approved S/N 185-0001 thru A185-1167
- 15 Kits are approved S/N 18501168 thru 18504448
- 16 Kits are approved S/N 7004 thru 16083
- 17 Kits are approved S/N 16084 thru 16183
- 18 Kits are approved S/N 21057841 thru 21058003
- 19 Kits are approved S/N 21058004 thru 21058085
- 20 Kit is approved for S/N 20608001 thru 20608173 and T20608001 thru T20608361
- 21 If equipped with rudder assembly 0531006-108 use MC0531006-70. If equipped with rudder assembly 0533150-5 use MC0533150-3

Flight Control Surface Parts and Attaching Hardware

Flight Control Surface
and Attaching Hardware

Aileron, Elevator, Flap and Rudder Skins for Cessna Aircraft

Continued from previous page, see eligibility on page 200.

Aileron Skin Kit Components

SKN-KT-AIL1		
Qty	P/N	Location
1	MC0523800-6	Upper Inbd LH
1	MC0523800-7	Upper Inbd RH
1	MC0523800-8	Upper Otbd LH
1	MC0523800-9	Upper Otbd RH
1	MC0523800-10	Lower Inbd LH
1	MC0523800-11	Lower Inbd RH
1	MC0523800-12	Lower Otbd LH
1	MC0523800-13	Lower Otbd RH
SKN-KT-AIL2		
1	MC1624001-5	Upper Inbd LH
1	MC1624001-6	Upper Inbd RH
1	MC1624001-9	Upper Otbd LH
1	MC1624001-10	Upper Otbd RH
1	MC1624001-3	Lower Inbd LH
1	MC1624001-4	Lower Inbd RH
1	MC1624001-7	Lower Otbd LH
1	MC1624001-8	Lower Otbd RH
SKN-KT-AIL3		
1	MC1220085-11	Upper LH
1	MC1220085-12	Upper RH
1	MC1220085-13	Lower LH
1	MC1220085-14	Lower RH
SKN-KT-AIL4		
2	MC0424000-10	Aileron
2	MC0424000-20	Aileron
FAA-PMA/STC. Includes instructions to replace spot welds with rivets.		

Rudder Skin Kit Components

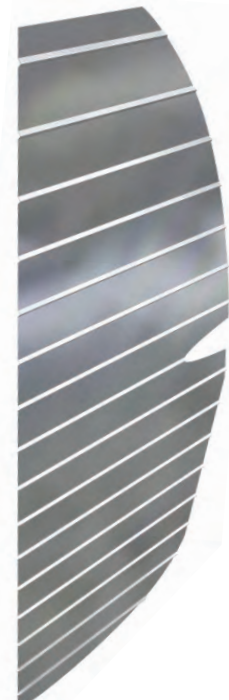
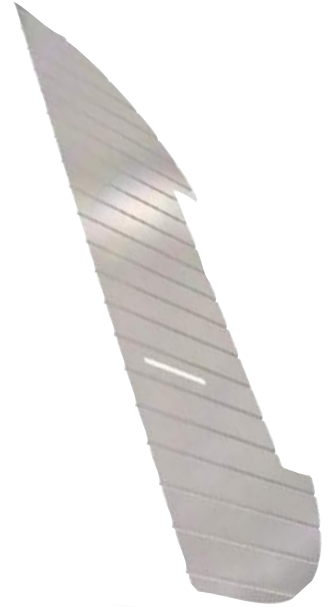
SKN-KT-RUD1		
Qty	P/N	Location
1	MC0333000-4	Upper LH
1	MC0333000-5	Upper RH
1	MC0533000-4	Lower LH
1	MC0533000-5	Lower RH
1	MC0333116	Rudder Tab
SKN-KT-RUD2		
1	MC0533000-20	Upper LH
1	MC0533000-21	Upper RH
1	MC0533000-4	Lower LH
1	MC0533000-5	Lower RH
SKN-KT-RUD3		
1	MC0531001-8	LH
1	MC0531001-9	RH
SKN-KT-RUD4		
1	MC0731000-13	LH
1	MC0731000-14	RH
SKN-KT-RUD5		
2	MC0333000-4	LH
2	MC0333000-5	RH
1	MC0333116	Rudder Tab
SKN-KT-RUD6		
1	MC0433000-30	LH
1	MC0433000-40	RH
1	MC0433127	Rudder Tab
FAA-PMA/STC. Includes instructions to replace spot welds with rivets.		

Elevator Skin Kit Components

SKN-KT-ELEV1		
Qty	P/N	Location
1	MC0334100-3	Tab Upper
1	MC0334100-4	Tab Lower
1	MC0334100-5	Upper RH
1	MC0334100-6	Lower RH
1	MC0334200-3	Lower LH
1	MC0334200-4	Upper LH
SKN-KT-ELEV2		
1	MC0534100-4	Upper LH
1	MC0534100-5	Lower LH
1	MC0534101-4	Lower RH
1	MC0534101-5	Upper RH
SKN-KT-ELEV3		
1	MC0532001-36	Upper RH
1	MC0532001-37	Lower LH
1	MC0532001-38	Lower RH
1	MC0532001-39	Upper LH
SKN-KT-ELEV4		
1	MC055044-1	Lower LH
1	MC055044-2	Lower RH
1	MC055044-3	Upper LH
1	MC055044-4	Upper RH
SKN-KT-ELEV5		
2	MC0734600-4	Upper LH & Lower RH
2	MC0734600-9	Upper RH & Lower LH
SKN-KT-ELEV6		
1	MC0734600-4	Upper LH
1	MC0734600-9	Lower LH
1	MC0734600-14	Lower RH
1	MC0734600-15	Upper RH
SKN-KT-ELEV7		
1	MC1234600-5	Upper LH
1	MC1234600-6	Upper RH
1	MC1234600-7	Lower LH
1	MC1234600-8	Lower RH
SKN-KT-ELEV8		
1	MC0434141-1	Upper LH
1	MC0434142-2	Upper RH
1	MC0434142-3	Lower LH
1	MC0434135-4	Lower RH
1	MC0434135-10	Tab Upper
1	MC0434135-11	Tab Lower
1	MC0434141-1	Upper LH
SKN-KT-ELEV9		
1	MC0434140-2	Upper RH
1	MC0434142-3	Lower LH
1	MC0434135-4	Lower RH
1	MC0434135-15	Tab Upper
1	MC0434135-16	Tab Lower
FAA-PMA/STC. Includes instructions to replace spot welds with rivets.		

Flap Skin Kit Components

SKN-KT-FLP1		
Qty	P/N	Location
1	MC0426901-10	Upper RH
1	MC0426901-11	Upper LH
1	MC0426901-6	Lower LH
1	MC0426901-7	Lower RH
SKN-KT-FLP2		
1	MC0523901-4	Upper LH
1	MC0523901-5	Upper RH
1	MC0523901-6	Lower LH
1	MC0523901-7	Lower RH
SKN-KT-FLP3		
2	MC0523901-201	Upper LH, RH
1	MC0523901-6	Lower LH
1	MC0523901-7	Lower RH
SKN-KT-FLP4		
1	MC0523901-21	Upper LH
1	MC0523901-22	Upper RH
1	MC0523901-19	Lower LH
1	MC0523901-20	Lower RH
SKN-KT-FLP5		
1	MC0523901-25	Upper LH
1	MC0523901-26	Upper RH
1	MC0523901-27	Lower LH
1	MC0523901-28	Lower RH
SKN-KT-FLP6		
1	MC0523901-25	Upper Inbd LH
1	MC1220100-20	Upper Inbd RH
1	MC1220100-5	Upper Otbd LH
1	MC1220100-6	Upper Otbd RH
1	MC0523901-27	Lower Inbd LH
1	MC1220100-18	Lower Inbd RH
1	MC1220100-3	Lower Otbd LH
1	MC1220100-4	Lower Otbd RH
SKN-KT-FLP7		
1	MC0523901-25	Upper Inbd LH
1	MC0523901-26	Upper Inbd RH
1	MC1220100-5	Upper Otbd LH
1	MC1220100-6	Upper Otbd RH
1	MC0523901-27	Lower Inbd LH
1	MC0523901-28	Lower Inbd RH
1	MC1220100-3	Lower Otbd LH
1	MC1220100-4	Lower Otbd RH
SKN-KT-FLP8		
1	MC1220100-33	Upper Inbd LH
1	MC1220100-34	Upper Inbd RH
1	MC1220100-5	Upper Otbd LH
1	MC1220100-6	Upper Otbd RH
1	MC1220100-35	Lower Inbd LH
1	MC1220100-36	Lower Inbd RH
1	MC1220100-3	Lower Otbd LH
1	MC1220100-4	Lower Otbd RH
SKN-KT-FLP9		
2	MC0425000-10	Upper LH, RH
2	MC0425000-20	Lower LH, RH
SKN-KT-FLP10		
2	MC0426900-2	Upper LH, RH
2	MC0426900-4	Lower LH, RH
SKN-KT-FLP11		
2	MC0525000-10	Upper LH, RH
2	MC0525000-20	Lower LH, RH
SKN-KT-FLP12		
2	MC0523900-10	Upper LH, RH
2	MC0523900-20	Lower LH, RH
FAA-PMA/STC. Includes instructions to replace spot welds with rivets.		

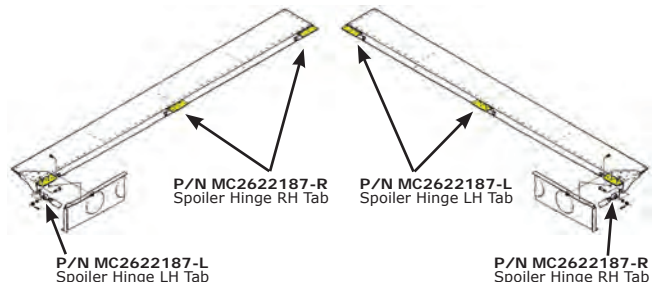


Caravan Spoiler Hinges

Improved McFarlane hinges feature selective fit pins for a longer service life

P/N MC2622187-L (Replaces 2 each 2622187-7, 1 each 2622226-1)
P/N MC2622187-R (Replaces 2 each 2622187-7, 1 each 2622226-2)

- Save \$\$\$
- FAA-PMA direct replacement
- Eligible for all Cessna Caravan 208,208B
- Selective fit pins
- No looseness in the hinge to start vibration wear



FAA-PMA Approved

Flight Control Surface
and Attaching Hardware

Flap Trailing Edge Stiffener for Cessna Aircraft

New streamline shape and improved fit to reduce stress cracks

FAA-PMA Stiffener made of 6061 T6 Aluminum material.
Logbook entry is all that is required.

What is the purpose of a flap trailing edge stiffener?

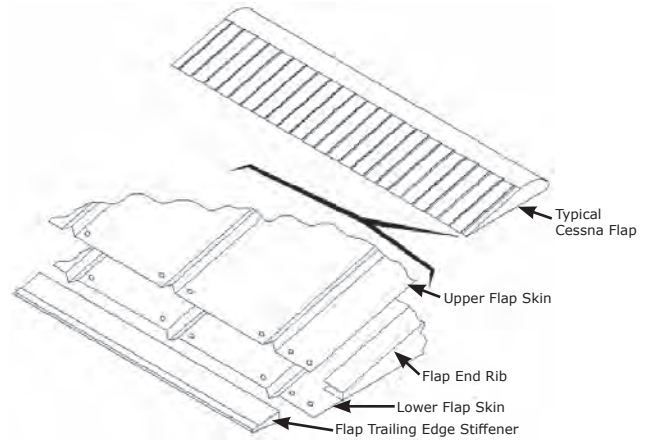
- Reinforce the flap trailing edge making it more resilient to hangar rash
- Ensure a straight trailing edge. Without a stiffener, the trailing edge tends to have "wavy" appearance where the top and bottom skin rivet together
- Reduce stress in the flap skins and prevent cracks around the rivets. Without a stiffener of the proper shape, the skin must abruptly bend where the top and bottom skins rivet together
- Provide a blunt surface, thus preventing diamond shaped cut patterns on the foreheads of pilots and passengers

New Improved Fit to Reduce Skin Stress

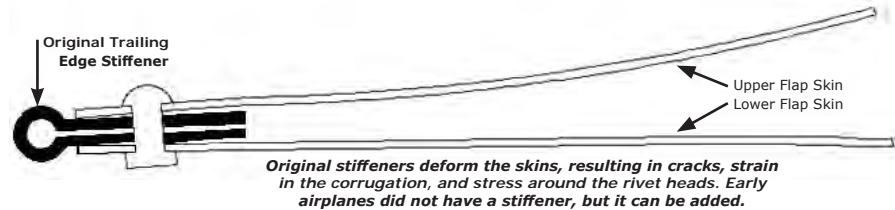
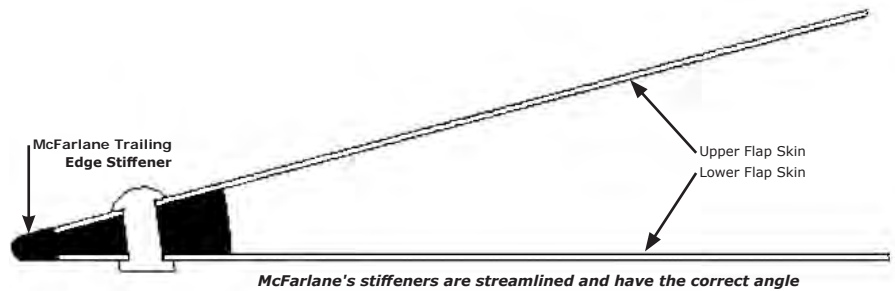
Our new McFarlane stiffeners are accurately shaped to the same angle that the top and bottom skins come together to completely eliminate the bending stress due to riveting the skins together. This prevents stress concentrations in the skin corrugations and near the rivets making cracks less likely. McFarlane has improved the stiffener angle as compared to other brand of triangle stiffeners.

New Streamline Shape

Our new design smoothly transitions from the skin surface to a blunt trailing edge without an unsightly bulb and resultant drag found on common trailing edge stiffeners. The new shape even weighs less than other bulky stiffeners.



Aircraft	Part Number
150, 150A,B,C,D,E,F,G,H,J,K,L,M	MC1741-79.5
A-150L, A-A150L, A150K,L,M	MC1741-79.5
F150F,G,H,J,K,L,M	MC1741-79.5
FA150K,L,M	MC1741-79.5
FRA150L,M	MC1741-79.5
152, A152, F152, FA152	MC1741-79.5
170B	MC1741-79.5
172, 172A,B,C,D,E,F,G,H,I,K,L,M,N,P,Q,R,S	MC1741-79.5
172RG	MC1741-79.5
F172D,E,F,G,H,K,L,M,N,P	MC1741-79.5
FP172	MC1741-79.5
FR172E,F,G,H,J,K	MC1741-79.5
P172D	MC1741-79.5
R172E,F,G,H,K	MC1741-79.5
175, 175A,B,C	MC1741-79.5
180, 180A,B,C,D,E,F,G,H,J,K	MC1741-79.5
182, 182A,B,C,D,E,F,G,H,I,K,L,M,N,P,Q,R,S,T	MC1741-79.5
F182P,Q	MC1741-79.5
FR182, R182, T182, T182T, TR182	MC1741-79.5
185, 185A,B,C,D,E, A185E,F	MC1741-79.5
188, 188A,B, A188, A188A,B, T188C	MC1741-79.5
(205) 210-5	MC1741-79.5
(205A) 210-5A	MC1741-79.5
206, 206H, T206H	MC1741-116.25
P206, P206A,B,C,D,E	MC1741-116.25
TP206A,B,C,D,E	MC1741-116.25
TU206A,B,C,D,E,F,G	MC1741-116.25
U206, U206A,B,C,D,E,F,G	MC1741-116.25
207, 207A, T207, T207A	MC1741-116.25
210, 210A,B,C	MC1741-79.5
210D,E,F	MC1741-116.25



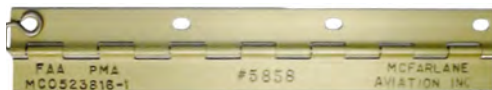
Aluminum Aileron Hinge for Cessna

P/N MC0523816-1

- Selective fit, positive capture, stainless steel pin
- No looseness in the hinge to start vibration wear
- No cotter keys to fail
- Anodized for better corrosion and wear resistance
- Replaces part number 0523816-1 and 0523807

Aircraft

150,152,170,172,175,180,182,185,205,210 (All serial numbers)



Flap Wear Buttons

P/N S1093-1

- Prevents flap leading edge skin wear
- Nylon construction
- Available in 30 packs



Manufactured by Cessna

Flap and Aileron Rod Ends

Rod Ends for Cessna and Piper Aircraft
See pages 36-38 for details.



Flight Control Surface and Attaching Hardware

Aileron Rod Assembly for Piper PA-28/28R Series

Save \$\$\$

40% off Piper!
P/N CA62766-000

- High quality 4130 steel construction
- Replaceable aft rod end bearing (P/N CA452-334A)
- Includes ICA with improved inspection procedures

Maintenance Tip:

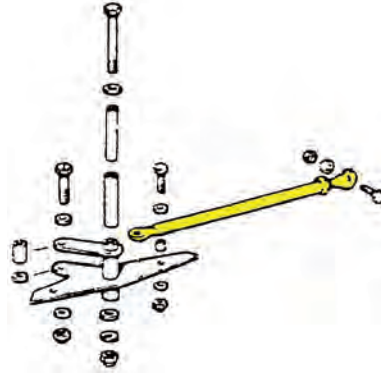
PMA Products recommends replacement when there is:

- more than 0.010 inch radial free play in either bearing
- any corrosion on either bearing
- significant corrosion or other damage to the tube
- see ICA at www.mcfarlaneaviation/reference/ for details

FAA-PMA approved for aircraft models:

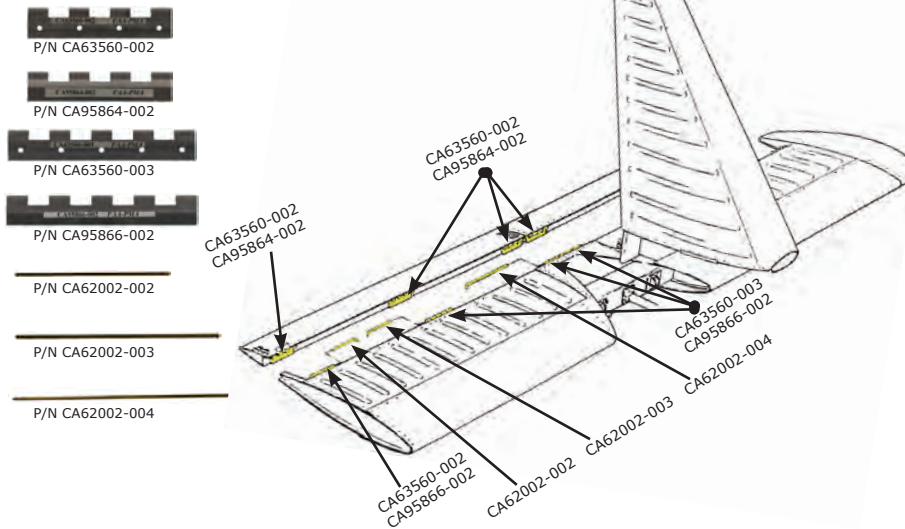
PA-28-140, 150, 160, 180, 235, PA-28R-180, 200 (All serial numbers)
2 required per aircraft

Manufactured by PMA Products, Inc.



Stabilator Trim Tab Hinges for Piper Aircraft Another convenient fit from McFarlane!

- Pins and hinge halves each sold separately or as convenient kits
- One kit required per aircraft
- Kit components are FAA-PMA approved



Manufactured by PMA Products

Aircraft	Trim Tab Hinge Kit	Trim Tab Pin Only Kit
PA-28-140, 150, 151, 160, 161	PTH-KT-1	PTP-KT-1
PA-28-180	PTH-KT-1 1	PTP-KT-1
PA-28-181	PTH-KT-1	PTP-KT-1
PA-28-201T	PTH-KT-1	PTP-KT-1
PA-28-235	PTH-KT-1 2	PTP-KT-1
PA-28-236	PTH-KT-1	PTP-KT-1
PA-28R-180	PTH-KT-1	PTP-KT-1
PA-28R-200	PTH-KT-1 3	PTP-KT-1
PA-28R-201, 201T	PTH-KT-1	PTP-KT-1
PA-28RT-201, 201T		PTP-KT-1
PA-32-260	PTH-KT-1	PTP-KT-1
PA-32-300, PA-32R-300	PTH-KT-1	PTP-KT-1
PA-32-301, 301T	PTH-KT-1	PTP-KT-1
PA-32R-301, 301T	PTH-KT-1	PTP-KT-1
PA-32RT-300, 300T		PTP-KT-1
PA-34-200, 200T, 220T	PTH-KT-2	PTP-KT-2
PA-44-180, 180T		PTP-KT-1

Kits are eligible for all serial numbers of each model unless noted below.

- 1 S/Ns 28-671 thru 28-7205328 and 28-7305001 thru 28-7505260 only
- 2 S/Ns 28-10001 thru 28-7210023 and 28-7310001 thru 28-7710089 only
- 3 S/Ns 28R-35001 thru 28R-7135238 and 28R-7235001 thru 28R-7635545 only

Qty	Part Number	Description
Piper Trim Tab Hinge Kit P/N PTH-KT-1		
2	CA62002-002	Pin, Hinge, Outboard
2	CA62002-003	Pin, Hinge, Center
1	CA62002-004	Pin, Hinge, Inboard
8	CA63560-002	Hinge Half
4	CA63560-003	Hinge Half
Piper Trim Tab Pin Kit P/N PTP-KT-1		
2	CA62002-002	Pin, Hinge, Outboard
2	CA62002-003	Pin, Hinge, Center
1	CA62002-004	Pin, Hinge, Inboard
Piper Trim Tab Hinge Kit P/N PTH-KT-2		
4	CA62002-003	Pin, Hinge, Outboard or Center
1	CA62002-004	Pin, Hinge, Inboard
6	CA95864-002	Hinge Half
6	CA95866-002	Hinge Half
Piper Trim Tab Pin Kit P/N PTP-KT-2		
4	CA62002-003	Pin, Hinge, Outboard or Center
1	CA62002-004	Pin, Hinge, Inboard

Aileron Hinges for Piper Aircraft

- Hinge pins are Teflon coated
- FAA-PMA/STC approved
- Direct replacement



Aircraft	62371-108 Qty/Aircraft	CA35636-100 Qty/Aircraft
PA-28-140	4	
PA-28-150	4	
PA-28-151 1		2
PA-28-160	4	
PA-28-161		2
PA-28-180	4	
PA-28-181	4	2
PA-28-201T	4	2
PA-28-235	4	
PA-28-236	4	2
PA-28-R180	4	
PA-28R-200	4	
PA-28R-201	4	2
PA-28R-201T	4	2
PA-28RT-201	4	2
PA-28RT-201T	4	2
PA-32-260	4	
PA-32-300	4	
PA-32RT-300, 300T	4	
PA-34-200	4	

1 S/Ns 28-7615001 and on

Note:

When both part numbers are eligible verify correct part number by length:
P/N 62371-108 is 5"
P/N CA35636-100 is 7.5"



Manufactured by PMA Products

FAA-PMA Approved

Flight Control Surface and Attaching Hardware

Flap Tracks for Cessna Aircraft

Replace worn-out tracks to prevent dangerous and expensive binding problems!

- Improved Material
 - 20% Stronger
 - 6 Times fatigue strength
 - Greater resistance to 'mushrooming' and stress cracking
- Precision machined for smooth rolling action
- No pre-drilled holes for a precise, clean installation
- Replace just the track, not the entire rib assembly (Cessna only lists the rib assembly for most aircraft)
 - Eliminates the need to drill into the fuel tank area
- Alodined then epoxy primed per MIL-PRF-23377 for corrosion protection
- Installation instructions included



Cessna Flap Track Rib Assembly Part Number	Cessna Flap Track Part Number	McFarlane Flap Track Part Number
0523231-13		
0523231-21	0523231-14 [5]	MC0523231-14
0523231-23		
0525001-1		
0525001-1S	0525001-2 [6]	MC0525001-2
2425001-1		
1220058-1	1220048-1 [6]	MC1220048-1
1220052-2		
1221010-7		
1221010-7AGW		
1221010-15		
1221010-16	1221010-8 [6]	MC1221010-8
1221010-19		
1221010-19AGW		
1221010-20		
1221010-20AGW		
N/A	1221064-19 [6]	MC1221064-19
	1221064-20 [6]	MC1221064-20
	1221064-21 [6]	MC1221064-21



Caravan 208 Flap Track

- NDI inspected throughout the manufacturing process
- **Save thousands!**

Caravan flap roller kits on pages 206-207!
Save 60% on MS21442-121 Bearings



Aircraft	Quantity per Aircraft										
	Part Number	MC0523231-14	MC0525001-2	MC1220048-1	MC1221010-8	MC1221064-19	MC1221064-20	MC1221064-21	MC2622075-4	MC2622075-5	MC2622075-6
150,150A,B,C,D,E,F,G,H,J,K,L,M		4									
A150K,L,M		4									
F150F,G,H,J,K,L,M, FA150K,L,M		4									
152 [1] S/N 15279406 thru 15285564 [2]		4	4								
152 [1] S/N 15285565 thru 15286033			4								
A152 [1] S/N A1520735 thru A1521014 [2]		4	4								
A152 [1] S/N A1521015 thru A1521049			4								
F152 [1] S/N F15201429 thru F15201908 [2]		4	4								
F152 [1] S/N F15201909 thru F15201980			4								
FA152 [1] S/N FA1520337 thru FA1520387 [2]		4	4								
FA152 [1] S/N FA1520388 thru FA1520425			4								
170B		4									
172,172A,B,C,D,E,F,G,H,I,K,L,M,N		4									
172P,R,S, F172P			4								
172RG S/N 172RG0001 thru 172RG0409 [2]		4	4								
172RG S/N 172RG0410 thru 172RG1191			4								
F172D,E,F,G,H,K,L,M,N		4									
FP172		4									
FR172E,F,G,H,J,K [1] S/N FR17200591 thru FR17200665		4									
FR172K [1] S/N FR17200666 thru FR17200675			4								
P172D		4									
R172E,F,G,H,K		4									
R172K [1] S/N R1723400 thru R1723454			4								
175,175A,B,C			4								
177,177A,B,177RG,F177RG					2	2	2				
180,180A,B,C,D,E,F,G,H,J,K					4						
182,182A,B,C,D,E,F,G,H,J,K,L,M,N,P,Q					4						
182S,T					4						
F182P,Q					4						
FR182					4						
R182, T182, T182T					4						
185,185A,B,C,D,E,A185E,F					4						
188A,B,A188B					4						
210-5 (205), 210-5A (205A)					4						
206,U206,U206A,B,C,D,E,F,G,TU206F,G			2	4							
206H,T206H					6						
P206,P206A,B,C,D,E			2	4							
207,207A,T207,T207A				2	4						
208 S/N 20800001 thru 20800164 [3]									4	2	
208 S/N 20800001 thru 20800164 [4]									2	2	2
208 S/N 20800165 thru 20899999									4	2	
208B S/N 208B0001 thru 208B0194 [3]									4	2	
208B S/N 208B0001 thru 208B0194 [4]									2	2	2
208B S/N 208B0195 thru 208B9999									4	2	
210A,B,C					4						
210D,E,F			2	4							
210G,H,J,K,L,M,N,R					2	2	2				
P210N,R					2	2	2				
T210F			2	4							
T210G,H,J,K,L,M,N,R					2	2	2				

Notes:
 [1] Partial model eligibility
 [2] Models 152, A152, F152, FA152 and 172RG aircraft may have various flap track rib assemblies installed. If flap track rib assembly P/N 0523231-23 is currently installed, then McFarlane P/N MC0523231-14 must be used to replace the flap track. If flap track rib assembly P/N 0525001-1, 0525001-1S or 2425001-1 is currently installed, then McFarlane P/N MC0525001-2 must be used to replace the flap track. Flap track rib assembly 0523231-23 includes a 0.160 inch thick flap track with no lightening hole. Flap track rib assemblies 0525001-1, 0525001-1S and 2425001-1 include a 0.25 inch thick flap track with a 2.25 inches lightening hole located between the flap roller slots.
 [3] With service kit SK208-71
 [4] Without service kit SK208-71
 [5] Part numbers do not appear in the Illustrated Parts Catalogs; only track assembly part numbers are listed.
 [6] Part numbers appear directly in Illustrated Parts Catalogs; no assembly part numbers exist.

Flap Track Wear Gauge for Cessna Aircraft

P/N 950

Use to determine if a Cessna flap track is worn beyond service limits.

Flap Track Wear Gauge Instructions

Run the gauge plug along each slot in each flap track while verifying that the gauge will not enter the slot. Reposition the flaps as required to gauge the entire length of each slot. If the gauge enters a slot at any point, the track is worn beyond service limits. Periodically verify the gauge diameter by measuring the gauge diameter with a calibrated micrometer.



This gauge will work for all single engine Cessna aircraft except 140A, 170A and 195.

Flight Control Surface and Attaching Hardware

Flap Roller Kits for Cessna Aircraft

McFarlane offers a basic flap roller kit or an upgrade kit to address flap arm wear problems. Each flap roller kit contains enough components for one aircraft. All components are also available separately.

See *eligibility and kit component lists on the following page.*

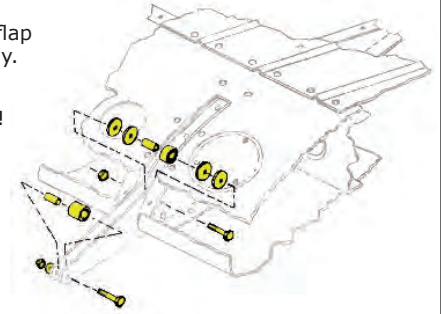
Now available - Flap roller kits for Cessna Caravan 208 and Skymaster 336/337 aircraft!

Basic kits include

Rollers, bushings, shims and spacers where required

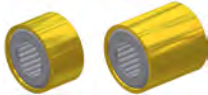
Upgrade kits include

Rollers, bushings, shims, spacers where required, MCSK100 Flap Service Kits, wear washers, SEB95-3 Rev. 1 and hardware (nuts, bolts and washers)



Rollers

- Cadmium plated for corrosion resistance
- Precision bearings for smooth, reliable operation



Bushings

- Heat treated bearing quality stainless steel
- Precision ground
- Improved wear and corrosion resistance



Shims and Spacers

- Stainless steel shims
- Self-lubricating nylon spacers



Hardware

- Nuts, bolts and washers
- Extra hardware included, installer must determine the correct nut, bolt and washer combination for specific aircraft



Wear Washers and SEB95-3 Rev. 1

- Stops forward roller location flap arm wear
- Service Bulletin SEB95-3 Rev. 1 is copyrighted by Cessna



MCSK100 Flap Roller Service Kits

- Stops aft roller location flap arm wear
- Unique McFarlane solution

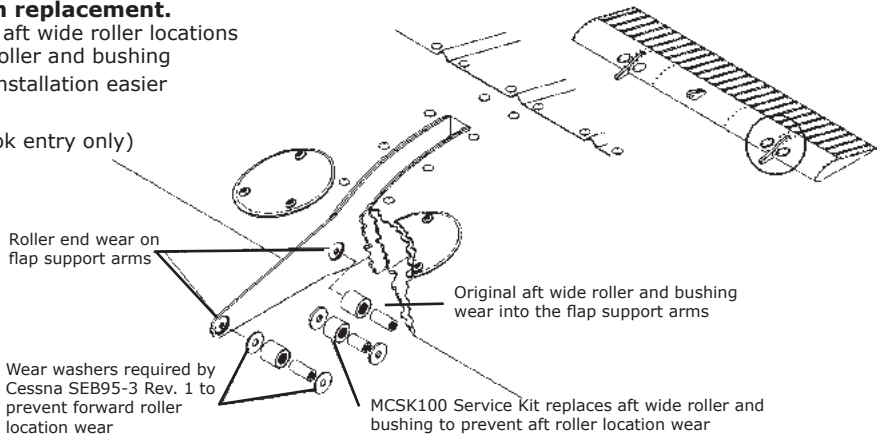


MCSK100 Flap Roller Service Kit for Cessna Aircraft

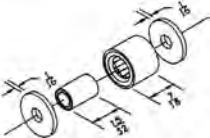
Stops flap arm wear! Prevents costly flap arm replacement.

- A permanent solution to the wear problem at the aft wide roller locations
- Includes two stepped washers, a medium width roller and bushing
- Stepped washers interlock with bushing making installation easier
- Replaces the aft wide roller and bushing
- FAA-PMA/STC approved (Minor alteration - logbook entry only)
- Applicable to most single engine Cessna aircraft
- Economical!

Easier installation with our tool! P/N 970



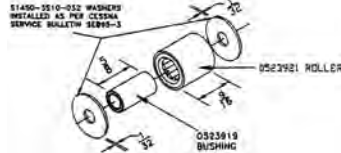
MCSK100 Flap Roller Service Kit



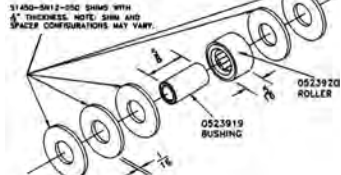
MCSK100 replaces aft wide roller assembly



MCSK100 DOES NOT replace forward wide roller assembly



MCSK100 DOES NOT replace narrow roller assembly



Technical Background:

The flap rollers wear into the flap support arms on Cessna aircraft. This wear is caused by the flap rollers due to the asymmetric extension or retraction of the flap during flight. This asymmetry is caused by the inboard or outboard section of the flap leading the retraction or extension of the flap. Many factors, including rusty or damaged rollers or flap track imperfections, can contribute to this condition. This asymmetry causes the rollers to be pressed against the flap support arms (roller end loading) which, over time, causes damage to the flap support arms and structurally weakens the flap.

Cessna Service Bulletin SEB95-3 (Included in all FLP-KT series kits) addresses this issue by calling for the inspection and repair or replacement of the support arms and rollers. Cessna Service Bulletin SEB95-3 also requires the installation of stainless steel washers on each side of the forward rollers to reduce the wear between the roller and the support arms. SEB95-3, however, did not offer a preventative solution to the wear problem experienced at the aft roller locations. MCSK100 is a permanent solution that addresses the aft flap support arm wear problem. Installation is considered a minor alteration and does not require the filing of FAA Form 337. Only a logbook entry is required for this STC.

It is important that the Cessna Service Bulletin SEB95-3 is fully complied with before MCSK100 is installed.



FAA-PMA Approved

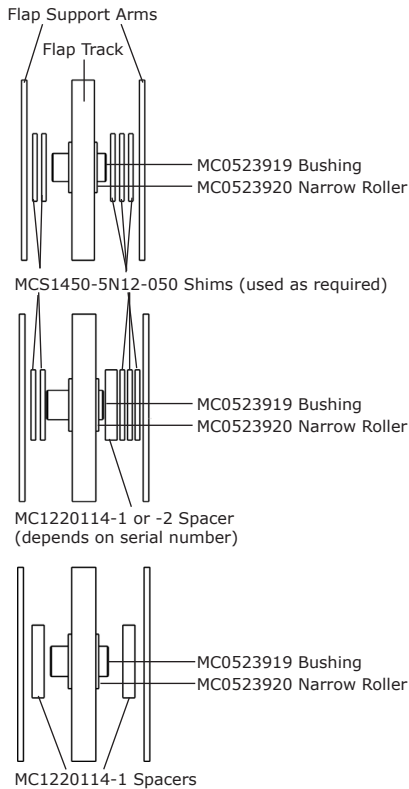
Easier installation with our tool! P/N 970

Flight Control Surface and Attaching Hardware

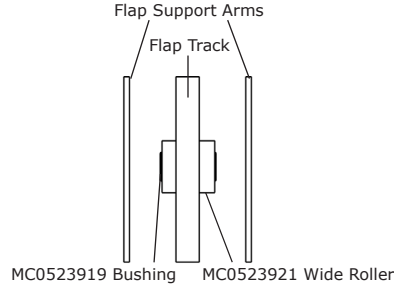
Cessna Flap Attachment Configurations

- All configurations shown are for example only. Types and quantities of shims and spacers will vary between aircraft. Refer to your aircraft's parts catalog for specific configuration
- McFarlane flap upgrade kits include all required bolts, nuts and washers

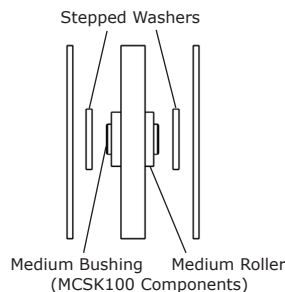
Aft Narrow Roller Locations (example configurations)



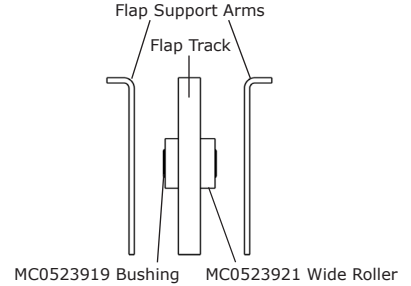
Aft Wide Roller Locations Original Configuration



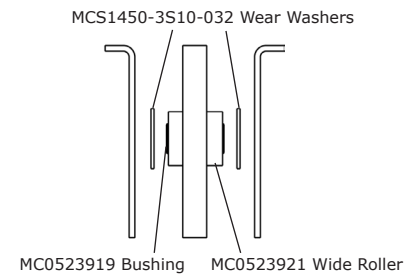
Aft Wide Roller Locations with MCSK100 Service Kit



Forward Roller Locations Original Configuration



Forward Roller Locations with Wear Washers per Cessna SEB95-3 Rev. 1



Eligibility for Flap Roller Kits for Cessna Aircraft

Model	Serial Number	Part Numbers	Model	Serial Number	Part Numbers
150, 150A, B, C, D, E, F, G, H, J	All	FLP-KT-1 or 1U	FR182	All	FLP-KT-3 or 3U
150K, L, M	All	FLP-KT-2 or 2U	R182(RG)/TR182	All	FLP-KT-3 or 3U
A150K, L, M	All	FLP-KT-2 or 2U	T182T	All	FLP-KT-3 or 3U
F150F, G, H, J	All	FLP-KT-1 or 1U	185, 185A, B, C, D, E/A185E, F	1850001 thru 18502310	FLP-KT-1 or 1U
F150K, L, M	All	FLP-KT-2 or 2U	A185F	18502311 thru 18504448	FLP-KT-8 or 8U
FA150K, L/FRA150L, M	All	FLP-KT-2 or 2U	188, 188A, B/A188A, B	1880001 thru 18802348	FLP-KT-3 or 3U
152	15279406 thru 15285564	FLP-KT-2 or 2U	A188B	18800967T thru 18803968T	FLP-KT-3 or 3U
	15285565 thru 15286033	FLP-KT-3 or 3U	T188C	All	FLP-KT-3 or 3U
F152	F15201429 thru F15201908	FLP-KT-2 or 2U	210-5 (205), 210-5A (205A)	All	FLP-KT-1 or 1U
	F15201909 thru F15201980	FLP-KT-3 or 3U	206	All	FLP-KT-4 or 4U
A152	A1520735 thru A1521014	FLP-KT-2 or 2U	206H/T206H	All	FLP-KT-11 or 11U
	A1521015 thru A1521049	FLP-KT-3 or 3U	P206, A, B, C, D, E	All	FLP-KT-4 or 4U
FA152	FA1520337 thru FA1520387	FLP-KT-2 or 2U	TP206A, B, C, D, E	All	FLP-KT-4 or 4U
	FA1520388 thru FA1520425	FLP-KT-3 or 3U	TU206A, B, C, D, E	U2060487 thru U20601568	FLP-KT-4 or 4U
170B	All	FLP-KT-1 or 1U	TU206E, F, G	U20601569 thru U20607020	FLP-KT-9 or 9U
172, 172A, B, C	All	FLP-KT-1 or 1U	U206, U206A, B, C, D, E	U2060276 thru U20601568	FLP-KT-4 or 4U
172D, E, F, G, H, I, K, L, M, N	All	FLP-KT-2 or 2U	U206E, F, G	U20601569 thru U20607020	FLP-KT-9 or 9U
172RG	172RG0001 thru 172RG0416	FLP-KT-2 or 2U	207, 207A, T207, T207A	All	FLP-KT-4 or 4U
	172RG0417 thru 172RG1191	FLP-KT-3 or 3U	208, 208A, B	All	FLP-KT-12
172P, Q	All	FLP-KT-3 or 3U	210, A, B, C	All	FLP-KT-1 or 1U
172R	All	FLP-KT-3 or 3U	210D, E, F	All	FLP-KT-6
172S	All	FLP-KT-3 or 3U	210G, H, J, K, L, M, N, R	All	FLP-KT-7
F172D, E, F, G, H, K, L, M, N	All	FLP-KT-2 or 2U	P210N, R	All	FLP-KT-7
F172P	All	FLP-KT-3 or 3U	T210F	All	FLP-KT-6
FR172E, F	All	FLP-KT-1 or 1U	T210G, H, J, N	All	FLP-KT-7
FR172G, H, J	All	FLP-KT-2 or 2U	336	All	FLP-KT-13
FR172K	All	FLP-KT-8 or 8U	337, 337A, B, C, D, E, F, G, H	All	FLP-KT-14
P172	All	FLP-KT-2 or 2U	F337E, F, G, H	All	FLP-KT-14
R172K	All	FLP-KT-8 or 8U	FT337E, F	All	FLP-KT-14
175, 175A, B, C	All	FLP-KT-1 or 1U	FT337GP, HP	All	FLP-KT-15
177, 177A, B	All	FLP-KT-4 or 4U	M337B	All	FLP-KT-14
177RG	All	FLP-KT-4 or 4U	P337H	All	FLP-KT-15
F177RG	All	FLP-KT-4 or 4U	T337B, C, D, E, F	All	FLP-KT-14
180, A, B, C, D, E, F, G, H, J	30000 thru 18052384	FLP-KT-1 or 1U	T337G	All	FLP-KT-15
180, K	18052385 thru 18053203	FLP-KT-8 or 8U	T337H	All	FLP-KT-14
182, 182A, B, C, D	All	FLP-KT-1 or 1U	T337H-SP	All	FLP-KT-15
182, E, F, G, H, J, K, L, M, N, P, Q, R	All	FLP-KT-3 or 3U			
182S, T	All	FLP-KT-3 or 3U			
A182J, K, L, M, N	All	FLP-KT-3 or 3U			
F182P, Q	All	FLP-KT-3 or 3U			

Save 60% on hard to find MS21442-121 bearings included in FLP-KT-12 or purchase separately!

Kit components are listed on the following page.



Flight Control Surface and Attaching Hardware



Flight Control Surface and Attaching Hardware

Component List for Flap Roller Kits for Cessna Aircraft

Each flap roller kit contains enough components for one aircraft. All basic kits include the rollers, bushings, shims, spacers where required and a copy of SEB95-3 Service Bulletin. The upgrade kits contain the same components, the wear washers required by Cessna SEB95-3 for the forward locations, MCSK100 Flap Roller Service Kits for the rear locations, and attachment nuts, bolts, and washers. Part numbers for the upgrade kits end in "U".

Note: SEB95-3 REV. 1 Service Bulletin is not applicable to 172R,S, 182S,T, T182T, 206H, T206H, 208, 336 and 337 aircraft.

Flap Upgrade Kits contain bolts, nuts and washers for several aircraft models. The installer must determine the correct nut, bolt and washer combination for each installation.

Kit P/N	Qty	Part Number	Description
FLP-KT-1	8	MC0523919	Bushings
	2	MC0523920	Rollers
	6	MC0523921	Rollers
	12	MCS1450-5N12-050	Shims
	1	SEB95-3 REV. 1	Service Bulletin
FLP-KT-1U	4	AN3-10A	Bolts
	8	AN3-11A	Bolts
	6	MC0523919	Bushings
	2	MC0523920	Rollers
	4	MC0523921	Rollers
	8	MCS14503S10-032	Wear Washers
	12	MCS1450-5N12-050	Shims
	2	MCSK100	Service Kits
FLP-KT-2	8	MC0523919	Bushings
	2	MC0523920	Rollers
	6	MC0523921	Rollers
	2	MC1220114-2	Spacers
	12	MCS1450-5N12-050	Shims
	1	SEB95-3 REV. 1	Service Bulletin
	4	AN3-10A	Bolts
	8	AN3-11A	Bolts
FLP-KT-2U	6	MC0523919	Bushings
	2	MC0523920	Rollers
	4	MC0523921	Rollers
	2	MC1220114-2	Spacers
	8	MCS14503S10-032	Wear Washers
	12	MCS1450-5N12-050	Shims
	2	MCSK100	Service Kits
	8	MS21044N3	Nuts
FLP-KT-3	8	MC0523919	Bushings
	2	MC0523920	Rollers
	6	MC0523921	Rollers
	4	MC1220114-1	Spacers
	1	SEB95-3 REV. 1	Service Bulletin
	4	AN3-10A	Bolts
	8	AN3-11A	Bolts
	6	MC0523919	Bushings
FLP-KT-3U	2	MC0523920	Rollers
	4	MC0523921	Rollers
	4	MC1220114-1	Spacers
	8	MCS14503S10-032	Wear Washers
	2	MCSK100	Service Kits
	8	MS21044N3	Nuts
	8	NAS1149F0363P	Washers
	1	SEB95-3 REV. 1	Service Bulletin
FLP-KT-4	12	MC0523919	Bushings
	2	MC0523920	Rollers
	10	MC0523921	Rollers
	4	MC1220114-1	Spacers
	1	SEB95-3 REV. 1	Service Bulletin

Kit P/N	Qty	Part Number	Description
FLP-KT-4U	6	AN3-10A	Bolts
	12	AN3-11A	Bolts
	8	MC0523919	Bushings
	2	MC0523920	Rollers
FLP-KT-6	6	MC0523921	Rollers
	4	MC1220114-1	Spacers
	12	MCS14503S 10-032	Wear Washers
	4	MCSK100	Service Kits
	12	MS21044N3	Nuts
	12	NAS1149F0363P	Washers
	1	SEB95-3 REV. 1	Service Bulletin
	2	MC0523920	Rollers
FLP-KT-7	10	MC0523921	Rollers
	12	MC0523919	Bushings
	12	MCS1450-5N12-050	Shims
	12	MCS14503S10-032	Wear Washers
FLP-KT-8	6	MC0523920	Rollers
	6	MC0523921	Rollers
	12	MC1220114-1	Spacers
	4	MC0523919	Bushings
FLP-KT-8U	2	MC0523920	Rollers
	12	MC0523921	Rollers
	12	MC1220114-1	Spacers
	4	MC0523919	Bushings
	2	MC0523920	Rollers
	12	MCS14503S10-032	Wear Washers
	12	MCS1450-5N12-050	Shims
	2	MCSK100	Service Kits
FLP-KT-9	8	MS21044N3	Nuts
	8	NAS1149F0363P	Washers
	1	SEB95-3 REV. 1	Service Bulletin
	12	MC0523919	Bushings
FLP-KT-9U	4	MC0523920	Rollers
	8	MC0523921	Rollers
	8	MC1220114-1	Spacers
	1	SEB95-3 REV. 1	Service Bulletin
	10	AN3-10A	Bolts
	8	AN3-11A	Bolts
	6	MC0523919	Bushings
	4	MC0523920	Rollers
FLP-KT-9U	2	MC0523921	Rollers
	8	MC1220114-1	Spacers
	4	MCS14503S10-032	Wear Washers
	6	MCSK100	Service Kits
FLP-KT-10	12	MS21044N3	Nuts
	12	NAS1149F0363P	Washers
	1	SEB95-3 REV. 1	Service Bulletin
	1	SEB95-3 REV. 1	Service Bulletin

Kit P/N	Qty	Part Number	Description
FLP-KT-11	12	MC0523919	Bushings
	4	MC0523920	Rollers
	8	MC0523921	Rollers
	8	MC1220114-1	Spacers
FLP-KT-11U	1	SEB95-3 REV. 1	Service Bulletin
	6	AN3-10A	Bolts
	12	AN3-11A	Bolts
	8	MC0523919	Bushings
	4	MC0523920	Rollers
	4	MC0523921	Rollers
	8	MC1220114-1	Spacers
	8	MCS14503S10-032	Wear Washers
FLP-KT-12	4	MCSK100	Service Kits
	12	MS21044N3	Nuts
	12	NAS1149F0363P	Washers
	1	SEB95-3 REV. 1	Service Bulletin
	4	AN3-11A	Bolts
	6	AN4-11A	Bolts
	4	MC0523919	Bushings
	4	MC0523921	Rollers
FLP-KT-13	8	MCS14503S10 032	Wear Washers
	4	MS21044N3	Nuts
	6	MS21442-121	Bearings
	4	NAS1149F0332P	Washers
	4	NAS1149F0363P	Washers
	6	NAS1149F0432P	Washers
	6	NAS1149F0463P	Washers
	16	AN3-10A	Bolts
FLP-KT-14	16	MC0523919	Bushings
	8	MC0523920	Rollers
	8	MC0523921	Rollers
	16	MC1220114-1	Spacers
FLP-KT-15	16	MS21045L3	Nuts
	16	AN3-10A	Bolts
	16	MC0523919	Bushings
	8	MC0523920	Rollers
FLP-KT-15	8	MC0523921	Rollers
	16	MC1220114-1	Spacers
	16	MS21045L3	Nuts
	16	AN3-10A	Bolts



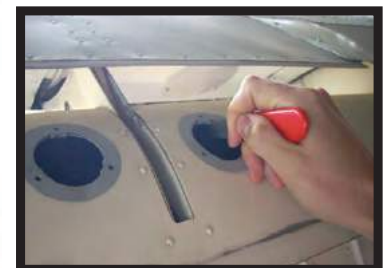
Flap roller kits for 208 and 336/337 aircraft!

Save 60% on hard to find MS21442-121 bearings!

Flap Roller Installation Tool

P/N 970

- Makes installation of the aft flap roller, bushing and washers easy
- Holds parts in alignment while inserting the bolt
- Long handle allows access through the small inspection openings
- Use on Cessna 150 thru 337



Rudder and Elevator Bushing Kits for Cessna Aircraft

Solves all fit problems!

McFarlane supplies two bushing sizes for each hinge location.

This allows a selective fit and solves the common Cessna fit and interference problems.

- Hardened corrosion resistant stainless steel
 - Cessna models 120 thru 177
 - Convenient kits include all bushings, sintered bronze bearings and hardware for one aircraft
- Note: Kits do not include bellcrank bearings or bushings
- All components are also available separately



Model	Serial Number	Elevator Bushing Kit	Rudder Bushing Kit
120,140,140A	All	EBC-KT-6	RBC-KT-8
150,150A,B,C,D,E	All	EBC-KT-1	RBC-KT-1
150F,G,H,J	All	EBC-KT-1	RBC-KT-2
150K ¹ , A150K ¹	150K S/N 15071129 thru 15071621 and A150K S/N A1500001 thru A1500129	EBC-KT-1	RBC-KT-3
150K ¹ ,L,M, A150K ¹ ,L,M	150K S/N 15071622 thru 15072003 and A150K S/N A1500130 thru A1500226	EBC-KT-2	RBC-KT-3
A-150L, A-A150L	All	EBC-KT-2	RBC-KT-3
F150F,G,H,J	All	EBC-KT-1	RBC-KT-2
F150K ¹ ,L ¹ , FA150K ¹	F150L S/N F15000659 thru F15000699 and FA150K S/N FA1500001 thru FA1500039	EBC-KT-1	RBC-KT-3
F150L ¹ ,M, FA150K ¹ ,L,M	F150L S/N F15000700 thru F15001143 and FA150K S/N FA1500040 thru FA1500081	EBC-KT-2	RBC-KT-3
FRA150L,M	All	EBC-KT-2	RBC-KT-3
152 ¹ , A152 ¹	152 S/N 15279406 thru 15285833 and A152 S/N A1520735 thru A1521025	EBC-KT-3	RBC-KT-3
	152 S/N 15285834 thru 15286033 and A152 S/N A1521026 thru A1521049	EBC-KT-4	RBC-KT-3
F152 ¹ , FA152 ¹	F152 S/N F15201429 thru F15201943 and FA152 S/N FA1520337 thru FA1520387	EBC-KT-3	RBC-KT-3
	F152 S/N F15201944 thru F15201980 and FA152 S/N FA1520388 thru FA1520425	EBC-KT-4	RBC-KT-3
170, 170A,B	All		RBC-KT-11
172, 175	172 S/N 28000 thru 46754 and 175 S/N 55001 thru 56238	EBC-KT-5	RBC-KT-4 or RBC-KT-4A ⁴
172A,B,C ¹ , 175A,B,C ¹	172A,B,C S/N 46755 thru 17249085 and 175A,B,C S/N 56239 thru 17557064	EBC-KT-5	RBC-KT-5
172C ¹ , 175C ¹	172C S/N 17249086 thru 17249544 and 175C S/N 17557065 thru 17557119	EBC-KT-5	RBC-KT-6
172D,E,F,G,H,I,K,L,M,N,P ¹	S/N 17249545 thru 17275963	EBC-KT-5	RBC-KT-6
172P ¹ ,Q,R,S	S/N 17275964 and On	EBC-KT-5	RBC-KT-7
172RG, P172D, R172K	All	EBC-KT-5	RBC-KT-6
F172D,E,F,G,H,K,L,M,N,P ¹	S/N F172-0001 thru F17202208	EBC-KT-5	RBC-KT-6
F172P ¹	S/N F17202209 thru F17202254	EBC-KT-5	RBC-KT-7
FP172, FR172E,F,G,H,J,K	All	EBC-KT-5	RBC-KT-6
177,177A,B,177RG,F177RG	All	No kit available	MC0532104K Bushing Only

¹ Partial model eligibility.

Rudder Bushing Kit Components			
Kit P/N	Qty	Part Number	Description
RBC-KT-1	1	MCS1003-65A	Bearing
	1	MC0432003-1K	Bushing ⁵
	1	AN3-7A	Bolt
RBC-KT-2	1	NAS1149F0363P	Washer
	3	MCS1004-42A	Bearing
	3	MC0532104K	Bushing ⁵
	3	AN4-11A	Bolt
	3	NAS1149F0463P	Washer
RBC-KT-3	3	MS21042L4	Nut
	3	MCS1004-42A	Bearing
	3	MC0532104K	Bushing ⁵
	3	AN4-10A	Bolt
	3	NAS1149F0463P	Washer
RBC-KT-4 ⁴	2	MCS1003-29A	Bearing
	2	MC0532104K	Bushing ⁵
	2	AN4-11A	Bolt
	2	NAS1149F0463P ⁵	Washer
	2	MS21042L4 ⁵	Nut
RBC-KT-4A ⁴	1	RBC-KT-4	Rudder Bushing Kit
	1	AN4-13A	Bolt
	1	MS21042L4	Nut
	1	MS24462-4	Bearing
	1	NAS1149F0432P	Washer
RBC-KT-5	1	NAS1149F0463P	Washer
	2	MCS1003-29A	Bearing
	1	MCS1004-42A ²	Bearing
	3	MC0532104K	Bushing ⁵
	3	AN4-11A	Bolt
RBC-KT-6	3	NAS1149F0463P	Washer
	2	MCS1003-29A	Bearing
	1	MCS1004-42A ²	Bearing
	3	MC0532104K	Bushing ⁵
	3	AN4-11A	Bolt
RBC-KT-7	2	NAS1149F0463P ⁵	Washer
	2	MS21042L4 ⁵	Nut
	2	MCS1003-29A	Bearing
	1	MCS1004-42A ²	Bearing
	3	MC0532104K	Bushing ⁵
RBC-KT-8	2	MC0431119K	Bushing ⁵
	2	MCS1003-11A	Bearing
	2	AN3-7A	Bolt
	2	MS21044N3	Nut
	2	AN4-11A	Bolt
RBC-KT-11	2	MS21044N4	Nut
	2	S1K5	Bearing

Elevator Bushing Kit Components			
Kit P/N	Qty	Part Number	Description
EBC-KT-1	2	MCS1003-65A	Bearing
	2	MC0432003-1K	Bushing ⁵
	2	AN3-7A	Bolt
	2	NAS1149F0363P	Washer
	2	MCS1003-65A	Bearing
EBC-KT-2	2	MC0432003-1K	Bushing ⁵
	2	AN3-7	Bolt
	2	NAS1149F0363P	Washer
	2	AN310-3	Nut
	2	MS24665-132	Pin
EBC-KT-3	2	MCS1003-65A	Bearing
	2	MC0432003-1K	Bushing ⁵
	2	AN3-7A	Bolt
	2	NAS1149F0363P	Washer
	2	MS21044N3	Nut
EBC-KT-4	2	MCS1003-28A	Bearing
	2	MC0432173-3K	Bushing ⁵
	2	AN4-7A	Bolt
	2	NAS1149F0463P	Washer
	2	MS21042L4	Nut
EBC-KT-5	4	MCS1003-29A	Bearing
	4	MC0532104K	Bushing ⁵
	4	AN4-11A	Bolt
	4	NAS1149F0463P	Washer
	4	MS21042L4	Nut
EBC-KT-6	4	MC0422215	Bushing
	4	S1997-7G8	Bearing
	4	AN4-11A	Bolt
	4	MS21044N4	Nut

Notes:

² Lower Hinge Only

³ Center and Lower Hinge Only

⁴ Kit RBC-KT-4 contains components to service the upper and middle hinges. Kit RBC-KT-4A contains components to service the upper, middle and lower (bellcrank) hinges.

⁵ Bushing part numbers MC0431119K, MC0432003-1K, MC0432173-3K and MC0532104K include a nominal bushing (with no "K" suffix), an oversized bushing (with a "P1" suffix), and selective fit instructions. **Example:** MC0432003-1K includes nominal bushing MC0432003-1 and oversized bushing MC0432003-1P1.



Elevator and Rudder Bearing Installation Tool for Cessna Aircraft

Makes pressing bearings in or out easy!
P/N 990

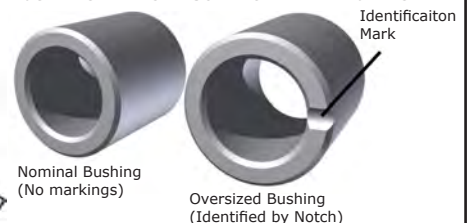


This unique tool is specifically designed to prevent damage when installing and removing **sintered bronze** rudder and elevator hinge bearings contained in kits EBC-KT-1 thru 5 and RBC-KT-1 thru 8.

- Eight piece kit for all sizes of sleeve bearings
- Heat treated stainless steel will last a lifetime
- Comes in a convenient storage pouch



CONTROL HINGE BUSHING IDENTIFICATION



Flight Control Surface and Attaching Hardware



Rudder and Elevator Hinge Bearing Kits for Cessna Caravan Aircraft

In stock for immediate shipment! Buy with confidence.

- Convenient kits include bearings and all attaching hardware
- Kits for aircraft equipped with and without hinge modification service kits
- One elevator kit and one rudder kit required per aircraft
- Industry standard hardware



Cessna has issued several non-mandatory service bulletins and service kits for the rudder and elevator hinge bearings on the Caravan due to a corrosion issue with the needle bearing. The service kits require modification to the hinge structure, not just the bearing itself. The new bearing is a different size than the "original" design, so the mounting hardware is different as well. Because of these structural changes any aircraft that has had the service kits installed cannot use hardware from a non-service kit aircraft. McFarlane offers kits for both configurations.

Aircraft	Serial Number	Elevator Kit P/N	Rudder Kit P/N
208	20800001 thru 20800221	EBC-KT-7 1	RBC-KT-9 3
		EBC-KT-8 2	RBC-KT-10 4
208	20800222 thru 20899999	EBC-KT-7	RBC-KT-9
208A	20800007 thru 20800102	EBC-KT-7 1	RBC-KT-9 3
		EBC-KT-8 2	RBC-KT-10 4
208B	208B0001 thru 208B0318	EBC-KT-7 1	RBC-KT-9 3
		EBC-KT-8 2	RBC-KT-10 4
208B	208B0319 thru 208B9999	EBC-KT-7	RBC-KT-9

Save \$\$\$



Kit Contents: (Components also available separately)

P/N EBC-KT-7			P/N EBC-KT-8			P/N RBC-KT-9			P/N RBC-KT-10		
Qty	Part Number	Description	Qty	Part Number	Description	Qty	Part Number	Description	Qty	Part Number	Description
4	AN4-12	Bolt	4	AN5-10	Bolt	3	AN4-12	Bolt	3	AN4-11	Bolt
1	AN4-13	Bolt	1	AN5-13	Bolt	3	MS17825-4	Nut	3	MS17825-4	Nut
5	MS17825-4	Nut	5	MS17825-5	Nut	3	MS24665-134	Cotter Pin	3	MS24462-4	Bearing
4	MS24665-134	Cotter Pin	5	MS24461-5	Bearing	3	MS27641-4	Bearing	3	MS24665-134	Cotter Pin
1	MS24665-136	Cotter Pin	4	MS24665-134	Cotter Pin	3	NAS1149F0432P	Washer	3	NAS1149F0432P	Washer
5	MS27641-4	Bearing	1	MS24665-136	Cotter Pin	6	NAS1149F0463P	Washer	6	NAS1149F0463P	Washer
4	NAS1149F0432P	Washer	10	NAS1149F0563P	Washer						
6	NAS1149F0463P	Washer									

Hinge and Bellcrank Bearing for Cessna Aircraft

Hard to find, frequently replaced! Buy from McFarlane and save \$\$\$

P/N MS24462-4

Aircraft Model	Aileron Hinge Qty/Aircraft	Elevator Bellcrank Qty/Aircraft	Center Elev. Hinge Qty/Aircraft	Rudder Hinge Qty/Aircraft	Elevator Hinge Qty/Aircraft	Rudder Bellcrank Qty/Aircraft
172, 175						1
177, 177A,B, 177RG, F177RG	6					
180, 180A,B,C,D,E,F,G,H,J,K			1		4	
182, 182A,B,C,D			1		4	
182E,F,G,H,J,K,L,M,N,P,Q,R,S,T, A182J,K,L,N, F182P,Q, FR182, R182, T182, T182T, TR182			1		4 1	
185, 185A,B,C,D,E, A185E,F					4	
188, 188A,B, A188, A188A, A188B, T188C	6				4	
210-5 (205), 210-5A (205A)			1	1	4	
206, U206, U206A,B,C,D,E	4		1		4	
206H, T206H	4	1	1		4 2	
P206, P206A,B,C,D,E	4		1		4	
TP206A,B,C,D,E, TU206A,B,C,D,E	4		1		4	
TU206F,G, U206F,G			1		4	
207, 207A, T207, T207A	4	1	1		4	
210, 210A			1		4	
210B,C			1	1	4	
210D,E,F	4	1	1	1	4	
210G,H,J			1		4	
210K,L,M	6	1	2		4	
210N,R	6	1	1		4	
P210N	6	1	1		4	
P210R	6	1	1		4	
T210F	4	1	1	1	2	
T210G,H,J			1		4	
T210K,L,M	6	1	2		4	
T210N,R	6	1	1		4	



P/N MS24461-4

Used as aileron and elevator bearings on many single engine Cessna aircraft!



P/N S1K5

Bearing, Fafnir



Aircraft Model

- 170, 170A,B
- 180, 180A,B,C,D,E,F,G,H,J,K
- 182, 182A,B
- 185, 185A,B,C,D,E, A185E,F**1**
- 188, 188A,B
- A188B**2**
- A188B**3** (w/ large hopper)
- 1** 185-0001 thru 18504425
- 2** 18802349 thru 18803856
- 3** 18800967T thru 18803968T

Supersedure Table

4NBC6122P	USE MS24461-4
4NCC910P	USE MS24462-4
AR4-1	USE MS24462-4
NAS296-4A	USE MS24462-4
NAS505-4	USE MS24461-4
NAS506-4	USE MS24462-4

Control Lock

P/N 2660055-1RA

- For Caravan 208/208B
- Direct replacement
- Significantly lower cost \$\$\$



Manufactured by Royal Air Products

Rudder Gust Lock

Restrain the rudder when parked!
Caravan 208 and 208B P/N AT-4111-1
Daher Kodiak 100 P/N QK-4111

- Avoid rudder damage during windy conditions
- Can be disengaged with the elevator



Manufactured by Aero Twin, Inc.

Tail Stand

P/N ATI-STAND

Cessna Caravan 208/208B
Daher Kodiak

- Safely load passengers or cargo
- Red and yellow for high visibility
- Quick pin allows easy installation
- Easily store in the aft cargo pod bay when not in use



Manufactured by Aero Twin, Inc.

Can You Stop Nose Gear Shimmy?

By Dave McFarlane



Nose gear shimmy is destructive and not normal, and yes, it can be stopped. Never allow any amount of nose gear shimmy to continue. The quicker you take action, the easier it will be to stop it.

"A Cessna nose wheel is supposed to shimmy."

"You can't really stop it."

"All the Pipers do it."

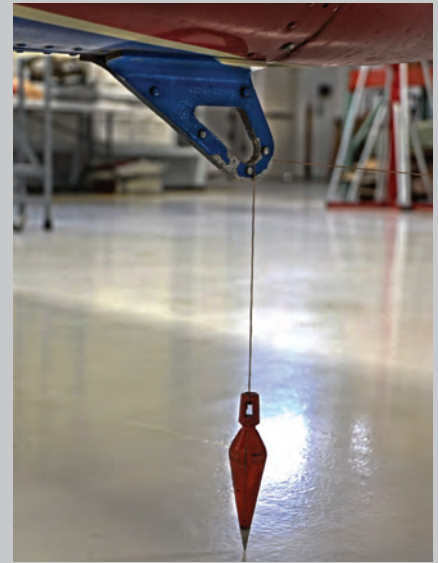
You have heard similar comments many times. My response is always the same question. "Did it shimmy when it was new?" I would like to share with you our experience in solving this problem.

I will bore you with the routine detail of what to look for and how to fix the mechanical issues that allow shimmy to get started in a minute. First, let's talk about the physics of nose gear shimmy. Years ago and after a lot of frustration by us and our customers and a lot of experimenting, we discovered what was causing our shimmy problems. We observed that uncorrectable nose gear shimmy seemed to only happen on hard surface runways and rarely on turf runways. Our customers reported that they could stop the shimmy by either taking weight off the nose gear with the elevator or applying the brakes putting more weight on the nose gear. It didn't seem logical that just changing the weight on the nose gear could affect shimmy since the airplane is designed to function with different loading on the nose gear and the weight change does not significantly change the nose gear geometry. We guessed that our customer's shimmy might have been stopped by the fact that the changing nose weight also changed the tire shape. We assumed that when the tire shape changes so does the contact profile of the tire to the runway. We had already done all of the normal things to perfect the nose gear and shimmy damping system rigging and mechanicals. The customer's tire seemed fine with no unusual wear patterns that could be detected. We still had shimmy! In frustration, an experiment was done by removing some tread rubber from

the tire. It did not seem to be a logical solution, but it worked. The shimmy went away!

There are some interesting dynamics going on during the shimmy action (besides trying to vibrate your airplane apart). When the nose tire is shimmying down the runway it is oscillating from pointing left and then pointing right many times per second while the airplane is going straight. The greater the tire angle diverges from straight ahead, the greater the shimmy inertia and energy. Since the oscillations are equal in divergence angle and time duration, the rubber on your tire is being scuffed in a uniform and distinct pattern that repeats its self each revolution of the tire. This wear pattern shape is directly related to the tire shape created by the amount of weight on the nose tire, the tire pressure, and the speed of the aircraft. The frequency of the shimmy is a derivative of these factors. You might have noticed a braking feel to the airplane when severe shimmying is happening. The braking is from the nose tire skidding sideways during the more extreme angle divergent portion of the shimmy cycle. Since shimmy generally takes place for a short time, the early stages of this wear pattern are microscopic and hard to detect visually or by feeling the tire tread by hand. After the first shimmy, the then created wear pattern tends to start the oscillating action when the airplane speed and nose gear weight matches the speed and weight that the airplane was traveling when the shimmy wear pattern was created. You might have noticed that shimmy starts at about the same landing or taxiing speed each time. The results are that the shimmy gets worse every time it happens even if the mechanical issues that let it start shimmying the first time have been corrected and the shimmy dampener is working and trying to do its job. The shimmy dampener simply is not strong enough to prevent shimmy when a nose tire has an established shimmy wear pattern in the tread. The hidden mystery to this problem is that early shimmy wear patterns in the tire are virtually un-detectable.

Drop a plumb bob to determine aircraft center line



One of the hardest parts of proper rigging is determining where the nose tire is straight ahead.

The method we use is to create an airplane center line by dropping a plumb bob from the center of the firewall to the ground (center can be determined from the rivet pattern or measuring from the motor mount attachments) and again dropping the plumb bob from the center of the tail tie down hook. Mark both of the plumb bob points on the shop floor and create a chalk line mark between the points. This is your airplane center line. Extend the center line forward as close to the nose tire as possible.

Place a straight 2x4 stud or a piece of straight angle iron against the side of the nose tire. Adjust the nose wheel and tire until the 2x4 is parallel with the airplane center line. Check your results by placing the 2x4 on the other side of the tire. The 2x4 acts as a tire angle multiplier giving you measurable results.

Parallelism can be checked by simply measuring the distance between the 2x4 and the chalk line in two places. Be sure not to move the airplane while you make your nose gear alignment adjustments.

Prevention Tips

The key to shimmy problems is to prevent shimmy from starting in the first place. You have to start with the routine stuff that is in the service manuals. The Cessna Pilots Association has a very good article on fixing the mechanical issues associated with nose shimmy on Cessna airplanes. Their Tech Note No. 001, Revision 004 dated 04/15/2010 does a good job of describing and illustrating the system and directing corrective repairs. This tech note seems to parallel the Cessna Service Information Letter SE84-21 on the same subject.

Continued on next page

Continued from previous page

1 The first step in preventing the problem is to look for any un-damped nose gear movement. This is motion of the nose tire without the shimmy dampener moving. Looseness in the nose gear system cannot be detected with the nose wheel off the ground unless the pressure is released from the nose strut. When you move the nose wheel right and then left, the shimmy dampener should also move. If there is any un-damped motion, tighten or replace the worn components such as the torque link bushings and spacers, the steering collar, and shimmy dampener attachments.

2 Remove the shimmy dampener attachments. Check the shimmy dampener for proper fluid and proper operation. Check the dampener for seal condition and excessive wear in the piston and dampener bore. The dampener shaft must have considerable resistance to motion when moved quickly but move easily when moved slowly.

3 Nose gear rigging is important to prevent shimmy. If the steering rods or bungees are biased, damaged, or holding improper tension, shimmy can be started. The aircraft service manuals do a good job of describing proper nose gear rigging procedures. Wheel bearings must be in good condition and properly adjusted.

4 Bad bearings or adjustments can allow un-damped tire movement. Tire balance is also critical for preventing shimmy as an out of balance tire puts cyclic centrifugal loads on the tire tread. Out of round tires will do the same thing. One of the objectives of preventing shimmy is to not have any type of cyclic loads going into the tire system.

Check the tire itself for casing shift or other damage as follows:

- Take the weight off the nose tire for a period of time to let the tire take its proper shape.
- Assure that the tire is inflated to the proper pressure for the aircraft.
- Spin the tire by hand and look for any significant lateral divergence (tire wobble) or vertical divergence (out of round). The tire must rotate true, but a little out of round is normal.
- If tire casing shape problems are detected, let the tire stabilize longer without weight. If that does not correct the problem, the only fix is to replace the tire.
- If the tire casing seems to run out true and the tire is determined to be airworthy in all aspects, remove the shimmy wear pattern in the tire tread.

How do you remove rubber on a good tire to get rid of this mysterious and evil tread wear pattern that nobody can see or feel? We use an electric disc grinder that is used in the weld shop for grinding welds and smoothing structural steel. Any large sanding disk power tool with a course grit disc or a belt sander would also work. There will be some rubber flying around the shop so this is a good job to do outside. Get someone else to do it if you have allergic reactions to latex or rubber products. Block the nose gear off the ground and give the tire time to stabilize its

5 shape without weight. Again assure that the tire has the correct inflation pressure. Touch the grinder to the tire at an angle that rotates the tire and removes rubber. With a little practice you will be able to control the tire rotational speed with small grinder angle adjustments. If you allow the tire to rotate too fast, very little rubber will be removed. If you allow the tire to rotate too slow, it is hard to remove the rubber evenly. Taxi speed tire rotation seems to work best. You can actually remove small "out of round" tire conditions by being steady with the grinder and allowing the grinder to work harder on the tire high spots. The grinder must be worked across the tire tread as evenly as you can. Never grind into the sidewall of the tire. You can feel advanced shimmy wear patterns before you start and they will take more work to remove than the patterns you cannot feel. The tire must feel smooth and even when you are done. Only experience will tell you how much rubber to remove. Be sure that the tire has good tread depth when you are finished, and verify that there is not any inadvertent damage to the tire. Clean up the rubber grindings and high speed taxi test the airplane. You will probably be smiling with the results. It is a good idea to re-balance the tire after grinding the tread and before returning the aircraft to service. If the test does fail, repeat the process. Yes, with a little patience, this shimmy beast can be tamed!



Use a belt sander to remove the shimmy wear pattern in the tread.



**Use wheel balancer P/N TOOL128 for 3/4" diameter axles or P/N TOOL129 for 1", 1 1/4", and 1 1/2" axles to check tire for proper balance (additional sizes available).
See page 242 for additional information.**

Nose Wheel Steering Rod Boots for Cessna 150 thru 182 Aircraft

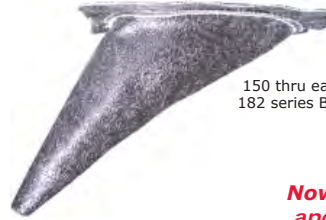
P/N MC0413304-3 for 150 thru 152 series

P/N MC0543015-6 for 172, 175 and early 182 series

McFarlane 150 thru early 182 series steering rod boots are manufactured with a black Kevlar®/fiberglass blend fabric. The fatigue resistance of Kevlar is uniquely mated with the fire resistance of fiberglass. This is a super tough, high temperature fabric that will provide many years of outstanding performance.

- Keeps exhaust and carbon monoxide out of the cabin
- Protects the cabin in case of an engine fire

**These Bad Boys
Can Take the Abuse!**



150 thru early
182 series Boot

**NEW
& Improved!**

Doubler for Cessna Aircraft

McFarlane doubler for 150-152 aircraft is now FAA-PMA approved.

P/N MC0413304-6

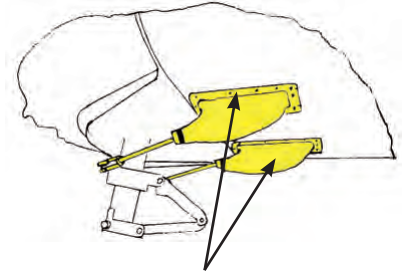
Cheaper to replace than clean corrosion, prime, and paint the original!

Doublers are alodined, primed, and painted to save installation time.



**Doubler Now FAA-PMA
Approved at less than 1/2 the Price!**

**Now Offering Boot
and Doubler Kits!**



**Each kit contains:
(2) boots, (2) doublers**

Save Hundreds \$\$\$



New! 182E thru 182T Steering Rod Boot

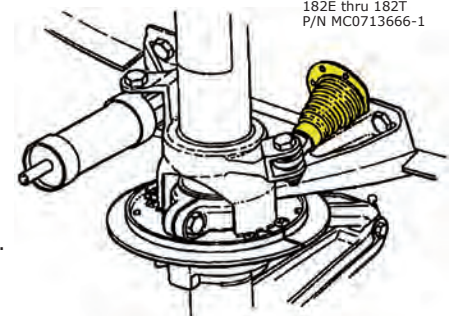
10 times the life at half the price!

P/N MC0713666-1 for 182E thru 182T

McFarlane has improved the design of both the boot and the retaining flange. The Cessna boot is prone to ripping and tears caused by fatigue and premature infrared heat related material break down. McFarlane has utilized a three ply material design incorporating both Kevlar and fiberglass, and a supple high temperature rubber coating. Kevlar and fiberglass work together to prevent wear, fatigue, and heat failures while offering 15 times the fire resistance of the original boot for extended fire protection at 2,000 degrees F.

McFarlane has also upgraded the original aluminum flange to a stainless steel firewall material. The flange is included with the boot.

- Kevlar/Fiberglass composite for strength and fire protection
- Fire proof stainless steel flange
- Deeper convoluted design for better flexibility and longer life



182E thru 182T
P/N MC0713666-1

P/N MCS2357-2S



Don't Forget the Hose Clamp, P/N MCS2357-2S!

Cessna failed to list the clamp in the parts catalog, therefore people tend to use a nylon cable tie which will easily melt away with an engine fire.

Always use metal clamp P/N MCS2357-2S to attach the boot to the steering link.

Model	S/N	Boot (2 per A/C)	Doubler (2 per A/C)	Complete Kits ¹
150, 150A,B,C,D,E,F,G,H	All	MC0413304-3	MC0413304-6	SRB-KT-1
150J,K,L,M	All	MC0413304-3	MC0413304-6	SRB-KT-1
A150K,L,M	All	MC0413304-3	MC0413304-6	SRB-KT-1
F150F,G,H	All	MC0413304-3	MC0413304-6	SRB-KT-1
F150J,K,L,M, FA150K,L	All	MC0413304-3	MC0413304-6	SRB-KT-1
FRA150L,M	All	MC0413304-3	MC0413304-6	SRB-KT-1
152, A152, F152, FA152	All	MC0413304-3	MC0413304-6	SRB-KT-1
172, 172A	All	MC0543015-6	0543026-1	SRB-KT-2
172B,C	All	MC0543015-6	0543026-1	SRB-KT-2
172D,E,F,G,H,I,K,L,M,N,P,Q	All	MC0543015-6	0543026-1	SRB-KT-2
F172D,E,F,G,H,K,L,M,N,P	All	MC0543015-6	0543026-1	SRB-KT-2
FP172	All	MC0543015-6	0543026-1	SRB-KT-2
FR172E,F,G,H,J,K	All	MC0543015-6	0543026-1	SRB-KT-2
P172	All	MC0543015-6	0543026-1	SRB-KT-2
R172E,F,G,H,K	All	MC0543015-6	0543026-1	SRB-KT-2
172R,S	All	MC0543015-6	0543026-1	SRB-KT-2
175, 175A,B,C	All	MC0543015-6	0543026-1	SRB-KT-2
182, 182A,B,C,D	All	MC0543015-6	0543026-1	SRB-KT-2
182E,F,G,H,J,K,L,M,N,P,Q,R,S,T F182P,Q, T182, T182T	All	New! MC0713666-1	New! MCS2357-2S	

¹ Each kit contains (2) boots and (2) doublers

Maintenance Tip:

Boot failure occurs from radiant heat off of the exhaust system and flexing with the steering system. Cessna original boots are manufactured with a fragile fiberglass base material and peroxide cured silicone that becomes stiff and brittle. This system offers poor resistance to flexing fatigue which causes premature boot failure. The 182 boot must be free from holes and leaks to prevent carbon monoxide from entering the cabin. It is normal for the exhaust system to leak exhaust at the component joints. Leaks in the firewall will allow exhaust and carbon monoxide to enter the cabin.



2,000° Flame Test
New original boot failed in 40 seconds.
**McFarlane boot still ready
for more after 15 minutes!**

Steering Rods offered on page 213!

Landing Gear and Nose Wheel Steering Parts

NEW
& Improved!

Landing Gear and Nose Wheel
Steering Parts

Nose Wheel Steering Rods for Cessna Aircraft

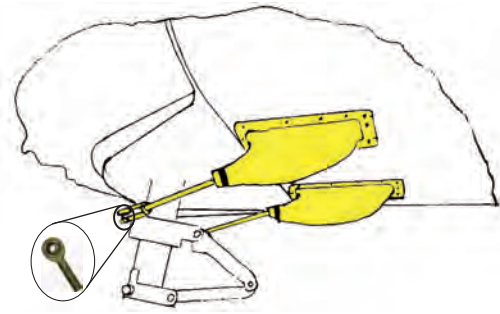
Tired of 'soft' worn out steering rods?
Replace them with improved McFarlane steering rods.

- Redesigned long life springs!
- Stainless steel tubes for improved corrosion resistance (MC0543022 Series)
- Hardened internal washer for greater durability
- Optimum performance even after years of service!

New! Steering Bungee P/N MC0760622-1 for 182E thru 182T

New! Sprocket P/N MC0760630-1 for 182E thru 182T
Anodized to prevent corrosion and wear

New! Rod End P/N MCMM3M12 for 182E thru 182T
Direct replacement



Replace your worn
Rod Ends!



182 Steering Rod
P/N MC0760622-1

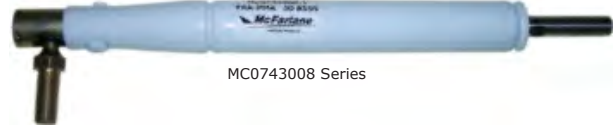
Save Thousands \$\$\$

Model	S/N	Steering Rod		Rod End (2 per A/C)
		Left Hand	Right Hand	
150, 150A,B,C,D,E,F,G,H	All	MC0543022-3	MC0543022-4	S1107-3
150J,K,L,M	All	MC0543022-3	MC0543022-4	S1823-3
A150K,L,M	All	MC0543022-3	MC0543022-4	S1823-3
F150F,G,H	All	MC0543022-3	MC0543022-4	S1823-3
F150J,K,L,M, FA150K,L	All	MC0543022-3	MC0543022-4	S1823-3
FRA150L,M	All	MC0543022-3	MC0543022-4	S1823-3
152, A152, F152, FA152	All	MC0543022-3	MC0543022-4	S1823-3
172, 172A	All	MC0543022-1	MC0543022-2	S1107-3
172B,C	All	MC0743008-1	MC0743008-2	S1107-3
172D,E,F,G,H,I,K,L,M,N,P,Q	All	MC0543022-1	MC0543022-2	S1823-3
F172D,E,F,G,H,K,L,M,N,P	All	MC0543022-1	MC0543022-2	S1823-3
FP172	All	MC0543022-1	MC0543022-2	S1823-3
FR172E,F,G,H,J,K	All	MC0543022-1	MC0543022-2	S1823-3
P172	All	MC0543022-1	MC0543022-2	S1823-3
R172E,F,G,H,K	All	MC0543022-1	MC0543022-2	S1823-3
172R,S	All	MC0543022-1	MC0543022-2	S1823-3
175, 175A,B,C	All	MC0743008-1	MC0743008-2	S1107-3
177, 177A,B	All			S1823-3
182, 182A,B,C,D	All	MC0743008-1	MC0743008-2	S1107-3
182E,F,G,H,J,K,L,M,N,P,Q,R,S,T F182P,Q, T182, T182T	All	New! MC0760622-1	New! MCMM3M12	

Quantity of one required per aircraft.



MC0543022 Series



MC0743008 Series

Maintenance Tip:

How do I know if my steering rods need to be replaced?

- Nose wheel steering is unusually sluggish
- One or both sides offer little or no spring resistance to steering input
- More than 1 1/8" of free travel is present in either steering rod
- The aircraft pulls to either side during taxiing
- Inconsistent steering or rudder rigging

Steering Rod Boots also available! See page 212.

High Strength Parts for Helio H-295 Courier Aircraft

Parts are manufactured from high strength material
and machined from a single billet - stronger than
original welded assemblies!

Axle P/N AF250-040-495

- Cad plated for increased durability
- Precision fit - drop in direct replacement
- Accommodates wheel-ski installation



Manufactured by Airforms, Inc.

Axles for Cessna Aircraft

Don't lose an airplane because of
a broken aluminum axle!

Steel Axle

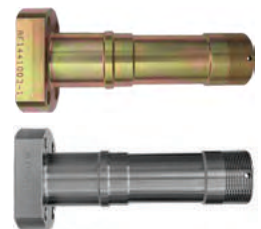
P/N AF1441003-1

- Weighs only 2.28 lbs
- Save hundreds \$\$\$

Titanium Axle

P/N AF1441003-1T

- Reduces weight by 2 lbs per A/C vs. steel axles
- Will not rust



Model	Serial Number
170, 170A,B	18000 thru 27169
180, 180A-H	30000 thru 18052284
182, 182A-S	33000 and On
T182, R182, TR182	1820001 thru R18202041
185, 185A-E, A185E-F	1850001 thru 18504448
206, U206, U206A-G, TU206A-G	206-0001 thru U20607020
P206, P206A-E, TP206A-E	P206-0001 thru P20600647
206H, T206H	All

Manufactured by Airforms, Inc.

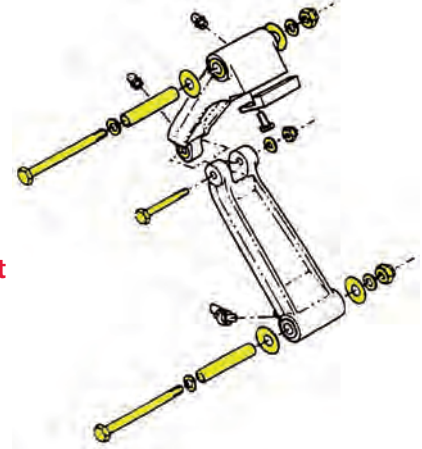
FAA-PMA Approved

Nose Gear Torque Link Repair Kits for Cessna Aircraft

P/Ns TL-KT-1 thru TL-KT-11

- Includes all commonly replaced torque link parts in a convenient kit
- McFarlane manufactured FAA-PMA approved kits
- Fits most single engine Cessna aircraft
- Now with specific model eligibility
- Prevents Nose Wheel shimmy

Kits include: Bushings, Spacers, Shims, Nuts, Bolts, Washers and Cotter Pins.



Stainless Steel Nose Gear Torque Link Shim Kit for Cessna Aircraft

- Eliminates undamped torque link motion to prevent shimmy
- Also available individually or in torque link repair kits

P/N TL-SHIM-KT-1 contains:

- (2) MCS1450-6B14-007 0.007" Thick
- (5) MCS1450-6B14-010 0.010" Thick
- (2) MCS1450-6B14-012 0.012" Thick
- (2) MCS1450-6B14-015 0.015" Thick



Torque Link Spacers for Cessna Aircraft

P/N MC0543047-1 and MC0543047-2

- Tightly controlled minimal end chamfer maximizes bearing surface between spacer and fork to ensure a secure clamp and prevent fork wear.
- Precision length



NAS1149F0316P Ultra-Thin Washers

These hard to find 3/16" ID, 0.016" thick standard steel washers are sometimes useful for fine tuning the center "knee" joint fit on most Cessna torque links. Available in packs of 5.

Not included in torque link kits.



Model	Serial Number	Part Numbers																		
		TL-KT-1	TL-KT-2	TL-KT-4	TL-KT-5	TL-KT-6	TL-KT-7	TL-KT-8 ²	TL-KT-9 ²	TL-KT-10	TL-KT-11	TL-SHIM-KT-1	MC0543047-1	MC0543047-2	MCS1450-6B14-005	MCS1450-6B14-007	MCS1450-6B14-010	MCS1450-6B14-012	MCS1450-6B14-015	
150, 150A,B,C,D,E,F,G,H,J,K,L,M	All-Except aircraft with heavy duty nose gear	•																		
A150K-M, F150F-M, FA150K-M, FRA150L,M	All	•																		
152, A152, F152, FA152	All	•																		
172 ¹	28000 thru 36141, 36150 thru 36153							•												
172 ¹ , 172A,B,C,D,E,F,G,H,I,K,L,M,N,P,Q,R,S	36142 thru 36149, 36154 thru 172S99999	•																		
172RG	All					•														
F172D-P, FP172, FR172E-K, P172D, R172K	All	•																		
175, 175A,B,C	All	•																		
177, 177A,B	All																			
177RG, F177RG	All					•														
182	All	•																		
182A,B,C,D,E,F,G,H,J,K,L,M,N,P,Q	All	•																		
182R	All																			
182S,T	All	•																		
F182P,Q	All	•																		
R182, T182, FR182	All																			
T182T	All	•																		
TR182	All																			
205 (210-5) 205A, (210-5A)	All	•																		
206, P206, P206A, TP206A, TU206A, U206, U206A ³	All	•	•																	
P206B,C,D,E ¹ , TP206B,C,D,E ¹ G	P206-0307 thru P20600641	•																		
P206E ¹ , TP206E ¹	P20600642 thru P20600647	•																		
TU206B,C,D,E ¹ , U206B,C,D,E ¹ G	U206-0657 thru U20601537	•																		
TU206E ¹ , F ¹ , U206E ¹ , F ¹	U20601538 thru U20602199	•																		
TU206F ¹ , G, U206F ¹ , G	U20602200 thru U20607020	•																		
206H, T206H	All																			
207 ¹ , T207 ¹ ⁴	20700001 thru 20700228																			
207 ¹ , 207A, T207 ¹ , T207A	20700229 thru 20700788																			
210, 210A,B,C,D,E,F,G,H,J	All	•																		
210K ⁵	All	•	•																	
210L ¹ ⁵ , T210L ¹ ⁵	21059503 thru 21060255	•																		
210L ¹ , M,N,R, P210N,R	21060256 thru 21065009, All P210N,R Serials	•																		
T210F,G,H,J,K	All	•																		
T210L ¹ , M,N,R	21060256 thru 21065009	•																		

¹ Partial model eligibility

² TL-KT-8 and TL-KT-9 torque link kits are used on Cessna model aircraft with heavy duty landing gear that utilizes AN6 size (3/8-24 UNF) bolts in the upper and lower torque link joints. The normal duty landing gear uses AN4 size (1/4-28 UNF) bolts in the upper and lower torque link joints.

³ Aircraft models in this serial range may use one of two choices for McFarlane Torque Link Kits. The aircraft that have both upper and lower spacers measuring ~ 2 inches long will use McFarlane Torque Link Kit TL-KT-1 (containing two MC0543047-1 spacers). The aircraft that has an upper spacer measuring ~ 2.6 inches and a lower spacer measuring ~ 2 inches will use McFarlane Torque Link Kit TL-KT-2 (containing one MC0543047-1 and one MC0543047-2 spacer).

⁴ Aircraft models in this serial range may use one of two choices for McFarlane Torque Link Kits. The aircraft that have both upper and lower spacers measuring ~ 2 inches long will use McFarlane Torque Link Kit TL-KT-5 (containing two MC0543047-1 spacers). The aircraft that has an upper spacer measuring ~ 2.6 inches and a lower spacer measuring ~ 2 inches will use McFarlane Torque Link Kit TL-KT-4 (containing one MC0543047-1 and one MC0543047-2 spacer).

⁵ Aircraft models in this serial range may use one of two choices for McFarlane Torque Link Kits. The aircraft that have both upper and lower spacers measuring ~ 2 inches long will use McFarlane Torque Link Kit TL-KT-1 (containing two MC0543047-1 spacers). The aircraft that has an upper spacer measuring ~ 2.6 inches and a lower spacer measuring ~ 2 inches will use McFarlane Torque Link Kit TL-KT-7 (containing one MC0543047-1 and one MC0543047-2 spacer).

⁶ Aircraft models in this serial range may use one of two choices for McFarlane Torque Link Kits. The aircraft that have both upper and lower spacers measuring ~ 2 inches long will use McFarlane Torque Link Kit TL-KT-1 (containing two MC0543047-1 spacers). The aircraft that has an upper spacer measuring ~ 2.6 inches and a lower spacer measuring ~ 2 inches will use McFarlane Torque Link Kit TL-KT-11 (containing one MC0543047-1 and one MC0543047-2 spacer).

⁷ Availability of one component of this kit (0841000-63) is limited. Call for current status.

Landing Gear and Nose Wheel Steering Parts

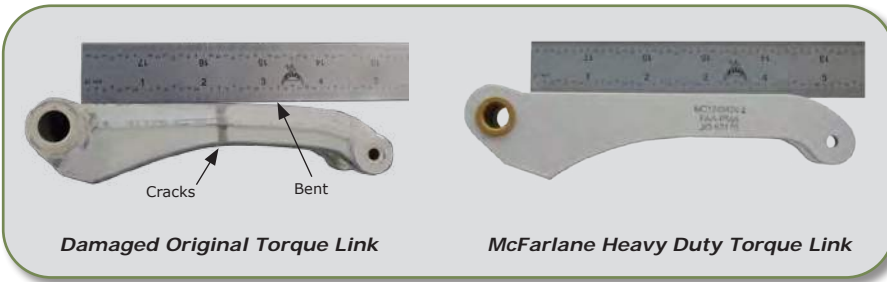
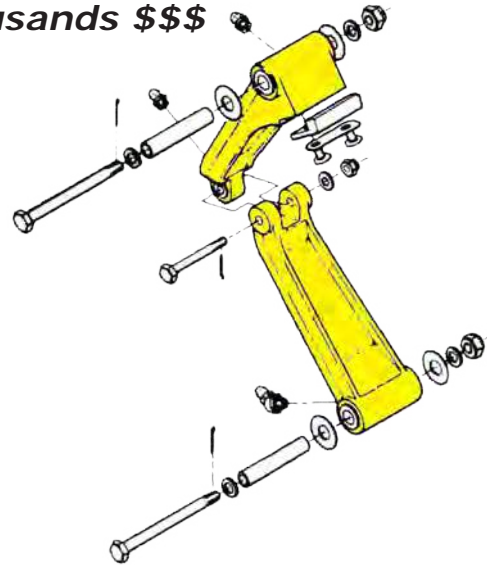
Replacement Torque Links for Cessna 100 & 200 Series Aircraft

Replace your bent Torque Links and worn Stop Lugs with our McFarlane Torque Links. Ours are stronger, last longer, and cost less!

- Stronger alloy — made from a high-strength billet
- More metal to resist cracking and bending
- Increased service life
- Substantial cost savings \$\$\$
- Primed and painted, ready for installation
- Complete with pre-installed Stop Lug, Bushings, and Grease Fittings

Save thousands \$\$\$

NEW



See page 216 for Stop Lug and Safety Plate details!

Torque Link Assembly

Aircraft	Serial Number	Upper	Lower	Stop Lug	Safety Plate	Stop Lug Safety Plate and Bolt Kit	Bolt, Special	Shim
150D, E, F, F1, F150F	15060477 thru 15063457 F150-0001 thru F150-0055	MC0442506-1 ³	MC0442506-2 ³	MC0442506-8 ³	MC0442506-9 ³	TLSSL-KT-1		
150G, H, J, F150G, H, J	All	MC0442506-1 ²	MC0442506-2 ²	MC0442506-8	MC0442506-9	TLSSL-KT-1		
150K, L, M, A150K, L, M, F150K, L, M, FA150K, L, M	All	MC0442506-1	MC0442506-2	MC0442506-8	MC0442506-9	TLSSL-KT-1		
FRA150L, M	All	MC0442506-1	MC0442506-2					
152, A152, F152, FA152	All	MC0442506-1	MC0442506-2	MC0442506-8	MC0442506-9	TLSSL-KT-1		
172B, C	All	MC0543035-8	MC0543035-3					
172D, E, F, G, F172D, E, F, G	All	MC0543035-8 ⁴	MC0543035-3 ⁴					
172H, I, K, L, M ¹	17245893 thru 17263458	MC0442506-1 ⁴	MC0442506-2 ⁴	MC0442506-8	MC0442506-9	TLSSL-KT-1 ³ TLSSL-KT-2 ³		
172M ¹ , N, P, Q	17263459 and On	MC0442506-1	MC0442506-2	MC0442506-8	MC0442506-9	TLSSL-KT-2		
172R, S	All	MC0442506-1	MC0442506-2	MC0442506-8	MC0442506-9	TLSSL-KT-1		
172RG	All		MC0442506-2					
F172H, K, L, M ¹	F17200655 thru F17201234	MC0442506-1 ⁴	MC0442506-2 ⁴	MC0442506-8	MC0442506-9	TLSSL-KT-1 ³ TLSSL-KT-2 ³		
F172M ¹ , N, P	F17201235 and On	MC0442506-1	MC0442506-2	MC0442506-8	MC0442506-9	TLSSL-KT-2		
FR172E, F, G	All	MC0442506-1 ⁴	MC0442506-2 ⁴	MC0442506-8	MC0442506-9	TLSSL-KT-1 ³ TLSSL-KT-2 ³		
FR172H, J	All	MC0442506-1 ²	MC0442506-2 ²	MC0442506-8	MC0442506-9	TLSSL-KT-1		
FR172K	All	MC0442506-1	MC0442506-2	MC0442506-8	MC0442506-9	TLSSL-KT-2		
P172D	All	MC0543035-8 ⁴	MC0543035-3 ⁴					
R172E, F, G, H	All	MC0442506-1 ³	MC0442506-2 ³	MC0442506-8	MC0442506-9	TLSSL-KT-2		
R172K	All	MC0442506-1	MC0442506-2	MC0442506-8	MC0442506-9	TLSSL-KT-2		
175A, B, C	All	MC0543035-8	MC0543035-3					
177RG, F177RG	All		MC0442506-2					
182A, B, C, D	34754 thru 18253598	MC0543035-3						
182E, F, G, H, J	All		MC0543035-3 ⁴					
182K, L, M, N	All	MC0442506-1 ³	MC0442506-2 ³	MC0442506-8 ³	MC0442506-9	TLSSL-KT-2 ³		
182K, L, M, N, P1	18257626 thru 18262465	MC0442506-12 ²		MC0442506-11 ²	MC0442506-9	TLSSL-KT-4 ²		
182P ¹	18260826 thru 18262465		MC0442506-2 ²	MC0442506-11	MC0442506-9	TLSSL-KT-4		
182P ¹ , Q, R, T182T, F182P, Q	18262466 and On	MC0442506-12	MC0442506-2	MC0442506-11	MC0442506-9	TLSSL-KT-4		
182S, T, T182T	All	MC0442506-12	MC0442506-2	MC0442506-11	MC0442506-9	TLSSL-KT-3		
FR182, R182, T182, TR182	All		MC0442506-2					
205	All	MC0543035-3 ⁴						
206H, T206H	All	MC0442506-1 ⁴	MC0442506-2 ⁴	MC1243629-2 ⁴	MC0442506-9			
P206B, C, D, E TP206B, C, D, E	All		MC0442506-2 ⁴	MC0442506-8 ³	MC0442506-9 ³	TLSSL-KT-2		
TU206B, C, D, E, F ¹ U206B, C, D, E, F ¹	U206-0657 thru U20602199	MC0442506-1 ⁴	MC0442506-2 ⁴	MC0442506-8 ³	MC0442506-9 ³	TLSSL-KT-2		
TU206F, G, U206F ¹ , G	U20602200 thru U20607020	MC0442506-1 ⁴	MC0442506-2 ⁴	MC1243629-2 ⁴	MC0442506-9 ³			
207, 207A, T207, T207A	All	MC0442506-1 ⁴	MC0442506-2 ⁴	MC1243629-2 ⁴	MC0442506-9			
210G, H, T210G, H	All						MC1243422-1	MC1243618-2
210J, K, L, M, N, R, T210J, T210K, L, M, N, R, P210N, R	All	MC1243426-2		MC1243038-1			MC1243422-1	MC1243618-3

Notes:

- ¹ Partial model eligibility
 - ² Standard Nose Strut
 - ³ Heavy Duty Nose Strut
 - ⁴ Standard and Heavy Duty Nose Struts
- Upper Torque Links use Lube Fitting P/N AS15002-1P where applicable
Lower Torque Links use Lube Fitting P/N AS15002-3P where applicable

To purchase Torque Links without bushings and stop lugs, please use this chart for reference	Torque Link with Bushings	Torque Link without Bushings
	MC0442506-1	1715
	MC0442506-2	1716
	MC0442506-12	1715
	MC0543035-3	1717
	MC0543035-8	1718
MC1243635-1	1715	

See page 216 for Stop Lug and Safety Plate details!

Landing Gear and Nose Wheel Steering Parts

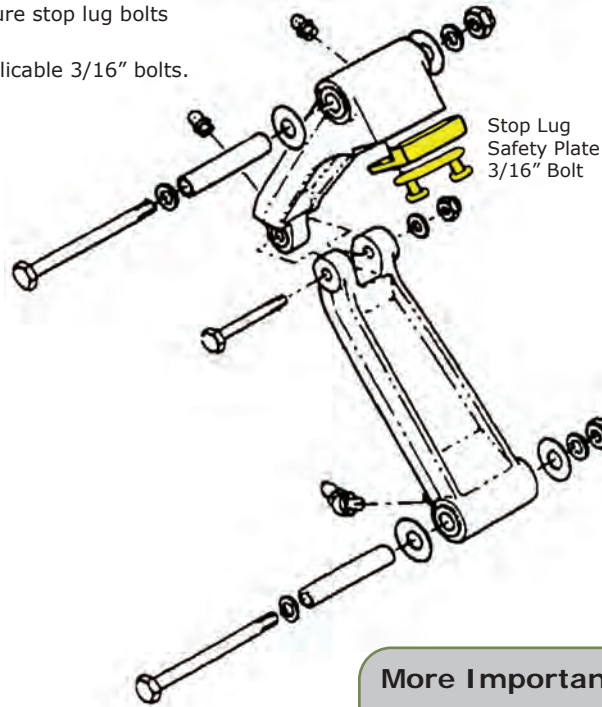
Torque Link Stop Lugs and Safety Plate for Cessna Aircraft

Replace worn out stop lugs to reduce drag!

This often overlooked but important part is affordable at McFarlane! The torque link stop lug is a sacrificial part that hammers against a flat spot on the lower part of the shock strut outer tube when the strut extends after take off. This prevents the strut from overextending and forces the nose wheel and rudder system into proper alignment for flight.

Due to repeated hammering with every takeoff, these stop lugs must be periodically replaced. Excessive wear can allow overextension of the strut. They also often wear unevenly resulting in inconsistent alignment of the nose wheel in flight which then causes extra drag and yaw. The extra yaw can require increased rudder trim which causes even more drag. So yes, replacing a torque link stop lug can reduce drag!

- Safety plate features bend up tabs to secure stop lug bolts
- Super tough 4130 alloy steel
- Kits include stop lug, safety plate and applicable 3/16" bolts.



See page 215 for Torque Link Assemblies!



Maintenance Tip:

Replace the stop lug if it is no longer flush with the strut, mushroomed, worn rounded, bent away from the torque link, or if it has stress cracks. The safety plate should not be reused.

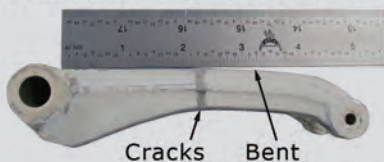
More Important Than You Think

Overextension of the nose strut due to a worn out stop lug can lead to a cascade of problems. McFarlane A&P mechanics have seen struts over extend to the point where the metering pin comes out of the orifice. This results in loss of dampening action and the pin hammering the orifice every landing and distorting and enlarging it. Over time, the excess nose strut travel and lack of dampening can result in fatigue cracks in the torque link arms. McFarlane recommends thoroughly inspecting all nose strut components when replacing a severely worn stop lug.

McFarlane Heavy Duty Torque Link



Damaged Original Torque Link



FAA-PMA Approved

Torque Link Assembly

Cessna 100 & 200 Series Aircraft

Stronger, lasts longer, and cost less!

Our design resists cracking and bending, and provides a longer service life

SAVE THOUSANDS \$\$\$

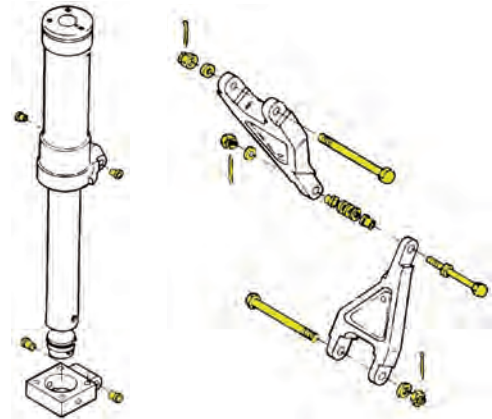
See page 215 for details!

Landing Gear and Nose Wheel Steering Parts

Nose Gear Torque Link Repair Kits for Piper Aircraft

Prevents shimmy by removing looseness in the torque links.

- Replaces all common wear torque link components in a convenient kit
- Fits most Piper aircraft
- Contains FAA-PMA parts from PMA Products, standard hardware, or original Piper parts
- Save time and money! No more research and ordering of individual parts.



Landing Gear and Nose Wheel Steering Parts

Aircraft	Serial Number	Main Wheel Kit 2 kits req. if not labeled Left/Right	Nose Wheel Kit
PA-23, PA23-160	All	PTL-KT-91	PTL-KT-91
PA-23-235	All	PTL-KT-92 w/o Notched Bushings PTL-KT-93 w/Notched Bushings	PTL-KT-92 w/o Notched Bushings PTL-KT-93 w/Notched Bushings
PA-23-250	All	PTL-KT-92 w/o Notched Bushings PTL-KT-93 w/Notched Bushings	PTL-KT-92 w/o Notched Bushings PTL-KT-93 w/Notched Bushings
PA-E23-250	All	PTL-KT-92 w/o Notched Bushings PTL-KT-93 w/Notched Bushings	PTL-KT-92 w/o Notched Bushings PTL-KT-93 w/Notched Bushings
PA-24, PA-24-250, PA-24-260, PA-24-400	All	PTL-KT-36 Left PTL-KT-75 Right	PTL-KT-95
PA-28-140, PA-28-150, PA-28-160, PA-28-180	All	PTL-KT-11	PTL-KT-31
PA-28-151	All	PTL-KT-13	PTL-KT-29
PA-28-161	2816001 thru 2816119	PTL-KT-4	PTL-KT-31
	2841001 thru 2841365	PTL-KT-10	PTL-KT-26
	2842001 thru 2842999	PTL-KT-5	PTL-KT-32
	28-7716001 thru 28-7816253 28-7816254 thru 28-8616057	PTL-KT-15 PTL-KT-4	PTL-KT-31
PA-28-181	2843001 thru 2843999	PTL-KT-3	PTL-KT-30
	2890001 thru 2890231	PTL-KT-7	
	28-7690001 thru 28-7890231 28-7890232 thru 28-8690062	PTL-KT-12 PTL-KT-7	PTL-KT-27
PA-28-201T	All	PTL-KT-2	PTL-KT-52
PA-28-235	All	PTL-KT-11	PTL-KT-31
PA-28-236	All	PTL-KT-77	PTL-KT-28
PA-28R-180	28R-30002 thru 28R-31279	PTL-KT-59 Right	PTL-KT-78
	28R-7130001 thru 28R-7130005	PTL-KT-40 Left PTL-KT-60 Right	PTL-KT-81
	28R-7130006 thru 28R-7130013	PTL-KT-39 Left PTL-KT-60 Right	PTL-KT-81
PA-28R-200	28R-30482, 28R-35001 thru 28R-7135062	PTL-KT-40 Left PTL-KT-59 Right	PTL-KT-78
	28R-7135063 thru 28R-7135109	PTL-KT-40 Left PTL-KT-60 Right	PTL-KT-81
	28R-7135110 thru 28R-7635545	PTL-KT-39 Left PTL-KT-60 Right	PTL-KT-81
PA-28R-201, PA-28R-201T	2803001 thru 2837061	PTL-KT-44 Left PTL-KT-61 Right	PTL-KT-81
PA-28R-201	2844001 thru 2844999	PTL-KT-39 Left PTL-KT-68 Right	PTL-KT-100
PA-28R-201, PA-28R-201T	2803001 thru 2837061 28R-7703001 thru 28R-7837317	PTL-KT-44 Left PTL-KT-61 Right	PTL-KT-81
PA-28RT-201, PA-28RT-201T	All	PTL-KT-43 Left PTL-KT-61 Right	PTL-KT-80
PA-30	All	PTL-KT-95	PTL-KT-95
PA-31, PA-31-300, PA-31-325	31-5 thru 31-7812120	PTL-KT-22 w/Notched Bushings PTL-KT-21 w/o Notched Bushings	PTL-KT-90 w/o Notched Bushings PTL-KT-98 w/Notched Bushings PTL-KT-97 w/Notched Bushings PTL-KT-56 w/o Notched Bushings
	31-7812121 thru 31-8312019		
PA-31-350	31-5001 thru 31-8553002	PTL-KT-25 w/o Notched Bushings PTL-KT-18 w/Notched Bushings	PTL-KT-67 w/o Notched Bushings PTL-KT-73 w/Notched Bushings
PA-31-350 (T1020)	31-8253001 thru 31-8553002	PTL-KT-24 w/o Notched Bushings PTL-KT-17 w/Notched Bushings	PTL-KT-70 w/o Notched Bushings PTL-KT-64 w/Notched Bushings
PA-31P	All	PTL-KT-25 w/o Notched Bushings PTL-KT-18 w/Notched Bushings	PTL-KT-65 w/o Notched Bushings PTL-KT-72 w/Notched Bushings
PA-31P-350	All	PTL-KT-25 w/o Notched Bushings PTL-KT-18 w/Notched Bushings	PTL-KT-65 w/o Notched Bushings PTL-KT-71 w/Notched Bushings
PA-31T, PA-31T1, PA-31T2, PA-31T3	All	PTL-KT-23 w/o Notched Bushings PTL-KT-16 w/Notched Bushings	PTL-KT-65 w/o Notched Bushings PTL-KT-71 w/Notched Bushings
PA-32-260	32-1 thru 32-7700023	PTL-KT-14	
	32-7800001 thru 32-7800008	PTL-KT-9	PTL-KT-33
PA-32-300	32-40000 thru 32-7840043	PTL-KT-14	
	32-7840044 thru 32-7940290	PTL-KT-9	PTL-KT-33
PA-32-301, PA-32-301T	All	PTL-KT-8	PTL-KT-34
PA-32-301FT, PA-32-301XTC	All	PTL-KT-6	PTL-KT-35
PA-32R-300	All	PTL-KT-37 Left PTL-KT-69 Right	PTL-KT-81
		PTL-KT-42 Left PTL-KT-60 Right	PTL-KT-81
PA-32R-301, PA-32R-301T	3213001 thru 3229003	PTL-KT-45 Left PTL-KT-63 Right	PTL-KT-80
	3246001 thru 3257999	PTL-KT-42 Left PTL-KT-60 Right	PTL-KT-81
	32R-8013001 thru 32R-8629008	PTL-KT-42 Left PTL-KT-60 Right	PTL-KT-81

Eligibility continued on next page

Eligibility continued from previous page

Aircraft	Serial Number	Main Wheel Kit 2 kits req. if not labeled Left/Right	Nose Wheel Kit
PA-32RT-300, PA-32RT-300T	All	PTL-KT-41 Left PTL-KT-60 Right	PTL-KT-99
PA-34-200	All	PTL-KT-42 Left PTL-KT-60 Right	PTL-KT-86
PA-34-200T	All	PTL-KT-38 Left PTL-KT-58 Right	PTL-KT-86
PA-34-220T	3433001 thru 3447029	PTL-KT-57	PTL-KT-86
	3448038 thru 3448079	PTL-KT-57	PTL-KT-86
	3449001 thru 34-8633031	PTL-KT-57	PTL-KT-86
PA-38-112	All		PTL-KT-1
PA-39	All	PTL-KT-95	PTL-KT-95
PA-42, PA-42-720, PA-42-720R	All	PTL-KT-20 PTL-KT-25 w/o Notched Bushings	PTL-KT-65 w/o Notched Bushings PTL-KT-71 w/Notched Bushings
PA-42-1000	All	PTL-KT-19	PTL-KT-65 w/o Notched Bushings PTL-KT-71 w/Notched Bushings
PA-44-180	4495001 thru 4495013	PTL-KT-44 Left	PTL-KT-80
	4496001 thru 4496999	PTL-KT-61 Right	PTL-KT-74
	44-7995001 thru 44-8195026		PTL-KT-80
PA-44-180T	All	PTL-KT-43 Left PTL-KT-62 Right	PTL-KT-80
PA-46-310P	All	PTL-KT-48	PTL-KT-96
PA-46-350P (w/ G1000)	All	PTL-KT-47	PTL-KT-88
PA-46-350P (w/o G1000)	4622001 thru 4622200	PTL-KT-46	PTL-KT-96
	4636001 thru 4636195	PTL-KT-51	PTL-KT-88
	4636196 thru 4636999	PTL-KT-50	PTL-KT-88
PA-46-500TP (w/ G1000)	All	PTL-KT-54	PTL-KT-87
PA-46-500TP (w/o G1000)	All	PTL-KT-55	PTL-KT-87
PA-46R-350T (w/ G1000)	All	PTL-KT-50	PTL-KT-89
PA-46R-350T (w/o G1000)	All	PTL-KT-50	PTL-KT-88

Removing Torque Link Bushings (Nose Gear Scissors)

By Dave McFarlane

Removing the flanged bushings from the torque link forging can be difficult as there is not a good surface to press against or grab onto. An easy way to remove them is to thread them with a tap, screw a bolt in the thread you made, and then drive or press against the bolt. The thread does not have to be a full depth thread for the bolt to hold securely in the bushing. The bushing material is somewhat hard, but not so hard that a standard hardware store tap will not do the job. Use cutting oil on the tap to prevent tap damage. Normally the bushing will then come out easily. For stubborn bushings, soak the link assembly in boiling water before pressing the bushing. The heat will expand the aluminum forging more than the steel bushing. This helps loosen the press fit while limiting the temperature to prevent from overheating and harming the heat treat of the aluminum forging. A controlled oven can be substituted for boiling water as a heat source, but do not exceed 350° F. Do not use flame or other non-controlled heat sources. An alternate method is to put dry ice in the bushing before driving or pressing on the bolt you threaded into the bushing. Do not over-press or hammer as the aluminum can gall to the bushing and leave a damaged bushing bore. If the bushing does not come out with light to moderate force take the time to use some heat or cold to help.

Cessna Brake Line Fairing Extrusion

Reduce Drag!
P/N P580058

- Paintable
- Easily attaches with super glue
- Replaces P/N S1511-1

White rubber extrusion that attaches to the trailing edge of flat Cessna landing gears and serves as a fairing for the brake line.

This extrusion was original equipment on later model aircraft with flat gears. Many mechanics use this as an improvement for the earlier aircraft.

Manufactured by Cessna Aircraft Company



Wheel Pant Mounting Plates for Cessna Aircraft

P/Ns MC0441225-1, MC0441225-2,
MC0541220-1 and MC0541220-2

- Machined from high strength aluminum alloy
- Anodized for corrosion resistance
- Nut plates are riveted in place - ready to install!



Maintenance Tip:

Wheel pant mounting plates commonly crack around the axle. If any cracks are present, they should be replaced. The cracks are caused by wheel pant vibration. Assure that the wheel pant axle bolts are tight. Proper wheel balance will lessen wheel pant vibration. See page 242 for a simple but effective wheel balancer.

Model	Serial Number	Left	Right
150L	15074851 thru 15079405	MC0441225-1	MC0441225-2
F150L	F15001014 thru F15001428	MC0441225-1	MC0441225-2
A150L	A1500430 thru A1500734	MC0441225-1	MC0441225-2
FRA150L	FRA1500212 thru FRA1500336	MC0441225-1	MC0441225-2
152	15279406 thru 15286033	MC0441225-1	MC0441225-2
A152	A1520735 thru A1521049	MC0441225-1	MC0441225-2
F152	F15201429 thru F15201980	MC0441225-1	MC0441225-2
FA152	FA1520337 thru FA1520425	MC0441225-1	MC0441225-2
172M	17261899 thru 17276673	MC0541220-1	MC0541220-2
172R	17280001 and On	MC0541220-1	MC0541220-2
172S	172S80001 and On	MC0541220-1	MC0541220-2
F172M	F17201035 thru F17202254	MC0541220-1	MC0541220-2
FR172	FR17200441 thru FR17200675	MC0541220-1	MC0541220-2
R172K	R1722000 thru R1723454	MC0541220-1	MC0541220-2

Partial model eligibility

Landing Gear and Nose Wheel Steering Parts

McFarlane's FAA-PMA Australian Nose Strut Seal Kit Solves the Problem!

Don't waste your time with substandard seals, nothing compares!!



- Double edge ("X" style) seal that will not twist and leak!
- Solves the continuous leak and re-service problems with the Cessna nose strut.
- Go years without servicing!

P/N MCSK172-1F

- FAA-PMA direct replacement for Cessna P/N SK172-1F.
- Also includes AN901-5A gasket.
- Improved lock rings are made of 304 stainless steel for better corrosion resistance.
- Components also available separately.



Seal Cross Section:



Aircraft	MCSK172-1F Contains		
	Qty	P/N	Description
All 150, 152, 172, 175 and 177RG series			
182E-T, A182J,K,L,N	1	AN901-5A	Gasket
F182P,Q, FR182, R182, TR182, T182, T182T	1	MC0841200-19	Lock Ring
210-5A (205A)	1	MC0841200-25	Lock Ring
206, 207 series	2	MCS1628-329	Backup Ring
210B-R, P210N,R, T210F-R	1	MCS2418-1	Scraper Ring
T303	1	MS28775-010	O-ring
337 series	1	MS28775-221	O-ring
	1	MS28775-225	O-ring
	1	MS28775-228	O-ring
	1	1100	Square Seal

Note: P/N NSS-KT-2 does not contain the improved square ("X" style) O-ring. Adding this improved part is pending FAA-PMA approval.

Aircraft	NSS-KT-2		
	Qty	P/N	Description
182, 182A,B,C,D	1	AN901-5A	Gasket
210-5 (205)	1	MC0841200-19	Lock Ring
210, 210A	1	MC0841200-25	Lock Ring
310, 310B,C,D,F,G,H,I,J,J-1,K,L,N,P,Q	2	MS28782-32	Packing Retainer
320, 320-1, 320A,B,C,D,E,F	1	MCS2418-1	Scraper Ring
336	1	MS28775-010	O-ring
	1	MS28775-221	O-ring
	1	MS28775-225	O-ring
	1	MS28775-228	O-ring
	1	MS28775-329	O-ring



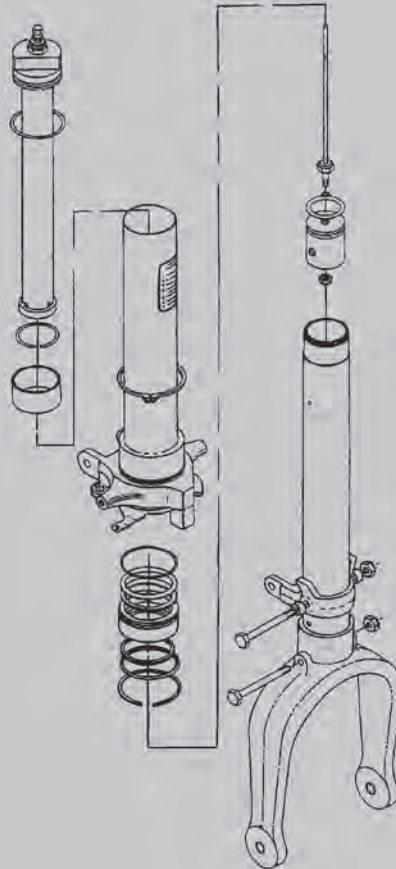
Maintenance Tip:
Wipe the chrome strut down with Stoddard solvent (mineral spirits) periodically to soften and remove any dried oil film, dirt, dust and bugs.

Why Does My Cessna Nose Strut Keep Leaking Down?

By Dave McFarlane

Cessna Nose strut "leak down" has plagued Cessna owners for the last 65 years. Why is it that a month after you reseal the nose strut you find the strut down again or just low and showing signs of a little MIL-5606 on the pretty chrome? It always happens on Sunday when no one is around to help you service it. You service it up the next week only to have it do it again next month. After several strut reseals most people just resign to servicing it often and consider it part of owning a Cessna. Piper and Beech struts do not leak down or need to be resealed often and they are high pressure!

With a strong belief that everything that goes wrong on an airplane has a reason that can be explained by physics, we did some research. It was observed that the low time leaking O-ring that was removed always showed signs of being slightly twisted and otherwise like new. Further experiments and close evaluations proved that the O-ring would twist from friction caused by an oxidized hydraulic fluid film on the chrome strut. You probably have noticed how MIL-5606 hydraulic fluid tends to dry and get sticky after it is exposed to air. Add a little runway dust to the back side of the strut and it really gets sticky. The low operating pressures of the Cessna strut does not put a lot of holding pressure to stabilize the sealing O-ring. It was observed that the sticky film on the chrome strut can grab and adhere to the O-ring during a normal strut action cycle. If the sticky film is not evenly dispersed on the strut, the O-ring is rolled a little on the filmy side only. This uneven rolling action puts a slight twist in the O-ring. This slight twist can break the normal seal between the strut and the



O-ring allowing a slow unpredictable leak.

It seemed logical that if you lowered the friction on the O-ring surface you could eliminate the problem. A hunt was on for a low friction O-ring that would resist being rolled and would have good durability. After many experiments with Teflon® coated and other specialty O-rings only partial success was achieved. They either were not as durable or the sealing characteristics were not as good as the standard rubber O-ring.

A break finally came at Airventure Oshkosh when Tony Brand of Horsham Aviation Services located in Horsham, Victoria, Australia came by and explained how they solved the problem. They had observed the same twisting of the strut O-ring and went on to explain how they replaced the round O-ring with a square ("X" style) O-ring that can not rotate. The standard backup rings were simply reversed to match the square sides of the new style O-ring. The "X" O-rings have the same material as the standard ones. Brilliant! Why didn't we think of that!? We rushed home and changed all the O-ring seals in five of the airplanes on the field. One of them was our 152 trainer that takes a lot of abuse. We were going to find out if those innovative Aussies knew what they were talking about. Sure enough, that was almost five years ago and we have never had to service the nose strut (not even with air) on any of the aircraft with the square O-rings! My hat goes off to the boys from Down Under for saving the industry thousands of man hours every year and making the Cessna fleet more reliable! Thank you!

Our FAA-PMA seal kit, P/N MCSK172-1F now includes the square ("X" style) O-ring and instructions for reversing the back up rings.

Original Cessna Shimmy Dampener Parts

Save \$\$\$ — Repair your fluid dampener

Don't buy a disposable rubber dampener. Save money with replacement PMA parts. McFarlane now has affordable repair parts for the original fluid dampener. Save over \$400.

- More cost effective than a throwaway unit
- Proven design with up to 5x the dampening power of Lord®

Improved Shimmy Dampener Shaft

Save up to 50% - Lasts longer!

- Perfected chrome finish for improved o-ring life and seal
- Durable one piece design — heat treated 4130 steel

Head Bearings and Piston

Precision Machined, Direct Replacements

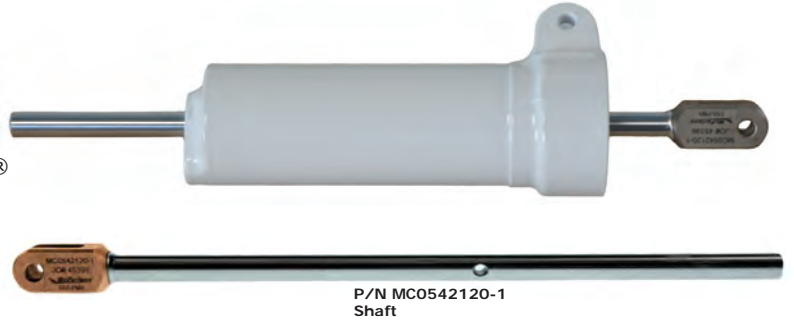
Convenient Assemblies and Kits

- Simplify your repair process
- Assembled kits make overhaul more efficient
- One part number gives you everything you need

Maintenance Tip:

Measure the diameter of the head bearing to determine the correct piston assembly or repair kit.

Piston Assemblies includes pre-assembled shaft, head bearing, piston, head bearing o-rings, and roll pin.



Seal Kit

P/N SDKT-1

Includes all necessary o-rings and backup rings



Repair Kit

P/N SDKT-2 (1 5/16" diameter)

Includes piston assembly, snap ring(s) and housing o-ring.



Repair Kit

P/N SDKT-3 (1 3/16" diameter)

Includes piston assembly, snap ring(s) and housing o-ring.



Hardware Kit

P/N SDKT-4

Includes all nuts, bolts, washers, cotter keys, and bushings to attach the shimmy dampener to the nose strut.



Seal Kits

P/N SDKT-5 and SDKT-6

Includes all necessary o-rings and back-up rings



Shimmy Dampener Replacement Parts for Cessna Aircraft

Aircraft	Serial Number	Part Number/Description MC0542102-1 Head Bearing (1 3/16" diameter head bearing)	MC0542102-3 Head Bearing (1 3/16" diameter head bearing)	MC0542118-1 Piston Assembly (1 3/16" diameter head bearing)	MC0542118-5 Piston Assembly (1 3/16" diameter head bearing)	MC0842400-3 Piston	MC0542120-1 Shaft	SDKT-1 Seal Kit	SDKT-2 Repair Kit (1 5/16" diameter head bearing)	SDKT-3 Repair Kit (1 3/16" diameter head bearing)	SDKT-4 Hardware Kit	SDKT-5 Seal Kit	SDKT-6 Seal Kit
150, 150A,B,C,D,E,F, F150F	17879 and On	4	3					2					
150G	15064533 thru 15067056	4	3	4	3	2	2	2	4	3	2		
150G	15067057 and On		3		3	2	2	2		3	2		
150K,L,M, A150K,L,M, FA150K,L,M, FRA150L,M	All		3		3	2	2	2		3	2		
F150G	All	4	3	4	3	2	2	2	4	3	2		
F150H,J	All		3		3	2	2	2		3	2		
F150K,L,M	All		3		3	2	2	2		3	2		
152, A152, F152, FA152	All		3		3	2	2	2		3	2		
172, 172A,B,C,D,E,F,G,H	46433 thru 17256449	4	3	4	3	2	2	2	4	3	2		
172H	17256450 and On		3		3	2	2	2		3	2		
F172D,E,F,G,H	F172-0001 thru F172-0519	4	3	4	3	2	2	2	4	3	2		
F172H	F172-0520 thru F17202254		3		3	2	2	2		3	2		
FP172, P172D	All	4	3	4	3	2	2	2	4	3	2		
FR172E,F,G,H,J,K, R172K	All		3		3	2	2	2		3	2		
175, 175A,B,C	55896 and On	4	3	4	3	2	2	2	4	3	2		
177, 177A,B	ALL											2	
182B,C,D	All	4	3	4	3	2	2	2	4	3	2		
182E	18253599 thru 18254143	4											
182K,L,M,N,P,Q,R,S,T	18257626 thru 18281197												2
A182K,L,N	All												2
F182P,Q	All												2
T182T	T18208001 thru T18299999												2

1 Partial model eligibility
 2 When equipped with fluid filled dampener (not a Lord rubber dampener)
 3 When equipped with fluid filled dampener with a 1 3/16" diameter head bearing
 4 When equipped with fluid filled dampener with a 1 5/16" diameter head bearing

McFarlane Shimmy Dampener Assembly

Replace the Lord throw away dampener with our fully repairable Shimmy Dampener Assembly!
P/N MC0442512-1 for Cessna 150, 152, 172, 175 and 182 Aircraft
Up to 5x the dampening power of Lord® !!

NEW

Direct replacement for part numbers 0442512-1 and 0542119-1
It's everything the original should have been and more than the rubber units ever could be!!

- Oversize shaft for rigid strength
- Wear resistant hard anodized housing
- Better shimmy dampening
- Totally repairable
- Self lubricating
- Costs less than the throw away rubber dampener



Temperature compensated hydraulics

- Thermally compensated hydraulic action for low maintenance
- Even the first minor movements are dampened
- Consistent dampening action
- No oil leaks

Save \$\$\$



Seal Kit P/N SDKT-7

- Designed specifically to re-seal McFarlane shimmy dampeners
- Contains all required O-rings and back up rings



P/N MC0442512-1 installed on a 152

Shimmy Dampener Assembly P/N MC0442512-1		Replacement Parts	Description	
Model	Serial Number	1520	Barrel	
150G,H,J,K,L,M, A150K,L,M	All	1521	Bearing, Head, Shimmy Dampener	
F150G,H,J,K,L,M		1522	Bearing, Head, Shimmy Dampener W/ Fill Hole	
FA150K,L,M		1523	Shaft, Shimmy Dampener	
FRA150L,M		1524	Piston (base number)	
152, A152, F152, FA152	All	1525	Piston, Floating, Shimmy Dampener	
172, 172A,B,C,D,E,F,G,H, I,K,L,M,N,P,Q	46433 and On	1526	Screw, Set	
F172D,E,F,G,H,K,L,M,N,P, FP172, P172D, FR172E,F,G,H,J,K R172K		1527	Spring, Shimmy Dampener	
172R		17280001 thru 17281142	1530	Tool, Extraction, Floating Piston
172S		172S8001 thru 172S9288	1531	Tool, Spring Insertion
175, 175A,B,C	55896 and On	1532	Screw, Seal	
182B,C,D	All	AN565AC624H6	Screw, Set, 3/8-24 X 3/8"	
		MS1665-1137	Ring, Retaining	
		SDKT-7	Seal Kit	
		MS51031-137	Screw, Set, 3/8-24, SS	
		NAS561P4-16	Pin, Retaining	

ⓘ Housings and Pistons that are letter coded require placement of Piston P/N 1524 and Seal Kit P/N SDKT-7

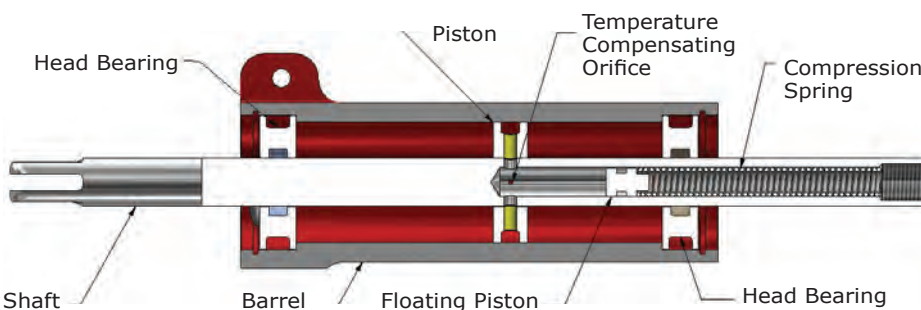
What Does Temperature Compensated Mean?

By Dave McFarlane

When hydraulic oil changes temperature, the volume of the oil also changes. This volume change from a temperature reduction will create a vacuum in the oil chamber of the original Cessna uncompensated shimmy dampener. This vacuum will cause the oil to vaporize giving the oil a foamy expanded mixture that is compressible. The shimmy dampener action is then drastically degraded. An increase in temperature will increase the oil volume causing a drastic pressurization of the dampener oil chamber. This pressure will force small quantities of oil past the dampener shaft seals. The decrease in oil will then aggravate any temperature reduction with increased chamber vacuum and

related oil vaporization. This process explains why continuous servicing of the original shimmy dampener is required.

The temperature compensation system works by having a small chamber of oil that is spring pressurized through a very small passage into the main dampening restrictive orifice of the shimmy dampener. The spring loaded oil chamber can adjust for oil volume changes as temperature changes. A similar system is built into your car shock absorbers. The temperature compensated hydraulic system requires very little service over extended periods of time and assures stable shimmy dampening action.



Why is a hydraulic Shimmy Dampener better than a rubber Dampener?

By Dave McFarlane

See next page!

Why is a hydraulic Shimmy Dampener better than a rubber Dampener?

By Dave McFarlane

General Discussion

The McFarlane shimmy dampener is designed to drastically outperform the Lord® brand rubber dampener and the original Cessna hydraulic shimmy dampeners. All the dampening forces of the McFarlane dampener were found similar to the original vintage Cessna hydraulic dampeners. Our improved dampener extends the life, offers greater consistency of dampening forces, and reduces the required servicing frequency as compared to the Cessna dampener. Tests were performed and carefully measured on a new McFarlane dampener, a new Cessna hydraulic dampener, and a new Lord rubber dampener. The Cessna hydraulic dampener was found to have similar dampening characteristics as the new McFarlane hydraulic dampener. For simplicity, only the McFarlane hydraulic dampener results are shown in the data charts.

What Would the Ideal Dampener Do? The best possible dampener would move easily with no resistance to motion at slow speeds for quick and easy control of the nose wheel while steering the aircraft and the dampener would have tremendous resistance to motion when moved at high speeds during shimmy. The aircraft steering system uses spring pressure to turn the nose wheel. If the dampener is hard to move while steering, the steering input of the pilot is absorbed by the steering springs and no steering occurs. The result is that the nose wheel does not respond or responds slowly and more erratically to pilot input. The less force required to move the dampener at slow speeds the better steering control the pilot has. Nose wheel shimmy creates high speed movement of the dampener. Shimmy is prevented or stopped by high dampener resistance to motion. The higher the force required to move the dampener at shimmy speeds the better the dampener will stop shimmy. It is desirable to have the dampener forces increase as the speed of the shimmy cycle increases. The ideal dampener would also have heavy dampening forces for a large portion of the shimmy travel cycle. Good shimmy dampening characteristics would be a combination of strong dampening forces and a long motion cycle for the dampening forces.

How Does a Hydraulic Resistance Dampener Work? In general, the hydraulic shimmy dampener design depends on oil flow through a controlled orifice (several small holes in the piston or clearance between the piston and cylinder wall or both). Since the orifice or clearance is a fixed size there is more resistance to the oil flow the faster the dampener is moved. The oil path is designed to be large enough that when the oil is moving slowly while steering it can flow easily through the allowed space from one side of the piston to the other. When the oil is moving fast, the oil path is too small to let higher volume of oil through quickly. The faster the shimmy dampener moves the more resistance there is to oil flow. As the dampener action becomes faster, the dampening forces increase. Since dampening forces are related to the speed of the oil flowing through the orifice, there is high dampening forces for all of its travel cycle except when it is changing directions. Restricted flow hydraulics makes the perfect shimmy dampener system.

How Does a Lord® Friction Type Rubber Dampener Work? The Lord® rubber dampener depends on the friction of the rubber piston against the cylinder wall. Rubber by nature requires a lot more force to start it to move (static friction) than the force required when it is in motion (dynamic friction). By characteristic of rubber sliding on metal, there is little difference in the friction forces when a rubber piston is moved slowly in the cylinder or if it move fast in the cylinder. The friction can actually decrease with the speed of the rubber piston. The Lord® rubber piston is designed where the rubber expands during the change of direction adding more friction that gives it its dampening action. The problem is that as the rubber piston moves back and forth there is increased friction only at the direction change position which is a very small part of the motion cycle. The friction forces during the rest of the shimmy motion cycle is close to the low slow motion (steering) friction forces. The change of direction is only a short part of the travel cycle. With the Lord® dampener, there is a diminishing gain of the dampening action as the speed increases. See Figures 1 and 2.

How Does the Service Life Compare? The service life of the different dampeners was tested by cycle testing a new vintage Cessna hydraulic dampener, a new McFarlane dampener and a new Lord® dampener. The Cessna hydraulic dampener failed at approximately 17,000 cycles with the O rings leaking and with significant wear in the head bearing. The McFarlane dampener went over 300,000 cycles without seal failure or any significant wear in the head bearings and did not fail. The Lord dampener also went over 300,000 cycles without a failure. The Cessna hydraulic dampener wears out the head bearing area and that allows the piston to shift out of position resulting in scratches and grooves in the cylinder wall and piston. The Cessna hydraulic dampener is repairable but generally comes up a little short of new performance after rebuild due to the cylinder wall scratches and grooves that remain. The new McFarlane dampener is designed with an o-ring seal between the piston and cylinder. The o-ring and a heavier head bearing along with hard anodizing prevents piston and cylinder wall scratching and grooving. The improvements allow the McFarlane dampener to be economically rebuilt many times to original performance. The Lord® dampener does not have a repair and must be thrown away when they fail to prevent shimmy.

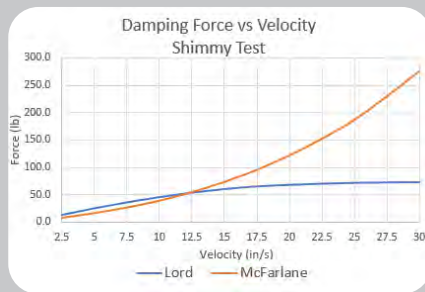


Figure 1

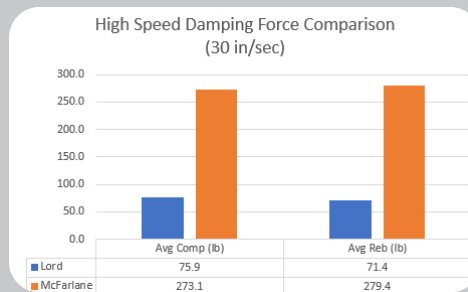


Figure 2

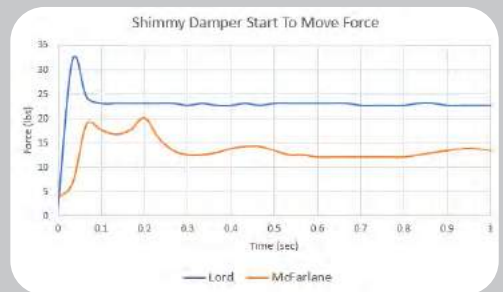


Figure 3

What Do the Charts Tell Us?

You can see from the test data charts, Figure 3, that the rubber dampener is going to make the airplane steer harder and be less responsive to pilot inputs. The Figure 1 charts show that at 20 in/sec of motion (a very slow shimmy), the McFarlane dampener has twice the dampening power of the Lord® rubber dampener and at 30 in/sec the McFarlane dampener has 5 times the dampening power. In conclusion, the McFarlane dampener allows more responsive steering and a much stronger dampening action to stop shimmy.

Landing Gear and Nose Wheel Steering Parts

Main and Nose Strut Seal and Repair Kits for Piper Aircraft

Vast Eligibility for Pipers: PA-22 thru PA-46 aircraft

McFarlane has main and nose, strut seal kits and repair kits for Piper aircraft. Kits are model and serial number specific giving you only the parts required, saving you time and money. All components are industry standard or original Piper parts.

- Save time and money!
- Reference your model and serial number for the best fit kit
- One kit = parts for one strut

**PSS seal kits contain rubber and plastic parts.
PSR repair kits contain the required PSS seal kit and commonly needed metal parts.**



Landing Gear and Nose Wheel Steering Parts

Aircraft Model	Serial Number	Main Strut				Nose Strut			
		Seal Kit	Qty per Aircraft	Repair Kit	Qty per Aircraft	Seal Kit	Qty per Aircraft	Repair Kit	Qty per Aircraft
PA-22, PA-22-108, PA-22-135, PA-22-150, PA-22-160 PA-22S-135, PA-22S-150, PA22S-160	All	N/A	N/A	N/A	N/A	PSS-KT-19	1	PSR-KT-31	1
PA-23, PA-23-160	All	PSS-KT-3	2	PSR-KT-77	2	PSS-KT-3	1	PSR-KT-77	1
PA-23-235, PA-23-250, PA-E23-250	All	PSS-KT-3	2	PSR-KT-14	3	PSS-KT-3	1	PSR-KT-14	3
PA-24, PA-24-250, PA-24-260, PA-24-400	All	PSS-KT-1	2	PSR-KT-1	2	PSS-KT-1	1	PSR-KT-1	1
PA-28-140, PA-28-150, PA-28-160	28-01 thru 28-3281 28-10003 thru 28-10719 28-20002 thru 28-21639	PSS-KT-10	2	PSR-KT-34	2	PSS-KT-19	1	PSR-KT-75	1
	28-3282 thru 4377 28-10720 thru 28-7710089 28-21640 thru 28-7725290					PSS-KT-20	1	PSR-KT-60	1
PA-28-151	All	PSS-KT-36	2	PSR-KT-58	2	PSS-KT-18	1	PSR-KT-26	1
PA-28-161	2816001 thru 2816119 2841001 thru 2841365 2842001 thru 2842999 28-7716001 thru 28-8616057	PSS-KT-36	2	PSR-KT-58	2	PSS-KT-18	1	PSR-KT-26	1
	28-671 thru 28-3281 28-3282 thru 28-7205328 28-730501 thru 28-7505260								
PA-28-180	2890001 thru 2890231 28-7690001 thru 28-8690062 2843001 thru 2843999	PSS-KT-36	2	PSR-KT-58	2	PSS-KT-20	1	PSR-KT-60	1
	28-671 thru 28-3281 28-3282 thru 28-7205328 28-730501 thru 28-7505260								
PA-28R-180, PA-28R-200	All	PSS-KT-12	2	PSR-KT-11	2	PSS-KT-4	1	PSR-KT-20	1
PA-28-201T	All	PSS-KT-31	2	PSR-KT-44	2	PSS-KT-37	1	PSR-KT-59	1
	2844001 thru 2844999 2837001 thru 2837061 28R-7737002 thru 28R-7837317								
PA-28R-201	2837001 thru 2837061 28R-7737002 thru 28R-7837317	PSS-KT-11	2	PSR-KT-8	2	PSS-KT-4B	1	PSR-KT-18	1
	2803001 thru 2803012 28R-7703001 thru 28R-7803373								
PA-28RT-201, PA-28RT-201T	All	PSS-KT-12	2	PSR-KT-17	2	PSS-KT-25	1	PSR-KT-9	1
PA-28-235	28-10001 thru 28-10719 28-10720 thru 28-7210033 28-7310001 thru 28-7710089	PSS-KT-10	2	PSR-KT-34	2	PSS-KT-19	1	PSR-KT-75	1
	2811001 thru 2811050, 28-7911001 thru 28-8611008					PSS-KT-26	1	PSR-KT-76	1
PA-28-236	2811001 thru 2811050, 28-7911001 thru 28-8611008	PSS-KT-31	2	PSR-KT-44	2	PSS-KT-18	1	PSR-KT-26	1
PA-30	All	PSS-KT-1	2	PSR-KT-1	2	PSS-KT-1	1	PSR-KT-15	1
PA-31	31-2 thru 31-7812120 31-7812121 thru 31-8312019	PSS-KT-23	2	PSR-KT-56	2	PSS-KT-34	1	PSR-KT-52	1
	31-2 thru 31-7812120 31-7812121 thru 31-8312016 31-8312017 thru 31-8312019					PSS-KT-39	1	PSR-KT-62	1
PA-31-300, PA-31-325	All	PSS-KT-23	2	PSR-KT-56	2	PSS-KT-34	1	PSR-KT-52	1
PA-31-350	31-5001 thru 31-8352036 31-8352037 thru 8553002	PSS-KT-22B	2	PSR-KT-48	2	PSS-KT-34B	1	PSR-KT-52B	1
	31-5001 thru 31-8352036 31-8352037 thru 8553002								
PA-31-350 (T1020)	All	PSS-KT-22	2	PSR-KT-47	2	PSS-KT-16	1	PSR-KT-68	1
PA-31P	All	PSS-KT-13	2	PSR-KT-67	2	PSS-KT-33	1	PSR-KT-49	1
PA-31P-350	All	PSS-KT-22	2	PSR-KT-47	2	PSS-KT-33	1	PSR-KT-49	1
PA-31T	31T-7400002 thru 31T-8120050 31T-8120051 thru 31T-8120104	PSS-KT-52B	2	PSR-KT-55	2	PSS-KT-33	1	PSR-KT-49	1
	31T-1104004 thru 31T-7804000 31T-7804001 thru 31T-8104055 31T-8104056 thru 31T-8304003								
PA-31T1	31T-1104004 thru 31T-7804000 31T-7804001 thru 31T-8104055 31T-8104056 thru 31T-8304003	PSS-KT-52B	2	PSR-KT-55	2	PSS-KT-33	1	PSR-KT-49	1
	31T-1166001 thru 31T-8166000 31T-8166001 thru 31T-8166013 31T-8166014 thru 31T-8166076								
PA-31T2	31T-1166001 thru 31T-8166000 31T-8166001 thru 31T-8166013 31T-8166014 thru 31T-8166076	PSS-KT-52B	2	PSR-KT-55	2	PSS-KT-33	1	PSR-KT-49	1
	31T-1104004 thru 31T-7804000 31T-7804001 thru 31T-8104055 31T-8104056 thru 31T-8304003								
PA-31T3	All	PSS-KT-32	2	PSR-KT-45	2	PSS-KT-33	1	PSR-KT-49	1
PA-32-260, PA-32-300	All	PSS-KT-10	2	PSR-KT-32	2	PSS-KT-2	1	PSR-KT-23	1
PA-32-301, PA-32-301T, PA-32-301FT, PA-32-301XTC	All	PSS-KT-9	2	PSR-KT-33	2	PSS-KT-20	1	PSR-KT-60	1
PA-32R-300	All	PSS-KT-12	2	PSR-KT-11	2	PSS-KT-4B	1	PSR-KT-18	1
PA-32R-301, PA-32R-301T	3213001 thru 3213103 3229001 thru 3229003 3246001 thru 3246999 3257001 thru 3257999	PSS-KT-4B	2	PSR-KT-73	2	PSS-KT-4	1	PSR-KT-20	1
	32R-8013001 thru 32R-8613006 32R-8029001 thru 32R-8629008								
PA-32RT-300, PA-32RT-300T	All	PSS-KT-28	2	PSR-KT-40	2	PSS-KT-28	1	PSR-KT-39	1
PA-34-200	All	PSS-KT-12	2	PSR-KT-11	2	PSS-KT-7B	1	PSR-KT-71	1
PA-34-200T	All	PSS-KT-4B	2	PSR-KT-70	2	PSS-KT-7B	1	PSR-KT-29	1
PA-34-220T	3447001 thru 3447029 3449001 thru 3449999 3448001 thru 3448079 3433001 thru 3433172 34-8133001 thru 34-8633031	PSS-KT-43	2	PSR-KT-69	2	PSS-KT-7	1	PSR-KT-29	1
	3447001 thru 3447029 3449001 thru 3449999 3448001 thru 3448079 3433001 thru 3433172 34-8133001 thru 34-8633031								

¹ Use only when bearing has (1) O-ring on ID
² Use only when bearing has (1) O-ring groove on ID
³ Use only when bearing has T-seal and backup ring or (1) O-ring with (1) backup ring
⁴ Used to replace O-ring and (1) backup ring or a T-Seal and (2) backup rings in ID

Eligibility continued on the next page

Landing Gear and Nose Wheel Steering Parts

Landing Gear and Nose Wheel Steering Parts

Aircraft Model	Serial Number	Main Strut				Nose Strut			
		Seal Kit	Qty per Aircraft	Repair Kit	Qty per Aircraft	Seal Kit	Qty per Aircraft	Repair Kit	Qty per Aircraft
PA-39	All	PSS-KT-1	2	PSR-KT-1	2	PSS-KT-1	1	PSR-KT-15	1
PA-42	All	PSS-KT-40	2	PSR-KT-63	2	PSS-KT-42	1	PSR-KT-65	1
PA-42-720	42-5501003 thru 42-5501060 42-8301001 thru 42-8301002	PSS-KT-40	2	PSR-KT-63	2	PSS-KT-42	1	PSR-KT-65	1
PA-42-720R	All	PSS-KT-40	2	PSR-KT-63	2	PSS-KT-42	1	PSR-KT-65	1
PA-42-1000	All	PSS-KT-41	2	PSR-KT-64	2	PSS-KT-42	1	PSR-KT-65	1
PA-44-180	4495001 thru 4495013 44-7995001 thru 44-8195026 4496001 thru 4496999	PSS-KT-25	2	PSR-KT-74	2	PSS-KT-25	1	PSR-KT-74	1
PA-44-180T	All	PSS-KT-25	2	PSR-KT-66	2	PSS-KT-25	1	PSR-KT-9	1
PA-46-310P	All	PSS-KT-25	2	PSR-KT-74	2	PSS-KT-25	1	PSR-KT-74	1
PA-46-350P (w/G1000)	All	PSS-KT-24	2	PSR-KT-36	2	PSS-KT-27	1	PSR-KT-35	1
PA-46-350P (w/o G1000)	4622001 thru 4622200 4636001 thru 4636195 4636196 thru 4636999	PSS-KT-24	2	PSR-KT-37	2	PSS-KT-27	1	PSR-KT-35	1
PA-46R-350T (with or without G1000)	All	PSS-KT-21	2	PSR-KT-43	2	PSS-KT-27	1	PSR-KT-35	1
PA-46-500TP (with or without G1000)	All	PSS-KT-21	2	PSR-KT-43	2	PSS-KT-27	1	PSR-KT-35	1

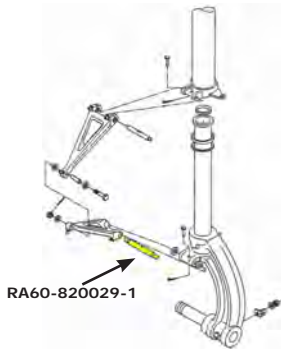
Main and Nose Strut Seal Kit for Beechcraft Aircraft

Aircraft	Main P/N	Nose P/N
B-33, F-33, V-35B, 36, A36, G36, A36TC, B36TC	JMBZMS	JMBZNS

Manufactured by Rapco

Tow Pin for Beechcraft Aircraft

P/N RA60-820029-1



Aircraft
35-A33, 35-B33, 35-C33, 35-C33A, E33, F33, G33, E33A, F33A, F33C
N35, P35, S35, V35, V35A, V35B, 36, A36, A36TC, B36TC, 95-55, 95-A55, 95-B55, 95-C55, D55, E55
56TC, A56TC
58, 58TC, 58P
B60

Manufactured by Rapco

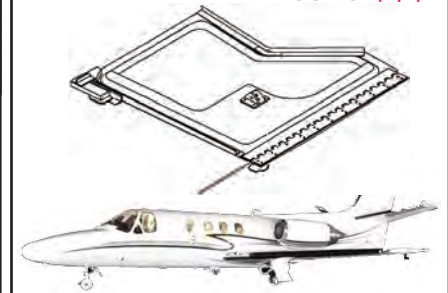


Main Gear Door Hinge Pin for Cessna Citation 550 and 560 Aircraft

P/N MS20253-2-2050

- Corrosion resistant
- Two required per aircraft
- Direct replacement

Save \$\$\$

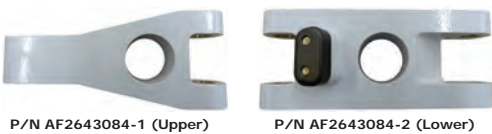


Manufactured by PMA Products, Inc.

Nose Gear Torque Link Assemblies

Improved to reduce wear and prevent cracks
Upper P/N AF2643084-1
Lower P/N AF2643084-2

- Approved for all Cessna 208, 208B models
- Hard aluminum surface to reduce wear
- Precision fit and ready for installation
- Designed to prevent cracking in threaded grease fitting holes
- Durable powder coating finish



P/N AF2643084-1 (Upper)

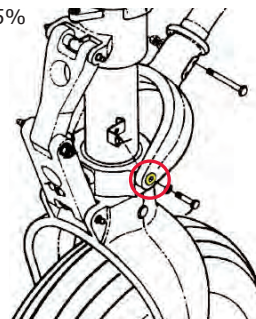
P/N AF2643084-2 (Lower)

Manufactured by Airforms Inc.

Nose Gear Spring Fork Needle Bearing for Caravan

P/N MS24462-5

- Fits all Cessna 208 models
- 2 required per aircraft
- Save up to 25%



Nose Gear Shock Strut Bearing Cups and Cones for Caravan Aircraft

Bearing Cup P/N L217813

Bearing Cone P/N L217849

- Fits all Cessna 208 models
- 2 required per aircraft



Manufactured by The Timken Company

Main Gear Scrapper Ring

P/N MS28776M2-18

Fits Piper Models
PA28-140,150,151,161,
PA28-180,181,235,236,
PA32-260,300



Main Gear Quad Ring

P/N CA484-769

Fits Piper Models
PA-28-140,150,151,160,161,
PA-28-180,181,235,236,201T,
PA-32, PA-32-260,300,301,301T



Nose Gear Quad Ring

P/N CA484-770

Fits Piper Models
PA28-140,150,151,160,161,
PA28-180,181,235,236,
PA32-260,300,301,301T



Manufactured by PMA Products, Inc.

Tail Wheel Fork Bearing for Cessna Aircraft

Bearing Cup P/N 08231

Bearing Cone P/N 08118

Direct replacement for Cessna
P/N 0742400-12



Manufactured by The Timken Company

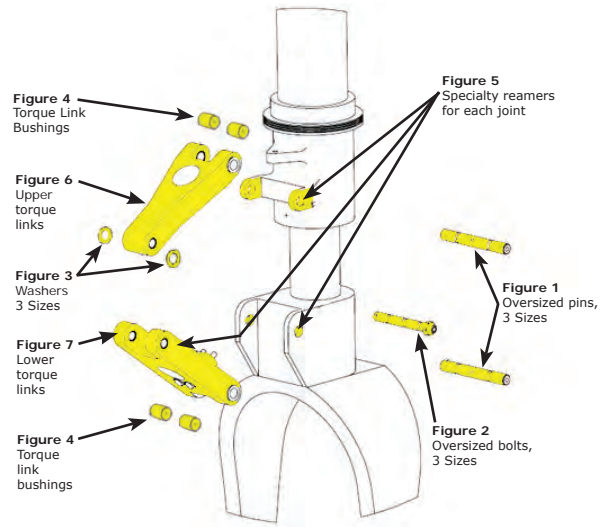
Landing Gear and Nose Wheel Steering Parts

Landing Gear and Nose Wheel Steering Parts

Cessna Caravan Torque Link Repair STC

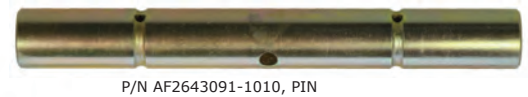
Minimal downtime repair to keep
208/208B nose gears shimmy-free
This STC will dramatically reduce nose gear swaps

- Save over \$15K and be flying the same-day
- Reduce downtime by repairing in the field
- Convenient tool kit allows for on-airplane repair
- EASA approved

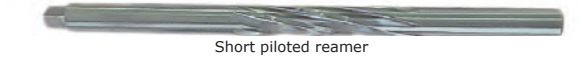


Eligible model series:
Fits all Cessna 208/208B with "double lug" torque links. Includes all S/N's after 2080133/208B0098 or earlier S/N's equipped with SK208-51.

Figure	Part Number	Description	Approval Type
5	TOOL KIT + .010	REAMERS, Oversized .010 - short and long piloted reamers + tap handle	STC
5	TOOL KIT + .020	REAMERS, Oversized .020 - short and long piloted reamers + tap handle	STC
5	TOOL KIT + .030	REAMERS, Oversized .030 - short and long piloted reamers + tap handle	STC
5	TOOL KIT 32-604-56-01	REAMERS, all three sizes	STC
6	AF2643084-1	Upper Torque Link	PMA
7	AF2643084-2	Lower Torque Link	PMA
1	AF2643091-1	PIN, Nominal	PMA
1	AF2643091-1010	PIN, Oversize .010	PMA
1	AF2643091-1020	PIN, Oversize .020	PMA
1	AF2643091-1030	PIN, Oversize .030	PMA
2	AF2643092-1	BOLT, Nominal	PMA
2	AF2643092-1010	BOLT, Oversize .010	PMA
2	AF2643092-1020	BOLT, Oversize .020	PMA
2	AF2643092-1030	BOLT, Oversize .030	PMA
3	32-604-37-22005	WASHER, .005 thickness	STC
3	32-604-37-22010	WASHER, .010 thickness	STC
3	32-604-37-22015	WASHER, .016 thickness	STC
4	AF2643085-200	BUSHING, Torque Link	PMA
	STC-TORQUE LINK	Torque Link STC	STC



Tool kits contain:
Short and long piloted reamers and tap handle

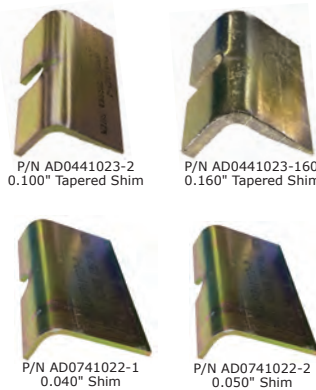
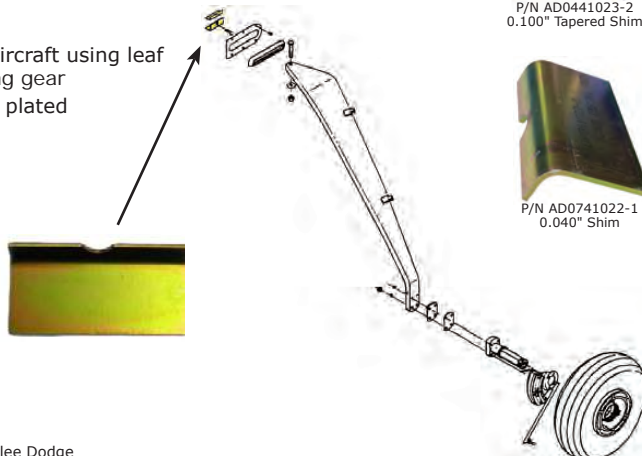


Manufactured by Airforms Inc.

Landing Gear Box Shims

- P/N AD0441023-2
0.100" tapered shim
- P/N AD0441023-160
0.160" tapered shim
- P/N AD0741022-1
0.040" shim
- P/N AD0741022-2
0.050" shim

- For Cessna aircraft using leaf spring landing gear
- 4130N steel, plated
- FAA-PMA



Save \$\$\$

Model	AD0441023-2	AD0741022-1	AD0741022-2	AD0441023-160
120, 140, 140A		A/R		
150A	2-4	A/R		
150B,C,D,E,F,G,H,J,K	2-4	A/R		2
A150K				2
A150L, F150F,G,H,J	2-4	A/R		
F150K, FA150K	2-4	A/R		2
170, 170A,B		A/R		
180, 180A,B,C,D,E		A/R		
180F	2-4	A/R		
180G,H,J,K	2-4	A/R		A/R
180J,K	2-4	A/R	A/R	A/R
185, 185A,B,C,D,E, A185E	2-4	A/R		A/R
A185F	2-4	A/R	A/R	A/R
190, 195A,B		A/R		

Manufactured by F Atlee Dodge

FAA-PMA Approved

Landing Gear and Nose Wheel Steering Parts

Main Landing Gear Gravel Deflector

Prevent damage to your stabilizer and aft fuselage



- Deflect gravel and rocks from horizontal stabilizer and fuselage
- Keep mud, snow, and rocks off of your wings
- Installation requires no additional holes in the structure



Manufactured by AeroTwin

Aircraft	P/N	Applicable with STC Installed
Cessna		
180, 180A,B,C,D,E,F,G,H,J,K	GD5-100	SA02022AK
182, 182A,B,C,D,E,F,G,H,J,K,L,M,N,P,Q	GD5-102	
185, 185A,B,C,D,E, A185E,F	GD5-105	SA4622NM
P206, P206A,B,C,D,E ¹	GD6-100	SA4614NM
TP206A,B,C,D,E ¹		
TU206A,B,C,D,E,F,G ¹		
U206, U206A,B,C,D,E,F,G ¹	GD6-200	SA02003AK
207, 207A, T207, T207A	AT-GD-1001	SA4623NM
208, 208B	GD8-100	SA4651NM
Quest/Daher		
Kodiak 100	GDQ-100	

¹ For big tires, use P/N GD6-200
² S/N 33000 thru 18266590

Nose Gear Gravel Deflector

Protect your cargo pod from costly rock damage



- Deflect rocks from the belly, antennas, and/or cargo pod
- For maximum equipment protection, install the Main Gear Gravel Deflector and the Nose Tire Scraper
- Also great for operating from paved surfaces!



Manufactured by AeroTwin

Aircraft	P/N
Cessna	
206, 206H, T206H ¹	
P206, P206A,B,C,D,E ¹	
TP206A,B,C,D,E ¹	NGD6-100
TU206A,B,C,D,E,F,G ¹	
U206, U206A,B,C,D,E,F,G ¹	
208, 208B	NGD8-100
Quest/Daher	
Kodiak 100	NGDQ-100

Notes:
¹ Only approved with the Airglas large nose fork

Nose Tire Scraper

Shield your propeller from gravel, sand, and water damage!

P/N ATI-208TS fits Caravan 208, 208B with STC SA2335NM installed

P/N TSQ-100 fits Quest/Daher Kodiak 100

- Easily install in under 20 minutes
- Rubber scraper knocks rocks out of the tire tread to keep them from being flung forward through the prop
- Replacement rubber scrapers are available



Manufactured by AeroTwin

PA-31 Inboard Landing Gear Door Hinges

Much stronger and more durable than the originals

P/N DH31-100-1

- Made of stainless steel, rather than aluminum
- Provides relief from AD2000-25-01, which requires repetitive inspections of the inboard landing gear door hinge
- New bearings and hardware included

Piper Aircraft with STC SA02142AD-D Installed

PA-31-300, PA-31-310, PA-31-325, PA-31-350
 PA-31P, PA-31P-350
 PA-31T, PA-31T1, PA-31T2, PA-31T3



Manufactured by AeroTwin

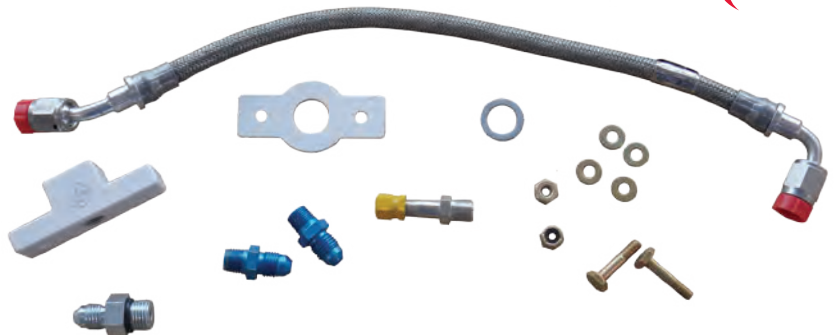


Remote Nose Gear Servicing Port

Eliminates the need to reach up into the nose gear tunnel!

P/N ATRS-100

- For Cessna 205, 206, and 207
- Relocates the servicing port to the side of the nose gear tunnel
- Simplifies servicing of the nose gear strut



Cessna Aircraft	Applicable with STC Installed
206, 206H, T206H	
P206, P206A,B,C,D,E	SA02198AD-D
TP206A,B,C,D,E	
TU206A,B,C,D,E,F,G	
U206, U206A,B,C,D,E,F,G	
207, 207A, T207, T207A	SA02202AK-D

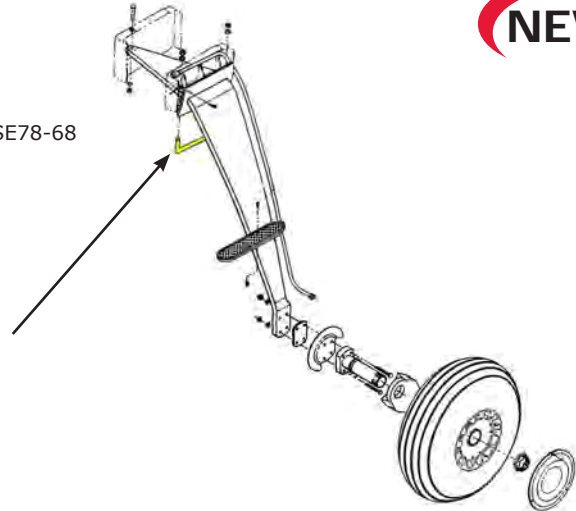
Landing Gear and Nose Wheel Steering Parts

Landing Gear U-Bolt for Cessna Aircraft

P/N MC0541153

- Save \$\$\$
- Vacuum re-melt crankshaft steel alloy for extreme fatigue resistance
- Rolled "J" threads instead of cut threads for twice the fatigue resistance
- FAA approved ICA allows 1200 hrs service life instead of 1000 hrs as per SE78-68

Aircraft
172, 172A,B,C,D,E,F,G,H,I,K
F172D,E,F,G,H
FR172E,F,H
P172D
R172E,F,G,H
175, 175A,B,C
182, 182A,B,C,D



NEW

Landing Gear and Nose Wheel
Steering Parts

U-Bolt History and Maintenance

By Dave McFarlane

U-Bolts take immense vibration and cyclic stress loading from landing and taxiing on imperfect runways. The long Cessna landing gear legs have tremendous twisting leverage on the U-Bolts. Every imperfection you feel while taxiing or operating on the runway is magnified to large stress forces on the U-Bolts that clamp the gear to the outboard fuselage support forgings. The Cessna U-Bolts are made from standard 4130 Steel with inclusions and other imperfections in the metal. The standard sharp threads are cut during Cessna manufacture. The cut threads allow stress concentration of the large stress forces in the sharp "V" of the thread where the U-Bolts are often found broken. When the aircraft is operated with broken U-Bolts, the weight of the airplane and the inboard attachment bolt keeps the landing gear in place, but the twisting gear stress results in hammering vibration on the gear forgings.

If you listen for it, you can hear a broken U-Bolt in the cabin during taxi or you can check for a broken U-Bolt by kicking the tire while holding your finger between the gear leg and the fuselage structure. You will feel movement if the U-Bolt is broken. This hammering will eventually start cracks in the aluminum gear forging and the forging must be replaced — a very expensive repair. It is also recommended to replace the

inboard gear support bolt if the aircraft has been operated with a broken U-Bolt. The inboard bolt is a special high strength magnafluxed bolt that is critical to landing gear security. Because of the U-Bolt failure problem, Cessna issued Service Bulletin SE78-68 requiring periodic inspection of the U-Bolts and replacement of the U-Bolts every 1000 hours to prevent failure and to prevent continued operation with failed U-Bolts. Proper torque process and value are also very important to prevent U-Bolt failure.

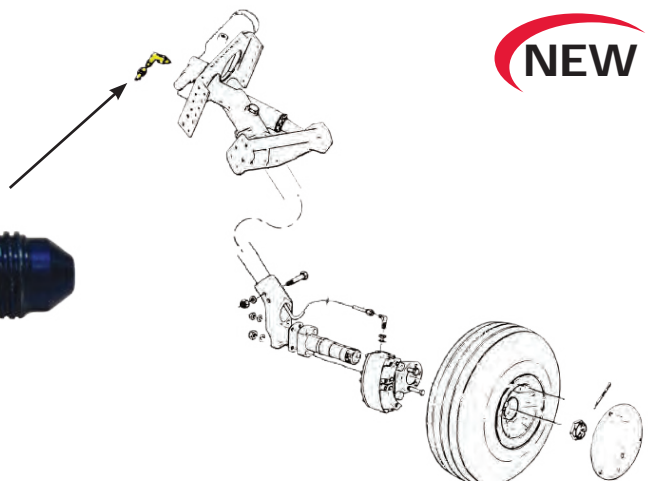
McFarlane U-Bolts are manufactured from higher strength 4340 Crankshaft Steel that has been re-melted under vacuum to remove imperfections in the steel. The threads are roll formed, which strengthens the threads by perfecting the grain structure of the metal that drastically improves fatigue resistance. The "J" style rolled threads are formed with a radius in the bottom of the thread "V" that spreads out the stress loading. McFarlane furnishes new nuts that are designed to work effectively with the "J" thread design. The McFarlane U-Bolts are then carefully heat treated and tempered for perfection in strength and fatigue resistance. Our FAA approved Instructions for Continuous Airworthiness (ICA) conservatively recommend 1200 hours between U-Bolt replacements.

Retractable Gear Brake Swivel for Cessna Aircraft

Replace your leaking Brake Swivel Assembly

- FAA-PMA approved P/N MC1280111-1
- Save up to 25%
- In stock, readily available!

*Each assembly
undergoes pressure
and motion testing!*



NEW

Aircraft
172RG
177RG, FR177RG
FR182, R182, TR182
210, 210A,B,C,D,E,F,G,H,J,K,L,M,N,R
P210N,R
T210F,G,H,J,K,L,M,N,R

FAA-PMA Approved

Brake and Wheel Parts

Wheel Bearings Cups and Cones

FAA-PMA approved Timken wheel bearings for Goodyear, Cleveland, and McCauley wheels.

- Class 2 aviation grade bearings (Timken designates these with a -20629 suffix)
- When landing the wheel bearings must go from Zero RPM to 1384 RPM, or more, instantaneously. Automotive bearings aren't designed for this type of service
- Tighter tolerance and higher quality control than Class 4 automotive bearings
- Save \$\$\$



Don't be tempted to buy cheap automotive bearings

Because Timken uses the same part number for both the automotive and aviation versions of these bearings, many people mistakenly use the lower quality automotive bearings in their airplane. It is critical that the FAA-PMA Class 2 version be used for aircraft applications for two reasons:

- They are a higher class of bearing with tighter tolerance and have been subjected to more stringent quality control procedures. Due to the smaller diameter of aircraft wheels, at a given ground speed the bearings rotate at a much higher RPM and require the tighter tolerances to prevent premature failure. Example: At a 70 mph touchdown speed (equivalent to highway speed of a car), a typical 17 inch diameter airplane tire is rotating at 1384 RPM, whereas a typical 27 inch car tire is only rotating at 871 RPM. So even though the aircraft bearing is only subject to intermittent use, some of the performance demands are much higher than a typical automotive application.
- It is a violation of FAA regulations to use non-approved automotive bearings on certified aircraft.

See the table on the next page to find the correct bearing for your wheels.

Wheel Grease Seal Kits

Finally a low cost alternative! FAA-PMA approved for Cessna aircraft with Cleveland, and McCauley wheels.

Convenient Kits now available

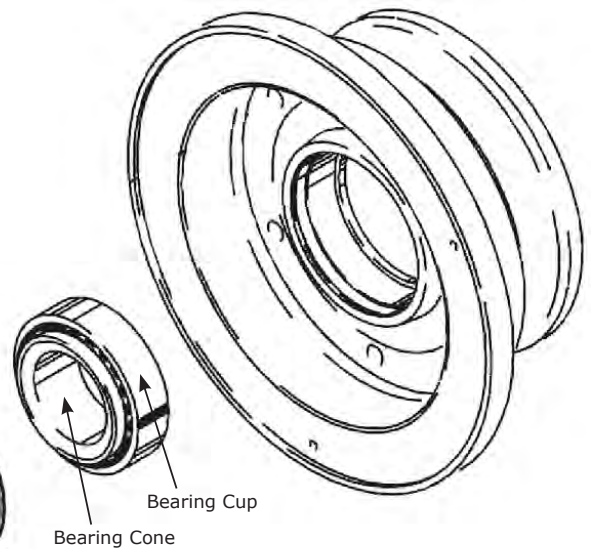
- Each kit contains everything required to service one wheel: grease seal rings, plates, snap rings and felts; even screws and washers when required
- We have done the research so you don't have to!
- Hard to find parts in stock
- Save \$\$\$



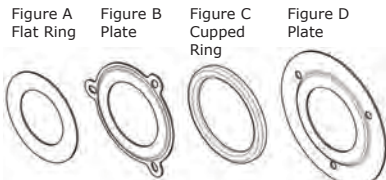
Not sure what wheel you have?

Go to www.mcfarlaneaviation.com/wheel-seals to find the original equipment wheels for your aircraft and its eligibility.

See the table on the next page to find the correct kit and components for your wheel.



Approval for Piper and Beechcraft coming soon!



Hard to find grease seal rings and plates!

Grease Seal Rings and Plates				
Part Number	ID	OD	Thickness	Figure
MC153-00300	1-33/64	2-1/2	0.034	A
MC153-00400	1-45/64	2-5/8	1/32	A
153-00500	1-3/4	2-3/4	5/32	B
MC153-00800	1-53/64	2-23/64	1/32	A
MC153-01000	2-1/16	2-3/4	1/8	B
MC153-01500	2-1/16	2-5/8	13/64	C
MC153-30013	1-11/16	2-39/64	1/32	A
153-30014	2-1/16	2-5/8	11/64	C
MC153-30015	1-17/32	2-35/64	1/32	A
MC156-00100	1-3/4	3-22/32	1/8	D

Grease Seal Felt			
Part Number	ID	OD	Thickness
154-01400	1-3/4	2-5/8	1/8
MC154-00300	1-5/8	2-5/8	1/8
MC154-00600	1-3/4	2-13/32	1/8
MC154-00900	2-1/8	2-7/16	1/8
MC154-01300	2-1/8	2-1/2	3/16
MC154-30010	2-1/8	2-17/32	1/8
Snap Ring			
MC155-00100	9/64	2-3/4	1/32
MC155-00200	9/64	2-1/2	0.025
MC155-11800	5/32	2-1/2	1/32
MC155-11900	5/32	2-3/4	1/32

Bearing Cups			Bearing Cones		
P/N	OD	Width	P/N	Bore	Inner Ring Width
07196-20629	1.9687	0.3750	07100-20629	1.0000	0.5614
07204-20629	2.0470	0.5000	08118-20629	1.1875	0.5937
08231-20629	2.3125	0.4219	08125-20629	1.2500	0.5937
13830-20629	2.5000	0.3750	13889-20629	1.5000	0.4688
13836-20629	2.5625	0.3750	18200-20629	2.0000	0.7190
18337-20629	3.3750	0.5000	19150-20629	1.5000	0.6504
19268-20629	2.6250	0.4688	39250-20629	2.5000	0.8661
39412-20629	4.1250	0.6250	A4050-20629	0.5000	0.4326
A4138-20629	1.3775	0.3437	L217849-20629	3.5000	0.5938
L217813-20629	5.0000	0.7500	LL217849-20629	3.5000	0.5938
LL217810-20629	4.7812	0.4375	LM29710-20629	1.5000	0.7200
LM29710-20629	2.5625	0.5500	LM67048-20629	1.2500	0.6600
LM67010-20629	2.3280	0.4650	LM501349-20629	41.275	0.7800
LM501310-20629	73.431	0.5800			

OD measurement does not include mounting tabs

Dimensions are approximate and for identification only. All dimensions are in inches.

Visit mcfarlaneaviation.com for aircraft eligibility



Wheel to Seal Kit and Bearing Cross Reference

Wheel Manufacturer	Wheel Manufacturer P/N	Cessna Wheel P/N	Wheel Seal Kit P/N	Bearing Cone P/N	Bearing Cup P/N
CLEVELAND	040-07502	C163001-0301	WH-KT-2	13889	13836
CLEVELAND	40-101	C163001-0601	WH-KT-22	LM29749	LM29710
CLEVELAND	40-101A		WH-KT-22	LM29749	LM29710
CLEVELAND	40-113	C163001-0104	WH-KT-2	13889	13836
CLEVELAND	40-12	0441179-2	WH-KT-15	08125	08231
CLEVELAND	40-135A	9910393-2, 9910393-6	WH-KT-28	LM29749 and 07100	LM29710 and 07204
CLEVELAND	40-138A		WH-KT-17	LM29749 and 07100	LM29710 and 07204
CLEVELAND	40-140A	9910194-8	WH-KT-39	13889	13836
CLEVELAND	40-142	C163001-0701	WH-KT-2	13889	13836
CLEVELAND	40-177A	C163001-0901	WH-KT-42	13889	13836
CLEVELAND	40-179	040-17900	WH-KT-42	LM29749	LM29710
CLEVELAND	40-18	0441179-14	WH-KT-34	08125	08231
CLEVELAND	40-19	0441156-13	WH-KT-15	08125	08231
CLEVELAND	40-20	0441156-14	WH-KT-34	08125	08231
CLEVELAND	40-21	0441156-15	WH-KT-11	13889	13836
CLEVELAND	40-32	0741026-3	WH-KT-8	13889	13836
CLEVELAND	40-35	0743001-4	WH-KT-34	08125	08231
CLEVELAND	40-40A	5041016-3	WH-KT-28	LM29749 and 07100	LM29710 and 07196
CLEVELAND	40-40D	5041016-5	WH-KT-28	LM29749 and 07100	LM29710 and 07204
CLEVELAND	40-55	0441156-16	WH-KT-38	13889	13836
CLEVELAND	40-57	0441156-17	WH-KT-8	13889	13836
CLEVELAND	40-57A		WH-KT-11		
CLEVELAND	40-66	0441156-18	WH-KT-8	13889	13836
CLEVELAND	40-67	0441156-19	WH-KT-11	13889	13836
CLEVELAND	40-68	0441156-20	WH-KT-34	08125	08231
CLEVELAND	40-73	1241156-11	WH-KT-39		
CLEVELAND	40-75	1241156-10	WH-KT-2	13889	13836
CLEVELAND	40-75B	040-07502, 1241156-10, C163001-0301	WH-KT-2	13889	13836
CLEVELAND	40-75D	C163001-0302	WH-KT-2	13889	13836
CLEVELAND	40-75T	040-07518-1	WH-KT-2	13889	13836
CLEVELAND	40-76	1241156-11	WH-KT-39	13889	13836
CLEVELAND	40-76A	1241156-11, 1241156-43	WH-KT-39	13889	13836
CLEVELAND	40-76B	0441156-16	WH-KT-42	13889	13836
CLEVELAND	40-77	1241156-12, 0441156-14, 0441156-20, 0441179-14, 0743001-4	WH-KT-34	08125	08231
CLEVELAND	40-78	1241156-13	WH-KT-34	08125	08231
CLEVELAND	40-79	1241156-14	WH-KT-2	13889	13836
CLEVELAND	40-79A	1241156-14	WH-KT-2	13889	13836
CLEVELAND	40-96E	C163001-0401	WH-KT-2	13889	13836
CLEVELAND	40-97	C163001-0102	WH-KT-2	13889	13836
CLEVELAND	40-97A	C163001-0102, C163001-0103	WH-KT-2	13889	13836
CLEVELAND	40-98A	C163001-0501	WH-KT-2	13889	13836
CLEVELAND	40-98H	C163001-0801	WH-KT-2	13889	13836
CLEVELAND	40-127, 40-137, 40-174			18200	18337
CLEVELAND	40-211, 40-279, 40-279A			39250	39412
GOODYEAR	9532522	0541183-9		13889	13830
GOODYEAR	9532673	0541160-13		13889	13830
GOODYEAR	511960S	0441101-1		13889	13830
GOODYEAR	95-3472	0441016-1		13889	13830
MCCAULEY	D30480	C163003-0401	WH-KT-35	LM67048	LM67010
MCCAULEY	D30065	C163002-0101		LM29749	LM29710
MCCAULEY	D30256	C163003-0101		LM29749	LM29710
MCCAULEY	D30291-1	C163004-0101	WH-KT-5	LM29749	LM29710
MCCAULEY	D30291-2	C163004-0102	WH-KT-5	LM29749	LM29710
MCCAULEY	D30291-3	C163004-0103	WH-KT-5	LM29749	LM29710
MCCAULEY	D30291-6	C163004-0104	WH-KT-5	LM29749	LM29710
MCCAULEY	D30500	C163002-0201, C163003-0201, C163005-0201	WH-KT-35	LM67048	LM67010
MCCAULEY	D30580	C163003-0102	WH-KT-5	LM29749	LM29710
MCCAULEY	D30660-1	C163002-0101, C163003-0101, C163005-0101, C163006-0101	WH-KT-5	LM29749	LM29710
MCCAULEY	D30660-2	C163006-0102	WH-KT-5	LM29749	LM29710
MCCAULEY	D30660-3	C163006-0103	WH-KT-5	LM29749	LM29710
MCCAULEY	D30665	9910194-1, C163002-0301, C163003-0301, C163003-0302, C163006-0201	WH-KT-47	LM29749	LM29710
		95-3472		13889	13830
		3244		A4050	A4138
		0441150-6, 0441150-7		LL217849	LL217810
GOODYEAR		0441150-8, 0441150-9, 0541116-2, 0541116-3		LL217849	LL217810

Wheel Seal Kits

Kit P/N	Qty	Part Number	Description
WH-KT-2	1	MC154-00300	Felt, Grease Seal
	1	MC154-01300	Felt, Grease Seal
	1	MC153-00300	Ring Grease Seal, Flat
	2	MC153-00400	Ring Grease Seal, Flat
WH-KT-5	1	MC153-01500	Ring Grease Seal, Cupped
	2	MC155-00100	Ring, Snap
	1	MC154-00300	Felt, Grease Seal
	1	MC154-30010	Felt, Grease Seal
WH-KT-8	1	MC153-30013	Ring Grease Seal, Flat
	1	153-30014	Ring Grease Seal, Cupped
	1	MC153-30015	Ring Grease Seal, Flat
	2	MC155-11900	Ring, Snap
WH-KT-11	1	154-00400	Felt, Grease Seal
	1	153-00500	Plate, Grease Seal
	1	MC156-00100	Plate, Grease Seal
	6	MS35265-45	Screw, Drilled
	6	MS35333-38	Lock Washer
	1	154-00400	Felt, Grease Seal
WH-KT-15	1	MC154-00900	Felt, Grease Seal
	1	MC153-00300	Ring Grease Seal, Flat
	1	153-00500	Plate, Grease Seal
	1	MC153-01000	Plate, Grease Seal
	1	MC156-00100	Plate, Grease Seal
	6	MS35265-45	Screw, Drilled
WH-KT-17	2	MC153-00800	Ring Grease Seal, Flat
	2	MC155-00200	Ring, Snap
WH-KT-22	1	154-00800	Felt, Grease Seal
	2	153-00900	Ring Grease Seal, Flat
	1	MC155-00100	Ring, Snap
	1	155-00600	Ring, Snap
WH-KT-28	1	154-01400	Felt, Grease Seal
	2	153-00900	Ring Grease Seal, Flat
WH-KT-34	2	MC155-00200	Ring, Snap
	1	154-03000	Molded Seal
	1	MC155-00100	Ring, Snap
	1	155-00600	Ring, Snap
WH-KT-35	2	MC154-00600	Felt, Grease Seal
	4	MC153-00800	Ring Grease Seal, Flat
	2	MC155-00200	Ring, Snap
	4	MC153-00800	Ring Grease Seal, Flat
WH-KT-38	2	MC155-11800	Ring, Snap
	2	MC154-00900	Felt, Grease Seal
	2	MC153-00300	Grease Seal Plate
	2	MC153-01000	Plate, Grease Seal
	6	MS35265-45	Screw, Drilled
	6	MS35333-38	Lock Washer
WH-KT-39	2	MC154-01300	Felt, Grease Seal
	2	MC153-00300	Ring Grease Seal, Flat
	2	MC153-01500	Ring Grease Seal, Cupped
	2	MC155-00100	Ring, Snap
WH-KT-42	2	154-03000	Molded Seal
	2	MC155-00100	Ring, Snap
WH-KT-47	2	MC154-30010	Felt, Grease Seal
	2	153-30014	Ring Grease Seal, Cupped
	2	MC153-30015	Ring Grease Seal, Flat
	2	MC155-11900	Ring, Snap

Brake and Wheel Parts

FAA-PMA Piper Wheel Felt grease seals, retainer plates, and retainers will be available this year!

Please check our website for progress on these items.

Note:
For FAA-PMA approved aircraft model eligibility, see www.mcfarlaneaviation.com.
■ Cone P/N LM29749 and Cup P/N LM29710 are used on the outboard of the wheel and Cone P/N 07100 and Cup P/N 07196 or P/N 07204 are used on the inboard of the wheel.

APS BlackSteel® Brake Discs and Linings

Improved braking performance with superior rust pit resistance

APS is a leading manufacturer of FAA-PMA replacement brake components. Their proprietary **BlackSteel** brake discs and linings are designed to provide optimal braking performance and strength with longer service life.

Installation Tip:

One of the most important factors in disc and lining performance and safety margins is proper break-in.

For break-in procedures go to:

www.mcfarlaneaviation.com/pdfDocuments/APSBreak-InProcedures.pdf



**A Truly Superior Product!
Don't Buy Yesterday's Technology!**

APS BlackSteel® Brake Discs

State-of-the-art CNC machined from a one-piece forging

The high quality APS **BlackSteel** brake discs are CNC machined from one piece forgings, eliminating weld failures. When the metal is forged, it creates a directional grain flow that follows the contour of the disc. This allows for a much stronger disc that has a reduced risk of the cracking, distortion and catastrophic failures associated with inferior welded designs.

Proprietary heat treatment provides strength and corrosion resistance

BlackSteel discs are put through a proprietary heat treating process that strengthens the steel by bonding the carbon, oxygen, and nitrogen in the top layer of the metal. The process is not a coating, but a transformation of the top layer of the metal, providing corrosion resistance. The heat treatment gives the steel its black appearance and provides the surface with a high resistance to the corrosion and oxidation associated with the extreme thermal cycling experienced in aircraft braking systems. This makes it an excellent choice for agricultural aircraft that work in a harsh, chemical environment, as well as for anyone who leaves their aircraft outside most of the time.

The reduction of corrosion, pitting, rusting and longer service life result in enhanced safety, durability and value, while providing optimum braking performance and strength. APS discs can be used with APS lining or other PMA or OEM lining.



P/N APS164-02706



P/N APS164-00300



P/N APS164-03006

APS Brake Linings

Superior stopping power

Two types of brake linings are available: semi-metallic/organic (abrasive) and metallic (adherent).

The part number of the brake assembly as determined by the OEM dictates which type of lining is to be used.

APS linings can be used with APS discs or other PMA or OEM discs.

Semi-Metallic Brake Linings

The semi-metallic linings are made with Kevlar fibers integrated into the material, providing the greatest stopping power and long lining life. The optimal operating temperature of the semi-metallic linings is 600-900 deg F.

Metallic Brake Linings

APS metallic brake linings are constructed from an innovative design and durable materials, providing longer wear and superior stopping power for greater safety. The main ingredient in the metallic linings is iron. In an adherent system, a thin layer of lining material transfers and adheres to the disc during break-in. The optimal operating temperature range of the metallic linings is 950-1200 deg F.



P/N APS66-10900



P/N APS66-10800



P/N APS66-10600



P/N APS66-02200



Top Lining
P/N APS66-04400
Bottom Lining

Improved in 2012 to Break-In Easier and Last Longer!

APS Lining Retaining Rivets and Pins

Lining retaining pins are used on various metallic brake linings and rivets are used on various organic brake linings. Retaining pins are sold individually and rivets are sold in packages of 25.

Rivets and Pins			
Part Number	Description	Head Diameter	Shank Diameter
APS105-00200	Rivet	5/16"	5/32"
APS105-06700	Rivet	5/16"	3/16"
APS177-00300	Pin	5/16"	5/32"
APS177-00400	Pin	5/16"	3/16"
APS177-01600	Pin	3/8"	3/16"



P/N APS105-00200



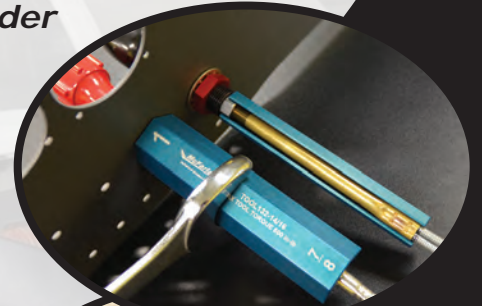
P/N APS177-00300

See the following pages for use eligibility

McFarlane®

Always have the right tools for the job
Helping you work smarter, not harder

- Push-Pull Control Wrench Set
- Pin Punch Set with Replaceable Tips
- Adjustable Elevator Neutral Rigging Tool
- Vacuum Pump Wrench
- Tire Balancer and Propeller Balancing Bushing Kit
- Exhaust Valve Guide Reamers
- Flap Track Wear Gauge for Cessna Aircraft
- Flap Roller Installation Tool
- Seat Roller Housing Gauge for Cessna Aircraft



To learn more, visit:

www.McFarlaneAviation.com/products/category/tools/

See pages 340-355 for details





McFarlane

More than PMA
Capabilities to support OEM requirements.

- Custom Door Cables
- Custom Push-Pull Controls
- Custom Flight Control Cables
- Delivering innovative solutions and phenomenal support at a fraction of the cost of the OEM



We Make Custom Cables and Controls

McFarlane offers a variety of services

Saving you time and money!

Inspections, repairs, and assemblies are performed by experienced A&P mechanics

- Fuel Selector and Shut-Off Valve
- Trim Tab Actuators
- Shimmy Dampeners

Coming soon! Certified FAA Repair Station

- Expanding to a full line of Fuel Values and Actuators to serve our customers
- Machining and processing services available



1000 hr. Trim Actuator Service: \$495.00

See page 199 for details

McFarlane



Brake and Wheel Parts Brake Discs and Linings



Brake Disc, Lining and Rivet Eligibility for Aircraft with Original Wheel and Brake Assemblies
 Note: The wheel and brake assemblies on many aircraft have been changed. Verify the wheel and brake assembly part numbers on your aircraft to ensure proper selection.
 See the table on pages 239-240 for eligibility for aircraft with conversion kits installed.

Aircraft Model	Serial Number	Wheel Assy P/N	Brake Assy P/N	Brake Disc P/N	Lining P/N	Linings per Wheel	Rivet or Pin P/N
Aer Res							
J-2	All	40-78B	30-9	APS164-01700	APS66-10600	2	APS105-00200
Aerofab							
LA-250 (6-Place) Renegade	All	40-74B	30-51B	APS164-00700	APS66-10600	4	APS105-00200
LA-4	246 and up ²	40-113X	30-75X	APS164-04000	APS66-10500	2	APS105-00200
		40-74 or 40-74B	30-51 or 30-51B	APS164-00700	APS66-10600	4	APS105-00200
		40-74A	30-51	APS164-04700	APS66-10600	4	APS105-00200
Aerospatiale/Socata							
100,110,125,150,180 Series 110ST Calopin		40-97D	30-63J	APS164-02601	APS66-10500	2	APS105-00200
160ST Gamement, 180T Gairien, 180GT Gallaard	All	40-97D	30-63J	APS164-02601	APS66-10500	2	APS105-00200
220,236 Series, 235G Guerrier, 235GT Gabrier, 235CA Gaucho, TB20, 21 Trinidad	All	40-84	30-41B	APS164-01900	APS66-10600	4	APS105-00200
TB30 Epsilon	All	40-90B	30-23B	APS164-02201	APS66-06500	2	APS177-00300
TB9 Tampicp, TB10 Tobago, TB200	All	40-97E	30-63J	APS164-02601	APS66-10500	2	APS105-00200
Aero Commander							
112,112A	All	40-113A	30-79	APS164-04300	APS66-10500	2	APS105-00200
112B,112TC,112TCA,114, 114A,B	All	40-75H	30-52H	APS164-01501	APS66-10500	4	APS105-00200
Air Tractor							
AT-300,301,302	All	40-101	30-67X 30-89	APS164-03006	APS66-10800 APS66-10800	4 6	APS105-00200 APS105-00200
AT-400	All	40-133	30-98C	APS164-05806	APS66-10800	12	APS105-00200
AT-400A	All	40-101	30-67X 30-89	APS164-03006	APS66-10800 APS66-10800	4 6	APS105-00200 APS105-00200
AT-401,401A	All	40-234	30-184	APS164-05606	APS66-10800	8	APS105-00200
AT-402,501,502,503,503A	All	40-133	30-98C	APS164-05806	APS66-10800	12	APS105-00200
AT-602	All	40-403	30-231	APS164-22202	APS66-06600	12	APS177-00300
AT-802	All ²	40-279 40-279A	30-210 30-210A	APS164-23001 APS164-23002	APS66-13100 APS66-13100	16 16	APS105-06700 APS105-06700
Aircraft Designs							
Stallion		40-75B	30-52	APS164-01501	APS66-10500	4	APS105-00200
American Champion							
7ACA	All ²	40-28D 40-78B	30-19A 30-9	APS164-00500 APS164-01700	APS66-10600 APS66-10600	2 2	APS105-00200 APS105-00200
7ECA, 7GCAA, 7GCBC, 7KCAB	All	40-28D	30-19A	APS164-00500	APS66-10600	2	APS105-00200
8GCBC Scout	All	40-47	30-32B	APS164-01100	APS66-10600	4	APS105-00200
8KCAB	All	40-28D	30-19A	APS164-00500	APS66-10600	2	APS105-00200
T-250 Aries		40-75G	30-52S	APS164-01501	APS66-10500	4	APS105-00200
Arctic Aircraft							
S1B2 Arctic Tern	001 thru 1021 1022 and up	40-28 40-86B	30-18 30-55	APS164-00500 APS164-02000	APS66-10600 APS66-10500	2 2	APS105-00200 APS105-00200
ASTA GAF (Nomad)							
N22B, N22S	All	40-75T	30-52Q	APS164-08300	APS66-10500	4	APS105-00200
N24A	All ²	40-75T 40-143	30-52Q 30-129	APS164-08300 APS164-08200	APS66-10500 APS66-06200	4 4	APS105-00200 APS177-00300
Avions Pierre Robin							
140, 160	All	40-97D	30-52T	APS164-03601	APS66-10500	4	APS105-00200
DR400 Series	All	40-97D	30-63E	APS164-02601	APS66-10500	2	APS105-00200
HR100	All ²	40-97D	30-63D or 30-63E 30-52N	APS164-02601 APS164-03601	APS66-10500 APS66-10500	2 4	APS105-00200 APS105-00200
HR120	All	40-97D	30-63D or 30-63E	APS164-02601	APS66-10500	2	APS105-00200
HR200	All ²	40-97D	30-63D or 30-63E 30-52N	APS164-02601 APS164-03601	APS66-10500 APS66-10500	2 4	APS105-00200 APS105-00200
HR210	All	40-97D	30-52N	APS164-03601	APS66-10500	4	APS105-00200
HR400 Series	All	40-97D	30-52T	N/A	APS66-10500	4	APS105-00200
R1000, R2000, R3000 Series	All	40-97D	30-63E	N/A	APS66-10500	2	APS105-00200
R2160	All	40-97A	30-63E	APS164-02601	APS66-10500	2	APS105-00200
Ayres							
S2R-PZL600 Thrush	R35-001 and up 1939 thru 2529R	40-133 40-129	30-98D 30-94	APS164-05806 APS164-05606	APS66-10800 APS66-10800	12 8	APS105-00200 APS105-00200
S2R-600 Thrush	2530R and up	40-133	30-98D	APS164-05806	APS66-10800	12	APS105-00200
S2R-711 Turbo Thrush	T11-001 and up	40-133	30-98D	APS164-05806	APS66-10800	12	APS105-00200
S2R-800 Thrush	5000R thru 5082R 5083R and up	40-129 40-133	30-94 30-98	APS164-05806	APS66-10800 APS66-10800	8 12	APS105-00200 APS105-00200
S2RHG-T65 Turbo Thrush	All	40-133	30-98D	APS164-05806	APS66-10800	12	APS105-00200
S2R-R1340, S2R-R1820, S2R-R3S	All	40-133	30-98D	APS164-05806	APS66-10800	12	APS105-00200
S2R-T15 Turbo Thrush	All	40-133	30-98	APS164-05806	APS66-10800	12	APS105-00200
S2R-T34 Turbo Thrush	6000 and up	40-133	30-98D	APS164-05806	APS66-10800	12	APS105-00200
S2R-T41 Turbo Thrush	T41-089 and 090	40-133	30-98D	APS164-05806	APS66-10800	12	APS105-00200
S2R-T65 Turbo Thrush	All	40-133	30-98D	APS164-05806	APS66-10800	12	APS105-00200
Beechcraft							
M19A, B19 ¹ A23, A23A, A23-19, A23-24 B23, C23 ¹ A24R, B24R, C24R ¹	MB-461 thru MB-865 All M-1095 thru M-1979 MC-22 thru MC-536	40-113C	30-75B or 30-79A	APS164-04300	APS66-10500	2	APS105-00200
33, A33	All	40-1	30-1	APS164-00900	APS66-11100	2	APS105-00200
B33 ¹	CD-388 thru CD-639	40-37	30-24	APS164-00700	APS66-10600	4	APS105-00200
F33A ¹	CE-301 thru CE-634 CE635 thru CE-1071	40-83 40-83A	30-54 30-54C	APS164-02505 APS164-02505	APS66-10500 APS66-10500	4 4	APS105-00200 APS105-00200
F33C ¹	CJ-125 thru CJ-155	40-83A	30-54C	APS164-02505	APS66-10500	4	APS105-00200
G33 ¹	CD-1272 thru CD-1304	40-83	30-54	APS164-02504	APS66-10500	4	APS105-00200
V35B ¹	D-9862 thru D-10403	40-83	30-54A	APS164-02504	APS66-10500	4	APS105-00200
36, A36 ¹	E-1 thru E-824	40-83	30-54	APS164-02505	APS66-10500	4	APS105-00200
A36 ¹	E-825 thru E-3635	40-83A	30-54,54A,or 54C	APS164-02505	APS66-10500	4	APS105-00200

¹ Partial model eligibility
² Must verify wheel or brake assembly P/N

Eligibility continued on next page.



Brake and Wheel Parts

Continued from previous page

Aircraft Model	Serial Number	Wheel Assy P/N	Brake Assy P/N	Brake Disc P/N	Lining P/N	Linings per Wheel	Rivet or Pin P/N	
A36TC, B36TC	EA-1 thru EA-695	40-83A or 40-83B	30-54A or 30-54C	APS164-02505	APS66-10500	4	APS105-00200	
B55	All	40-128D	30-93B	APS164-06106	APS66-09700	6	APS177-00300	
	TC-2092 thru TC-2180 TC-2181 thru TC-2456	40-128 40-98G	30-93B 30-66G	APS164-06106 APS164-02706	APS66-04400 APS66-09700	6 4	APS177-00300 APS177-00300	
C55, D55	All	40-98	30-66	APS164-02706	APS66-04400	4	APS177-00300	
	All	40-128D	30-93C	APS164-06106	APS66-09700	6	APS177-00300	
E55	TE-768 thru TE-1142	40-98	30-66	APS164-02706	APS66-04400	4	APS177-00300	
	TE-1143 thru TE-1201	40-98 40-98G	30-66 30-66G	APS164-02706 APS164-09700	APS66-04400 APS66-09700	4 4	APS177-00300 APS177-00300	
		All	40-98	30-69A	APS164-02706	APS66-02200	4	APS177-00300
56TC, A56TC	All	40-128D	30-93C	APS164-06106	APS66-09700	6	APS177-00300	
	TH-1 thru TH-972	40-98	30-66	APS164-02706	APS66-04400	4	APS177-00300	
58	TH-973 thru TH-2124	40-98	30-66	APS164-02706	APS66-04400	4	APS177-00300	
	All	40-98G	30-66G	APS164-02706	APS66-09700	4	APS177-00300	
58P	TJ-436 thru TJ-497	40-171	30-145	APS164-20806	APS66-09700	6	APS177-00300	
B60	All	40-171	30-145	APS164-20806	APS66-09700	6	APS177-00300	
76	All	40-83	30-54B	APS164-02504	APS66-10500	4	APS105-00200	
Bellanca								
17-30A, 17-31A, 17-31ATC	All	40-75E	30-52M	APS164-01501	APS66-10500	4	APS105-00200	
DW-1	All	40-101	30-89A	APS164-03006	APS66-10800	6	APS105-00200	
Burkhart Grob								
G103, G103C Twin II Sailplane	All	40-97A	30-63A	APS164-02601	APS66-10500	2	APS105-00200	
G109 Series Power Glider	All	40-78B	30-9	APS164-01700	APS66-10600	2	APS105-00200	
Cessna								
120, 140, 140A	All	40-97A	30-63A	APS164-02601	APS66-10500	2	APS105-00200	
150A, B	15059119 thru 15059700	40-12	30-9	APS164-00400	APS66-10600	2	APS105-00200	
150C	All	40-57	30-40	APS164-00400	APS66-10600	2	APS105-00200	
150D, E	All	40-79A	30-40	APS164-01600	APS66-10600	2	APS105-00200	
150F, G	All	40-97	30-63	APS164-02601	APS66-10500	2	APS105-00200	
150H, J, K	All	40-97A	30-63A	APS164-02601	APS66-10500	2	APS105-00200	
	15072004 thru 15074850	D-30063 40-113	C-30018 30-75	N/A APS164-04000	APS66-10900 APS66-10500	2 2	APS105-00200 APS105-00200	
150L, M	15074851 thru 15077403	40-113	30-75	APS164-04000	APS66-10500	2	APS105-00200	
	15077380, 15077402, 15077404 thru 15079113	40-113 D30291-6	30-75 C30018 or C30018-4	APS164-04000 APS164-30440	APS66-10500 APS66-10900	2 2	APS105-00200 APS105-00200	
	All	40-97A	30-63A	APS164-02601	APS66-10500	2	APS105-00200	
A150K	All	40-97A	30-63A	APS164-02601	APS66-10500	2	APS105-00200	
A150L, M	A1500227 thru A1500429	D-30063 40-113	C-30018 30-75	N/A APS164-04000	APS66-10900 APS66-10500	2 2	APS105-00200 APS105-00200	
	A1500430 thru A15000641	40-113	30-75	APS164-04000	APS66-10500	2	APS105-00200	
A150M	A15000642 thru A1500717	40-113 D30291-6	30-75 C30018 or C30018-4	APS164-04000 APS164-30440	APS66-10500 APS66-10900	2 2	APS105-00200 APS105-00200	
F150F, G	All	40-97	30-63	APS164-02601	APS66-10500	2	APS105-00200	
F150H, J	All	40-97A	30-63A	APS164-02601	APS66-10500	2	APS105-00200	
F150K, L, M	F1500530 thru F15001332	40-113	30-75	APS164-04000	APS66-10500	2	APS105-00200	
F150M	F15001333 thru F15001418	40-113 D30291-6	30-75 C30018-4	APS164-04000 APS164-30440	APS66-10500 APS66-10900	2 2	APS105-00200 APS105-00200	
FA150K, L	All	40-113	30-75	APS164-04000	APS66-10500	2	APS105-00200	
FRA150L	All	40-113	30-75	APS164-04000	APS66-10500	2	APS105-00200	
152	All	40-113 D30063	30-75 C-30018	APS164-04000 N/A	APS66-10500 APS66-10900	2 2	APS105-00200 APS105-00200	
A152, F152	All	40-113	30-75	APS164-04000	APS66-10500	2	APS105-00200	
FA152	All	40-113	30-75	APS164-04000	APS66-10500	2	APS105-00200	
		D-30660-1	C-30018-5	APS164-30615-4	APS66-10900	2	APS105-00200	
		D-30600-1	C-30018-5	N/A	APS66-10900	2	APS105-00200	
		D-30580	C-30018-4	APS164-30195	APS66-10900	2	APS105-00200	
172, 172A, B, C	17246421 thru 17249544	40-113	30-75	APS164-04000	APS66-10900	2	APS105-00200	
172D, E, F, G, H, I, K	All	40-97A	30-56, 30-63, 30-63A	APS164-02601	APS66-10500	2	APS105-00200	
172L, M	17259224 thru 17263458	40-97A	30-56, 30-63,	APS164-02601	APS66-10500	2	APS105-00200	
		D-30063	C-30018-2	N/A	APS66-10900	2	APS105-00200	
172M, N, P, Q, R, S	17263459 and on	40-113	30-75A	APS164-04000	APS66-10500	2	APS105-00200	
		D-30660-1	C-30018-6, C-30764-5	APS164-30615-4	APS66-10900	2	APS105-00200	
F172F, G, H	All	40-97A	30-56, 30-63A	APS164-02601	APS66-10500	2	APS105-00200	
F172K	All	40-113	30-75A	APS164-04000	APS66-10500	2	APS105-00200	
F172L	F17200805 thru F17200904	40-113	30-75A	APS164-04000	APS66-10500	2	APS105-00200	
F172M	F17200905 thru F17201514	40-113	30-75A	APS164-04000	APS66-10500	2	APS105-00200	
		D-30260, D30580	C-30018-2	APS164-30195	APS66-10900	2	APS105-00200	
F172N	F17201515 thru F17201639	D-30600-1	C-30018-6	N/A	APS66-10900	2	APS105-00200	
		40-113	30-75A	APS164-04000	APS66-10500	2	APS105-00200	
F172N, P	F17201640 thru F17202254	D-30660-1	C-30018-6, C30764-6	APS164-30615-4	APS66-10900	2	APS105-00200	
		40-113	30-75A	APS164-04000	APS66-10500	2	APS105-00200	
F172RG	All	40-113	30-75	APS164-04000	APS66-10500	2	APS105-00200	
FR172J	FR17200351 thru FR17200590	D-30260	C-30018-2	APS164-30195	APS66-10900	2	APS105-00200	
FR172K	FR17200591 thru FR17200620 FR17200621 thru FR17200675	D-30600-1	C-30018-6	N/A	APS66-10900	2	APS105-00200	
		D-30660-1	C-30018-6, C30764-6	APS164-30615-4	APS66-10900	2	APS105-00200	
R172H	R1720453 thru R1720603	D-30063	C-30018-2	N/A	APS66-10900	2	APS105-00200	
175, A, B	17555876 thru 17557119	40-97A	30-63A	APS164-02601	APS66-10500	2	APS105-00200	
177A, B	17701165 thru 17701530	40-97A	30-63A	APS164-02601	APS66-10500	2	APS105-00200	
177B	17701531 thru 17702123	40-113	30-45	APS164-04000	APS66-10500	2	APS105-00200	
		40-113	30-45	APS164-04000	APS66-10500	2	APS105-00200	
		17702124 thru 17702313	D-30580	C-30018-4	APS164-30195	APS66-10900	2	APS105-00200
		17702314 thru 17702522	40-113	30-45	APS164-04000	APS66-10500	2	APS105-00200
		17702523 thru 17702672	D-30291-6	C-30018-4	APS164-30440	APS66-10900	2	APS105-00200
177B	17702673 thru 17702752	40-113	30-45	APS164-04000	APS66-10500	2	APS105-00200	
		D-30660-1	C-30018-5	N/A	APS66-10900	2	APS105-00200	
177B	17702673 thru 17702752	40-113	30-45	APS164-04000	APS66-10500	2	APS105-00200	
		D-30660-1	C-30018-5	N/A	APS66-10900	2	APS105-00200	

1 Partial model eligibility
2 Must verify wheel or brake assembly P/N
 Eligibility continued on next page.



Brake and Wheel Parts Brake Discs and Linings



FAA-PMA Approved

Continued from previous page

Aircraft Model Cessna	Serial Number	Wheel Assy P/N	Brake Assy P/N	Brake Disc P/N	Lining P/N	Linings per Wheel	Rivet or Pin P/N	
177RG	177RG0001 thru 177RG0592	40-113	30-75	APS164-04000	APS66-10500	2	APS105-00200	
	177RG0593 thru 177RG0787 ²	40-113	30-75	APS164-04000	APS66-10500	2	APS105-00200	
		D-30580	C-30018-4	APS164-30195	APS66-10900	2	APS105-00200	
	177RG0788 thru 177RG1051 ²	40-113	30-75	APS164-04000	APS66-10500	2	APS105-00200	
		D-30291-6	C-30018-4	APS164-30440	APS66-10900	2	APS105-00200	
177RG	177RG1052 thru 177RG1266 ²	40-113	30-75	APS164-04000	APS66-10500	2	APS105-00200	
		D-30660-1	C-30018-5	N/A	APS66-10900	2	APS105-00200	
	177RG1267 thru 177RG1366 ²	40-113	30-75	APS164-04000	APS66-10500	2	APS105-00200	
		D-30660-1	N/A	APS164-30615-4	APS66-10900	2	APS105-00200	
		40-113	30-75	APS164-04000	APS66-10500	2	APS105-00200	
F177RG	F177RG0001 thru F177RG0122 ²	40-113	30-75	APS164-04000	APS66-10500	2	APS105-00200	
	F177RG0123 thru F177RG0138 ²	40-113	30-75	APS164-04000	APS66-10500	2	APS105-00200	
		D-30580	C-30018-4	APS164-30195	APS66-10900	2	APS105-00200	
	F177RG0139 thru F177RG0160 ²	40-113	30-75	APS164-04000	APS66-10500	2	APS105-00200	
		D-30291-6	C-30018-4	APS164-30440	APS66-10900	2	APS105-00200	
F177RG	F177RG0161 thru F177RG0177 ²	40-113	30-75	APS164-04000	APS66-10500	2	APS105-00200	
		D-30660-1	C-30018-5	N/A	APS66-10900	2	APS105-00200	
180G	All	40-75B	30-52	APS164-01501	APS66-10500	4	APS105-00200	
180H ¹	18051775 thru 18051993	40-66	30-21	APS164-00700	APS66-10600	4	APS105-00200	
	18052011 thru 18052284	40-75D	30-52D, 30-52N	APS164-03601	APS66-10500	4	APS105-00200	
180J ¹	18052285 thru 18052500 ²	D-30063-1	C-30018-1	N/A	APS66-10900	2	APS105-00200	
		D30291-3	C30118-4	APS164-30414	APS66-10900	2	APS105-00200	
		40-75B	30-52D	APS164-01501	APS66-10500	2	APS105-00200	
		40-75D	30-52N	APS164-03601	APS66-10500	2	APS105-00200	
		40-75B	30-52D	APS164-01501	APS66-10500	2	APS105-00200	
180J ¹ ,K ¹	18052501 thru 18052924 ²	40-75D	30-52N	APS164-03601	APS66-10500	2	APS105-00200	
		D30291-3	C30118-4	APS164-30414	APS66-10900	2	APS105-00200	
		40-75B	30-52D	APS164-01501	APS66-10500	2	APS105-00200	
		40-75D	30-52N	APS164-03601	APS66-10500	2	APS105-00200	
180K ¹	18052925 thru 18053203 ²	D30660-2	C30118-5	APS164-30615-2	APS66-10900	2	APS105-00200	
		40-97A	30-63A, 30-56A	APS164-02601	APS66-10500	2	APS105-00200	
		40-113	30-75	APS164-04000	APS66-10500	2	APS105-00200	
182B ¹ ,C,D,E,F,G,H,J,K,L,M,N ¹	18251886 thru 18260445	40-97A	30-63A, 30-56A	APS164-02601	APS66-10500	2	APS105-00200	
182N ¹	18260446 thru 18260825	40-113	30-75	APS164-04000	APS66-10500	2	APS105-00200	
182P ¹	18260826 thru 18264295	40-113	30-75	APS164-04000	APS66-10500	2	APS105-00200	
		D-30291-6	C-30018-4	APS164-30440	APS66-10900	2	APS105-00200	
		40-113	30-75	APS164-04000	APS66-10500	2	APS105-00200	
182Q ¹	18265176 thru 18265328 ²	D-30600-1	C-30018-5	N/A	APS66-10900	2	APS105-00200	
		40-113	30-75	APS164-04000	APS66-10500	2	APS105-00200	
		D-30600-1	C-30018-5	N/A	APS66-10900	2	APS105-00200	
		18265329 thru 18265965 ²	D-30600-1	C-30018-5	N/A	APS66-10900	2	APS105-00200
			D30660-1	C-30018-5	APS164-30615-4	APS66-10900	2	APS105-00200
182Q ¹	18265966 thru 18267715 ²	40-113	30-75	APS164-04000	APS66-10500	2	APS105-00200	
		D-30600-1	C-30018-5	APS164-30615-4	APS66-10900	2	APS105-00200	
182R ¹	18267716 thru 18268541	D30660-3	D30118-4	APS164-30615-3	APS66-10900	2	APS105-00200	
182S,T, T182T	All	40-75B	30-52E	APS164-01501	APS66-10500	4	APS105-00200	
F182P	All	D-30291-6	C-30018-4	APS164-30440	APS66-10900	2	APS105-00200	
F182Q ¹	F18200026 thru F18200064	D-30600-1	C-30018-5	N/A	APS66-10900	2	APS105-00200	
F182Q ¹	F18200065 thru F18200169	D-30660-1	C-30018-5	APS164-30615-4	APS66-10900	2	APS105-00200	
FR182, R182, TR182, T182	All	D-30660-3	D-30118-3	APS164-30615-3	APS66-10900	4	APS105-00200	
185, 185A	All	40-32	30-21	APS164-00700	APS66-10600	4	APS105-00200	
185B	All	40-66	30-21	APS164-00700	APS66-10600	4	APS105-00200	
185C,D,E	185-0654 thru 185-1149	40-75B	30-52	APS164-01501	APS66-10500	4	APS105-00200	
A185E ¹	185-1150 thru 18502090 ²	40-66	30-21	APS164-00700	APS66-10600	4	APS105-00200	
		40-75B	30-52	APS164-01501	APS66-10500	4	APS105-00200	
		40-75D	30-52D	APS164-03601	APS66-10500	4	APS105-00200	
		40-75B	30-52	APS164-01501	APS66-10500	4	APS105-00200	
A185F	All ²	40-75D	30-52D	APS164-03601	APS66-10500	4	APS105-00200	
		D-30291-3	D-30118-5	APS164-30414	APS66-10900	4	APS105-00200	
		D-30291-1	D-30118-5	APS164-30388	APS66-10900	4	APS105-00200	
		D-30660-2	D-30118-5	APS164-30615-2	APS66-10900	4	APS105-00200	
		40-75B	30-52B	APS164-01501	APS66-10500	4	APS105-00200	
188, 188A, 188B, A188, A188A	188-0001 thru 18801040 ²	40-101A	30-67	APS164-03106	APS66-10800	4	APS105-00200	
		40-101	30-67A	APS164-03006	APS66-10800	4	APS105-00200	
A188B ¹ , T188C	18801041 thru 18803521 ² 18801041T thru T18803521T ²	40-101A	30-67A	APS164-03106	APS66-10800	4	APS105-00200	
		40-98A	30-66A	APS164-02707	APS66-11000	4	APS105-00200	
		40-67	30-35	APS164-00700	APS66-10600	4	APS105-00200	
210-5 (205)	All	40-75B	30-52	APS164-01501	APS66-10500	4	APS105-00200	
210-5A (205A)	All	40-75B	30-52	APS164-01501	APS66-10500	4	APS105-00200	
206,U206,A,B,C,D ¹	206-0001 thru U206-1256	40-75B	30-52	APS164-01501	APS66-10500	4	APS105-00200	
U206D ¹ ,E	U2061257 thru U20601700 ²	40-75B	30-52	APS164-01501	APS66-10500	4	APS105-00200	
		40-75D	30-52N	APS164-03601	APS66-10500	4	APS105-00200	
U206F ¹	U20601701 thru U20602199 ²	40-75B	30-52	APS164-01501	APS66-10500	4	APS105-00200	
		40-75D	30-52N	APS164-03601	APS66-10500	4	APS105-00200	
		D-30291-1	D-30118-6	APS164-30388	APS66-10900	4	APS105-00200	
		40-75D	30-52N	APS164-03601	APS66-10500	4	APS105-00200	
U206F,G	U20602200 thru U20604649 ²	D-30291-1	D-30118-6	APS164-30388	APS66-10900	4	APS105-00200	
		D-30660-2	D-30118-6	APS164-30615-2	APS66-10900	4	APS105-00200	
		40-75D	30-52N	APS164-03601	APS66-10500	4	APS105-00200	
		D-30660-2	D-30118-6	APS164-30615-2	APS66-10900	4	APS105-00200	
		U20604650 thru U20607020 ²	D-30660-2	D-30118-6	APS164-30615-2	APS66-10900	4	APS105-00200
206H,T206H	All	D-30660-3	D-30118-4	APS164-30615-3	APS66-10900	4	APS105-00200	
P206, P206A,B,C,D ¹	P206-0001 thru P206-0566	40-75B	30-52	APS164-01501	APS66-10500	4	APS105-00200	
P206D,E ¹	P206-0557 thru P20600647	40-75D	30-52N	APS164-03601	APS66-10500	4	APS105-00200	
207, 207A, T207, T207A	All ²	40-75B	30-52F	APS164-01501	APS66-10500	4	APS105-00200	
		40-75D	30-52A	APS164-03601	APS66-10500	4	APS105-00200	
208, 208A,B	All	40-179	30-163 or 30-182	APS164-22201 ³	APS66-15300 ^{3,4}	8	APS177-00300 ⁴	

Brake and Wheel Parts

¹ Partial model eligibility
² Must verify wheel or brake assembly P/N
³ Aircraft with 30-182A calipers installed must use APS66-15300 linings. Aircraft with 30-182 calipers installed may use either APS66-03300 or APS66-15300 linings in complete sets. **Caution:** Never mix APS66-03300 linings on the same caliper as the APS66-15300's. APS66-15300 linings are .035" thicker than the APS66-03300's.
⁴ Complete Brake Kit P/N 208-BRK-KT-1 contains: brake discs, brake linings, pins, bleeder seat, bleeder needle, needle cap and O-ring.

Eligibility continued on next page.



Brake and Wheel Parts

Continued from previous page

Aircraft Model	Serial Number	Wheel Assy P/N	Brake Assy P/N	Brake Disc P/N	Lining P/N	Linings per Wheel	Rivet or Pin P/N
Cessna							
210C	21058086 thru 21058220	40-21	30-45	APS164-00900	APS66-11100	2	APS105-00200
210D,E,F,G,H,J,K,L ¹	21058221 thru 21060089 ²	40-75B	30-52 or 30-52V	APS164-01501	APS66-10500	4	APS105-00200
		D-30291-2	D-30118-4	APS164-30398	APS66-10900	4	APS105-00200
210L ¹ ,M,N,R	21060090 thru 21065009 ²	40-75B	30-52 or 30-52V	APS164-01501	APS66-10500	4	APS105-00200
		D-30291-2	D-30118-4	APS164-30398	APS66-10900	4	APS105-00200
		D-30660-3	D-30118-4	APS164-30615-3	APS66-10900	4	APS105-00200
P210N,R	All ²	40-75B	30-52V	APS164-01501	APS66-10500	4	APS105-00200
		40-142	30-127C	APS164-07800	APS66-06200	4	APS177-00300
T210F,G,H,J	All	40-75 or 40-75B	30-52	APS164-01501	APS66-10500	4	APS105-00200
303, T303	All ²	40-142	30-127C	APS164-07800	APS66-06200	4	APS177-00300
		40-98H	30-66F	APS164-08406	APS66-04400	4	APS177-00300
305	All ²	40-75F	30-52L	APS164-01501	APS66-10500	4	APS105-00200
		40-97E	30-63K	APS164-02601	APS66-10500	2	APS105-00200
310R ¹	310R0501 thru 310R2140 ²	40-40A	30-28B	APS164-00806	APS66-03300	6	APS177-00400
		40-40D	30-28B	APS164-20206	APS66-03300	6	APS177-00400
335	All	40-40A	30-28B	APS164-00806	APS66-03300	6	APS177-00400
336	3360001 thru 3360098 3360099 and up	40-67	30-35	APS164-00700	APS66-10600	4	APS105-00200
		40-75B	30-52	APS164-01501	APS66-10600	4	APS105-00200
337, 337A	All	40-96A	30-61	APS164-02504	APS66-10500	4	APS105-00200
337B ¹ ,C,D	3370526 thru 337-0619 3370526 thru 3371193	40-96A	31-61A	66-03600 ³	66-03600 ³	4	APS105-00200
		40-96A	31-61D	APS164-02504	APS66-10500	4	APS105-00200
337E	All	40-98A	30-69B	APS164-02707	APS66-02200	4	APS177-00300
340, 340A ¹	340-0001 thru 340A1200	40-40A	30-28B	APS164-00806	APS66-03300	6	APS177-00400
340A ¹	340A1201 thru 340A1817	40-40D	30-28B	APS164-20206	APS66-03300	6	APS177-00400
401 Series	All	40-40A	30-28B	APS164-00806	APS66-03300	6	APS177-00400
402,A,B ¹	4020001 thru 402C0400	40-135	30-100	APS164-06406	APS66-06600	8	APS177-01600
402B,C ¹	402C0401 thru 402C1020 ²	40-135	30-100	APS164-06406	APS66-06600	8	APS177-01600
		40-135A	30-100	APS164-20306	APS66-06600	8	APS177-01600
404	All	40-132	30-97	APS164-09100	APS66-06400	8	APS177-01600
411, 411A ¹	All ²	40-40A	30-28B	APS164-00806	APS66-03300	6	APS177-00400
414	All	McCauley	N/A	N/A	APS66-06600		APS177-01600
414A ¹	414A0001 thru 414A0600 ²	40-135	30-100	APS164-06406	APS66-06600	8	APS177-01600
		40-40A	30-28B	APS164-00806	APS66-03300	6	APS177-00400
		40-135	30-100	APS164-06406	APS66-06600	8	APS177-01600
		40-40A	30-28B	APS164-00806	APS66-03300	6	APS177-00400
421C ¹	421C0001 thru 421C0910 421C1001 thru 421C1807	40-135	30-100	APS164-06406	APS66-06600	8	APS177-01600
		40-135A	30-100	APS164-20306	APS66-06600	8	APS177-01600
		40-138 or 40-138A	30-113 or 30-113A	APS164-05500	APS66-06400	8	APS177-01600
425	All	40-138 or 40-138A	30-113 or 30-113A	APS164-05500	APS66-06400	8	APS177-01600
Cirrus Design Group							
SR-20	1601 and up	40-75P	30-52AB	APS164-01501	APS66-10500	4	APS105-00200
SR-22	1740 and up	40-406	30-233B	APS164-02504	APS66-06200	4	APS177-00300
Daimler Benz/ M.B.B.							
B.O. 209 Monsun	All	40-78B	30-9	APS164-01700	APS66-10600	2	APS105-00200
Diamond Aircraft							
DA20	All	40-78E	30-9D	APS164-24200	APS66-10600	2	APS105-00200
DA40	All	40-14A	30-239	APS164-24400	APS66-14100	2	APS105-00200
DA42 Twin Star	All	40-75Z	30-52Z	APS164-01501	APS66-10500	4	APS105-00200
Eagle Aircraft							
220, 300 Eagle	All	40-101	30-89A	APS164-03006	APS66-10800	6	APS105-00200
Explorer Aeronautique							
Private Explorer Float	All	40-101	30-67B	APS164-03006	APS66-10800	4	APS105-00200
FFA Flugzeugwerke							
AS202-18A4 Bravo	All	40-97A	30-63A	APS164-02601	APS66-10500	2	APS105-00200
Found Brothers							
100 Centennial	All	40-75B	30-52	APS164-01501	APS66-10500	4	APS105-00200
GAF Australia							
N22B, N22S	All	40-75T	30-52Q	APS164-08300	APS66-10500	4	APS105-00200
N24A	All ²	40-75T	30-52Q	APS164-08300	APS66-10500	4	APS105-00200
		40-143	30-129	164-08200 ⁴	APS66-06200	4	APS177-00300
General Aviation (Italy)							
F.20 Pegaso, F.20TP condor	All	40-75G	30-52P	APS164-01501	APS66-10500	4	APS105-00200
F.22 Pinguino	All	40-151	30-164	APS164-08500	APS66-06200	2	APS177-00300
Great Lakes							
2T-1A	All	40-113	30-75	APS164-04000	APS66-10500	2	APS105-00200
Grob							
G103, G103C	All	40-97A	30-63A	APS164-02601	APS66-10500	2	APS105-00200
G109, G109B	All	40-78B	30-9	APS164-01700	APS66-10600	2	APS105-00200
Grumman							
AA-1, AA-5	All	40-86A	30-55B	APS164-02000	APS66-10500	2	APS105-00200
AA-1A, AA-1B, AA-5A, AA-5B	All	40-88C	30-56B	APS164-02000	APS66-10500	2	APS105-00200
700	All	40-128C	30-93A	APS164-05006	APS66-02200	6	APS177-00300
450, 600	All	40-101	30-67	APS164-03006	APS66-10800	4	APS105-00200
G164	All	40-47	30-32C	APS164-01100	APS66-10600	4	APS105-00200
G164A	All	40-101	30-67	APS164-03006	APS66-10800	4	APS105-00200
G164B, G164C, G164D	All	40-133	30-84	APS164-05806	APS66-10800	8	APS105-00200
GA-7	All	40-90	30-23B	APS164-02201	APS66-06500	2	APS177-00300
Hello							
H-250, H-295, H-391, H-395	All ²	40-75D	30-52N	APS164-03601	APS66-10500	4	APS105-00200
		40-75E	30-52A	APS164-01501	APS66-10500	4	APS105-00200
		40-75T	30-52N	APS164-08300	APS66-10500	4	APS105-00200
		40-98A	30-66A	APS164-02707	APS66-10500	4	APS105-00200
Hunting Firecracker A/C							
NDN1T Turbo Firecracker	All	40-120C	30-83A	N/A	APS66-06200	4	APS177-00300
Industria Unidas SA							
A-9B Sparrow, Quail	All	40-99	30-41	APS164-02800	APS66-10600	4	APS105-00200

¹ Partial model eligibility
² Must verify wheel or brake assembly P/N
³ OEM lining must be used
⁴ OEM disc must be used

Eligibility continued on next page.



Brake and Wheel Parts Brake Discs and Linings



FAA-PMA Approved

Continued from previous page

Aircraft Model	Serial Number	Wheel Assy P/N	Brake Assy P/N	Brake Disc P/N	Lining P/N	Linings per Wheel	Rivet or Pin P/N
Marsh Aviation							
G-164C-T Turbo Cat	All	40-133	30-84	APS164-05806	APS66-10800	8	APS105-00200
S2R-T Turbo Thrush	All ²	40-129 or 40-133	30-94	APS164-05606	APS66-10800	8	APS105-00200
Maule Air							
M4, M5, M6 Series	All	40-97D	30-63E	APS164-02601	APS66-10500	2	APS105-00200
M7, M9 Series	All	40-75D	30-52A or 30-52N	APS164-03601	APS66-10500	4	APS105-00200
Mcculloch							
J-2 Helicopter	All	40-78B	30-9	APS164-01700	APS66-10600	2	APS105-00200
Mooney							
M10 Cadet	All ²	40-97 or 40-97A	30-63 or 30-63A	APS164-02601	APS66-10500	2	APS105-00200
M20A, B ¹	1401 thru 3466	40-24	30-5	APS164-00900	APS66-11100	N/A	APS105-00200
M20C ¹	670001 thru 690098	40-86	30-56A	APS164-02000	APS66-10500	2	APS105-00200
M20D	All	40-24	30-5	APS164-00900	APS66-11100	N/A	APS105-00200
M20E ¹	101 thru 1308 670001 thru 700061	40-24	30-5	APS164-00900	APS66-11100	N/A	APS105-00200
M20F ¹	660003 thru 700072	40-86	30-56A	APS164-02000	APS66-10500	2	APS105-00200
M20G, J, K	All	40-86	30-56A	APS164-02000	APS66-10500	2	APS105-00200
M20M	All	40-92A	30-65	APS164-02300	APS66-10500	4	APS105-00200
NDN Aircraft							
NDN6 Fieldmaster	All	40-175	30-149	164-21100 ³	APS66-06600	12	APS177-01600
Pacific Aerospace							
FU24-954; FU24A-954	240, 247 and up	40-47	30-32C	APS164-01100	APS66-10600	4	APS105-00200
08-600 Cresco	All	40-101	30-89	APS164-03006	APS66-10800	6	APS105-00200
Partenavia							
P.64B, P.66B	All	40-28	30-18	APS164-00500	APS66-10600	2	APS105-00200
P.66C-160, P.66T	All	40-86B	30-55	APS164-02000	APS66-10500	2	APS105-00200
P.68, P.68B, P.68C, P.68C-TC	All	40-142	30-127	APS164-07800	APS66-06200	4	APS177-00300
Partenavia							
Series 300	All	40-163	30-139	APS164-20500	APS66-06200	8	APS177-00300
Performance Aircraft							
Legend	All	40-96E	30-61E	APS164-02504	APS66-10500	4	APS105-00200
Pilatus Britten-Norman							
BN-2 Series	All ²	40-90F 40-90 40-90B 40-98F	30-23D 30-23A 30-23C 30-66D	APS164-01506 APS164-02201 APS164-02201 APS164-02706	APS66-06500 APS66-06500 APS66-06500 APS66-02200	2 2 2 4	APS177-00300 APS177-00300 APS177-00300 APS177-00300
Pilatus Britten-Norman							
Defender 4000	All	40-128E	30-93E	164-23300 ⁴	APS66-04400	6	APS177-00300
Piper							
J-3, PA-11, PA-12, PA-14, PA-16	All	40-60	30-60	APS164-06700	APS66-10600	4	APS105-00200
PA-18	All ²	40-60 40-84	30-60 30-41	APS164-06700 APS164-01900	APS66-10600 APS66-10600	4 4	APS105-00200 APS105-00200
PA-18-150, PA-18A-150	All	40-60	30-60	APS164-06700	APS66-10600	4	APS105-00200
PA-20	All ²	40-60 40-84	30-60 30-41	APS164-06700 APS164-01900	APS66-10600 APS66-10600	4 4	APS105-00200 APS105-00200
PA-22	All	40-84	30-41	APS164-01900	APS66-10600	4	APS105-00200
PA-22-108	All	40-28	30-18	APS164-00500	APS66-10600	2	APS105-00200
PA-23-150, 160	All	40-3	30-13	159-00200 ⁴	APS66-10600	4	APS105-00200
PA-23-235	All	40-4	30-8	APS164-00206	APS66-10600	8	APS105-00200
PA-E23-250 ¹	27-3738 thru 27-7554 and 27-7554139	40-116	30-72	APS164-03206	APS66-06500	4	APS177-00300
	27-7554141 thru 27-7554149 and 27-7554138	40-116 or 40-131	30-96	APS164-05700	APS66-06200	8	APS177-00300
PA-24-180,250,260 ¹	24-1 thru 24-3306	40-5	30-12	159-00100 ⁴	APS66-10600	4	APS105-00200
	24-3307 and On ²	40-58 40-84	30-41 30-41B	APS164-00900 APS164-01900	APS66-10600 APS66-10600	4 4	APS105-00200 APS105-00200
PA-25, PA-25-235	25-1 thru 25-1999 25-2000 thru 25-4171 25-4172 and on	40-5 40-61 40-84A	30-12 30-41 30-41B	159-00100 ⁴ APS164-01300 APS164-03300	APS66-10600 APS66-10600 APS66-10600	4 4 4	APS105-00200 APS105-00200 APS105-00200
PA-28-140	28-20002 thru 28-20520 28-20521 thru 28-7725290	40-28 40-86	30-18 30-55	APS164-00500 APS164-02000	APS66-10600 APS66-10500	2 2	APS105-00200 APS105-00200
PA-28-150	28-1 thru 28-1760	40-28	30-18	APS164-00500	APS66-10600	2	APS105-00200
PA-28-151	All	40-86B	30-55	APS164-02000	APS66-10500	2	APS105-00200
PA-28-160	28-1761 thru 28-4377	40-86	30-55	APS164-02000	APS66-10500	2	APS105-00200
PA-28-161	All	40-86B	30-55	APS164-02000	APS66-10500	2	APS105-00200
PA-28-180 ¹	28-1 thru 28-1760 28-1761 thru 28-5869 28-7105001 thru 28-7505260	40-28 40-86 40-86	30-18 30-55 30-55	APS164-00500 APS164-02000 APS164-02000	APS66-10600 APS66-10500 APS66-10500	2 2 2	APS105-00200 APS105-00200 APS105-00200
PA-28R-180	All ²	40-84	30-41	APS164-01900	APS66-10600	4	APS105-00200
PA-28-181	All	40-86	30-55	APS164-02000	APS66-10500	2	APS105-00200
PA-28R-200 ¹	28R-35001 thru 28R-7135109 28R-7135110 thru 28R-7635545	40-84 40-86 or 40-86B	30-41 30-55	APS164-01900 APS164-02000	APS66-10600 APS66-10500	4 2	APS105-00200 APS105-00200
PA-28-201T, PA-28R-201	All	40-86B	30-55	APS164-02000	APS66-10500	2	APS105-00200
PA-28R-201T, PA-28RT-201	All	40-86B	30-55	APS164-02000	APS66-10500	2	APS105-00200
PA-28-235	28-7410001 thru 28-7710089	40-86	30-55	APS164-02000	APS66-10500	2	APS105-00200
PA-28-236	All ²	40-86B 40-90A	30-55 30-65	APS164-02000 APS164-02300	APS66-10500 APS66-10500	2 4	APS105-00200 APS105-00200
PA-30	30-2 - 30-845 30-846 thru 30-2000	40-34 40-90	30-23 30-23	APS164-01000 APS164-02201	APS66-06500 ³ APS66-06200 ³	2 2	APS177-00300 APS177-00300
PA-31-300,310 ¹	31-5 thru 31-7300962	40-102	30-68	APS164-03506	APS66-03300	6	APS177-00400
PA-31-325	All	40-102A	30-68A	APS164-04406	APS66-03300	6	APS177-00400
PA-31-350 ¹	31-5001 thru 31-8452021	40-102A 40-130	30-68A 30-95A	APS164-04406 APS164-07906	APS66-03300 APS66-06600	6 8	APS177-00400 APS177-01600
PA-31-350 ¹ (T-1020)	Heavy Duty Option 31-8253001 thru 31-8453021	40-141 40-130	30-123 30-95A	APS164-07700 APS164-07906	APS66-06800 APS66-06600	12 8	APS177-01600 APS177-01600
PA-31T1,2,3 (T-1020)	All	40-106	30-106	APS164-03906	APS66-06800	16	APS177-01600

Brake and Wheel Parts

¹ Partial model eligibility
² Must verify wheel or brake assembly P/N
³ Use P/N APS66-06200 on the back plate and P/N APS66-06500 on the pressure plate.
⁴ OEM disc must be used
Eligibility continued on next page.



Brake and Wheel Parts

Continued from previous page

Aircraft Model	Serial Number	Wheel Assy P/N	Brake Assy P/N	Brake Disc P/N	Lining P/N	Linings per Wheel	Rivet or Pin P/N
Piper							
PA-32-260	Heavy Duty Option	40-120	30-63	AOS164-21600	APS66-06200	4	APS177-00300
	32-1 thru 32-7300076	40-90	30-65	APS164-02201	APS66-10500	4	APS105-00200
	32-7400001 thru 32-7800008 ²	40-90 40-90A	30-65 30-65	APS164-02201 APS164-02300	APS66-10500 APS66-10500	4 4	APS105-00200 APS105-00200
PA-32-300	Heavy Duty Option	40-120	30-83	APS164-21600	APS66-06200	4	APS177-00300
	32-40000 thru 32-7440000	40-90	30-65	APS164-02201	APS66-10500	4	APS105-00200
	32-7440001 thru 32-7940290 ²	40-90 40-90A	30-65 30-65	APS164-02201 APS164-02300	APS66-10500 APS66-10500	4 4	APS105-00200 APS105-00200
PA-32R-300, PA-32RT-300	Heavy Duty Option	40-120	30-83	APS164-21600	APS66-06200	4	APS177-00300
	All	40-90A	30-65	APS164-02300	APS66-10500	4	APS105-00200
PA-32RT-300T	Heavy Duty Option	40-120	30-83	APS164-21600	APS66-06200	4	APS177-00300
PA-32-301, PA-32-301T	32R-7887002 thru 32R-7987126	40-90A	30-65	APS164-02300	APS66-10500	4	APS105-00200
	Heavy Duty Option	40-120C	30-83A	APS164-21600	APS66-06200	4	APS177-00300
PA-34-200	All	40-90A	30-65	APS164-02300	APS66-10500	4	APS105-00200
	Heavy Duty Option	40-120	30-83	APS164-21600	APS66-06200	4	APS177-00300
	34-7250001 thru 34-7350353	40-90	30-65	APS164-02201	APS66-10500	4	APS105-00200
PA-34-200T	34-7450001 thru 34-7450220 ²	40-90	30-65	APS164-02201	APS66-10500	4	APS105-00200
	Heavy Duty Option	40-120	30-83	APS164-21600	APS66-06200	4	APS177-00300
	All	40-90A	30-65	APS164-02300	APS66-10500	4	APS105-00200
PA-34-220T	Heavy Duty Option	40-120	30-83A	APS164-21600	APS66-06200	4	APS177-00300
	All	40-90A	30-65	APS164-02300	APS66-10500	4	APS105-00200
PA-36-285, PA-36-300, PA-36-375	All	40-101	30-67B	APS164-03006	APS66-10800	4	APS105-00200
PA-38-112	All ²	40-78B	30-9B	APS164-01700	APS66-10600	2	APS105-00200
		40-59D	30-53A	APS164-06900	APS66-11200	2	APS105-00200
PA-39	All	40-90	30-23	APS164-02201	APS66-06500 ³ APS66-06200 ³	2 2	APS177-00300
	Heavy Duty Option	40-120	30-83	APS164-21600	APS66-06200	4	APS177-00300
PA-44-180	All	40-90A	30-65	APS164-02300	APS66-10500	4	APS105-00200
		40-120	30-83	APS164-21600	APS66-06200	4	APS177-00300
PA-44-180T	All	40-120	30-83	APS164-21600	APS66-06200	4	APS177-00300
PA-46-310P, 350P	All	40-120C	30-83A	APS164-21600	APS66-06200	4	APS177-00300
PA-60-600,601,601P,700P	All	40-124	30-88	APS164-05006	APS66-02200	8	APS177-00300
Pitts							
A-1	All	40-60	30-60	APS164-06700	APS66-10600	4	APS105-00200
S-1S,2	All	40-79B	30-9	APS164-01700	APS66-10600	2	APS105-00200
Quest Aircraft Design							
Kodiak 100	All	40-179	30-182	APS164-22201	APS66-03300 ⁵ APS66-15300 ⁵	8	APS177-00300
Revo Inc (formerly Lake)							
LA-4 series, LA-4-200	All			APS164-A1634B			
SAAB-Scania							
MF1-15, MF1-17	All	40-97D	30-63D	APS164-02601	APS66-10500	2	APS105-00200
Sadler Aircraft							
A-22 Lasa, 18-1000PV	All	40-78B	30-9	APS164-01700	APS66-10600	2	APS105-00200
Schleicher							
ASW21, 20, 22, 23 Sailplane	All	40-78B	30-9	APS164-01700	APS66-10600	2	APS105-00200
Shaefer Aircraft mods							
PA-31-350 Comanchero 500	All	40-195	30-158	APS164-21900	APS66-06800	12	APS177-01600
PA-31T Comanchero 750	All	40-106	30-106	APS164-03906	APS66-06800	16	APS177-01600
SIAI Marchetti							
SF.205	All	40-97E	30-63M	APS164-02601	APS66-10500	2	APS105-00200
SF.260, SF.260C	All	40-3	30-13	159-00200 ⁴	APS66-10500	4	APS105-00200
SF.260SW	All	40-90A	30-65A	APS164-02300	APS66-10500	4	APS105-00200
Slingsby Aviation							
T67M	All	40-86B	30-55	APS164-02000	APS66-10500	2	APS105-00200
Stinson							
108, 108-1,2,3,5	108-1 and up	40-28	30-18	APS164-00500	APS66-10600	2	APS105-00200
Stol Aircraft							
UC-1	All	40-74	30-51A	APS164-00700	APS66-10600	4	APS105-00200
Taylorcraft							
F-19, F-21, F-21A, F-22	All	40-86	32-55	APS164-02000	APS66-10500	2	APS105-00200
Univair							
A-2, A-2A	All	40-97A	30-63A	APS164-02601	APS66-10500	2	APS105-00200
Varga							
2150A, 2180	VAC-50 and up	40-97E	30-63E	APS164-02601	APS66-10500	2	APS105-00200
Waco							
Meteor, Minerva, Vela	All	40-97A	30-63A	APS164-02601	APS66-10500	2	APS105-00200
Weatherly Aviation							
201A, 201B, 201C	All	40-101	30-67D	APS164-03006	APS66-10800	4	APS105-00200
620, 620TP	1501 thru 1519	40-101	30-67D	APS164-03006	APS66-10800	4	APS105-00200
620A	1520 thru 1584	40-101	30-67D	APS164-03006	APS66-10800	4	APS105-00200
		40-101	30-89B	APS164-03006	APS66-10800	6	APS105-00200
620B	1550 and up 1520 and up	40-101		APS164-03006	APS66-10800	4	APS105-00200
		40-101 or 40-101E		APS164-03006	APS66-10800	6	APS105-00200
620TP	1520 thru 1584	40-101		APS164-03006	APS66-10800	6	APS105-00200
Wing Aircraft							
D-1	2 and up	40-84		APS164-01900	APS66-10600	4	APS105-00200

² Must verify wheel or brake assembly P/N
³ Use P/N APS66-06200 on the back plate and P/N APS66-06500 on the pressure plate.
⁴ OEM disc must be used
⁵ Aircraft with 30-182 calipers installed may use either APS66-03300 or APS66-15300 linings in complete sets. **Caution:** Never mix APS66-03300 linings on the same caliper as the APS66-15300's. APS66-15300 linings are .035" thicker than the APS66-03300's.



Brake and Wheel Parts Brake Discs and Linings

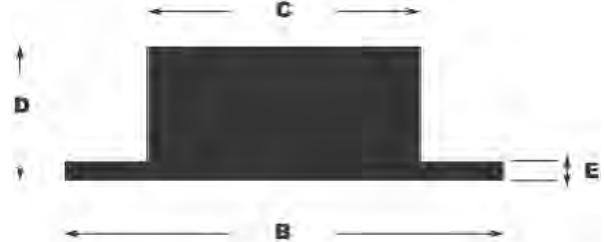


APS BlackSteel® Brake Disc Dimensions

Brake Disc P/N	B	C	D	E	F	OEM Brake Manufacturer
	OD Wear	OD Base	Overall Height	Thickness Wear Surface	Number Bolt Holes	
APS164-00206	7.31	5.52	1.50	.683	3 (1/4")	Cleveland
APS164-00300	7.50	5.49	2.16	.231	3 (5/16")	Cleveland
APS164-00400	6.36	4.51	1.71	.191	3 (1/4")	Cleveland
APS164-00500	7.30	5.52	1.97	.182	3 (1/4")	Cleveland
APS164-00700	7.30	5.53	2.25	.372	3 (1/4")	Cleveland
APS164-00806	11.63	9.52	2.42	.361	9 (1/4")	Cleveland
APS164-00900	7.30	5.52	2.03	.253	3 (1/4")	Cleveland
APS164-01000	7.50	5.53	2.10	.370	6 (1/4")	Cleveland
APS164-01100	7.50	5.53	2.17	.373	6 (5/16")	Cleveland
APS164-01300	7.31	5.53	2.29	.256	3 (1/4")	Cleveland
APS164-01406	11.63	9.34	2.32	.362	9 (1/4")	Cleveland
APS164-01501	7.49	5.49	2.34	.368	3 (5/16")	Cleveland
APS164-01506	7.50	5.48	2.37	.374	3 (5/16")	Cleveland
APS164-01600	7.31	5.48	2.18	.184	3 (5/16")	Cleveland
APS164-01700	6.36	4.47	2.06	.183	3 (1/4")	Cleveland
APS164-01900	7.30	5.49	2.09	.254	3 (5/16")	Cleveland
APS164-02000	7.49	5.49	2.16	.228	3 (5/16")	Cleveland
APS164-02201	7.49	5.49	2.25	.372	3 (5/16")	Cleveland
APS164-02300	7.49	5.49	2.25	.372	3 (5/16")	Cleveland
APS164-02504	7.49	5.49	2.36	.478	3 (5/16")	Cleveland
APS164-02505	7.49	5.60	2.47	.480	3 (5/16")	Cleveland
APS164-02601	7.59	5.50	2.22	.230	3 (5/16")	Cleveland
APS164-02706	9.62	7.37	2.42	.366	6 (5/16")	Cleveland
APS164-02707	9.62	7.35	2.53	.380	6 (21/64")	Cleveland
APS164-02800	7.31	5.53	2.03	.260	6 (1/4")	Cleveland
APS164-03006	11.62	9.35	2.49	.304	9 (1/4")	Cleveland
APS164-03106	11.63	9.35	2.50	.190	9 (1/4")	Cleveland
APS164-03206	7.50	5.20	1.50	.690	3 (1/4")	Cleveland
APS164-03300	7.313	5.50	2.38	.257	3 (5/16")	Cleveland
APS164-03506	11.63	9.34	4.22	.290	9 (1/4")	Cleveland
APS164-03601	7.49	5.49	2.62	.368	3 (5/16")	Cleveland
APS164-03906	11.81	9.34	2.46	.645	9 (5/16")	Cleveland
APS164-04000	7.49	5.49	2.18	.228	3 (1/4")	Cleveland
APS164-04406	11.63	9.36	2.43	.380	9 (9/32")	Cleveland
APS164-05500	11.853	9.35	2.41	.525	9 (21/64)	Cleveland
APS164-05806	11.62	9.35	2.72	.429	9 (5/16")	Cleveland
APS164-06106	9.62	7.49	2.65	.515	6 (3/8")	Cleveland
APS164-06700	7.35	5.48	2.38	.253	6 (1/4")	Cleveland
APS164-07200	11.81	8.28	2.66	.533	8 (23/64")	Cleveland

Brake Disc P/N	B	C	D	E	F	OEM Brake Manufacturer
	OD Wear	OD Base	Overall Height	Thickness Wear Surface	Number Bolt Holes	
APS164-07700	11.90	9.35	2.41	.520	9 (5/16")	Cleveland
APS164-07800	7.50	5.50	2.36	.484	6 (21/64")	Cleveland
APS164-07906	11.63	9.36	2.58	.500	9 (1/4")	Cleveland
APS164-08300	7.49	5.49	2.62	.371	6 (5/16")	Cleveland
APS164-08500	6.38	4.48	2.23	.371	3 (1/4")	Cleveland
APS164-09100	11.85	9.35	2.53	.535	9 (21/64")	Cleveland
APS164-20306	11.63	9.34	2.50	.504	9 (5/16")	Cleveland
APS164-21600	7.50	5.48	2.24	.431	6 (5/16")	Cleveland
APS164-22000	11.85	8.00	2.55	.417	6 (3/8")	Cleveland
APS164-22202	11.62	9.34	2.78	.567	9 (21/64")	Cleveland
APS164-22400	13.90	10.02	3.50	.430	9 (3/8")	Cleveland
APS164-24200	6.38	4.50	2.16	.190	3 (1/4")	Cleveland
APS164-24400	7.53	5.48	2.26	.320	3 (5/16")	Cleveland
APS164-24500	7.50	5.50	2.44	.371	6 (5/16")	Cleveland
APS164-30007	7.49	5.49	1.97	.221	6 (1/4")	McCauley
APS164-30195	7.50	5.49	2.07	.225	6 (5/16")	McCauley
APS164-30388	7.50	5.49	2.34	.355	6 (5/16")	McCauley
APS164-30398	7.50	5.49	2.10	.355	6 (5/16")	McCauley
APS164-30414	7.50	5.49	2.16	.355	6 (5/16")	McCauley
APS164-30440	7.50	5.49	1.97	.215	6 (5/16")	McCauley
APS164-30615-2	7.50	5.50	1.52	.215	3 (5/16")	McCauley
APS164-30615-3	7.50	5.50	1.89	.355	3 (5/16")	McCauley
APS164-30615-4	7.50	5.50	1.66	.355	3 (5/16")	McCauley

This is not a complete list of all brake discs offered. Please visit www.mcfarlaneaviation.com for additional dimensions.



Brake Disc, Lining, and Rivet Eligibility for Aircraft with Cleveland Conversion Kits Installed (Includes Experimental Aircraft)

Aircraft Model	Cleveland Kit P/N	Wheel Assy P/N	Brake Assy P/N	Brake Disc P/N	Lining P/N	Linings per Wheel	Rivet or Pin P/N
Aero Commander							
100 - 180 Lark	199-188	40-86A	30-56F	APS164-02000	APS66-10500	2	APS105-00200
American Homebuilts							
STOL	199-105C	40-113X	30-75X	APS164-04000	APS66-10500	2	APS105-00200
Ayres							
S-2R Thrush	199-68A	40-33	30-98A	APS164-05806	APS66-10800	12	APS105-00200
Beechcraft							
A23-19,19A,M19A, B19, 23,A23,A23A,B23,C23,A23-24,A24R	199-125	40-113C	30-75B	APS164-04300	APS66-10500	2	APS105-00200
D18C,S; E18S,E18S-9700, G18S,H18,C45G, TC-45G, RC-45J, TC-45H, 45J, UC-45J, JRB-6	199-127 199-141	40-170 40-21101	30-144B 30-170	APS164-20900 APS164-22400	APS66-10000	8	APS177-01600
35,A35,B35,C35,D35,E35,F35,G35,35R, 35-33, 35-A33,B33, C33, C33A,E33A,F33,F33A,C,G33, H35,J35,K35,M35,N35,P35,S35,V35, V35A,B; A36	199-49	40-83	30-54	APS164-02504	APS66-10500	4	APS105-00200
35,A35,B35,C35,D35,E35,F35,G35,35R,H35,J35,K35,M35, N35, P35,S35,45 (Ty-34), A45 (T34A), B45,D45 (T-34B),D55,D55A,E55, E55A,95,B95A, D95A, E95, 95-55, A55,B55,B55A,B55B,C55,C55A	199-50	40-98	30-66	APS164-02706	APS66-04400	4	APS177-00300
50,B50,C50,D50,D50A,B,C,E, E50,F50,G50,H50,J50	199-88	40-134A	30-99	APS164-06306	APS66-06600	8	APS177-00300
D55,D55A,E55,E55A,58,58A, 95, B95,B95A,D95A,E95,95-55, A55, B55,B55A,B55B,C55,C55A	199-38	40-128D	30-93C	APS164-06106	APS66-09700	6	APS177-00300
58P,58TC,60,A60,B60	199-73	40-128	30-93	APS164-06106	APS66-04400	6	APS177-00300
65,A65,70,65-80,A80,B80,88	199-123	40-170B	30-144A	APS164-22900		8	APS177-01600
A90,B90,C90,90A,E90,H90,65-A90-1,2,3,4	199-90	40-170A	30-144	APS164-20900		8	APS177-01600
F90,99,99A,A99A,B99,C99,100,A100,B100,200,200C,CT,T; A200,A200C,CT; B200,B200C,CT,T	199-110	40-289	30-146	APS164-21000	APS66-09100	2	N/A
Cessna							
120, 140,140A	199-46	40-97A	30-63A	APS164-02601	APS66-10500	2	APS105-00200
150, A150, F150, FA150, A152, F152, FA152 Series	199-84	40-113	30-75	APS164-04000	APS66-10500	2	APS105-00200
170,A,B	199-46	40-97A	30-63A	APS164-02601	APS66-10500	2	APS105-00200
172, F172 Series, FR172 Series, R172 Series	199-84A	40-113	30-75A	APS164-04000	APS66-10500	2	APS105-00200
172, A,B,C,D,E, P172D	199-46	40-97A	30-63A	APS164-02601	APS66-10500	2	APS105-00200
175,A,B,C	199-46	40-97A	30-63A	APS164-02601	APS66-10500	2	APS105-00200
177 Series	199-84	40-113	30-75	APS164-04000	APS66-10500	2	APS105-00200
177RG	199-84	40-113	30-75	APS164-04000	APS66-10500	2	APS105-00200
180, 180A,B,C,D,E,F	199-46	40-97A	30-63A	APS164-02601	APS66-10500	2	APS105-00200
180, 180A,B,C,D,E,F,H,J	199-60	40-75B	30-52	APS164-01501	APS66-10500	4	APS105-00200
180, 180A,B,C,D,E,F,H,J,K	199-62	40-75D	30-52N	APS164-03601	APS66-10500	4	APS105-00200
182, A182J,K,L,N, F182P,Q	199-155	40-75J	30-52Y	APS164-03601	APS66-10500	4	APS105-00200
182, 182A,B,C,D,E,F,G	199-84	40-113	30-75	APS164-04000	APS66-10500	2	APS105-00200
185, 185A,B,E	199-62	40-75D	30-52N	APS164-03601	APS66-10500	4	APS105-00200
	199-155	40-75J	30-52Y	APS164-03601	APS66-10500	4	APS105-00200
185,A,B	199-60	40-75B	30-52	APS164-01501	APS66-10500	4	APS105-00200

Eligibility continued on next page.



FAA-PMA Approved

Continued from previous page

Brake and Wheel Parts

Aircraft Model Cessna	Cleveland Kit P/N	Wheel Assy P/N	Brake Assy P/N	Brake Disc P/N	Lining P/N	Linings per Wheel	Rivet or Pin P/N
A185E,F1	199-60	40-75B	30-52	APS164-01501	APS66-10500	4	APS105-00200
A185F1	199-155	40-75J	30-52Y	APS164-03601	APS66-10500	4	APS105-00200
A185F1	199-62	40-75D	30-52N	APS164-03601	APS66-10500	4	APS105-00200
190, 195, 195A,B	199-61	40-40C	30-28C	APS164-00806	APS66-03300	6	APS177-00400
U206E,F, TU206E,F	199-60	40-75B	30-52	APS164-01501	APS66-10500	4	APS105-00200
U206E,F, TU206E,F	199-155	40-75J	30-52Y	APS164-03601	APS66-10500	4	APS105-00200
TU206E,F,G	199-62A	40-75T	30-52N	APS164-08300	APS66-10500	4	APS105-00200
U206E,F, TU206E,F	199-155	40-75J	30-52Y	APS164-03601	APS66-10500	4	APS105-00200
U206E,F, TU206E,F	199-62	40-75D	30-52N	APS164-03601	APS66-10500	4	APS105-00200
210,A,B,C,K,L,M, T210,K,L,M,N	199-60	40-75B	30-52	APS164-01501	APS66-10500	4	APS105-00200
P210N1	199-60A	40-75B	30-52U	APS164-01501	APS66-10500	4	APS105-00200
310,310A,B,C,D,E,F,G,H,I,J,K,L,N,P,Q,R 310J-1, E310H,J, T310P,Q,R	199-64	40-40B	30-1	APS164-01406	APS66-03300	2	APS177-00400
340, 340A	199-76	40-135A	30-100	APS164-20306	APS66-06600	8	APS177-01600
340, 340A	199-72	N/A	30-100	APS164-06406	APS66-06600	8	APS177-01600
401,401A,B, 402,402A,B	199-76	40-135A	30-100	APS164-20306	APS66-06600	8	APS177-01600
402,402A,B,C	199-72	N/A	30-100	APS164-06406	APS66-06600	8	APS177-01600
404	199-76	40-135A	30-100	APS164-20306	APS66-06600	8	APS177-01600
404	199-78	40-132	30-97	APS164-09100	APS66-06400	8	APS177-01600
411,411A, 414	199-72	N/A	30-100	APS164-06406	APS66-06600	8	APS177-01600
414,414A, 421,421A,B,C	199-76	40-135A	30-100	APS164-20306	APS66-06600	8	APS177-01600
441	199-115	40-169	30-143	APS164-20700	APS066-07300	6	APS177-01600
D.L.F. Holdings							
Tango	199-152	40-151	30-133	164-099002	APS66-10500	2	APS105-00200
De Havilland							
Chipmunk DHC-1-21,22,22A, DHC-1B,-2, -S3,-S5	199-79	40-97D	30-63P	APS164-02601	APS66-10500	2	APS105-00200
Beaver DHC-2 MK 1,2,3	199-95	40-134	30-99	APS164-06306	APS66-06600	8	APS177-01600
Twin Otter DHC-6-1,100,200,300	199-92	40-21101	30-170	APS164-22400	APS66-10000	8	APS177-01600
Ercoupe							
415-C, CD, D, E, F-1, F-1A1, G	199-69	40-41	30-30	APS164-00300	APS66-10500	2	APS105-00200
Explorer Aeronautique							
Private Explorer Std	199-62	40-75D	30-52N	APS164-03601	APS66-10500	4	APS105-00200
Private Explorer Float	N/A	40-101	30-67B	APS164-03006	APS66-10800	4	APS105-00200
Express Aircraft							
Express 2000/2000RG	199-60	40-75B	30-52	APS164-01501	APS66-10500	4	APS105-00200
Four Winds Aircraft							
192/210/250T	199-60	40-75B	30-52	APS164-01501	APS66-10500	4	APS105-00200
Globe Swift							
GC1A, GC1B	199-48	40-113C	30-79B	APS164-04300	APS66-10500	2	APS105-00200
Gulfstream Aerospace							
500,A,B,S,U	199-122	40-198	30-159B	APS164-22000		8	APS177-01600
500,A,B,S,U	199-122A	40-198	30-159C	APS164-22000		8	APS177-01600
560F,680F, FL,FLP,T,V,W,681, 685, 690, 690A,B,C,D, 695,A,B	199-80	40-107A	30-107E	APS164-07200		8	APS177-01600
Hensely Aircraft							
F-19 Wolf Aerobatic	199-46	40-97A	30-63A	APS164-02601	APS66-10500	2	APS105-00200
F-19 Wolf Utility	199-62	40-75B	30-52	APS164-01501	APS66-10500	4	APS105-00200
Lancair							
IV High Energy, Energy Upgrade	199-224, 224A	40-406	30-233	APS164-02504	APS66-06200	4	APS177-00300
IV Standard	199-208	40-963	30-61E	APS164-02504	APS66-10500	4	APS105-00200
Legacy FG/RG	199-152	40-151	30-133	164-099002	APS66-10500	2	APS105-00200
Murphy Manufacturing							
Rebel	199-71	40-60A	30-60A	APS164-06700	APS66-10600	4	APS105-00200
Navion							
A,B,D,E,F,G,H	199-52/199-52A	40-98D	30-66B	APS164-02707	APS66-11000	4	APS105-00200
Piper							
J3, PA-11,12,13,14,15,16,17,18,20	199-71A	40-97D	30-60A	APS164-02601	APS66-10600	4	APS105-00200
PA-18A-150	199-71	40-60	30-60A	APS164-06700	APS66-10600	4	APS105-00200
PA-31, -300,325,350	199-71A	40-97D	30-60A	APS164-02601	APS66-10600	4	APS105-00200
PA-31-310,325,350	199-71	40-60	30-60A	APS164-06700	APS66-10600	4	APS105-00200
PA-31P (425 HP), PA31-350	199-100	40-162	30-138	APS164-07700	APS66-06800	12	APS177-01600
PA-31-3501	199-66	N/A	30-95A	APS164-07906	APS66-06600	8	APS177-01600
PA-31T, PA-3T1	199-83	40-141	30-123	APS164-07700	APS66-06800	12	APS177-01600
PA-31T2	199-119	40-198	30-158	APS164-21900	APS66-06800	12	APS177-01600
PA-42, PA-42-720	199-89	40-106	30-106	APS164-03906	APS66-06800	16	APS177-01600
Pitts	199-111	40-167	30-142	APS164-20600	APS066-07300	8	APS177-01600
Pitts Special	199-112	40-166	30-141	APS164-07400	APS066-07300	8	APS177-01600
S1-S	199-103	40-78J	30-9C	APS164-01700	APS66-10600	2	APS105-00200
RANS	199-102	40-78B	30-9	APS164-01700	APS66-10600	2	APS105-00200
S-16	199-104	40-59A	30-59A	APS164-075003	APS66-11200	2	APS105-00200
S-7C	199-102	40-78B	30-9	APS164-01700	APS66-10600	2	APS105-00200
Skystar Aircraft							
Kit Fox	199-215	40-281	30-224	164-234002	APS66-10500	2	N/A
Pulsar	199-102	40-78B	30-9	N/A	APS66-10600	2	APS105-00200
Steen Aero Lab							
Skybolt	199-104	40-59A	30-59A	APS164-075003	APS66-11200	2	APS105-00200
Swift	199-105	40-113X	30-75X	APS164-04000	APS66-10500	2	APS105-00200
GC-1A, GC-1B	199-98	40-113C	30-79B	APS164-04300	APS66-10500	2	APS105-00200
Univair							
108 Series	188-87	40-97D	30-63Q	APS164-02601	APS66-10500	2	APS105-00200
Van's Aircraft							
RV-3, RV-9	199-102	40-75B	30-9	APS164-01700	APS66-10600	2	APS105-00200
RV-10	199-104	40-59A	30-59A	APS164-075003	APS66-11200	2	APS105-00200
Velocity Aircraft							
SE/XL	199-60	40-75B	30-52	APS164-01501	APS66-10600	4	APS105-00200

1 Partial model eligibility
 2 OEM brake disc or lining must be used, this part is not FAA-PMA approved.
 3 This part is not FAA-PMA approved
 4 Modified by Schaefer STC SA678SW
 5 S/N 813 and on



Brake and Wheel Parts Brake Discs and Linings



APS BlackSteel® Brakes for Pilatus PC-12

Cost effective replacement brake parts for the PC-12 with Cleveland Brakes

- All parts are FAA-PMA approved
- Longer wear life
- Parts are offered individually or as a convenient brake overhaul kit



Brake Overhaul Kit P/N APS199-575A			
Kit Includes P/N	Description	Qty	Index
APS095-01100	Washer-seal	1	1
APS101-00700	O-ring	2	2
APS101-02500	O-ring	6	3
APS105-02401	Rivet	48	4
APS105-08701	Rivet	48	5
APS107-03700	Scraper	6	6
APS109-03000	Wear Pad	72	7
APS159-07400	Rotor Assembly	3	8



Brake and Wheel Parts

APS Blacksteel Brakes for Caravan Aircraft

Improve braking performance!

- One piece forged disc eliminates weld failure
- Heat treated to reduce corrosion & rust
- FAA-PMA Approved



APS Extended Life Brake Lining

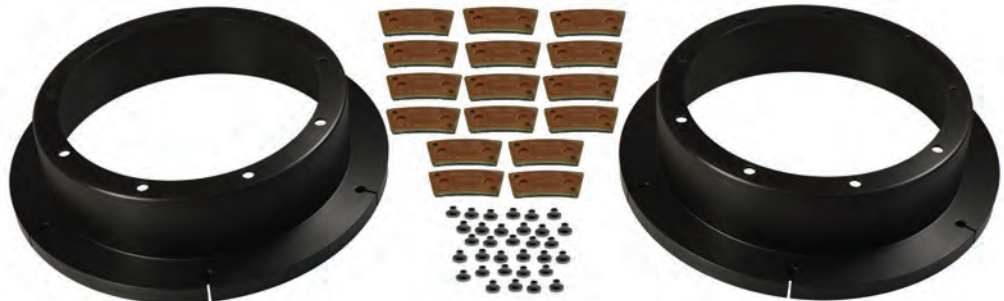
Reduce cost per landing

- Lining is .035" thicker
- 35% longer life!
- FAA-PMA Approved

Complete Brake Kit

P/N APS164-22201-1 contains:

2 brake discs P/N APS164-22201,
16 brake linings P/N APS66-15300
32 pins P/N APS177-00300



FAA-PMA Approved

Brake and Wheel Parts

McFarlane Aircraft Tire Balancers

Tire balance is important.
Now it's fast, accurate and affordable!

Aircraft tires spin 1.6 times faster than car tires. Out-of-balance tires cause a long list of maintenance problems:

- Uneven tire wear
- Premature bearing wear
- Shimmy and resulting torque link damage
- Destructive and distracting airframe vibration

McFarlane's tire balancer is a suspension tire balancer with a patented design featuring a pivot point that is easily adjustable on-the-fly for maximum balance sensitivity. It is small enough to fit in a tool box and doesn't require a bulky stand. The McFarlane design is more precise than other static balancing methods, and allows the wheel and tire to be balanced with the bearings and seals installed.

It's fast and easy. Due to the horizontal balancing orientation, test weights can be temporarily set in place and easily adjusted while balancing. This eliminates the need to tape the test weights. The McFarlane tire balancers are precision machined with a black, hard anodized finish, and comes in an oiled wooden case. This is a **lifetime tool** that fits almost all light aircraft wheel/tire assemblies.

- On-the-fly adjustable pivot point for maximum sensitivity (U.S. Patent No. US 9,032,793 B1)
- Portable – small enough to fit in your toolbox
- Does not require removal of bearings or seals
- Complete instructions included
- Multiple models and add-on bushing kits to accommodate 3/4", 1", 1 1/4", 1 1/8", 1 5/8" and 2" axles
- Conveniently packaged in a durable wooden box
- Doubles as a propeller balancer when used with our optional bushings



P/N TOOL129

Part Number	Description
TOOL128	Tire balancer for 3/4" diameter axles (common on experimental aircraft)
TOOL129 (Supersedes TOOL108)	Tire balancer for 1", 1 1/4", and 1 1/2" axles, including Cessna 300 and 400 Series tapered axles with 1 1/2" and 1" bearing bores.
TOOL129 LA-KT	Large Axle Bushing Kit for 1 1/8" and 2" axles (compatible with TOOL129 only)
TOOL108 LA-KT	Large Axle Bushing Kit for 1 5/8" and 2" axles (compatible with TOOL108 only)

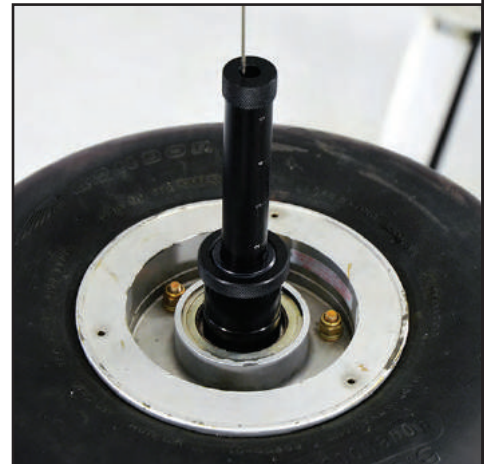
Now available to accommodate standard and taper axle sizes ranging from 3/4" to 2".



P/N TOOL129 LA-KT



Costs less and is more accurate than axle style balancers.



Brake Bleeder Valves for Cleveland and McCauley Wheels

Improved - No more rust, no more rounded wrench flats

Save \$\$\$

Bleeder Screws

- Strong heat treated 17-4 stainless steel prevents corrosion and rounding of the hex
- Increased hex size further resists rounding of the wrench hex

Bleeder Seats

- Stainless steel for corrosion resistance
- Type III class 3 cadmium plating sure is ugly, but it's the best protection against galvanic corrosion with the magnesium housing.

Even the Rubber Cap is Improved!

- Improved material prevents cracking
- Shorter design results in a more secure fit

Convenient Kits

- Two kits required per aircraft
- Components also available separately



MCBB-KT-1		
Qty	Part Number	Description
1	MC081-00100	Bleeder Seat
1	MC079-00300	Bleeder Screw
1	MC183-00100	Needle Cap

MCBB-KT-2		
Qty	Part Number	Description
1	MC081-00200	Bleeder Seat
1	MC079-00300	Bleeder Screw
1	MC183-00100	Needle Cap
1	MS28775-012	O-ring

MCBB-KT-3		
Qty	Part Number	Description
1	MC081-00500	Bleeder Seat
1	MC079-00300	Bleeder Screw
1	MC183-00100	Needle Cap
1	MS28775-011	O-ring

MCBB-KT-4		
Qty	Part Number	Description
1	MC081-00600	Bleeder Seat
1	MC079-00300	Bleeder Screw
1	MC183-00100	Needle Cap
1	NAS1612-4A	O-ring

MCBB-KT-5		
Qty	Part Number	Description
1	MC081-30169	Bleeder Seat
1	MC079-00300	Bleeder Screw
1	MC183-00100	Needle Cap
1	MS28775-011	O-ring

FAA-PMA Direct Replacements

Currently approved for most Cessna

Description	McFarlane P/N	Cleveland P/N	Cessna P/N	McCauley P/N
Bleeder Seat	MC081-00100	081-00100	37-206	A30030
Bleeder Screw	MC079-00300	079-00300	FC6446	A30085
Bleeder Seat	MC081-30169	081-30169		A30169
Needle Cap	MC183-00100	183-00100		A30040
Needle Cap	MC183-00100	183-1		A30040
Needle Cap	MC183-00100	183-0100		A30040

Aircraft	Serial Number	When equipped with brake number or Cleveland conversion kit:	Part Number
120, 140, 140A	All	Only for use with Cleveland conversion kit 199-46	MCBB-KT-1
150A,B,C,D,E,F,G,H,J,K,L,M	All		MCBB-KT-1
A150K,L,M	All		MCBB-KT-1
F150F,G,H,J,K,L,M	All		MCBB-KT-1
FA150K,L,M	All		MCBB-KT-1
152	15279406 thru 15285161	C163032-0110 or C163030-0113 (30-75)	MCBB-KT-1
	15285162 thru 15286033	C163033-0101 (C30018)	MCBB-KT-5
A152	All	C163032-0110 or C163030-0113 (30-75)	MCBB-KT-1
	A1520984 thru A1521049	C163033-0101 (C30018)	MCBB-KT-5
F152, FA152	All		MCBB-KT-1
170, 170A,B	All	Only for use with Cleveland conversion kit 199-46, 199-62, or 199-62A	MCBB-KT-1
172, 172A,B,C,D,E	All	Only for use with Cleveland conversion kit 199-46, 199-62, or 199-62A	MCBB-KT-1
172F,G,H,I,K,L,M,N	All		MCBB-KT-1
172P	17274010 thru 17275034	C163030-0111 (30-75A), C163032-0105, C163032-0113 (C30018-6) or equipped with Cleveland conversion kit 199-62, or 199-62A	MCBB-KT-1
	17275035 thru 17275868	C163033-0102 (C30764-6)	MCBB-KT-5
172Q	All	Only for use with Cleveland conversion kit 199-62, or 199-62A	MCBB-KT-1
172R,S	All		MCBB-KT-5
172RG	172RG0001 thru 172RG0890		MCBB-KT-1
	172RG0891 thru 172RG1191		MCBB-KT-5
F172D,E,F,G,H,K,L,M,N,P	All		MCBB-KT-1
FR172E,F,G,H,J,K, R172E,F,G,H,K	All		MCBB-KT-1
P172D	All	Only for use with Cleveland conversion kit 199-46	MCBB-KT-1
175, 175A,B,C	All	Only for use with Cleveland conversion kit 199-46, 199-62, or 199-62A	MCBB-KT-1
177, 177A,B, 177RG, F177RG	All		MCBB-KT-1
180	All	Only for use with Cleveland conversion kit 199-46, 199-60, 199-62 or 199-62A	MCBB-KT-1
180A,B,C,D,E,F	All	Only for use with Cleveland conversion kit 199-46, 199-60, or 199-62	MCBB-KT-1
180G,H	All		MCBB-KT-1

Continued on next page

Brake and Wheel Parts



MCBB-KT-1



MCBB-KT-2



MCBB-KT-3



MCBB-KT-4



MCBB-KT-5

Brake and Wheel Parts

Continued from previous page			
Aircraft	Begin Serial	When equipped with brake number or Cleveland conversion kit:	Part Number
180J	18052285 thru 18052384	1241157-1, C163030-0303 (30-52), C163030-0305 (30-52D), or C163030-0113 (30-75) or equipped with Cleveland conversion kit 199-60	MCBB-KT-1
	18052385 thru 18052770	C163030-0303 (30-52) or C163030-0113 (30-75) or equipped with Cleveland conversion kit 199-62	MCBB-KT-1
	All	C163032-0205 (30-52U), C163032-0206 (D30118-4), C163032-0207 (D30118-5), or C163032-0208 (D30118-6)	MCBB-KT-5
180K	All	C163030-0303 (30-52) or C163030-0113 (30-75) or equipped with Cleveland conversion kit 199-62	MCBB-KT-1
	All	C163032-0205 (30-52U), C163032-0206 (D30118-4), C163032-0207 (D30118-5), or C163032-0208 (D30118-6)	MCBB-KT-5
182	All	Only for use with Cleveland conversion kit 199-46	MCBB-KT-1
182A,B,C,D,E,F,G	All	Only for use with Cleveland conversion kit 199-46, 199-62, or 199-62A	MCBB-KT-1
182H,J,K,L,M,N,P,Q	All		MCBB-KT-1
182R	All		MCBB-KT-5
182S	All	Only for use with Cleveland conversion kit 199-62, or 199-62A	MCBB-KT-1
182T, T182T	All		MCBB-KT-3
A182J,K,L,N	All		MCBB-KT-3
F182P,Q	All		MCBB-KT-1
FR182	All		MCBB-KT-5
R182, T182, TR182	All		MCBB-KT-5
185, 185A,B,C,D,E, A185E	All		MCBB-KT-1
A185F	18502091 thru 18502300	C163032-0205 (30-52U), C163032-0206 (D30118-4), C163032-0207 (D30118-5), or C163032-0208 (D30118-6)	MCBB-KT-5
	18502091 thru 18502310	1241157-1, C163030-0303 (30-52), C163030-0305 (30-52D), or C163030-0113 (30-75) or when equipped with Cleveland conversion kit 199-60 or 199-62	MCBB-KT-1
	18502311 thru 18504448	C163030-0303 (30-52) or C163030-0113 (30-75)	MCBB-KT-1
188, 188A,B, A188, A188A,B, A188B	18800001 thru 18802348	C163030-0301 (30-52B) or C163030-0302 (30-52B)	MCBB-KT-1
188, 188A,B, A188, A188A,B	18800001 thru 18802348	30-67A, C163030-0601 (30-67C), C163030-0503 (30-66A), or C163030-504 (30-66A)	MCBB-KT-2
A188B	18802349 thru 18803973		MCBB-KT-2
A188B (w/large hopper)	18800833T thru 18802348T	C163030-0301 (30-52B) or C163030-0302 (30-52B)	MCBB-KT-1
	18800833T thru 18802348T	30-67A, C163030-0601 (30-67C), C163030-0503 (30-66A), or C163030-504 (30-66A)	MCBB-KT-2
	18802349T thru 18803973T		MCBB-KT-2
T188C	All		MCBB-KT-2
190, 195, 195A,B	All	Only for use with Cleveland conversion kit 199-61	MCBB-KT-2
210-5 (205), 210-5A (205A)	All		MCBB-KT-1
206, 206H	All		MCBB-KT-1
P206, P206A,B,C,D,E	All		MCBB-KT-1
T206H	All		MCBB-KT-1
TP206A,B,C,D,E, TU206A,B,C,D,E	All		MCBB-KT-1
TU206F, U206F	U20601701 thru U20602199		MCBB-KT-1
TU206F,G, U206F,G	U20602200 thru U20607020	C163030-0303 (30-52) or C163030-0313 (30-52N) or when equipped with Cleveland conversion kit 199-62	MCBB-KT-1
	All	C163032-0205 (30-52U), C163032-0206 (D30118-4), C163032-0207 (D30118-5), or C163032-0208 (D30118-6)	MCBB-KT-5
U206, U206A,B,C,D,E	All		MCBB-KT-1
207, 207A, T207, T207A	All		MCBB-KT-1
208, 208A,B	All		MCBB-KT-3
210, 210A,B	All	Only for use with Cleveland conversion kit 199-60	MCBB-KT-1
210C,D,E,F,G,H,J,K	All		MCBB-KT-1
210L,M	All	C163030-0303 (30-52) or when equipped with Cleveland conversion kit 199-60	MCBB-KT-1
	21060090 thru 21062954	C163032-205 (30-52U) or C163032-206 (D30118-4)	MCBB-KT-5
210N	21062955 thru 21063114	121494-3 or 121494-4	MCBB-KT-2
	21063115 thru 21064135	C163030-0315 (30-52V), C163030-0316 (30-52V), 30-05220, or 30-05270	MCBB-KT-3
	21064136 thru 21065009		MCBB-KT-3
	All	C163032-209 or C163032-210	MCBB-KT-5
210R, T210R	All		MCBB-KT-3
	P21000001 thru P21000150	C163032-205 (30-52U) or C163032-206 (D30118-4)	MCBB-KT-5
	P21000151 thru P21000191	121494-3 or 121494-4	MCBB-KT-2
P210N	All	Only for use with Cleveland conversion kit 199-60	MCBB-KT-1
	All	C163030-0315 (30-52V) or C163030-0316 (30-52V) or when equipped with Cleveland conversion kit 199-60A	MCBB-KT-3
P210R	All	C163030-0901 (30-127) or C163030-0902 (30-127)	MCBB-KT-3
T210F,G,H,J,K	All		MCBB-KT-1
T210L,M	All	C163030-0303 (30-52) or when equipped with Cleveland conversion kit 199-60	MCBB-KT-1
	21060090 thru 21062954	C163032-205 (30-52U) or C163032-206 (D30118-4)	MCBB-KT-5
	21062955 thru 21063114	121494-3 or 121494-4	MCBB-KT-2
T210N	21063115 thru 21064135	C163030-0315 (30-52V), C163030-0316 (30-52V), 30-05220, or 30-05270	MCBB-KT-3
	21064136 thru 21065009		MCBB-KT-3
	All	C163032-209 or C163032-210	MCBB-KT-5
310, 310B,C,D,F,G,H,I,J,J-1,K,L,N,P,Q	All	Only for use with Cleveland conversion kit 199-64	MCBB-KT-2
E310H,J	All	Only for use with Cleveland conversion kit 199-64	MCBB-KT-2
T310P,Q	All	Only for use with Cleveland conversion kit 199-64	MCBB-KT-2
320, 320-1, 320A,B,C,D,E,F	All	Only for use with Cleveland conversion kit 199-64	MCBB-KT-2
336	All		MCBB-KT-1
337E,F, F337E,F, FT337E,F, T337E,F	All		MCBB-KT-1
310R, T310R	All		MCBB-KT-2
335	All		MCBB-KT-2
340, 340A	All		MCBB-KT-2
401, 401A,B	All	Only for use with Cleveland conversion kit 199-72 or 199-76	MCBB-KT-2
402, 402A,B	All	Only for use with Cleveland conversion kit 199-72 or 199-76	MCBB-KT-2
402C	All		MCBB-KT-2
404	All	Only for use with Cleveland conversion kit 199-78	MCBB-KT-2
411, 411A	All		MCBB-KT-2
414, 414A	All		MCBB-KT-2
421	All	Only for use with Cleveland conversion kit 199-76	MCBB-KT-2
421C	All		MCBB-KT-2
441	All	Only for use with Cleveland conversion kit 199-115	MCBB-KT-2
500, 501	All	91891-003 (030-18902 formerly 30-189B) or when equipped with Cleveland conversion kit 199-60	MCBB-KT-4
550, 551	All	030-18902 formerly 30-189B or when equipped with Cleveland conversion kit 199-60	MCBB-KT-4
S550	All	Only for use with Cleveland conversion kit 199-177	MCBB-KT-4

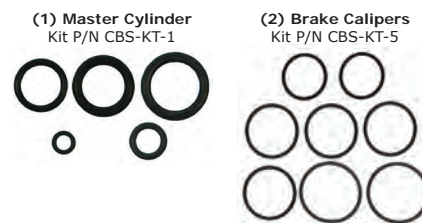
Brake Assembly and Master Cylinder Seal Kits for Cessna Aircraft

Save time and \$\$\$! Kits contain the parts you need for a wide range of Cessna aircraft.

McFarlane has done the research so you don't have to. Now buy one kit per brake assembly or master cylinder and get the right seals for the job without wasting money on expensive parts you don't need.

All parts are standard industry spec hardware with full traceability or Cessna original parts with 8130-3 tags.

- Expanded eligibility (188 thru 210, 337 and Caravan models)
- McFarlane original kit
- One kit per two brake calipers or one master cylinder
- Approved parts



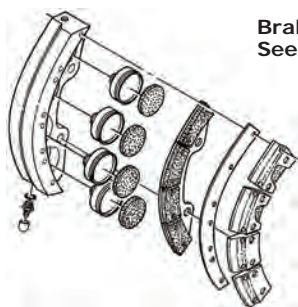
Note: Master cylinder kit does not include Lock-o-Seal.

Aircraft Model	Serial Number	Master Cylinder Seal Kits				Brake Caliper Seal Kits	
		CBS-KT-1	CBS-KT-2	CBS-KT-3	CBS-KT-4	CBS-KT-5	CBS-KT-6
120, 140	All						
150, 150A,B,C,D,E,F,G,H,J,K,L,M	All	•					
F150F,G,H,J,K,L,M, FA150K,L,M, FRA150L,M	All	•					
A-150L, A-150L, A150K,L,M	All	•					
152, A152, F152,FA152	All	•					
170, 170A	All				•		
170B	All	•					
172, 172A,B,C,D,E,F,G,H,I,K,L,M,N	28000 thru 17271034	•					
172N,P,Q	17271035 and On		•				
F172D,E,F,G,H,K,L,M,N	F172-0001 thru F17201749	•					
F172N,P	F17201750 thru F17202254		•				
R172K	R1722000 thru R1722929	•					
FR172E,F,G,H,J	All	•					
FR172K	FR17200591 thru FR17200630 FR17200631 thru FR17200675	•	•				
R172E,F,G,H	All	•					
175, 175A,B,C	All	•					
177, 177A,B	All	•					
177RG	All	•	•	•			
180, 180A,B,C,D,E,F,G,H,J,K	30000 thru 18053000	•					
180K	18053001 and On	•	•				
182, 182A,B,C,D,E,F,G,H,I,K,L,M,N,P,Q	33000 thru 18266590	•					
182Q,R,S,T	18266591 and On		•				
F182P,Q	F18200001 thru F18200094	•					
F182Q	F18200095 and On		•				
FR182	FR18200001 thru FR18200020 FR18200021 thru FR18000070	•					
T182, T182T, TR182	All	•	•				
185, 185A,B,C,D,E, A185E,F	185-0001 thru 18503683	•					
A185F	18503684 and On	•					
188, 188A,B, A188, A188A,B	188-0001 thru 18803296	•					
A188B	18803297 and On	•	•				
A188B (w/ large hopper)	18800833T thru 18803296T 18803297T and On	•	•				
206, U206, U206A,B,C,D,E,F,G, TU206A,B,C,D,E,F,G	All	•					
P206, P206A,B,C,D,E, TP206A,B,C,D,E	All		•				
206H, T2006H	All			•			
208, 208B	All			•			
210, 210A,B	All	•					
210C,D,E,F,G,H,I,K,L,M, T210F,G,H,I,K,L,M	All	•					
210N,R, T210N,R	All		•				
337, 337A,B,C,D,E,F,G,H	337-0002 thru 33701874	•					
337H	33701875 and On		•				
T337B,C,D	All	•					

Kit P/N	Kit Type	Qty	Component P/N	Description
CBS-KT-1	Master Cylinder Seal Kit	1	MS28775-110	O-ring
		1	MS28775-111	O-ring
		1	MS28775-009	O-ring
		1	MS28778-4	O-ring
		1	800-001-6	Lock-O-Seal
CBS-KT-2	Master Cylinder Seal Kit	1	MS28775-110	O-ring
		1	S1628-110	Backup Ring
CBS-KT-3	Master Cylinder Seal Kit	1	MS28775-112	O-ring
		1	MS28775-110	O-ring
		1	MS28775-016	O-ring
		1	S1628-110	Backup Ring
CBS-KT-4	Master Cylinder Seal Kit	1	600-0115-6	Stat-O-Seal
		1	MS28775-012	O-ring
CBS-KT-5	Brake Assembly Seal Kit	2	MS28775-224	O-ring
		2	MS28775-218	O-ring
		4	MS28775-222	O-ring
CBS-KT-6	Brake Assembly Seal Kit	1	MS28775-225	O-ring
		1	MS28775-327	O-ring
		1	MS28775-224	O-ring
		1	MS28775-222	O-ring



1 Partial model eligibility
 2 Use this kit when NOT equipped with master cylinder assembly P/N 9882010-1
 3 Use this kit when equipped with master cylinder assembly P/N 9882010-1
 4 CBS-KT-5 contains eight O-rings that replace the O-rings in both brake calipers



Brake assembly and master cylinder seal kits for Caravan brakes. See complete Caravan section on pages 327-339.



FAA-PMA Approved

NEW

Seat Rails for 205-207 aircraft!



Seat Rails and Seat Parts

Seat Rails for Cessna Aircraft

- Carefully engineered with many improvements
- Increased strength and longer life
- Anodized for corrosion and wear resistance
- Easier installation
- Full interchangeability with the original Cessna parts

No Pre-Drilled Rivet Holes for Precise Installation

McFarlane seat rails do not have pre-drilled rivet holes in the rail base allowing the installer to exactly match the aircraft floor rivet pattern. McFarlane discovered while installing and developing our replacement seat rails that the seat rail attachment hole pattern was not consistent from aircraft to aircraft. Even small inconsistencies in the hole locations in the aircraft floor make installation of new seat rails very difficult. For this reason, McFarlane does not pre-drill rivet holes at the factory. (Existing stock may have a few pilot attachment holes drilled at the factory.) This allows the installer to precisely locate the attachment holes to match the holes in the aircraft floor. All special sized or machined attachment holes are machined to finish dimensions. It is necessary to replace all fasteners when the seat rails are installed.

Installation Tip:
The aircraft floor is subject to corrosion from moisture under the seat rails. Be sure to remove and treat any corrosion before installing the new seat rails.

More Material in the Right Places

After studying countless worn and failed seat rails McFarlane's rails were designed with 15% more metal in critical areas. The result is more crack resistance, durability, strength and longer life.



Model	Serial Number	Inboard LH	Outboard LH	Outboard RH	Inboard RH	Template
150A,B,C,D,E,F	15059019 thru 15063059	MC0411545-2	MC0411545-1 2	MC0411545-1 2	MC0411545-2	
150F	15063060 thru 15063735	MC0411545-4	MC0411545-3 2	MC0411545-3 2	MC0411545-4	
150F,G,H,J,K,L	15063736 thru 15072628	MC0410219-2	MC0410219-1 2	MC0410219-1 2	MC0410219-2	
150L	15072629 thru 15073658	MC0410230-2	MC0410230-3 2	MC0410230-2	MC0410230-3	
150L,150M	15073659 thru 15079405	MC0410235-6 2	MC0410235-1	MC0410235-1	MC0410235-6 2	
A150K,L	A1500001 thru A1500276	MC0410219-2	MC0410219-1 2	MC0410219-1 2	MC0410219-2	
A150L	A1500277 thru A1500342	MC0410230-2	MC0410230-3 2	MC0410230-2	MC0410230-3	
A150L,T,M	A1500343 thru A1500734	MC0410235-6 2	MC0410235-1	MC0410235-1	MC0410235-6 2	
F150F	F1500001 thru F1500029	MC0411545-2	MC0411545-1 2	MC0411545-1 2	MC0411545-2	
F150F	F1500030 thru F1500067	MC0411545-4	MC0411545-3 2	MC0411545-3 2	MC0411545-4	
F150G,H,J,K,L	F1500068 thru F15000738	MC0410219-2	MC0410219-1 2	MC0410219-1 2	MC0410219-2	
F150L	F15000739 thru F15000863	MC0410230-2	MC0410230-3 2	MC0410230-2	MC0410230-3	
F150L,T,M	F15000864 thru F15001428	MC0410235-6 2	MC0410235-1	MC0410235-1	MC0410235-6 2	
FA150K,L	FA1500001 thru FA1500120	MC0410219-2	MC0410219-1 2	MC0410219-1 2	MC0410219-2	
FRA150L	FRA1500121 thru FRA1500166	MC0410219-2	MC0410219-1 2	MC0410219-1 2	MC0410219-2	
FRA150L,T,M	FRA1500167 thru FRA1500336	MC0410235-6 2	MC0410235-1	MC0410235-1	MC0410235-6 2	
152	15279406 thru 15286033	MC0410235-6 2	MC0410235-1	MC0410235-1	MC0410235-6 2	
A152	A1520735 thru A1521049	MC0410235-6 2	MC0410235-1	MC0410235-1	MC0410235-6 2	
F152	F15201429 thru F15201980	MC0410235-6 2	MC0410235-1	MC0410235-1	MC0410235-6 2	
FA152	FA1520337 thru FA1520425	MC0410235-6 2	MC0410235-1	MC0410235-1	MC0410235-6 2	
170, 170A,B	18000 thru 27169	MC0511000-14	MC0511000-15 2	MC0511000-14	MC0511000-15 2	SRTEM1
172, 172A,B,C	28000 thru 17249544	MC0511293-1	MC0511293-3 2	MC0511293-4	MC0511293-2	SRTEM1
172D,E	17249545 thru 17251822	MC0511240-4	MC0511240-2 2	MC0511240-3	MC0511240-6 2	SRTEM2
172F,G,H,I,K	17251823 thru 17258656	MC0511240-5	MC0511240-2 2	MC0511240-3	MC0511240-6 2	SRTEM2
172K	17258657 thru 17259223	MC0511240-9	MC0511240-7 2	MC0511240-8	MC0511240-10 2	SRTEM2
172L	17259224 thru 17260758	MC0511240-15	MC0511240-11 2	MC0511240-12	MC0511240-14 2	SRTEM2
172M,N	17260759 thru 17272884	MC0511243-4 2	MC0511243-5 2	MC0511243-6 2	MC0511243-4 2	SRTEM2
172N,P,Q	17272885 thru 17276516	MC2414002-2 2	MC2414002-1 2	MC2414002-2 2	MC2414002-1 2	SRTEM2
172P	17276517 thru 17276654	MC0514209-4 2	MC0514209-1 2	MC0514209-2 2	MC0514209-3 2	SRTEM2
NOTE: Cessna Parts Manual has the location reversed on P/N 0514209-3 & 0514209-4. The information contained here has been verified to be correct.						
172RG	172RG0001 thru 172RG1191	MC2414002-2 2	MC2414002-1 2	MC2414002-2 2	MC2414002-1 2	SRTEM2
F172D,E	F1720001 thru F1720085	MC0511240-4	MC0511240-2 2	MC0511240-3	MC0511240-6 2	SRTEM2
F172F,G,H	F1720086 thru F17200739	MC0511240-5	MC0511240-2 2	MC0511240-3	MC0511240-6 2	SRTEM2
F172H	F17200740 thru F17200754	MC0511240-9	MC0511240-7 2	MC0511240-8	MC0511240-10 2	SRTEM2
F172K,L	F17200755 thru F17200904	MC0511240-15	MC0511240-11 2	MC0511240-12	MC0511240-14 2	SRTEM2
F172M,N	F17200905 thru F17201909	MC0511243-4 2	MC0511243-5 2	MC0511243-6 2	MC0511243-4 2	SRTEM2
F172N,P	F17201910 thru F17202238	MC2414002-2 2	MC2414002-1 2	MC2414002-2 2	MC2414002-1 2	SRTEM2
F172P	F17202239 thru F17202254	MC0514209-4 2	MC0514209-1 2	MC0514209-2 2	MC0514209-3 2	SRTEM2
NOTE: Cessna Parts Manual has the location reversed on P/N 0514209-3 & 0514209-4. The information contained here has been verified to be correct.						
FP172	FP1720001 thru FP1720003	MC0511240-4	MC0511240-2 2	MC0511240-3	MC0511240-6 2	SRTEM2
FR172E,F,G	FR1720001 thru FR17200190	MC0511240-5	MC0511240-2 2	MC0511240-3	MC0511240-6 2	SRTEM2
FR172G	FR17200191 thru FR17200225	MC0511240-9	MC0511240-7 2	MC0511240-8	MC0511240-10 2	SRTEM2
FR172H	FR17200226 thru FR17200350	MC0511240-15	MC0511240-11 2	MC0511240-12	MC0511240-14 2	SRTEM2
FR172J,K	FR17200351 thru FR17200655	MC0511243-4 2	MC0511243-5 2	MC0511243-6 2	MC0511243-4 2	SRTEM2
NOTE: Cessna Parts Manual has the location reversed on P/N 0511243-5 & 0511243-6. The information contained here has been verified to be correct.						
FR172K	FR17200656 thru FR17200675	MC2414002-2 2	MC2414002-1 2	MC2414002-2 2	MC2414002-1 2	SRTEM2
P172	P17257120 thru P17257188	MC0511240-4	MC0511240-2 2	MC0511240-3	MC0511240-6 2	SRTEM2
R172K	R1722000 thru R1723199	MC0511243-4 2	MC0511243-5 2	MC0511243-6 2	MC0511243-4 2	SRTEM2
R172K	R1723200 thru R1723454	MC2414002-2 2	MC2414002-1 2	MC2414002-2 2	MC2414002-1 2	SRTEM2
175	55001 thru 56777	MC0511293-1	MC0511293-3 2	MC0511293-4	MC0511293-2 2	SRTEM1
175A,B,C	17556778 thru 17557119	MC0511293-1	MC0511293-3 2	MC0511293-4	MC0511293-2 2	SRTEM1
177,A,B	17700001 thru 17701636	MC1711015-3	MC1711015-1 2	MC1711015-2	MC1711015-4 2	SRTEM3
177B	17701637 thru 17702752	MC1711015-9 2	MC1711015-7 2	MC1711015-8 2	MC1711015-10 2	SRTEM3
177RG	177RG0105 thru 177RG01366	MC2011015-9 2	MC2011015-5 2	MC2011015-10 2	MC2011015-8 2	SRTEM3
F177RG	F177RG0007 thru F177RG0177	MC2011015-9 2	MC2011015-5 2	MC2011015-10 2	MC2011015-8 2	SRTEM3
180, 180A,B,C,D,E,F	30000 thru 18051312	MC0511000-14	MC0511000-15 2	MC0511000-14	MC0511000-64 2	SRTEM1
180G,H	18051313 thru 18051490	MC0511000-68	MC0511000-69 2	MC0511000-68	MC0511000-70 2	SRTEM1
180H	18051491 thru 18052103	MC0711693-1	MC0711693-2 2	MC0711693-1	MC0711693-2 2	SRTEM1
180H	18052104 thru 18052215	MC0711693-1	MC0711693-4 2	MC0711693-1	MC0711693-4 2	SRTEM1
180H,J	18052216 thru 18052500	MC0711693-8	MC0711693-6 2	MC0711693-8	MC0711693-6 2	SRTEM1
180J	18052501 thru 18052620	MC0711693-8	MC0711693-7 2	MC0711693-8	MC0711693-7 2	SRTEM1
180J,K	18052621 thru 18053203	MC0711693-9 2	MC0711693-11 2	MC0711693-10 2	MC0711693-7 2	SRTEM1

1 Partial model eligibility
2 These rails have seat adjust holes

Eligibility continued on next page



Seat Rails and Seat Parts



FAA-PMA Approved

New! Seat Rails for Cessna 205, 206 and 207 Aircraft

- 34 new part numbers for the center and rear locations
- Includes rails for aircraft with cameras and club seating
- With many seat configurations, McFarlane has the rails!



Seat Rails and Seat Parts

Model	Serial Number	Inboard LH	Outboard LH	Outboard RH	Inboard RH	Template
182, 182A,B,C,D	33000 thru 18253598	MC0511293-1	MC0511293-3 2	MC0511293-4	MC0511293-2 2	SRTEM1
182E,F,G,H,J,K,L,M,N1	18253599 thru 18260445	MC0710618-1	MC0710618-5 2	MC0710618-4	MC0710618-6 2	SRTEM1
182N1,P,Q,R/T182	18260446 thru 18268615	MC0710658-2 2	MC0710658-2 2	MC0710658-2 2	MC0710658-2 2	SRTEM1
A182J,K,L,M,N	A1820001 thru A1820148	MC0710618-1	MC0710618-5 2	MC0710618-4	MC0710618-6 2	SRTEM1
F182P,Q	F18200001 thru F18200169	MC0710658-2 2	MC0710658-2 2	MC0710658-2 2	MC0710658-2 2	SRTEM1
F182RG	FR18200001 thru FR18200070	MC0710658-2 2	MC0710658-2 2	MC0710658-2 2	MC0710658-2 2	SRTEM1
R182/TR182	R18200001 thru R18202041	MC0710658-2 2	MC0710658-2 2	MC0710658-2 2	MC0710658-2 2	SRTEM1
185,A,B,C,D1	1850001 thru 1850806	MC0511000-68	MC0511000-69 2	MC0511000-68	MC0511000-70 2	SRTEM1
185D1,E,A185E1	1850807 thru 18501599	MC0711693-1	MC0711693-2 2	MC0711693-1	MC0711693-2 2	SRTEM1
A185E1	18501600 thru 18501954	MC0711693-1	MC0711693-4 2	MC0711693-1	MC0711693-4 2	SRTEM1
A185E1, A185F1	18501955 thru 18502565	MC0711693-8	MC0711693-6 2	MC0711693-8	MC0711693-6 2	SRTEM1
A185F1	18502566 thru 18502838	MC0711693-8	MC0711693-7 2	MC0711693-8	MC0711693-7 2	SRTEM1
A185F1	18502839 thru 18504448	MC0711693-9 2	MC0711693-11 2	MC0711693-10 2	MC0711693-7 2	SRTEM1
A188B	18800944 thru 18803968T		Left- MC1613423-3 2		Right-MC1613423-3 2	SRTEM1
T188C	T18803307T thru T18803968T		Left- MC1613423-3 2		Right-MC1613423-3 2	SRTEM1
190, 195	7001 thru 7999	MC0311715-4 2	MC0311715-3 2	MC0311715-3 2	MC0311715-4 2	SRTEM1
190, 195	16000 thru 16183	MC0311715-4 2	MC0311715-3 2	MC0311715-3 2	MC0311715-4 2	SRTEM1
New! 210-5 (205), 210-5A (205A)	All	MC1210408-1 (Center) MC1211642-5	MC1210408-5 2 (Center) MC1211642-3	MC1210408-4 (Center) MC1211642-4	MC1210408-6 2 (Center) MC1211642-8	SRTEM1
New! 206	2060001 thru 2060275	MC1210408-1 (Center) MC1211642-5	MC1210408-5 2 (Center) MC1211642-3	MC1210408-8 (Center) MC1211657-1	MC1210408-6 2 (Center) MC1211642-8 (Rear Fwd Aft) MC1211671-1	SRTEM1
New! U206, U206A,B,C,D TU206A,B,C,D	U206-0276 thru U206-1444	MC1210408-1 (Center) MC1211642-5	MC1210408-5 2 (Center) MC1211642-3	MC1210408-8 (Center) MC1211657-1 (Rear Fwd Aft) MC1211671-1	MC1210408-6 2 (Center) MC1211642-8	SRTEM1
New! P206A,B,C,D TP206A,B,C,D	All	MC1210408-1 (Center) MC1211642-5	MC1210408-5 2 (Center) MC1211642-3	MC1210408-4 (Center) MC1211642-4	MC1210408-6 2 (Center) MC1211642-8	SRTEM1
New! U206E1, TU206E1	U20601445 thru U20601587	MC1210408-1 (Center) MC1211642-5	MC1210408-5 2 Not available	MC1210408-8 (Center) MC1211657-1	MC1210408-6 2 (Center) MC1211642-8	SRTEM1
	U20601588 thru U20601604	Not available (Center) MC1211642-5	MC1210408-21 2 Not available	MC1210408-14 (Center) MC1211657-1	MC1210408-12 2 (Center) MC1211642-8	SRTEM1
	U20601605 thru U20601618 and U2061633	Not available (Center) MC1211642-11 (Rear) MC1211782-7	MC1210408-21 2 (Center) MC1211642-13 (Rear) MC1211783-3	MC1210408-14 (Center) MC1211657-2 (Rear) MC1211785-2	MC1210408-12 2 (Center) MC1211642-12 (Rear) MC1211782-8	SRTEM1
	U20601619 thru U20601632	Not available (Center) MC1211642-5	MC1210408-21 2 Not available	MC1210408-14 (Center) MC1211657-1	MC1210408-12 2 (Center) MC1211642-8	SRTEM1
	U20601634 thru U20601700	Not available (Center) MC1211642-5	MC1210408-21 2 (Center) MC1211642-13	MC1210408-14 Not available	MC1210408-12 2 Not available	SRTEM1
	New! P206E, TP206E	All	MC1210408-1 (Center) MC1211642-5	MC1210408-5 2 Not available	MC1210408-4 Not available	MC1210408-6 2 (Center) MC1211642-8
New! U206F, TU206F	U20601701 thru U2063521	Not available (Center) MC1211642-11 (Rear) MC1211782-7	MC1210408-21 2 (Center, Includes Camera) MC1211642-13 (Rear, Includes Camera) MC1211783-3	MC1210408-14 (Center) MC1211657-2 (Rear, Includes Camera) MC1211785-2	MC1210408-12 2 (Center) MC1211642-12 (Rear) MC1211782-8	SRTEM1
		U20603522 thru U20604120 U20604122 thru U20604133 U20604135 thru U20604137 U20604139 thru U20604146 U20604149 thru U20604151 U20604155 thru U20604157 U20604159 thru U20604160 U20604162 thru U20604171 U20604173 thru U20604176 U20604178 thru U20604179 U20604181 thru U20604183 U20604185	MC1210408-18 2 (Center) MC1211642-11 (Rear) MC1211782-7	MC1210408-21 2 (Center, Includes Camera) MC1211642-13 (Rear, Includes Camera) MC1211783-3	MC1210408-17 2 (Center, Includes Camera) MC1211657-2 (Rear, Includes Camera) MC1211785-2	MC1210408-12 2 (Center) MC1211642-12 (Rear) MC1211782-8
New! U206G1, TU206G1	U20604186 thru U20604188 U20604191 thru U20604199	MC1210408-18 2 Not available Not available	MC1210408-21 2 (Center, Includes Camera) MC1211642-13 (Rear, Includes Camera) MC1211783-3	MC1210408-17 2 Not available (Rear, Includes Camera) MC1211785-2	MC1210408-12 2 Not available Not available	SRTEM1
	U20604121, U20604134 U20604138 U20604147 thru U20604148 U20604152 thru U20604154 U20604158, U20604161 U20604184 U20604189 thru U20604190 U20604200 thru U20605309	MC1210408-18 2 (Center) MC1211871-3 (Rear, Includes Club) MC1211875-3	MC1210408-21 2 (Center, Includes Camera) MC1211871-1 (Rear, Includes Camera) MC1211875-1	MC1210408-17 2 (Center, Includes Camera) MC1211871-2 (Rear, Includes Camera) MC1211875-2	MC1210408-12 2 (Center) MC1211871-4 (Rear, Includes Club) MC1211875-4	SRTEM1
	U20604172, U20604177, U20604180	MC1210408-18 2 Not available (Rear, Includes Club) MC1211875-3	MC1210408-21 2 (Center, Includes Camera) MC1211871-1 (Rear, Includes Camera) MC1211875-1	MC1210408-17 2 (Center, Includes Camera) MC1211871-2 (Rear, Includes Camera) MC1211875-2	MC1210408-12 2 Not available (Rear, Includes Club) MC1211875-4	SRTEM1
	U20605310 thru U20607020	MC1210408-24 2 (Center) MC1211871-3 (Rear, Includes Club) MC1211875-13	MC1210408-21 2 (Center, Includes Camera) MC1211871-1 (Rear, Includes Camera) MC1211875-11	MC1210408-23 2 (Center, Includes Camera) MC1211871-2 (Rear, Includes Camera) MC1211875-12	MC1210408-12 2 (Center) MC1211871-4 (Rear, Includes Club) MC1211875-14	SRTEM1

1 Partial model eligibility
2 These rails have seat adjust holes

Eligibility continued on next page



FAA-PMA Approved

Seat Rails and Seat Parts

Eligibility continued from previous page

Model	Serial Number	Inboard LH	Outboard LH	Outboard RH	Inboard RH	Template
207 ¹ , T207 ¹	20700001 thru 20700215	MC1210408-1	MC1210408-9 ²	Not Available	MC1210408-6 ²	SRTEM1
New! 207 ¹ , T207, 207A ¹ , T207A ¹	20700216 thru 20700562	MC1210408-18 ²	MC1210408-15 ²	MC1210408-16 ²	MC1210408-12 ²	SRTEM1
		(Center) MC1212863-7	(Center, Includes Camera) MC1212863-9	(Center Includes Camera) MC1212,863-6	(Center) MC1212863-8	SRTEM4
		(Rear Inboard) MC1211782-7	(Rear Outboard, Includes Camera) MC1211783-3	(Rear Inboard) MC1211782-7		
New! 207A ¹ , T207A ¹	20700563 thru 20700788	MC1210408-24 ²	MC1210408-15 ²	MC1210408-22 ²	MC1210408-12 ²	SRTEM1
		(Center) MC1212863-13	(Center, Includes Camera) MC1212863-11	(Center, Includes Camera) MC1212863-10	(Center) MC1212863-12	SRTEM4
		(Rear) MC1211875-13	(Rear) MC1211875-11	(Rear) MC1211875-12	(Rear) MC1211875-14	SRTEM1
210, 210A	21057001 thru 21057840	Not Available	MC1210025-3 ²	Not Available	MC1210025-2 ²	SRTEM1
210B,C,D,E,F,G,H,J	21057841 thru 21059199	MC1210408-1	MC1210408-5 ²	MC1210408-4	MC1210408-6 ²	SRTEM1
210K,L ¹ /T210K,L ¹	21059200 thru 21060539	Fwd MC1210520-11 ² Removable MC1210520-3	Fwd MC1210520-9 ²	Fwd MC1210520-12 ²	Fwd MC1210520-2 ² Removable MC1210520-4 ²	SRTEM1
210L ¹ ,M/T210L ¹ ,M	21060540 thru 21062954	Fwd MC1210520-11 ² Removable MC1210520-3	Fwd MC1211514-1 ²	Fwd MC1211514-1 ²	Fwd MC1210520-2 ² Removable MC1210520-4 ²	SRTEM1
210N,R/T210N,R	21062955 thru 21065009	Fwd MC1210520-15 ²	Fwd MC1211514-2 ²	Fwd MC1211514-2 ²	Fwd MC1210520-16 ²	SRTEM1/3
P210N ¹	P21000001 thru P21000150	Fwd MC1210520-11 ² Removable MC1210520-3	Fwd MC1211514-1 ²	Fwd MC1211514-1 ²	Fwd MC1210520-2 ² Removable MC1210520-4 ²	SRTEM1
P210N ¹ ,R	P21000151 thru P21000874	Fwd MC1210520-15 ²	Fwd MC1211514-2 ²	Fwd MC1211514-2 ²	Fwd MC1210520-16 ²	SRTEM1/3
T210F,G,H,J	T2100001 thru T2100454	MC1210408-1	MC1210408-5 ²	MC1210408-4	MC1210408-6 ²	SRTEM1
305A,B,C,D,E,F	All	Front Seat Left-MC0611134-3 ²		Front Seat Right-MC0611134-2 ²		SRTEM1
Most 310 and 320	Cessna Manufactured	Left-0812200-125		Right-0812200-126		SRTEM1

¹ Partial model eligibility
² These rails have seat adjust holes

Templates for Cessna Seat Rails

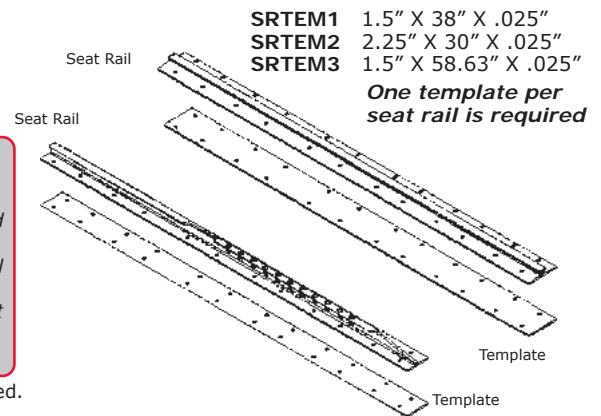
Templates make the job of transferring the original rivet hole pattern from the old seat rail to the new seat rail easy!

- Inexpensive
- Achieve a precise fit every time

To use the templates:

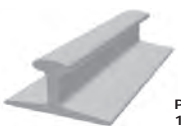
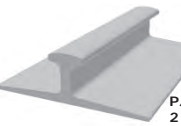

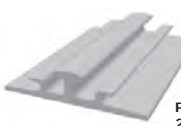
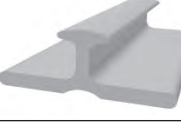





1. Clamp the template to your old seat rail.
2. Drill holes through the holes in the old seat rail into the template.
3. Clamp the template to the new seat rail and drill several holes through the template and new seat rail.
4. Set the new seat rail in position in the aircraft and check for proper seat rail alignment. The seat rails must be properly aligned and parallel with each other.
5. Clamp the templates again to the new seat rail and make any required alignment adjustments discovered during the aircraft test installation.
6. Drill all of the required holes through the template and the new seat rail.

Models 150-152 and 190-195 do not require templates as the screw holes are pre-drilled. See seat rail eligibility for the template for your seat rails.



Seat Rail Extrusion

Ideal for the home built aircraft! For custom projects McFarlane offers eight design types. Blank extrusion can be cut to most any length and is sold by the inch. We can also custom machine to your specifications.

 P/N STE101 1 1/2" X 7/10" X 1/2"	 P/N STE102 2 3/10" X 7/10" X 1/2"	 P/N STE103 1 1/2" X 1/2" X 1/2"	 P/N STE104 2 3/10" X 1/2" X 1/2"
 P/N STE108 1 3/4" X 5/8" X 1/2"	 P/N STE109 2 3/10" X 3/4" X 1"	 P/N STE105 1.34" X 0.37"	 P/N 6656 1.34" X 0.37"
 P/N STES2343-1 1 1/2" X 15/16" X 5/8"	 P/N STES2617-1 2 5/8" X 1 1/8" X 1 1/4"		

Crew Rails and Cargo Tracks for Cessna Caravan

The manufacturing leader of seat rails now has FAA-PMA approval on rails and tracks for 208 series aircraft!



- FAA-PMA direct replacements
- Improved thickness and stability
- Fits all Cessna 208/208B aircraft
- Anodized for superior wear and corrosion resistance
- Polyurethane undercoating for optimal corrosion resistance

With two versions available, drilled or undrilled, McFarlane seat rails will meet your needs. McFarlane offers the Seat Rails with the rivet holes drilled in the bottom flange, and in an "S" suffix part number which has the rivet holes in the flange omitted. This undrilled version allows for easier installation in a replacement part situation as it allows the installer to match drill the original holes from the frame/aircraft to the seat rail.

Example P/N MC2601088-1 (drilled) and P/N MC2601088-1S (undrilled).

See eligibility in the Caravan section on page 339.



Seat Rail Rivet and Screw Kits

McFarlane offers either rivets or screws as convenient kits containing AN and MS hardware. Since it is difficult to install many of the rivets required to attach the seat rail, it is permissible to substitute screws with ultimate tensile strength exceeding 50 ksi with lock nuts provided the holes are ream fit and spotfaced. Each kit contains enough rivets or screws to install four seat rails. These kits do not contain all required hardware for Cessna model 177 seat rails.

Installation hardware items are also available separately.



SR150-SCREW-KT

Contains #10 screws and hardware required for all Cessna 150/152 models

Qty	Part Number	Desc.	Size
40	MS27039-1-08	Screw	10-32 X .531
2	MS27039-1-09	Screw	10-32 X .594
2	MS27039-1-17	Screw	10-32 X 1.094
40	MS21044N3	Nut	Nylon Lock, 10-32

SR6-SCREW-KT

Contains #6 and #8 screws and hardware

Qty	Part Number	Desc.	Size
140	MS35206-229	Screw	6-32 X .438
16	MS35206-230	Screw	6-32 X .5
12	MS27039-0811	Screw	8-32 X .719
12	MS27039-0812	Screw	8-32 X .781
12	MS27039-0813	Screw	8-32 X .844
12	MS27039-0814	Screw	8-32 X .906
35	NAS21042-08	Nut	Small Wrench Surface
80	NAS21042-06	Nut	Small Wrench Surface
80	MS21044N06	Nut	Nylon Lock, 6-32
200	AN960-6L	Washer	#6 Thin
100	AN960-8L	Washer	#8 Thin

SR8-SCREW-KT

Contains #8 screws and hardware

Qty	Part Number	Desc.	Size
140	MS27039-0808	Screw	8-32 X .531
12	MS27039-0809	Screw	8-32 X .594
12	MS27039-0810	Screw	8-32 X .656
12	MS27039-0811	Screw	8-32 X .719
12	MS27039-0812	Screw	8-32 X .781
12	MS27039-0813	Screw	8-32 X .844
12	MS27039-0814	Screw	8-32 X .906
80	NAS21042-08	Nut	Small Wrench Surface
80	MS21044N08	Nut	Nylon Lock, 8-32
200	AN960-8L	Washer	#8 Thin

Manufactured by F Atlee Dodge

FAA General Aviation Airworthiness Information Bulletin CE-90-03R2, 08/26/2002 Original Issue 01/16/1991

This alert gives direction for the replacement of seat rails for most Cessna airplanes as required by AD 87-20-03R2. It advises all owners and operators of the necessity to install all required fasteners when seat rails are being replaced.

Many seat rails are manufactured with pilot holes only and do not contain all holes required for installation of the seat rail in the airplane. It is, therefore, necessary for the installer to assure that there are sufficient holes to accommodate all required fasteners.

Note these recommendations:

- When replacing a seat rail, note the number and location of all fastener holes on the seat rail being removed.
- Match these holes against the holes in the replacement seat rail. If the replacement seat rail does not have all of the same holes at the same locations, they must be drilled.
- Since it is difficult to install many of the rivets required to attach the seat rail, it is permissible to substitute screws with ultimate tensile strength exceeding 50 ksi.

Example of such screws are AN515, AN520, AN525, MS35206, MS35207, MS35214, MS35215, MS35218, MS35219, MS51957 or MS51958 with lock nuts, provided the holes are ream fit and spotfaced.

For further information contact your local FAA office.

RIVET KIT 1

1/8 & 5/32 Universal Head Rivet Kit

Qty	U/M	Part Number
22	Grams	MS20470 AD4-5
11	Grams	MS20470 AD4-6
14	Grams	MS20470 AD4-7
6	Grams	MS20470 AD4-10
6	Grams	MS20470 AD4-12
18	Grams	MS20470 AD5-5
13	Grams	MS20470 AD5-6
13	Grams	MS20470 AD5-7
10	Grams	MS20470 AD5-10
10	Grams	MS20470 AD5-12

Spotface Kit

Now modified for rail cap clearance!

Kit P/N SPOTFACE KIT

Contains a tool used with an electric drill to make a flat spot for screws. Cutter comes with three pilots.

Components sold as a kit or separately by part number.

P/N SPOTFACE KIT Contains:

Cutter	P/N 6080
1/8" Pilot	P/N 6078
5/32" Pilot	P/N 6076
3/16" Pilot	P/N 6077
Pouch	P/N 6090



Cargo Tie Downs

Secure your cargo

P/N TDC-208

Cessna 208 and 208B aircraft

Clamps to seat rails to provide tie down points to secure cargo.

- FAA-PMA approved
- 4 required for every 100 lbs of cargo
- Anodized aluminum for durability



Note: This product is not to be used as a seat stop.

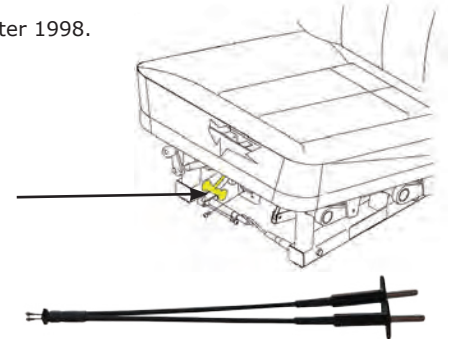
Manufactured by F Atlee Dodge

Seat Release Cable Assembly for Cessna Aircraft

FAA-PMA approved, improved design for long life!

MCSPL1925-1 is used to lock the pilot and co-pilot seat into place on Cessna aircraft produced after 1998.

- Lifetime anodized aluminum housing — not cheap plastic
- Cable terminal provides a minimum capacity increase of over 115% from OEM cable
- Nylon-lined wire conduit tubing ensures your cable will not bind
- Larger cable
- Repairable
- Save \$\$\$



Repair assemblies available! Save \$\$\$
P/N 7354

Aircraft Model	Qty per A/C
172R,S	2
182S,T,182T	2
206H	2
T206H	2

Folding Rear Seats

Convert from people to cargo in just a few minutes!

Left P/N 3187L, Right P/N 3187R

See page 324 for additional information

Aircraft Model
170, 170A,B
172 thru 172S
175, 175A,B,C
180, 180A,B,C,D,E,F,G,H,J,K
182 thru 182T
185, 185A,B,C,D,E,A185E,A185F

20 Pounds Lighter!



Manufactured by F Atlee Dodge

Safari Seat for PA-18, PA-19 Series

P/N 6151

Easily installed and removed

Clamps in and designed for easy removal with quick release pins.

Weight saver

Lightweight folding rear seat saves 10 pounds over existing seat.
STC-PMA



Saves 10 Pounds!

Manufactured by F Atlee Dodge

Heavy Duty Seat Back Frame

10 oz. heavier with less tendency to wear out!

P/N 3226

206 Series aircraft, see page 324 for additional information.



Manufactured by F Atlee Dodge

Folding Front Seat Kit for PA-18, PA-19 Series

Makes entry and loading much easier

P/N 3186

FAA-PMA/STC



Manufactured by F Atlee Dodge

Seat Feet for Beechcraft Queen Air, King Air and Airliner



P/N CA100-530448-5 P/N CA100-530448-7 P/N CA50-534436-5

Save up to 64%

Part Number	Model Eligibility
CA100-530448-5	C90,C90A,C90(SE),E90,F90,A100,B100,200,200T,200C,200CT,B200,B200C,B200CT
CA100-530448-7	C90,C90A,E90,F90,A100,B100,200,200T,200C,200CT,B200,B200C,B200CT
CA50-534436-5	65,80,A80,88,90,A90,99,99A,A99A,B90,B99,C99,100,A100,B100

Manufactured by PMA Products

Pilot/Copilot Seat Rail Repair Kit for Cessna Citation Aircraft

P/N MCSK101

Save time and money!

McFarlane has created a patented solution, using input from Citation mechanics and our extensive experience with Cessna seat rails.

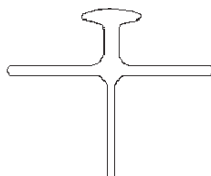
Eligible for installation on all Cessna 500 and 501 series aircraft.

- FAA-PMA/STC approved
- Stronger than the Cessna splice repair
- No splice kit needed
- Makes future replacements bolt-in only
- Complete installation tool kit may be purchased or rented
- No cutting or riveting below the floor level

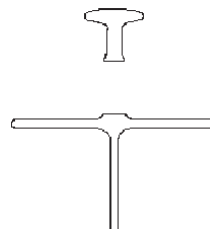
Patent Number 7,168,674 B2



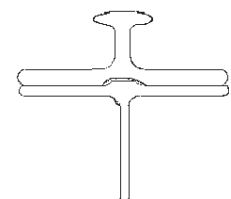
Original Cessna Seat Rail Extrusion



Cut the rail cap off using the McFarlane tool kit



Bolt the McFarlane replacement seat rail to the Cessna extrusion





Seat Stop Kits for Cessna Aircraft
 McFarlane Seat stops are stronger than the originals!
 Kits contain FAA-PMA and industry standard components



McFarlane Seat Stops



AeroTwin Seat Stop

Model	Serial Number	Part Number
150E ¹ , F ¹	15061273 thru 15063762	SSC-01 ^A
150F ¹ , G, H, J, K, L ¹	15063763 thru 15073658	Seat Stop Kit 3 ^M SSC-01 ^A
150L ¹ , M	15073659 thru 15079405	SSC-01 ^A
A150K, L ¹	A1500001 thru A1500342	Seat Stop Kit 3 ^M
A150L ¹	A1500343 thru A1500523	SSC-01 ^A
F150G, H, J, K, L ¹	F1500068 thru F15000863	Seat Stop Kit 3 ^M
FA150K, L ¹	FA1500001 thru FA1500166	Seat Stop Kit 3 ^M
172, 172A, B, C	28000 thru 17249544	Seat Stop Kit 1 ^M SSC-01 ^A
172D, E, F, G, H, I, K, L, M, N, P, Q	17249545 thru 17276516	Seat Stop Kit 2 ^M
F172M, N, P	F17200905 thru F17202238	Seat Stop Kit 2 ^M
FR172E, F, J, K	FR17200001 thru FR17200675	Seat Stop Kit 2 ^M
P172	P17257120 thru P17257188	Seat Stop Kit 2 ^M
172P ¹	17276517 thru 17276673	Seat Stop Kit 1 ^M
F172P	F17202239 thru F17202254	Seat Stop Kit 1 ^M
R172K	R1722000 thru R1723454	Seat Stop Kit 2 ^M
172RG	172RG0001 thru 172RG1191	Seat Stop Kit 2 ^M
175, 175A, B, C	55001 thru 17557119	Seat Stop Kit 1 ^M SSC-01 ^A
177, A, B	17700001 thru 17702752	Seat Stop Kit 2 ^M
177RG	177RG0001 thru 177RG1366	Seat Stop Kit 2 ^M
180, A, B, C, D, E, F, G, H, J, K	30000 thru 18053203	Seat Stop Kit 1 ^M SSC-01 ^A
182, A, B, C, D, E, F, G, H, J, K, L, M, N, P, Q, R	33000 thru 18268586	Seat Stop Kit 1 ^M SSC-01 ^A
F182P, Q	F18200001 thru F18200169	Seat Stop Kit 1 ^M
FR182	FR18200001 thru FR18200070	Seat Stop Kit 1 ^M
T182	18267716 thru 18268541	Seat Stop Kit 1 ^M SSC-01 ^A
R182/ TR182	R18200001 thru R18202041	Seat Stop Kit 1 ^M SSC-01 ^A
185, A, B, C, D, E	185-0001 thru 185-1149	Seat Stop Kit 1 ^M SSC-01 ^A
A185E, F	18501600 thru 18504448	Seat Stop Kit 1 ^M
188, 188A, A188, A188A	1880001 thru 18800832	Seat Stop Kit 1 ^M SSC-01 ^A
188B ¹	188002349 thru 18803846 188002349T thru 18803968T	Seat Stop Kit 1 ^M SSC-01 ^A
T188C	T18803297T thru T18803968T	Seat Stop Kit 1 ^M SSC-01 ^A
Standard Seats		
188B	18800833 thru 18802348	Seat Stop Kit 1 ^M SSC-01 ^A
A188B ¹	18800967T thru 18802348T	Seat Stop Kit 1 ^M SSC-01 ^A
Infinitely Adjustable Seats		
188B	18800833 thru 18802348	Seat Stop Kit 2 ^M SSC-01 ^A
A188B ¹	18800967T thru 18802348T	Seat Stop Kit 2 ^M SSC-01 ^A
Pilot/Copilot & Middle Seats		
210-5 (205), 210-5A (205A)	205-0001 thru 205-0577	Seat Stop Kit 1 ^M SSC-01 ^A

Model	Serial Number	Part Number
Pilot/Copilot Seats		
206	206-0001 thru 206-0275	Seat Stop Kit 1 ^M SSC-01 ^A
U206, A, B, C, D, TU206A, B, C, D	U206-0276 thru U206-1444	Seat Stop Kit 1 ^M SSC-01 ^A
P206, A, B, C, D, TP206A, B, C, D	P206-0001 thru P206-0603	Seat Stop Kit 1 ^M SSC-01 ^A
U206E ¹ , F, G, TU206E ¹ F, G	U20601588 thru U20607020	Seat Stop Kit 1 ^M SSC-01 ^A
Standard Pilot/Copilot Seats		
U206E ¹ , TU206E ¹	U20601445 thru U20601587	Seat Stop Kit 1 ^M SSC-01 ^A
P206E, TP206E	P20600604 thru P20600647	Seat Stop Kit 1 ^M SSC-01 ^A
Infinitely Adjustable Pilot/Copilot Seats		
U206E ¹ , TU206E ¹	U20601445 thru U20601587	Seat Stop Kit 2 ^M SSC-01 ^A
P206E, TP206E	P206-0604 thru P206-0647	Seat Stop Kit 2 ^M SSC-01 ^A
Middle Seats		
206, U206, A, B, C, D, E, F, G	206-0001 thru 206-0275	Seat Stop Kit 1 ^M
TU206A, B, C, D, E, F, G	U206-0276 thru U20607020	Seat Stop Kit 1 ^M
P206, A, B, C, D, E	P206-0001 thru P206-0647	Seat Stop Kit 1 ^M
TP206A, B, C, D, E	P206-0001 thru P206-0647	Seat Stop Kit 1 ^M
Standard Pilot/Copilot Seats		
207 ¹ , T207 ¹	20700001 thru 20700215	Seat Stop Kit 1 ^M SSC-01 ^A
Infinitely Adjustable Pilot/Copilot Seats		
207 ¹ , T207 ¹	20700149 thru 20700215	Seat Stop Kit 2 ^M SSC-01 ^A
Pilot/Copilot Seats		
207A ¹ , T207A	20700216 thru 20700788	Seat Stop Kit 1 ^M SSC-01 ^A
Middle Seats		
207 ¹ , A, T207 ¹ , A	20700001 thru 20700788	Seat Stop Kit 1 ^M SSC-01 ^A
Pilot/Copilot Seats		
210, A, B, C, D, E, F, G, H, J, K, L, M, N	57001 thru 21064897	Seat Stop Kit 1 ^M SSC-01 ^A
210R	21064898 thru 21065009	Seat Stop Kit 1 ^M
T210	T210-0001 thru T210-0454	Seat Stop Kit 1 ^M
Middle Seat		
210K, L, M, N, R	21059200 thru 21065009	Seat Stop Kit 1 ^M
T210K, L, M, N, R	21059200 thru 21065009	Seat Stop Kit 1 ^M
P210N, R	P21000001 thru P210000867	Seat Stop Kit 1 ^M
Rear Seats		
210D, E, F, G, H, J	21058221 thru 21059199	Seat Stop Kit 1 ^M
T210	T210-0001 thru T210-0454	Seat Stop Kit 1 ^M
Pilot/Copilot Seats		
T210F, G, H, J	T2100001 thru T2100454	Seat Stop Kit 1 ^M
P210N	P2100001 thru P21000834	Seat Stop Kit 1 ^M SSC-01 ^A
P210R	P210000835 thru P210000867	Seat Stop Kit 1 ^M

¹ Partial model eligibility
 Manufacturer: ^A Aero Twin, Inc., ^M McFarlane Aviation Products

McFarlane Seat Stop Kit Components

SEAT STOP KIT 1		
Qty	P/N	Description
1	MC0713074-1	Seat Stop "U" Design
1	MS24665-132	Cotter Pin, 1/16" X 1/2"
1	MS20392-1C21	Clevis Pin
SEAT STOP KIT 2		
Qty	P/N	Description
1	MC0511242-1	Seat Stop "Bar Design"
1	MS35265-41	Screw
SEAT STOP KIT 3		
Qty	P/N	Description
1	MC0713074-1	Seat Stop "U" Design
1	MS24665-132	Cotter Pin, 1/16" X 1/2"
1	MS20392-1C21	Clevis Pin
2	NAS43DD1-9FC	Spacer



SEAT STOP KIT 1



SEAT STOP KIT 2



SEAT STOP KIT 3

FAA-PMA Approved

Seat Rails and Seat Parts

Seat Roller Kits for Cessna Aircraft

Now also approved for 300-400 series aircraft!

McFarlane seat parts were developed to assist in complying with the parts replacement requirements of FAA Airworthiness Directive 87-20-03. This AD requires the periodic inspection and replacement of seat components of the entire Cessna light aircraft fleet. Our parts are direct replacements for the wear related seat components. All parts are available individually or as convenient kits.

Rollers

- Fabricated from molydisulfide filled nylon for improved strength and self-lubrication.
- Fully machined from extruded stock for a finer surface finish and higher strength.



Bushings

- Machined from alloy steel
- Longer life
- Greater wear resistance



Washers

- Super tough acetyl plastic
- Resists wear and aging
- MC1714000-41 full round washer also available



Choose the Correct Kit

The seat related replacement parts are not serial number specific, as the type of seat installed in the aircraft was optional when the aircraft was ordered from the factory. A common seat configuration is the pilot seat being "articulating" or "infinitely adjustable" while the co-pilot seat is the "standard" or "vertically adjustable" style. **One kit per seat is required.**

The most positive way to ensure that you are choosing the proper seat kit for your aircraft is to measure the rollers.

SEAT-KT-1

Roller diameter approximately 1 3/8"

This kit is used with the "infinitely adjustable" or "articulating" seats installed in the Cessna single engine aircraft from 1963 through 1986. Two adjustment crank handles identify this seat. The backrest angle is adjusted with a crank. It is also used with some 336-337 series aircraft. The SEAT-KT-1 contains the same components as four of the Cessna 1714000K200 kits.

All seats in the 177 Cardinal will use the large seat roller and require this kit. These parts are not used on models 150-152.

- (8) MC1714000-22 Washer
- (4) MCS1704-1 Roller
- (4) MC1414104-54 Bushing



SEAT-KT-2

Roller diameter approximately 5/8"

This kit is used with the "Standard" or "Vertically adjustable" seat installed in Cessna single engine aircraft from 1963 through 1986. This seat is identified by one or no adjustment crank handles. The seat back angle is adjusted with a lever on the side of the seat back. It is also used with some 336-337 series aircraft. The SEAT-KT-2 contains the same components as four of the Cessna 1414100-212 kits.

These parts are not used on models 150-152.

- (8) MCS1554-1 Washer
- (4) MCS1551-1 Roller
- (4) MC1414104-54 Bushing

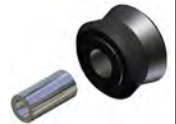


SEAT-KT-3

Roller diameter approximately 7/8" with no wear washers

This kit is used with all seats in the Cessna 150-152 series aircraft and all Cessna single engine aircraft built before 1963. A welded steel tubing seat frame easily identifies these seats. It is also used with some Cessna twin engine aircraft.

- (4) MC0311310 Roller
- (4) MC0311586 Bushing



Obsolete Roller 1964-1965

Cessna aircraft manufactured in 1964 and 1965 had a spool shape roller with a smaller bushing. Use SEAT-KT-2 to replace this style roller.

The complete kit must be used, as the bushing size is different.



Seat Rail Wear Gauge for Cessna Aircraft

Checks seat rail wear limits as per FAA AD 2011-10-09 Seat Rail Directive

- Precision machined heat treated steel
- Best way to check seat rails for the limits defined by FAA AD 2011-10-09
- Save time and \$\$\$

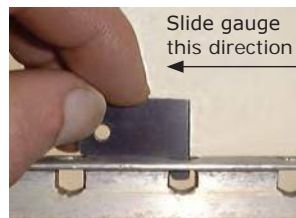
The McFarlane Seat Rail Wear Gauge is designed to check for seat rail pin engagement hole wear on Cessna aircraft, as required by FAA AD 2011-10-09.

This gauge is designed to measure the actual radius wear near the seat stop holes and allows for the 0.020" upper surface wear permitted by the AD.

Fast and Positive - No More Guessing!!



1. Place the gauge into each hole location showing wear.



2. Slide gauge back along top center of the rail until it contacts the hole edge. Make sure to keep the gauge parallel and square to the unworn rail surface.



3. If the step touches the rail, lifting the gauge up, the wear is less than 0.42. If the step **does not** touch the rail, the wear is more than 0.42 and the seat rail must be replaced.



P/N GAUGE SR1

Seat Rails and Seat Parts Seat Roller Housings

Seat Roller Housing Gauge for Cessna Aircraft

P/N TOOL110

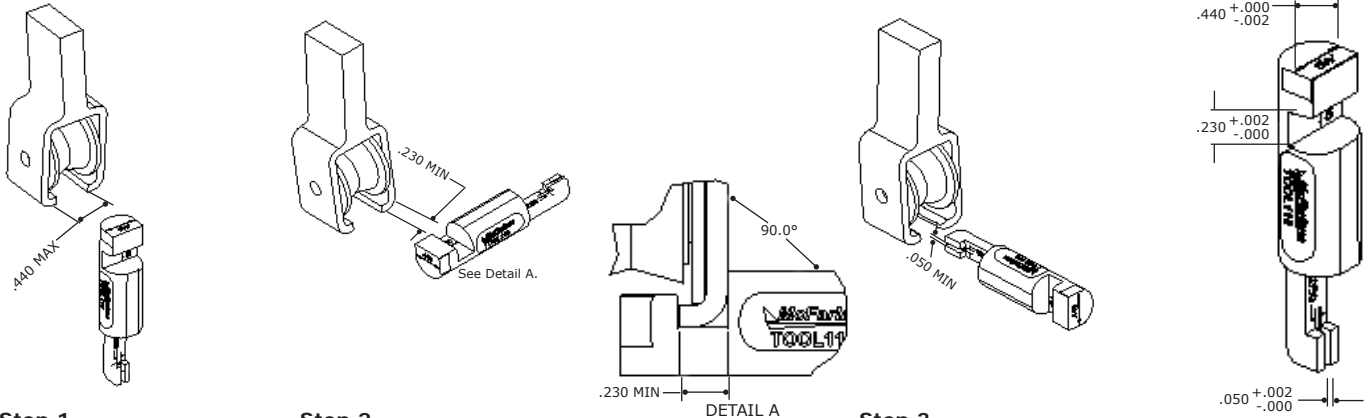
- Hardened Stainless Steel
- Save time! Ten times faster than calipers
- Step by step instructions
- Measures all three dimensions without removing rollers

Checks Cessna seat roller housing limits as per FAA AD 2011-10-09

The McFarlane Seat Roller Housing Gauge is designed to facilitate inspection of seat roller housings for wear in Cessna aircraft as required by mandatory FAA AD 2011-10-09. Designed for seat roller housings that are replaceable, this gauge simplifies determining whether the housing is in or out of tolerance by allowing the areas of concern to be gauged, as opposed to measuring individual attributes on each seat roller housing with calipers. Do not use on welded/non-replaceable seat roller housings.



P/N TOOL110



Step 1.
.440 gauge surfaces must not enter space between housing tangs.

Step 2.
The bend area of the tang must not enter the space on the gauge marked .230. See Detail A.

Step 3.
The .050 space on the gauge must not fit on the worn area of the tang.

To calibrate; ensure gauge dimensions are within the tolerances shown above.

Seat Roller Housings

Save \$\$\$

FAA-PMA approved for Cessna aircraft

- Anodized for improved wear and corrosion resistance
- Precision machined with perfected dimensions for smooth installation and operation
- FAA-PMA direct replacement
- Seat roller housings for most single engine Cessna and Skymaster
- Replace out of spec housings as required by FAA AD 2011-10-09
- Convenient flowchart to determine correct housings for your aircraft



P/N MC1714000-33



P/N MC1200603-42



P/N MC1414104-39



P/N MC1414104-61B

Housing/Bracket Assemblies - P/N's with B suffix

Save time and money with housing/bracket assemblies.

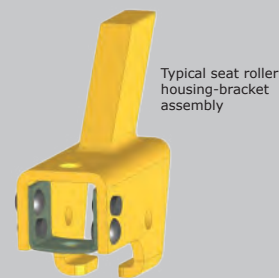
Most housings with a locking pin hole are available with or without the MC1414104-8 bracket. Just add a "B" suffix to the housing part number to buy the complete assembly.

McFarlane highly recommends buying complete assemblies. The bracket rivet spacing is very close making riveting difficult without special tooling.

Bracket also available separately.



Typical seat roller housing



Typical seat roller housing-bracket assembly



Bracket
P/N MC1414104-8

Roller housing/bracket assemblies save time. The old bracket does not have to be removed and reinstalled.

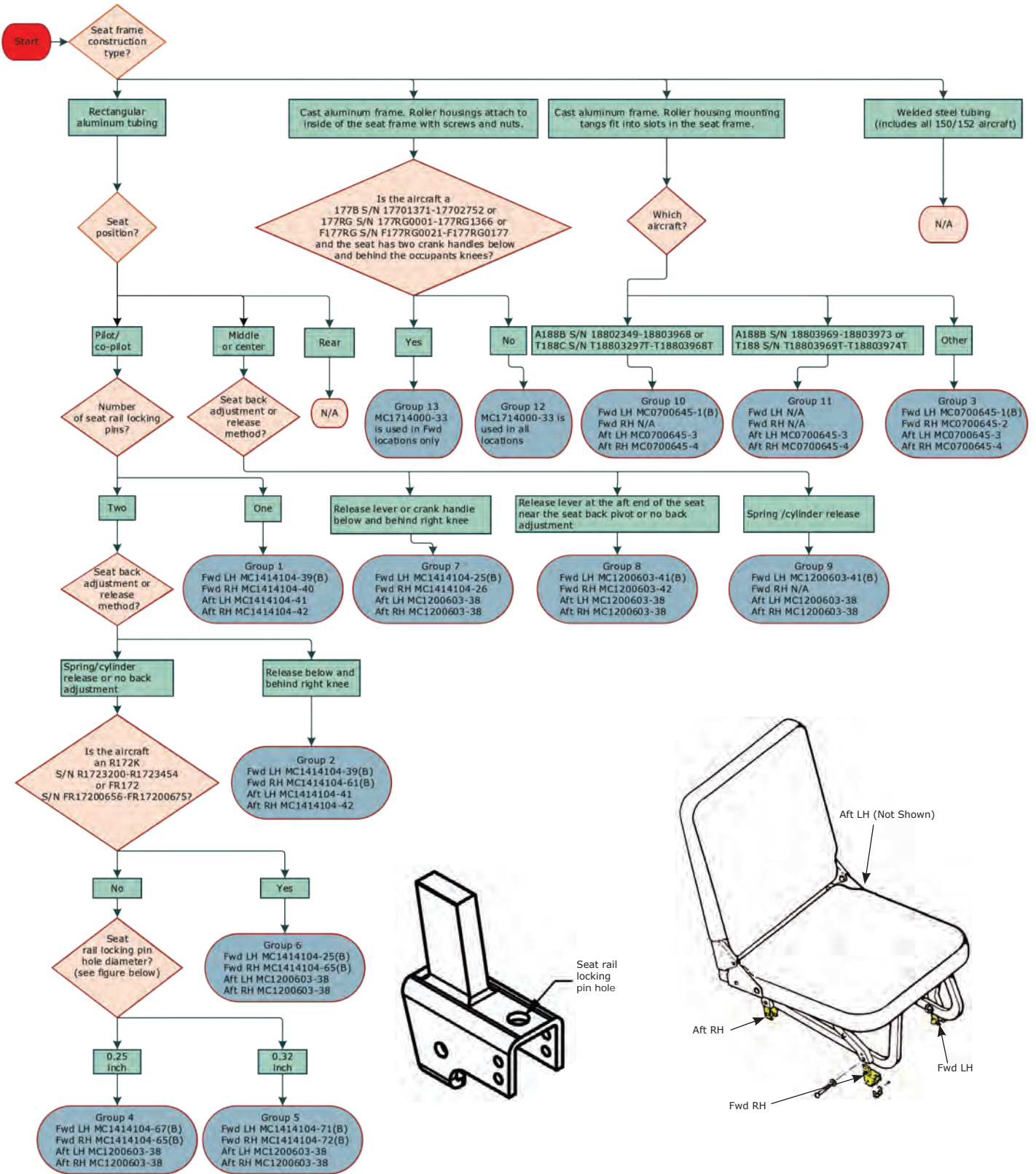
Flowchart to determine correct housings on the following page.

Seat Rails and Seat Parts Seat Roller Housings

Need help selecting the correct housing for your seat?

With over two dozen part numbers and many different seat options, this can be very challenging. Only McFarlane has a convenient flowchart to make it easy!

Seat Rails and Seat Parts



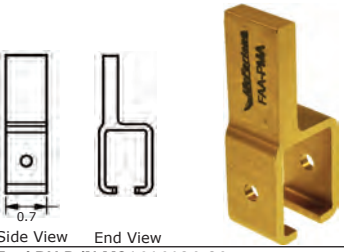
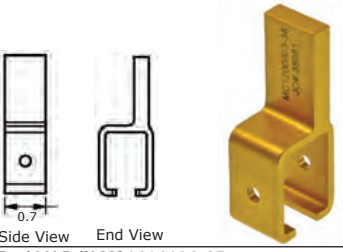
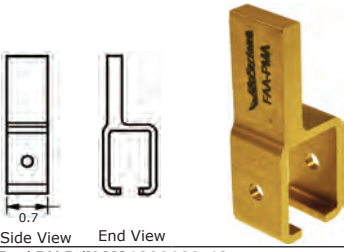
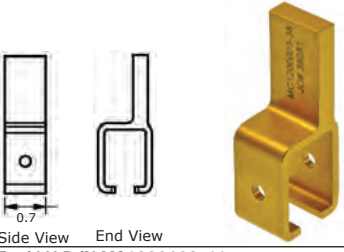
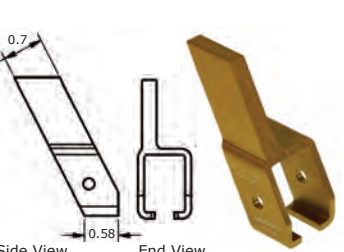
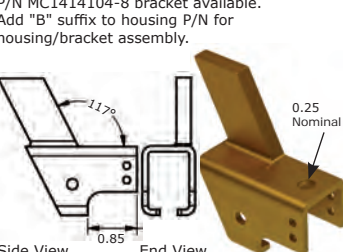
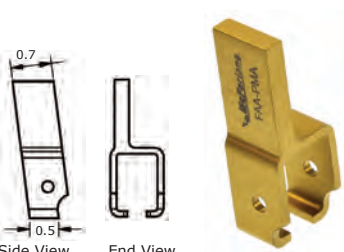
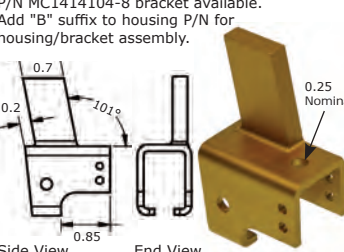
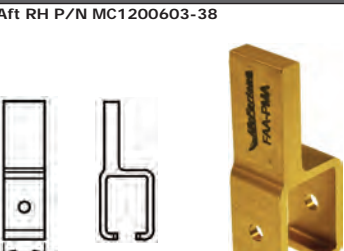
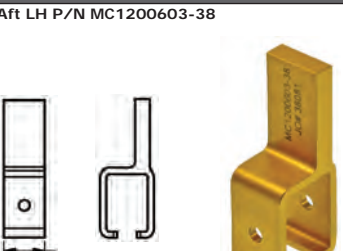
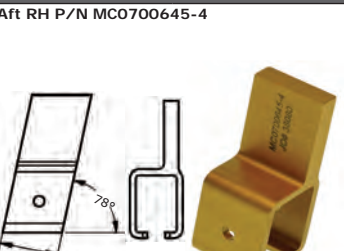
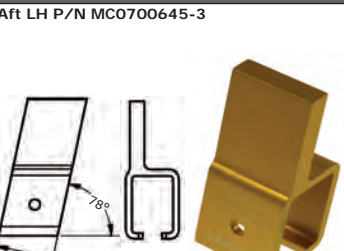
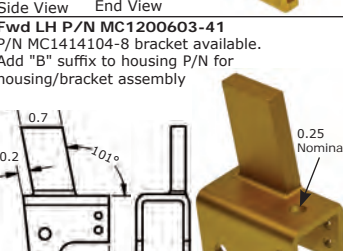
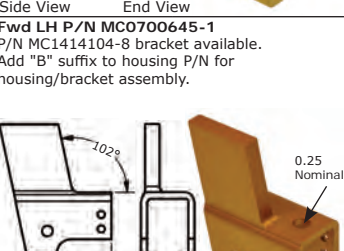
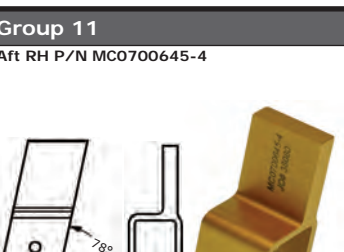
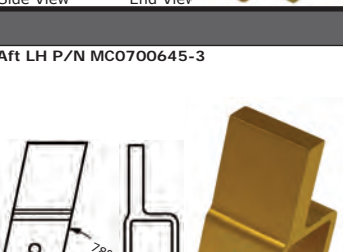

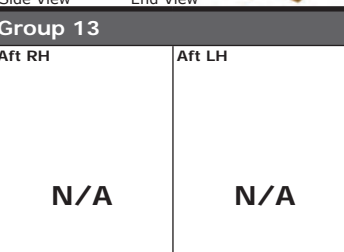

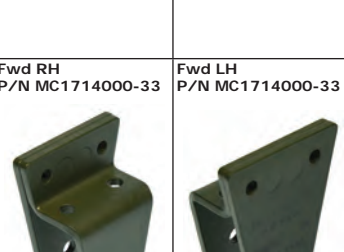
Seat Rails and Seat Parts Seat Roller Housings



FAA-PMA Approved

Seat Rails and Seat Parts

Group 1		Group 2	
<p>Aft RH P/N MC1414104-42</p> <p>Side View End View</p>	<p>Aft LH P/N MC1414104-41</p> <p>Side View End View</p>	<p>Aft RH P/N MC1414104-62</p> <p>Side View End View</p>	<p>Aft LH P/N MC1414104-41</p> <p>Side View End View</p>
<p>Fwd RH P/N MC1414104-40</p> <p>Side View End View</p>	<p>Fwd LH P/N MC1414104-39 P/N MC1414104-8 bracket available. Add "B" suffix to housing P/N for housing/bracket assembly.</p> <p>Side View End View</p>	<p>Fwd RH P/N MC1414104-61 P/N MC1414104-8 bracket available. Add "B" suffix to housing P/N for housing/bracket assembly.</p> <p>Side View End View</p>	<p>Fwd LH P/N MC1414104-39 P/N MC1414104-8 bracket available. Add "B" suffix to housing P/N for housing/bracket assembly.</p> <p>Side View End View</p>
Group 3		Group 4	
<p>Aft RH P/N MC0700645-4</p> <p>Side View End View</p>	<p>Aft LH P/N MC0700645-3</p> <p>Side View End View</p>	<p>Aft RH P/N MC1200603-38</p> <p>Side View End View</p>	<p>Aft LH P/N MC1200603-38</p> <p>Side View End View</p>
<p>Fwd RH P/N MC0700645-2</p> <p>Side View End View</p>	<p>Fwd LH P/N MC0700645-1 P/N MC1414104-8 bracket available. Add "B" suffix to housing P/N for housing/bracket assembly.</p> <p>Side View End View</p>	<p>Fwd RH P/N MC1414104-65 P/N MC1414104-8 bracket available. Add "B" suffix to housing P/N for housing/bracket assembly.</p> <p>Side View End View</p>	<p>Fwd LH P/N MC1414104-67 P/N MC1414104-8 bracket available. Add "B" suffix to housing P/N for housing/bracket assembly.</p> <p>Side View End View</p>
Group 5		Group 6	
<p>Aft RH P/N MC1200603-38</p> <p>Side View End View</p>	<p>Aft LH P/N MC1200603-38</p> <p>Side View End View</p>	<p>Aft RH P/N MC1200603-38</p> <p>Side View End View</p>	<p>Aft LH P/N MC1200603-38</p> <p>Side View End View</p>
<p>Fwd RH P/N MC1414104-72 P/N 2514044-2 bracket used with this housing is not available from McFarlane at this time.</p> <p>Side View End View</p>	<p>Fwd LH P/N MC1414104-71 P/N 2514044-2 bracket used with this housing is not available from McFarlane at this time.</p> <p>Side View End View</p>	<p>Fwd RH P/N MC1414104-65 P/N MC1414104-8 bracket available. Add "B" suffix to housing P/N for housing/bracket assembly.</p> <p>Side View End View</p>	<p>Fwd LH P/N MC1414104-25 P/N MC1414104-8 bracket available. Add "B" suffix to housing P/N for housing/bracket assembly.</p> <p>Side View End View</p>

Group 7 Aft RH P/N MC1200603-38  Side View End View		Aft LH P/N MC1200603-38  Side View End View		Group 8 Aft RH P/N MC1200603-38  Side View End View		Aft LH P/N MC1200603-38  Side View End View	
Fwd RH P/N MC1414104-26  Side View End View		Fwd LH P/N MC1414104-25 P/N MC1414104-8 bracket available. Add "B" suffix to housing P/N for housing/bracket assembly.  Side View End View		Fwd RH P/N MC1200603-42  Side View End View		Fwd LH P/N MC1200603-41 P/N MC1414104-8 bracket available. Add "B" suffix to housing P/N for housing/bracket assembly.  Side View End View	
Group 9 Aft RH P/N MC1200603-38  Side View End View		Aft LH P/N MC1200603-38  Side View End View		Group 10 Aft RH P/N MC0700645-4  Side View End View		Aft LH P/N MC0700645-3  Side View End View	
Fwd RH <p style="text-align: center; font-size: 2em;">N/A</p>		Fwd LH P/N MC1200603-41 P/N MC1414104-8 bracket available. Add "B" suffix to housing P/N for housing/bracket assembly  Side View End View		Fwd RH <p style="text-align: center; font-size: 2em;">N/A</p>		Fwd LH P/N MC0700645-1 P/N MC1414104-8 bracket available. Add "B" suffix to housing P/N for housing/bracket assembly.  Side View End View	
Group 11 Aft RH P/N MC0700645-4  Side View End View		Aft LH P/N MC0700645-3  Side View End View		Group 12 Aft RH P/N MC1714000-33 		Aft LH P/N MC1714000-33 	
Fwd RH <p style="text-align: center; font-size: 2em;">N/A</p>		Fwd LH <p style="text-align: center; font-size: 2em;">N/A</p>		Fwd RH P/N MC1714000-33 		Fwd LH P/N MC1714000-33 	

Seat Rail for Piper Aircraft

P/N MC62557-004 (seat rail - used in all positions)

Save hundreds \$\$\$

- Direct replacement - used in all positions
- Precision machined
- Gold anodized for corrosion resistance
- Dry lubricant applied for long service life
- They are prettier too!



Part Number	Dimensions
CA18968-000	Small roller — 0.42" OD
CA87332-002	Large roller — 0.62" OD
CA41413-038	Bushing — 0.3060" OD
CA65003-047 New!	Bushing — 0.3052" OD
CA95061-106 New!	Bushing — 0.3049" OD

Manufactured by PMA Products

Seat Rollers and Bushings for Piper Aircraft

Newly added P/N CA65003-047 and P/N CA95061-106 Bushings!

- Direct replacement
- Save \$\$\$



P/N CA18968-000



P/N CA87332-002



Bushing

Model	Serial Number	Seat Rail MC62557-004	Seat Roller CA18968-000	Seat Roller CA87332-002	Seat Bushing CA41413-038	Seat Bushing CA65003-047	Seat Bushing CA95061-106
PA-23, PA-23-160	All		•				
PA-23-235	All		•				
PA-23-250	27-1 thru 27-3836, 27-3838 thru 27-3943				•		
PA-24-250, 400	27-3837, 27-3944 thru 27-7554168, 27-7654001 and On		•		•		
PA-24-260	All		•				
PA-24-260	24-3462 thru 24-4246, 24-4248 thru 24-4299		•				
PA-24-260	24-4247, 24-4300 and On		•		•		
PA25, PA25-235	25-1 thru 25-4171				•		
PA-28-140	28-20002 thru 28-26400 ¹ , 28-26401 thru 28-26956 ² ³	•	¹	¹		•	
PA-28-140	28-26957 thru 28-7125000 ³	•	¹	¹		•	
PA-28-140	28-7125001 thru 28-7325684 ³	•	¹	¹		•	
PA-28-140	28-7325685 thru 28-7625235	•	¹	¹		•	
PA-28-140	28-7625236 and On	•	¹	¹		•	
PA-28-150, PA-28-160	All ⁴	•	¹	¹		•	
PA-28-151, 161	All	•	¹	¹		•	
PA-28-180	28-671 thru 28-5600 ² , 28-5601 thru 28-5869 ² ³ , 28-5870 thru 28-7105000	•	¹	¹		•	
PA-28-180	28-7105001 thru 28-7305611 ³	•	¹	¹		•	
PA-28-180	28-7305612 and On	•	¹	¹		•	
PA-28-180	28R-30005 thru 28R-31250 ² , (except 28R-30482),	•	¹	¹		•	
PA-28-180	28R-31251 thru 28R-31279 ² ³ , 28R-31280 thru 28R-7130000 ³	•	¹	¹		•	
PA-28-180	28R-7130001 thru 28R-7130019 ³	•	¹	¹		•	
PA-28-180	28R-7130020 and On	•	¹	¹		•	
PA-28-181	28-7690001 to 28-7690385 ² ³ , 28-7690386 thru 28-8290188 ³ , 28-8390001 and On ³ , 2890206	•	¹	¹		•	
PA-28-181	and On ³ , 2843001 and On ³ , 2881001 and On ³	•	¹	¹		•	
PA-28-200	28R-30482 ² , 28R-35001 thru 28R-35600 ² , 28R-35601 thru 28R-35830 ² ³	•	¹	¹		•	
PA-28-200	28R-35831 thru 28R-7135000 ³	•	¹	¹		•	
PA-28-200	28R-7135001 thru 28R-7335455 ³ , 28R-7335456 thru 28R-7635328	•	¹	¹		•	
PA-28-200	28R-7635329 and On	•	¹	¹		•	
PA-28-201T	All	•	•			•	
PA-28R-201, 201T	All	•	•			•	
PA-28RT-201, 201T	All	•	¹	¹		•	
PA-28-235	28-10003 thru 28-11300 ² , 28-11301 thru 28-11393 ² ³ , 28-11394 thru 28-7110000 ³	•	¹	¹		•	
PA-28-235	28-7110001 thru 28-7310187 ³	•	¹	¹		•	
PA-28-235	28-7310188 thru 28-7610138	•	¹	¹		•	
PA-28-235	28-7610139 and On	•	¹	¹		•	
PA-28-236	All	•	¹	¹		•	
PA-30	30-1 thru 30-852, 30-854 thru 30-901		•			•	
PA-30	30-853, 30-902 and On		•			•	
PA-31-300, 325	All		•			•	
PA-31-350, PA-31P, PA-31P-350, PA-31T, 31T1, 31T2, 31T3	All		•			•	
PA-32-260	32-1251 thru 32-7300076 ³	•	¹	¹		•	
PA-32-260	32-7300077 and On	•	¹	¹		•	
PA-32-300	32-40851 thru 32-7340201 ³	•	¹	¹		•	
PA-32-300	32-7340202 and On	•	¹	¹		•	
PA-32-301,301T	All	•	¹	¹		•	
PA-32R-300,301,301T, PA-32RT-300, 300T	All	•	¹	¹		•	
PA-34-200 ³ ,200T,220T	All	•	¹	¹		•	
PA-39, PA-42, PA-42-720, PA-42-1000	All		•			•	
PA-44-180 180T	All		•			•	
PA-46-310P, PA-46-350P (w/ G1000)	All		•			•	
PA-46-500TP	4697001, 4697003 thru 4697339 and 4697341 thru 4697398					•	
PA-46R-350T	All					•	

¹ To determine which roller your aircraft requires, verify the outer diameter at the center of the roller: 0.42" use P/N CA18968-000, 0.62" use P/N CA87332-002
² Standard seats
³ Vertically adjustable front seats
⁴ Used if the seat assy incorporates a "U" shaped handle for the seat track release mechanism

Cargo Tie Down

P/N TDP-31

Secure your cargo

Clamps to seat rails to provide tie down points to secure cargo.

- 4 req. for every 100 lbs of cargo
- Anodized aluminum for durability
- FAA-PMA Piper
- NOT to be used as a seat stop



Approved models: PA31, PA31-300,325,350,P-350, 31P, 31T,31T1,T2,T3

Manufactured by F Atlee Dodge

FAA-PMA Approved

Seat Adjustment Springs for Piper Aircraft

Replacement springs just got more affordable!

Save \$\$\$

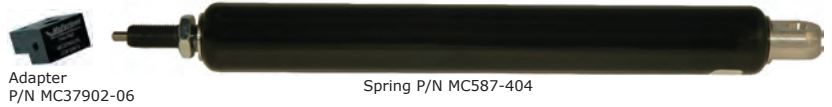
- Direct replacement — no conversion kit required
- One required per bucket seat
- Avoid downtime and expense of repeated overhauls

Replacements for both styles now available

Gas Spring Style

P/N MC587-404

- Replaces Piper P/N 587-404 or 89178-010¹
- Originals were manufactured by Stabilus Bloc-O-Lift or Gas Springs Corp Easy Lift
- M10x1 metric thread (~0.39 inch diameter)
- Adapter P/N MC37902-06 also available (threads on end of spring - see figure)



Coil Spring/Hydraulic Style

P/N MC555-692

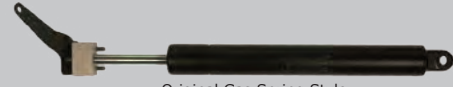
- McFarlane replaces the old coil spring/hydraulic style with a gas spring
- Replaces Piper P/N 76445-000 or 555-692
- Originals were manufactured by P. L. Porter Hydrolok
- 3/8-24 UNF thread



Spring P/N MC555-692

Maintenance Tip:

Aircraft make, model and serial number are not sufficient to ensure the correct replacement spring as many aircraft may have been originally equipped with either one or retrofitted with a conversion kit. If the spring you are replacing is marked with a brand name (e.g. P.L. Porter or Stabilus) the correct replacement is readily identified. The coil spring/hydraulic style are also identifiable by a 1 1/4" diameter visible coil spring. The thread may also be measured to verify the correct identification.



Original Gas Spring Style



Original Coil Spring/Hydraulic Style

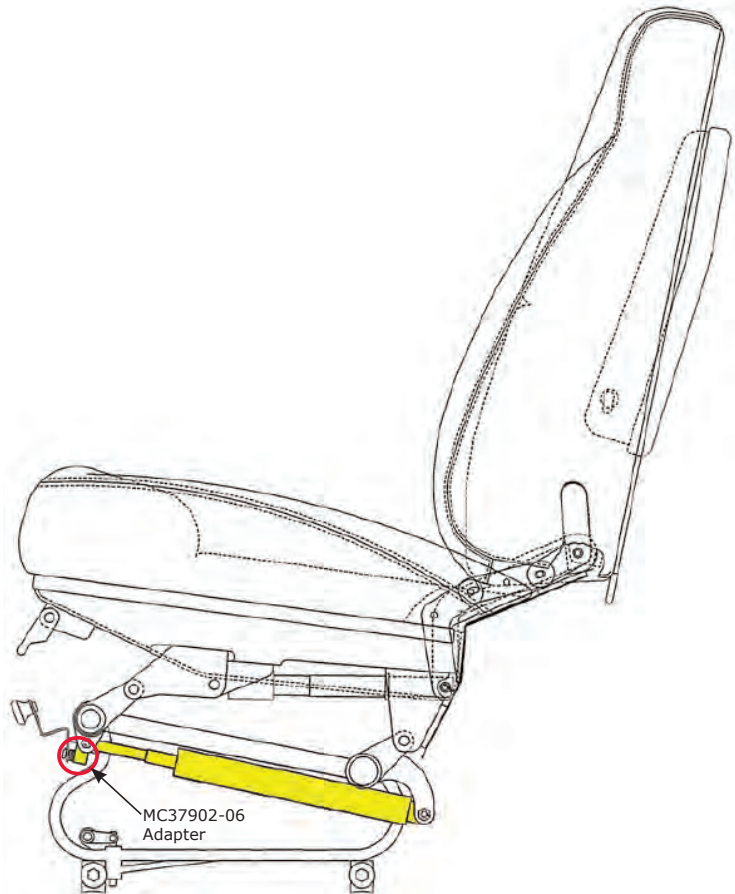
Model	Serial Number	Qty per A/C	Spring MC555-692 (3/8-24 thread)	Spring MC587-404 (M10x1 thread)	Adapter P/N MC37902-06
PA-28-140 ¹	28-7425061 and On	2	4	2	2
PA-28-151	All	2	4	2 3	2 3
PA-28-161	2816001 thru 2816119	2	4	2	2
	2841001 thru 2842999	2		2	2
	28-7716001 thru 28-7716073	2	4	2 3	2 3
	28-7716074 thru 28-8616057	2	4		
PA-28-180 ¹	28-7405035 and On	2	4	2	2
PA-28-181	2843001 thru 2843999	2		2	2
	2890001 thru 2890205	2	4		
	2890206 thru 28-7790358	2	4	2	2
	28-7790359 thru 28-8690062	2	4		
PA-28-201T	All	2			
PA-28-235 ¹	28-7410027 thru 28-7710089	2	4	2	2
PA-28-236	All	2			
PA-28R-200 ¹	28R-7435035 thru 28R-7635545	2	4	2	2
PA-28R-201	2837001 thru 2837061	2	4	2	2
	2844001 thru 2844999	2		2	2
	28R-7737002 thru 28R-7837317	2	4	2	2
PA-28R-201T	All	2	4	2	2
PA-28RT-201T	All	2			
PA-32-260 ¹	32-7400001 thru 32-7800008	2	4	2	2
PA-32-300 ¹	32-7440001 thru 32-7940290	2	4	2	2
PA-32-301, 301T	All	2			
PA-32R-300	All	2	4	2	2
PA-32R-301, 301T	All	2			
PA-32RT-300, 300T	All	2			
PA-34-200 ¹	34-7450033 thru 34-7450220	2	4	2	2
PA-34-200T	All	2	4	2	2
PA-34-220T	All	2			
PA-44-180, 180T	All	2			
PA-46-310P	All	4			
PA-46-350P	4622001 thru 4622200	4			
	4636001 thru 4636999	6			
PA-46-500TP	All	4			
PA-46R-350T	All	4			

¹ Partial model eligibility

² When equipped with Piper P/N 587-404 or 89178-010. This includes seats converted per Piper Service Letter 813 using Piper kit number 761 103V, 761 104V or 761 105V.

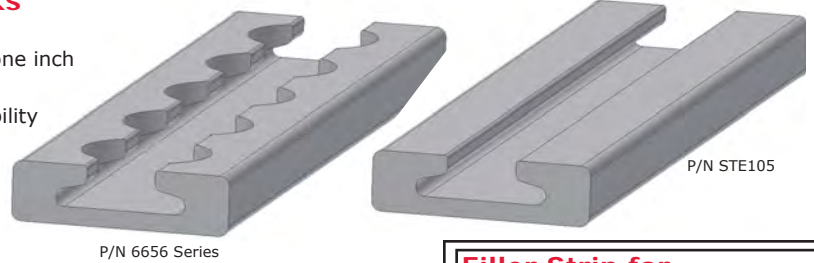
³ Some Piper parts catalogs do not list part number 587-404 separately, but list an assembly part number of 89178-010 instead. McFarlane P/N MC587-404 replaces the spring component of this assembly and adapter P/N MC37902-06 replaces the block.

⁴ When equipped with Piper P/N 76445-000 or 555-692.



Browline Style Seat Tracks/Cargo Tracks

- Perfect for homebuilt or experimental projects
- Slotted extrusion with 0.785" diameter openings every one inch
- Precision machined and quality controlled
- Aerospace grade 7075-T6511 aluminum with full traceability
- Compatible with common MS33601 cargo tie down and seat stud fittings (see below)

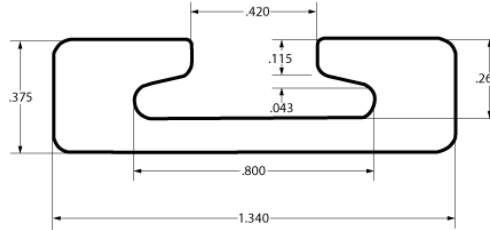


Standard Lengths
P/N 6656-L (L = the minimum length in inches)

Anodized for corrosion protection.
Available in 6, 12, 18, 24, 36, 48, 72, 96, 120, 144, 160, and 179 inch lengths.

P/N STE105
Slotted extrusion without machined 0.785" diameter openings. Non-anodized. Available by the inch.

Custom Tracks
Custom lengths and machining available.
Call for details.



Filler Strip for Browline Style Track
P/N FE200751

- Provides a finished look
- Keeps debris out of the track
- May be cut to length, sold in 25 ft. roll



Browline Style Anchor Plate

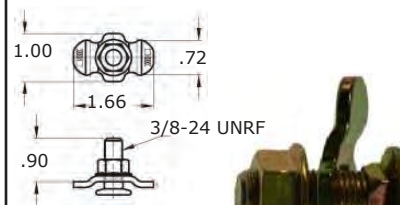
- P/N 40000-11
- For use with single stud fittings
 - Small and low profile, providing damage protection to cargo and baggage
 - An ideal way to support single location fastening of nets, straps, or other equipment
 - NSN Number 1560-01-286-1030
 - Aluminum alloy, anodized

Working load limit:
4000 lbs @ 0° vertical pull
2000 lbs @ 90° horizontal pull



Manufactured by Ankra International

Threaded Single Stud Fitting with Nut for Browline Style Track
P/N FE200744



Specifications
Material: Carbon Steel
Finish: Zinc Plated
Working Load Limit:
5000 lbs @ 0° vertical pull
2000 lbs @ 90° horizontal pull
Manufactured by Kinedyne Corporation

Chair Leg Stud Quick Release Anchor
P/N MC41528-14

- Use with Browline style track
- Spring loaded fitting snaps securely into place and can be easily moved to different positions.
- Designed to mate with 1" O.D. 0.035" wall tube or a 0.720" O.D. stud.
- 7075 Aluminum



Cargo Tie Down Fittings for Browline Style Track

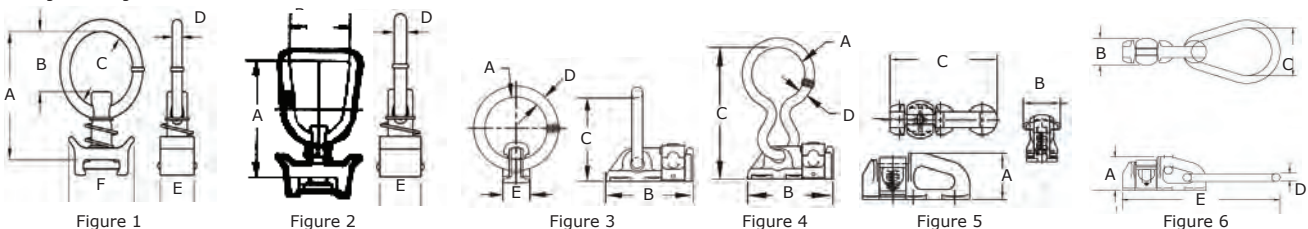
- Use with Browline style track (McFarlane P/N series 6656) or other MS33601 compatible track - sometimes called L-track
- Perfect for net or strap restraint applications
- Spring loaded fitting snaps securely into place and can be easily moved to different positions



P/N	Description	Figure	A	B	C	D	E	F	0° Vertical Working Load Limit lbs.	90° Horizontal Pull Angle Working Load Limit lbs.
32401	Single Stud Fitting with Ring	1	1.99"	0.93"	1.18"	0.19"	0.63"	1.23"	1333	1000
40340-20	Single Stud Fitting with Ring	1	1.87"	0.87"	1.12"	0.19"	0.71"	1.43"	1000	500
40340-21	Single Stud Fitting with D-Ring	2	2.00"	1.09"	0.19"	0.71"	1.43"	1000	500	500
47981-10	Double Stud Fitting with Round Ring	3	1.75"	2.32"	2.34"	0.31"	0.76"		10000	5000
47981-11	Double Stud Fitting with Twisted Ring	4	1.56"	2.32"	3.76"	0.27"	0.76"		5000	5000
32505	Triple Stud Fitting without Ring	5	1.12"	0.90"	2.60"				2167	1670
32507	Triple Stud Fitting with Pear Shaped Ring	6	1.12"	0.90"	1.16"	0.25"	4.90"		2000	1670

1 NSN Number 1670-01-243-8877
2 NSN Number 1670-01-261-0567
3 60° Pull angle working load limit = 2000 lbs.

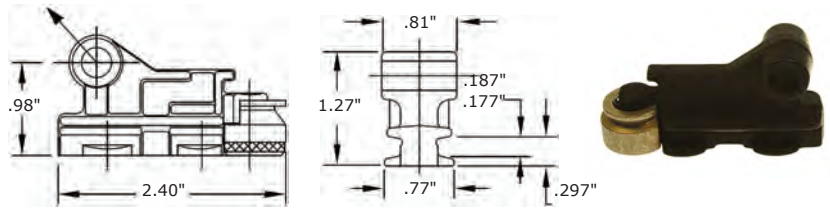
Manufactured by Ankra International



Rear Leg Seat Fitting

P/N 42854-11

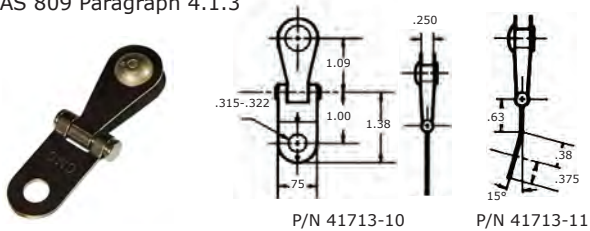
- Compatible with Brownline style track
- 8000 lb load capacity at 48° angle from horizontal
- Cad plated with teflon coating
- Weight .24 lb



Seat Belt Shackles

P/N 41713-10 and 41713-11

- High strength, low profile design
- Made especially for today's lightweight seats
- Stainless steel, cad plated
- Meets the load requirements of NAS 809 Paragraph 4.1.3



Cargo Tie Downs

- Clamps to seat rails to provide tie down points to secure cargo
- 4 required per every 100 lbs of cargo
- Anodized aluminum for durability
- FAA-PMA/STC

Note: This product is not to be used as a seat stop

P/N	Color	Aircraft Model Eligibility
TDC-208	Green	Cessna 208, 208A, and 208B
TDP-31	Blue	Piper PA31, PA31-300,-325,-350, PA31P, PA31P-350, PA31-T, PA31-T1,T2,T3

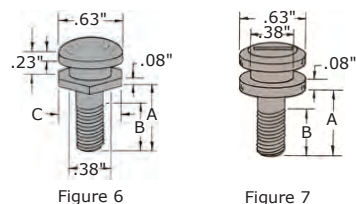
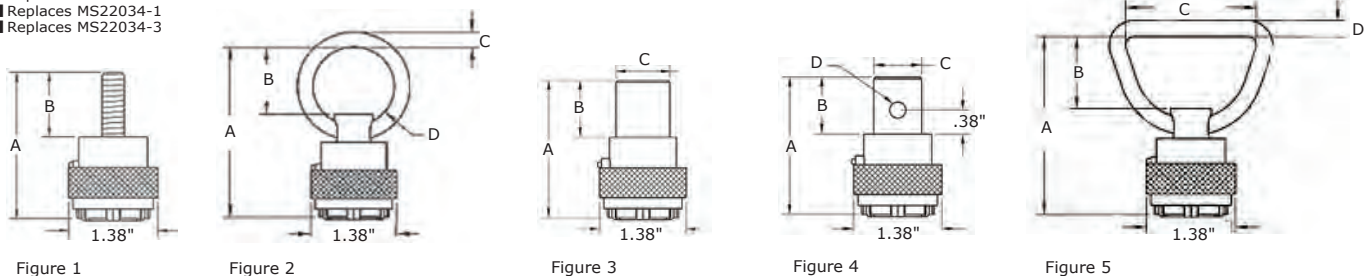
12-Jaw Seat/Cargo Tie Down Quick Disconnect Adapters and Studs

- Spring loaded ring locks jaws around stud, and spring loaded lock pin prevents accidental release
- Use with seat cargo studs shown below. Also works with any MS21234, MS21235 and AM7516 style seat/cargo attach fittings



P/N	Description	Figure	A	B	C	D	0° Vertical Breaking Strength lbs.	90° Pull Angle Breaking Strength lbs.
33115	12-Jaw, Threaded Stud, 1" x 3/8-24UNF Threaded Stud	1	2.26"	1.00"			5475	2300
33116	12-Jaw, Threaded Stud, 3/4" x 3/8-24UNF Threaded Stud	1	2.01"	0.75"			5475	2300
32326	12-Jaw, Ring	2	2.85"	1.13"	0.25"	1.31"	5475	2300
32334	12-Jaw, Chair Leg Stud, 0.85"	3	2.16"	0.90"	0.85"		N/A	2300
32336	12-Jaw, Chair Leg Stud, 0.88" with 1/4" Hole	4	2.16"	0.90"	0.88"	0.25"	5475	2300
32340	12-Jaw, Chair Leg Stud, 0.85" with 1/4" Hole	4	2.16"	0.90"	0.85"	0.25"	5475	2300
32343	12-Jaw, D-Ring	5	2.82"	1.10"	2.01"	0.25"	5475	2300
32367	12-Jaw, Chair Leg Stud, 0.75" with 1/4" Hole	4	2.32"	1.06"	0.75"	0.25"	5475	2300
4015C08A	Stud, Quick Disconnect, SS, 1/4-20, Hex Drive	6	0.628"	0.60"	0.625"			
4015C08B	Stud, Quick Disconnect, SS, 1/4-20, Slot Drive	7	0.628"	0.60"				
4015C12A	Stud, Quick Disconnect, SS, 3/8-24, Hex Drive	6	0.628"	0.60"	0.625"			
4015C12B	Stud, Quick Disconnect, SS, 3/8-24, Slot Drive	7	0.628"	0.60"				

- 1 Replaces MS22034-1B
- 2 Replaces MS22034-2
- 3 Replaces MS22034-1
- 4 Replaces MS22034-3



Ankra Interior Cargo Fittings

McFarlane is now a full distributor!
Quantity discounts available
Call or visit mcfarlaneaviation.com
for more information.

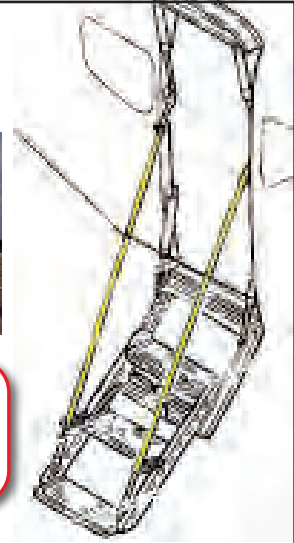


Door Cables for Beechcraft, Cessna, Piper and Lear Aircraft

Save \$\$\$

Pre-stretched, silicone covered aircraft cables are easy to clean, will not crack due to wear or climate changes, does not separate from the cable and remains pliable for easy opening and closing of aircraft doors.

- Hand-crafted with the highest quality standards.
- FAA-PMA Approved
- New color options



Door and Step Parts



Aero-Cable Corp designs and approvals are now owned and manufactured by McFarlane!

Don't settle for the factory color!
Choose a color to match your interior!
 Standard color is indicated for each part number. Add the appropriate color suffix to the P/N to order a different color.

Cessna Twins

Model	Serial Number	Lower Cabin Door Forward	Lower Cabin Door Aft	Cargo Door Fwd and Aft
T303	T30300001 thru T30300247	51-00(303)		
340A	340A0201 thru 340A0600	32-75	31-25	
	340A0601 thru 340A1800	32-75 ¹ , 51-00 ²	31-25 ¹ , 49-75 ²	
402C	340A1801 and on ³	48-75	50-00 ³	
	402C0001 thru 402C0200	32-75 ¹ , 48-75 ²	32-75 ¹ , 50-00 ² ³	31-25 ²
	402C0201 thru 402C0800	51-00 ¹ ⁴ , 32-75 ¹ ⁵ , 48-75 ² ³	49-75 ¹ ⁴ , 32-75 ⁵ , 50-00 ² ³	31-25 ²
404	402C0801 and on	48-75 ³	50-00 ³	31-25 ²
	404-0401 thru 404-0600	32-75	32-75	32-75 ²
414	404-0601 and on	49-75	49-75	32-75 ²
	414-0001 thru 414-0900	56-00	47-625	
414A	414-0901 and On		47-625	
	414A0201 thru 414A0400	31-25 ¹ , 48-75 ²	31-25 ¹ , 48-75 ²	
421A	All		47-625 ²	
421B	421B0001 thru 421B0970		47-625	
	421C0001 thru 421C0200		47-625	
421C	421C0601 thru 421C1000	31-25 ¹ , 48-75 ²	31-25 ¹ , 48-75 ²	
	421C1001 thru 421C1400	51-00 ¹ , 48-75 ²	51-00 ¹ , 48-75 ²	
	421C1401 and on	48-75	48-75	
425	425-0002 thru 425-0176	49-75 ⁷ , 50-00 ³ ⁸	49-75 ⁷ , 50-00 ³ ⁸	
	425-0177 and on	50-00 ³	50-00 ³	
441	441-0071 thru 441-0224	32-75	31-25	
	441-0225 thru 441-0311	49-75 ⁷ , 50-00 ³ ⁸	49-75 ⁷ , 50-00 ³ ⁸	
	441-0312 and on	50-00 ³	50-00 ³	

- ¹ For aircraft incorporating SK421-117
- ² For aircraft NOT incorporating SK421-117
- ³ Eligibility for this aircraft is currently under review.
- ⁴ Used with pneumatic extender
- ⁵ Used without pneumatic extender
- ⁶ Eligibility for this aircraft is currently under review.
- ⁷ For aircraft incorporating SK441-71
- ⁸ For aircraft NOT incorporating SK441-71
- ⁹ This cable is used at both the forward and aft location

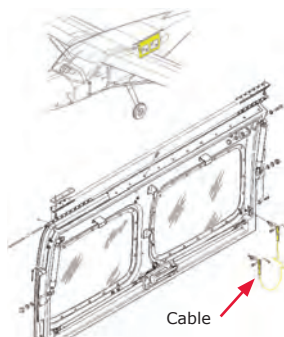


Silicone Covering Color Chart		
Description	Color Suffix	
Gray Si cover Pantone 409C		-LTGYO
Butternut Si cover Fed Spec 30145		-MDBNO
Black Si cover Fed Spec 27038		-DKBKO
Green Si cover Pantone 5783U		-LTGNO
Gray Si cover Fed Spec 26008		-DKGYO
Gray Si cover Fed Spec 36173		-DKGY1
Translucent (no color)		-LTTLO

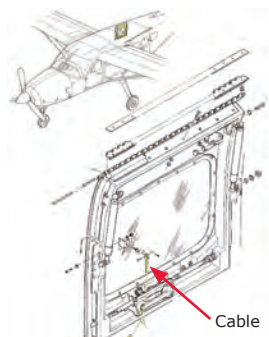
Cable Specs				Supersedures	
P/N	Length	End Types	Std Color	Cessna P/N	Aero-Cables P/N
31-25	31.25"	Eye/Stud	-LTGNO	10888	51-00 (T303)
32-75	32.75"	Eye/Stud	-LTGNO	5111508-59	47-625
47-625	47.625"	Eye/Stud	-LTGNO	5111561-22	56-00
48-75	48.75"	Stud/Stud	-LTGNO	71540-1	32-75
49-75	49.75"	Eye/Stud	-LTGNO	71540-10	50-00
50-00	50.00"	Stud/Stud	-LTGNO	71540-2	31-25
51-00	51.00"	Eye/Stud	-LTGNO	71540-3	51-00
51-00(303)	51.00"	Eye/Fork	-DKGYO	71540-4	49-75
56-00	56.00"	Eye/Stud	-LTGNO	71540-6	49-75
				71540-7	51-00
				71540-8	49-75
				71540-9	48-75

Cessna 208 Caravan

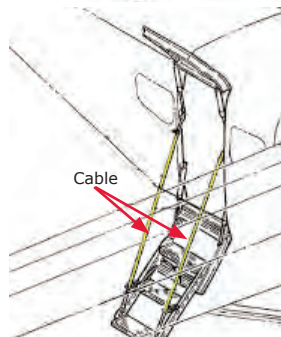
Model	S/N	P/N	Location	Std Color
208, 208B	All	S2837-1EH	Passenger Door Step, Lower	LTGNO
		S2837-2EH	Passenger Door Step, Lower, (Float Plane)	LTGNO
		S2814-1EH	Cargo Door Pull, Upper	LTGNO
		S2814-2EH	Passenger Door Pull, Upper	LTGNO
Now manufactured by McFarlane			Only standard color available	LTGNO



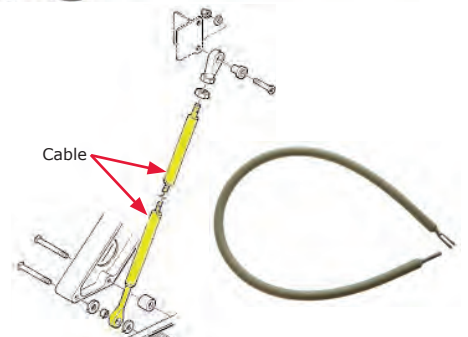
S2814-1EH Installation



S2814-2EH Installation



S2837-1EH or S2837-2EH Installation



Eligibility continues on the next page

FAA-PMA Approved

Door and Step Parts

Beechcraft - Handrail and Door Support Cables								
Model	Serial Number	Cabin Door Upper	Cabin Door Lower	Handrail Fwd Lower	Handrail Aft Upper	Handrail Aft Lower	Airstair Door	Other Locations
65	LC-15 and on	6800	2275					
65-80, 65-A80	All	6800	2275					
65-B80, 65-88								
65-90, 65-A90, 65-B90								
C90				LJ-685 thru LJ-1010	6900	2375		
C90, C90A	LJ-1011 thru LJ-1287				6900	2375		
C90A	LJ-1288 thru LJ-1755			2300 ¹	6900	2375		
E90	LW-179 and on	6900	2375					
F90	All				6900	2375		
100	B-2 thru B-51	6800	2275					
100, A100, B100	B-52 and On	6900	2375					
B200, B200T	All			2300	6900	2375		7618 7405 3904 3636
B200C, B200CT							6300 ⁷ ⁹ 2375 ⁸	
300, 300LW					6900	2375		
B300	All			2300	6900	2375		
B300C	All						6300 ⁷ ⁹ 2375 ⁸	
1900, 1900C	All						7600 ⁸ 7310 ⁴ ² 2100 ⁵ 1790 ⁶ ² 1528 ⁴	7525 ² 3750 ² ⁹ 7225 ² 3437 ²

- ¹ Except for S/Ns LJ-1289 thru LJ-1294, and LJ-1296 thru LJ-1299
- ² Eligibility for this aircraft is currently under review.
- ³ Fwd Door, Fwd and Aft
- ⁴ Aft Door, Fwd and Aft
- ⁵ Fwd and Aft Door, Aft
- ⁶ Fwd and Aft Door, Fwd
- ⁷ Upper
- ⁸ Lower
- ⁹ Price list shows this P/N with (CABLE) suffix.



Silicone Covering Color Chart		
Description	Color Suffix	
Gray Si cover Pantone 409C		-LTGYO
Butternut Si cover Fed Spec 30145		-MDBNO
Black Si cover Fed Spec 27038		-DKBKO
Green Si cover Pantone 5783U		-LTGNO
Gray Si cover Fed Spec 26008		-DKGYO
Gray Si cover Fed Spec 36173		-DKGY1
Translucent (no color)		-LTTLO

Cable Specs				Supersedures	
P/N	Length	End Types	Std Color	Beech P/N	Aero-Cables P/N
1528	15.37"	Fork/Stud	-DKGYO	132427-A40	7525
1790	17.90"	Fork/Fork	-DKGYO	132538-A13	6300 (CABLE)
2100	21.00"	Fork/Fork	-DKGYO	132538-A18	2170
2170	21.70"	Eye/Stud	-DKGYO	132538-A19	2375
2275	22.70"	Eye/Fork	-DKGYO	132538-A20	6900
2300	22.60"	Fork/Stud	-DKGYO	132538-A21	2300
2375	23.60"	Fork/Fork	-DKGYO	132538-A28	7600
3437	34.40"	Fork/Fork	-DKGYO	132538-A29	7310
3636	36.36"	Fork/Fork	-DKGYO	132538-A3	6800
3904	39.04"	Fork/Fork	-DKGYO	132538-A30	2100
6800	68.00"	Eye/Fork	-DKGYO	132538-A32	1790
6900	68.80"	Fork/Fork	-DKGYO	132538-A34	1528
7225	72.39"	Fork/Short Stud	-DKGYO	132538-A37	3904
7310	73.10"	Fork/Fork	-DKGYO	132538-A4	2275
7405	74.05"	Fork/Stud	-DKGYO	132538-A41	3750 (CABLE)
7525	75.27"	Fork/Short Stud	-DKGYO	132538-A42	7225
7600	76.00"	Fork/Fork	-DKGYO	132538-A43	3437
7618	76.18"	Fork/Stud	-DKGYO	1440-13	6300 (CABLE)
3750 (CABLE)	37.62"	Fork/Fork	-DKGYO	1440-18	2170
6300 (CABLE)	63.00"	Eye/Fork	-DKGYO	1440-19	2375
				1440-20	6900
				1440-21	2300
				1440-28	7600
				1440-29	7310
				1440-3	6800
				1440-30	2100
				1440-32	1790
				1440-34	1528
				1440-35	7618
				1440-36	7405
				1440-37	3904
				1440-38	3636
				1440-4	2275
				1440-40	7525
				1440-41	3750 (CABLE)
				1440-42	7225
				1440-43	3437

Piper Twins

Model	Serial Number	Cabin Door Step Support	Cabin Entrance Door	Cargo Door Upper	Cargo Door Lower	Other Locations
PA-31-300	31-228 thru 31-511		48500 (rear)	227 ³	236 ¹ ³	
PA-31-310	31-5 thru 31-104			227	236 ¹	
PA-31-310	31-105 thru 31-900 31-7300901 and on		48500 (rear)	227	236 ¹	
PA-31-310	31-8312001 to 31-8312019		50000 (front) 48500 (rear)	227	236 ¹	
PA-31-325	31-7400990 thru 31-8212036		48500 (rear)	227 ³	236 ¹ ³	
PA-31-325	31-8312001 thru 31-8312019		50000 (front) 48500 (rear)	227 ³	236 ¹ ³	
PA-31-350	31-5001 thru 31-8252085		48500 (rear)	227 ³	236 ¹ ³	
PA-31-350	31-8352001 and on		50000 (front) 48500 (rear)	227 ³	236 ¹ ³	
PA-31T	31T-7400002 thru 31T-8120061	73000 (fwd) 70000 (aft) ⁴				40250
PA-31T	31T-8120062 and on	73000 (fwd) 70000 (aft) ⁴	41250 (lower) 30250 (upper) ⁵			40250
PA-31T1	31T-1104004 thru 31T-8304003	73000 (fwd) 70000 (aft) ⁴	41250 (lower) 30250 (upper) ⁵			40250
PA-31T2	31T-1166001 thru 31T-8166076	73000 (fwd) 70000 (aft) ⁴	41250 (lower) 30250 (upper) ⁵			40250
PA-42	48-7800001 thru 48-8001035	73000 (fwd)				40250
PA-60-600	All					40250
PA-60-601P, 602P, 700P	All					31125 ⁶ 31750 ⁶ SP31125 ⁷ ⁹ SP31750 ⁸ ⁹

- ¹ Cable with link
- ² Cable without link
- ³ Eligibility for this aircraft is currently under review.
- ⁴ Used if cargo door is NOT installed
- ⁵ Used if cargo door is installed
- ⁶ Used on pressurized aircraft
- ⁷ Used on non-pressurized aircraft
- ⁸ Cable is not FAA-PMA approved



Silicone Covering Color Chart		
Description	Color Suffix	
Gray Si cover Pantone 409C		-LTGYO
Butternut Si cover Fed Spec 30145		-MDBNO
Black Si cover Fed Spec 27038		-DKBKO
Green Si cover Pantone 5783U		-LTGNO
Gray Si cover Fed Spec 26008		-DKGYO
Gray Si cover Fed Spec 36173		-DKGY1
Translucent (no color)		-LTTLO

Cable Specs				Supersedures	
P/N	Length	End Types	Std Color	Piper P/N	A/C P/N
227	22.70"	Fork/Stud	-DKGYO	01679-003	41250
236	23.60"	Stud/Stud	-DKGYO	01679-004	30250
30250	30.25"	Eye/Stud	N/A	250039-001	SP31125
31125	31.125"	Eye/Fork	-LTTLO	250039-501	SP31750
31750	31.75"	Eye/Fork	-LTTLO	250039-503	31125
40250	40.25"	Fork/Stud	-DKGYO	250039-505	31750
41250	41.25"	Fork/Stud	-DKGYO	44523-003	48500
48500	48.50"	Eye/Stud	-DKGYO	44523-004	50000
50000	50.00"	Eye/Stud	-DKGYO	44562-000	227
70000	70.00"	Stud/Stud	-DKGYO	44563-000	236
73000	73.00"	Stud/Stud	-DKGYO	44563-000	330
SP31125	31.125"	Eye/Fork	-DKGYO	47716-004	70000
SP31750	31.75"	Eye/Fork	-DKGYO	47716-005	73000
				72930-009	40250

Nosecone Baggage Door Latch/Lock Kits for Piper Aircraft

Save \$\$\$ Satisfying AD2009-13-06R1 Requirements for PA-23, PA-31, and PA-42 Series Aircraft

Improved FAA-PMA direct replacement lock and placard kits and convenient kits for all hardware required by Piper Service Bulletin 1194B to comply with AD2009-13-06R1. This AD requires a placard on the baggage door, lube and inspection of all door latching components every 100 hours and replacement of many of the components every 1000 hours.

Lock Assembly Kit P/N MC88409-002

- Pre-assembled lock and offset cam helps prevent installation mistakes
- Includes clear instructions
- FAA-PMA direct replacement

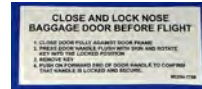
Placard Kit P/N MC88451-002

- Kit contains both a black and white version to contrast with any paint scheme
- FAA-PMA direct replacement

Complete Kits with All 1000 Hour Mandatory Replacement Hardware

Contains: MC88409-002, standard hardware, Piper original springs

Model	Complete Hardware Kit	Lock Assembly Kit	Placard Kit
PA-23-250, PA-E23-250	PBDL-KT-1	MC88409-002	MC88451-002
PA-31, PA-31-300, PA-31-325	PBDL-KT-2	MC88409-002	MC88451-002
PA-31-350 and T-1020	PBDL-KT-2	MC88409-002	MC88451-002
PA-31P, PA-31P-350	PBDL-KT-3	MC88409-002	MC88451-002
PA-31T, PA-31T1, PA-31T2, PA-31T3	PBDL-KT-3	MC88409-002	MC88451-002
PA-42, PA-42-720	PBDL-KT-3	MC88409-002	MC88451-002
PA-42-1000	PBDL-KT-3 (Forward)	MC88409-002	MC88451-002
	PBDL-KT-4 (Aft)	MC88409-002	MC88451-002



Lock Assembly Kit P/N MC88409-002



Cabin Entry Step for Cessna Aircraft

P/Ns WAC711006-1 (left), -2 (right)

- Stronger than the original
- Streamline tubing
- Internally oiled and sealed to prevent corrosion
- Direct replacement for original
- Includes anti-slip tape P/N WAC711006-8
- Step coated with white epoxy primer only (to paint, clean with pre-paint cleaner and scuff lightly with a Scotch-Brite pad or fine sand paper)



Model	Serial Number
170, 170A,B	18000 thru 27169
180, 180A,B,C,D,E,F,G,H	30000 thru 18051875
185, 185A,B,C,D,E, A185E	1850001 thru 1851300

■ Partial model eligibility

Boot Cowl Handle

Slightly larger to accommodate gloves!
P/N 3354H

180H,J, A185E,F, U206/TI206A,B,C,D,E,F,G, P206/TP206A

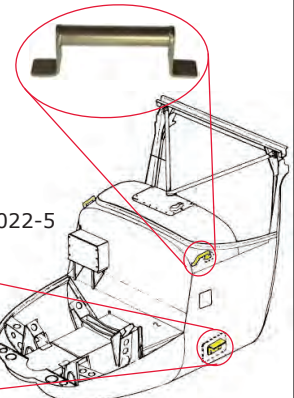
- Includes doubler
- Undrilled
- May not match up with existing bolt pattern due to alternate styles used by OEM.
- Replacement for P/N 0713191-1

Boot Cowl Step

Slightly larger to accommodate hunting and fishing footwear!
P/N 3354S

U206/TU206A,B,C,D,E,F,G, P206/TP206A

- Includes doubler
- Undrilled
- White powder coating
- Direct replacement for P/N 124022-5
- 2 per aircraft



Manufactured by F Atlee Dodge

Door Latch for Piper Navajo PA-31 Aircraft

P/N AF472-004 approved for all PA-31-310, 325, and 350 models with and without extended cargo door

- Improved wear resistance
- Precision wire EDM machined from solid stainless steel
- Precision fit - drop in direct replacement
- Will not deform after extended use!



Manufactured by Airforms, Inc.

Nose Baggage Compartment Cargo Door

Up Latch for all Cessna 207 Aircraft

No more holding up the door while loading!

P/N AF1213922-1

- Improved strength
- Nickel plated for corrosion resistance



Manufactured by Airforms, Inc.

Main Gear Long Step

Much easier cabin entry!
Easy clamp-on modification
P/N 3195

FAA-PMA/STC



AE-1, HE-1, J3, J4, J5, PA11, PA12, PA14, PA18, PA19 Series

The Main Landing Gear Long Step is usable on both sides of the aircraft as an entry step or refueling step. Heavy tube with three sizes of clamps.

- A must for bush gear and tires
- Alaska tested
- Durable non-skid surface stays on
- Powder coated white for durable corrosion resistance
- Available in "Wolf Hunter" Black for an additional charge

Manufactured by F Atlee Dodge

Refueling Step

No more step ladders
P/Ns 3190/-10, 3190/-11, 3190/-12

FAA-PMA/STC

J3C-65, J3F-50, J3F-60, J3F-65, J-3L, J3L-65, J-4, J-4A, J-4B, J-5A, J5C, PA-11, 12, 14, 15, 16, PA18-105, 125, 135, A-135, 150, A-150, PA-19, PA-20, PA-20-115, PA-20-135, PA-22-108, 135, 150, 160

Clamps onto the main gear leg for easier refueling.

- Select part number by landing gear front tube OD:
1.25" OD use P/N 3190/-10
1.375" OD use P/N 3190/-11
1.5" OD use P/N 3190/-12
- Powder coated white (available in "Wolf Hunter" Black for an additional charge)



Manufactured by F Atlee Dodge

FAA-PMA Approved

Door and Step Parts

Door and Window Seals for Beechcraft, Cessna, Mooney, and Piper Aircraft

High performance aircraft door and window seals!

Nearly a year of development and testing went into creating this revolutionary new sealing material. These new seals for general aviation aircraft are the result of a space age material developed for NASA. The new seals are superior to any seal on the market! The hybrid rubber compound sealing material is unique because it compresses under pressure from the door. When the door stops applying pressure against the seal, the seal no longer compresses and actually makes an impression of the surface pressing against it. This seal conforms to surfaces so well that when you open the door you will actually see a perfect imprint in the seal of every rivet and seam!

- FAA-PMA Approved and made in the USA!
- Conforms to sealing surfaces to create a perfect sealing bond
- Custom extruded from a special hybrid rubber compound
- Seal compresses from its full thickness to as small as 1/32".
- Available at a fraction of the cost of OEM seals
- Airtight and watertight fit
- Greatly reduces cabin noise

Seal Lube P/N ADS-SL101

- Apply yearly to keep door seal looking like new!
- Doors and windows close easier without sticking!
- It only takes minutes to apply
- Assures maximum life for your door and window seals
- One 1/4 oz. tube will last about a year

Weatherstrip Adhesive

McFarlane recommends using 3M products purchased from your local auto parts store.

Most weatherstrip adhesives are contact type adhesives that bond quickly when two coated surfaces are allowed to become tacky and then pressed together.



P/N ADS-B115	P/N ADS-B127	P/N ADS-B139	P/N ADS-B250	P/N ADS-C1401
P/N ADS-P301-23	P/N ADS-500-602	P/N ADS-500-1002	P/N ADS-500-1003	P/N ADS-900900



Part Number	Location
ADS-B115 1	Main Cabin Door, Hinge Block (2pk)
ADS-B127 1,6	Front Entry Door
ADS-B131 3	Emergency Exit Window thru 1979
ADS-B132 3	Emergency Exit Window 1980 and On
ADS-B133 4	Cabin Baggage Door (Includes large door)
ADS-B137 3	Storm Window, Frameless
ADS-B139 3	Storm Window, Framed
ADS-B250 2	Nose Baggage Door Kit
ADS-B270 4,7	Aft Utility Door
ADS-500602 2,8	Aft Entry Cargo Door, Fuselage Mount
ADS-500-700 2	Forward Baggage Door
ADS-900900 3	Window Seal
ADS-C1401 4	Entry Door, Front
ADS-C1402 4	Baggage Door, Aft
ADS-C1420 4	Entry Door, Front
ADS-C1422 4	Baggage Door, Aft
ADS-500-1002 2	Baggage Door, Aft
ADS-500-1003 3	Vent Window
ADS-M1201 4	Entry Door
ADS-P301-1 4	Entry Door, Front, thru 1975
ADS-P301-23 4	Entry Door, Front, 1976 and On
ADS-P302 3	Vent Window
ADS-P303 4,9	Baggage, Aft
ADS-P304 4	Entry Door, Aft No Cargo Door
ADS-P305 5	Entry Door, Aft With Cargo Door

Aircraft Model

Aircraft Model	ADS-B115 1	ADS-B127 1,6	ADS-B131 3	ADS-B132 3	ADS-B133 4	ADS-B137 3	ADS-B139 3	ADS-B250 2	ADS-B270 4,7	ADS-500602 2,8	ADS-500-700 2	ADS-900900 3	ADS-C1401 4	ADS-C1402 4	ADS-C1420 4	ADS-C1422 4	ADS-500-1002 2	ADS-500-1003 3	ADS-M1201 4	ADS-P301-1 4	ADS-P301-23 4	ADS-P302 3	ADS-P303 4,9	ADS-P304 4	ADS-P305 5	
Beechcraft																										
35-33, 35-A33, 35-B33, 35-C33, 35-C33A, E33, F33C, G33	•	•	•	•	•	•	•	•																		
E33A	•	•	•	•	•	•	•	•																		
E33C, F33, F33A	•	•	•	•	•	•	•	•																		
35, A35	•	•	•	•	•	•	•	•																		
B35, C35, D35, E35, F35, G35, H35, J35, K35, M35, N35, P35, S35, V35, V35A, V35B, 35R	•	•	•	•	•	•	•	•																		
36, A36, A36TC, B36TC	•	•	•	•	•	•	•	•																		
G36	•	•	•	•	•	•	•	•																		
50(L-23A), B50(L-23B), C50, D50(L-23E), D50A, D50B, D50C, D50E, D50E-5990, E50(L-23D, RL-23D), F50, G50, H50, J50	•	•	•	•	•	•	•	•																		
19A, B19, M19A, 23, A23, A23A, A23-19, A23-24, B23, C23, A24, A24R, B24R, C24R	•	•	•	•	•	•	•	•																		
95-B55, 95-B55A, 95-B55B(T-42A), 95-C55, 95-C55A, G58, D55, E55, E55A, 56TC, 95, B95, B95A, D95A, E95, 95-55, 95-A55	•	•	•	•	•	•	•	•																		
58, 58A, 58TC, 58TCA	•	•	•	•	•	•	•	•																		
D55A, A56TC	•	•	•	•	•	•	•	•																		
76, 77	•	•	•	•	•	•	•	•																		

Notes can be found on the next page.

Continues on next page



Door and Step Parts



FAA-PMA Approved

Continued from previous page



ADS-P301-1

ADS-500-1002

Aircraft Model

Aircraft Model	Part Number	Location
Cessna		
120, 140, 140A	ADS-B115 1	Main Cabin Door, Hinge Block (2pk)
150, 150A,B,C,D,E,F,G,H,J,K,L,M	ADS-B127 2,6	Front Entry Door
152, A152	ADS-B131 3	Emergency Exit Window thru 1979
170, 170A,B	ADS-B132 3	Emergency Exit Window 1980 and On
172, 172A,B	ADS-B133 4	Cabin Baggage Door (includes large door)
172C,D,E,F,G,H,I,K,L,M,N,P,Q,S, 172RG, P172D, R172K	ADS-B137 5	Storm Window, Frameless
175, 175A,B,C	ADS-B139 3	Storm Window, Framed
177, 177A,B, 177RG	ADS-B250 2	Nose Baggage Door Kit
180, 180A,B,C,D,E,F,G,H,J,K	ADS-B270 7,7	Aft Utility Door
182, 182A,B,C,D,E,F,G,H,J,K,L,M,N,P,Q,R,S,T	ADS-500602 2,8	Aft Entry Cargo Door, Fuselage Mount
A182J,K,L,N, R182, T182, T182T, TR182	ADS-500-700 2	Forward Baggage Door
185, 185A,B,C,D,E	ADS-900900 3	Window Seal
190, 195, 195A,B	ADS-C1401 4	Entry Door, Front
210-5 (205), 210-5A (205A)	ADS-C1402 4	Baggage Door, Aft
206H, T206H, U206, U206A,B,C,D,E,F,G, TU206A,B,C,D,E,F,G	ADS-C1420 4	Entry Door, Front
P206, P206A,B,C,D,E, TP206A,B,C,D,E	ADS-C1422 4	Baggage Door, Aft
207, 207A, T207, T207A	ADS-500-1002 2	Baggage Door, Aft
210A,B,C,D,E,F,G,H,J,K,L,M,N,R, T210F,G,H,J,K,L,M,N,R	ADS-500-1003 3	Vent Window
336, 337, 337A,B,C,D,E,F,G,H	ADS-M1201 4	Entry Door
F337E,F,G,H, T337B,C,D,E,F,G,H	ADS-P301-1 4	Entry Door, Front, thru 1975
Mooney		
M20, M20A,B,C,D,E,F,G,J,K,L,M,R,S	ADS-P301-23 4	Entry Door, Front, 1976 and On
Piper		
PA-28-140	ADS-P302 5	Vent Window
PA-28-150, PA-28-160, PA-28-180, PA-28R-180	ADS-P303 7,9	Baggage, Aft
PA-28-151, PA-28-161, PA-28-181	ADS-P304 4	Entry Door, Aft No Cargo Door
PA-28S-160, PA-28S-180	ADS-P305 5	Entry Door, Aft With Cargo Door
PA-28R-200		
PA-28R-201		
PA-28-201T, PA-28R-201T, PA-28RT-201, PA-28RT-201T		
PA-28-235		
PA-28-236		
PA-32-260, PA-32-300, PA-32R-300		
PA-32-301, PA-32-301T, PA-32R-301(HP), PA-32R-301(SP), PA-32R-301T,		
PA-32RT-300, PA-32RT-300T		
PA-34-200		
PA-34-200T, PA-34-220T		

- 1 Kit contains 2 hinge seals, instructions and a packet of seal lube.
- 2 Kit includes seals for one door, installation instructions and seal lube. Seal has an adhesive backing and does not require additional adhesive.
- 3 Kit includes seal for one window, installation instructions and seal lube. Seal has an adhesive backing and does not require additional adhesive.
- 4 Kit includes seal for one door, installation instructions and seal lube.
- 5 Kit contains seals for one passenger door, one cargo door, instructions and seal lube.
- 6 Contains P/Ns ADS1200-7 (1 ea), ADS1200-11 (1 ea), ADS1200-15 (2 ea).
- 7 Contains one each of the following P/Ns ADS1200-3-1, ADS1200-3-2, ADS1200-3-3, ADS1200-3-4, ADS1200-3-5, ADS1200-3-6, ADS1200-3-7, ADS1200-3-8, ADS1200-3-9.
- 8 Contains one each of the following P/Ns 500-602, 500-602-3.
- 9 Contains one each of the following P/Ns ADS1200-303-1, ADS1200-303-2, ADS1200-303-3, ADS1200-303-4.

Manufactured by Knots 2U

Passenger Door Step for Cessna Caravan

Durable Aluminum Step with STC!
P/N AF2617076-1 or P/N KIT-AF2617076-1 (contains three steps)
 Engineered for increased longevity and constructed solely from aluminum to eliminate the incidence of delaminating. Direct replacement for Cessna P/Ns 2617076-1 (lower), 2617076-10 (upper) and 2617076-11 (middle).

- Fits all Cessna 208/208B Aircraft
- Slip resistant tape
- Withstands significantly more weight than OEM part
- Longer service life
- More resistant to weather and moisture

Manufactured by Airforms Inc.

www.mcfarlaneaviation.com

Kodiak Extended Crew Door Steps

Add a second step for the crew door, below the level of the original step
P/N AT-QK-ST

- Easier access for the crew to the cockpit
- Can be powder coated to match aircraft color
- Top step can be monogrammed with lettering (additional cost)

Manufactured by Aero Twin, Inc.

Items on this page: ⚠ WARNING: Cancer and/or Reproductive Harm - www.P65Warnings.ca.gov

FAA-PMA Approved

Cabin Door Hinges for Cessna 170, 172, 175 Series Aircraft

- FAA-PMA approved welded design
- Thicker alloy steel
- Heat-treated for extra strength and wear resistance
- Precision pin holes for longer life
- Straight or bent hinges available — check your aircraft to order the correct style
- Pre-drilled and epoxy primed

**Now Approved
Cessna 170 Series
Cabin Door Hinges!**

Cabin Door Hinge Pin

Don't trust those old brass pins!

- Fast door removal — makes cabin maintenance easier!
- FAA-PMA approved design 5x stronger with stainless steel
- Easy to inspect secure safety pin design



P/N MC0511280-5

P/N MC0517019-1

P/N MC0511280-3



P/N 7205-2.00U

**Now Available:
Complete Hinge Pin Kit**
P/N CDHP-KT-1

Contains:
P/N 7205-1.63D, qty 1
P/N 7205-1.63U, qty 1
P/N 7205-2.00U, qty 2



Maintenance Tip:

The Cessna doors have tremendous leverage on the forward door seals. Door hinge and hinge pins can easily be over stressed and fail if incorrect door seals are installed. **ALWAYS USE APPROVED DOOR SEALS DESIGNED FOR YOUR AIRCRAFT. Door Seals on pages 264-265.**

Maintenance Tip for Door Hinge Replacement:

To install new hinges, temporarily attach the replacement hinges to the door using temporary fasteners. Install the door and hinge pins. Verify the door alignment with the door opening. The leading edge of the door should be approximately flush with the adjacent door post skin. Minor bends can be made to the upper hinges to perfect the door fit.

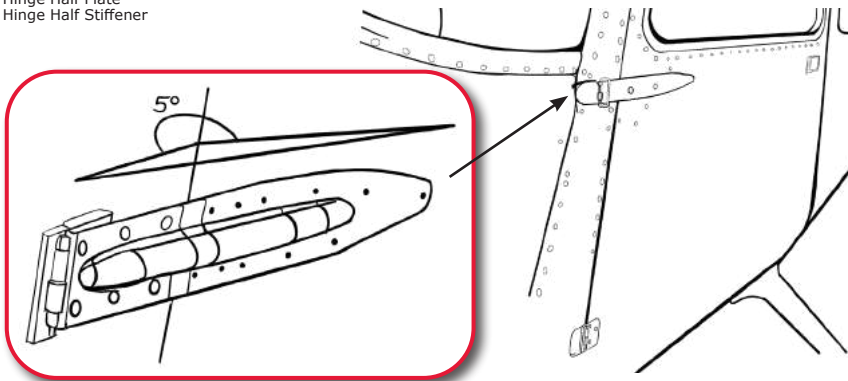
Please reference ICA at www.mcfarlaneaviation.com/media/documents/doc-7089.pdf

**Now Approved
Cessna 170 Cabin
Door Hinges!**

Aircraft	Serial Number	Hinge Pins		Door Hinge Half										Door Hinge Assembly					
		Upper		Lower		Upper Fwd		Upper Aft		Lower Fwd		Lower Aft		Upper		Lower			
		LH	RH	LH	RH	LH	RH	LH	RH	LH	RH	LH	RH	LH	RH	L/R	RH		
		2	2	2	1	2	2	2	2	2	2	2	2	2	2	2	2	2	
170, 170A, B	18000 thru 26995	2	2	2	1	2	2	2	2	2	2	2	2	2	2	2	2	2	
170B1	26996 and On	2	2	2	1	2	2	2	2	2	2	2	2	2	2	2	2	2	
172, 172A, B, C, D, E, F, G, H, I, K, L, M	28000 thru 17265684	2	2	2	1	2	2	2	2	2	2	2	2	2	2	2	2	2	
172M	17265685 and On	2	2	2	1	2	2	2	2	2	2	2	2	2	2	2	2	2	
172P, Q, R, S, 172RG	All	2	2	2	1	2	2	2	2	2	2	2	2	2	2	2	2	2	
F172D, E, F, G, H, K, L, M	F172-0001 thru F17201384	2	2	2	1	2	2	2	2	2	2	2	2	2	2	2	2	2	
F172M	F17201385 thru F17202039	2	2	2	1	2	2	2	2	2	2	2	2	2	2	2	2	2	
F172P	All	2	2	2	1	2	2	2	2	2	2	2	2	2	2	2	2	2	
FR172E, F, G, H, J	FR17200001 thru FR17200559	2	2	2	1	2	2	2	2	2	2	2	2	2	2	2	2	2	
FR172J	FR17200562 thru FR17200665	2	2	2	1	2	2	2	2	2	2	2	2	2	2	2	2	2	
FR172K	FR17200666 thru FR17200675	2	2	2	1	2	2	2	2	2	2	2	2	2	2	2	2	2	
P172D	All	2	2	2	1	2	2	2	2	2	2	2	2	2	2	2	2	2	
R172E, F, G, H	All	2	2	2	1	2	2	2	2	2	2	2	2	2	2	2	2	2	
R172K	R1722000 thru R1723399	2	2	2	1	2	2	2	2	2	2	2	2	2	2	2	2	2	
	R1723400 thru R1723454	2	2	2	1	2	2	2	2	2	2	2	2	2	2	2	2	2	
175, 175A, B, C	All	2	2	2	1	2	2	2	2	2	2	2	2	2	2	2	2	2	

Notes:

- 1 Partial model eligibility
- 2 The hinge pins are not compatible with emergency door release systems.
- 3 To order the hinge undrilled add "S" to the suffix, example MC0511237-1S.
- 4 To order the hinge bent add "B" to the suffix, example MC0511238-7B.
- 5 Hinge Half Plate
- 6 Hinge Half Stiffener



Bent or Straight?

Ensure the right fit for your Cessna!

Cessna legacy airplanes, built prior to 1979, feature a door post skin that angles inward (toward the front edge of the door, as seen in the figure). Aircraft with this bend require a hinge with a 5° bend for correct installation. Later models and new production aircraft do not have this inward angle and use a straight hinge.

McFarlane manufactures both bent and straight hinges. **We HIGHLY recommend verifying your door hinges before ordering.** When in the field, replicating the 5° bend from a straight hinge is very difficult and rarely correct. Let us take away the worry and provide you with the correct hinges today!

Cabin and Cargo Door Hinges for Cessna 180, 182, 185, 205, 206, 207 and 210 Series

- FAA-PMA approved with improved machined design
- Better fit and form than competitor's forged hinges!
- Available drilled or un-drilled
- Save \$\$\$



**Now Approved
Cessna 180 & 200
Cabin Door Hinges!**

Quick Removal Clevis Pin and Cotter Key

New and improved design replaces staked-in hinge pin!

- FAA-PMA approved design replaces staked-in Cessna hinge pin
- Easy door removal for maintenance
- Corrosion resistant

**Now Approved
Cessna 180 & 200
Cabin Door Hinges!**

Aircraft

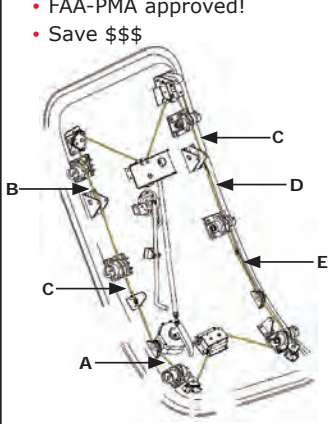
	Hinge Pin		Cabin Door Hinge Half								Cargo Door Hinge Half							
	Cabin Door	Baggage Door	Upper LH		Upper RH		Lower LH		Lower RH		Fwd Upper		Fwd Lower		Aft Upper		Aft Lower	
			Fwd	Aft	Fwd	Aft	Fwd	Aft	Fwd	Aft	Fwd	Aft	Fwd	Aft	Fwd	Aft	Fwd	Aft
MC0711038-1	2	2	3	3	3	3	3	3	3	3	3	3	3	3	3	3	3	3
MC0711037-15																		
MC0711037-23																		
MC0711037-14																		
MC0711037-22																		
MC0711037-10																		
MC0711037-3																		
MC0711037-11																		
MC0711037-4																		
MC1211661-4																		
MC1211661-9																		
MC1211661-1																		
MC1211661-2																		
MC1211661-6																		
MC1211661-8																		
MC1211661-5																		
MC1211661-7																		

- Notes:**
- 1 All serials for all aircraft models are eligible for the indicated part numbers.
 - 2 The hinge pins are not compatible with emergency door release systems.
 - 3 To order the hinge undrilled add "S" to the suffix, example MC0711037-15S

Early Cessna Door Hinges – 120, 140, and 150 series coming soon!

Beechcraft - Airstair Door Latch Cables

- FAA-PMA approved!
- Save \$\$\$

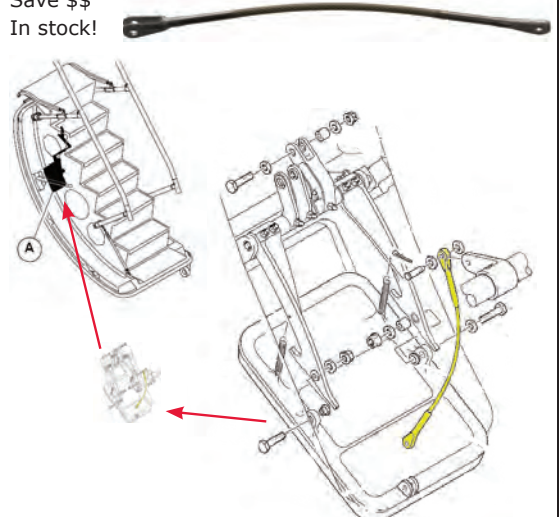


Beechcraft - Airstair Door Latch Cables			
Model	Serial Number	Airstair Door Latch	Index
1900, 1900C, 1900C (C-12J)	All	114-514030-1AC	A
		114-514030-9AC	B
		114-514030-13AC	C
		114-514030-17AC	D
		114-514030-21AC	E
1900D	All	129-514059-1AC	
		129-514059-13AC	
		129-514059-25AC	
		129-514059-33AC	

Ice-Break Cable Assembly for Bombardier Aircraft

CL-600 2C10, 2C11, 2D15, 2D24
P/N 601R318127-3AC

- FAA-PMA approved
- Save \$\$
- In stock!



Beechcraft - Double Ball End Cable

1900, 1900C, 1900C (C-12J)

P/N 2R59573001-1AC

- FAA-PMA approved
- Direct replacement for OEM cable assembly
- In stock!



FAA-PMA Approved

AeroLEDs Lighting

Increase safety and reduce operating cost!
See the Difference...

Lighting



Know the Difference...

- Increased safety
- Direct replacement
- Up to 80% reduced power consumption
- Long life - over 50,000 hours!
- Lighter weight
 - no heavy power supply
 - save up to 3 lbs
- Reduced drag
- Zero maintenance
- **10x more efficient than incandescent!**

Increased Safety

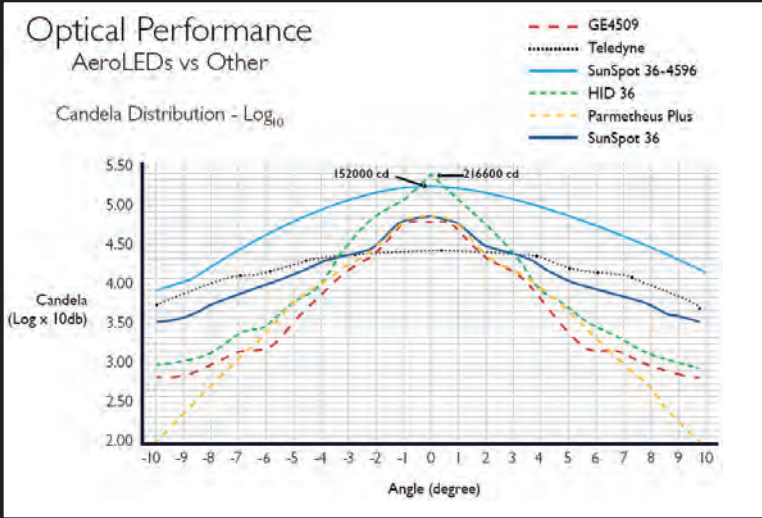
AeroLED lights allow you to comply with the latest FAA recommendations (Operation Lights On) regarding extended use of taxi, landing, and anti-collision lights without fear of reduced light performance or life. They all feature optimized light color (6500k sunlight equivalent) for proven superior air-to-air recognition. The landing and taxi lights also feature an optional pulsed recognition light mode.

Reduced Power Consumption

High efficiency LED lights use less than 1/3 the power of halogen bulbs. They significantly reduce the load on the electrical system and they won't dim due to low voltage, typical of low RPM final approaches when you need them most! Position lights aerodynamic design results in less drag than original equipment!

Longer Life - Zero Maintenance

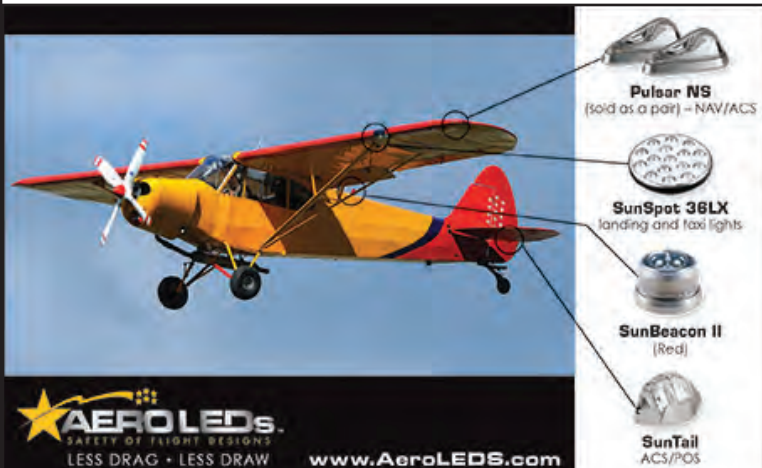
All AeroLED products are designed to be a "lifetime buy". They last over 50,000 hours when properly installed and do not degrade with on/off cycles. They are extremely rugged and hardened against all kinds of electrical damage, shock, and vibration.



Up to 7 times brighter than other LED landing lights!

PAR36 Landing Light Comparison
Measured Brightness at 50 Ft.

Manufacturer	Intensity	Lumens
GE4509	67.0	1,500
Whelan Parmetheus Plus	65.0	1,700
Rigid Industries	50.4	3,400
Alphabeam	39.7	5,600



TSO direct replacements with Form 337 for the obsolete Aeroflash system!

More info on page 274!



AeroLEDs Beacon



Aeroflash Beacon



AeroLEDs Aircraft Lighting by Series Reference Chart

Series	Light Type	P/N	Voltage	Approval
AeroSun	Landing/Taxi/Recognition/with Pulse	01-2120	9-36V	EXP
Aerosun Vx	Landing /Taxi/Recognition/Left and Right	01-2500 (Pair)	9-36V	EXP
MicroSun	Landing/Taxi/Recognition	01-1170	9-36V	EXP
MicroSun	Landing/Taxi/Recognition	01-1170-A	9-36V	EXP
Pulsar	Nav/Position/Strobe/12V/Red and Green	11-1100-12	14V	TSO
Pulsar	Nav/Position/Strobe/24V/Red and Green	11-1100-24	28V	TSO
Pulsar N	Nav/Left/12V/Red and Green	11-1280-A-12-L	14V	TSO
Pulsar N	Nav/Right/12V/Red and Green	11-1280-A-12-R	14V	TSO
Pulsar N	Nav/Left/24V/Red and Green	11-1280-A-24-L	28V	TSO
Pulsar N	Nav/Right/24V/Red and Green	11-1280-A-24-R	28V	TSO
Pulsar NS	Nav/Strobe/12V/Left/Red and Green	11-1280-B-12-L	14V	TSO
Pulsar NS	Nav/Strobe/12V/Right/Red and Green	11-1280-B-12-R	14V	TSO
Pulsar NS	Nav/Strobe/Left/24V/Red and Green	11-1280-B-24-L	28V	TSO
Pulsar NS	Nav/Strobe/Right/24V/Red and Green	11-1280-B-24-R	28V	TSO
Pulsar NS	Nav/Strobe/12V/Left/Red and Green	01-1280-B-12-L	14V	EXP
Pulsar NS	Nav/Strobe/12V/Right/Red and Green	01-1280-B-12-R	14V	EXP
Pulsar NS	Nav/Strobe/24V/Left/Red and Green	01-1280-B-24-L	28V	EXP
Pulsar NS	Nav/Strobe/24V/Right/Red and Green	01-1280-B-24-R	28V	EXP
Pulsar NSP	Nav/Position/Strobe/12V/Right/Red and Green	01-1280-C-12-L	14V	EXP
Pulsar NSP	Nav/Position/Strobe/12V/Right/Red and Green	01-1280-C-12-R	14V	EXP
Pulsar NSP	Nav/Position/Strobe/24V/Right/Red and Green	01-1280-C-24-L	28V	EXP
Pulsar NSP	Nav/Position/Strobe/24V/Right/Red and Green	01-1280-C-24-R	28V	EXP
Pulsar NSP	Nav/Strobe/Position/Left/12V/Red and Green	11-1280-C-12-L	14V	TSO
Pulsar NSP	Nav/Strobe/Position/Right/12V/Red and Green	11-1280-C-12-R	14V	TSO
Pulsar NSP	Nav/Strobe/Position/Left/24V/Red and Green	11-1280-C-24-L	28V	TSO
Pulsar NSP	Nav/Strobe/Position/Right/24V/Red and Green	11-1280-C-24-R	28V	TSO
SunBeacon II	Beacon/Red/12V	11-2200-A-12	14V	TSO
SunBeacon II	Beacon/Red/24V	11-2200-A-24	28V	TSO
SunBeacon II	Beacon/White/12V	11-2200-B-12	14V	TSO
SunBeacon II	Beacon/White/24V	11-2200-B-24	28V	TSO
SunBeam	Landing/Taxi/Recognition	90-1000	9-36V	FAA-PMA
SunRay Plus	Landing w/Recognition	01-1150	9-36V	EXP
SunSpot 36-4313	Landing	01-1030-4313	14V	FAA-PMA
SunSpot 36-4313	Landing w/Pulse	01-1030-4313-H	14V	FAA-PMA
SunSpot 36-4314	Taxi	01-1030-4314	14V	FAA-PMA
SunSpot 36-4314	Taxi w/Pulse	01-1030-4314-H	14V	FAA-PMA
SunSpot 36-4587	Taxi	01-1030-4587	28V	FAA-PMA
SunSpot 36-4587	Taxi w/Pulse	01-1030-4587-H	28V	FAA-PMA
SunSpot 36-4596	Landing	01-1030-4596	28V	FAA-PMA
SunSpot 36-4596	Landing w/Pulse	01-1030-4596-H	28V	FAA-PMA
SunSpot 36HX	Taxi w/Recognition	01-1030-H-B	9-36V	FAA-PMA
SunSpot 36HX	Landing w/Recognition	01-1030-H-A	9-36V	FAA-PMA
SunSpot 36LX	Taxi	01-1030-L-B	9-36V	FAA-PMA
SunSpot 36LX	Landing	01-1030-L-A	9-36V	FAA-PMA
SunSpot 46-4522HX	Landing w/Recognition	01-2130-HX	9-36V	FAA-PMA
SunSpot 46-4522	Landing	01-2130-LX	9-36V	FAA-PMA
SunSpot 46-4554	Taxi	01-2230-4554	28V	FAA-PMA
SunSpot 46-4554HX	Taxi w/Pulse	01-2230-4554-H	28V	FAA-PMA
SunSpot 46-4580	Landing	01-2230-4580	28V	FAA-PMA
SunSpot 46-4580HX	Landing w/Pulse	01-2230-4580-H	28V	FAA-PMA
SunSpot 64	Landing	01-2150-A	9-40V	FAA-PMA
SunSpot PCx	Taxi	900-01-100-C	28V	FAA-PMA
SunSpot PCx	Landing	900-01-100-A	28V	FAA-PMA
SunTail	Position/Strobe/12V	01-1260-12	14V	EXP
SunTail	Position/Strobe/24V	01-1260-24	28V	EXP
SunTail	Position/Strobe/12V	11-1260-12	14V	TSO
SunTail	Position/Strobe/24V	11-1260-24	28V	TSO

Lighting

FAA-PMA Approved

Sunspot FAA-PMA/STC Landing and Taxi Lights

Drop-in replacement for PAR36/PAR46 lights
Almost twice the light for 1/3 the power!

- Huge power savings
- Light weight
- Less heat
- Whiter light - more like daylight
- Improved safety with pulse recognition mode
- Long life - **over 50,000 hours!**
- FAA certified



P/N 01-2130-LX
46LX Landing



P/N 01-1030-H-B
36HX Landing



Pulse Recognition Mode

AeroLED lights have a built-in pulse mode to greatly improve safety by alternately blinking the left then right light once per second. All landing light products with pulse can be wired to synchronize in unison or wig-wag to create an alternating flashing pattern for enhanced in flight visibility regardless of model while dramatically increasing visibility to prevent both air and ground collisions. At least one 36HX or 46HX series light must be installed to enable pulse mode. If you have an existing pulse system (pulse light) you don't need to purchase the pulse feature.

Description	P/N	Certification	Figure	Watts	Voltage	Lumens	Weight	Dimensions
Landing								
36-4313 Landing <i>New!</i>	01-1030-4313	FAA-PMA/STC	1	95	14 V	11,000	11.5 oz	4.4" x 4.4" x 2.1"
36-4313 HX Landing with Pulse <i>New!</i>	01-1030-4313-H	FAA-PMA/STC	2	95	14 V	11,000	11.5 oz	4.4" x 4.4" x 2.1"
36HX Landing with Pulse	01-1030-H-A	FAA-PMA/STC	3	45	9-36 VDC	4,950	10.1 oz	4.4" x 4.4" x 1.9"
36LX Landing	01-1030-L-A	FAA-PMA/STC	4	45	9-36 VDC	4,950	10.1 oz	4.4" x 4.4" x 1.9"
36-4596 Landing	01-1030-4596	FAA-PMA/STC	5	100	28 V	11,000	11.5 oz	4.4" x 4.4" x 2.1"
36-4596 HX Landing with Pulse <i>New!</i>	01-1030-4596-H	FAA-PMA/STC	6	100	28 V	11,000	11.5 oz	4.4" x 4.4" x 2.1"
46HX Landing with Pulse	01-2130-HX	FAA-PMA/STC	7	70	9-36 VDC	7,700	20.0 oz	5.6" x 5.6" x 1.7"
46LX Landing	01-2130-LX	FAA-PMA/STC	8	70	9-36 VDC	7,700	20.0 oz	5.6" x 5.6" x 1.7"
46-4580 Landing	01-2230-4580	FAA-PMA/STC	9	170	28 V	19,250	20.0 oz	5.6" x 5.6" x 1.7"
46-4580-HX Landing with Pulse <i>New!</i>	01-2230-4580-H	FAA-PMA/STC	10	170	28 V	19,250	20.0 oz	5.6" x 5.6" x 1.9"
64-4559 Landing <i>Pending Approval!</i>			11					
SunSpot PCx <i>New!</i>	900-01-100-A	FAA-PMA/STC	12	100	28 V	11,000	11.5 oz	4.4" x 4.4" x 2.25"
Taxi								
36-4314 Taxi <i>New!</i>	01-1030-4314	FAA-PMA/STC	13	95	14 V	11,000	11.5 oz	4.4" x 4.4" x 2.1"
36-4314 HX Taxi with Pulse <i>New!</i>	01-1030-4314-H	FAA-PMA/STC	14	95	14 V	11,000	11.5 oz	4.4" x 4.4" x 2.1"
36HX Taxi with Pulse	01-1030-H-B	FAA-PMA/STC	15	45	9-36 VDC	4,950	10.1 oz	4.4" x 4.4" x 1.9"
36LX Taxi	01-1030-L-B	FAA-PMA/STC	16	45	9-36 VDC	4,950	10.1 oz	4.4" x 4.4" x 1.9"
36-4587 Taxi	01-1030-4587	FAA-PMA/STC	17	100	28 V	11,000	11.5 oz	4.4" x 4.4" x 2.1"
36-4587 HX Taxi with Pulse <i>New!</i>	01-1030-4587-H	FAA-PMA/STC	18	100	28 V	11,000	11.5 oz	4.4" x 4.4" x 2.1"
46LX Taxi	01-2130-LX	FAA-PMA/STC	19	70	9-36 VDC	7,700	20.0 oz	5.6" x 5.6" x 1.7"
46-4554 Taxi	01-2230-4554	FAA-PMA/STC	20	170	28 V	19,250	20.0 oz	5.6" x 5.6" x 1.7"
46-4554 HX Taxi with Pulse <i>New!</i>	01-2230-4554-H	FAA-PMA/STC	21	170	28 V	19,250	20.0 oz	5.6" x 5.6" x 1.9"
SunSpot PCx <i>New!</i>	900-01-100-C	FAA-PMA/STC	22	100	28 V	11,000	11.5 oz	4.4" x 4.4" x 2.25"
Connector Kit								
Molex Connector Kit	KIT-0001							

Figures 1-22 Photos are not to scale relative to each other

1 	2 	3 	4 	5 	6
7 	8 	9 	10 	11 	12
13 	14 	15 	16 	17 	18
19 	20 	21 	22 		

Aircraft	Landing Lights											
 <p>P/N 01-2130-LX 46LX Landing</p>  <p>P/N 01-1030-4596H 36-4596HX Landing with Pulse</p>	36HX Landing with Pulse P/N 01-1030-H-A (PAR36)	36LX Landing P/N 01-1030-L-A (PAR36)	36-4596 Landing P/N 01-1030-4596 (PAR36)	46HX Landing with Pulse P/N 01-2130-HX (PAR46)	46HX Landing or Taxi P/N 01-2130-LX (PAR46)	64-4559 Landing Pending Approval (PAR64)	46-4580 Landing P/N 01-2230-4580 (PAR46)	SunBeam P/N 90-1000	36-4313 Landing P/N 01-1030-4313 (PAR36)	36-4313HX Landing with Pulse P/N 01-1030-4313-H (PAR36)	36-4596HX Landing with Pulse P/N 01-1030-4596H (PAR36)	46-4580-HC Landing with Pulse P/N 01-2230-4580-H (PAR46)
FAA-PMA/STC Eligibility												
Aerostar												
PA-60-600 (600), PA-60-601 (601), PA-60-601P (601P), PA-60-602P (602P), PA-60-700P (700P)	*	*	*	*	*	*	*	*	*	*	*	*
Aviat												
A-1, A-1A, A-1B, A-1C-180, A-1C-200	*											
AT-400, AT-400A, AT-402, AT-402A,B, AT-502, AT-502B, AT-503				*								
Boeing												
DC3C-SC3G, DC3C-S1C3G, DC3C-S4C4G, DC3C-R-1830-90C						*						
Beechcraft (Textron)												
19A, B19, M19A, 23, A23, A23A, A23-24, B23, C23, A24, A24R, B24R, C24R	*	*	*	*	*	*	*	*	*	*	*	*
A23-19	*	*	*	*	*	*	*	*	*	*	*	*
35-33, 35-A33, B33, C33, C33A, E33, E33A, E33C, F33, F33A, F33C, G33, 35, 35R, A35, B35, C35, D35, E35, F35, G35, H35, J35, K35, M35, N35, P35, S35, V35, V35A,B, 36, A36, A36TC, B36TC, G36	*	*	*	*	*	*	*	*	*	*	*	*
50, D50E-5990, 58PA, 58TCA	*	*	*	*	*	*	*	*	*	*	*	*
B50, C50, D50, D50A,B,C,D,E, E50, F50, G50, H50, J50, 95, 95-55, 95-A55, 95-B55, 95-B55A, B55B, C55, C55A, D55, D55A, E55, E55A, 56TC, A56TC, G58, 58, 58A, 58P, 58TC	*	*	*	*	*	*	*	*	*	*	*	*
60, A60, B60, 65, A65, A-65-8200, 65-80, 65-A80, 65-A80-8800, 65-B80, 65-88, 65-90, 65-A90, 70, 76, 77, C90, C90A, C90GT, 65-A90-1,2,3,4, B90, E90, H90, B95, B95A, D95A, E95, 99, 99A, A99, A99A, B99, C99, 100, B100	*	*	*	*	*	*	*	*	*	*	*	*
A100-1, A100, A100A, A100C	*	*	*	*	*	*	*	*	*	*	*	*
200, 200C, 200CT, 200T, A200, A200C, A200CT, B200, B200C, B200CGT, B200CT, B200GT, B200T, 300, 300LW, B300, B300C, 1900, 1900C,D	*	*	*	*	*	*	*	*	*	*	*	*
Cessna (Textron)												
120, 140, 140A	*	*	*	*	*	*	*	*	*	*	*	*
150, 150A,B,C,D,E,F,G,H,J,K,L,M, A150K,L,M, 152, A152	*	*	*	*	*	*	*	*	*	*	*	*
170, 170A,B, 172, 172A,B,C,D,E,F,G,H,I,K,L,M,N,P,Q,R,S, P172D, R172E,F,G,H,J,K, 172RG, 175, 175A,B,C, 177, 177A,B, 177RG	*	*	*	*	*	*	*	*	*	*	*	*
180, 180A,B,C,D,E,F,G,H,J,K, 182, 182A,B,C,D,E,F,G,H,J,K,L,M,N,P,Q,R,S,T, R182, T182, TR182,T182T	*	*	*	*	*	*	*	*	*	*	*	*
185, 185A,B,C,D,E, A185E,F, 188, 188A,B, A188, A188A,B, T188C, 190, 195, 195A,B, 210-5, (205), 210-5A, (205A)	*	*	*	*	*	*	*	*	*	*	*	*
206, 206H, U206, U206A,B,C,D,E,F,G, P206, P206A,B,C,D,E, TU206A,B,C,D,E,F,G, T206H, TP206A,B,C,D,E	*	*	*	*	*	*	*	*	*	*	*	*
207, 207A, T207, T207A, 208, 208B	*	*	*	*	*	*	*	*	*	*	*	*
210, 210A,B,C,D,E,F,G,H,J,K,L,M, P210N,R, T210F,G,H,J,K,L,M,N,R	*	*	*	*	*	*	*	*	*	*	*	*
310, 310A,B,C,D,E,F,G,H,I,J,K,L,N,P,Q,R, E310H, T310P,Q,R, 320A,B,C,D,E,F, 335, 320, 320-, 336, 337, 337A,B,C,D,E,F,G,H, F337E,F,G,H, FT337E,F,GP,HP M337B, 337D,E,F,G,H,H-SP	*	*	*	*	*	*	*	*	*	*	*	*
P337H, T337B,C, 340, 340A	*	*	*	*	*	*	*	*	*	*	*	*
401, 401A,B, 402, 402A,B,C, 404, 406, 411, 411A, 414, 414A, 421, 421A,B,C, 425, 441	*	*	*	*	*	*	*	*	*	*	*	*
Commander												
112, 112B, 112TC, 112TCA, 114, 114A,B, 500, 500A,B,S,U, 520, 560, 560-A,E,F, 680, 680E,F,FL,T,V,W, 681, 685, 690, 690A,B,C,D, 695, 695A,B	*	*	*	*	*	*	*	*	*	*	*	*
114TC, 720	*	*	*	*	*	*	*	*	*	*	*	*
Gruman (True Flight Holdings)												
AA-1, AA-1A,1B,1C, AA-5, AA-5A,B, AG-5B	*	*	*	*	*	*	*	*	*	*	*	*
Maule												
M-4, M-4S,T, M-4-180C,S,T, M-4-210, M-4-210C,S, M-5-180C, M-5-200, M-5-210C, M-5-210TC, M-5-220C	*	*	*	*	*	*	*	*	*	*	*	*
M-4C,M-4-210T, M-4-220, M-4-220C,S,T	*	*	*	*	*	*	*	*	*	*	*	*
M-5-235C, M-6-180, M-6-235, M-7-235, M-7-235A,B,C, M-7-260, M-7-260C, M-7-420AC, MT-7-235, MT-7-260, MT-7-420, MX-7-160, MX-7-180, MX-7-235, MX-7-235A,B,C, MX-7-420, MXT-7-180, MXT-7-160, MX-7-180A,B,C, MXT-7-180A, M-8-235	*	*	*	*	*	*	*	*	*	*	*	*
M-7-420A, MS-7-180AC, MX-7-160C	*	*	*	*	*	*	*	*	*	*	*	*
Mooney												
M20, M20A,B,C,D,E,F,G,J,K,L,M,R,S, M20TN, M22	*	*	*	*	*	*	*	*	*	*	*	*
Piper												
J3C-40, J3C-50, J3C-50S, J3C-65, J3C-65S, J3F-50, J3F-50S, J3F-60, J3F-60S, J3F-65, J3F-65S, J3L, J3L-S, J3L-65, J3L-65S, J4, J4A, J4A-S, J4E, PA-11, PA-11S, PA-15, PA-16, PA-16S, PA-17	*	*	*	*	*	*	*	*	*	*	*	*
PA-18, PA-18 "105", PA-18 "125", PA-18 "135", PA-18 "150", PA-18A, PA-18A "135", PA-15A "150"	*	*	*	*	*	*	*	*	*	*	*	*
PA-18AS "125", PA-18AS "135", PA-18AS "150", PA-18S, PA-18S "105", PA-18S "125", PA-18S "135"	*	*	*	*	*	*	*	*	*	*	*	*
PA-18S "150", PA-19, PA-19S, PA-20, PA-20 "115", PA-20 "135", PA-20S, PA-20S "115", PA-20S "135"	*	*	*	*	*	*	*	*	*	*	*	*
PA-22, PA-22-108,135,150,160, PA-22S-135,150,160, PA-23, PA-23-160,235,250, PA-E23-250, PA-24, PA-24-250,260,400	*	*	*	*	*	*	*	*	*	*	*	*
PA-25, PA-25-235,260	*	*	*	*	*	*	*	*	*	*	*	*
PA-28-140,150,151,160,161,180,181,201T,235,236, PA-28R-180,200,201,201T, PA-28RT-201,201T, PA-28S-160,180	*	*	*	*	*	*	*	*	*	*	*	*
PA-30, PA-31, PA-31-300,325,350, PA-31P, PA-31P-350, PA-31T, PA-31T1,T2,T3	*	*	*	*	*	*	*	*	*	*	*	*
PA-32-260,300,301, PA-32-301FT, PA-32-301T, PA-32-301XTC, PA-32R-300,301,301T, PA-32RT-300,300T, PA-32S-300	*	*	*	*	*	*	*	*	*	*	*	*
PA-34-200,200T, PA-34-220T, PA-36-285, PA-36-300, PA-36-375, PA-38-112, PA-39, PA-40, PA-44-180, PA-44-180T	*	*	*	*	*	*	*	*	*	*	*	*
Socata												
100S, 150T, 150ST, 235C,E, MS880B, MS885, MS892A-150,E-150, MS893A,E, MS894A,E, TB9,10,20,21, TB200	*	*	*	*	*	*	*	*	*	*	*	*
Viking Air Limited												
DHC-6-1,100,200,300,DHC-2 Mk.I,II,III, DHC-3	*	*	*	*	*	*	*	*	*	*	*	*
DHC-6-400	*	*	*	*	*	*	*	*	*	*	*	*
Note:												
■ P/N 01-1030-H-A is available with ProTect lens coat, USE P/N 01-1030-H-A-P. P/N 01-1030-L-A is available with ProTect lens coat, USE P/N 01-1030-L-A-P. PAR36 drop in replacement is 4.4" diameter, PAR46 drop in replacement is 5.6" diameter, PAR64 is 8.0" diameter.												

Lighting

SunSpot PCx FAA-PMA/STC Landing Light

P/N 900-01-100-A
100W, DC 28V, 11,000 lm, 11.5 oz, 4.4" x 4.4" x 2.25"
Approved for Pilatus models PC-7, 9, 12, 21



Manufactured by AeroLEDs

SunBeam FAA-PMA Landing Light - Includes Pulse Recognition Mode!

P/N 90-1000
35W, DC 9-36V, 3,300 lumens, 6.2 oz, 2.8" x 4.0" x 1.4"
The SunBeam is a landing/recognition light with a 6V x 12H degree beam that is twice the light output as the SunRay Plus and has a built-in "wig-wag" or "pulse" feature. The SunBeam is FAA-PMA approved, and can replace the Whelen 70346 series 14V and 28V halogen lamps. Aircraft models that this light fits include the Diamond DA-40, the Cessna Columbia, the Liberty XL, some Cirrus models, and some Grumman models.



Manufactured by AeroLEDs

FAA-PMA Approved


Aircraft	P/N 01-1030-L-B 36LX Taxi	P/N 01-2130-LX 46 LX Taxi	P/N 01-2230-4554-H 46-4554 HX Taxi with pulse	Taxi Lights							
				36HX Taxi with Pulse P/N 01-1030-H-B (PAR36)	36 LX Taxi P/N 01-1030-L-B (PAR36)	36-4587 Taxi P/N 01-1030-4587 (PAR36)	46-4554 Taxi P/N 01-2230-4554 (PAR46)	36-4314 Taxi P/N 01-1030-4314 (PAR36)	36-4314HX Taxi with Pulse P/N 01-1030-4314-H (PAR36)	36-4587HX Taxi with Pulse P/N 01-1030-4587H (PAR36)	46-4554 Taxi with Pulse P/N 01-2230-4554-H (PAR46)
FAA-PMA/STC Eligibility											
Aerostar											
PA-60-600 (600), PA-60-601 (601), PA-60-601P (601P), PA-60-602P (602P), PA-60-700P (700P)	• • • • • • • • • • • •										
Aviat											
A-1, A-1A, A-1B, A-1C-180, A-1C-200	• • • • • • • • • • • •										
Beechcraft (Textron)											
19A, B19, M19A, 23, A23, A23A, A23-24, B23, C23, A24, A24R, B24R, C24R	• • • • • • • • • • • •										
A23-19, 50, D50E-5990	• • • • • • • • • • • •										
35-33, 35-A33, B33, C33, C33A, E33, E33A, E33C, F33, F33A, F33C, G33, 35, 35R, A35, B35, C35, D35, E35, F35, G35, H35, J35, K35, M35, N35, P35, S35, V35, V35A,B, 36, A36TC, B36TC, G36	• • • • • • • • • • • •										
B50, C50, D50, D50A,B,C,D,E, E50, F50, G50, H50, J50, 95, 95-55, 95-A55, 95-B55, 95-B55A, B55B, C55, C55A, D55, D55A, E55, E55A, 56TC, A56TC, G58, 58, 58A, 58P, 58TC	• • • • • • • • • • • •										
58PA, 58TCA, A100-1, A100, A100A, A100C	• • • • • • • • • • • •										
60, A60, B60, 65, A65, A-65-8200, 65-80, 65-A80, 65-A80-8800, 65-B80, 65-88, 65-90, 65-A90, 70, 76, 77, C90, C90A, C90GT, 65-A90-1,2,3,4, B90, E90, H90, B95, B95A, D95A, E95, 99, 99A, A99, A99A, B99, C99, 100, B100	• • • • • • • • • • • •										
200, 200C, 200CT, 200T, A200, A200C, A200CT, B200, B200C, B200CGT, B200GT, B200T, 300, 300LW, B300, B300C, 1900, 1900C,D	• • • • • • • • • • • •										
Cessna (Textron)											
120, 140, 140A	• • • • • • • • • • • •										
150, 150A,B,C,D,E,F,G,H,J,K,L,M, A150K,L,M, 152, A152	• • • • • • • • • • • •										
170, 170A,B, 172, 172A,B,C,D,E,F,G,H,I,K,L,M,N,P,Q,R,S, P172D, R172E,F,G,H,J,K, 172RG, 175, 175A,B,C, 177, 177A,B, 177RG	• • • • • • • • • • • •										
180, 180A,B,C,D,E,F,G,H,J,K, 182, 182A,B,C,D,E,F,G,H,J,K,L,M,N,P,Q,R,S,T, R182, T182, TR182,T182T	• • • • • • • • • • • •										
185, 185A,B,C,D,E, A185E,F, 188, 188A,B, A188, A188A,B, T188C, 190, 195, 195A,B, 210-5, (205), 210-5A, (205A)	• • • • • • • • • • • •										
206, 206H, U206, U206A,B,C,D,E,F,G, P206, P206A,B,C,D,E, TU206A,B,C,D,E,F,G, T206H, TP206A,B,C,D,E	• • • • • • • • • • • •										
207, 207A, T207, T207A, 208, 208B	• • • • • • • • • • • •										
210, 210A,B,C,D,E,F,G,H,J,K,L,L,M, P210N,R, T210F,G,H,J,K,L,M,N,R	• • • • • • • • • • • •										
310, 310A,B,C,D,E,F,G,H,I,J,K,L,N,P,Q,R, E310H, T310P,Q,R, 320A,B,C,D,E,F, 335, 320, 320-, 336, 337, 337A,B,C,D,E,F,G,H, F337E,F,G,H, FT337E,F,GP,HP M337B, 337D,E,F,G,H,H-SP	• • • • • • • • • • • •										
P337H, T337B,C, 340, 340A	• • • • • • • • • • • •										
401, 401A,B, 402, 402A,B,C, 404, 406, 411, 411A, 414, 414A, 421, 421A,B,C, 425, 441	• • • • • • • • • • • •										
Commander											
112, 112B, 112TC, 112TCA, 114, 114A,B, 500, 500A,B,S,U, 520, 560, 560-A,E,F, 680, 680E,FL,T,V,W, 681, 685, 690, 690A,B,C,D, 695, 695A,B	• • • • • • • • • • • •										
114TC, 720	• • • • • • • • • • • •										
Grumman (True Flight Holdings)											
AA-1, AA-1A,1B,1C, AA-5, AA-5A,B, AG-5B	• • • • • • • • • • • •										
Maule											
M-4, M-4S,T, M-4-180C,S,T, M-4-210, M-4-210C,S, M-5-180C, M-5-200, M-5-210C, M-5-210TC, M-5-220C	• • • • • • • • • • • •										
M-4C,M-4-210T, M-4-220, M-4-220C,S,T	• • • • • • • • • • • •										
M-5-235C, M-6-180, M-6-235, M-7-235, M-7-235A,B,C, M-7-260, M-7-260C, M-7-420AC, MT-7-235, MT-7-260, MT-7-420, MX-7-160, MX-7-180, MX-7-235, MX-7-235A,B,C, MX-7-420, MXT-7-180, MXT-7-160, MX-7-180A,B,C, MXT-7-180A, M-8-235	• • • • • • • • • • • •										
M-7-420A, MS-7-180AC, MX-7-160C	• • • • • • • • • • • •										
Mooney											
M20, M20A,B,C,D,E,F,G,J,K,L,M,R,S, M20TN, M22	• • • • • • • • • • • •										
Piper											
J3C-40, J3C-50, J3C-50S, J3C-65, J3C-65S, J3F-50, J3F-50S, J3F-60, J3F-60S, J3F-65, J3F-65S, J3L, J3L-S, J3L-65, J3L-65S, J4, J4A, J4A-S, J4E	• • • • • • • • • • • •										
PA-11, PA-11S, PA-15, PA-16, PA-16S, PA-17	• • • • • • • • • • • •										
PA-18, PA-18 "105", PA-18 "125", PA-18 "135", PA-18 "150", PA-18A, PA-18A "135", PA-15A "150"	• • • • • • • • • • • •										
PA-18AS "125", PA-18AS "135", PA-18AS "150", PA-18S, PA-18S "105", PA-18S "125", PA-18S "135"	• • • • • • • • • • • •										
PA-18S "150", PA-19, PA-19S, PA-20, PA-20 "115", PA-20 "135", PA-20S, PA-20S "115", PA-20S "135"	• • • • • • • • • • • •										
PA-22, PA-22-108,135,150,160, PA-22S-135,150,160	• • • • • • • • • • • •										
PA-23, PA-23-160,235,250, PA-E23-250, PA-24, PA-24-250,260,400,	• • • • • • • • • • • •										
PA-25, PA-25-235,260	• • • • • • • • • • • •										
PA-28-140,150,151,160,161,180,181,201T,235,236, PA-28R-180,200,201,201T, PA-28RT-201,201T, PA-28S-160,180	• • • • • • • • • • • •										
PA-30, PA-31, PA-31-300,325,350, PA-31P, PA-31P-350, PA-31T, PA-31T1,T2,T3	• • • • • • • • • • • •										
PA-32-260,300,301, PA-32-301FT, PA-32-301T, PA-32-301XTC, PA-32R-300,301,301T, PA-32RT-300,300T, PA-32S-300	• • • • • • • • • • • •										
PA-34-200,200T, PA-34-220T, PA-36-285, PA-36-300, PA-36-375, PA-38-112, PA-39, PA-40, PA-44-180, PA-44-180T	• • • • • • • • • • • •										
Socata											
TB9,10,20,21, TB200, MS880B, MS885, MS894A, MS893A, MS892A-150, MS892E-150, MS893E, MS894E, 100S, 150T, 150ST, 235C,E	• • • • • • • • • • • •										
Viking Air Limited											
DHC-6-1,100,200,300, DHC-2 Mk.I,II,III, DHC-3	• • • • • • • • • • • •										
DHC-6-400	• • • • • • • • • • • •										

SunSpot PCx FAA-PMA/STC Taxi Light
P/N 900-01-100-C
 100W, DC 28V, 11,000 lm, 11.5 oz, 4.4" x 4.4" x 2.25"
 Approved for Pilatus models PC-7, 9, 12, 21

Manufactured by AeroLEDs

Starlight Ice Light Bulb Replacement
28V P/N 01-7079-24 6W (1.4 oz, 1.1" x 1.5" x 2.2")

- LED bulb replacement must be installed in an existing approved light housing in a BAY15S socket.
- The StarLight LED bulb replacement is designed with a single high-power LED.
- Should the LED fail, the unit must be replaced.
- FAA-PMA/STC approved!




Manufactured by AeroLEDs

Polaris Nav Light Bulb Replacement
12V P/N 11-7512-12 9W (1.1 oz, 1.1" x 1.3" x 2.1")
24V P/N 11-7512-24 9W (1.1 oz, 1.1" x 1.3" x 2.1")

- Polaris is an LED bulb replacement for incandescent position light bulbs that provide the forward red and green navigation lights.
- Polaris is a warm white LED that matches the spectrum of the incandescent bulb that it replaces so that the color produced through the red and green lenses is equivalent and meets the FAR and TSO color requirements for aviation red and green.
- Light output meets or exceeds that of the bulb it replaces

Now FAA-PMA!



Manufactured by AeroLEDs

Cross Reference for Landing Lights						AeroLEDs LED Equivalent					
Incandescent Bulb						AeroLEDs LED Equivalent					
GE Bulb #	Size	Voltage	Watts	Peak Candela	Total Lumens	Model	P/N	Voltage	Watts	Peak Candela	Total Lumens
4509	PAR36	14	100	60,000	1,500	SunSpot 36 LX	01-1030-L-A or 01-1030-H-A	14/28	45	65,000	4,950
						SunSpot 36 HX	01-1030-4313 or 01-1030-4313-H	14	95	150,000	11,000
4313	PAR36	14	250	90,000	3,750	SunSpot 36 LX	01-1030-L-A or 01-1030-H-A	14/28	45	65,000	4,950
						SunSpot 36 HX	01-1030-4313 or 01-1030-4313-H	14	95	150,000	11,000
4595	PAR36	14	100	60,000	1,500	SunSpot 36 LX	01-1030-L-A or 01-1030-H-A	14/28	45	65,000	4,950
						SunSpot 36 HX	01-1030-4313 or 01-1030-4313-H	14	95	150,000	11,000
4596	PAR36	28	250	90,000	3,750	SunSpot 36-4596 HX	01-1030-4596 or 01-1030-4596-H	28	100	150,000	11,000
4700	PAR36	14	100	75,000	1,500	SunSpot 36 HX	01-1030-4313 or 01-1030-4313-H	14	95	150,000	11,000
Q4631	PAR36	14	250	80,000	3,750	SunSpot 36 LX	01-1030-L-A or 01-1030-H-A	14/28	45	65,000	4,950
						SunSpot 36 HX	01-1030-4313 or 01-1030-4313-H	14	95	150,000	11,000
Q4632	PAR36	14	250	75,000	3,750	SunSpot 36 LX	01-1030-L-A or 01-1030-H-A	14/28	45	65,000	4,950
						SunSpot 36 HX	01-1030-4313 or 01-1030-4313-H	14	95	150,000	11,000
4522	PAR46	28	250	290,000	3,750	SunSpot 46 LX	01-2130-LX or 01-2130-HX	14/28	70	150,000	7,700
						SunSpot 46 HX	01-2230-4580-H	28	175	250,000	19,250
4537	PAR46	14	250	200,000	3,750	SunSpot 46 LX	01-2130-LX or 01-2130-HX	14/28	70	150,000	7,700
						SunSpot 46 LX	01-2130-LX or 01-2130-HX	14/28	70	150,000	7,700
4553	PAR46	28	250	300,000	3,750	SunSpot 46 LX	01-2230-4580 or 01-2230-4580-H	28	175	250,000	19,250
						SunSpot 46 HX	01-2230-4580 or 01-2230-4580-H	28	175	250,000	19,250
4580 or 4581	PAR46	28	450	400,000	6,750	SunSpot 46 HX	01-2230-4580 or 01-2230-4580-H	28	175	250,000	19,250
Q4681	PAR46	28	450	310,000	6,750	SunSpot 46-4580	01-2230-4580 or 01-2230-4580-H	28	175	250,000	19,250
Q4566,4566	PAR46	28	450	150,000	6,750	SunSpot 46-4580	01-2230-4580	28	175	250,000	19,250
Q4567, Q4580, Q4581						SunSpot 46 HX	01-2230-4580-H	28	175	250,000	19,250
Q4559, 4559, Q4559x, Q4559XX	PAR64	28	600	600,000	9600	SunSpot 64-4559	01-2230-4559	28	225	400,000	24,750

GE4596 landing (250 Watts of power)
-VS-
SunSpot 36-4596 (100 Watts of power)

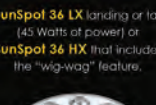


GE4587 taxi (250 Watts of power)
-VS-
SunSpot 36-4587 (100 Watts of power)



Cross Reference for Taxi Lights						AeroLEDs LED Equivalent					
Incandescent Bulb						AeroLEDs LED Equivalent					
GE Bulb #	Size	Voltage	Watts	Peak Candela	Total Lumens	Model	P/N	Voltage	Watts	Peak Candela	Total Lumens
4505	PAR36	28	50	45,000	800	SunSpot 36 LX	01-1030-L-B or 01-1030-H-B	9-40	45	15,000	4,950
4503	PAR36	14	40	11,000	640						
4502	PAR36	28	50	10,000	800						
4591, Q4951	PAR36	28	100	20,000	1500						
4587	PAR36	28	250	40,000	4000	SunSpot 36-4587/HX	01-1030-4587 or 01-1030-4587-H	28	100	50,000	11,000
4594	PAR36	28	100	20,000	1500	SunSpot 36 LX	01-1030-L-B or 01-1030-H-B	14/28	45	15,000	4,950
4589	PAR36	28	50	5,000	800						
4593	PAR36	28	50	1,500	800	SunSpot 36 LX	01-1030-L-B or 01-1030-H-B	14/28	45	15,000	4,950
4626	PAR36	28	150	30,000	2400	SunSpot 36 LX	01-1030-L-B or 01-1030-H-B	14/28	45	15,000	4,950
						SunSpot 36 HX	01-1030-4314 or 01-1030-4314-H	14	95	50,000	11,000
4627	PAR36	28	100	3,000	1600	SunSpot 4587 HX	01-1030-4587-H	28	100	50,000	11,000
						SunSpot 46 LX/HX	01-2230-4554 or 01-2230-4554-H	28	175	100,000	19,250
4551	PAR46	28	250	75,000	4000	SunSpot 46 LX/HX	01-2230-4554 or 01-2230-4554-H	28	175	100,000	19,250
Q4551	PAR46	28	250	60,000	4000	SunSpot 46 LX/HX	01-2230-4554 or 01-2230-4554-H	28	175	100,000	19,250
4554	PAR46	28	450	90,000	7200	SunSpot 46 LX/HX	01-2230-4554 or 01-2230-4554-H	28	175	100,000	19,250
4570	PAR46	28	150	32,000	2400	N/A					
4571	PAR46	28	150	7,000	2400	N/A					
4572						SunSpot 46 HX	01-2230-4554-H	28	175	100,000	19,250
4582	PAR46	28	450	20,000	7200	SunSpot 46 LX Taxi	01-2230-4554	28	175	100,000	19,250
Q4629	PAR46	28	250	20,000	4000	N/A					
Q4554, Q5551, Q5554, Q4554, Q4597, Q4598						SunSpot 46 LX/HX	01-2230-4554 or 01-2230-4554-H	28	175	100,000	19,250

GE 4509 (100 Watts of power)
-VS-
SunSpot 36 LX landing or taxi (45 Watts of power) or **SunSpot 36 HX** that includes the "wig-wag" feature.



Landing and Taxi Lights for Non-Certified Aircraft

Includes Pulse Recognition Mode!

SunRay Plus

P/N 01-1150

- 10W, DC 9-36V, 1000+ lm, 4.5 oz, 4.0" x 2.8" x 1.1"
- The SunRay Plus is a landing/recognition light with a 6° beam that has a built-in "wig-wag" or "pulse" feature.



AeroSun

P/N 01-2120

- 36 W, DC 9-40V, 1200+ lm, 8 oz, 2.3" x 5.0" x 1.5"
- The AeroSun can be seen miles away in broad daylight especially while in the built-in "wig-wag" or "pulse" feature.
- It has been designed as a landing, taxi and recognition light that was designed for the leading edge, wingtip cutout or landing gear on an aircraft.



AeroSun Vx

P/N 01-2500

- 60W per light, DC 9-36V, 5000+ lm per light, 31 oz, 5.7" x 6.4" x 3.8"
- The AeroSun Vx was designed for the Vans RV 7, 8, 9, 10 and 14 wingtips as a landing, taxi and recognition light.
- The Vx offers separate taxi, landing light circuits and has a built-in "wig-wag" or "pulse" feature.
- Sold as a pair.



MicroSun

P/N 01-1170

- 21W per light, DC 9-36V, 1500+ lm per light, 3.6 oz, 2.0" x 1.9" x 2.0"
- The MicroSun is a small compact light that projects a lot of light and was designed as a landing, taxi and recognition light.
- The MicroSun can be installed in the leading edge, wingtip cutout, landing gear or in the cowl on an aircraft and has a built-in "wig-wag" or "pulse" feature.



P/N 01-1170-A

- 24W per light, DC 9-36V, 2640 lm per light, 2.2 oz, 3.1" x 1.9" x 0.9"
- Designed for external use

Accessories

- Connector Pin Crimpers P/N 02-1000
- 20 AWG, 3 C Tefzel Shielded Wire (25 ft spools) P/N 00-8664
- AeroSun Mount Kit P/N KIT-0012
- SunRay Plus Mount Kit P/N KIT-0035



FAA-PMA Approved

Lighting

Pulsar Navigation/Position/Strobe Lights

High Efficiency, Low Drag

Streamlined design takes advantage of the small size of LED light sources to create an aerodynamic profile that produces less drag than traditional Xenon strobe housings.

Differences between the Pulsar NS and the Pulsar NSP

The Pulsar NS has a forward red or green navigation light, and a strobe that covers 180° from each wing tip. The Pulsar NSP are the same as the Pulsar NS but also have a rear white position light.



Pulsar (9.5 oz, 5.6" x 1.9" x 1.5")

Sold as a pair

TSO P/N 11-1100-12 (12V), 11-1100-24 (24V) 42 W Average Per Pair

NAV TSOA (C-30c Type I, II, III)

Strobe TSOA (C-96a Class II)

The Pulsar (Navigation/Anti-collision Strobe/Position) wingtip lights are designed to be installed on the wingtips of an aircraft where the navigation (red and green) and position (white) lights can be seen to determine the direction of the aircraft.

PULSAR N Series

Pulsar N (6.6 oz, 4.0" x 1.9" x 1.5")

TSO P/N 11-1280-A-12 (12V), 11-1280-A-24 (24V)

add -L (Left) or -R (Right)

20W Per Pair

TSO-d (C-30c Type I and II)

The Pulsar N (Navigation) lights are designed to be installed on the wingtips or in the wingtip cut outs of an aircraft. The Pulsar N provides forward facing red/green lights.

Pulsar NS (6.6 oz, 4.0" x 1.9" x 1.5")

TSO P/N 11-1280-B-12 (12V), P/N 11-1280-B-24 (24V)

add -L (Left) or -R (Right)

42W Average Per Pair

NAV TSOA (C-30c Type I, II)

Strobe TSOA (C-96a Class II)

EXP P/N 01-1280-B-12 (12V), P/N 01-1280-B-24 (24V)

add -L (Left) or -R (Right)

42W Average Per Pair

NAV exceeds TSO (C-30c Type I, II)

Strobe exceeds TSO (C-96a Class II)

The Pulsar NS (Navigation and Anti-collision Strobe) lights are designed to be installed on the wingtip or in the wingtip cut outs of an aircraft. The SunTail (Anti-collision Strobe and Position) light for the tail of the aircraft is recommended with the Pulsar NS lights. The strobes on the SunTail and Pulsar NS lights will sync to strobe together.

Pulsar NSP (6.6 oz, 4.0" x 1.9" x 1.5")

TSO P/N 11-1280-C-12 (12V), P/N 11-1280-C-24 (24V)

add -L (Left) or -R (Right)

42W Average Per Pair

NAV TSOA (C-30c Type I, II, III)

Strobe TSOA (C-96a Class II)

EXP P/N 01-1280-C-12 (12V), P/N 01-1280-C-24 (24V)

add -L (Left) or -R (Right)

42W Average Per Pair

NAV Exceeds TSO (C-30c Type I, II, III)

Strobe Exceeds TSO (C-96a Class II)

Pulsar NSP (Navigation/Anti-collision Strobe/Position) wingtip lights are designed to be installed on the wingtips of an aircraft where the navigation (red and green) and position (white) lights can be seen to determine the direction of the aircraft.

SunTail (2.6 oz, 2.2" x 1.7" x 1.4")

TSO P/N 11-1260-12 (12V), P/N 11-1260-24 (24V)

14W Average

NAV TSOA (C-30c Type III)

Strobe TSOA (C-96a Class II)

EXP P/N 01-1260-12 (12V), P/N 01-1260-24 (24V) Navigation/Position/Strobe

SunBeacon II (4.1 oz, 2.5" x 2.5" x 1.5")

TSO direct replacement with Form 337 for the obsolete Aeroflash system

TSO P/N 11-2200-A-12 (12V), P/N 11-2200-A-24 (24 Volt) (Red Beacon) 20W Average, TSO-C96A Class I, III

TSO P/N 11-2200-B-12 (12V), P/N 11-2200-B-24 (24 Volt) (White Beacon) 20W Average, TSO-C96A Class II

The compact SunBeacon II is a direct replacement for the standard beacon.

It is available in solid red or white. A mount bracket is optional.

PULSAR N SERIES COMPARISON CHART

Series	Light Colors	Light Model Numbers	Diagram
NAVIGATION	Navigation Red, Navigation Green	11-1280-A-12, 11-1280-A-24	Diagram showing red and green lights on wings.
ANTI-COLLISION STROBE	Navigation Red, Navigation Green + Anti-Collision Strobe	01-1280-B-12, 01-1280-B-24, 11-1280-B-12, 11-1280-B-24	Diagram showing red, green, and yellow strobe lights on wings.
POSITION	Navigation Red, Navigation Green + Anti-Collision Strobe + Rear White Position	01-1280-C-12, 01-1280-C-24, 11-1280-C-12, 11-1280-C-24	Diagram showing red, green, yellow strobe, and white position lights on wings.



New! Landing and Taxi Light Kits for Beechcraft, Cessna and Pilatus Aircraft

- FAA-PMA/STC approved
- 5-year warranty
- Thermal protection
- Consumes less power, outputs more light
- Unaffected by vibration, compared to incandescent bulbs

NEW



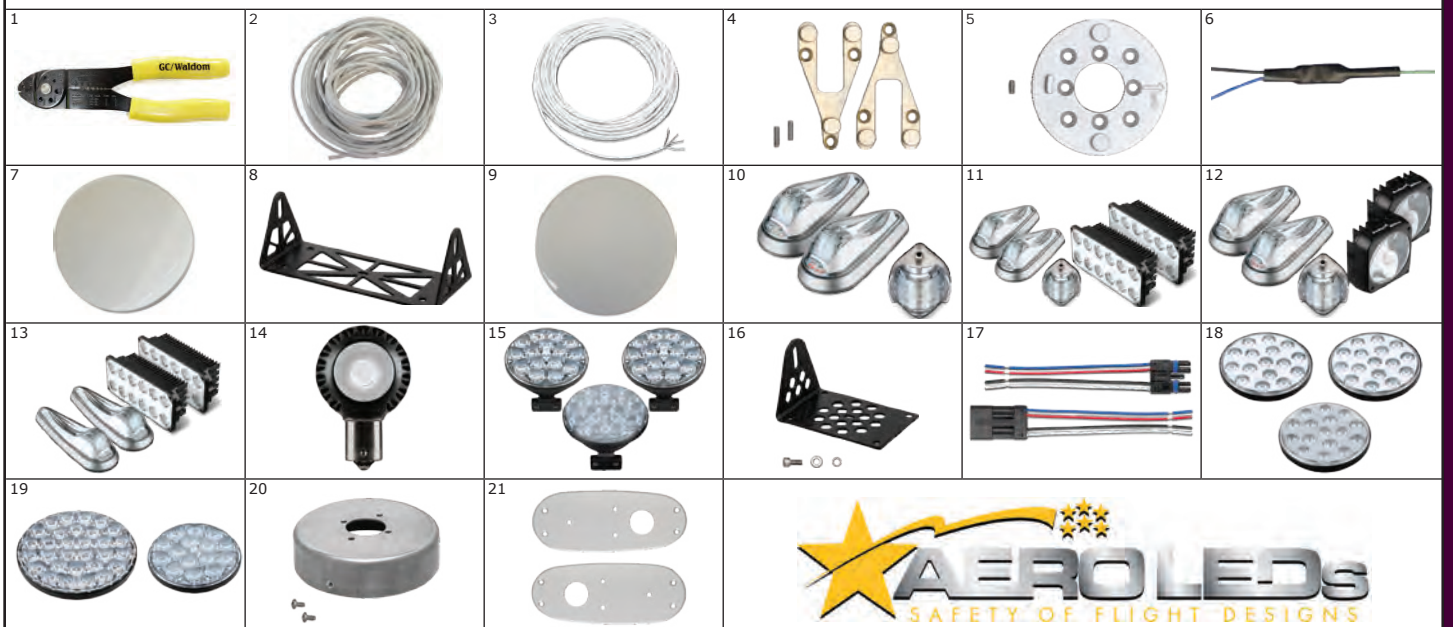
Lighting

Models	Kit P/N	Kit Contents
Beechcraft		
65-90, 65-A90, 65-A90-1, 65-A90-2, 65-A90-3, 65-A90-4, B90, C90, C90A, C90GT, E90, H90, 100, A100, A100A, A100C, B100, 200, A200, 200T, A200C, 200C, A200CT, 200CT, B200, B200C, B200T, B200CT, 300, B300, B300C, B200GT, B200CGT	KIT-0041	2 SunSpot 36 LX Landing Lights (01-1030-L-A) 1 SunSpot 36 LX Taxi Light (01-1030-L-B)
Cessna		
208, 208B	KIT-0042	1 SunSpot 36-4587 Taxi Light (01-1030-4587) 1 SunSpot 46-4580 Landing Light (01-2230-4580)
Pilatus		
Pilatus, PC12	KIT-0034	2 Pilatus Landing Lights (900-01-100-A) 1 Pilatus Taxi Light, (900-01-100-C) 2 Pilatus Spec Landing and Taxi Connectors

Lighting Accessories

Description	Figure	P/N
Connector pin crimpers	1	02-1000
20 AGW, 3 C Tefzel Shielded Wire (25 ft spools)	2	00-8664
18 AGW, 3 C Tefzel Shielded Wire (25 ft spools)	3	00-8675
NS Mount Kit (Single kit)	4	KIT-0008
SunBeacon II Twist Mount Kit	5	01-1096
Synchronizer	6	00-8120
ProTech Lens Cover Sunspot 36	7	KIT-0003
Mount Kit, Aerosun	8	KIT-0012
ProTech Lens Cover Sunspot 46	9	KIT-0013
RV KIT Pulsar NS, SunTail	10	KIT-0016
RV KIT Pulsar NS, SunTail, 2 AeroSun	11	KIT-0017
RV KIT Pulsar NS, SunTail, 2 SunRay Plus	12	KIT-0018
RV KIT Pulsar ExP, 2 AeroSuns	13	KIT-0019
Light Bulb, Replacement Starlight 28V	14	01-7079-24
LIGHT KIT, Pilatus, PC12, PCX Package	15	KIT-0034
Mount Kit, Sunray Plus	16	KIT-0035
CONNECTOR KIT, TYCO	17	KIT-0037
LIGHT KIT, King Air, LTL Package	18	KIT-0041
LIGHT KIT, Cessna Caravan, LTL Package	19	KIT-0042
MOUNT CUP, 3.75" Adapter, SunBeacon II	20	KIT-0049
ADAPTER PLATE, Pulsar/Pulsar NS, AeroFlash Conversion	21	KIT-0053
Fairing Adapter <i>New!</i>	22	KIT-01-1091

- 1 P/N KIT-0034 includes qty 2 of the Pilatus landing lights (900-01-100-A), qty 1 of the Pilatus taxi lights, (900-01-100-C) 2 Pilatus spec landing connectors and qty 1 Pilatus special taxi connector.
- 2 P/N KIT-0041 includes qty 2 of the SunSpot 36 LX landing lights (01-1030-L-A) and qty 1 of the SunSpot 36 LX taxi light (01-1030-L-B)
- 3 P/N KIT-0042 includes qty 1 of the SunSpot 36-4587 taxi light (01-1030-4587) and qty 1 of the SunSpot 46-4580 landing light (01-2230-4580)



FAA-PMA Approved

Lighting

Quasar Cx LED Lighted Wing Tips

Integrated LED Landing lights with pulse recognition mode

- FAA-PMA/STC approved
- Brighter than any other product on the market
- Works with existing cowl mounted lights
- Recognition mode integrated into the light assembly
- No additional light controllers required
- Enhanced in flight recognition of the aircraft
- Accommodates legacy nav/strobe lights but optimized for use with AeroLEDs navigation/strobe lighting



This all new wing tip lighting package brings the latest technology in LED lighting to the general aviation market with integrated landing, taxi, and recognition modes. The package is brighter than any other product on the market including other PAR36 LED and HID lighting solutions.

Recognition mode is integrated into the light assembly and does not require any additional light controllers to flash the LED lights. This mode of operation dramatically enhances in flight recognition of the aircraft therefore reducing the possibilities of mid-air collisions.

The built-in mounting location for the nav/strobe assembly is designed to accommodate legacy nav/strobes but is optimized for use with the AeroLEDs Pulsar NSP LED nav/strobes.

The wing tips are built by Stene Aviation using the latest resins and aviation grade E-glass weaves to insure the highest quality of part.

Lighted Wing Tip Kit P/N SA-0523565-2930LL	
Aircraft	
150, 150A,B,C,D,E,F,G,H,J,K,L,M, A150L,M	
152, A152	
170, 170A,B	
172, 172A,B,C,D,E,F,G,H,I,K,L	
F172D,E,F,G,H,K,L	
FP172D, P172D	
175, 175A,B,C	
180, 180A,B,C,D,E,F,G,H	
182, 182A,B,C,D,E,F,G,H,J,K,L,M,N	
185, 185A,B,C,D,E, A185E	
210-5 (205), 210-5A (205A)	
206, U206, U206A,B,C,D,E, TU206A,B,C,D,E	
P206, P206A,B,C,D, TP2006A,B,C,D, P206E, TP206E	
207, 207A, T207, T207A	
210, 210A,B,C,D,E,F, T210F	
Lighted Wing Tip Kit P/N SA-0723200-56LL	
172M,N,P,Q,R,S, 172RG, R172K	
F172,M,N,P	
180J,K	
182P,Q,R,S, R182, TR182, T182	
182T, T182T, F182P,Q, FR182	
A185F	
U206F,G, TU206F,G, 206H, T206H	

Wing Tip Types	Integrated Operational Modes	Multi-Voltage Operation	Power (Watts)	Lumens	Candela	Recognition Wig-Wag Mode
Quasar Cx LED lighted wing tips	Landing	Yes, 14/28v	190	17,000+	300,000+	Built-in
	Taxi		38	3,500	26,000+	
	Recognition		95	8,500+	150,000+	
Whelen PAR36 LED lighted wing tips	None		38	3496	120,000	No
HID lighted wing tips	None		70	6440	250,000	No

Stene Wing Tips for AeroLEDs Lighting

Optimized for use with AeroLEDs Pulsar LED navigation/strobe lighting

The wing tips are built by Stene Aviation using the latest resins and aviation grade E-glass weaves to insure the highest quality of part.



Aircraft	LH		RH	
	SA-0523565-29LED	SA-0723200-5LED	SA-0523565-30LED	SA-0723200-6LED
150, 150A,B,C,D,E,F,G,H,J,K,L,M, A150L,M	•	•	•	•
152, A152	•	•	•	•
170, 170A,B	•	•	•	•
172, 172A,B,C,D,E,F,G,H,I,K,L	•	•	•	•
172M,N,P,Q,R,S, 172RG, R172K	•	•	•	•
175, 175A,B,C	•	•	•	•
180, 180A,B,C,D,E,F,G,H	•	•	•	•
180J,K	•	•	•	•
182, 182A,B,C,D,E,F,G,H,J,K,L,M,N	•	•	•	•
182P,Q,R,S, R182, TR182, T182	•	•	•	•
185, 185A,B,C,D,E, A185E	•	•	•	•
A185F	•	•	•	•
210-5 (205), 210-5A (205A)	•	•	•	•
206, U206, U206A,B,C,D,E, TU206A,B,C,D,E	•	•	•	•
U206F,G, TU206F,G, 206H, T206H	•	•	•	•
P206, P206A,B,C,D, TP2006A,B,C,D	•	•	•	•
207, 207A, T207, T207A	•	•	•	•
210, 210A,B,C,D,E,F, T210F	•	•	•	•



For our full line of Exterior and Interior Plastic and Fiberglass parts see pages 277-314!

McFarlane now offers a huge selection of plastic and fiberglass trim and fairings!

Plastic and fiberglass interior and exterior parts from Aircraft Development, Knots2U, Stene Aviation and Texas Aeroplastics offer high quality FAA-PMA replacement parts at affordable prices.



Aircraft Development

Aircraft Development replacement wing tips and landing gear fairings are extra light-weight, made from an epoxy fiberglass construction, and are six times stronger and twelve times stiffer than original plastic. They are weather and UV resistant, won't become brittle and are easily repairable.



Knots 2U

Knots 2U replacement parts are made from the highest quality hand laid fiberglass. This provides for superior strength, reduced weight, and long life. The latest technology resins are used to prevent warping and shrinkage that can happen with other fiberglass. Advanced tooling and pattern techniques assure a superior fit.



Stene Aviation

Stene Aviation fiberglass replacement parts are five times stronger than the original plastic parts offered by Cessna. They are exact replacements of the originals and come primed and ready for paint. The product line includes Cessna wing tips, strut cuffs, fin caps, rudder caps/bottoms, stabilizer tips, wheel pants, and much more.



Texas Aeroplastics

Texas Aeroplastics replacement parts are made from top grade ABS plastic with an average service life of 15-20 years when properly fitted and professionally painted. ABS plastic parts are repairable and most have been trimmed for easy installation. All exterior ABS plastic parts are white.



Wing Tips

- Available in plastic and fiberglass
- Conical wing tips accommodate both a strobe and nav light
- Symmetrical wing tips accommodate a strobe light



Main Wheel Fairings (Wheel Pants)

Easy tire valve access!

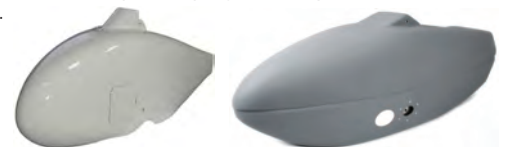
- Available in fiberglass
- Knots 2U main wheel fairings feature an access door to easily check tire pressure.
- Stene Aviation main wheel fairings feature a removable plastic plug to easily check tire pressure



Nose Wheel Fairings (Wheel Pants)

Easy tire valve access!

- Available in ABS plastic and fiberglass
- Knots 2U nose gear fairings feature an access door to easily check tire pressure.
- Stene Aviation and Texas Aeroplastics nose gear fairings feature a removable plastic plug to easily check tire pressure.



Exterior Plastic/Fiberglass Trim and Fairings

Strut Fairings

Strut to Wing and Strut to Fuselage Fairings
Plastic un-split (FAA-PMA) fairings by Texas Aeroplastics.

Fiberglass split fairings (FAA-PMA/STC) for easy installation, and un-split (FAA-PMA) by Stene Aviation.

Plastic PRO split fairings (FAA-PMA) for easy installation by Knots 2U.

Fiberglass split fairings (FAA-PMA) for easy installation by Aircraft Development.



Lower Rear Wing Fairings

Available in fiberglass



Main Landing Gear Fairings

Split for easy installation. Available in plastic from Texas Aeroplastics...



...and in fiberglass from Aircraft Development and Stene Aviation



Tailcone Fairings

Available in plastic and fiberglass



Cowl Fairings

Available in fiberglass



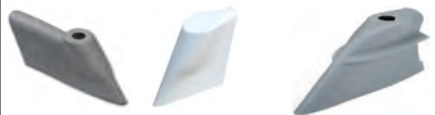
Vertical Fin Caps

Available in plastic and fiberglass

No flashing beacon



2-1/4" Beacon Base



3-1/2" Beacon Base



Brake Cover Fairings

Split for easy installation
Available in plastic and fiberglass



Fuel Strainer Cover

Available in fiberglass



Tailwheel Steering Cable Fairings

Available in fiberglass



Trailing Edge Wing Root Fairing

Available in fiberglass



Elevator Tips

Available in plastic and fiberglass



Rudder Caps

Available in plastic and fiberglass

Rudder Top Caps



Rudder Butts



Dorsal Fin Tips

Available in plastic and fiberglass

Forward Dorsal Fin Tips

Small triangle at the front of the dorsal fin



Aft Dorsal Fin Tips

Dorsal fin transition into the vertical fin



Horizontal Stabilizer Tips

Available in plastic and fiberglass



Exterior Plastic and Fiberglass Trim and Fairings Cessna 150-152 Series Aircraft

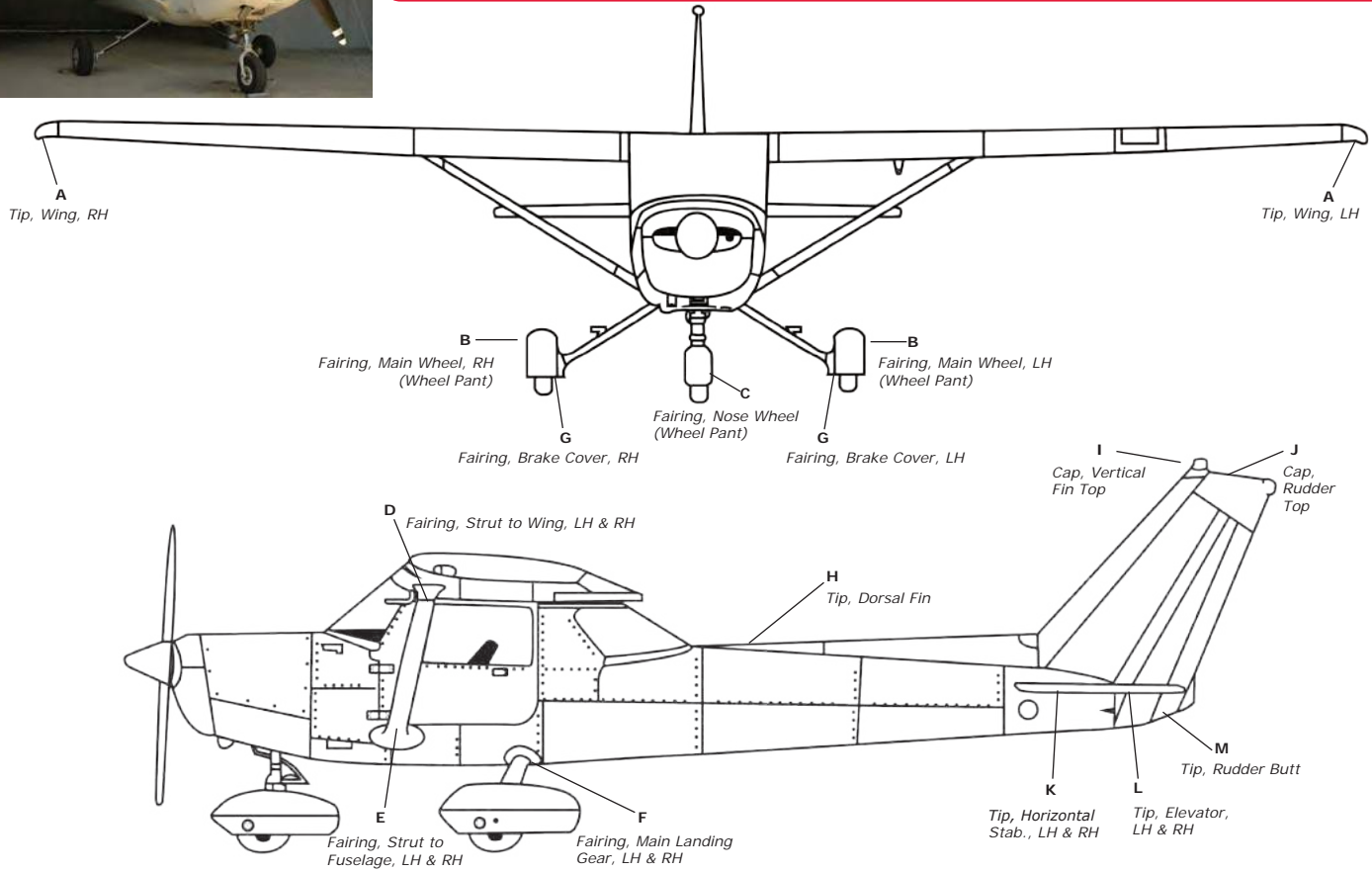


Improve the appearance and performance of your aircraft!
Wing tips, strut and landing gear fairings, and tail surface fairings for Cessna 150-152 series aircraft available in plastic and fiberglass.

SAVE \$\$\$

Eligibility tables for Cessna 150-152 aircraft with item descriptions, index reference and part numbers can be found on the following pages.
Go to www.mcfarlaneaviation.com for more details about specific part numbers.

Exterior Plastic/Fiberglass Trim and Fairings



150, 150A,B,C,D,E S/N 17001 thru 15061532			
Description	Idx	Part Number	
Fairing, Main Lndg Gear LH	F	FS-150-LG	1
Fairing, Main Lndg Gear RH	F	FS-150-RG	1
Fairing, Strut to Fuslg LH	E	118-4-27	1
		SA-0421002-1SP	3 3 S
Fairing, Strut to Fuslg RH	E	118-4-26	1
		SA-0421002-2SP	3 3 S
Fairing, Strut to Wing, LH	D	118-4-5	1
		SA-0522150-3SP	2 3 S
Fairing, Strut to Wing, RH	D	118-4-4	1
		SA-0522150-4SP	3 3 S
Rudder Bottom	M	K0430004-1-791	1
		SA-0430004-1	1
		GF0430004-2-791	1 1 K
		SA-0430004-2	1 1 S
		SA-0430004-8	2 3 S
Tip, Dorsal Fin, Vertical	H	GF0430004-00	1 1 K
		GF0430004-7-791	2 1 K
		SA-0430004-4	1 1 S
		SA-0430004-7	2 3 S
Tip, Elevator, LH or RH	L	26-09	1
		GF0430004-10791	2 1 K
		GF0430004-5-791	1 1 K
		SA-0430004-10	2 3 S
		SA-0430004-5	1 1 S
Tip, Horiz., Stab., LH or RH	K	26-08	1
		GF0430004-11791	1 1 K
		SA-0430004-11	2 3 S
Tip, Vertical & Horizontal Stab	I	GF0430004-6-791	1 1 K
		SA-0430004-6	1 1 S
Tip, Vertical, No Beacon	I	SA-0430004-9	2 3 S
Tip, Wing, Conical, LH	A	SA-0523565-29	5 6 3 S
Tip, Wing, Conical, RH	A	SA-0523565-30	5 6 3 S

Continued from previous column			
Description	Idx	Part Number	
Tip, Wing, Std., LH or RH	A	K0723615-200	1 K
		SA-0723615-200	1 S
Tip, Wing, Hoerner Style	A	11004 (set of two)	1 K
Wing Pos., Light Shield, LH	A	219-4-5	2 1 A
Wing Pos., Light Shield, RH	A	219-4-6	2 1 A
1 S/N 17001 thru 15060087 only 2 S/N 15060088 and on 3 FAA-PMA/STC approved split Fairing for easy installation and removal. 4 For wings with a conical wing tip 5 For kits including LH and RH, see page 281. 6 Add "LL-14V or LL-28V" suffix for FAA-PMA/STC wing tips including Quasar LED landing/taxi lights and optimized to accept LED nav/strobe lights. Must purchase as a LH and RH kit. See page 281. Add "LED" suffix for FAA-PMA/STC wing tips optimized to accept LED nav/strobe lights.			
150F,G,H,J,K S/N 15061533 thru 15072003			
Description	Idx	Part Number	
Cap, Rudder Top	J	26-0431013-1-80A	1
		SA-0431013-1	1 S
Cap, Vertical Fin Top No Beacon Base	I	K0431013-3-791	1 K
		SA-0431013-3	1 S
Cap, Vertical Fin Top 2 1/4" Beacon Base	I	26-0431017-1-80A	1
		SA-0431017-1	1 S
Fairing, Main Lndg Gear LH	F	FS-150-LG	1
Fairing, Main Lndg Gear RH	F	FS-150-RG	1
Fairing, Main Wheel, LH (Wheel Pant)	B	K0741046-203	3 1 K
Fairing, Main Wheel, RH (Wheel Pant)	B	K0741046-202	3 1 K

Continued from previous column			
Description	Idx	Part Number	
Fairing, Nose Wheel (Wheel Pant)	C	K0743625-14	3 1 K
Fairing, Strut to Fuselage, LH	E	118-4-27	1
		150-LFS	1 1 T
		K0421002-1	2 6 T
		SA-0421002-1	5 2 S
Fairing, Strut to Fuselage, RH	E	118-4-26	1
		150-RFS	1 1 T
		K0421002-2	2 6 T
		SA-0421002-2	5 2 S
Fairing, Strut to Wing, LH	D	118-4-5	1
		150-LWS	1 1 T
		K0522150-3	2 6 K
		SA-0522150-3	5 2 S
Fairing, Strut to Wing, RH	D	118-4-4	1
		150-RWS	1 1 T
		K0522150-4	2 6 K
		SA-0522150-4	5 2 S
Tip, Dorsal Fin	H	SA-0431024-1	1
		26-09	1
Tip, Elevator, LH or RH	L	GF0430004-10791	1 K
		SA-0430004-10	1 S
Tip, Horizontal Stab., LH or RH	K	26-08	1
		GF0430004-11791	1 K
		SA-0430004-11	1 S
Tip, Rudder Butt	M	26-11	1
		GF0431005-1-791	1 K
		SA-0431005-1	1 S
Tip, Wing, Conical, LH	A	20-51L-80A	4 1 T
		SA-0523565-29	8 9 S
Tip, Wing, Conical, RH	A	20-51R-80A	4 1 T
		SA-0523565-30	8 9 S

Eligibility continues in the next column Eligibility continues in the next column Eligibility continues on the next page

Manufacturer/Material: **A** Aircraft Development/Fiberglass, **K** Knots 2U/Fiberglass, **S** Stene Aviation/Fiberglass, **T** Texas Aeroplastics/ABS Plastic Parts

Cessna 150-152 Series Aircraft

Exterior Plastic/Fiberglass Trim and Fairings

Continued from previous page			
Description	Idx	Part Number	
Tip, Wing, Sym., LH or RH	A	26-0423008-3-80A	11
		SA-0423008-3	5
Tip, Wing, Hoerner Style	A	11004 (set of two)	10
Wing Pos., Light Shield, LH	A	219-4-5	7
Wing Pos., Light Shield, RH	A	219-4-6	7
1 S/N 15064533 and on 2 S/N 15067199 and on 3 S/N 15069309 and on 4 S/N 15071129 and on 5 Also available as a FAA-PMA/STC approved split Fairing for easy installation and removal; add an "SP" suffix to the P/N. 6 This is an ABS plastic part, split for easy installation. 7 For wings with a conical wing tip 8 For kits including LH and RH see page 281. 9 Add "LL-14V or LL-28V" suffix for FAA-PMA/STC wing tips including Quasar LED landing/taxi lights and optimized to accept LED nav/strobe lights. Must purchase as a LH and RH kit. See page 281. Add "LED" suffix for FAA-PMA/STC wing tips optimized to accept LED nav/strobe lights.			
150L,M			
S/N 15072004 thru 15079405			
Description	Idx	Part Number	
Cap, Rudder Top	J	26-0431013-1-80A	2
		26-15-80A	5
		GF0430011-2	5
		SA-0430011-2	5
Cap, Vertical Fin Top No Beacon Base	I	SA-0431013-1	2
		K0431013-3-791	1
		SA-0431013-3	5
Cap, Vertical Fin Top 2 1/4" Beacon Base	I	26-0431017-1-80A	2
		26-12	5
		GF0430011-1	5
Fairing, Brake Cover, LH	G	SA-0430011-1	5
		SA-0431017-1	5
		SA-0431017-1	2
Fairing, Brake Cover, RH	G	26-07-LBC	5
		SA-0441227-1	5
		26-07-RBC	5
Fairing, Main Landing Gear, LH	F	SA-0441227-2	5
		244-4-13	A
		26-06L	5
Fairing, Main Landing Gear, RH	F	SA-0441217-15	5
		244-4-14	A
		26-06R	5
Fairing, Main Wheel, LH (Wheel Pant)	B	SA-0441217-14	5
		GF0541223-01	4
		SA-0541203-1	1
Fairing, Main Wheel, RH (Wheel Pant)	B	SA-0541223-17	3
		GF0541223-02	4
		SA-0541203-2	1
Fairing, Nose Wheel (Wheel Pant)	C	SA-0541223-16	3
		20-40N-80A	4
		GF0543079-00	6
Fairing, Strut to Fuselage, LH	E	SA-0543065-1	1
		SA-0543079-3	3
		118-4-27	A
Fairing, Strut to Fuselage, RH	E	150-LFS	1
		K0421002-1	2
		SA-0421002-1	7
Fairing, Strut to Wing, LH	D	118-4-26	A
		150-RFS	1
		K0421002-2	3
Fairing, Strut to Wing, RH	D	SA-0421002-2	7
		118-4-5	A
		150-LWS	1
Tip, Dorsal Fin	H	K0522150-3	3
		SA-0522150-3	7
		118-4-4	A
Tip, Elevator, LH or RH	L	150-RWS	1
		K0522150-4	3
		SA-0522150-4	7
Tip, Horizontal Stab., LH or RH	K	26-10	1
		SA-0431024-1	5
		26-09	1
Tip, Rudder Butt	M	GF0430004-10791	4
		SA-0430004-10	5
		26-08	1
Tip, Wing, Conical Camber, LH	A	GF0430004-11791	4
		SA-0430004-11	5
		26-11	1
Tip, Wing, Conical Camber, RH	A	GF0431005-1-791	4
		SA-0431005-1	5
		20-51L-80A	1
Tip, Wing, Symmetrical	A	GF0523565-29791	4
		SA-0523565-29	10
		20-51R-80A	1
Tip, Wing, Symmetrical	A	GF0523565-30791	4
		SA-0523565-30	10
		20-51L-80A	1
Tip, Wing, Symmetrical	A	GF0523565-30791	4
		SA-0523565-30	10
		20-51R-80A	1

Continued from previous column			
Description	Idx	Part Number	
Tip, Wing, Conical, RH	A	20-51R-80A	1
		GF0523565-30791	4
		SA-0523565-30	10
Tip, Wing, Sym., LH or RH	A	26-0423008-3-80A	11
		SA-0423008-3	5
		11004 (set of two)	10
Wing Pos., Light Shield, LH	A	219-4-5	7
		Wing Pos., Light Shield, RH	A
		219-4-6	7
1 S/N 15072004 thru 15074850 only 2 S/N 15072004 thru 15075781 only 3 S/N 15074851 and on 4 S/N 15074851 thru 15077005 only 5 S/N 15075782 and on 6 Not for aircraft with heavy duty nose gear 7 Also available as a FAA-PMA/STC approved split Fairing for easy installation and removal; add an "SP" suffix to the P/N. 8 This is an ABS plastic part, split for easy installation. 9 For wings with a conical wing tip 10 For kits including LH and RH see page 281. 11 Add "LL-14V or LL-28V" suffix for FAA-PMA/STC wing tips including Quasar LED landing/taxi lights and optimized to accept LED nav/strobe lights. Must purchase as a LH and RH kit. See page 281. Add "LED" suffix for FAA-PMA/STC wing tips optimized to accept LED nav/strobe lights.			
A150K,L,M			
S/N A1500001 thru A1500734			
Description	Idx	Part Number	
Cap, Rudder Top	J	26-0431013-1-80A	2
		26-15-80A	5
		GF0430011-2	5
Cap, Vertical Fin Top No Beacon Base	I	SA-0430011-1	5
		SA-0431013-1	2
		SA-0431013-1	5
Fairing, Brake Cover, LH	G	SA-0441227-1	5
		26-07-RBC	5
		SA-0441227-2	5
Fairing, Brake Cover, RH	G	244-4-13	A
		26-06L	5
		SA-0441217-15	5
Fairing, Main Landing Gear, LH	F	244-4-14	A
		26-06R	5
		SA-0441217-14	5
Fairing, Main Landing Gear, RH	F	GF0541223-01	4
		SA-0541203-1	1
		SA-0541223-17	3
Fairing, Main Wheel, LH (Wheel Pant)	B	GF0541223-02	4
		SA-0541203-2	1
		SA-0541223-16	3
Fairing, Main Wheel, RH (Wheel Pant)	B	20-40N-80A	4
		GF0543079-00	6
		SA-0543065-1	1
Fairing, Nose Wheel (Wheel Pant)	C	SA-0543079-3	3
		118-4-27	A
		150-LFS	1
Fairing, Strut to Fuselage, LH	E	K0421002-1	2
		SA-0421002-1	7
		118-4-26	A
Fairing, Strut to Fuselage, RH	E	150-RFS	1
		K0421002-2	3
		SA-0421002-2	7
Fairing, Strut to Wing, LH	D	118-4-5	A
		150-LWS	1
		K0522150-3	3
Fairing, Strut to Wing, RH	D	SA-0522150-3	7
		118-4-4	A
		150-RWS	1
Tip, Dorsal Fin	H	K0522150-4	3
		SA-0522150-4	7
		26-10	1
Tip, Elevator, LH or RH	L	SA-0431024-1	5
		26-09	1
		GF0430004-10791	4
Tip, Horizontal Stab., LH or RH	K	SA-0430004-10	5
		26-08	1
		GF0430004-11791	4
Tip, Rudder Butt	M	SA-0430004-11	5
		26-11	1
		GF0431005-1-791	4
Tip, Wing, Conical Camber, LH	A	SA-0431005-1	5
		20-51L-80A	1
		GF0523565-29791	4
Tip, Wing, Conical Camber, RH	A	SA-0523565-29	10
		20-51R-80A	1
		GF0523565-30791	4
Tip, Wing, Symmetrical	A	SA-0523565-30	10
		20-51L-80A	1
		GF0523565-30791	4
Tip, Wing, Symmetrical	A	SA-0523565-30	10
		20-51R-80A	1
		GF0523565-30791	4

Continued from previous column			
Description	Idx	Part Number	
Wing Pos., Light Shield, LH	A	219-4-5	7
Wing Pos., Light Shield, RH	A	219-4-6	7
1 S/N A1500001 thru A1500226 2 S/N A1500001 thru A1500523 only 3 S/N A1500227 thru A1500429 only 4 S/N A1500227 and on 5 S/N A1500430 thru A1500523 only 6 S/N A1500430 and on 7 S/N A1500524 and on 8 For wings with a conical wing tip 9 For kits including LH and RH see page 281. 10 Add "LL-14V or LL-28V" suffix for FAA-PMA/STC wing tips including Quasar LED landing/taxi lights and optimized to accept LED nav/strobe lights. Must purchase as a LH and RH kit. See page 281. Add "LED" suffix for FAA-PMA/STC wing tips optimized to accept LED nav/strobe lights.			
F150F,G,H,J,K,L,M, FA150K,L,M, FRA150L,M			
S/N F150-0001 thru F15001428, FA1500001 thru FA1500336, FRA1500121 thru FRA1500261			
Description	Idx	Part Number	
Cap, Rudder Top	J	26-0431013-1-80A	2
		26-15-80A	5
		GF0430011-2	5
		SA-0431013-1	3
Cap, Vertical Fin Top No Beacon Base	I	K0431013-3-791	1
		SA-0430011-1	5
		SA-0441227-1	5
Fairing, Brake Cover, LH	G	SA-0441227-2	5
		26-06L	5
		SA-0441217-15	5
Fairing, Brake Cover, RH	G	SA-0441217-14	5
		GF0541223-01	4
		SA-0541203-1	1
Fairing, Main Wheel, LH (Wheel Pant)	B	SA-0541223-17	3
		GF0541223-02	4
		SA-0541203-2	1
Fairing, Main Wheel, RH (Wheel Pant)	B	SA-0541223-16	3
		20-40N-80A	4
		GF0543079-00	6
Fairing, Nose Wheel (Wheel Pant)	C	SA-0543065-1	1
		SA-0543079-3	3
		150-LFS	1
Fairing, Strut to Fuselage, LH	E	K0421002-1	2
		SA-0421002-1	7
		150-RFS	1
Fairing, Strut to Fuselage, RH	E	K0421002-2	3
		SA-0522150-6	19
		SA-0522150-7	19
Fairing, Strut to Wing, LH	D	150-LWS	1
		K0522150-3	3
		SA-0421002-3	7
Fairing, Strut to Wing, RH	D	SA-0421002-4	7
		150-RWS	1
		K0522150-4	3
Tip, Dorsal Fin	H	SA-0421002-4	7
		150-LWS	1
		K0522150-3	3
Tip, Elevator, LH or RH	L	SA-0431024-1	5
		26-09	1
		GF0430004-10791	4
Tip, Rudder Butt	M	SA-0430004-10	5
		26-11	1
		GF0431005-1-791	4
Tip, Horizontal Stab., LH or RH	K	SA-0431005-1	5
		26-08	1
		GF0430004-11791	4
Tip, Wing, Con. Camber LH	A	SA-0430004-11	5
		26-08	1
		GF0523565-29791	4
Tip, Wing, Con. Camber RH	A	SA-0523565-29	10
		20-51R-80A	1
		GF0523565-30791	4
Tip, Wing, LH	A	SA-0523565-30	10
		20-51L-80A	1
		GF0523565-30791	4
Tip, Wing, RH	A	SA-0523565-30	10
		20-51R-80A	1
		GF0523565-30791	4
Tip, Wing, Symmetrical	A	26-0423008-3-80A	11
		SA-0423008-3	5
		26-09	1

Eligibility continues in the next column

Eligibility continues in the next column

Eligibility continues on the next page

 Manufacturer/Material: **A** Aircraft Development/Fiberglass, **K** Knots 2U/Fiberglass, **S** Stene Aviation/Fiberglass, **T** Texas AeroPlastics/ABS Plastic Parts

Cessna 150-152 Series Aircraft

Continued from previous page

- 1 S/N F150-0001 thru F15000523, and S/N FA1500001 thru FA1500261 only
- 2 S/N F150-0001 thru F15000658
- 3 S/N F150-0001 thru F15001143 and S/N FA1500001 thru FA1500261 only
- 4 S/N F150-0001 thru F15001428, and S/N FA1500001 thru FA1500336 only
- 5 S/N F150-0001 thru F15001428, and S/N FA1500001 thru FA1500261 only
- 6 S/N F150-0220 thru F15001428 only
- 7 S/N F15000530 thru F15001428 only
- 8 S/N F15000530 thru F15001428, and S/N FA1500001 thru FA1500336 only
- 9 S/N F15000659 thru F15001143, and S/N FA1500082 thru FRA1500120 only
- 10 S/N F15000659 thru F15001428, and S/N FA1500082 thru FRA1500261 only
- 11 S/N F15000659 thru F15001428, and S/N FA1500082 thru FRA1500336 only
- 12 S/N F15001014 thru F15001428 only
- 13 S/N F15001144 thru F15001428, and S/N FA1500082 thru FA1500336 only
- 14 S/N F15001144 thru F15001428, and S/N FA1500262 thru FA1500336 only
- 15 S/N F15001144 thru F15001428, and S/N FA1500262 thru FA1500336, and S/N FRA1500262 thru FRA1500336 only
- 16 S/N F150-0390 thru F15000658 and S/N FA1500001 thru FA1500081 only
- 17 S/N F15000530 thru F15000658 and S/N FA1500001 thru FA1500081 only
- 18 S/N FA1500001 thru FA1500120 only
- 19 S/N FA1500001 thru FA1500261 only
- 20 This is an ABS plastic part, split for easy installation.
- 21 For kits including LH and RH, see page 281.
- 22 S/N F150-0001 thru F15001428 only

152, A152, F152, FA152
S/N 15279406 thru 15286033, A1520735 thru A1521049, F15201429 thru F15201980, FA1520337 thru FA1520425

Description	Idx	Part Number
Cap, Rudder Top	J	26-15-80A T
		GF0430011-2 G K
		SA-0430011-2 S
Cap, Vertical Fin Top 2 1/4" Beacon Base	I	26-12 2 T
		GF0430011-1 2 K
		SA-0430011-1 S
Fairing, Brake Cover, LH	G	26-07-LBC 1 T
		SA-0441227-1 S
Fairing, Brake Cover, RH	G	26-07-RBC 1 T
		SA-0441227-2 S
Fairing, Main Landing Gear LH	F	244-4-13 A
		26-06L T
		SA-0441217-15 S
Fairing, Main Landing Gear RH	F	244-4-14 A
		26-06R T
		SA-0441217-14 S
Fairing, Main Wheel, LH (Wheel Pant)	B	GF0541223-01 K
		SA-0541223-17 S
Fairing, Main Wheel, RH (Wheel Pant)	B	GF0541223-02 K
		SA-0541223-16 S
Fairing, Nose Wheel (Wheel Pant)	C	20-40N-80A T
		GF0543079-00 K
Fairing, Strut to Fuselage, LH	E	SA-0543079-3 S
		118-4-27 1 A
Fairing, Strut to Fuselage, RH	E	150-LFS 4 T
		K0421002-1 1 10 T
		SA-0421002-1 1 3 S
		SA-0421002-3 7 S
Fairing, Strut to Fuselage, LH	E	118-4-26 1 A
		150-RFS 4 T
		K0421002-2 1 9 T
		SA-0421002-2 1 3 S
Fairing, Strut to Wing, LH	D	SA-0421002-4 7 S
		118-4-5 1 A
		150-LWS 4 T
		K0522150-3 4 9 K
Fairing, Strut to Wing, RH	D	SA-0522150-3 1 3 S
		SA-0522150-4 1 3 S
		SA-0522150-7 7 S
		118-4-4 1 A
Tip, Dorsal Fin	H	150-RWS 4 T
		26-10 1 T
		SA-0431024-1 1 S
Tip, Elevator, LH or RH	L	26-09 T
		GF0430004-10791 K
		SA-0430004-10 1 S
Tip, Horizontal Stab., LH or RH	K	26-08 T
		GF0430004-11791 K
		SA-0430004-11 2 S

Eligibility continues in the next column

Manufacturer/Material: **A** Aircraft Development/Fiberglass, **K** Knots 2U/Fiberglass, **S** Stene Aviation/Fiberglass, **T** Texas Aeroplastics/ABS Plastic Parts

Continued from previous column

Tip, Rudder Butt	M	26-11 3 T
		GF0431005-1-791 K
Tip, Wing, Conical, LH	A	SA-0431005-1 7 S
		20-51L-80A 1 T
		GF0523565-29791 K
Tip, Wing, Conical, RH	A	SA-0523565-29 12 13 S
		20-51R-80A 1 T
		GF0523565-30791 K
Tip, Wing, Symmetrical	A	SA-0523565-30 12 13 S
		26-0423008-3-80A 1 T
Wing Pos., Light Shield, LH	A	219-4-5 10 A
Wing Pos., Light Shield, RH	A	219-4-6 10 A

- 1 Model 152 only
- 2 Models 152, A152 only
- 3 Models 152, A152, F152 only
- 4 Models 152 and F152 only
- 5 S/N 15279406 thru 15286033, and S/N F15201429 thru F15201952, and S/N FA1520337 thru FA1520387 only
- 6 S/N A1520735 thru A1521049 only
- 7 Also available as a FAA-PMA/STC approved split Fairing for easy installation and removal; add an "SP" suffix to the P/N.
- 8 This is an ABS plastic part, split for easy installation.
- 9 For wings with a conical wing tip
- 10 For kits including LH and RH, see page 281.
- 11 Add "LL-14V or LL-28V" suffix for FAA-PMA/STC wing tips including Quasar LED landing/taxi lights and optimized to accept LED nav/strobe lights. Must purchase as a LH and RH kit. See page 281.
- 12 Add "LED" suffix for FAA-PMA/STC wing tips optimized to accept LED nav/strobe lights.

Kits for 150-152 aircraft

Kit P/N	Kit Description	Part Number	Item Description
20-51-80A	Conical Wing Tip Kit	20-51L-80A	Tip, Wing, LH
		20-51R-80A	Tip, Wing, RH
26-04-80A	Strut Fairing Kit, Plastic	150-LFS	Fairing, Strut to Fuselage, LH
		150-RFS	Fairing, Strut to Fuselage, RH
		150-LWS	Fairing, Strut to Wing, LH
		150-RWS	Fairing, Strut to Wing, RH
26-05-80A	Landing Gear Fairing Kit Flat Gear Only	FS-150-LG	Fairing, Main Landing Gear, LH
		FS-150-RG	Fairing, Main Landing Gear, RH
26-06-80A	Landing Gear Fairing Kit Tube Gear Only	26-06L	Fairing, Main Landing Gear, LH
		26-06R	Fairing, Main Landing Gear, RH
26-07-80A	Brake Cover Fairing Kit	26-07-LBC	Fairing, Brake Cover, LH
		26-07-RBC	Fairing, Brake Cover, RH
118-92	Strut Fairing Kit, Fiberglass	118-4-27	Fairing, Strut to Fuselage, LH
		118-4-26	Fairing, Strut to Fuselage, RH
		118-4-5	Fairing, Strut to Wing, LH
		118-4-4	Fairing, Strut to Wing, RH
KPS04	Split Strut Fairing Kit, Plastic	K0421002-1	Fairing, Strut to Fuselage, LH
		K0421002-2	Fairing, Strut to Fuselage, RH
		K0522150-3	Fairing, Strut to Wing, LH
		K0522150-4	Fairing, Strut to Wing, RH
SA-0421002-1234	Fairing Kit, Fiberglass For FAA-PMA/STC split Fairings add an "SP" suffix to the kit P/N.	SA-0421002-1	Fairing, Strut to Fuselage, LH
		SA-0421002-2	Fairing, Strut to Fuselage, RH
		SA-0522150-3	Fairing, Strut to Wing, LH
SA-0523565-2930	Wing Tips 1 2	SA-0522150-4	Fairing, Strut to Wing, RH
		SA-0523565-29	Tip, Wing, Conical, LH
		SA-0523565-30	Tip, Wing, Conical, RH

- 1 Add "LL-14V (14 Volt Installation) or LL-28V (28 Volt Installation)" suffix for FAA-PMA/STC wing tips including Quasar LED landing/taxi lights and optimized to accept LED nav/strobe lights. Installation kit including all hardware required for installation of Quasar LED lighted wing tips is included. Kits include shielded wire, all connectors, switches and breaker.
- 2 Add "LED" suffix for FAA-PMA/STC wing tips optimized to accept LED nav/strobe lights.

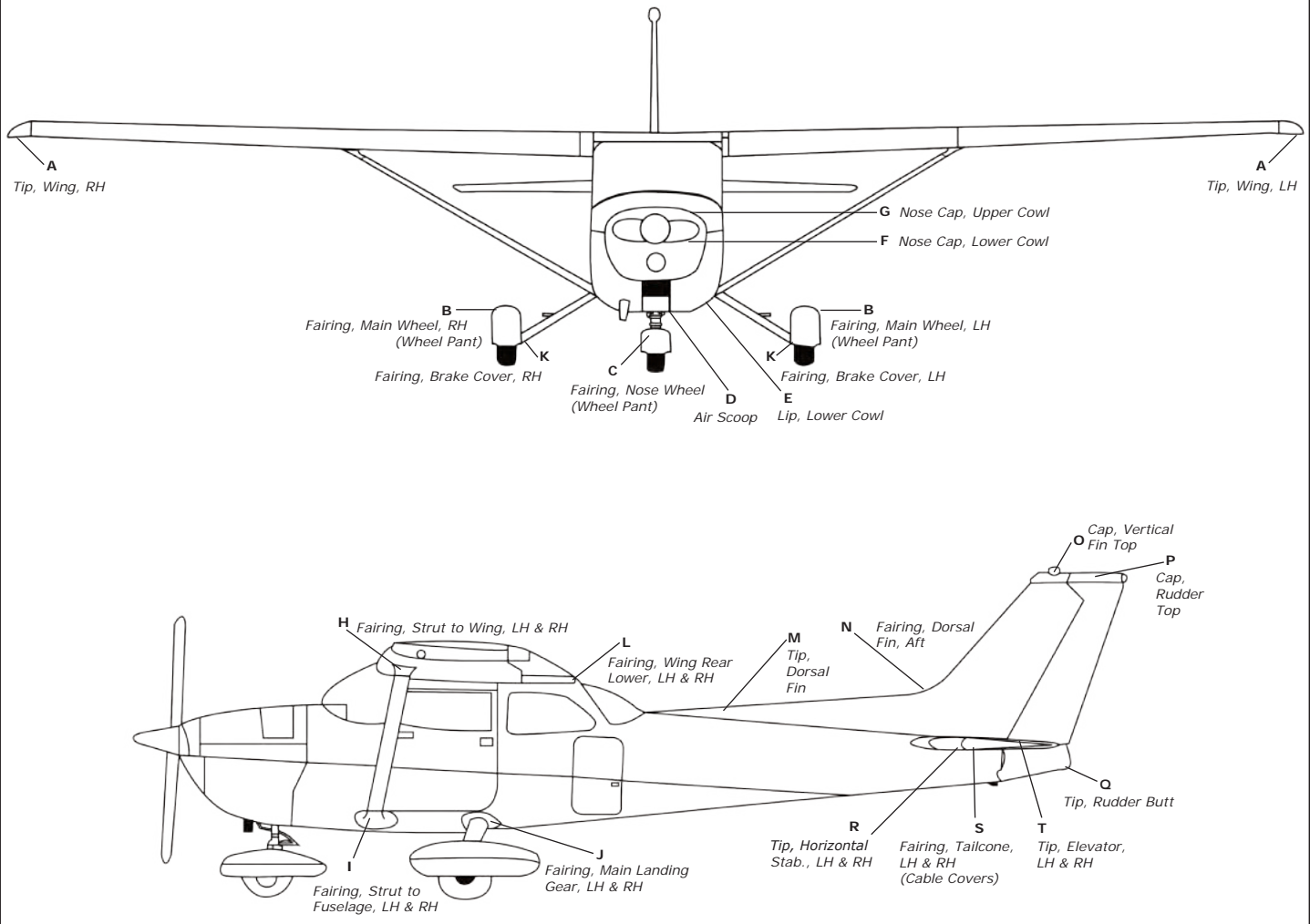
Improve the appearance and performance of your aircraft!

Strut and landing gear fairings, tail surface fairings, wing tips, and cowling fairings for Cessna 170-177 series aircraft available in ABS plastic and fiberglass.

Save \$\$\$



Eligibility tables for Cessna 170, 172, 175 and 177 aircraft with item descriptions, index reference and part numbers can be found on the following pages.



Cessna 170, 172, 175 and 177 Series Aircraft

170, 170A, B S/N 18000 thru 27169		
Description	Idx	Part Number
Air Scoop	D	GF0552001-16 2 K
Fairing, Strut To Fuslg LH	I	118-4-7 1 A SA-0522150-1SP 1 S
Fairing, Strut To Fuslg RH	I	118-4-6 1 A SA-0522150-2SP 1 S
Fairing, Strut To Wing LH	H	118-4-5 1 A
Fairing, Strut To Wing RH	H	118-4-4 1 A
Lip, Lower Cowl	E	GF55200-00 2 K
Nose Cap, Lower Cowl	F	GF0552002-51 4 K
Nose Cap, Upper Cowl	G	GF0595000-3 4 K
Tip, Wing, Conical, LH	A	SA-0523565-29 1 S 7 S
Tip, Wing, Conical, RH	A	SA-0523565-30 1 S 7 S
Tip, Wing, LH or RH	A	SA-0723615-200 5
Tip, Wing, Hoerner Style	A	11004 (set of two) 3 K
Wing Pos., Light Shield, LH	A	219-4-5 6 A
Wing Pos., Light Shield, RH	A	219-4-6 6 A
1 S/N 18730 and on 2 S/N 19200 and on 3 S/N 20267 and on 4 S/N 25373 and on 5 FAA-PMA/STC approved split fairing for easy installation and removal. 6 For wings with a conical wing tip 7 Add "LL-14V or LL-28V" suffix for FAA-PMA/STC wing tips including Quasar LED landing/taxi lights and optimized to accept LED nav/strobe lights. Must purchase as a LH and RH kit. See page 285. Add "LED" suffix for FAA-PMA/STC wing tips optimized to accept LED nav/strobe lights.		
172, 172A, B, C, D, E, F, G, H, I S/N 28000 thru 17257161		
Description	Idx	Part Number
Air Scoop	D	GF0552001-16 2 K
Cap, Rudder Top	P	28-531006-34-80A 7 T K0531006-34 11 K SA-0531006-34 7 S
Cap, Vertical Fin No Beacon Base	O	28-531006-33-80A 7 T SA-0531006-33 7 S SA-0531001-36 2 S
Cap, Vertical Fin 2 1/4" Beacon Base	O	28-0531109-180A 13 T SA-0531009-1 12 S
Cap, Vertical Fin 3 1/2" Beacon Base	O	SA-0531004-3 2 S
Fairing, Main Wheel, LH (Wheel Pant)	B	K0741046-203 12 K
Fairing, Main Wheel, RH (Wheel Pant)	B	K0741046-202 12 K
Fairing, Nose Wheel	B	K0743625-14 12 K
Fairing, Strut To Fuslg LH	I	118-4-7 A 28-07-LFS T K0522150-1 6 T SA-0522150-1 14 S
Fairing, Strut To Fuslg RH	I	118-4-6 A 28-07-RFS T K0522150-2 6 T SA-0522150-2 14 S
Fairing, Strut To Wing, LH	H	118-4-5 17 A 118-4-15 17 A 28-06-LWS 6 T K0522150-3 6 T SA-0522150-3 14 S
Fairing, Strut To Wing, RH	H	118-4-4 17 A 118-4-14 17 A 28-06-RWS 6 T K0522150-4 6 T SA-0522150-4 14 S
Fairing Wing Rear Low, LH	L	GF0520006-01 10 K
Fairing Wing Rear Low, RH	L	GF0520006-02 10 K
Fairing, Tailcone (Cable Covers) LH or RH	S	28-18 11 T SA-0530011-2 11 S
Lip, Lower Cowl	E	GF55200-00 2 K
Nose Cap, Lower Cowl	F	GF0552002-51 4 K
Nose Cap, Upper Cowl	G	GF0595000-3 4 K
Nose Cap, Skin	N/A	K0552010-17 10 K
Tip, Dorsal Fin	M	28-15 12 T 220-4-7 11 A 28-09-L 11 T GF0532001-94 11 K SA-0532001-94 11 S 220-4-8 11 A 28-09-R 11 T GF0532001-100 11 K SA-0532001-100 11 S
Tip, Elevator, LH	T	
Tip, Elevator, RH	T	

Continued from previous column		
Description	Idx	Part Number
Tip, Elevator, LH or RH	T	K0532001-62 8 R SA-0532001-62 8 S
Tip, Rudder Butt	Q	28-21-80A 7 T K0531006-35 7 K K0531104 2 K SA-0531104 2 S SA-0531006-35 7 S
Tip, Horiz. Stab., LH or RH	R	K0532001-61 9 K SA-0532001-61 9 S 28-10 11 T GF0532001-00 11 K SA-0532001-93 11 S
Tip, Wing, Conical, LH	A	SA-0523565-29 10 17 S
Tip, Wing, Conical, RH	A	SA-0523565-30 10 17 S
Tip, Wing, Hoerner Style	A	11004 (set of two) K
Tip, Wing, Sym., LH or RH	A	K0723615-200 5 K SA-0723615-200 5 S
Wing Pos., Light Shield, LH	A	219-4-5 13 A
Wing Pos., Light Shield, RH	A	219-4-6 13 A
1 S/N 28000 thru 36965 only 2 S/N 28000 thru 46754 only 3 S/N 28000 thru 47746 only 4 S/N 28000 thru 17248734 only 5 S/N 28000 thru 17249544 only 6 S/N 28000 thru 17258486 only 7 S/N 46518 and on 8 S/N 46755 and on 9 S/N 17247747 thru 17249085 only 10 S/N 17247747 thru 17249544 only 11 S/N 17247747 thru 17253392 only 12 S/N 17249545 and on 13 S/N 17254425 and on 14 S/N 17254893 and on 15 Also available as a FAA-PMA/STC approved split Fairing for easy installation and removal; add an "SP" suffix to the P/N. 16 For wings with a conical wing tip 17 For kits including LH and RH, see page 285. 18 Add "LL-14V or LL-28V" suffix for FAA-PMA/STC wing tips including Quasar LED landing/taxi lights and optimized to accept LED nav/strobe lights. Must purchase as a LH and RH kit. See page 285. Add "LED" suffix for FAA-PMA/STC wing tips optimized to accept LED nav/strobe lights.		
172K, L, M S/N 17257162 thru 17267584		
Description	Idx	Part Number
Cap, Rudder Top	P	28-19-80A T 28-04-80A 10 T K0533009-1-791 4 K K0531006-112 14 K SA-0533009-1 4 S SA-0531006-112 14 S
Cap, Vertical Fin All with 2 1/4" Beacon Base	O	28-24-80A T 28-02 13 T GF0531033-1 14 K SA-0531003-1 14 S SA-0531013-1 9 S
Fairing, Brake Cover, LH	K	28-08-LBC 11 T SA-0541224-1 10 S
Fairing, Brake Cover, RH	K	28-08-RBC 11 T SA-0541224-2 10 S
Fairing, Dorsal Fin, Aft	N	28-17 2 T K0531012-2 9 K SA-0531012-2 8 S 244-4-9 8 A
Fairing, Landing Gear, LH	J	28-05-LGF 8 T SA-1741005-239 8 S 244-4-10 8 A
Fairing, Landing Gear, RH	J	28-05-RGF 8 T SA-1741005-240 8 S GF0541223-01 11 K K0741046-203 11 K SA-0541203-1 6 S SA-0541223-17 11 S
Fairing, Main Wheel, LH (Wheel Pant)	B	GF0541223-02 11 K K0741046-202 11 K SA-0541203-2 6 S SA-0541223-16 11 S
Fairing, Main Wheel, RH (Wheel Pant)	B	20-40N-80A 10 T GF0543079-00 11 K K0743625-14 11 K SA-0543065-1 7 S SA-0543079-3 12 S
Fairing, Nose Wheel	C	

Continued from previous column		
Description	Idx	Part Number
Fairing, Strut To Fuslg, LH	I	118-4-7 A 28-07-LFS T K0522150-1 6 T SA-0522150-1 15 S
Fairing, Strut To Fuslg, RH	I	118-4-6 A 28-07-RFS T K0522150-2 6 T SA-0522150-2 15 S
Fairing, Strut To Wing, LH	H	118-4-5 3 A 118-4-15 10 A 28-06-LWS 3 T 28-07-LWS 10 T K0522150-3 3 T SA-0522150-3 3 15 S SA-0523047-1 10 15 S
Fairing, Strut To Wing, RH	H	118-4-4 3 A 118-4-14 10 A 28-06-RWS 3 T 28-07-RWS 10 T K0522150-4 3 T SA-0522150-4 3 15 S SA-0523047-2 10 15 S
Fairing, Tailcone (Cable Covers) LH or RH	S	28-18 T SA-0530011-2 5 S
Fairing Wing Rear Low, LH	L	GF0520006-01 K
Fairing Wing Rear Low, RH	L	GF0520006-02 K
Tip, Dorsal Fin	M	28-15 2 T 28-16 9 T SA-0531020-1 8 S 28-09-L T
Tip, Elevator, LH	T	GF0532001-94 K SA-0532001-94 K
Tip, Elevator, RH	T	28-09-R K GF0532001-100 K SA-0532001-100 S
Tip, Rudder Butt	Q	28-12 T GF0531006-80-791 K SA-0531006-80 S
Tip, Horiz. Stab., LH or RH	R	SA-0532001-93 S
Tip, Wing, Conical, LH	A	20-51L-80A 3 T 20-52L-80A 10 T GF0523565-29-791 5 K GF0723200-5 10 K SA-0723200-5 10 18 19 S SA-0523565-29 9 18 19 S
Tip, Wing, Conical, RH	A	20-51R-80A 3 T 20-52R-80A 10 T GF052356530-791 5 K GF0723200-6 10 K SA-0723200-6 10 18 19 S SA-0523565-30 9 18 19 S
Tip, Wing, Hoerner Style	A	11004 (set of two) 1 K
Tip, Wing, Sym., LH or RH	A	SA-0723615-200 1 S
Wing Pos., Light Shield, LH	A	219-4-5 13 16 A 219-4-7 10 17 A
Wing Pos., Light Shield, RH	A	219-4-6 13 16 A 219-4-8 10 17 A
1 S/N 17257162 thru 17259223 only 2 S/N 17257162 thru 17259903 only 3 S/N 17257162 thru 17260758 only 4 S/N 17257162 thru 17265684 only 5 S/N 17259224 thru 17260758 only 6 S/N 17259224 thru 17261898 only 7 S/N 17259224 thru 17263458 only 8 S/N 17259224 and on 9 S/N 17259904 and on 10 S/N 17260759 and on 11 S/N 17261899 and on 12 S/N 17263459 and on 13 S/N 17265485 and on 14 S/N 17265685 and on 15 Also available as a FAA-PMA/STC approved split Fairing for easy installation and removal; add an "SP" suffix to the P/N. 16 For wings with a conical wing tip 17 For a wing with STOL leading edge radius 18 For kits including LH and RH, see page 285. 19 Add "LL-14V or LL-28V" suffix for FAA-PMA/STC wing tips including Quasar LED landing/taxi lights and optimized to accept LED nav/strobe lights. Must purchase as a LH and RH kit. See page 285. Add "LED" suffix for FAA-PMA/STC wing tips optimized to accept LED nav/strobe lights.		

Exterior Plastic/Fiberglass Trim and Fairings

Eligibility continues in next column. Eligibility continues in next column. Manufacturer/Material: **A** Aircraft Development/Fiberglass, **K** Knots 2U/Fiberglass, **S** Stene Aviation/Fiberglass, **T** Texas Aeroplastics/ABS Plastic Parts

Cessna 170, 172, 175 and 177 Series Aircraft

Exterior Plastic/Fiberglass Trim and Fairings

172N,P,Q,R,S S/N 17267585 thru 172S9999		
Description	Idx	Part Number
Cap, Rudder Top	P	28-04-80A 4 T K0533155-2 8 K K0531006-112 2 K SA-0531006-112 4 S SA-0533155-2 8 S
Cap, Vertical Fin 2 1/4" Beacon Base	O	28-02 1 T GF0531033-1 K SA-0531003-1 1 8 S SA-0531033-6 6 S
Fairing, Brake Cover, LH	K	28-08-LBC T SA-0541224-1 S
Fairing, Brake Cover, RH	K	28-08-RBC T SA-0541224-2 S
Fairing, Dorsal Fin, Aft	N	K0531012-2 K SA-0531012-2 S
Fairing, Landing Gear, LH	J	244-4-9 4 A 28-05-LGF 4 T SA-1741005-239 4 S SA-1741005-59 8 S
Fairing, Landing Gear, RH	J	244-4-10 4 A 28-05-RGF 4 T SA-1741005-240 4 S SA-1741005-60 8 S
Fairing, Main Wheel, LH (Wheel Pant)	B	GF0541223-01 K SA-0541223-17 S
Fairing, Main Wheel, RH (Wheel Pant)	B	GF0541223-02 K SA-0541223-16 S
Fairing, Nose Wheel	C	20-40N-80A T GF0543079-00 K SA-0543079-3 S
Fairing, Strut To Fuslg, LH	I	118-4-7 A 28-07-LFS T K0522150-1 T SA-0522150-1 9 S
Fairing, Strut To Fuslg, RH	I	118-4-6 A 28-07-RFS T K0522150-2 T SA-0522150-2 9 S
Fairing, Strut To Wing, LH	H	118-4-15 A 28-07-LWS T SA-0523047-1 9 S
Fairing, Strut To Wing, RH	H	118-4-14 A 28-07-RWS T SA-0523047-2 9 S
Fairing, Tailcone (Cable Covers) LH or RH	S	28-18 T SA-0530011-2 S
Fairing Wing Rear Low, LH	L	GF0520006-01 4 K GF0520006-02 4 K
Fairing Wing Rear Low, RH	L	28-16 7 T SA-0531020-1 S 28-09-L T GF0532001-94 K SA-0532001-94 S 28-09-R T GF0532001-100 K SA-0532001-100 S
Tip, Dorsal Fin	M	28-11 7 T 28-12 2 T GF053100680-791 2 K K0533155-1 8 K SA-0531006-80 4 S SA-0533155-1 8 S
Tip, Elevator, LH	T	28-10 7 T GF0532001-00 7 K SA-0532001-93 S
Tip, Elevator, RH	T	20-52L-80A T GF0723200-5 5 K SA-0723200-5 5 11 12 S SA-0723205-1 8 S
Tip, Rudder Butt	Q	20-52R-80A T GF0723200-6 5 K SA-0723200-6 5 11 12 S SA-0723205-2 8 S
Tip, Horiz. Stab., LH or RH	D	219-4-7 10 A 219-4-8 10 A
Wing Pos., Light Shield, LH	A	219-4-7 10 A
Wing Pos., Light Shield, RH	A	219-4-8 10 A

Continued from previous column

1 S/N 17267585 thru 17274009 only
 2 S/N 17267585 thru 17275953 only
 3 S/N 17267585 thru 17276260 only
 4 S/N 17267585 thru 17276654 only
 5 S/N 17267585 and on
 6 S/N 17274010 thru 17276654 only
 7 S/N 17275954 and on
 8 S/N 17280001 and on
 9 Also available as a FAA-PMA/STC approved split Fairing for easy installation and removal; add an "SP" suffix to the P/N.
 10 For a wing with STOL leading edge radius
 11 For kits including LH and RH, see page 285.
 12 Add "LL-14V or LL-28V" suffix for FAA-PMA/STC wing tips including Quasar LED landing/taxi lights and optimized to accept LED nav/strobe lights. Must purchase as a LH and RH kit. See page 285.
 Add "LED" suffix for FAA-PMA/STC wing tips optimized to accept LED nav/strobe lights.

172RG, FP172, FR172E, FR172K, P172D, R172E, F, G, H, J, K
 S/N 172RG0001 thru 172RG1191
 S/N FP172-0001 thru FP172-0003
 S/N FR172-0001 thru FR172-0060
 S/N FR17200591 thru FR17200675
 S/N P17257120 thru P17257188
 S/N R172-0001 thru R1723454

Description	Idx	Part Number
Cap, Rudder Top	P	28-04-80A 2 T K0531006-34 12 K K0531006-112 13 K SA-0531006-112 7 S
Cap, Vertical Fin All with 2 1/4" Beacon Base	O	GF0531033-1 1 10 K SA-0531003-1 5 S
Fairing, Brake Cover, LH	K	SA-0541224-1 3 S
Fairing, Brake Cover, RH	K	SA-0541224-2 3 S
Fairing, Dorsal Fin, Aft	N	K0531012-2 5 K SA-0531012-2 5 S
Fairing, Landing Gear, LH	J	244-4-9 3 A SA-1741005-239 3 S
Fairing, Landing Gear, RH	J	244-4-10 3 A SA-1741005-240 3 S
Fairing, Main Wheel, LH (Wheel Pant)	B	GF0541223-01 3 K SA-0541223-17 3 S
Fairing, Main Wheel, RH (Wheel Pant)	B	GF0541223-02 3 K SA-0541223-16 3 S
Fairing, Nose Wheel	C	GF0543079-00 3 K SA-0543079-3 3 S
Fairing, Strut To Fuslg, LH	I	118-4-7 13 A K0522150-1 11 T SA-0522150-1 11 13 S
Fairing, Strut To Fuslg, RH	I	118-4-6 13 A K0522150-2 11 T SA-0522150-2 11 13 S
Fairing, Strut To Wing, LH	H	118-4-15 14 A K0522150-3 8 T SA-0523047-1 9 S SA-0522150-3 8 S
Fairing, Strut To Wing, RH	H	118-4-14 14 A K0522150-4 8 T SA-0523047-2 9 S SA-0522150-4 8 S
Fairing, Tailcone (Cable Covers) LH or RH	S	SA-0530011-2 5 S
Fairing Wing Rear Low, LH	L	GF0520006-01 1 K GF0520006-02 1 K
Fairing Wing Rear Low, RH	L	SA-0531020-1 9 S GF0532001-94 9 K SA-0532001-94 9 S
Tip, Elevator, LH	T	GF0532001-100 9 K SA-0532001-100 9 S
Tip, Elevator, RH	T	GF0532001-100 9 K SA-0532001-100 9 S
Tip, Rudder Butt	Q	GF053100680-791 7 K K0531006-35 3 K SA-0531006-80 5 S
Tip, Horiz. Stab., LH or RH	R	GF0532001-00 6 S SA-0532001-93 5 S
Tip, Wing, LH	A	20-52L-80A 7 T GF0723200-5 1 2 K SA-0723200-5 7 17 18 S
Tip, Wing, RH	A	20-52R-80A 7 T GF0723200-6 1 3 K SA-0723200-6 7 17 18 S
Tip, Wing, Sym., LH or RH	A	K0723615-200 8 K
Wing Pos., Light Shield, LH	A	219-4-7 16 A
Wing Pos., Light Shield, RH	A	219-4-8 16 A

Eligibility continues in next column

Continued from previous column

1 S/N 172RG0001 thru 172RG1178 only
 2 Model 172RG only
 3 Model R172K only
 4 Model P172D only
 5 Models 172RG and R172K only
 6 Models 172RG, R172K and P172D only
 7 Models 172RG, FR172K and R172K only
 8 Models FP172 and P172D only
 9 Models FP172, FR172K, P172 and R172K only
 10 Models FR172K and R172K only
 11 Models 172RG, FP172, R172K and P172D only
 12 Models P172D, FP172, FR172E only
 13 Models R172K and 172RG S/N 172RG0001 thru 172RG1134
 14 Models R172RG, P172D, R172E, F, G, H, J, K only
 15 Also available as a FAA-PMA/STC approved split Fairing for easy installation and removal; add an "SP" suffix to the P/N.
 16 For a wing with STOL leading edge radius
 17 For kits including LH and RH, see page 285.
 18 Add "LL-14V or LL-28V" suffix for FAA-PMA/STC wing tips including Quasar LED landing/taxi lights and optimized to accept LED nav/strobe lights. Must purchase as a LH and RH kit. See page 285.
 Add "LED" suffix for FAA-PMA/STC wing tips optimized to accept LED nav/strobe lights.

F172D, E, F, G, H, K, L, M, N, P
 S/N F172-0001 thru F17202254

Description	Idx	Part Number
Cap, Rudder Top	P	28-04-80A 17 T 28-0531006-34-80A 1 T 28-19-80A 11 T K0531006-34 1 K K0531006-112 17 K SA-0531006-34 2 S SA-0531006-112 16 S SA-0531009-1 6 S SA-0533009-1 8 S
Cap, Vertical Fin No Beacon Base	O	28-0531006-33-80A 1 T SA-0531006-33 4 S 28-24-80A 10 T GF0531033-1 18 K SA-0531013-1 8 S SA-0531033-6 16 S
Fairing, Brake Cover, LH	K	SA-0541224-1 16 S
Fairing, Brake Cover, RH	K	SA-0541224-2 16 S
Fairing, Dorsal Fin, Aft	N	28-17 10 T K0531012-2 K
Fairing, Landing Gear, LH	J	GF0541223-01 16 K SA-1741005-239 18 S
Fairing, Landing Gear, RH	J	GF0541223-02 16 K SA-1741005-240 18 S
Fairing, Main Wheel, LH (Wheel Pant)	B	K0741046-203 2 K SA-0541203-1 14 S SA-0541223-17 16 S
Fairing, Main Wheel, RH (Wheel Pant)	B	K0741046-202 2 K SA-0541203-2 14 S SA-0541223-16 16 S
Fairing, Nose Wheel	C	20-40N-80A 16 T GF0543079-00 16 K SA-0543065-1 14 S SA-0543079-3 16 S
Fairing Wing Rear Low, LH	L	K0522150-1 T SA-0522150-1 S
Fairing Wing Rear Low, RH	L	K0522150-2 T SA-0522150-2 S
Fairing, Strut To Wing, LH	H	K0522150-3 3 T SA-0522150-3 3 S SA-0523047-1 16 S
Fairing, Strut To Wing, RH	H	K0522150-4 3 T SA-0522150-4 3 S SA-0523047-2 16 S
Fairing, Tailcone, (Cable Covers) LH or RH	S	28-18 T SA-0530011-2 S
Tip, Dorsal Fin	M	28-15 5 T
Tip, Elevator, LH	T	GF0532001-94 K SA-0532001-94 S
Tip, Elevator, RH	T	GF0532001-100 K SA-0532001-100 S
Tip, Rudder Butt	Q	K0531006-35 1 K GF053100680-791 12 K SA-0531006-35 2 S SA-0531006-80 9 S
Tip, Horiz. Stab., LH or RH	R	GF0532001-00 K SA-0532001-93 S

Eligibility continues on next page

Cessna 170, 172, 175 and 177 Series Aircraft

Continued from previous page

Tip, Wing, LH	A	20-51L-80A	7 T
		20-52L-80A	16 T
		SA-0523565-29	13 19 S
Tip, Wing, RH	A	SA-0723200-5	16 19 S
		20-51R-80A	7 T
		20-52R-80A	16 T
Tip, Wing, Sym., LH or RH	A	SA-0523565-30	13 19 S
		SA-0723200-6	16 19 S

- 1 S/N F172-0001 thru F172-0559 only
- 2 S/N F172-0001 thru F17200754 only
- 3 S/N F172-0001 thru F17200904 only
- 4 S/N F172-0019 thru F17200754 only
- 5 S/N F172-0320 thru F172-0559 only
- 6 S/N F172-0320 thru F17200754 only
- 7 S/N F172-0320 thru F17200904 only
- 8 S/N F172-0320 thru F17201514
- 9 S/N F172-0320 and on
- 10 S/N F172-0560 thru F17201234 only
- 11 S/N F172-0560 thru F17201384 only
- 12 S/N F172-0560 and on
- 13 S/N F17200755 thru F17200904
- 14 S/N F17200755 thru F17201514
- 15 S/N F17200755 and on
- 16 S/N F17200905 and on
- 17 S/N F17201385 thru F17202208 only
- 18 S/N F17201385 and on
- 19 For kits including LH and RH see page below.

175, 175A, B, C
S/N 55001 thru 17557119

Description	Idx	Part Number
Cap, Rudder Top	P	SA-0531006-34
Cap, Vertical Fin	O	SA-0531001-36
No Beacon Base		SA-0531006-33
Cap, Vertical Fin 3 1/2" Beacon Base	O	SA-0531004-3

Fairing, Strut To Fuslg, LH	I	118-4-7	A
		28-07-LFS	2 T
		K0522150-1	2 T
		SA-0522150-1	5 S

Fairing, Strut To Fuslg, RH	I	118-4-6	A
		28-07-RFS	2 T
		K0522150-2	2 T
		SA-0522150-2	5 S

Fairing, Strut To Wing, LH	H	118-4-5	A
		28-06-LWS	2 T
		K0522150-3	2 T
		SA-0522150-3	5 S

Fairing, Strut To Wing, RH	H	118-4-4	A
		28-06-RWS	2 T
		K0522150-4	2 T
		SA-0522150-4	5 S

Tip, Elevator, LH or RH	T	K0532001-62	3 K
		SA-0532001-62	3 S

Tip, Rudder Butt	Q	28-21-80A	4 T
		K0531104	1 K
		SA-0531104	1 S
		SA-0531006-35	4 S

Tip, Horiz. Stab., LH or RH	R	K0532001-61	4 K
		SA-0532001-61	4 S

Tip, Wing, Conical, LH	A	SA-0523565-29	8 9 S
Tip, Wing, Conical, RH	A	SA-0523565-30	8 9 S

Tip, Wing, Hoerner Style	A	11004 (set of two)	K
--------------------------	---	--------------------	---

Tip, Wing, Sym., LH or RH	A	K0723615-200	K
		SA-0723615-200	S

Wing Pos., Light Shield, LH	A	219-4-5	6 A
Wing Pos., Light Shield, RH	A	219-4-6	6 A

- 1 S/N 55001 thru 56238 only
- 2 S/N 56025 and on
- 3 S/N 56239 thru 17557064 only
- 4 S/N 56239 and on

5 Also available as a FAA-PMA/STC approved split Fairing for easy installation and removal; add an "SP" suffix to the P/N.

6 For wings with a conical wing tip

7

8 For kits including LH and RH see page below.

9 Add "LL-14V or LL-28V" suffix for FAA-PMA/STC wing tips including Quasar LED landing/taxi lights and optimized to accept LED nav/strobe lights. Must purchase as a LH and RH kit. See page below.
Add "LED" suffix for FAA-PMA/STC wing tips optimized to accept LED nav/strobe lights.

177, 177A, B, 177RG, F177RG

S/N 17700001 thru 17702752
S/N 177RG0001 thru 177RG1366
S/N F177RG0001 thru F177RG0177

Description	Idx	Part Number
Cap, Rudder Top	P	K1733009-2
Cap, Vertical Fin	O	SA-1733009-2
		SA-1731009-4
Fairing, Brake, LH	K	K1731009-4
		SA-0741634-13
Fairing, Brake, RH	K	SA-1741027-1
		SA-0741634-14
Fairing, Landing Gear, LH	J	SA-1741005-43
		SA-1741005-44
Fairing, Main Wheel, LH (Wheel Pant)	B	GF0541223-01
		K0741046-203
Fairing, Main Wheel, RH (Wheel Pant)	B	SA-0541203-1
		GF0541223-02
Fairing, Nose Wheel	C	K0741046-202
		SA-0541203-2
Tip, Horiz. Stab., LH or RH	R	20-40N-80A
		GF0543079-00
Tip, Wing, LH	A	K0743625-14
		SA-0543065-1
Tip, Wing, RH	A	GF1732024-1-791
		SA-1732024-1
Tip, Wing, LH	A	GF1723005-11
		SA-1723000-201
Tip, Wing, RH	A	SA-1723005-11
		GF1723005-12
Tip, Wing, RH	A	SA-1723000-200
		SA-1723005-12

Eligibility continues in next column

Continued from previous column

- 1 Model 177, 177A S/N 17700001 thru 17701370 only
- 2 Model 177B, S/N 17701371 thru 17702123 only
- 3 Model 177B S/N 17701371 and on
- 4 Model 177B S/N 17702124 and on
- 5 Model 177, 177A, B only
- 6 Model 177, 177A, B and 177RG only
- 7 Model 177B and 177RG only
- 8 Model 177B, 177RG and F177RG

Kits available for 170, 172, 175 and 177 aircraft

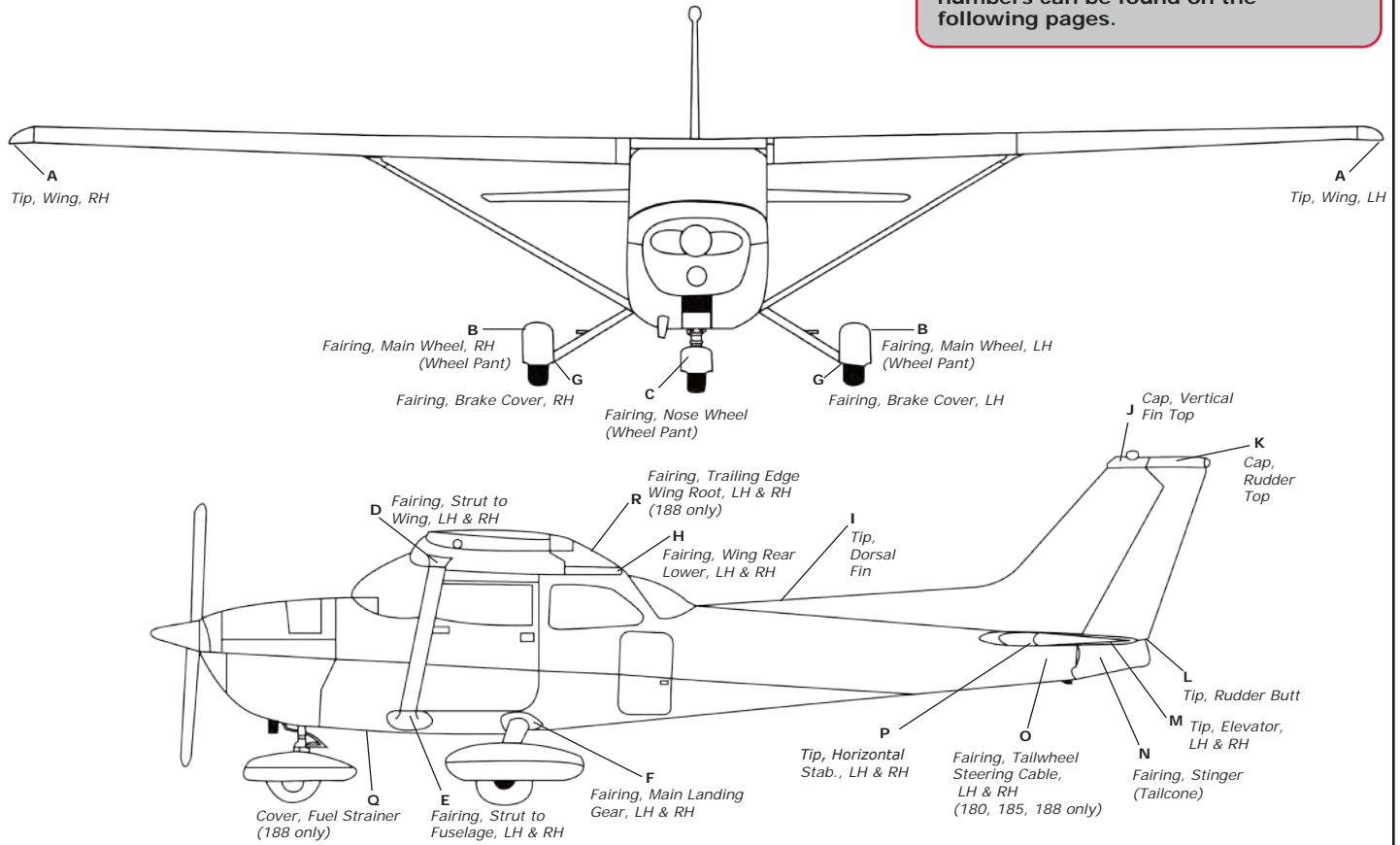
Kit P/N	Kit Description	Part Number	Item Description
118-12	Strut Fairing Kit, Fiberglass	118-4-7	Fairing, Strut To Fuselage, LH
		118-4-6	Fairing, Strut To Fuselage, RH
		118-4-5	Fairing, Strut To Wing, LH
		118-4-4	Fairing, Strut To Wing, RH
118-32	Strut Fairing Kit, Fiberglass	118-4-7	Fairing, Strut To Fuselage, LH
		118-4-6	Fairing, Strut To Fuselage, RH
		118-4-15	Fairing, Strut To Wing, LH
		118-4-14	Fairing, Strut To Wing, RH
28-05-80A	Landing Gear Fairing Kit	28-05-LGF	Fairing, Landing Gear, LH
		28-05-RGF	Fairing, Landing Gear, RH
28-06-80A	Strut Fairing Kit, Plastic	28-07-LFS	Fairing, Strut To Fuselage, LH
		28-07-RFS	Fairing, Strut To Fuselage, RH
		28-06-LWS	Fairing, Strut To Wing, LH
		28-06-RWS	Fairing, Strut To Wing, RH
28-07-80A	Strut Fairing Kit, Plastic	28-07-LFS	Fairing, Strut To Fuselage, LH
		28-07-RFS	Fairing, Strut To Fuselage, RH
		28-07-LWS	Fairing, Strut To Wing, LH
		28-07-RWS	Fairing, Strut To Wing, RH
28-08-80A	Brake Cover Fairing Kit	28-08-LBC	Fairing, Brake Cover, LH
		28-08-RBC	Fairing, Brake Cover, RH
KPS03	Split Strut Fairing Kit, Plastic	K0522150-1	Fairing, Strut to Fuselage, LH
		K0522150-2	Fairing, Strut to Fuselage, RH
		K0522150-3	Fairing, Strut to Wing, LH
		K0522150-4	Fairing, Strut to Wing, RH
SA-0522150-3412	Strut Fairing Kit, Fiberglass For FAA-PMA/STC split Fairings add an "SP" suffix to the kit P/N.	SA-0522150-1	Fairing, Strut to Fuselage, LH
		SA-0522150-2	Fairing, Strut to Fuselage, RH
		SA-0522150-3	Fairing, Strut to Wing, LH
		SA-0522150-4	Fairing, Strut to Wing, RH
SA-0523047-1212	Strut Fairing Kit, Fiberglass For FAA-PMA/STC split Fairings add an "SP" suffix to the kit P/N.	SA-0522150-1	Fairing, Strut to Fuselage, LH
		SA-0522150-2	Fairing, Strut to Fuselage, RH
		SA-0523047-1	Fairing, Strut to Wing, LH
		SA-0523047-2	Fairing, Strut to Wing, RH
SA-0523565-2930	Wing Tips 1 2	SA-0523565-29	Tip, Wing, Conical, LH
		SA-0523565-30	Tip, Wing, Conical, RH
SA-0723200-56	Wing Tips 1 2	SA-0723200-5	Tip, Wing, Conical, LH
		SA-0723200-6	Tip, Wing, Conical, RH

- 1 Add "LL-14V (14 Volt Installation) or LL-28V (28 Volt Installation)" suffix for FAA-PMA/STC wing tips including Quasar LED landing/taxi lights and optimized to accept LED nav/strobe lights. Installation kit including all hardware required for installation of Quasar LED lighted wing tips is included. Kits include shielded wire, all connectors, switches and breaker.
- 2 Add "LED" suffix for FAA-PMA/STC wing tips optimized to accept LED nav/strobe lights.

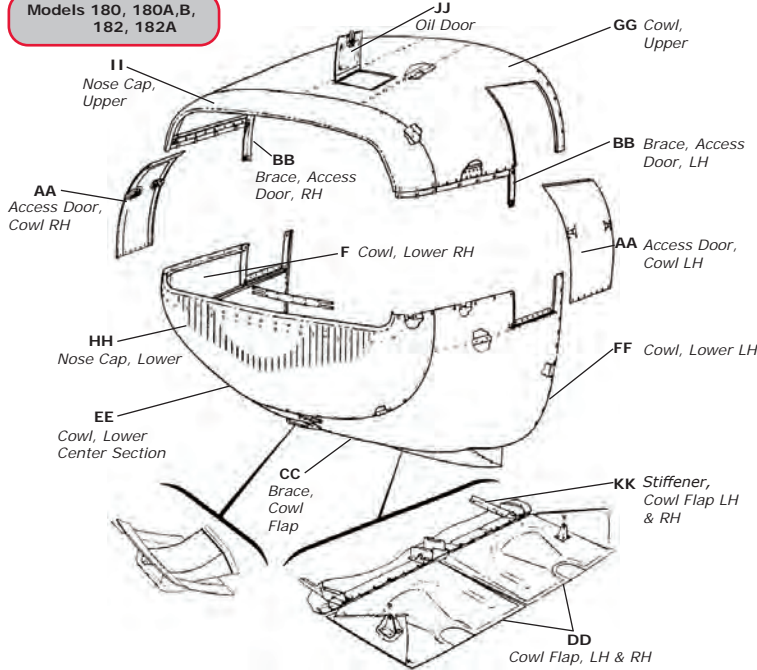
Improve the appearance and performance of your aircraft!
Strut and landing gear fairings, tail surface fairings, wing tips, and cowling fairings for Cessna 180-188 series aircraft available in ABS plastic and fiberglass.

Eligibility tables for Cessna 180, 182, 185 and 188 aircraft with item descriptions, index reference and part numbers can be found on the following pages.

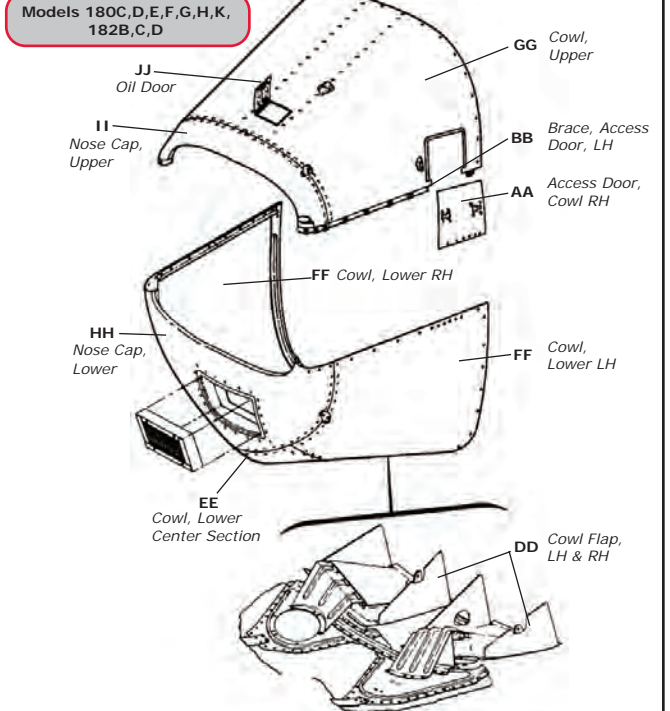
Exterior Plastic/Fiberglass Trim and Fairings



Models 180, 180A,B, 182, 182A



Models 180C,D,E,F,G,H,K, 182B,C,D



Cessna 180, 182, 185 and 188 Series Aircraft

180, 180A,B,C,D,E,F,G,H,J,K S/N 30000 thru 18053203		
Description	Idx	Part Number
Access Door, Cowl LH	AA	SC180701-1 SC180703-1 SC180704-1
Access Door, Cowl RH	AA	SC180702-1
Brace Access Door, LH	BB	SC180900-1
Brace Access Door, RH	BB	SC180900-2
Brace, Cowl Flap	CC	SC180901-2
Cap, Vertical Fin No Beacon Base	J	SA-0731000-200
Cap, Vertical Fin 2 1/4" Beacon Base	J	SA-0731019-1 SA-0731019-2
Cap, Vertical Fin 3 1/2" Beacon Base	J	SA-0700031-2
Cowl Flap, LH	DD	SC180804-1
Cowl Flap, RH	DD	SC180805-1
Cowl Flap, LH Exhst Cutout	DD	SC180800-1 SC180802-1 SC180801-1 SC180803-1
Cowl Flap, RH Exhst Cutout	DD	SC180801-1 SC180803-1
Cowl, Lower Center Section	EE	SC180501-1 SC180502-1 SC180504-1 SC180505-1
Cowl, Lower Left (Camloc)	FF	SC180405-1
Cowl, Lower Left (Screws)	FF	SC180401-1 SC180403-1
Cowl, Lower Right (Camloc)	FF	SC180406-1
Cowl, Lower Right (Screws)	FF	SC180402-1 SC180404-1
Cowl, Upper	GG	SC180200-1 SC180201-1 SC180202-1 SC180203-1 SC180204-1
Fairing, Brake Cover, LH	G	SA-0741059-1
Fairing, Brake Cover, RH	G	SA-0741059-2
Fairing, Main Wheel, LH (Wheel Pant)	B	SA-0741070-1
Fairing, Main Wheel, RH (Wheel Pant)	B	SA-0741070-2
Fairing, Stinger (Tailcone)	N	SA-0712400-9
Fairing, Strut To Fuslg, LH	E	118-4-11 180-LFS-T K0723605-1 SA-0723605-1
Fairing, Strut To Fuslg, RH	E	118-4-10 180-RFS-T K0723605-2 SA-0723605-2
Fairing, Strut To Wing, LH	D	118-4-9 180-LWS K0723605-3 SA-0723605-3
Fairing, Strut To Wing, RH	D	118-4-8 180-RWS K0723605-4 SA-0723605-4
Fairing, Tailwhl Strg Cbl LH	O	SA-0712309-9
Fairing, Tailwhl Strg Cbl RH	O	SA-0712309-10
Nose Cap, Lower (Camloc Air Filter)	HH	SC180604-1 SC180605-1
Nose Cap, Lower (Camloc Landing Light)	HH	SC180606-1
Nose Cap, Lower (Screws)	HH	SC180601-1 SC180602-1
Nose Cap, Lower (Screws Air Filter)	HH	SC180603-1
Nose Cap, Upper	II	SC180301-1 SC180302-1 SC180303-1 SC180304-1 SC180305-1
Oil Door	JJ	SC180752-1 WAC752000
Stiffener, Cowl Flap LH	KK	SC180900-3
Stiffener, Cowl Flap RH	KK	SC180900-4
Tip, Horiz. Stab., LH or RH	P	31-11 SA-0732613-1
Tip, Wing, LH	A	20-51L-80A 20-52L-80A GF0723200-5 SA-0723200-5

Continued from previous column		
Description	Idx	Part Number
Tip, Wing, RH	A	20-51R-80A 20-52R-80A GF0723200-6 SA-0723200-6
Tip, Wing, Conical, LH	A	GF0523565-29791 SA-0523565-29
Tip, Wing, Conical, RH	A	GF0523565-30791 SA-0523565-30
Tip, Wing, Hoerner Style	A	11004 (set of two)
Tip, Wing, Sym., LH or RH	A	K0723615-200 SA-0723615-200
Wing Pos., Light Shield, LH	A	219-4-5 219-4-7
Wing Pos., Light Shield, RH	A	219-4-6 219-4-8
<p>1 S/N 30000 thru 32261 only 2 S/N 30000 thru 50661 only 3 S/N 30000 thru 18051445 only 4 S/N 30000 thru 18051774 only 5 S/N 30000 thru 18052284 only 6 S/N 30000 thru 18052384 only 7 S/N 32662 thru 50661 only 8 S/N 50386 and on 9 S/N 50662 thru 50911 only 10 S/N 50662 thru 18051183 only 11 S/N 50662 thru 18051445 only 12 S/N 50662 and on 13 S/N 18050912 thru 18051445 14 S/N 18050912 thru 18052284 15 S/N 18050912 and on 16 S/N 18051184 thru 18052770 only 17 S/N 18051184 and on 18 S/N 18051446 thru 18052284 only 19 S/N 18051446 thru 18052989 only 20 S/N 18051446 and on 21 S/N 18052176 thru 18052284 only 22 S/N 18052285 and on 23 S/N 18052385 and on 24 S/N 18052771 and on 25 S/N 30000 thru 32261 that have been modified with the Kenmore gross weight increase and have the large vertical Fin. 26 Also available as a FAA-PMA/STC approved split Fairing for easy installation and removal; add an "SP" suffix to the P/N. 27 P/N WAC752000 is an aluminum oil door manufactured by McFarlane Aviation Products. 28 For wings with a conical wing tip 29 For a wing with STOL leading edge radius 30 For kits including LH and RH, see page 290. 31 Add "LL-14V or LL-28V" suffix for FAA-PMA/STC wing tips including Quasar LED landing/taxi lights and optimized to accept LED nav/strobe lights. Must purchase as a LH and RH kit. See page 290. Add "LED" suffix for FAA-PMA/STC wing tips optimized to accept LED nav/strobe lights.</p>		
182, 182A,B,C,D,E,F,G,H,J,K,L,M,N S/N 33000 thru 18260825		
Description	Idx	Part Number
Access Door, Cowl LH	AA	SC180701-1 SC180703-1
Access Door, Cowl RH	AA	SC180702-1
Brace Access Door, LH	BB	SC180900-1
Brace Access Door, RH	BB	SC180900-2
Cap, Rudder Top	K	GF0731606-04 GF0731606-01 SA-0731606-6 SA-1231001-2
Cap, Vertical Fin No Beacon Base	J	GF0731606-03 K0731606-1 SA-0731606-1 SA-0731000-200
Cap, Vertical Fin Small Beacon Base	J	K0731606-3
Cap, Vertical Fin 2 1/4" Beacon Base	J	SA-0731019-1 SA-0731606-3
Cap, Vertical Fin 3 1/2" Beacon Base	J	SA-0700031-2 SA-1200039-2
Cowl Flap, LH	DD	SC180804-1
Cowl Flap, RH	DD	SC180805-1
Cowl, Lower Center Section	EE	SC180502-1 SC180504-1
Cowl, Lower Left (Camloc)	FF	SC180405-1
Cowl, Lower Left (Screws)	FF	SC180403-1
Cowl, Lower Left (Screws, No Cowl Flap)	FF	SC180401-2

Continued from previous column		
Description	Idx	Part Number
Cowl, Lower Right (Camloc)	FF	SC180406-1
Cowl, Lower Right (Screws)	FF	SC180404-1
Cowl, Lower Right (Screws, No Cowl Flap)	FF	SC180402-2
Cowl, Upper	GG	SC180200-1 SC180201-1 SC180202-1
Fairing, Main Wheel, LH (Wheel Pant)	B	K0741046-203 SA-0541203-1
Fairing, Main Wheel, RH (Wheel Pant)	B	K0741046-202 SA-0541203-2
Fairing, Nose Wheel	C	K0743625-14 SA-0543065-1
Fairing, Stinger (Tailcone)	N	K1212010-19 SA-1212010-15 118-4-11 118-4-17 182-LFS K0723612-3 SA-0723605-1 SA-0723612-3
Fairing, Strut To Fuslg, LH	E	118-4-10 180-LWS K0723605-3 SA-0723605-3
Fairing, Strut To Fuslg, RH	E	118-4-16 182-RFS K0723612-4 SA-0723605-2 SA-0723612-4
Fairing, Strut To Wing, LH	D	118-4-9 180-LWS K0723605-3 SA-0723605-3
Fairing, Strut To Wing, RH	D	118-4-8 180-RWS K0723605-4 SA-0723605-4
Nose Cap, Lower (Camloc Air Filter)	HH	SC180604-1
Nose Cap, Lower (Screws)	HH	SC180602-1
Nose Cap, Lower (Screws Air Filter)	HH	SC180603-1
Nose Cap, Upper	II	SC180302-1 SC180303-1 SC180304-1
Oil Door (Aluminum)	JJ	WAC752000 31-10 LEFT GF1234608-01 SA-1234608-3
Tip, Elevator, LH	M	31-10 RIGHT GF1234608-02 SA-1234608-4
Tip, Elevator, RH	M	31-11 31-09
Tip, Horiz. Stab., LH or RH	P	SA-0732613-1 GF1232604-1 SA-1232604-1
Tip, Wing, LH	A	20-51L-80A
Tip, Wing, RH	A	20-51R-80A
Tip, Wing, Conical, LH	A	GF0523565-29791 SA-0523565-29
Tip, Wing, Conical, RH	A	GF0523565-30791 SA-0523565-30
Tip, Wing, Hoerner Style	A	11004 (set of two)
Tip, Wing, Sym., LH or RH	A	K0723615-200 SA-0723615-200
Wing Pos., Light Shield, LH	A	219-4-5
Wing Pos., Light Shield, RH	A	219-4-6

Eligibility continues in next column Eligibility continues in next column Eligibility continues on next page

Manufacturer/Material: **A** Aircraft Development/Fiberglass, **K** Knots 2U/Fiberglass, **S** Stene Aviation/Fiberglass, **T** Texas Aeroplastics/ABS Plastic Parts

Exterior Plastic/Fiberglass Trim and Fairings

Cessna 180, 182, 185 and 188 Series Aircraft

Exterior Plastic/Fiberglass Trim and Fairings

Continued from previous page

- 1 S/N 33000 thru 51556 only
- 2 S/N 33000 thru 52358 only
- 3 S/N 33000 thru 18253598 only
- 4 S/N 33000 thru 18255844 only
- 5 S/N 33000 thru 18259305 only
- 6 S/N 33000 thru 18260055 only
- 7 S/N 51557 thru 53007 only
- 8 S/N 51557 thru 18253598 only
- 9 S/N 51557 and on
- 10 S/N 52359 thru 18257625 only
- 11 S/N 18253008 thru 18253598 only
- 12 S/N 18253599 thru 18257625 only
- 13 S/N 18253599 and on
- 14 S/N 18255845 and on
- 15 S/N 18257626 thru 18260445 only
- 16 S/N 18257626 and on
- 17 S/N 18258686 and on
- 18 S/N 18260056 thru 18260825 only
- 19 S/N 18260446 thru 18260825 only
- 20 Also available as a FAA-PMA/STC approved split Fairing for easy install & removal; add "SP" suffix to the P/N.
- 21 For wings with a conical wing tip
- 22 For kits including LH and RH, see page 290.
- 23 Add "LL-14V or LL-28V" suffix for FAA-PMA/STC wing tips including Quasar LED landing/taxi lights and optimized to accept LED nav/strobe lights. Must purchase as a LH and RH kit. See page 290.
- 24 Add "LED" suffix for FAA-PMA/STC wing tips optimized to accept LED nav/strobe lights.

182P,Q,R, T182

S/N 18260826 thru 18268586

Description	Idx	Part Number
Cap, Rudder Top	K	GF0731606-04 7 K
		GF0731606-01 3 K
		SA-0731606-6 2 S
Cap, Vertical Fin No Beacon Base	J	GF0731606-03 10 K
		K0731606-1 3 K
		SA-0731606-1 3 S
Cap, Vertical Fin Small Beacon Base	J	K0731606-3 3 K
		K1231064 10 K
		SA-0731606-3 1 S
Cap, Vertical Fin 2 1/4" Beacon Base	J	SA-1231059-1 6 S
		SA-1231064-1 10 S
		31-07-LBC 2 T
Fairing, Brake Cover, LH	G	31-08-LBC 8 T
		K0741641-19 9 K
		SA-0741634-11 8 S
		SA-0741634-17 2 S
		SA-0741634-15 12 S
		31-07-RBC 2 T
Fairing, Brake Cover, RH	G	31-08-RBC 8 T
		K0741641-18 9 K
		SA-0741634-10 8 S
		SA-0741634-18 2 S
		SA-0741641-14 12 S
		31-08-RBC 8 T
Fairing, Gear Leg, LH	F	244-4-1 3 A
		SA-1741005-201 4 S
Fairing, Gear Leg, RH	F	244-4-2 3 A
		SA-1741005-200 4 S
Fairing Land. Gear Strut LH	F	244-4-7 10 A
		31-03-LGF 10 T
Fairing Land. Gear Strut RH	F	SA-0741052-201 10 S
		244-4-8 10 A
Fairing, Main Wheel, LH (Wheel Pant)	B	31-03-RGF 10 T
		SA-0741052-200 10 S
Fairing, Main Wheel, RH (Wheel Pant)	B	GF0541223-01 9 K
		SA-0541223-17 9 S
Fairing, Nose Wheel	C	GF0541223-02 9 K
		SA-0541223-16 9 S
Fairing, Stinger (Tailcone)	N	20-40N-80A T
		GF0543079-00 9 K
Fairing, Strut To Fuslg, LH	E	SA-0543079-3 9 S
		K1212010-19 K
Fairing, Strut To Fuslg, RH	E	SA-1212010-15 K
		118-4-17 A
Fairing, Strut To Wing, LH	D	182-LFS T
		K0723612-3 T
Fairing, Strut To Wing, RH	E	SA-0723612-3 13 S
		118-4-16 A
Fairing, Strut To Wing, LH	D	180-LWS T
		K0723605-3 T
Fairing, Strut To Wing, RH	E	SA-0723605-3 13 S
		118-4-9 A

Eligibility continues in next column

Continued from previous column

Description	Idx	Part Number
Fairing, Strut To Wing, RH	D	118-4-8 A
		180-RWS T
		K0723605-4 1 T
		SA-0723605-4 13 S
Tip, Dorsal Fin	I	31-12 7 T
Tip, Elevator, LH	M	31-10 LEFT T
		GF1234608-01 K
		SA-1234608-3 1 T
Tip, Elevator, RH	M	31-10 RIGHT T
		GF1234608-02 K
		SA-1234608-4 1 T
Tip, Horiz. Stab., LH or RH	P	31-09 5 T
		GF1232604-1 5 K
		GF1232604-2 11 K
Tip, Wing, LH	A	SA-1232604-1 5 S
		20-52L-80A T
		GF0723200-5 K
Tip, Wing, RH	A	SA-0723200-5 19 10 S
		20-52R-80A T
		GF0723200-6 K
Wing Pos., Light Shield, LH	A	219-4-7 14 A
Wing Pos., Light Shield, RH	A	219-4-8 14 A
182S,T, T182T	A	S/N 18260826 thru 18261425 only
		S/N 18260826 thru 18263475 only
		S/N 18260826 thru 18264295 only
		S/N 18260826 thru 18265175 only
		S/N 18260826 thru 18267300 only
		S/N 18261426 thru 18264295 only
Cap, Rudder Top	K	S/N 18262466 and on
		S/N 18263476 thru 18265590 only
		S/N 18263476 and on
Cap, Vertical Fin No Beacon Base	J	S/N 18264296 and on
		S/N 18267301 and on
		S/N 18265176 and on
Fairing, Brake Cover, LH	G	Also available as a FAA-PMA/STC approved split Fairing for easy installation and removal; add an "SP" suffix to the P/N.
		For a wing with STOL leading edge radius
		For kits including LH and RH, see page 290.
Fairing, Brake Cover, RH	G	Add "LL-14V or LL-28V" suffix for FAA-PMA/STC wing tips including Quasar LED landing/taxi lights and optimized to accept LED nav/strobe lights. Must purchase as a LH and RH kit. See page 290.
		Add "LED" suffix for FAA-PMA/STC wing tips optimized to accept LED nav/strobe lights.
		182S,T, T182T
Fairing, Main Wheel, LH (Wheel Pant)	B	S/N 18280001 thru 18299999 and
		S/N T18208001 thru T18299999
Fairing, Main Wheel, RH (Wheel Pant)	B	S/N 18280001 thru 18299999 and
		S/N T18208001 thru T18299999
Fairing, Nose Wheel	C	S/N 18280001 thru 18299999 and
		S/N T18208001 thru T18299999
Fairing, Stinger (Tailcone)	N	S/N 18280001 thru 18299999 and
		S/N T18208001 thru T18299999
Fairing, Strut To Fuslg, LH	E	S/N 18280001 thru 18299999 and
		S/N T18208001 thru T18299999
Fairing, Strut To Fuslg, RH	E	S/N 18280001 thru 18299999 and
		S/N T18208001 thru T18299999
Fairing, Strut To Wing, LH	D	S/N 18280001 thru 18299999 and
		S/N T18208001 thru T18299999
Fairing, Strut To Wing, RH	E	S/N 18280001 thru 18299999 and
		S/N T18208001 thru T18299999

Eligibility continues in next column

Continued from previous column

Description	Idx	Part Number
Fairing, Strut To Fuslg, RH	E	118-4-16 1 A
		182-RFS T
		K0723612-4 1 T
		SA-0720702-10 2 S
Fairing, Strut To Wing, LH	D	SA-0723612-4 13 S
		118-4-9 1 A
		180-LWS T
Fairing, Strut To Wing, RH	D	K0723605-3 1 T
		SA-0720702-1 2 S
		SA-0723605-3 13 S
Tip, Elevator, LH	M	118-4-8 1 A
		180-RWS T
		K0723605-4 1 T
Tip, Elevator, RH	M	SA-0723605-4 13 S
		118-4-9 1 A
		180-LWS T
Tip, Horiz. Stab., LH or RH	P	K0723605-4 1 T
		SA-0720702-2 2 S
		SA-0723605-4 13 S
Tip, Wing, LH	A	GF1234608-01 1 K
		SA-1234608-3 1 T
		GF1234608-02 1 K
Tip, Wing, RH	A	SA-1234608-4 1 T
		20-52L-80A T
		GF0723200-5 K
Wing Pos., Light Shield, LH	A	219-4-7 14 A
Wing Pos., Light Shield, RH	A	219-4-8 14 A
182S,T, T182T	A	S/N 18280001 thru 18299999 and
		S/N T18208001 thru T18299999
		S/N 18280001 thru 18299999 and
Cap, Rudder Top	K	S/N T18208001 thru T18299999
		S/N 18280001 thru 18299999 and
		S/N T18208001 thru T18299999
Cap, Vertical Fin No Beacon Base	J	S/N 18280001 thru 18299999 and
		S/N T18208001 thru T18299999
		S/N 18280001 thru 18299999 and
Cap, Vertical Fin Small Beacon Base	J	S/N T18208001 thru T18299999
		S/N 18280001 thru 18299999 and
		S/N T18208001 thru T18299999
Cap, Vertical Fin 2 1/4" Beacon Base	J	S/N 18280001 thru 18299999 and
		S/N T18208001 thru T18299999
		S/N 18280001 thru 18299999 and
Fairing, Brake Cover, LH	G	S/N T18208001 thru T18299999
		S/N 18280001 thru 18299999 and
		S/N T18208001 thru T18299999
Fairing, Brake Cover, RH	G	S/N 18280001 thru 18299999 and
		S/N T18208001 thru T18299999
		S/N 18280001 thru 18299999 and
Fairing, Gear Leg, LH	F	S/N T18208001 thru T18299999
		S/N 18280001 thru 18299999 and
		S/N T18208001 thru T18299999
Fairing, Gear Leg, RH	F	S/N T18208001 thru T18299999
		S/N 18280001 thru 18299999 and
		S/N T18208001 thru T18299999
Fairing Land. Gear Strut LH	F	S/N 18280001 thru 18299999 and
		S/N T18208001 thru T18299999
		S/N 18280001 thru 18299999 and
Fairing Land. Gear Strut RH	F	S/N T18208001 thru T18299999
		S/N 18280001 thru 18299999 and
		S/N T18208001 thru T18299999
Fairing, Main Wheel, LH (Wheel Pant)	B	S/N 18280001 thru 18299999 and
		S/N T18208001 thru T18299999
		S/N 18280001 thru 18299999 and
Fairing, Main Wheel, RH (Wheel Pant)	B	S/N T18208001 thru T18299999
		S/N 18280001 thru 18299999 and
		S/N T18208001 thru T18299999
Fairing, Nose Wheel	C	S/N 18280001 thru 18299999 and
		S/N T18208001 thru T18299999
		S/N 18280001 thru 18299999 and
Fairing, Stinger (Tailcone)	N	S/N T18208001 thru T18299999
		S/N 18280001 thru 18299999 and
		S/N T18208001 thru T18299999
Fairing, Strut To Fuslg, LH	E	S/N 18280001 thru 18299999 and
		S/N T18208001 thru T18299999
		S/N 18280001 thru 18299999 and
Fairing, Strut To Fuslg, RH	E	S/N T18208001 thru T18299999
		S/N 18280001 thru 18299999 and
		S/N T18208001 thru T18299999
Fairing, Strut To Wing, LH	D	S/N 18280001 thru 18299999 and
		S/N T18208001 thru T18299999
		S/N 18280001 thru 18299999 and
Fairing, Strut To Wing, RH	E	S/N T18208001 thru T18299999
		S/N 18280001 thru 18299999 and
		S/N T18208001 thru T18299999

Eligibility continues on next page

Cessna 180, 182, 185 and 188 Series Aircraft

Continued from previous page

Description	Idx	Part Number
Fairing, Strut To Wing, LH	D	118-4-9 8 A
		180-LWS 1 T
		K0723605-3 7 T
		SA-0720702-1 8 S
		SA-0723605-3 7 9 S
Fairing, Strut To Wing, RH	D	118-4-8 8 A
		180-RWS 1 T
		K0723605-4 7 T
		SA-0720702-2 8 S
		SA-0723605-4 7 9 S
Tip, Elevator, LH	M	GF1234608-01 6 K
		SA-1234608-3 7 S
Tip, Elevator, RH	M	GF1234608-02 6 K
		SA-1234608-4 7 S
Tip, Horiz. Stab., LH or RH	P	GF1232604-1 2 K
		GF1232604-2 3 K
Tip, Wing, LH	A	20-52L-80A 7 T
		GF0723200-5 8 K
		SA-0723200-5 7 12 13 S
		20-52R-80A 7 T
Tip, Wing, RH	A	GF0723200-6 8 K
		SA-0723200-6 7 12 13 S
		20-52R-80A 7 T
Tip, Wing, Sym., LH or RH	A	K0723615-200 1 K
Wing Pos., Light Shield, LH	A	219-4-7 8 11 A
Wing Pos., Light Shield, RH	A	219-4-8 8 11 A
<p>1 S/N A182-0001 thru A182-0116 only 2 S/N 18200001 thru 18201313 only 3 S/Ns 18201314 and on and FR18200046 thru FR18200070 4 Models F182P,Q only 5 Models F182P,Q, FR182 and R182 only 6 Models F182P,Q, FR182, R182 and TR182 only 7 Models F182P,Q, R182 and TR182 only 8 Models R182 and TR182 only 9 Also available as a FAA-PMA/STC approved split Fairing for easy installation and removal; add an "SP" suffix to the P/N. 10 Models A182K,L,N only 11 For a wing with STOL leading edge radius 12 For kits including LH and RH, see page 290. 13 Add "LL-14V or LL-28V" suffix for FAA-PMA/STC wing tips including Quasar LED landing/taxi lights and optimized to accept LED nav/strobe lights. Must purchase as a LH and RH kit. See page 290. Add "LED" suffix for FAA-PMA/STC wing tips optimized to accept LED nav/strobe lights.</p>		
<p>185, 185A, B, C, D, E, A185E, F S/N 185-0001 thru 18504448</p>		
Description	Idx	Part Number
Cap, Vertical Fin No Beacon Base	J	SA-0742025-1 8 S
Cap, Vertical Fin 2 ¼" Beacon Base	J	SA-0731019-2 5 S
Cap, Vertical Fin 3 ½" Beacon Base	J	SA-0731015-1 5 S
Fairing, Brake Cover, LH	G	SA-0741059-1 5 S
Fairing, Brake Cover, RH	G	SA-0741059-2 5 S
Fairing, Main Wheel, LH (Wheel Pant)	B	SA-0741070-1 8 S
Fairing, Main Wheel, RH (Wheel Pant)	B	SA-0741070-2 8 S
Fairing, Stinger (Tailcone)	N	SA-0712400-9 5 S
Fairing, Strut To Fuslg, LH	E	180-LFS-T 5 T
		SA-0723605-1 1 S
		SA-1227002-3SP 9 S
Fairing, Strut To Fuslg, RH	E	180-RFS-T 5 T
		SA-0723605-2 1 S
		SA-1227002-2SP 9 S
Fairing, Strut To Wing, LH	D	180-LWS 1 T
		SA-0723605-3 1 S
		SA-1227002-11SP 9 S
Fairing, Strut To Wing, RH	D	180-RWS 1 T
		SA-0723605-4 1 S
		SA-1227002-10SP 9 S
Fairing, Tailwheel Strg Cbl LH	O	SA-0712309-9 5 S
Fairing, Tailwheel Strg Cbl RH	O	SA-0712309-10 5 S
Tip, Horiz. Stab., LH or RH	P	SA-0732613-3 5 S
Tip, Wing, LH	A	20-51L-80A 6 T
		20-52L-80A 8 T
		GF0723200-5 8 K
		SA-0723200-5 8 12 13 S

Continued from previous column

Description	Idx	Part Number
Tip, Wing, RH	A	20-51R-80A 6 T
		20-52R-80A 8 T
		GF0723200-6 8 K
		SA-0723200-6 8 12 13 S
Tip, Wing, Conical, LH	A	GF0523565-29791 7 K
		SA-0523565-29 7 12 13 S
Tip, Wing, Conical, RH	A	GF0523565-30791 7 K
		SA-0523565-30 7 12 13 S
Tip, Wing, Hoerner Style	A	11004 (set of two) 3 K
Tip, Wing, Sym., LH or RH	A	K0723615-200 3 K
		SA-0723615-200 3 S
Wing Pos., Light Shield, LH	A	219-4-5 4 10 A
Wing Pos., Light Shield, RH	A	219-4-7 8 11 A
		219-4-8 8 11 A
<p>1 S/N 185-0001 thru 185-0237 only 2 S/N 185-0001 thru 185-0967 only 3 S/N 185-0001 thru 185-1149 only 4 S/N 185-0001 thru 185-1599 only 5 S/N 185-0001 thru 18502310 only 6 S/N 185-0968 thru 18502090 only 7 S/N 18501833 thru 18502090 only 8 S/N 18502091 and on 9 FAA-PMA/STC approved split Fairing for easy installation and removal. 10 For wings with a conical wing tip 11 For a wing with STOL leading edge radius 12 For kits including LH and RH, see page 290. 13 Add "LL-14V or LL-28V" suffix for FAA-PMA/STC wing tips including Quasar LED landing/taxi lights and optimized to accept LED nav/strobe lights. Must purchase as a LH and RH kit. See page 290. Add "LED" suffix for FAA-PMA/STC wing tips optimized to accept LED nav/strobe lights.</p>		
<p>188, 188A, B, A188, A188A, B, T188C S/N 188-0001 thru 18803973</p>		
Description	Idx	Part Number
Cover, Fuel Strainer	Q	SA-1616036-1 1 S
Fairing, Gear Leg, LH	F	SA-1621410-7 2 S
		SA-1613420-11 4 S
		SA-1613220-23 3 S
Fairing, Gear Leg, RH	F	SA-1621410-8 2 S
		SA-1613420-12 4 S
		SA-1613220-24 3 S
Fairing, Stinger (Tailcone)	N	SA-0712400-9 5 S
Fairing, Strut Upper, LH	E	SA-1613220-11 4 S
		SA-1620024-1 4 S
Fairing, Strut Upper, RH	E	SA-1613220-12 4 S
		SA-1620024-2 4 S
Fairing, TE Wing Root, LH	R	SA-1600011-1 1 S
Fairing, TE Wing Root, RH	R	SA-1600011-2 1 S
Tip, Wing, LH	A	20-52L-80A 7 T
		SA-0723200-5 5 6 S
Tip, Wing, RH	A	20-52R-80A 7 T
		SA-0723200-6 5 6 S

<p>11 Model T188C not eligible 2 Models 188B and A188B only 3 Models 188A,B and A188A,B only 4 Models 188, 188A, A188, A188A only 5 For kits including LH and RH, see page 290. 6 Add "LL-14V or LL-28V" suffix for FAA-PMA/STC wing tips including Quasar LED landing/taxi lights and optimized to accept LED nav/strobe lights. Must purchase as a LH and RH kit. See page 290. Add "LED" suffix for FAA-PMA/STC wing tips optimized to accept LED nav/strobe lights.</p>		
---	--	--

Eligibility continues in next column

Manufacturer/Material: **A** Aircraft Development/Fiberglass, **K** Knots 2U/Fiberglass, **S** Stene Aviation/Fiberglass, **T** Texas AeroPlastics/ABS Plastic Parts

Exterior Plastic/Fiberglass Trim and Fairings

Cessna 180, 182, 185 and 188 Series Aircraft

Exterior Plastic/Fiberglass Trim and Fairings

Kits available for 180, 182, 185 and 188 aircraft			
Kit P/N	Kit Description	Part Number	Item Description
118-22	Strut Fairing Kit, Fiberglass	118-4-11	Fairing, Strut To Fuselage, LH
		118-4-10	Fairing, Strut To Fuselage, RH
		118-4-9	Fairing, Strut To Wing, LH
		118-4-8	Fairing, Strut To Wing, RH
118-32	Strut Fairing Kit, Fiberglass	118-4-7	Fairing, Strut To Fuselage, LH
		118-4-6	Fairing, Strut To Fuselage, RH
		118-4-15	Fairing, Strut To Wing, LH
		118-4-14	Fairing, Strut To Wing, RH
118-4-42	Strut Fairing Kit, Fiberglass	118-4-17	Fairing, Strut To Fuselage, LH
		118-4-16	Fairing, Strut To Fuselage, RH
		118-4-9	Fairing, Strut To Wing, LH
		118-4-8	Fairing, Strut To Wing, RH
20-51-80A	Conical Wing Tip Kit	20-51L-80A	Tip, Wing, LH
		20-51R-80A	Tip, Wing, RH
20-52-80A	Conical Wing Tip Kit	20-52L-80A	Tip, Wing, LH
		20-52R-80A	Tip, Wing, RH
30-04-80A	Wing Strut Fairing Kit	180-LFS-T	Fairing, Strut To Fuselage, LH
		180-RFS-T	Fairing, Strut To Fuselage, RH
		180-LWS	Fairing, Strut to Wing, LH
		180-RWS	Fairing, Strut to Wing, RH
31-01-80A	Wing Strut Fairing Kit	182-LFS	Fairing, Strut To Fuselage, LH
		182-RFS	Fairing, Strut To Fuselage, RH
		180-LWS	Fairing, Strut to Wing, LH
		180-RWS	Fairing, Strut to Wing, RH
31-03-80A	Landing Gear Fairing Kit	31-03-LGF	Fairing, Land. Gear Strut, LH
		31-03-RGF	Fairing, Land. Gear Strut, RH
31-07-80A	Brake Cover Fairing Kit	31-07-LBC	Fairing, Brake Cover, LH
		31-07-RBC	Fairing, Brake Cover, RH
31-08-80A	Brake Cover Fairing Kit	31-08-LBC	Fairing, Brake Cover, LH
		31-08-RBC	Fairing, Brake Cover, RH
KPS01	Split Strut Fairing Kit, Plastic	K0723612-3	Fairing, Strut to Fuselage, LH
		K0723612-4	Fairing, Strut to Fuselage, RH
		K0723605-3	Fairing, Strut to Wing, LH
		K0723605-4	Fairing, Strut to Wing, RH
KPS02	Split Strut Fairing Kit, Plastic	K0723605-1	Fairing, Strut to Fuselage, LH
		K0723605-2	Fairing, Strut to Fuselage, RH
		K0723605-3	Fairing, Strut to Wing, LH
		K0723605-4	Fairing, Strut to Wing, RH
SA-0523565-2930	Wing Tips 1 2	SA-0523565-29	Tip, Wing, Conical, LH
		SA-0523565-30	Tip, Wing, Conical, RH
SA-0720702-1234	Strut Fairing Kit	SA-0720702-9	Fairing, Strut to Fuselage, LH
		SA-0720702-10	Fairing, Strut to Fuselage, RH
		SA-0720702-1	Fairing, Strut to Wing, LH
		SA-0720702-2	Fairing, Strut to Wing, RH
SA-0723200-56	Wing Tips 1 2	SA-0723200-5	Tip, Wing, Conical, LH
		SA-0723200-6	Tip, Wing, Conical, RH
SA-0723605-1234	Strut Fairing Kit, Fiberglass For FAA-PMA/STC split Fairings add an "SP" suffix to the kit P/N.	SA-0723605-1	Fairing, Strut to Fuselage, LH
		SA-0723605-2	Fairing, Strut to Fuselage, RH
		SA-0723605-3	Fairing, Strut to Wing, LH
		SA-0723605-4	Fairing, Strut to Wing, RH
SA-0723612-3434	Strut Fairing Kit, Fiberglass For FAA-PMA/STC split Fairings add an "SP" suffix to the kit P/N.	SA-0723612-3	Fairing, Strut to Fuselage, LH
		SA-0723612-4	Fairing, Strut to Fuselage, RH
		SA-0723605-3	Fairing, Strut to Wing, LH
		SA-0723605-4	Fairing, Strut to Wing, RH
SA-1227002-1145SP	Split Strut Fairing Kit, Fiberglass	SA-1227002-3SP	Fairing, Strut to Fuselage, LH
		SA-1227002-2SP	Fairing, Strut to Fuselage, RH
		SA-1227002-11SP	Fairing, Strut to Wing, LH
		SA-1227002-10SP	Fairing, Strut to Wing, RH

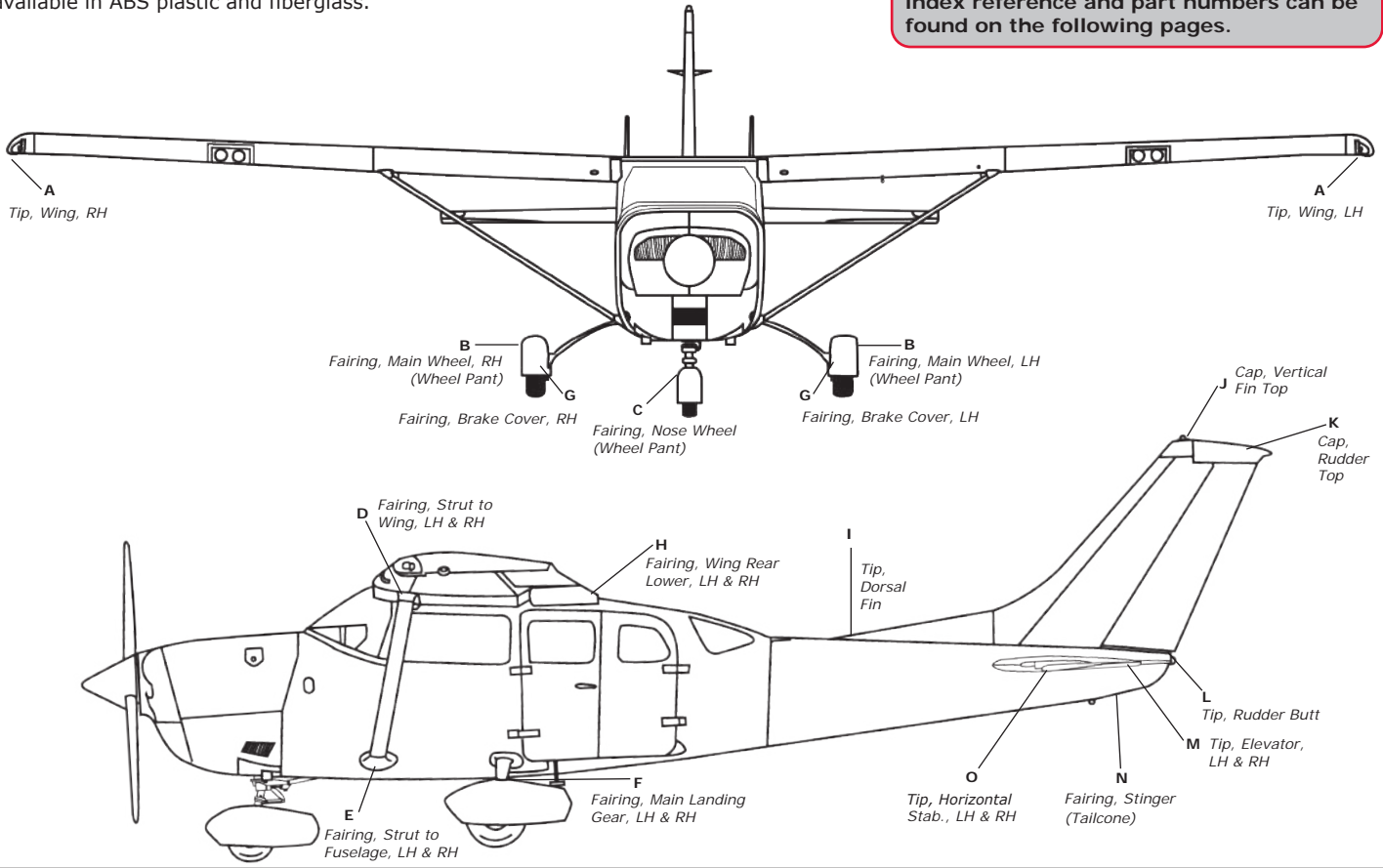
1 Add "LL-14V (14 Volt Installation) or LL-28V (28 Volt Installation)" suffix for FAA-PMA/STC wing tips including Quasar LED landing/taxi lights and optimized to accept LED nav/strobe lights. Installation kit including all hardware required for installation of Quasar LED lighted wing tips is included. Kits include shielded wire, all connectors, switches and breaker.
2 Add "LED" suffix for FAA-PMA/STC wing tips optimized to accept LED nav/strobe lights.

Exterior Plastic and Fiberglass Trim and Fairings Cessna 205, 206, 207 and 210 Series Aircraft

Exterior Plastic/Fiberglass
Trim and Fairings

Improve the appearance and performance of your aircraft!
Strut and landing gear fairings, tail surface fairings, wing tips, and cowlings fairings for Cessna 205, 206, 207 and 210 series aircraft available in ABS plastic and fiberglass.

Eligibility tables for Cessna 205, 206, 207 and 210 aircraft with item descriptions, index reference and part numbers can be found on the following pages.



210-5(205), 210-5A(205A) S/N 205-0001 thru 205-0577		
Description	Idx	Part Number
Cap, Rudder Top	K	GF0731606-04 [K] SA-0731606-10 [S] SA-1231001-2 [S]
Cap, Vertical Fin	J	GF0731606-03 [K]
Fairing, Stinger (Tailcone)	N	SA-1212010-14 [S]
Fairing, Strut To Fuslg, LH	E	SA-1227401-5 [1S]
Fairing, Strut To Fuslg, RH	E	SA-1227401-4 [1S]
Fairing, Strut To Wing, LH	D	118-4-19 [A] SA-1227002-11 [1S]
Fairing, Strut To Wing, RH	D	118-4-18 [A] SA-1227002-10 [1S]
Tip, Horiz. Stab., LH or RH	O	SA-0732613-1 [S]
Tip, Wing, LH	A	SA-1223000-7 [S]
Tip, Wing, RH	A	SA-1223000-8 [S]
Wing Pos., Light Shield, LH	A	219-4-5 [2A]
Wing Pos., Light Shield, RH	A	219-4-6 [2A]
1 Also available as a FAA-PMA/STC approved split Fairing for easy installation and removal; add an "SP" suffix to the P/N. 2 For wings with a conical wing tip 206, TU206A,B,C,D, U206, U206A,B,C,D S/N 206-0001 thru 206-0275, U206-0276 thru U206-1444		
Description	Idx	Part Number
Cap, Rudder Top	K	GF0731606-04 [3K] GF0731606-01 [8K] SA-0731606-6 [6S] SA-1231001-2 [1S] SA-1233736-1 [3S]
Cap, Vertical Fin No Beacon Base	J	K0731606-1 [6K]

Continued from previous column

Description	Idx	Part Number
Cap, Vertical Fin Small Beacon Base	J	K0731606-3 [6K]
Cap, Vertical Fin 2 1/4" Beacon Base	J	SA-0731606-3 [6S]
Fairing, Main Wheel, LH (Wheel Pant)	B	K0741046-203 [8K]
Fairing, Main Wheel, RH (Wheel Pant)	B	K0741046-202 [8K]
Fairing, Nose Wheel	C	K0743625-14 [10K] 118-4-21 [A] SA-1227402-3 [12S]
Fairing, Strut To Fuslg, LH	E	118-4-20 [A] SA-1227402-4 [12S]
Fairing, Strut To Fuslg, RH	E	118-4-19 [A] SA-1227002-11 [12S]
Fairing, Strut To Wing, LH	D	118-4-19 [A] SA-1227002-11 [12S]
Fairing, Strut To Wing, RH	D	118-4-18 [A] SA-1227002-10 [12S]
Fairing, Stinger (Tailcone)	N	GF1212010-00 [K] SA-1212010-14 [S] GF1234608-01 [2K] K1234640-1 [7K] SA-1234608-3 [5S] SA-1234640-1 [7S] GF1234608-02 [2K] K1234640-2 [7K] SA-1234608-4 [5S] SA-1234640-2 [7S]
Tip, Elevator, LH	M	SA-1232604-1 [4K] SA-1232604-1 [5S] SA-1232012-1 [11S] SA-1232616-1 [9S]
Tip, Elevator, RH	M	SA-1232604-1 [4K] SA-1232604-1 [5S] SA-1232012-1 [11S] SA-1232616-1 [9S]
Tip, Horiz. Stab., LH or RH	O	SA-1232604-1 [4K] SA-1232604-1 [5S] SA-1232012-1 [11S] SA-1232616-1 [9S]
Tip, Wing, LH	A	SA-1223000-7 [S]
Tip, Wing, RH	A	SA-1223000-8 [S]
Wing Pos., Light Shield, LH	A	219-4-5 [14A]

Eligibility continues in next column

Continued from previous column

Description	Idx	Part Number
Wing Pos., Light Shield, RH	A	219-4-6 [14A]
1 Models 206, U206 only 2 Models 206, U206, U206A,B only 3 Models 206, U206, U206A,B,C,D only 4 Models 206, TU206B, U206, U206A, only 5 Models TU206A,B, U206A,B only 6 Models TU206B,C,D, U206B,C,D only 7 Models TU206C,D, U206C,D only 8 Models U206B,C,D only 9 Models U206C only 10 S/N U206-0657 thru U206-1389 only 11 S/N U206-1161 thru U206-1444 only 12 Also available as a FAA-PMA/STC approved split Fairing for easy installation and removal; add an "SP" suffix to the P/N. 13 For aircraft with factory float kit option only 14 For wings with a conical wing tip		
P206, P206A,B,C,D,E, TP206A,B,C,D,E S/N P206-0002 thru P206-0647		
Description	Idx	Part Number
Cap, Rudder Top	K	GF0731606-04 [1K] GF0731606-01 [5K] SA-0731606-6 [3S] SA-1231001-2 [1S]
Cap, Vertical Fin No Beacon Base	J	K0731606-1 [5K]
Cap, Vertical Fin Small Beacon Base	J	K0731606-3 [5K]
Cap, Vertical Fin 2 1/4" Beacon Base	J	SA-0731606-3 [5S]
Fairing, Main Wheel, LH (Wheel Pant)	B	K0741046-203 [5K]
Fairing, Main Wheel, RH (Wheel Pant)	B	K0741046-202 [5K]
Fairing, Nose Wheel	C	K0743625-14 [4K] 118-4-21 [A] SA-1227402-3 [9S]

Eligibility continues on next page

Cessna 205, 206, 207 and 210 Series Aircraft

Exterior Plastic/Fiberglass Trim and Fairings

Continued from previous page

Description	Idx	Part Number
Fairing, Strut To Fuslg, RH	E	118-4-20 SA-1227402-4 2 S
Fairing, Strut To Wing, LH	D	118-4-19 SA-1227002-11 9 S
Fairing, Strut To Wing, RH	D	118-4-18 SA-1227002-10 9 S
Fairing, Stinger (Tailcone)	N	GF1212010-00 K SA-1212010-14 S
Tip, Elevator, LH	M	GF1234608-01 2 K K1234640-1 7 K SA-1234608-3 3 S SA-1234640-1 7 S
Tip, Elevator, RH	M	GF1234608-02 2 K K1234640-2 7 K SA-1234608-4 3 S SA-1234640-2 7 S
Tip, Horiz. Stab., LH or RH	O	GF1232604-1 2 K SA-1232604-1 3 S SA-1232012-1 8 S SA-1232616-1 6 S
Tip, Wing, LH	A	20-51L-80A 8 T SA-1223000-7 2 T
Tip, Wing, RH	A	20-51R-80A 8 T SA-1223000-8 S
Wing Pos., Light Shield, LH	A	219-4-5 10 A
Wing Pos., Light Shield, RH	A	219-4-6 10 A

- 1** Models P206, P206A only
- 2** Models P206, P206A,B only
- 3** Models P206A,B, TP206A,B only
- 4** Models P206B,C,D only
- 5** Models P206B,C,D,E only
- 6** Models P206C,D only
- 7** Models P206C,D,E, TP206C,D,E only
- 8** Models P206D,E, TP206D,E only
- 9** Also available as a FAA-PMA/STC approved split Fairing for easy installation and removal; add an "SP" suffix to the P/N.
- 10** For wings with a conical wing tip

TU206E,F,G, U206E,F,G
S/N U20601445 thru U20607020

Description	Idx	Part Number
Cap, Rudder Top	K	GF0731606-04 5 K GF0731606-01 9 K SA-0731606-6 8 S SA-0731606-9 17 S SA-1233736-1 10 S
Cap, Vertical Fin No Beacon Base	J	K0731606-1 9 K
Cap, Vertical Fin Small Beacon Base	J	K0731606-3 9 K K1231064 17 K
Cap, Vertical Fin 2 1/4" Beacon Base	J	SA-0731606-3 8 S SA-1231064-1 17 S
Cap, Vertical Fin 2 1/2" Beacon Base	J	SA-1231059-1 13 S
Fairing, Brake, LH	G	SA-1241113-1 6 S SA-1241232-1 6 S
Fairing, Brake, RH	G	SA-1241113-2 6 S SA-1241232-2 6 S
Fairing, Main Gear, LH	B	GF0541223-01 16 K SA-0541203-1 10 S SA-0541223-17 16 S SA-1241229-1 3 S
Fairing, Main Gear, RH	B	GF0541223-02 16 K SA-0541203-2 10 S SA-0541223-16 16 S SA-1241229-2 3 S
Fairing, Main Wheel, LH (Wheel Pant)	B	K0741046-203 7 K
Fairing, Main Wheel, RH (Wheel Pant)	B	K0741046-202 7 K
Fairing, Nose Wheel	C	20-40N-80A 12 T GF0543079-00 16 K SA-0543065-1 10 S SA-0543079-3 16 S SA-1234045-1 3 S
Fairing, Strut To Fuslg, LH	E	118-4-21 4 A 118-4-25 14 A SA-1227010-1 3 S SA-1227402-3 1 18 S

Eligibility continues in next column
Manufacturer/Material: **A** Aircraft Development/Fiberglass, **K** Knots 2U/Fiberglass, **S** Stene Aviation/Fiberglass, **T** Texas Aeroplastics/ABS Plastic Parts

Continued from previous column

Description	Idx	Part Number
Fairing, Strut To Fuslg, RH	E	118-4-20 4 A 118-4-24 14 A SA-1227010-2 3 S SA-1227402-4 1 18 S
Fairing, Strut To Wing, LH	D	118-4-19 4 A 118-4-35 15 A SA-1227002-11 1 18 S SA-1227005-5 15 S
Fairing, Strut To Wing, RH	D	118-4-18 4 A 118-4-34 15 A SA-1227002-10 1 18 S SA-1227005-6 15 S
Fairing, Stinger (Tailcone)	N	GF1212010-00 K SA-1212010-14 S
Tip, Elevator, LH	M	K1234640-1 K SA-1234640-1 S
Tip, Elevator, RH	M	K1234640-2 K SA-1234640-2 S
Tip, Horiz. Stab., LH or RH	O	GF1232012-1 3 K SA-1232012-1 S
Tip, Wing, LH	A	20-51L-80A 4 T 20-52L-80A 2 T GF0723200-5 3 K SA-0723200-5 3 12 23 S
Tip, Wing, RH	A	20-51R-80A 4 T 20-52R-80A 2 T GF0723200-6 3 K SA-0723200-6 3 12 23 S
Tip, Wing, Conical, LH	A	GF0523565-29791 11 K SA-0523565-29 11 22 23 S
Tip, Wing, Conical, RH	A	GF0523565-30791 11 K SA-0523565-30 11 22 23 S
Wing Pos., Light Shield, LH	A	219-4-5 4 20 A 219-4-7 3 21 A
Wing Pos., Light Shield, RH	A	219-4-6 4 20 A 219-4-8 3 21 A

- 1** Models TU206E,U206E only
- 2** Models TU206F, U206F only
- 3** Models TU206F,G, U206F,G only
- 4** Model U206E only
- 5** Models U206E,F,G only
- 6** Model U206G only
- 7** S/N U20601445 thru U20601587 only
- 8** S/N U20601445 thru U20601905 only
- 9** S/N U20601445 thru U20603020 only
- 10** S/N U20601588 thru U20602199 only
- 11** S/N U20601605 thru U20601700 only
- 12** S/N U20601701 thru U20603521 only
- 13** S/N U20601906 thru U20603020 only
- 14** S/N U20602200 and On
- 15** S/N U20602576 and On
- 16** S/N U20602580 and On
- 17** S/N U20603021 and On
- 18** Also available as a FAA-PMA/STC approved split Fairing for easy installation and removal; add an "SP" suffix to the P/N.
- 19** For aircraft with factory float kit option only
- 20** For wings with a conical wing tip
- 21** For a wing with STOL leading edge radius
- 22** For kits including LH and RH, see page 294.
- 23** Add "LL-14V or LL-28V" suffix for FAA-PMA/STC wing tips including Quasar LED landing/taxi lights and optimized to accept LED nav/strobe lights. Must purchase as a LH and RH kit. See page 294.
- 24** Add "LED" suffix for FAA-PMA/STC wing tips optimized to accept LED nav/strobe lights.

206H, T206H
S/N 20608001 thru 20699999, T20608001 thru T20699999

Description	Idx	Part Number
Cap, Rudder Top	K	SA-0731606-9 S
Cap, Vertical Fin 2 1/4" Beacon Base	J	SA-0731606-11 S
Cap, Vertical Fin 2 1/2" Beacon Base	J	K1231064 K
Fairing, Main Gear, LH	B	GF0541223-01 2 K SA-0541223-17 S SA-1241229-1 S
Fairing, Main Gear, RH	B	GF0541223-02 2 K SA-0541223-16 S SA-1241229-2 S
Fairing, Nose Wheel	C	SA-0543079-3 S SA-1243045-12 6 S
Fairing, Strut To Fuslg, LH	E	SA-1227010-1 S
Fairing, Strut To Fuslg, RH	E	SA-1227010-2 S
Fairing, Strut To Wing, LH	D	SA-1227005-5 S
Fairing, Strut To Wing, RH	D	SA-1227005-6 S
Fairing, Stinger (Tailcone)	N	GF1212010-00 K
Tip, Elevator, LH	M	K1234640-1 K SA-1234640-3 S
Tip, Elevator, RH	M	K1234640-2 K SA-1234640-4 S
Tip, Horiz. Stab., LH or RH	O	SA-1232012-1 S GF0723200-5 K
Tip, Wing, LH	A	SA-0723200-5 1 18 S S SA-0723205-1 S GF0723200-6 K
Tip, Wing, RH	A	SA-0723200-6 1 18 S S SA-0723205-2 S
Wing Pos., Light Shield, LH	A	219-4-7 4 A
Wing Pos., Light Shield, RH	A	219-4-8 4 A

1 S/N 206-08001 thru 20608361 and T20608001 thru T20608361 only
2 Model T206H only
3 For kits including LH and RH see page 294.
4 For a wing with STOL leading edge radius
5 Add "LL-14V or LL-28V" suffix for FAA-PMA/STC wing tips including Quasar LED landing/taxi lights and optimized to accept LED nav/strobe lights. Must purchase as a LH and RH kit. See page 294.
Add "LED" suffix for FAA-PMA/STC wing tips optimized to accept LED nav/strobe lights.
6 Heavy Duty

207, 207A, T207, T207A
S/N 20700001 thru 20700788

Description	Idx	Part Number
Cap, Rudder Top	K	GF0731606-04 8 K GF0731606-01 4 K SA-0731606-6 4 S SA-0731606-9 8 S
Cap, Vertical Fin No Beacon Base	J	K0731606-1 4 K
Cap, Vertical Fin Small Beacon Base	J	K0731606-3 4 K K1231064 8 K
Cap, Vertical Fin 2 1/4" Beacon Base	J	SA-0731606-3 2 S SA-1231064-1 8 S
Cap, Vertical Fin 2 1/2" Beacon Base	J	SA-1231059-1 6 S
Fairing, Brake, LH	G	SA-1241228-1 8 S
Fairing, Brake, RH	G	SA-1241228-2 8 S
Fairing, Gear Leg, LH	F	SA-1241217-1 S
Fairing, Gear Leg, RH	F	SA-1241217-2 S
Fairing, Main Gear, LH	B	GF0541223-01 8 K
Fairing, Main Gear, RH	B	GF0541223-02 8 K GF0543079-00 8 K
Fairing, Nose Wheel	C	K0743625-14 5 K SA-0543079-3 5 S
Fairing, Stinger (Tailcone)	N	GF1212010-00 K SA-1212010-14 S
Fairing, Strut To Fuslg, LH	E	118-4-25 A SA-1227010-1 S
Fairing, Strut To Fuslg, RH	E	118-4-24 A SA-1227010-2 S
Fairing, Strut To Wing, LH	D	118-4-35 A SA-1227011-5 S
Fairing, Strut To Wing, RH	D	118-4-34 A SA-1227011-6 S
Tip, Elevator, LH	M	K1234640-1 K SA-1234640-1 9 S

Eligibility continues on next page

Exterior Plastic and Fiberglass Trim and Fairings



Cessna 205, 206, 207, 210, 310, 336 and 337 Series Aircraft

Continued from previous page

Description	Idx	Part Number
Tip, Elevator, RH	M	K1234640-2 SA-1234640-2
Tip, Horiz. Stab., LH or RH	O	GF1232012-1 SA-1232012-1
Tip, Wing, LH	A	20-51L-80A SA-1223000-7 SA-0523565-29
Tip, Wing, RH	A	20-51R-80A SA-1223000-8 SA-0523565-30
Tip, Wing, Conical, LH	A	GF0523565-29791
Tip, Wing, Conical, RH	A	GF0523565-30791
Wing Pos., Light Shield, LH	A	219-4-5
Wing Pos., Light Shield, RH	A	219-4-6

- 1 S/N 20700001 thru 20700148 only
- 2 S/N 20700001 thru 20700216 only
- 3 S/N 20700001 thru 20700254 only
- 4 S/N 20700001 thru 20700314 only
- 5 S/N 20700001 thru 20700362 only
- 6 S/N 20700217 thru 20700314 only
- 7 S/N 20700192 and on
- 8 S/N 20700315 and on
- 9 S/N 20700363 and on
- 10 For wings with a conical wing tip
- 11 For kits including LH and RH, see page 294.
- 12 Add "LL-14V or LL-28V" suffix for FAA-PMA/STC wing tips including Quasar LED landing/taxi lights and optimized to accept LED nav/strobe lights. Must purchase as a LH and RH kit. See page 294.
- Add "LED" suffix for FAA-PMA/STC wing tips optimized to accept LED nav/strobe lights.

210, 210A, B, C, D, E, F
S/N 570001 thru 21058818

Description	Idx	Part Number
Cap, Rudder Top	K	GF0731606-04 SA-1231001-2
Cap, Vertical Fin	J	GF0731606-03
Fairing, Strut To Fuslg, LH	E	34-01-01-LFS
		34-01-23-LFS
		SA-1227002-3
		SA-1227401-3
		SA-1227402-1
Fairing, Strut To Fuslg, RH	E	34-01-01-RFS
		34-01-23-RFS
		SA-1227002-2
		SA-1227401-2
		SA-1227402-2
Fairing, Strut To Wing, LH	D	118-4-19
		34-01-05-LWS
		SA-1227002-11
		SA-1227002-5
Fairing, Strut To Wing, RH	D	118-4-18
		34-01-05-RWS
		SA-1227002-10
Fairing, Stinger (Tailcone)	N	SA-1227002-4
Tip, Elevator, LH	M	GF1234608-01 SA-1234608-3
Tip, Elevator, RH	M	GF1234608-02 SA-1234608-4
Tip, Horiz. Stab., LH or RH	O	SA-0732613-1 GF1232604-1 SA-1232604-1
Tip, Wing, Hoerner Style	A	11004 (set of two)
Tip, Wing, LH	A	SA-1223000-7
Tip, Wing, RH	A	SA-1223000-8

- 1 Models 210, 210A only
- 2 Models 210, 210A, B, C only
- 3 Models 210, 210A, B, C, D, E only
- 4 Models 210B, C only
- 5 Models 210D, E only
- 6 Models 210D, E, F only
- 7 Model 210F only

210G, H, J, K, L, M, N, R
S/N 21058819 thru 21065009

Description	Idx	Part Number
Cap, Rudder Top	K	GF0731606-04 GF0731606-01 SA-0731606-6 SA-0731606-9
Cap, Vertical Fin No Beacon Base	J	GF0731606-03 K0731606-1 SA-0731606-1 SA-0731606-10
Cap, Vertical Fin Small Beacon Base	J	K0731606-3 K1231064
Cap, Vertical Fin 2 1/4" Beacon Base	J	SA-0731606-3
Cap, Vertical Fin 2 1/2" Beacon Base	J	SA-1231064-1
Fairing, Stinger (Tailcone)	N	GF1212010-00 SA-1212010-14
Tip, Elevator, LH	M	K1234640-1 SA-1234640-1
Tip, Elevator, RH	M	K1234640-2 SA-1234640-2
Tip, Horiz. Stab., LH or RH	O	SA-1232012-1 GF1232012-1
Tip, Wing, LH	A	SA-1221111-203
Tip, Wing, RH	A	SA-1221111-202

- 1 S/N 21058819 thru 21061573 only
- 2 S/N 21058819 thru 21064897 only
- 3 S/N 21059038 thru 21064897 only
- 4 S/N 21059200 thru 21059719 only
- 5 S/N 21059200 thru 21061039 only
- 6 S/N 21059200 thru 21064897 only
- 7 S/N 21059200 and On
- 8 S/N 21059503 thru 21061573 only
- 9 S/N 21059503 and On
- 10 S/N 21061040 thru 21064135 only
- 11 S/N 21061040 and On

P210N, R
S/N P21000001 thru P21000874

Description	Idx	Part Number
Cap, Rudder Top	K	GF0731606-04
Cap, Vertical Fin No Beacon Base	J	GF0731606-03
Cap, Vertical Fin Small Beacon Base	J	K1231064
Fairing, Stinger (Tailcone)	N	GF1212010-00 SA-1212010-14
Tip, Elevator, LH	M	K1234640-1 SA-1234640-1
Tip, Elevator, RH	M	K1234640-2 SA-1234640-2
Tip, Wing, LH	A	SA-1221111-203
Tip, Wing, RH	A	SA-1221111-202

1 Model P210N only
T210F, G, H, J, K, L, M, N, R
S/N T210-0001 thru T210-0454

Description	Idx	Part Number
Cap, Rudder Top	K	GF0731606-04 GF0731606-01 SA-1231001-2
Cap, Vertical Fin No Beacon Base	J	GF0731606-03 K0731606-1
Cap, Vertical Fin Small Beacon Base	J	K0731606-3 K1231064
Cap, Vertical Fin 2 1/2" Beacon Base	J	SA-1231059-1
Fairing, Stinger (Tailcone)	N	GF1212010-00 SA-1212010-14
Tip, Elevator, LH	M	GF1234608-01 K1234640-1 SA-1234608-3 SA-1234640-1
Tip, Elevator, RH	M	GF1234608-02 K1234640-2 SA-1234608-4 SA-1234640-2

Eligibility continues in next column

Continued from previous column

Description	Idx	Part Number
Tip, Horiz. Stab., LH or RH	O	SA-1232012-1 GF1232012-1 GF1232604-1 SA-1232604-1
Tip, Wing, LH	A	SA-1221111-203
Tip, Wing, RH	A	SA-1221111-202

- 1 Models T210F only
- 2 Models T210G, H, J, K, L, M, N only
- 3 Models T210G, H, J, K, L, M, N only
- 4 Models T210G, H, J, K, L, M, N, R only
- 5 S/N T210-0382 thru T210-0454 only
- 6 Models T210H, J, K, L, M, N only
- 7 Models T210K, L, M, N only
- 8 Models T210K, L, M, N, R only
- 9 Models T210L, M, N, R only
- 10 Model T210L only



310, 310P

Description	Part Number
Cap, Nose, Left	GF0851119-1
Cap, Nose, Right	GF0851119-2
Fairing, Stinger (Tailcone)	GF0831372-1
Tip, Stabilizer, Left or Right	GF0832115-1

- 1 Model 310P S/N 310P0001 thru 310P0094 only
- 2 Model 310 only



336, 337, 337A, B, C, D, E, F, G, H, F337E, F, G, H, FT337E, F, P337H, T337G

Description	Part Number
Fairing, Strut To Fuslg, LH	33-06-LFS SA-1412251-3 SA-1521002-1
Fairing, Strut To Fuslg, RH	33-06-RFS SA-1412251-4 SA-1521002-2
Fairing, Strut To Wing, LH	33-06-LWS SA-1421001-5 SA-1521002-3
Fairing, Strut To Wing, RH	33-06-RWS SA-1421001-6 SA-1521002-4
Tip, Rudder	GF1431001-8 SA-1431001-8
Tip Vertical Fin, Lower	GF1431001-11 SA-1431001-11
Tip, Vertical Fin, Upper	GF1531003-9 SA-1531003-9
Tip, Vertical Fin, Upper LH	GF1431001-10
Tip, Wing, LH	SA-1520008-23
Tip, Wing, RH	SA-1520008-24

- 1 Models 337, 337A, B, C, D, E, F only
- 2 Models 336, 337, 337A, B, C, D, E, F, G, H, F337E, F, G, H, FT337E, F, P337H, T337G only
- 3 Models 337G, H, F337G, P337H, T337G only
- 4 Models 336, 337, F337E, F, G, H, FT337E, F, P337H, T337G only
- 5 Models 337E, F, T337E, F only
- 6 Models 337G, H, T337H only

Exterior Plastic/Fiberglass Trim and Fairings

Cessna 205, 206, 207, 210, 340, 401 and 402 Series Aircraft

Exterior Plastic/Fiberglass Trim and Fairings



340, 401, 401A,B, 402, 402A,B,C

Description	Part Number
Tip, Stabilizer, Left or Right	GF0832115-1 K

Kits available for 205, 206, 207 and 210 aircraft

Kit P/N	Kit Description	Part Number	Item Description
118-4-62	Strut Fairing Kit, Fiberglass	118-4-25	Fairing, Strut To Fuselage, LH
		118-4-24	Fairing, Strut To Fuselage, RH
		118-4-35	Fairing, Strut To Wing, LH
		118-4-34	Fairing, Strut To Wing, RH
118-4-72	Strut Fairing Kit, Fiberglass	118-4-21	Fairing, Strut To Fuselage, LH
		118-4-20	Fairing, Strut To Fuselage, RH
		118-4-19	Fairing, Strut To Wing, LH
		118-4-18	Fairing, Strut To Wing, RH
20-51-80A	Conical Wing Tip Kit	20-51L-80A	Tip, Wing, LH
		20-51R-80A	Tip, Wing, RH
20-52-80A	Conical Wing Tip Kit	20-52L-80A	Tip, Wing, LH
		20-52R-80A	Tip, Wing, RH
SA-0523565-2930	Wing Tips 1 2	SA-0523565-29	Tip, Wing, Conical, LH
		SA-0523565-30	Tip, Wing, Conical, RH
SA-0723200-56	Wing Tips 1 2	SA-0723200-5	Tip, Wing, LH
		SA-0723200-6	Tip, Wing, RH
SA-1227010-1256	Strut Fairing Kit, Fiberglass	SA-1227010-1	Fairing, Strut to Fuselage, LH
		SA-1227010-2	Fairing, Strut to Fuselage, RH
		SA-1227005-5	Fairing, Strut to Wing, LH
SA-1227010-5612	Strut Fairing Kit, Fiberglass	SA-1227005-6	Fairing, Strut to Wing, RH
		SA-1227010-1	Fairing, Strut to Fuselage, LH
		SA-1227010-2	Fairing, Strut to Fuselage, RH
SA-1227401-2345	Strut Fairing Kit, Fiberglass For FAA-PMA/STC split Fairings add an "SP" suffix to the kit P/N.	SA-1227011-5	Fairing, Strut to Wing, LH
		SA-1227401-4	Fairing, Strut to Fuselage, RH
		SA-1227002-11	Fairing, Strut to Wing, LH
		SA-1227002-10	Fairing, Strut to Wing, RH
SA-1227402-3456	Strut Fairing Kit, Fiberglass For FAA-PMA/STC split Fairings add an "SP" suffix to the kit P/N.	SA-1227402-3	Fairing, Strut to Fuselage, LH
		SA-1227402-4	Fairing, Strut to Fuselage, RH
		SA-1227002-11	Fairing, Strut to Wing, LH
		SA-1227002-10	Fairing, Strut to Wing, RH

1 Add "LL-14V (14 Volt Installation) or LL-28V (28 Volt Installation)" suffix for FAA-PMA/STC wing tips including Quasar LED landing/taxi lights and optimized to accept LED nav/strobe lights. Installation kit including all hardware required for installation of Quasar LED lighted wing tips is included. Kits include shielded wire, all connectors, switches and breaker.
2 Add "LED" suffix for FAA-PMA/STC wing tips optimized to accept LED nav/strobe lights.

Commander 112/114 Series Aircraft Fiberglass parts by Knots 2U

Vertical Fin Tip

112 S/N 126 thru 499
112B S/N 500 and Up
112TC S/N 13000 thru 13149
112TCA S/N 13150 and Up
114, 114A,B,
114TC S/N 14000-14624
P/N GF44300-3



Tailcone Stinger

114
P/N GF43367-210



Dorsal Fin Tip

112, 114 Series
P/N GF43650-501



Stabilator Tip

112,A,B,TC,TCA
114
P/N GF44324-400
Fits left or right.



Rudder Tip

112 S/N 126 thru 499
112B S/N 500 and Up
112TC S/N 13000 thru 13149
112TCA S/N 13150 and Up
114,A,B
P/N GF44233-11



Wing Tips

112, 112A, 114
P/N GF142242-17 (Left)
P/N GF142242-18 (Right)

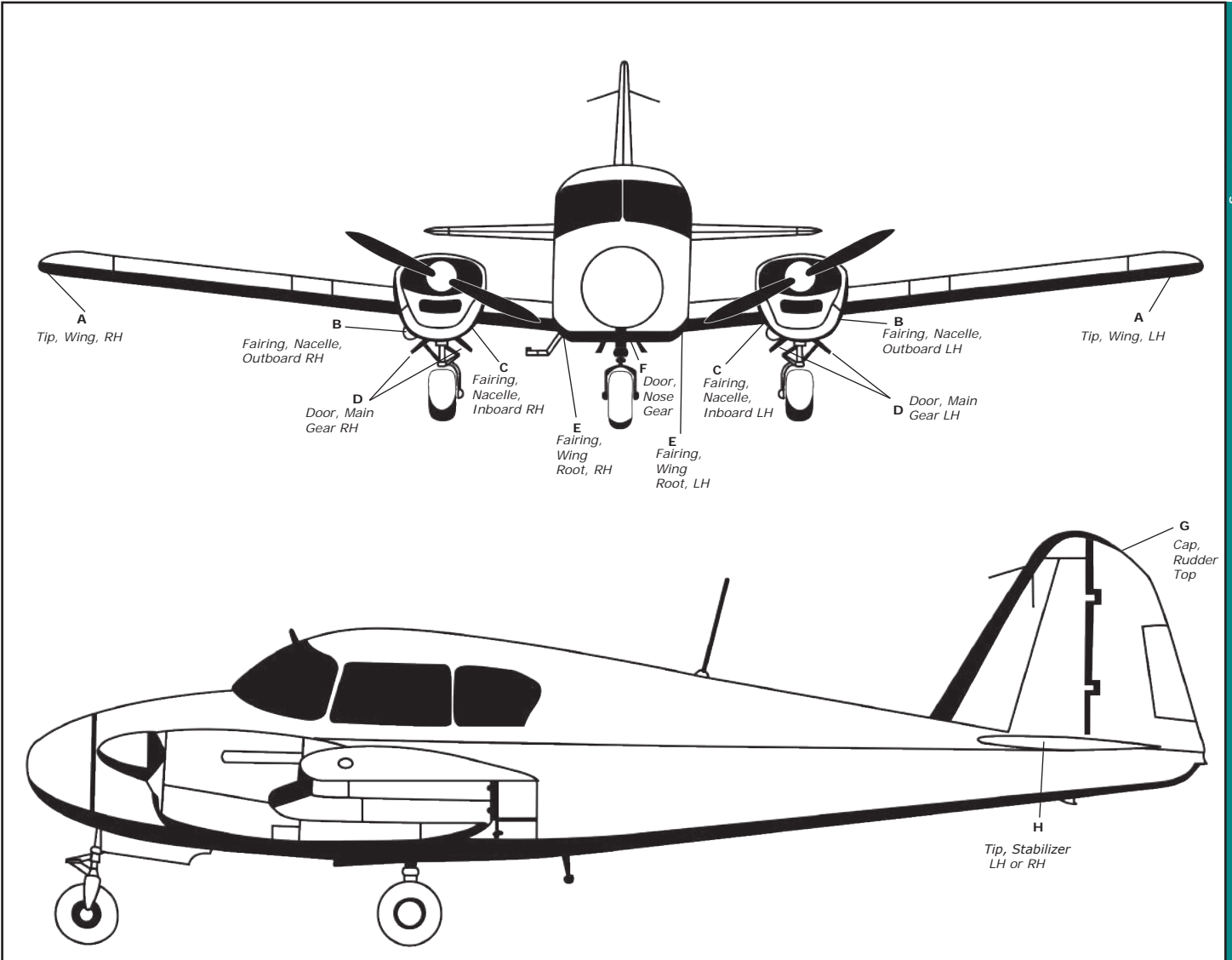
112B, 112TC, 112TCA
P/N GF175009-3 (Left)
P/N GF175009-8 (Right)



Photo courtesy of Lauren Sobkoviak

Manufacturer/Material: **A** Aircraft Development/Fiberglass, **K** Knots 2U/Fiberglass, **S** Stene Aviation/Fiberglass, **T** Texas Aeroplastics/ABS Plastic Parts

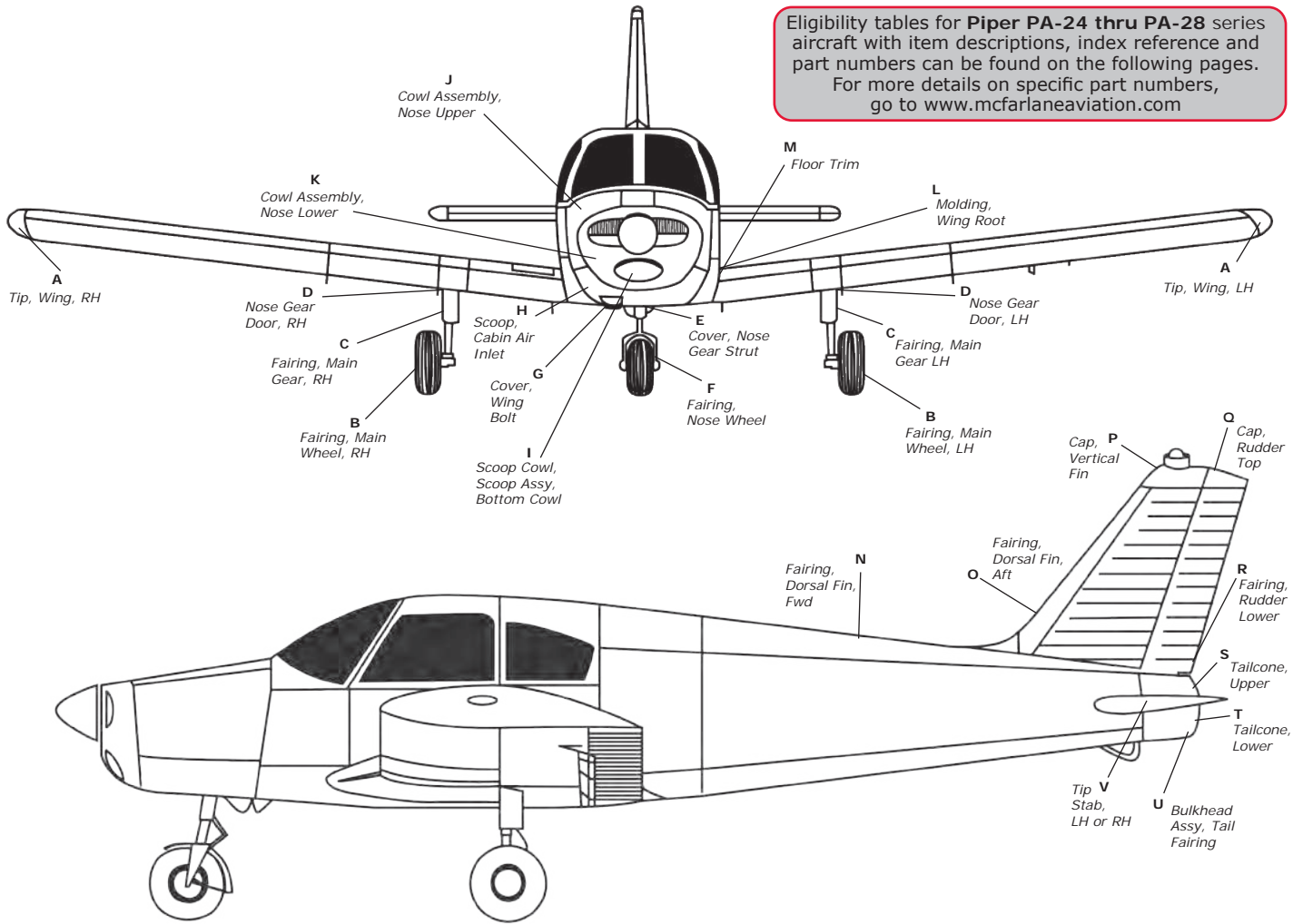
Exterior Plastic and Fiberglass Trim and Fairings Piper PA-23, PA-30, PA-39 Series Aircraft



PA-23-235, PA-23-250			
Description	Idx	Part Number	
CAP, Rudder Top	G	33448-000K	4 K
		K16792-00	1 K
Door, Main Gear, LH	D	GF31466-00	2 6 K
Door, Main Gear, RH	D	GF31466-01	2 6 K
Door, Nose Gear, LH	F	GF31515-00	2 6 K
Door, Nose Gear, RH	F	GF31515-01	2 6 K
Fairing, Nacelle, Inboard LH	C	GF32466-00	3 K
Fairing, Nacelle, Inboard RH	C	GF32466-01	3 K
Fairing, Nacelle, Outboard LH	B	GF32471-00	3 K
Fairing, Nacelle, Outboard RH	B	GF32471-01	3 K
Fairing, Wing Root, LH	E	GF32464-00	3 K
Fairing, Wing Root, RH	E	GF32464-01	3 K
Tip, Stabilator, Set, RH and LH	H	GF28466-00	K
Tip, Stabilizer, LH or RH	H	GF16109-00	K
Tip, Wing, LH	A	GF34267-00	5 K
Tip, Wing, RH	A	GF34267-01	5 K
1 Models PA-23-235, PA-23-250 S/N 27-1 thru 27-3070 and 27-4445 thru 27-7305134 2 S/N 27-2505 and On 3 S/N 27-3889 and On 4 S/N 27-7305135 and On 5 S/N 27-7654001 thru 27-7954087 6 Only sold in a set containing both LH and RH			
PA-30, 39			
Description	Idx	Part Number	
Cap, Rudder Top	G	GF23595-00	K
Tip, Stabilizer, LH or RH	H	GF25066	2 K
		GF21556-00	1 K
1 Model PA-30 S/N 30-2 thru 30-1744 except 30-1717 2 Model PA-30 S/N 30-1717, 30-1745 and On, PA-39			
Manufacturer/Material: K Knots 2U/Fiberglass			



Eligibility tables for Piper PA-24 thru PA-28 series aircraft with item descriptions, index reference and part numbers can be found on the following pages. For more details on specific part numbers, go to www.mcfarlaneaviation.com



PA-24, PA-24-250, PA-24-260, PA-24-400		
Description	Idx	Part Number
Bulkhead Assy, Tail Fairing	U	GF20804-12 ² ^K GF21605-05 ¹ ^K GF21555-00 ^K
Cap, Rudder Top, w/o slot	Q	K23451-00 ¹⁰ ^K GF24846-00 ⁹ ^K
Cap, Rudder Top, with slot	Q	GF21555-02 ^K
Cap, Vertical Fin	P	GF21557-00 ^K GF24896-00 ⁹ ^K SA-21557-00 ³ ^S
Fairing, Fin		SA-20404-00 ⁷ ^S
Scoop Assy, Bottom Cowl	I	GF21143 ⁵ ^K
Scoop, Cabin Air Inlet	H	K21933-00 ⁴ ^K
Scoop, Cowl	I	K21947-00 ⁶ ^K
Tip, Stabilizer, LH or RH	V	GF16109-00 ¹⁰ ^K GF21556-00 ⁷ ^K GF28041-00 ⁸ ^K SA-21556-00 ⁷ ^S
Tip, Wing, Hoerner Style (set)	A	11050-1 ^K
¹ PA-24 S/N 24-1 thru 24-3336 only (except 24-3335) PA-24-250 S/N 24-105 thru 24-2843, PA-24-400 S/N All ² PA-24 S/N 24-3337 thru 24-3687 only PA-24-250 S/N 24-2844 thru 24-3687, PA-24-260 S/N All ³ Model PA-24, PA-24-250 only ⁴ Model PA-24 and PA-24-250 S/N 24-1330 and on ⁵ Model PA-24 only, not for use on PA-24 aircraft with Cowl P/Ns 21950-07/-14, 22858-02, 22857-12, 24895-02/-17, or if carburetor air filter kit 754 285 is installed. ⁶ Model PA-24 S/N 24-1477 and On, PA-24-250 All, but can only be installed on PA-24-250, S/N 24-103 thru 24-1476 if carburetor air filter kit 754-285 has been installed. ⁷ Model PA-24, PA-24-250, PA-24-260 only (except 24-3335) ⁸ Model PA-24-250, PA-24-260 only ⁹ Model PA-24-260 only ¹⁰ Model PA-24-400 only		

PA-28-140		
Description	Idx	Part Number
Cap, Fin	P	SA-63514-06 ^S
Cap, Rudder Top	Q	SA-63541-00 ^S 60-27 ^T 60-28 ⁵ ^T GF63514-00 ² ^K GF65345-03 ⁵ ^K SA-65345-03 ^S
Cap, Vertical Fin, Rotating Beacon	P	SA-99035-03 ^S
Cap, Vertical Fin, Strobe Beacon	P	SA-99035-03 ^S
Cover, Wing Bolt, LH	G	60-63942-00-80A ^T GF63942-00 ^K
Cover, Wing Bolt, RH	G	60-63942-01-80A ^T GF63942-01 ^K
Fairing, Dorsal Fin, Aft	O	RD-0095-00 ⁴ ^K SA-99619-00 ^S
Fairing, Dorsal Fin, Fwd	N	60-19 ³ ^T 60-24 ⁴ ^T GF63517-00 ¹ ^K RD-0096-00 ⁴ ^K SA-99621-00 ^S SA-63517-00 ^S
Fairing, Fin		SA-63517-00 ^S
Fairing, Main Gear, LH or RH	C	K63338-00 ^K
Fairing, Main Wheel LH	B	K65203-00 ^K
Fairing, Main Wheel RH	B	K65203-01 ^K
Fairing, Nose Wheel	F	K65331-00 ^K
Moulding, Wing Root	L	K65773-00 ^K
Tailcone, Assembly	ST	RD-0099-00 ^K 60-31 ^T RD-0098-00 ^K
Tailcone, Lower	T	RD-0098-00 ^K
Tailcone, Upper	S	60-30 ^T RD-0097-00 ^K
Tip, Stabilator	V	60-23 ^T SA-63584-10 ^S
Tip, Stabilizer, LH or RH	V	RD-0094-00 ^K
Tip, Wing, Hoerner Style (set)	A	11051-1 ^K
<i>Eligibility continues in next column</i>		

Continued from previous column		
Description	Idx	Part Number
Tip, Wing, LH	A	RD-5010-L ⁶ ^K SA-62090-00 ^S
Tip, Wing, RH	A	RD-5010-R ⁶ ^K SA-62090-01 ^S
Tip, Wing, LH, 4" Nav Pad Only	A	GF62090-00 ^K
Tip, Wing, RH, 4" Nav Pad Only	A	GF62090-01 ^K
Tip, Wing, LH, 6" Nav Pad Std	A	GF78022-00 ^K
Tip, Wing, RH, 6" Nav Pad Std	A	GF78022-01 ^K
¹ S/N 28-20002 thru 28-7125651 and S/N 28-7225001 and On ² S/N 28-20002 thru 28-7125651 and S/N 28-7225001 thru 28-7325684 ³ S/N 28-20002 thru 28-7225612 ⁴ S/N 28-7225001 and On ⁵ S/N 28-7425001 and On ⁶ Kit P/N RMD-005010-PA contains both LH and RH		
PA-28-150, PA-28-160		
Description	Idx	Part Number
Cap, Fin	P	SA-63514-06 ^S
Cap, Rudder Top	Q	SA-63541-00 ^S
Cap, Vertical Fin, Rotating Beacon	P	GF63514-00 ^K
Cover, Wing Bolt, LH	G	60-63942-00-80A ^T GF63942-00 ^K
Cover, Wing Bolt, RH	G	60-63942-01-80A ^T GF63942-01 ^K
Fairing, Dorsal Fin, Fwd	N	60-19 ^T GF63517-00 ^K SA-63517-00 ^S
Fairing, Main Gear, LH or RH	C	K63338-00 ^K
Fairing, Main Wheel LH	B	K65203-00 ^K
Fairing, Main Wheel RH	B	K65203-01 ^K
Fairing, Nose Wheel	F	K65331-00 ^K
Moulding, Wing Root	L	K65773-00 ^K
Tailcone, Assembly	ST	RD-0099-00 ^K
Tailcone, Lower	T	RD-0098-00 ^K

Piper PA-24 thru PA-28 Series Aircraft

Continued from previous page		
Description	Idx	Part Number
Tailcone, Upper	S	RD-0097-00
Tip, Stabilator	V	60-23
Tip, Stabilizer, LH or RH	V	RD-0094-00
Tip, Wing, Hoerner Style (set)	A	11051-1
Tip, Wing, LH	A	RD-5010-L
Tip, Wing, RH	A	SA-62090-00
Tip, Wing, LH, 4" Nav Pad Only	A	GF62090-00
Tip, Wing, RH, 4" Nav Pad Only	A	GF62090-01
Tip, Wing, LH, 6" Nav Pad Std	A	GF78022-00
Tip, Wing, RH, 6" Nav Pad Std	A	GF78022-01
1 Kit P/N RMD-005010-PA contains both LH and RH.		
PA-28-151, PA-28-161		
Description	Idx	Part Number
Cap, Vertical Fin, Rot. Beacon	P	60-28
Cap, Vertical Fin, Strobe Beacon	P	GF65345-03
Cover, Nose Gear Strut, Aft	E	SA-65345-03
Cover, Nose Gear Fairing, Aft	E	SA-99035-03
Cover, Nose Gear Fairing, Fwd	E	GF35838-10
Cover, Nose Gear Strut Fairing Aft	E	W/Door
Cover, Nose Gear Strut Fairing, Fwd	E	GF35838-10
Cover, Wing Bolt, LH	G	GF36558-03
Cover, Wing Bolt, RH	G	GF36558-02
Cowl Assy, Nose Upper	J	GF37893-07
Cowl Assy, Nose Lower	K	GF37928-04
Fairing, Dorsal Fin, Aft	O	GF37893-06
Fairing, Dorsal Fin, Fwd	N	GF37928-03
Fairing, Main Gear, LH or RH	C	60-63942-00-80A
Fairing, Main Wheel LH	B	GF63942-00
Fairing, Main Wheel RH	B	GF63942-01
Fairing, Main Wheel Access Panel, LH	B	K35699-02
Fairing, Main Wheel Access Panel, RH	B	K35699-03
Fairing, Main Wheel Shell, LH	B	RD-0095-00
Fairing, Main Wheel Shell, RH	B	SA-99619-00
Fairing, Main Wheel, Fwd Up LH	B	RD-0096-00
Fairing, Main Wheel, Fwd Up RH	B	SA-99621-00
Fairing, Main Wheel, Aft Up LH	B	GF63942-00
Fairing, Main Wheel, Aft Up RH	B	60-63942-01-80A
Fairing, Main Wheel, Up, Aft, LH	B	GF63942-01
Fairing, Main Wheel, Up, Aft, RH	B	GF63942-02
Fairing, Nose Wheel	F	K35699-02
Moulding, Wing Root	L	GF79890-02
Tailcone, Assembly	ST	GF79890-03
Tailcone, Lower	T	GF79890-00
Tailcone, Upper	S	GF79890-01
Tip, Stabilizer, LH or RH	V	GF79890-02
Tip, Wing, LH	A	GF79892-04
Tip, Wing, RH	A	GF79892-05
Tip, Wing, LH, 4" Nav Pad Std	A	GF79892-09
Tip, Wing, LH, 6" Nav Pad Std	A	GF79892-10
Tip, Wing, RH, 4" Nav Pad Std	A	GF79892-11
Tip, Wing, RH, 6" Nav Pad Std	A	GF79892-12
1 Model PA-28-161 only		
2 Model PA-28-151 and PA-28-161 S/N 28-7816001 thru 28-8616057 only		
3 PA-28-151 S/N 28-7415001 thru 28-7415713, 28-7515459, 28-7615445, 28-7715314, PA-28-161 S/N 28-7716001 thru 28-7716323, 28-7816695, 28-7916617, 28-8416131, 28-8516099, 28-8616057 only		
4 PA-28-161 S/N 28-7716001 thru 28-8616057		
5 Model PA-28-151 and PA-28-161 S/N 28-7716001 thru 28-7715323 only		
6 Models PA-28-151 and PA-28-161 S/N 28-7716001 thru 28-7716323 only		
7 Kit P/N RMD-006010-PA contains both LH and RH		

PA-28-180		
Description	Idx	Part Number
Cap, Fin	P	SA-63514-06
Cap, Rudder Top	Q	SA-63541-00
Cap, Vertical Fin, Rotating Beacon	P	60-27
Cap, Vertical Fin, Strobe Beacon	P	60-28
Cover, Wing Bolt, LH	G	GF63514-00
Cover, Wing Bolt, RH	G	GF63514-01
Fairing, Fin	O	GF63545-03
Fairing, Dorsal Fin, Aft	O	SA-65345-03
Fairing, Dorsal Fin, Fwd	N	RD-5010-R
Fairing, Main Gear, LH or RH	C	SA-62090-01
Fairing, Main Wheel LH	B	GF62090-00
Fairing, Main Wheel RH	B	GF62090-01
Fairing, Nose Wheel	F	GF62090-02
Moulding, Wing Root	L	GF62090-03
Tailcone, Assembly	ST	GF62090-04
Tailcone, Lower	T	GF62090-05
Tailcone, Upper	S	GF62090-06
Tip, Stabilator LH or RH	V	GF62090-07
Tip, Wing, Hoerner Style (set)	A	GF62090-08
Tip, Wing, LH	A	GF62090-09
Tip, Wing, LH, 4" Nav Pad Only	A	GF62090-10
Tip, Wing, LH, 6" Nav Pad Std	A	GF62090-11
Tip, Wing, RH	A	GF62090-12
Tip, Wing, RH, 4" Nav Pad Only	A	GF62090-13
Tip, Wing, RH, 6" Nav Pad Std	A	GF62090-14
1 S/N 28-671 thru 28-7105244		
2 S/N 28-671 thru 28-7205328		
3 S/N 28-3978 thru 28-7505260		
4 S/N 28-7205001 thru 28-7505260		
5 S/N 28-7335001 thru 28-7505260		
6 S/N 28-7405001 and On		
7 Kit P/N RMD-005010-PA contains both LH and RH		
PA-28R-180		
Description	Idx	Part Number
Cap, Vertical Fin, Rotating Beacon	P	60-27
Cap, Vertical Fin, Strobe Beacon	P	60-28
Cover, Wing Bolt, LH	G	GF63545-03
Cover, Wing Bolt, RH	G	60-63942-00-80A
Door, Nose Gear, LH	D	GF63942-00
Door, Nose Gear, RH	D	60-63942-01-80A
Fairing, Dorsal Fin, Fwd	N	GF63942-01
Moulding, Wing Root	L	GF63942-02
Tailcone, Assembly	ST	GF63942-03
Tailcone, Lower	T	60-31
Tailcone, Upper	S	RD-0098-00
Tip, Stabilator, Ext. LH or RH	V	60-30
Tip, Wing, Hoerner Style (set)	A	RD-0097-00
Tip, Wing, LH	A	60-23
Tip, Wing, LH, 4" Nav Pad Only	A	RD-0094-00
Tip, Wing, LH, 6" Nav Pad Std	A	SA-63584-10
Tip, Wing, RH	A	RD-5010-L
Tip, Wing, RH, 4" Nav Pad Only	A	RD-5010-R
Tip, Wing, RH, 6" Nav Pad Std	A	SA-62090-00
Tip, Wing, RH, 6" Nav Pad Std	A	SA-62090-01
Tip, Wing, RH, 6" Nav Pad Std	A	SA-62090-02
Tip, Wing, RH, 6" Nav Pad Std	A	SA-62090-03
Tip, Wing, RH, 6" Nav Pad Std	A	SA-62090-04
Tip, Wing, RH, 6" Nav Pad Std	A	SA-62090-05
Tip, Wing, RH, 6" Nav Pad Std	A	SA-62090-06
Tip, Wing, RH, 6" Nav Pad Std	A	SA-62090-07
Tip, Wing, RH, 6" Nav Pad Std	A	SA-62090-08
Tip, Wing, RH, 6" Nav Pad Std	A	SA-62090-09
Tip, Wing, RH, 6" Nav Pad Std	A	SA-62090-10
Tip, Wing, RH, 6" Nav Pad Std	A	SA-62090-11
Tip, Wing, RH, 6" Nav Pad Std	A	SA-62090-12
Tip, Wing, RH, 6" Nav Pad Std	A	SA-62090-13
Tip, Wing, RH, 6" Nav Pad Std	A	SA-62090-14
Tip, Wing, RH, 6" Nav Pad Std	A	SA-62090-15
Tip, Wing, RH, 6" Nav Pad Std	A	SA-62090-16
Tip, Wing, RH, 6" Nav Pad Std	A	SA-62090-17
Tip, Wing, RH, 6" Nav Pad Std	A	SA-62090-18
Tip, Wing, RH, 6" Nav Pad Std	A	SA-62090-19
Tip, Wing, RH, 6" Nav Pad Std	A	SA-62090-20
Tip, Wing, RH, 6" Nav Pad Std	A	SA-62090-21
Tip, Wing, RH, 6" Nav Pad Std	A	SA-62090-22
Tip, Wing, RH, 6" Nav Pad Std	A	SA-62090-23
Tip, Wing, RH, 6" Nav Pad Std	A	SA-62090-24
Tip, Wing, RH, 6" Nav Pad Std	A	SA-62090-25
Tip, Wing, RH, 6" Nav Pad Std	A	SA-62090-26
Tip, Wing, RH, 6" Nav Pad Std	A	SA-62090-27
Tip, Wing, RH, 6" Nav Pad Std	A	SA-62090-28
Tip, Wing, RH, 6" Nav Pad Std	A	SA-62090-29
Tip, Wing, RH, 6" Nav Pad Std	A	SA-62090-30
Tip, Wing, RH, 6" Nav Pad Std	A	SA-62090-31
Tip, Wing, RH, 6" Nav Pad Std	A	SA-62090-32
Tip, Wing, RH, 6" Nav Pad Std	A	SA-62090-33
Tip, Wing, RH, 6" Nav Pad Std	A	SA-62090-34
Tip, Wing, RH, 6" Nav Pad Std	A	SA-62090-35
Tip, Wing, RH, 6" Nav Pad Std	A	SA-62090-36
Tip, Wing, RH, 6" Nav Pad Std	A	SA-62090-37
Tip, Wing, RH, 6" Nav Pad Std	A	SA-62090-38
Tip, Wing, RH, 6" Nav Pad Std	A	SA-62090-39
Tip, Wing, RH, 6" Nav Pad Std	A	SA-62090-40
Tip, Wing, RH, 6" Nav Pad Std	A	SA-62090-41
Tip, Wing, RH, 6" Nav Pad Std	A	SA-62090-42
Tip, Wing, RH, 6" Nav Pad Std	A	SA-62090-43
Tip, Wing, RH, 6" Nav Pad Std	A	SA-62090-44
Tip, Wing, RH, 6" Nav Pad Std	A	SA-62090-45
Tip, Wing, RH, 6" Nav Pad Std	A	SA-62090-46
Tip, Wing, RH, 6" Nav Pad Std	A	SA-62090-47
Tip, Wing, RH, 6" Nav Pad Std	A	SA-62090-48
Tip, Wing, RH, 6" Nav Pad Std	A	SA-62090-49
Tip, Wing, RH, 6" Nav Pad Std	A	SA-62090-50
Tip, Wing, RH, 6" Nav Pad Std	A	SA-62090-51
Tip, Wing, RH, 6" Nav Pad Std	A	SA-62090-52
Tip, Wing, RH, 6" Nav Pad Std	A	SA-62090-53
Tip, Wing, RH, 6" Nav Pad Std	A	SA-62090-54
Tip, Wing, RH, 6" Nav Pad Std	A	SA-62090-55
Tip, Wing, RH, 6" Nav Pad Std	A	SA-62090-56
Tip, Wing, RH, 6" Nav Pad Std	A	SA-62090-57
Tip, Wing, RH, 6" Nav Pad Std	A	SA-62090-58
Tip, Wing, RH, 6" Nav Pad Std	A	SA-62090-59
Tip, Wing, RH, 6" Nav Pad Std	A	SA-62090-60
Tip, Wing, RH, 6" Nav Pad Std	A	SA-62090-61
Tip, Wing, RH, 6" Nav Pad Std	A	SA-62090-62
Tip, Wing, RH, 6" Nav Pad Std	A	SA-62090-63
Tip, Wing, RH, 6" Nav Pad Std	A	SA-62090-64
Tip, Wing, RH, 6" Nav Pad Std	A	SA-62090-65
Tip, Wing, RH, 6" Nav Pad Std	A	SA-62090-66
Tip, Wing, RH, 6" Nav Pad Std	A	SA-62090-67
Tip, Wing, RH, 6" Nav Pad Std	A	SA-62090-68
Tip, Wing, RH, 6" Nav Pad Std	A	SA-62090-69
Tip, Wing, RH, 6" Nav Pad Std	A	SA-62090-70
Tip, Wing, RH, 6" Nav Pad Std	A	SA-62090-71
Tip, Wing, RH, 6" Nav Pad Std	A	SA-62090-72
Tip, Wing, RH, 6" Nav Pad Std	A	SA-62090-73
Tip, Wing, RH, 6" Nav Pad Std	A	SA-62090-74
Tip, Wing, RH, 6" Nav Pad Std	A	SA-62090-75
Tip, Wing, RH, 6" Nav Pad Std	A	SA-62090-76
Tip, Wing, RH, 6" Nav Pad Std	A	SA-62090-77
Tip, Wing, RH, 6" Nav Pad Std	A	SA-62090-78
Tip, Wing, RH, 6" Nav Pad Std	A	SA-62090-79
Tip, Wing, RH, 6" Nav Pad Std	A	SA-62090-80
Tip, Wing, RH, 6" Nav Pad Std	A	SA-62090-81
Tip, Wing, RH, 6" Nav Pad Std	A	SA-62090-82
Tip, Wing, RH, 6" Nav Pad Std	A	SA-62090-83
Tip, Wing, RH, 6" Nav Pad Std	A	SA-62090-84
Tip, Wing, RH, 6" Nav Pad Std	A	SA-62090-85
Tip, Wing, RH, 6" Nav Pad Std	A	SA-62090-86
Tip, Wing, RH, 6" Nav Pad Std	A	SA-62090-87
Tip, Wing, RH, 6" Nav Pad Std	A	SA-62090-88
Tip, Wing, RH, 6" Nav Pad Std	A	SA-62090-89
Tip, Wing, RH, 6" Nav Pad Std	A	SA-62090-90
Tip, Wing, RH, 6" Nav Pad Std	A	SA-62090-91
Tip, Wing, RH, 6" Nav Pad Std	A	SA-62090-92
Tip, Wing, RH, 6" Nav Pad Std	A	SA-62090-93
Tip, Wing, RH, 6" Nav Pad Std	A	SA-62090-94
Tip, Wing, RH, 6" Nav Pad Std	A	SA-62090-95
Tip, Wing, RH, 6" Nav Pad Std	A	SA-62090-96
Tip, Wing, RH, 6" Nav Pad Std	A	SA-62090-97
Tip, Wing, RH, 6" Nav Pad Std	A	SA-62090-98
Tip, Wing, RH, 6" Nav Pad Std	A	SA-62090-99
Tip, Wing, RH, 6" Nav Pad Std	A	SA-62090-100
Tip, Wing, RH, 6" Nav Pad Std	A	SA-62090-101
Tip, Wing, RH, 6" Nav Pad Std	A	SA-62090-102
Tip, Wing, RH, 6" Nav Pad Std	A	SA-62090-103
Tip, Wing, RH, 6" Nav Pad Std	A	SA-62090-104
Tip, Wing, RH, 6" Nav Pad Std	A	SA-62090-105
Tip, Wing, RH, 6" Nav Pad Std	A	SA-62090-106
Tip, Wing, RH, 6" Nav Pad Std	A	SA-62090-107
Tip, Wing, RH, 6" Nav Pad Std	A	SA-62090-108
Tip, Wing, RH, 6" Nav Pad Std	A	SA-62090-109
Tip, Wing, RH, 6" Nav Pad Std	A	SA-62090-110
Tip, Wing, RH, 6" Nav Pad Std	A	SA-62090-111
Tip, Wing, RH, 6" Nav Pad Std	A	SA-62090-112
Tip, Wing, RH, 6" Nav Pad Std	A	SA-62090-113
Tip, Wing, RH, 6" Nav Pad Std	A	SA-62090-114
Tip, Wing, RH, 6" Nav Pad Std	A	SA-62090-115
Tip, Wing, RH, 6" Nav Pad Std	A	SA-62090-116
Tip, Wing, RH, 6" Nav Pad Std	A	SA-62090-117
Tip, Wing, RH, 6" Nav Pad Std	A	SA-62090-118
Tip, Wing, RH, 6" Nav Pad Std	A	SA-62090-119
Tip, Wing, RH, 6" Nav Pad Std	A	SA-62090-120
Tip, Wing, RH, 6" Nav Pad Std	A	SA-62090-121
Tip, Wing, RH, 6" Nav Pad Std	A	SA-62090-122
Tip, Wing, RH, 6" Nav Pad Std	A	SA-62090-123
Tip, Wing, RH, 6" Nav Pad Std	A	SA-62090-124
Tip, Wing, RH, 6" Nav Pad Std	A	SA-62090-125
Tip, Wing, RH, 6" Nav Pad Std	A	SA-62090-126
Tip, Wing, RH, 6" Nav Pad Std	A	SA-62090-127
Tip, Wing, RH, 6" Nav Pad Std	A	SA-62090-128
Tip, Wing, RH, 6" Nav Pad Std	A	SA-62090-129
Tip, Wing, RH, 6" Nav Pad Std	A	SA-62090-130
Tip, Wing, RH, 6" Nav Pad Std	A	SA-62090-131
Tip, Wing, RH, 6" Nav Pad Std	A	SA-62090-132
Tip, Wing, RH, 6" Nav Pad Std	A	SA-62090-133
Tip, Wing, RH, 6" Nav Pad Std	A	SA-62090-134
Tip, Wing, RH, 6" Nav Pad Std	A	SA-62090-135
Tip, Wing, RH, 6" Nav Pad Std	A	SA-62090-136
Tip, Wing, RH, 6" Nav Pad Std	A	SA-62090-137
Tip, Wing, RH, 6" Nav Pad Std	A	SA-62090-138
Tip, Wing, RH, 6" Nav Pad Std	A	SA-62090-139
Tip, Wing, RH, 6" Nav Pad Std	A	SA-62090-140
Tip, Wing, RH, 6" Nav Pad Std	A	SA-62090-141
Tip, Wing, RH, 6" Nav Pad Std	A	SA-62090-142
Tip, Wing, RH, 6" Nav Pad Std	A	SA-62090-143
Tip, Wing, RH, 6" Nav Pad Std	A	SA-62090-144
Tip, Wing, RH, 6" Nav Pad Std	A	SA-62090-145
Tip, Wing, RH, 6" Nav Pad Std	A	SA-62090-146
Tip, Wing, RH, 6" Nav Pad Std	A	SA-62090-147
Tip, Wing, RH, 6" Nav Pad Std	A	SA-62090-148
Tip, Wing, RH, 6" Nav Pad Std	A	SA-62090-149
Tip, Wing, RH, 6" Nav Pad Std	A	SA-62090-150
Tip, Wing, RH, 6" Nav Pad Std	A	SA-62090-151
Tip, Wing, RH, 6" Nav Pad Std	A	SA-62090-152
Tip, Wing, RH, 6" Nav Pad Std	A	SA-62090-153
Tip, Wing, RH, 6" Nav Pad Std	A	SA-62090-154
Tip, Wing, RH, 6" Nav Pad Std	A	SA-62090-155
Tip, Wing, RH, 6" Nav Pad Std	A	SA-62090-156
Tip, Wing, RH, 6" Nav Pad Std	A	SA-62090-157
Tip, Wing, RH, 6" Nav Pad Std	A	SA-62090-158
Tip, Wing, RH, 6" Nav Pad Std	A	SA-62090-159
Tip, Wing, RH, 6" Nav Pad Std	A	SA-62090-160
Tip, Wing, RH, 6" Nav Pad Std	A	SA-62090-161
Tip, Wing, RH, 6" Nav Pad Std	A	SA-62090-162
Tip, Wing, RH, 6" Nav Pad Std	A	SA-62090-163
Tip, Wing, RH, 6" Nav Pad Std	A	SA-62090-164
Tip, Wing, RH, 6" Nav Pad Std	A	SA-62090-165
Tip, Wing, RH, 6" Nav Pad Std	A	SA-62090-166
Tip, Wing, RH, 6" Nav Pad Std	A	SA-62090-167
Tip, Wing, RH, 6" Nav Pad Std	A	SA-62090-168
Tip, Wing, RH, 6" Nav Pad Std	A	SA-62090-169
Tip, Wing, RH, 6" Nav Pad Std	A	SA-62090-170
Tip, Wing, RH, 6" Nav Pad Std	A	SA-62090-171
Tip, Wing, RH, 6" Nav Pad Std	A	SA-62090-172
Tip, Wing, RH, 6" Nav Pad Std	A	SA-62090-173
Tip, Wing, RH, 6" Nav Pad Std	A	SA-62090-174
Tip, Wing, RH, 6" Nav Pad Std	A	SA-62090-175
Tip, Wing, RH, 6" Nav Pad Std	A	SA-62090-176
Tip, Wing, RH, 6" Nav Pad Std	A	SA-62090-177
Tip, Wing, RH, 6" Nav Pad Std	A	SA-62090-178
Tip, Wing, RH, 6" Nav Pad Std	A	SA-62090-179
Tip, Wing, RH, 6" Nav Pad Std	A	SA-62090-180
Tip, Wing, RH, 6" Nav Pad Std	A	SA-62090-181
Tip, Wing, RH, 6" Nav Pad Std	A	SA-62090-182
Tip, Wing, RH, 6" Nav Pad Std	A	SA-62090-183
Tip, Wing, RH, 6" Nav Pad Std	A	SA-62090-184
Tip, Wing, RH, 6" Nav Pad Std		

Piper PA-24 thru PA-28 Series Aircraft

Exterior Plastic/Fiberglass Trim and Fairings

PA-28R-200, PA-28-201T, PA-28R-201, PA-28R-201T, PA-28RT-201, PA-28RT-201T

Description	Idx	Part Number
Cap, Fin	P	SA-38222-00 18 S
		60-27 1 T
		60-28 2 T
Cap, Vertical Fin, Rotating Beacon	P	GF65345-03 2 K
		SA-65345-003 2 S
Cap, Vertical Fin, Strobe Beacon	P	SA-99035-03 2 S
Cover, Nose Gear Fairing, Aft	E	GF35832-07 11 K
		60-63942-00-80A 3 T
Cover, Wing Bolt, LH	G	GF63942-00 3 K
		60-63942-01-80A 3 T
Cover, Wing Bolt, RH	G	GF63942-01 3 K
Door, Nose Gear, LH	D	GF67352-00 4 K
Door, Nose Gear, RH	D	GF67352-01 4 K
Fairing, Dorsal Fin, Aft	O	RD-0095-00 10 K
		K78913-07 12 K
		SA-99619-00 2 S
		60-19 5 T
		60-24 7 T
		RD-0096-00 10 K
		GF78913-00 12 K
Fairing, Dorsal Fin, Fwd	N	GF63517-00 5 K
		K65773-00 K
		SA-63517-00 1 S
		SA-99621-00 2 S
Fairing, Main Gear, LH or RH	C	K63338-00 11 K
Fairing, Main Wheel Access Panel, LH	B	GF79890-02 10 K
Fairing, Main Wheel Access Panel, RH	B	GF79890-03 10 K
Fairing, Main Wheel Shell, LH	B	GF79890-00 10 K
Fairing, Main Wheel Shell, RH	B	GF79890-01 10 K
Fairing, Main Wheel, Up, Fwd LH	B	GF79892-04 10 K
Fairing, Main Wheel, Up, Fwd RH	B	GF79892-05 10 K
Fairing, Main Wheel, Up, Aft LH	B	GF79892-10 10 K
Fairing, Main Wheel, Up, Aft RH	B	GF79892-09 10 K
Fairing, Nose Gear Strut, Fwd	F	GF35832-06 11 K
Fairing, Rudder, Lower, No Position Light	R	GF35885-10 8 K
Fairing, Rudder, Lower, w/ Light Receptacle	R	GF35885-03 8 K
Tailcone, Assembly	ST	RD-0099-00 2 K
		60-31 1 T
Tailcone, Lower	T	RD-0098-00 2 K
		60-30 1 T
Tailcone, Upper	S	RD-0097-00 2 K
		60-23 10 T
Tip, Stabilator LH or RH	V	RD-0094-00 8 K
		SA-63584-10 2 S
Tip, Stabilator LH or RH, Ext.	V	K2U65300-00 4 K
		60-33L-4-80A 14 T
		60-33L-6-80A 14 T
		GF35115-00 13 K
Tip, Wing, LH	A	RD-5010-L 11 K
		RD-6010-L 14 K
		SA-62090-00 1 S
		SA-78022-00 1 S
		60-33R-4-80A 14 T
		60-33R-6-80A 14 T
		GF35115-01 13 K
Tip, Wing, RH	A	RD-5010-R 11 K
		RD-6010-R 14 K
		SA-62090-01 1 S
		SA-78022-01 1 S
Tip, Wing, Hoerner Style (set)	A	11051-1 1 K
		GF62090-00 6 K
Tip, Wing, LH, 4" Nav Pad Only	A	SA-35115-00 12 S
		SA-36739-52 10 S
		GF62090-01 6 K
Tip, Wing, RH, 4" Nav Pad Only	A	SA-35115-01 12 S
		SA-36739-54 10 S
Tip, Wing, LH, 6" Nav Pad Only	A	SA-35115-10 12 S
		SA-36739-53 10 S
Tip, Wing, RH, 6" Nav Pad Only	A	SA-35115-11 12 S
		SA-36739-55 10 S

Continued from previous column

Description	Idx	Part Number
1 Model PA-28R-200 only		
2 Models PA-28R-200, PA-28R-201, PA-28R-201T only		
3 Models PA-28R-200, PA-28R-201, PA-28R-201T, PA-28RT-201 and PA-28RT-201T only		
4 Models PA-28R-200, PA-28R-201, PA-28R-201T, PA-28RT-201 only		
5 Model PA-28R-200 S/N 28R-35001 thru 28R-7135238		
6 Model PA-28R-200 S/N 28R-35001 thru 28R-7235000		
7 Model PA-28R-200 S/N 28R-35001 thru 28R-7135238 and Models PA-28-201T, PA-28R-201T		
8 Model PA-28R-200 S/N 28R-7135239 thru 28R-7635545 and Models PA-28-201T, PA-28R-201, PA-28R-201T		
9 Model PA-28R-200 S/N 28R-7235001 thru 28R-7635545 and Models PA-28R-201, PA-28R-201T		
10 Model PA-28R-200 S/N 28R-7235001 thru 28R-7635545 and Models PA-28-201T, PA-28R-201, PA-28R-201T		
11 Model PA-28-201T only		
12 Models PA-28RT-201 and PA-28RT-201T only		
13 Model PA-28RT-201 S/N 28R-7918001 thru 28R-8118092 and Model PA-28RT-201T S/N 28R-7931001 thru 28R-8131229		
14 Models PA-28R-201 and PA-28R-201T, PA-28RT-201, PA-28RT-201T only		
15 Models PA-28-201T, PA-28R-201 and PA-28R-201T, PA-28RT-201, PA-28RT-201T only		
16 Kit P/N RMD-005010-PA contains both LH and RH		
17 Kit P/N RMD-006010-PA contains both LH and RH		
18 Models PA-28R-201 and PA-28R-201T		
PA-28-235, PA-28-236		
Description	Idx	Part Number
		60-27 5 T
Cap, Vertical Fin, Rotating Beacon	P	60-28 5 T
		GF65345-03 K
		SA-65345-03 S
Cap, Vertical Fin, Strobe Beacon	P	SA-99035-03 S
Cover, Nose Gear Fairing, Aft	E	GF35946-02 10 K
		GF37926-04 10 K
Cover, Nose Gear Fairing, Fwd	E	GF37926-03 10 K
Cover, Wing Bolt, LH	G	60-63942-00-80A 5 T
		GF63942-00 6 K
Cover, Wing Bolt, RH	G	60-63942-01-80A 5 T
		GF63942-01 6 K
Fairing, Dorsal Fin, Aft	O	RD-0095-00 7 K
		SA-99619-00 S
		60-24 7 T
Fairing, Dorsal Fin, Fwd	N	RD-0096-00 7 K
		SA-99621-00 S
Fairing, Main Wheel LH	B	K65203-00 1 K
Fairing, Main Wheel RH	B	K65203-01 1 K
Fairing, Main Wheel Access Panel, LH	B	GF79890-02 10 K
Fairing, Main Wheel Access Panel, RH	B	GF79890-03 10 K
Fairing, Main Wheel Shell, LH	B	GF79890-00 10 K
Fairing, Main Wheel Shell, RH	B	GF79890-01 10 K
Fairing, Main Wheel, Up, Fwd LH	B	GF79892-04 10 K
Fairing, Main Wheel, Up, Fwd RH	B	GF79892-05 10 K
Fairing, Main Wheel, Up, Aft LH	B	GF79892-10 10 K
Fairing, Main Wheel, Up, Aft RH	B	GF79892-09 10 K
Fairing, Main Gear, LH or RH	C	K63338-00 K
Fairing, Nose Wheel 6.00 X 6 w/o Door	F	GF35944-014 10 K
Fairing, Nose Wheel	F	K65331-00 2 K
Fairing, Nose Gear Strut, Fwd	F	GF35931-06 12 K
Fairing, Nose Gear Strut, Aft	F	GF35931-07 12 K
Floor Trim	M	60-18 3 K
Molding, Wing Root	L	K65773-00 K
Tailcone, Assembly	ST	RD-0099-00 6 K
		60-31 6 T
Tailcone, Lower	T	RD-0098-00 6 K
		60-30 6 T
Tailcone, Upper	S	RD-0097-00 6 K
		60-23 9 T
Tip, Stabilator LH or RH	V	RD-0094-00 8 K
		SA-63584-10 S
Tip, Stabilator LH or RH, Ext.	V	K2U65300-00 4 K
		60-33L-4-80A 10 T
		60-33L-6-80A 10 T
Tip, Wing, LH	A	GF35115-00 11 K
		RD-5010-L 11 K
		RD-6010-L 10 K
		60-33R-4-80A 10 T
		60-33R-6-80A 10 T
		GF35115-01 11 K
		RD-5010-R 11 K
		RD-6010-R 10 K

Continued from previous column

Description	Idx	Part Number
Tip, Wing, LH, 4" Nav Pad Only	A	SA-35115-00 10 S
Tip, Wing, RH, 4" Nav Pad Only	A	SA-35115-01 10 S
Tip, Wing, LH, 6" Nav Pad Only	A	SA-35115-10 10 S
Tip, Wing, RH, 6" Nav Pad Only	A	SA-35115-11 10 S
1 Model PA-28-235 only		
2 Model PA-28-235 S/N 28-10001 thru 28-7310187		
3 Model PA-28-235 S/N 28-10003 thru 28-10719		
4 Model PA-28-235 S/N 28-10003 thru 28-7210033		
5 Model PA-28-235 S/N 28-10003 thru 28-7710089		
6 Model PA-28-235 S/N 28-10003 thru 28-7710089 and Model PA-28-236		
7 Model PA-28-235 S/N 28-7210001 thru 28-7710089 and Model PA-28-236		
8 Model PA-28-235 S/N 28-7210034 thru 28-7710089 and Model PA-28-236		
9 Model PA-28-235 S/N 28-7310001 thru 28-7710089 and Model PA-28-236		
10 Model PA-28-236 only		
11 Model PA-28-236 S/N 28-7911001 thru 28-8611008		
12 Model PA-28-236 S/N 28-8111081 thru 28-8611008		
13 Kit P/N RMD-005010-PA contains both LH and RH		
14 Kit P/N RMD-006010-PA contains both LH and RH		

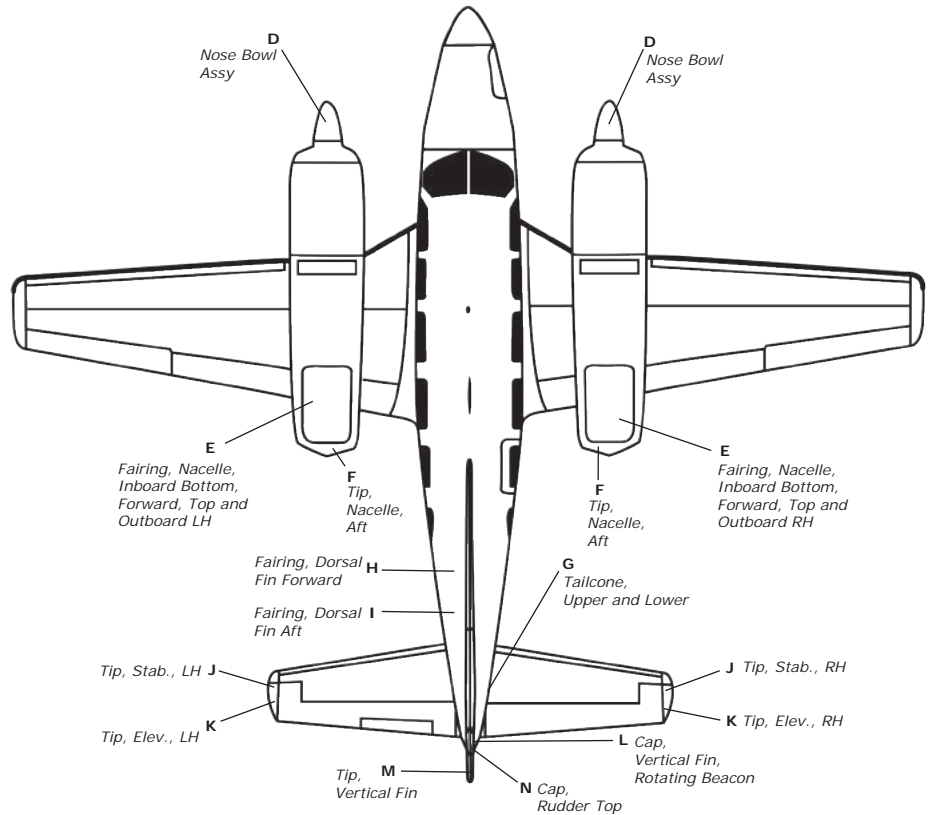
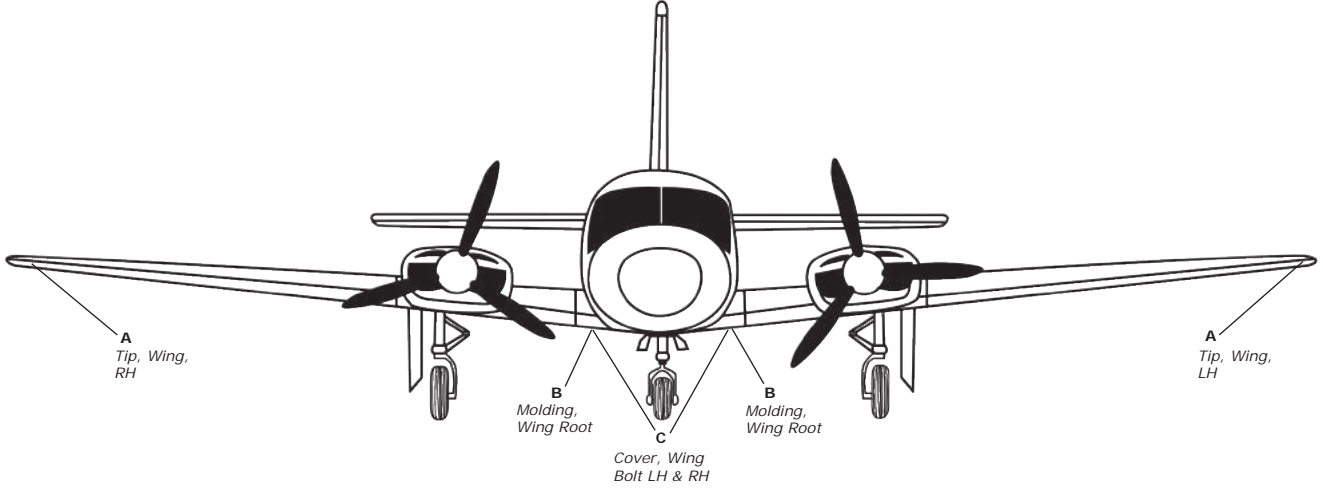
Eligibility continues in next column

Eligibility continues in next column

 Manufacturer/Material: **K** Knots 2U/Fiberglass, **T** Texas AeroPlastics/ABS Plastic Parts

Piper PA-31, PA-34, PA-44 and PA-60 Series Aircraft

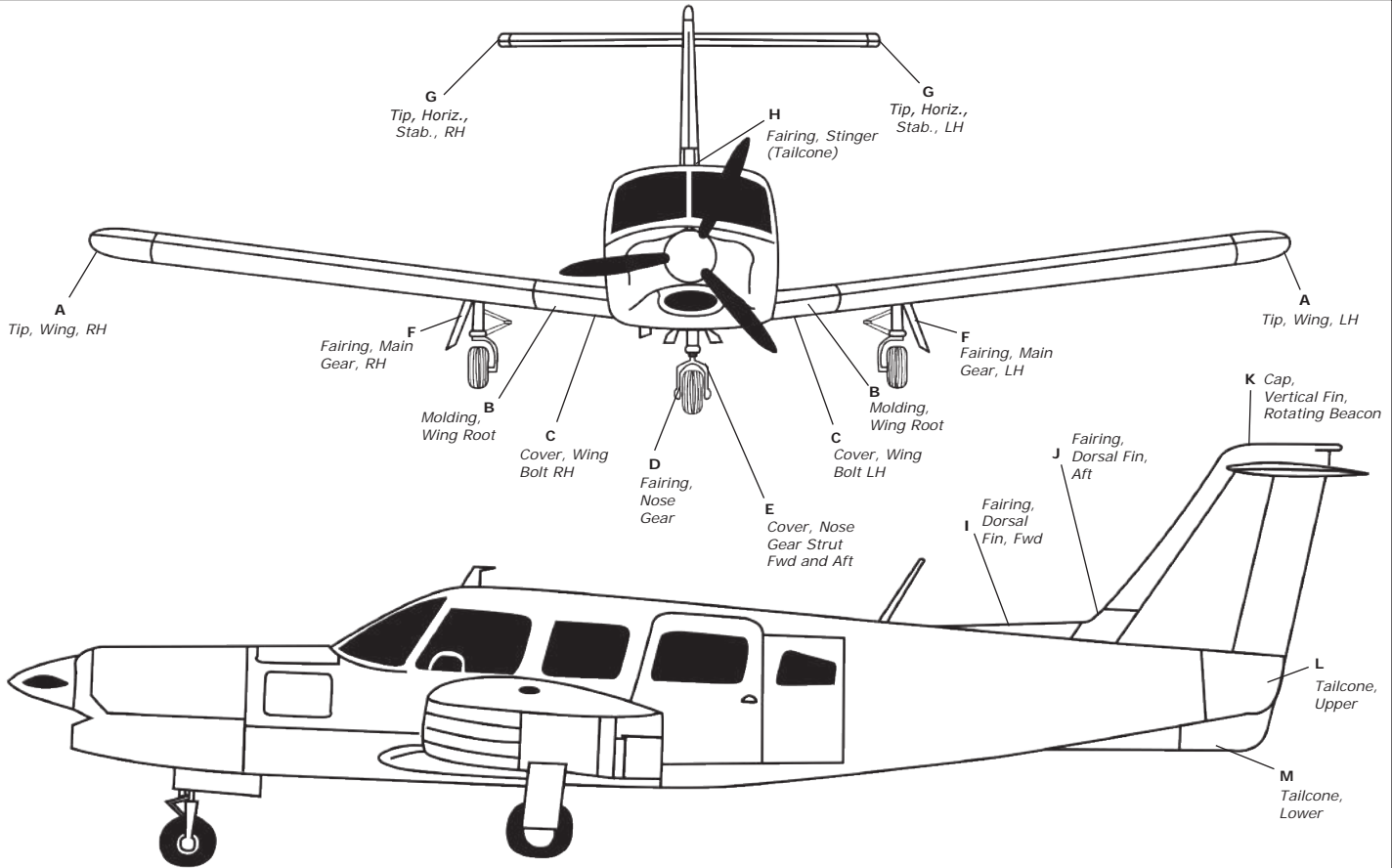
Exterior Plastic/Fiberglass
Trim and Fairings



PA-31, PA-31-300, PA-31-325, PA-31-350, PA-31P, PA31P-350, PA-31T, PA-31T1, PA-31T2, PA-31T3		
Description	Idx	Part Number
Fairing, Nacelle, Inbrd Btm, LH	E	GF42455-04 K
Fairing, Nacelle, Inbrd Btm, RH	E	GF42455-05 K
Fairing, Nacelle, Inbrd Fwd, LH	E	GF42455-02 K
Fairing, Nacelle, Inbrd Fwd, RH	E	GF42455-03 K
Fairing, Nacelle, Inbrd Top, LH	E	GF42455-00 K
Fairing, Nacelle, Inbrd Top, RH	E	GF42455-01 K
Fairing, Nacelle, Outboard, LH	E	GF42426-00 K
Fairing, Nacelle, Outboard, RH	E	GF42426-01 K
Tip, Elevator, Leading Edge	K	GF43786-00 1 K
Tip, Elevator, LH	K	GF43741-00 1 K
Tip, Elevator, RH	K	GF43741-01 1 K
Tip, Stabilizer, LH or RH	J	GF40364-02 1 K
Tip, Vertical Fin	M	GF44943-00 2 K
Tip, Wing, Lens LH	A	GF42027-04 5 K
Tip, Wing, Lens RH	A	GF42027-05 5 K
Tip, Wing, LH, with Reco Light	A	GF55802-12 3 K
Tip, Wing, RH, with Reco Light	A	GF55802-13 3 K
1 Models PA-31, PA-31-300, PA-31-325 and PA-31-350 S/N 31-5 and On		
2 Model PA-31-350 S/N 31-7305053 and On, Model PA-31P-350 S/N 31P-8414001 and On		
3 Model PA-31-350 S/N 31-7852001 and On		
4 Models PA-31-300, PA-31-325, PA-31-350		
5 Models PA-31, PA-31-300, PA-31-325 S/N 31-5 thru 31-7300961, PA-31-350 S/N 31-5001 thru 73605052, PA-31P S/N 31P-3 thru 31P-7300146		
PA-34-200, PA-34-200T, PA-34-220T		
Description	Idx	Part Number
Cap, Rudder Top	N	GF95907-00 1 K
Cover, Wing Bolt, LH	C	60-63942-00-80A T GF63942-00 K
Cover, Wing Bolt, RH	C	60-63942-01-80A T GF63942-01 K
Fairing, Tailcone, Lower	G	GF96338-08 K
Fairing, Tailcone, Upper	G	GF96338-04 K
Moulding, Wing Root	B	K65773-00 K
Nose Bowl Assembly	D	GF67998 2 K
Tip, Horizontal Stab., LH or RH	J	GF95620-07 K
Tip, Wing, LH	A	RD-5010-L 4 K
Tip, Wing, RH	A	RD-5010-R 4 K
Tip, Wing, LH, 4" Nav Pad Only	A	GF62090-00 3 K
Tip, Wing, RH, 4" Nav Pad Only	A	GF62090-01 3 K
Tip, Wing, LH, 4" Nav Pad Std	A	GF78022-00 K
Tip, Wing, RH, 4" Nav Pad Std	A	GF78022-01 K
Tip, Wing, LH, 6" Nav Pad Std	A	GF78022-02 K
Tip, Wing, RH, 6" Nav Pad Std	A	GF78022-03 K
1 Models PA-34-200, PA-34-200T		
2 Models PA-34-200, PA-34-200T and PA-34-220T, S/N 3448038 and On		
3 Models PA-34-200 S/N 34-7250001 thru 32-7250370, PA-34-200T, PA-34-220T		
4 Sold in pairs only, Kit P/N RMD-005010-PA		
Manufacturer/Material: K Knots 2U/Fiberglass, T Texas AeroPlastics/ABS Plastic Parts		

PA-44-180, PA-44-180T		
Description	Idx	Part Number
Cover, Wing Bolt, LH	C	60-63942-00-80A 1 T GF63942-00 K
Cover, Wing Bolt, RH	C	60-63942-01-80A 1 T GF63942-01 K
Fairing, Dorsal Fin, Aft	I	K78913-07 K
Fairing, Dorsal Fin, Fwd	H	GF78913-00 K
Fairing, Tailcone, w/o receptacle	G	K36721-003 K
Fairing, Tailcone, with receptacle	G	K86597-02 2 K
Moulding, Wing Root	B	K65773-00 K
Tip, Nacelle, Aft	F	GF86298-02 K
Tip, Stabilizer, LH or RH	J	RD-0094-00 K
1 Model PA-44-180		
2 Model PA-44-180T		

PA-60-600, PA-60-601, PA-60-601P, PA-60-602P, PA60-700P		
Description	Idx	Part Number
Tip, Horizontal, LH or RH	K	GF220021-903 K
Tip, Vertical, w/o Beacon	M	GF220021-505 1 K
Tip, Vertical, with Beacon	M	GF220021-913 1 K
Tip Long, Wing Short, LH	A	GF200038-901 3 K
Tip Long, Wing Short, RH	A	GF200038-902 3 K
Tip Short, Wing Long, LH	A	GF200102-901 2 K
Tip Short, Wing Long, RH	A	GF200102-902 2 K
1 Models PA-60-600, PA-60-601, PA-60-601P, PA-60-602P		
2 Models PA-60-601, PA-60-601P, PA-60-602P, PA-60-700P		
3 Models PA-60-601 S/N 0341 and On, PA-60-601P, S/N 0213 and On		



PA-32-260, PA-32-300, PA-32-301, PA-32-301T, PA-32-301FT, PA-32-301XTC, PA-32R-300, PA-32R-301, PA-32R-301T, PA-32RT-300, PA-32RT-300T, PA-32S-300

Description	Idx	Part Number	Description	Idx	Part Number
Cap, Fin	K	SA-38222-00	Fairing, Main Gear, Up., Fwd, RH	F	GF79892-05
Cap, Vertical Fin, Rotating Beacon	K	GF65345-03	Fairing, Main Gear, Up., Aft, RH	F	GF79892-09
Cap, Vertical Fin, Strobe Beacon	K	SA-65345-03	Fairing, Main Gear, Up., Aft, LH	F	GF79892-10
Cover, Nose Gear Strut, Aft		GF35838-10	Fairing, Nose Gear, 6.00 X 6 w/o Door	D	GF35944-014
		GF36559-803	Fairing, Nose Gear, 6.00 X 6 w/Door	D	GF35944-14
		GF37891-807	Fairing, Stinger (Tailcone)	H	K78912-11
		GF37926-04	Fairing, Tailcone, Upper	L	60-30
		GF38700-02	Fairing, Tailcone, Lower	M	RD-0097-00
Cover, Nose Gear Strut, Fwd		GF36559-804	Fairing, Tailcone, Lower	M	60-31
		GF37891-806	Moulding, Wing Root	B	RD-0098-00
		GF37926-03	Tip, Horizontal Stab., LH or RH	G	60-23
Cover, Wing Bolt, LH		60-63942-00-80A	Tip, Wing, LH	A	RD-0094-00
		GF63942-00	Tip, Wing, RH	A	SA63584-10
Cover, Wing Bolt, RH		60-63942-01-80A	TIP, Wing, LH, 4" Nav-Pad	A	GF35115-10
		GF63942-01	TIP, Wing, RH, 4" Nav-Pad	A	GF35115-11
Fairing, Fin		SA-63517-00	TIP, Wing, LH, 6" Nav-Pad	A	SA-35115-00
		K78913-07	TIP, Wing, RH, 6" Nav-Pad	A	SA-35115-01
		RD-0095-00	TIP, Wing, LH, 6" Nav-Pad	A	SA-35115-10
Fairing, Dorsal Fin, Aft		SA-99621-00	TIP, Wing, RH, 6" Nav-Pad	A	SA-35115-11
		60-19			
Fairing, Dorsal Fin, Fwd		60-24			
		GF63517-00			
		GF78913-00			
		RD-0096-00			
		SA-99621-00			
Fairing, Main Gear, LH or RH		K63338-00			
		K65203-00			
		K65203-01			
		GF79890-02			
		GF79890-03			
		GF79890-00			
		GF79890-01			
		GF79892-04			

Continued from previous column

10 Models PA-32-260 S/N 32-7800001 and On, PA-32-300 S/N 32-7740113 and On

11 Models PA-32-260 S/N 32-7800001 thru 32-7800008, PA-32-300 S/N 32-7840001 thru 32-7940290 and PA-32-301

12 Models PA-32-260 S/N 32-7800001 and On, PA-32-300 S/N 32-7840001 and On, PA-32-301, PA-32-301T

13 Models PA-32-260 S/N 32-7200061 and Up, PA-32-300 S/N 32-7240001 and Up, PA-32R-300, PA-32R-300T, PA-32-301FT, PA-32-301XTC, PA-32R-301, PA-32-301, PA-32-301T

14 Model PA-32-300, PA-32-301T

15 PA-32-300 S/N 32-40000 thru 32-7140086

16 Models PA-32-300, PA-32R-300, PA-32-301 S/N 32-8006002 thru 32-8106110, PA-32-301T S/N 32-8024001 thru 32-8124046, PA-32R-301 S/N 32R-8013001 thru 32R-8113133 and PA-32R-301T S/N 32R-8029001 thru 32R-8129124

17 Models PA-32-260, PA-32-300, PA-32-300S, PA-32R-300, PA-32RT-300, PA-32RT-300T, PA-32-301FT, PA-32-301XTC, PA-32R-301, PA-32R-301T PA-32-301, PA-32-301T

18 Models PA-32-301 and PA-32-301T

19 Models PA-32-301 S/N 32-8006002 thru 32-8006116, 32-8106110, 32-8206050, 32-8306032, 32-8406020, PA-32-301T S/N 32-8024001 thru 32-8024062, S/Ns 32-8124046, 32-8224024, 32-8324016, 32-8424002 32-8524001 and On

20 Models PA-32R-301 S/N 32R-8113071 thru 32R-8613005, 3213001 thru 3213041, 3213098 excluding 3213029, PA-32R-301T S/N 32R-8129073 and up, PA-32-301FT, PA-32-301XTC, PA-32-301, PA-32-301T, PA-32R-301 S/N 3213029, 3213042 thru 3246999, 32R-8013001 thru 32R-8113070, PA-32R-301T S/N 32R-8029001 thru 32R-8129072,

21 Models PA-32-260 S/N 32-7800001 and On, PA-32-300 S/N 32-7840001 and On, PA-32-301, PA-32-301FT, PA-32-301XTC

22 Models PA-32RT-300 and PA-32RT-300T

23 W/O Door 6.00 X 6 Tire, 1978 and up

24 With 5.00 X 5 Tire

25 All Models except PA-32-301FT, PA-32-301XTC and PA-32S-300

26 Models PA-32-301, PA-32-301T, PA-32R-300, PA32R-301, PA-32R-301T

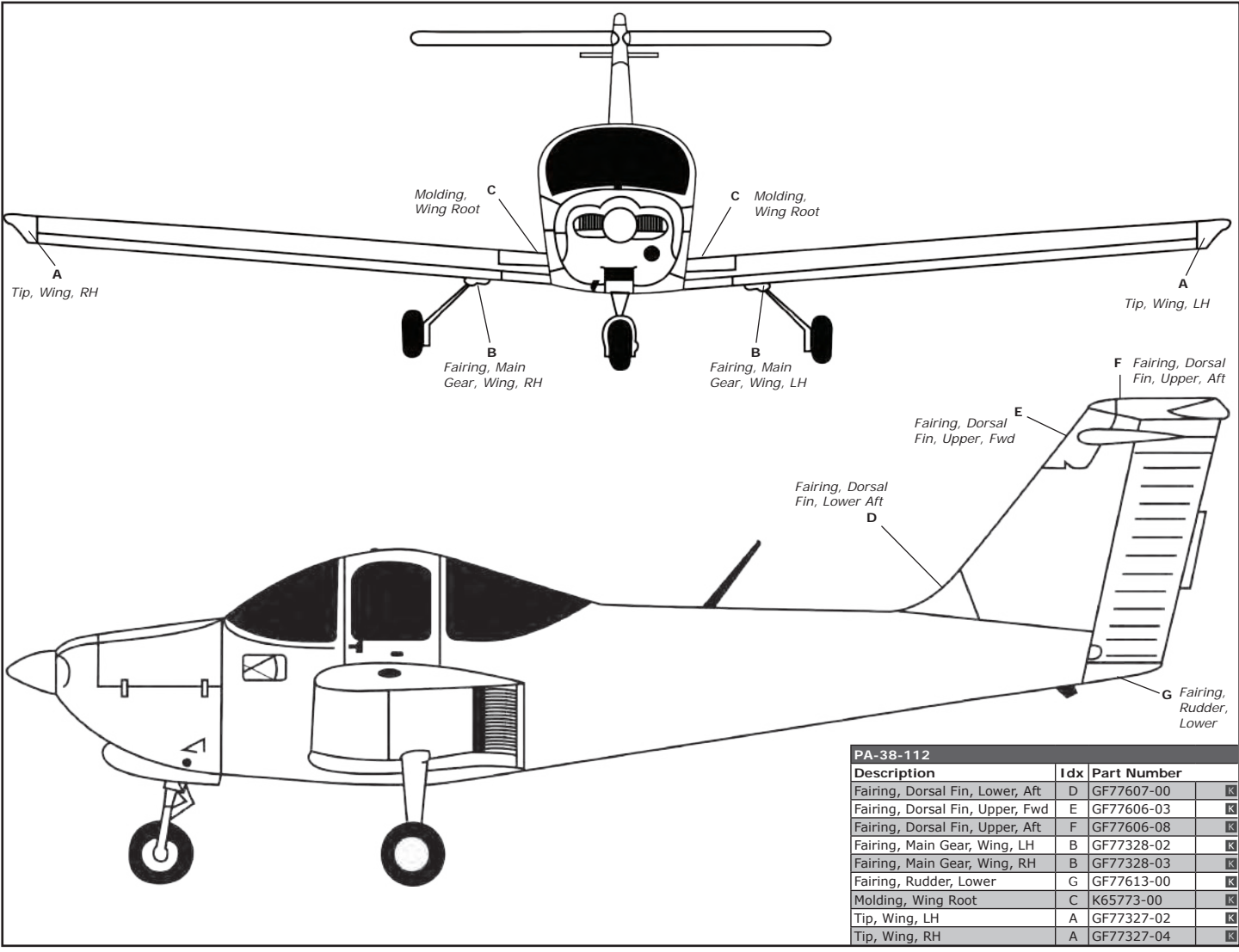
27 PA-32-301, PA-32-301T, PA32R-301, PA-32R-301T

Continued on next column

Manufacturer/Material: **K** Knots 2U/Fiberglass, **T** Texas AeroPlastics/ABS Plastic Parts

Exterior Plastic and Fiberglass Trim and Fairings Piper PA38 Series Aircraft

Exterior Plastic/Fiberglass
Trim and Fairings



PA-38-112			
Description	Idx	Part Number	
Fairing, Dorsal Fin, Lower, Aft	D	GF77607-00	K
Fairing, Dorsal Fin, Upper, Fwd	E	GF77606-03	K
Fairing, Dorsal Fin, Upper, Aft	F	GF77606-08	K
Fairing, Main Gear, Wing, LH	B	GF77328-02	K
Fairing, Main Gear, Wing, RH	B	GF77328-03	K
Fairing, Rudder, Lower	G	GF77613-00	K
Molding, Wing Root	C	K65773-00	K
Tip, Wing, LH	A	GF77327-02	K
Tip, Wing, RH	A	GF77327-04	K

Cirrus and Beechcraft Aircraft

Cirrus SR20-SR22 Series Aircraft			
Fairing, Nose Gear Wheel Pant	K15312-001	1	K
	K26873-001	2	K
1 Models SR20 S/N 1005 thru 1430, 1476 thru 1885 and SR22 S/N 0528 thru 2437 2 Models SR20 S/N 1886 and On, SR22 S/N 2438 and On, and Model SR22T 19A, A23-19, B19, M19A, 23, A23, A23A, B23, C23, A23-24, A24R, B24R, C24R			
Description	Part Number		
Drain Cover, Fuel Sump	GF169-420028-11	1	K
Fairing, Dorsal	GF169-440013-11		K
Fairing, Lower Cowl	GF169-910013-157	2	K
Seal (Storm Window)	ADS1200-17		K
Tail Cone	GF169-4411-S	3	K
Tip, Stabilizer Left	GF169-620001-27	4	K
Tip, Stabilizer Right	GF169-620000-113	5	K
Tip, Vertical Stabilizer	GF169-620001-28	4	K
Tip, Wing, Left	GF169-620000-114	5	K
Tip, Wing, Right	K169-640000-97		K
	GF169-1100-00		K
	GF169-1100-01		K
1 Models B19, C23, C24R 2 Models A23-19, B19, 23, A23, A23A, B23, C23, A24 3 Models 19A, A23-19, B19, M19A, 23, A23, A23A, A23-24, A24R, B24R, C24R 4 All Models and S/Ns except Model 23, S/N M-2, M-4 thru M-554 5 Model 23 S/N M-2, M-4 thru M554			

35-33, 35-A33, 35-B33, 35-C33, 35-C33A, C33, C33A, E33, E33A, E33C, F33, F33A, F33C, G33			
Description	Part Number		
Fairing, Dorsal	K33-440011-27		K
Fairing, Dorsal Fin	K33-600011-1	1	K
Seal (Storm Window)	K33-600012-3	2	K
Tip, Wing, Hoerner Style	ADS1200-17		K
	11052-1	3	K
1 Model 35-B33 2 Models 35-C33, 35-C33A 3 Model 35-C33 S/N CD-814 thru CD-1026 (Set of two) 35, 35R, A35, B35, C35, D35, E35, F35, G35, H35, J35, K35, M35, N35, P35, R35, S35, V35, V35A, V35B			
Description	Part Number		
Seal (Storm Window)	ADS1200-17		K
Tip, Wing, Hoerner Style	ADS1200-17		K
	11052-1	1	K
1 Models A35, B35, C35, D35, E35, F35, G35, H35, J35, K35, M35, N35, P35, S35 36, A36, A36TC, B36TC, G36			
Description	Part Number		
Seal (Storm Window)	ADS1200-17		K
Fairing, Dorsal	K33-440011-27		K
50, B50, C50, D50, D50A, D50B, D50C, D50E, E50, F50, G50, H50, J50			
Description	Part Number		
Seal (Storm Window)	ADS1200-17		K
Tip, Wing, Hoerner Style	K33-440011-27		K
	11052-1	1	K
1 Models B50, C50, D50, D50A, D50B, E50, F50, G50 (Set of two)			

95-55, 95-A55, 95-B55, 95-B55A, 95-B55B, 95-C55, 95-C55A, D55, D55A, E55, E55A, 56TC, A56TC, 58, 58TC, 58P, G58, 76, 77, 95, B95, B95A, D95A, E95			
Description	Part Number		
Fairing, Dorsal Fin	95-440015-17K	1	K
Fairing, Engine Nacelle, Outbrd, LH	GF96110010-17	2	K
Fairing, Engine Nacelle, Outbrd, RH	GF96110010-19	2	K
Fairing, Engine Nacelle, Inboard LH	GF96110010-21	2	K
Fairing, Engine Nacelle, Inboard, RH	GF96110010-23	2	K
Saddle, Dorsal	GF96-4415-00	6	K
Seal (Storm Window)	ADS1200-17		K
	GF105-1010-00	4	K
Tip, Wing, Left	GF108-1700-00	5	K
	GF105-1010-01	4	K
Tip, Wing, Right	GF108-1700-01	5	K
1 Models B95, B95A, D95A, E95 2 Model 95-A55 S/N TC-191 thru TC-349, TC-351 thru TC-370, TC-372 thru TC-379, Models 95-B55 and 95-B55A S/N TC-371, TC-502 thru TC-1392, TC-1397 thru TC-2456, and Models 95-B55B, 95-C55, 95-C55A (Except S/N TE-50), D55, D55A, E55, E55A, 56TC, A56TC, 58, 58TC, 58P 3 All models except 58P, 76 and 77 4 Model 76 5 Model 77 6 Model 95-B55 S/N TC-371, TC-502 thru TC-1392, TC-1397 thru TC-2456, and Models E55 and 58			

Manufacturer/Material: **K** Knots 2U/Fiberglass, **T** Texas Aeroplastics/ABS Plastic Parts



Texas Aeroplastics

Texas Aeroplastics replacement parts are made from top grade ABS plastic with an average service life of 15-20 years when properly fitted and professionally painted. ABS plastic parts are repairable and most have been trimmed for easy installation. All interior parts are fire rated, top-grade Royalite with an ivory or off-white haircell finish.

Premier Aerospace Services and Technology, Inc.

Premier Aerospace Services and Technology, Inc. is a state of the art plastic components manufacturer providing high quality FAA-PMA replacement parts manufactured using PVC/Acrylic.

Improve the appearance and performance of your aircraft!

Interior plastic trim parts for Beechcraft, Mooney, Cessna, and Piper series aircraft.

Eligibility tables with item descriptions, figure reference and part numbers can be found on the following pages.

Go to www.mcfarlaneaviation.com for more details about specific part numbers.

Visit our website to view our latest additions and product images!



Cessna Aircraft



Cessna Series Aircraft (see pages 308-313 for Piper Aircraft)

Eligibility tables for Cessna series aircraft with item descriptions, figure reference and part numbers can be found on pages 304-307.

150, 150A, B, C, D, E S/N 17001 thru 15061532		
Description	Fig	Part Number
Cover Assembly	N/A	P0511482-1 2 P
Cover, Window Trim, Rear	132	P0400118-50 4 P
Mirror Assembly	N/A	P0500312-2 P
Shield	N/A	P0511482-2 3 P
Shield	162	P0511482-4 4 P
Shield, LH	N/A	P0411974-1 1 P
Shield, RH	N/A	P0411974-2 1 P
1 Add -LB for light beige or -LG for light gray 2 S/N 15059701 thru 15061532 3 S/N 15059701 thru 15060087 4 S/N 15060088 thru 15061532		
150F, G, H, J, K, L, M S/N 15061533 thru 15079405		
Description	Fig	Part Number
Center Console	21	26-23 13 T
Cover Assy.	163	P0511482-9 1 3 P
	153	P0415010-1 1 10 P
Cover Assy., Overhead Console	159	P0470114-1 1 10 P
Cover, Center Strip	155	P0415021-16 1 9 P
Cover, Control	144	P0413463-1 7 P
Cover, Window Trim Rear	132	P0400118-50 1 4 P
	150	P0414030-2 1 9 P
Door, Glove Box	143	P0413458-1 7
	145	P0413525-10 10
Door, Map Case	146	P0413546-14 12
Mirror Assembly	N/A	P0500312-2 14 P
Panel, Baggage Cmpmt.	12	26-26 8 T
Panel, Baggage Cmpmt. Aft	135	P0400129-15 1 2 P
Panel, Baggage Cmpmt. LH	134	P0400129-13 1 2 P
Panel, Baggage Cmpmt. Lower	N/A	P0400121-15 1 12 P
Panel, Baggage Cmpmt. RH	133	P0400129-12 1 2 P
	139	P0400129-58 1 5 P
Panel, Baggage Cmpmt. Upper	154	P0415021-13 1 10 P
Panel, Baggage Shelf	136	P0400129-19 1 2 P
Panel, Cowl LH	157	P0415021-5 1 12 P
Panel, Cowl RH	156	P0415021-34 1 10 P
Eligibility continues in next column		

Eligibility continued from previous column		
Panel, Door, LH	45	66-150LD 2 T
	46	67-82-150LD 6 T
	148	P0414026-27 1 12 P
	49	66-150RD 2 T
Panel, Door, RH	50	67-82-150RD 6 T
	149	P0414026-28 1 12 P
Panel, Interior Seatback	102	26-19 13 T
Post, Door, Rear, LH	138	P0400129-5 1 2 P
Post, Door, Rear, RH	137	P0400129-4 1 2 P
Shield	162	P0511482-4 1 4 P
Shield, Overhead Console	152	P0414069-1 1 12 P
Shield, RH	142	P0411974-6 1 4 P
Tray, Shoulder Harness	103	20-14 6 T
Trim, Headliner	147	P0414016-2 1 9 P
1 Add -LB for light beige or -LG for light gray 2 S/N 15061533 thru 15064532 only 3 15061533 thru 15069308 4 15061533 thru 15071128 5 15064533 thru 15072003 6 S/N 15064533 and on 7 S/N 15069309 and on 8 S/N 15071129 thru 15075781 only 9 15071129 and on 10 15072004 and on 11 S/N 15074851 and on 12 15075782 and on 13 S/N 15077006 and on 14 15061533 thru 15075781 and A15000001 thru A1500523 F150F, G, H, J, K, L, M S/N F150-0001 thru F15001428		
Description	Fig	Part Number
Tray, Shoulder Harness	103	20-14 11 T
1 S/N F15001014 and on 152, A152 S/N 15279406 thru 15286033, A1520735 thru A1521049		
Description	Fig	Part Number
Center Console	21	26-23 4 T
Cover	153	P0415010-1 1 2 P
Cover Assy. Overhead Console	151	P0414068-3 1 2 P
Cover, Center Strip	155	P0415021-16 1 2 P
Eligibility continues on next column		

Eligibility continued from previous column		
Cover, Post, LH	98	26-13L 3 T
Cover, Post, RH	100	26-13R 3 T
Cover, Window Trim, Rear	150	P0414030-2 1 2 P
Door, Map Case	146	P0413546-14 2 P
Headliner Assy	N/A	P04144010-20 1 P
Panel, Baggage Comp., Up	154	P0415021-13 1 2 P
Panel, Cowl, RH	156	P0415021-34 1 2 P
Panel, Interior Seatback	102	26-19 2 T
Pocket, RH	158	P0415034-2 1 2 P
Shield, Overhead Console	152	P0414069-1 1 2 P
Tray, Shoulder Harness	103	20-14 T
Trim, Headliner	147	P0414016-2 1 2 P
1 Add -LB for light beige or -LG for light gray 2 Model 152 only 3 S/N 15276406 thru 15285939 and A1520753 thru A1521049 4 S/N 15279406 thru 15285594 only		
170, 170A, B S/N 18000 thru 27169		
Description	Fig	Part Number
Panel, Door, LH	47	27-32-03L T
	48	30-0715064-380A T
Panel, Door, RH	51	27-32-03R T
	52	30-0715064-480A T
172, 172A, B, C, D, E, F, G, H, I, K, L, M, N, P, O, R, S S/N 28000 thru 172S9999		
Description	Fig	Part Number
Arm Rest Support	4	28-01 31 T
Arm Rest Support, LH	N/A	P2415003-1 1 33 P
Arm Rest Support, RH	N/A	P2415003-2 1 33 P
Arm Rest Support, Rear, LH	N/A	P2415005-1 1 33 P
Arm Rest Support, Rear, RH	N/A	P2415005-2 1 33 P
Baggage Comp. Upper	18	P0515015-22 1 21 P
Baggage Door Cover	5	P0715079-7 1 6 P
Baggage Door Frame, Aft	6	P0515018-14 1 24 P
Baggage Door Frame Cover Fwd	7	P0500210-95 1 10 P
Baggage Door Hinge Cover	9	P0515036-8 1 37 P
Center Post Cover	24	P0500210-198 1 6 P
Eligibility continues on next page		

Interior Plastic Trim Cessna Aircraft



Cessna eligibility continued from previous page.

Eligibility continued from previous page			
Description	Fig	Part Number	
Panel, Door, LH	45	66-150LD	2 T
Console, Cent. w/o Rudder Trim	22	28-0500233-80A	12 T
Console, Center w/ Rudder Trim	23	28-0500233RT-80A	12 T
Cover Assembly	63	P0414013-19	1 20 P
	65	P0511326-1	1 30 P
Cover, Console	N/A	P0500233-14	83 P
Cover, Console w/Rudder Trim	N/A	P0500233-15	83 P
Cover, Emergency Locator Trans	N/A	P0515047-1	1 23 P
Cover, Closeout Door Post, LH	31	P0719032-7	1 36 P
Cover, Closeout Door Post, RH	32	P0719032-8	1 36 P
Cover, Post, LH	99	28-13L	83 T
Cover, Post, RH	101	28-12R	83 T
Cover, Speaker	104	P0511327-3	1 22 P
	105	P0514068-2	1 18 P
Door Assembly, Glove Box	N/A	P0513085-17	29 P
Door Assembly, Map Case	N/A	P0513390-29	14 P
	N/A	P0413484-10	1 14 P
	35	P0413484-22	1 21 P
Door Post, LH	36	P0515050-9	1 27 P
	37	P0719032-29	1 37 P
	41	P0515026-8	1 23 P
Door Post, RH	40	P0515026-20	1 34 P
	42	P0719032-28	1 37 P
	N/A	P07111333-62	1 14 P
	N/A	P07111333-66	1 20 P
Door Post, LH Aft	33	P0515028-1	1 21 P
Door Post, RH Aft	38	P0515028-2	1 22 P
Door Post, LH Rear	34	P0500210-81	1 5 P
Door Post, RH Rear	39	P0500210-82	1 5 P
Door Post, LH Shield Assembly	N/A	P0413484-18	1 20 P
Door Post, RH Shield Assembly	N/A	P0515026-6	1 20 P
Escutcheon Assembly LH	N/A	P0415023-1	1 22 P
Escutcheon Assembly RH	N/A	P0415023-3	1 22 P
Molding, Baggage Comp.	10	P0515012-17	1 23 P
Molding, Baggage Comp., Low	11	P0515012-18	1 24 P
Molding, Rear Window	118	P0515053-8	1 34 P
Molding, Rear Wind., Upper	120	P0500210-132	1 16 P
	121	P0515014-8	1 23 P
Molding, Rear Wind., Upper, LH	N/A	P0500210-39	1 4 P
Molding, Rear Wind., Lower	119	P0500210-135	1 17 P
Molding, Rear Wind., Lower, LH	N/A	P0500210-43	1 4 P
Molding, Side Wind., LH Light	N/A	P0500210-41	3 P
Molding, Side Wind., RH Light	N/A	P0500210-40	1 3 P
Panel, Aft LH	87	P0519081-13	1 37 P
Panel, Aft RH	89	P0519081-14	1 37 P
Panel, Upper Aft LH	88	P0519078-21	1 37 P
Panel, Upper Aft RH	90	P0519078-22	1 37 P
Panel Accent, Aft, LH	59	P0519078-27	1 37 P
Panel Accent, Aft, RH	61	P0519078-28	1 37 P
Panel Accent, Fwd, LH	60	P0519081-15	1 37 P
Panel Accent, Fwd, RH	62	P0519081-16	1 37 P
Panel Baggage Comp., Rear	13	P0500210-42	1 5 P
	14	P0500210-97	1 11 P
Panel Baggage Comp. RH	N/A	P2415014-4	1 32 P
	15	P2415014-16	1 37 P
Panel Baggage Comp. Upper	16	P2415019-15	1 24 P
Panel, Cable Access, LH	19	P0519044-3	1 37 P
Panel, Cable Access, RH	20	P0519044-4	1 37 P
	47	27-32-03L	1 T
Panel, Door, LH	48	30-0715064-380A	2 T
	N/A	P0519078-17	1 37 P
	51	27-32-03R	1 T
Panel, Door, RH	52	30-0715064-480A	2 T
	30	P0519078-18	1 37 P
Panel Door Accent, LH	25	P0519078-25	1 37 P
Panel Door Accent, RH	26	P0519078-26	1 37 P
Panel Door Insert, LH	28	P0519095-1	1 37 P
Panel Door Insert, RH	29	P0519095-2	1 37 P
Panel Door Insert, Aft LH	84	P0519095-3	1 37 P
Panel Door Insert, Aft RH	85	P0519095-4	1 37 P
Panel, Kick, Fwd LH	57	P0519081-11	1 37 P
Panel, Kick, Fwd RH	58	P0519081-12	1 37 P
Plug, Door Handle, LH	53	P0515075-79	1 37 P
Plug, Door Handle, RH	54	P0515075-78	1 37 P
Reel, Cover Plate	97	P0519076-4	1 37 P
Seat Back, Trim Assy, Rear	164	P0514109-1	1 22 P
	160	P0511326-5	1 30 P
Shield	N/A	P0414013-12	1 19 P
Shield Assembly, LH	N/A	P0413484-2	1 7 P
Shield Assembly, RH	94	P07111333-50	1 13 P
Shield, Instrument Light	92	P0414013-15	1 20 P
Shield, LH	N/A	P07111333-27	1 2 P
Shield, RH	N/A	P07111333-18	1 2 P
Tiara Assembly	N/A	P05141133-1	1 21 P
	165	P0514127-1	1 30 P
Tiara Assembly, RH	N/A	P0514127-3	1 28 P
	103	20-14	26 T
Tray, Shoulder Harness	166	P0515010-10	1 19 P

Eligibility continued from previous column			
Description	Fig	Part Number	
Trim, LH	95	P0515024-25	1 37 P
Trim, RH	96	P0515024-26	1 37 P
Window, Side, Aft, LH	122	P0515027-21	1 34 P
Window, Side, Aft, RH	126	P0515027-22	1 34 P
Window, Side, LH	123	P0514071-1	1 16 P
	124	P0515027-3	1 21 P
	N/A	P0514012-2	1 14 P
Window, Side, RH	127	P0514071-2	1 16 P
	128	P0515027-4	1 21 P
1 Add -LB for light beige or -LG for light gray			
2 S/N 17249545 thru 17254892 only			
3 S/N 17249545 thru 17253392 only			
4 S/N 17249545 thru 17257161 only			
5 S/N 17249545 thru 17267584 only			
6 S/N 17249545 and on			
7 S/N 17250573 thru 17259223 only			
8 S/N 17250573 thru 17267584 only			
9 S/N 17250573 thru 17276654 only			
10 S/N 17251823 thru 17267584 only			
11 S/N 17251823 thru 17274009 only			
12 S/N 17251823 thru 17276654 only			
13 S/N 17254893 thru 17259223 only			
14 S/N 17257162 thru 17259223 only			
15 S/N 17257162 thru 17267584 only			
16 S/N 17257162 thru 17267584 only			
17 S/N 17257162 thru 17274009 only			
18 S/N 17259224 thru 17267584 only			
19 S/N 17259224 thru 17276211 only			
20 S/N 17260759 thru 17267584 only			
21 S/N 17260759 thru 17274009 only			
22 S/N 17260759 thru 17276654 only			
23 S/N 17260759 and on, includes model 172Q			
24 S/N 17260759 and on, does not include model 172Q			
25 S/N 17263459 thru 17276654 only			
26 S/N 17263459 and on			
27 S/N 17267585 and on			
28 S/N 17267585 thru S/N 17274009 only			
29 S/N 17267585 thru S/N 17275034 only			
30 S/N 17267585 thru S/N 17276654 only			
31 S/N 17272885 thru 17275759 only			
32 S/N 17274010 thru 17275759 only			
33 S/N 17274010 thru 17276654 only			
34 S/N 17274010 and on			
35 S/N 17275035 and on			
36 S/N 17280001 and on (172R,S)			
37 Add -0 for 1997-2000 year models and -N for 2001 and up			
172RG, R172K			
S/N All			
Description	Fig	Part Number	
Console, Cabin Top	N/A	P2415019-2	1 1 P
Cover Assembly, Elt	169	P0515047-3	1 2 P
Molding, Window, Rear, Lower	N/A	P2415014-1	1 2 P
Panel, Avionics Circuit Breaker	N/A	P2413062-1	1 2 P
Panel, Baggage Comp.	167	P0515015-6	1 1 P
Panel, Baggage Comp.	168	P0515019-5	1 1 P
Panel, Baggage Comp. RH	N/A	P2415014-2	1 19 P
Tray, Shoulder Harness	103	20-14	1 T
1 Add -LB for light beige or -LG for light gray			
177A, B, 177RG			
S/N All			
Description	Fig	Part Number	
Cover Assembly, Cabin Top	N/A	P1706044-3	1 4 P
Molding, Baggage Door	N/A	P1715019-24	1 3 P
Panel, Seat Back	N/A	P1714089-1	1 1 P
Trim, Door	N/A	P1715042-27	1 3 P
Trim, Panel, Forward, LH	N/A	P1715018-6	1 2 P
Trim, Panel, Forward, RH	N/A	P1715018-5	1 2 P
1 Add -LB for light beige or -LG for light gray			
2 Models 177A and B only			
3 Model 177B only			
4 Models 177B and 177RG only			
180, 180A, B, C, D, E, F, G, H, J, K			
S/N 30000 thru 18053203			
Description	Fig	Part Number	
Panel, Door, LH	47	27-32-03L	1 1 T
	48	30-0715064-3-80A	1 1 T
Panel, Door, RH	51	27-32-03R	1 1 T
	52	30-0715064-4-80A	1 1 T
Panel, Front, RH	183	P0715064-16	2 3 P
1 S/N 30000 thru 18052770 only			
2 S/N 18052285 thru 18052770 only			
3 Add -LB for light beige or -LG for light gray			
182, 182A, B, C, D, E, F, G, H, J, K, L, M, N, P, Q, R, S			
S/N 33000 thru 18268586			
Description	Fig	Part Number	
Armrest Support, LH	N/A	P2215026-1	1 28 P
Armrest Support, RH	N/A	P2215026-2	1 28 P
Armrest, Rear, LH	N/A	P2215027-1	1 28 P
Armrest, Rear, RH	N/A	P2215027-2	1 28 P
Baggage Doorpost Cover	N/A	P0700702-9	1 15 P
Cover, Access	N/A	P0714051-8	1 21 P

Eligibility continued from previous column			
Description	Fig	Part Number	
Cover Assembly	N/A	P0711778-5	1 16 P
	N/A	P0713811-5	1 7 P
	N/A	P0713811-7	8 1 P
Cover, Brow	N/A	P0713791-3	1 7 P
Cover, LH	172	P0715024-1	1 22 P
Cover, RH	173	P0715024-2	1 22 P
Cover Side Window, LH Light	N/A	P0700702-15-434	1 3 P
Cover Side Window, RH Light	N/A	P0700702-16-434	1 3 P
Cover, Side Window Frame, LH	N/A	P0715009-1	1 13 P
Door Assy, Map Compartment	27	P0713777-3	7 P
Door Handle, Plug, LH	185	P0715096-13	1 29 P
Door Handle, Plug, RH	186	P0715096-14	1 29 P
Escutcheon, Dome Light	N/A	P0711779-2	1 22 P
Escutcheon, LH	N/A	P1715047-3	1 22 P
Escutcheon, RH	N/A	P1715047-4	1 22 P
Headliner Assembly	N/A	P0714051-1	1 23 P
Headliner Assembly, Molded	N/A	P0714002-7	1 19 P
	74	P0715032-19	1 27 P
	75	P0715044-1	1 18 P
	77	P0715044-9	1 19 P
	76	P0715044-11	1 23 P
	78	P0715032-18	1 27 P
Molding, RH	80	P0715044-2	1 18 P
	81	P0715044-8	1 19 P
	79	P0715044-10	1 23 P
Molding, Doorpost, LH	N/A	P0715022-3	1 14 P
Molding Door Sill	179	P0715044-5	1 16 P
	N/A	P0715008-3	1 27 P
Molding, Door Window, LH	175	P0715032-15	1 19 P
	N/A	P0715008-4	1 12 P
Molding, Door Window, RH	176	P0715032-16	1 14 P
Molding Assy, Door Window, RH Openable	113	P0715069-1	1 24 P
	N/A	P0715032-3	1 18 P
Molding, Window, LH	N/A	P0715032-9	1 18 P
	177	P0715044-3	1 30 P
	106	P0715044-15	1 25 P
	N/A	P0715022-10	1 13 P
	N/A	P0715032-4	1 18 P
Molding, Window, RH	174	P0715032-10	1 18 P
	178	P0715044-4	1 30 P
	107	P0715044-16	1 25 P
Molding, Window Aft	N/A	P0700702-12	1 4 P
	170	P0715010-2	1 20 P
Molding, Window, Up. Aft, LH	108	P0715010-3	1 23 P
Molding, Window, Up. Aft, RH	109	P0715010-4	1 23 P
Panel Assembly, LH	N/A	P0715023-3	1 19 P
Panel Assembly, RH	171	P0715023-16	1 19 P
	N/A	P0700702-10	1 15 P
Panel, Assembly, Aft Wall	N/A	P0715023-1	1 15 P
	N/A	P0715023-5	1 16 P
	182	P0715053-3	1 19 P
Panel, Assembly, Baggage LH	82	P0715088-1	1 27 P
Panel, Baggage, Aft	N/A	P2215012-3	1 28 P
Panel, Baggage Compartment	N/A	P0700702-6	1 6 P
Panel, Baggage Wall, Aft	184	P0715089-1	1 27 P
Panel, Canted	N/A	P0700702-11	1 15 P
	N/A	P0700702-21	1 19 P
Panel, Canted, Baggage Comp.	86	P0715080-1	1 25 P
	47	27-32-03L	2 1 T
Panel, Door, LH	48	30-0715064-380A	2 T
	N/A	P0715096-19	1 29 P
	51	27-32-03R	2 T
Panel, Door, RH	52	30-0715064-480A	2 T
	N/A	P0715096-20	1 29 P
Panel, Trim	91	P0715052-6-532	1 23 P
Panel, Trim, LH	180	P0715052-1	1 19 P
Panel, Trim, RH	181	P0715052-2	1 19 P
Panel, Trim, Lower LH	N/A	P2215022-9	1 28 P
Panel, Trim, Lower RH	N/A	P2215022-10	1 28 P
Panel, Trim, Upper LH	N/A	P2215022-11	1 28 P
Panel, Trim, Upper RH	N/A	P2215022-12	1 28 P
Shield, LH	N/A	P1215045-5	1 13 P
Shield, RH	N/A	P1215045-6	1 13 P
	N/A	P0715007-1	1 10 P
Shield Doorpost LH	N/A	P0715007-5	1 14 P
	N/A	P0715022-1	1 13 P
Shield Doorpost LH, Light	43	P0700702-17	1 8 P
Shield Doorpost RH	N/A	P0715007-3	1 11 P
	N/A	P0715022-2	1 13 P
Shield Doorpost RH, Light	44	P0700702-18	1 9 P
Shield, Glare Assembly	N/A	P0713169-1	18 P
Splice	N/A	P0715049-1	1 22 P

Eligibility continues on next page
 Manufacturer/Material: P Premier Aerospace Services and Technology/PVC/Acrylic T Texas Aeroplastics/ABS Plastic Parts
 Items on this page: ⚠ WARNING: Cancer and/or Reproductive Harm - www.P65Warnings.ca.gov
 Go to www.mcfarlaneaviation.com for more details about specific part numbers.

Interior Plastic Trim

Cessna eligibility continued from previous page.

Interior Plastic Trim

Eligibility continued from previous page		
Description	Fig	Part Number
Trim Assembly, Seat Back, LH	N/A	P0714023-1 1 20 P
	N/A	P0715004-1 1 10 P
Trim Assembly, Seat Back, RH	N/A	P0715016-1 1 15 P
	N/A	P0714023-2 1 26 P
Trim, Strip, LH	N/A	P0715022-7 1 15 P
1 Add -LB for light beige or -LG for light gray		
2 S/N 33000 thru 18260055 only		
3 S/N 18255059 thru 18255844 only		
4 S/N 18255059 thru 18259305 only		
5 S/N 18255059 thru 18260825 only		
6 S/N 18255059 thru 18261425 only		
7 S/N 18255846 thru 18257625 only		
8 S/N 18256685 thru 18257625 only		
9 S/N 18256685 thru 18258505 only		
10 S/N 18258506 thru 18260055 only		
11 S/N 18258506 thru 18260825 only		
12 S/N 18259306 thru 18260055 only		
13 S/N 18259306 thru 18265175 only		
14 S/N 18260056 thru 18260825 only		
15 S/N 18260056 thru 18265175 only		
16 S/N 18260056 thru 18267715 only		
17 S/N 18262466 thru 18264295 only		
18 S/N 18260826 thru 18265175 only		
19 S/N 18260826 thru 18267715 only		
20 S/Ns 18260826 thru 18267715 and R1820001 thru R18202041		
21 S/Ns 18260826 thru 18268586 and R1820001 thru R18202041		
22 S/Ns 18260826 thru 18267715, R1820001 thru R18202041		
23 S/Ns 18265176 thru 18267715 and R1820001 thru R18202041		
24 S/N 18260826 thru 18268586 only		
25 S/N 18263476 thru 18267715 only		
26 S/N 18267716 thru 18268586 only		
27 S/N 18267716 thru 18268586 and Models FR182, R182, T182 and TR182		
28 Model 182S only		
29 S/N 18260826 thru 18267715 & F1820001 thru F18200169		
30 S/N 18264296 thru 18265965 only		
185, 185A, B, C, D, E, A185E, F		
S/N 185-0001 thru 18504448		
Description	Fig	Part Number
Panel, Door, LH	47	27-32-03L T
With built in arm rest	48	30-0715064-380A T
Panel, Door, RH	51	27-32-03R T
With built in arm rest	52	30-0715064-480A T
206H, U206, U206A, B, C, D, E, F, G, P206, P206A, T206H, TU206F, G		
S/N 20608001 thru 20699999		
S/N U206-0276 thru U20601700		
S/N P206-0002 thru P206-0306		
S/N T20608001 thru T206999999		
Description	Fig	Part Number
Curtain Assy, Baggage	N/A	P1215063-7 1 3 P
Door Assy., Map Compartment	27	P0713777-3 3 P
Eligibility continues on next column		













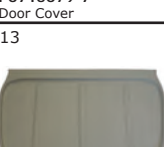






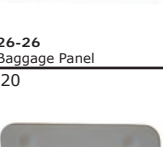



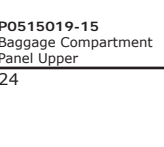
Eligibility continued from previous column		
Description	Fig	Part Number
Molding Assembly	N/A	P1215087-4 2 P
Molding, LH	N/A	P1215046-12 1 2 P
Cover, Window Post, LH	N/A	P1200659-25 1 4 P
Cover, Window Post, RH	N/A	P1200659-26 1 4 P
Molding, Baggage Comp. Top	N/A	P1215061-2 1 4 P
Molding, Cabin Aft	N/A	P1215060-1 1 4 P
Molding, Cargo Door	N/A	P1215043-6 1 4 P
Molding, Cargo Door, Aft	N/A	P1215043-4 1 4 P
Molding, Center LH	N/A	P1200656-20 1 4 P
Molding, Rear LH	N/A	P1200656-17 1 4 P
	N/A	P1200656-18 1 4 P
Molding, Rear RH	201	P1200656-22 1 2 P
Molding, Window Fwd RH	N/A	P1215105-2 1 4 P
Panel, Aft LH	N/A	P1215043-23 1 4 P
Panel, Door Trim	N/A	P1215043-28 1 4 P
Panel, Fwd LH	N/A	P1215043-1 1 4 P
Panel, Fwd RH	N/A	P1215043-2 1 4 P
Panel, Rear RH	N/A	P1215043-24 1 4 P
1 Add -LB for light beige or -LG for light gray		
2 Models 206H and T206H only		
3 Models U206, U206A, B, C, D, E, P206, P206A only		
4 Models U206F, G, TU206F, G only		
210B, C, F, K, L, M, N, R, T210F, K, L, M, N, R		
Description	Fig	Part Number
Cover Assy., Overhead Console	N/A	P1200243-1 1 2 P
Cover, Baggage Door	196	P1200456-19 1 6 P
Cover, Cabin Step, White	202	P1211513-2 2 P
Cover, Panel, Rear	199	P1200456-9 1 5 P
Cover, Pedestal, Black	N/A	P1213474-2 5 P
Escutcheon, Air Vent, Rear	188	P1200241-1 1 2 P
Escutcheon, Center Vent	N/A	P1200239-1 1 2 P
Escutcheon, Door Handle, LH	N/A	P0705042-3 1 3 P
Escutcheon, Door Handle, RH	N/A	P0705042-4 1 3 P
Frame, Side Window, Aft, LH	N/A	P1200456-7 1 5 P
Frame, Side Window, Aft, RH	198	P1200456-6 1 5 P
Frame, Side Window, LH	195	P1200456-1 1 5 P
Frame, Side Window, RH	197	P1200456-2 1 5 P
Molding, Aft, LH	N/A	P1215109-21 1 3 P
Molding, Aft, RH	N/A	P1215109-22 1 3 P
Molding, Door Window, Up., LH	N/A	P1215130-1 1 3 P
Molding, Door Window, Up., RH	N/A	P1215130-2 1 3 P
Molding, Forward, LH	N/A	P1215109-19 1 3 P
Molding, Forward, RH	N/A	P1215109-20 1 3 P
Panel, Assy Aft, LH	190	P1200455-11 1 5 P
Panel, Assy Aft, RH	191	P1200455-12 1 5 P
Panel, Assy Door, LH	194	P1200455-9 1 5 P
Panel, Assy Door, RH	189	P1200455-10 1 5 P
Panel, Assy Sidewall, Fwd LH	192	P1200455-7 1 5 P
Panel, Assy Sidewall, Fwd RH	193	P1200455-8 1 5 P
Panel, Avionics Circuit Breaker	N/A	P1270092-1 1 4 P
Eligibility continues on next column		

Eligibility continued from previous column		
Description	Fig	Part Number
Shield, Doorpost LH	187	P0770725-8 1 7 P
Shield, Doorpost RH	200	P1200535-4 1 7 P
Shield, Door, Upper, LH	N/A	P1215109-3 1 2 P
Shield, Door, Upper, RH	N/A	P1215109-4 1 2 P
Trim, Shield	203	P1215066-1 1 2 P
	204	P1215186-1 1 8 P
1 Add -LB for light beige or -LG for light gray		
2 Models 210L, M, N, T210L, M, N only		
3 Models 210M, N, T210M, N only		
4 Models 210M and T210M only		
5 Model 210B only		
6 Models 210B, C only		
7 Models 210F, T210F only		
8 Models 210N, R, T210N, R only		
401, 401A, B, 402, 402A, B		
Description	Fig	Part Number
Cover Assy, Cockpit Light and Oxygen	66	P5017516-8 1 6 P
Cover Assy, Rheostat Controls	67	P5017561-10 1 3 P
Cover, Inside, LH	70	P5014016-5 1 2 P
Cover, Inside, RH	71	P5014016-6 1 2 P
Cover, Outside, LH	72	P5014016-3 1 2 P
Cover, Outside, RH	73	P5014016-4 1 2 P
Cup, Handle	56	P5011128-1 1 5 P
Trim Assy, Upper Cargo Door	55	P5214018-7 1 3 P
Trim, Window, Aft	125	P5014046-10 1 3 P
Trim, Window, Center Aft	110	P5014046-8 1 3 P
Trim, Window, Center Fwd	111	P5014046-5 1 3 P
	112	P5014046-6 1 3 P
Trim, Window, Pilot's	117	P5014044-3 1 4 P
Trim, Window, Co-Pilot's	116	P5014044-4 1 4 P
Trim Emergency Window	114	P5014046-4 1 3 P
Trim Forward Window	115	P5014046-3 1 3 P
Trim, Upper Door Window, LH	129	P5014046-42 1 3 P
Trim, Windshield, Center	130	P5014045-5 1 6 P
Trim, Windshield, Upper	131	P5014045-3 1 6 P
1 Add LB for light beige or LG for light gray		
2 Models 401, 401A, B		
3 Models 401, 401A, 402A, B		
4 Models 401, 401A, B, 402, 402A		
5 Models 401, 401A, 402, 402A, B		
6 Models 401, 401A, B, 402, 402A, B		
421B, C		
Description	Fig	Part Number
Cover Assembly	64	P5119137-2 1 3 P
Cover Face, LH	68	P5114534-5 1 2 P
Cover Face, RH	69	P5114534-6 1 2 P
Panel Assy, Armrest, Pilot's	2	P5119057-13 1 3 P
Panel Assy, Armrest, Co-Pilot's	1	P5119139-4 1 3 P
Storage, Armrest, Pilot's	3	P5219153-1 1 3 P
Storage, Armrest, Co-Pilot's	205	P5219153-2 1 3 P
1 Add -LB for light beige or -LG for light gray		
2 Models 421B, C		
3 Models 421C		

Manufacturer/Material: P Premier Aerospace Services and Technology/PVC/Acrylic T Texas Aeroplastics/ABS Plastic Parts

Cessna Interior Plastic images continue on next page.

Photos are not to scale or relative to each other

 P5119139-4 Panel Assy Co-Pilot	 P5119057-13 Panel Assy Pilot	 P5219153-1 Storage Pilot's	 28-01 Arm Rest Support	 P0715079-7 Door Cover	 P0515018-14 Door Frame Aft	 P0500210-95 Door Frame Cover Fwd	 P0515036-2 Door Frame Cover Fwd
 P0515036-8 Door Hinge Cover	 P0515012-17 Baggage Compartment	 P0515012-18 Baggage Comp. Lower	 26-26 Baggage Panel	 P0500210-42 Baggage Panel Rear	 P0500210-97 Baggage Compartment Panel RH	 P2415014-16 Baggage Compartment Panel RH	 P0515019-15 Baggage Compartment Panel Upper
 P0715081-1 Baggage Compartment Panel	 P0515015-22 Baggage Compartment Upper	 P0519044-3 Cable Access Panel LH	 P0519044-4 Cable Access Panel RH	 26-23 Center Console	 28-0500233-80A Center Console w/Trim	 28-0500233RT-80A Center Console w/Trim	 P0500210-198 Center Post Cover

Interior Plastic Trim Cessna Aircraft

Cessna Interior Plastic images continued from previous page.

Photos are not to scale or relative to each other

25  P0519078-25 Door Accent Panel, LH	26  P0519078-26 Door Accent Panel, RH	27  P0713777-3 Assy. Map Compartment	28  P0519095-1 Door Insert Panel, LH	29  P0519095-2 Door Insert Panel, RH	30  P0519078-18 Door Panel, RH	31  P0719032-7 Post, Cover Closeout LH	32  P0719032-8 Post, Cover Closeout RH
33  P0515028-1 Door Post, LH Aft	34  P0500210-81 Door Post, LH Rear	35  P0413484-22 Door Post, LH	36  P0515050-9 Door Post, LH	37  P0719032-29 Door Post, LH	38  P0515028-2 Door Post RH Aft	39  P0500210-82 Door Post RH Rear	40  P0515026-20 Door Post, RH
41  P0515026-8 Door Post, RH	42  P0719032-28 Door Post, RH	43  P0700702-17 Post, Shield, Light LH	44  P0700702-18 Post,Shield, Light RH	45  66-150LD Door Panel LH	46  67-82-150LD Door Panel LH	47  27-32-03L Door Panel LH	48  30-0715064-380A Door Panel LH
49  66-150RD Door Panel RH	50  67-82-150RD Door Panel RH	51  27-32-03R Door Panel RH	52  30-0715064-480A Door Panel RH	53  P0515075-79 Plug, Door Handle, LH	54  P0515075-78 Plug, Door Handle, RH	55  P5214018-7 Trim Assy, Upper Cargo	56  P5011128-1 Handle Cup
57  P0519081-11 Kick Panel LH Fwd	58  P0519081-12 Kick Panel RH Fwd	59  P0519078-27 Accent Panel, LH Aft	60  P0519081-15 Accent Panel, LH Fwd	61  P0519078-28 Accent Panel, RH Aft	62  P0519081-16 Accent Panel, RH Fwd	63  P0414013-19 Cover Assembly	64  P5119137-2 Cover Assembly
65  P0511326-1 Cover Assembly	66  P5017516-8 Cover Assy Cockpit Lgt	67  P5017561-10 Cover Assy Rheostat	68  P5114534-5 Cover Face, LH	69  P5114534-6 Cover Face, RH	70  P5014016-5 Cover Inside, LH	71  P5014016-6 Cover Inside, RH	72  P5014016-3 Cover Outside, LH
73  P5014016-4 Cover Outside, RH	74  P0715032-19 Molding LH	75  P0715044-1 Molding LH	76  P0715044-11 Molding LH	77  P0715044-9 Molding LH	78  P0715032-18 Molding RH	79  P0715044-10 Molding RH	80  P0715044-2 Molding RH
81  P0715044-8 Molding RH	82  P0715088-1 Panel Assembly, LH	83  P0715087-1 Panel Assembly, RH	84  P0519095-3 Panel Insert, Aft LH	85  P0519095-4 Panel Insert, Aft RH	86  P0715080-1 Panel, Canted	87  P0519081-13 Panel, Aft LH	88  P0519078-21 Panel Upper Aft, LH

Cessna Interior Plastic images continued from previous page.

Photos are not to scale or relative to each other

Interior Plastic Trim

89  P0519081-14 Panel, Aft RH	90  P0519078-22 Panel Upper Aft, RH	91  P0715052-6-532 Panel, Trim	92  P0414013-15 Shield	93  P05111326-5 Shield	94  P0711133-50 Shield Assy., RH	95  P0515024-25 Trim, LH	96  P0515024-26 Trim, RH
97  P0519076-4 Reel Cover Plate	98  26-13L Cover, Post, LH	99  28-13L Cover, Post, LH	100  26-13R Cover, Post, RH	101  28-12R Cover, Post, RH	102  26-19 Panel, Interior Seatback	103  20-14 Tray	104  P0511327-3 Cover
105  P0514068-2 Cover	106  P0715044-15 Molding, LH	107  P0715044-16 Molding, RH	108  P0715010-3 Molding, Upper Aft, LH	109  P0715010-4 Molding, Upper Aft, RH	110  P5014046-8 Trim	111  P5014046-5 Trim	112  P5014046-6 Trim
113  P0715069-1 Molding, RH	114  P5014046-4 Trim	115  P5014046-3 Trim	116  P5014044-4 Trim	117  P5014044-3 Trim	118  P0515053-8 Molding	119  P0500210-135 Molding, Lower	120  P0500210-132 Molding, Upper
121  P0515014-8 Molding, Upper	122  P0515027-21 Aft, LH	123  P0514071-1 LH	124  P0515027-3 LH	125  P5014046-10 Aft	126  P0515027-22 Aft, RH	127  P0514071-2 RH	128  P0515027-4 RH
129  P5014046-42 Trim, LH	130  P5014045-5 Trim, Center	131  P5014045-3 Trim, Upper	132  P0400118-50 Cover, Window Trim, Rear	133  P0400129-12 Panel, Baggage Cmpt RH	134  P0400129-13 Panel, Baggage Cmpt LH	135  P0400129-15 Panel, Baggage Cmpt Aft	136  P0400129-19 Panel, Baggage Shelf
137  P0400129-4 Post, Door, Rear, RH	138  P0400129-5 Post, Door, Rear, LH	139  P0400129-58 Panel, Baggage Cmpt Up	140  P0411974-1 Shield, LH	141  P0411974-2 Shield, RH	142  P0411974-6 Shield, RH	143  P0413458-1 Door, Glove Box	144  P0413463-1 Cover, Control
145  P0413525-10 Door, Glove Box	146  P0413546-14 Door, Map Case	147  P0414016-2 Trim, Headliner	148  P0414026-27 Panel, Door, LH	149  P0414026-28 Panel, Door, RH	150  P0414030-2 Cover, Window Trim, Rear	151  P0414068-3 Cover Assy, Overhead Con	152  P0414069-1 Shield, Overhead Console

Interior Plastic Trim Cessna Aircraft

Cessna Interior Plastic images continued from previous page.

Photos are not to scale or relative to each other

153  P0415010-1 Cover Assy	154  P0415021-13 Panel, Baggage, Cmppt Up	155  P0415021-16 Cover, Center Strip	156  P0415021-34 Panel, Cowl RH	157  P0415021-5 Panel, Cowl LH	158  P0415034-2 Pocket, RH	159  P0470114-1 Cover, Assy, Overhead Con	160  P0511326-5 Shield
161  P0511482-1 Cover Assy	162  P0511482-4 Shield	163  P0511482-9 Cover, Assy	164  P0514109-1 Seat Back, Trim Assy, Rear	165  P0514127-1 Tiara Assy	166  P0515010-10 Tray, Shoulder Harness	167  P0515015-6 Panel, Baggage Comp	168  P0515019-5 Panel, Baggage Comp
169  P0515047-3 Cover Assy, Elt	170  P0715010-2 Molding, Window Aft	171  P0715023-16 Panel Assy, RH	172  P0715024-1 Cover, LH	173  P0715024-2 Cover, RH	174  P0715032-10 Molding, Window RH	175  P0715032-15 Molding, Door Window LH	176  P0715032-16 Molding, Door Window RH
177  P0715044-3 Molding Window, LH	178  P0715044-4 Molding Window, RH	179  P0715044-5 Molding Door Sill	180  P0715052-1 Panel, Trim LH	181  P0715052-2 Panel, Trim RH	182  P0715053-3 Panel, Assy Aft Wall	183  P0715064-16 Panel, Front RH	184  P0715089-1 Panel, Baggage Wall Aft
185  P0715096-13 Door Handle, Plug LH	186  P0715096-14 Door Handle, Plug RH	187  P0770725-8 Shield, Doorpost LH	188  P1200241-1 Escutcheon, Air Vent Rear	189  P1200455-10 Panel, Assy Door RH	190  P1200455-11 Panel, Assy Aft LH	191  P1200455-12 Panel, Assy Aft RH	192  P1200455-7 Panel, Assy Sidewall Fwd LH
193  P1200455-8 Panel, Assy Sidewall Fwd RH	194  P1200455-9 Panel, Assy Door LH	195  P1200456-1 Frame, Side Window LH	196  P1200456-19 Cover, Baggage Door	197  P1200456-2 Frame, Side Window RH	198  P1200456-6 Frame, Side Window Aft RH	199  P1200456-9 Cover, Panel, Rear	200  P1200535-4 Shield, Doorpost RH
201  P1200656-22 Molding, Rear RH	202  P1211513-2 Cover, Cabin Step, White	203  P1215066-1 Trim, Shield	204  P1215186-1 Trim, Shield	205  P5219153-2 Storage, Armrest Co-Plot			

Interior Plastic Trim

Piper Aircraft

Interior Plastic Trim



Eligibility tables for Piper series aircraft with item descriptions, figure reference and part numbers can be found on pages 310-313.

PA-24, PA-24-250, PA-24-260, PA-24-400		
Description	Fig	Part Number
Box Assembly, Cabin Air Outlet	N/A	P25574-00 4 P
Molding Assy., Front Window	N/A	P25416-00 4 P
Molding, Cabin Door Window	N/A	P23314-06 P
Molding, Center Window, RH	N/A	P20758-09 1 P
Molding, Front Window, LH	N/A	P25418-00 4 P
Molding, Front Window, RH	N/A	P23308-06 3 P
Molding, Front Window, RH	N/A	P23314-02 3 P
Molding, Rear Window, LH	N/A	P25417-00 4 P
Panel Assy	N/A	P22452-00 2 P
1 Models PA-24 and PA-24-250 only		
2 Models PA-24, PA-24-250 and PA-24-260 only		
3 Models PA-24-250, PA-24-260 and PA-24-400 only		
4 Model PA-24-260 only		
5 Model PA-24-400 only		
PA-28-140, -150, -160, -180, PA-28R-180		
Description	Fig	Part Number
Armrest, LH	1	H65238-10 1 6 P
Armrest, RH	2	H65238-11 1 6 P
Battery Box Cover	4	H35201-00 3 P
Blade, Sun Visor	126	H65866-00 3 P
Cap, Assist Strap	3	H79456-00 P
Compass Housing Assembly	14	H79600-00 P
Console, Overhead	19	H99500-06 3 P
Cover, Console	16	H67330-10 4 P
Cover, Elt Switch	25	H79463 4 P
Cover, Engine Control	26	H67232-40-41 5 P
Cover, Exhaust Vent	133	H99252-10 P
	31	60-65224-80A 3 T
	32	60-67785-17-80A 2 T
Cover, Flap Handle	35	H65224-07 P
	36	H67593-09 9 P
	37	H67785-17 P
Cover, Fuel Selector	52	H99635-09 2 P
Cover, Instrument Panel	57	H65891 2 P
	58	H67228-04 2 P
Cover, Instr. Panel, LH	59	H67228-09 3 P
	69	H66918-16 3 P
	72	H66983-12 9 P
Cover, Instr. Panel, Lower, LH	76	H79527-02 3 P
Cover, Instr. Panel, Lower RH	62	H67229-06 3 P
Cover, Instr. Panel, RH	85	H99959-04 3 P
Cover, Instr. Panel, Upper RH	86	H99959-05 2 P
	79	H67227-12 8 P
Cover, Instr. Panel, Upper, LH	83	H79044-06 2 P
Cover, LH	91	H67313-02 10 P
Cover, RH	92	H67314-02 10 P
Cover, Radio Cooling	114	H79404-00 2 P
Cover, Rudder Trim	115	H63295-05 P
Cover, Seat Back	120	H78041 1 5 P
Cover, Shoulder Harness, LH	122	H78054-02 5 P
Cover, Shoulder Harness, RH	123	H99801-02 5 P
Cover, Shoulder Hrns, Rear, LH	169	P99920-02 10 P
Cover, Shoulder Hrns, Rear, RH	170	P99920-03 10 P
Cover, Transponder Antenna	N/A	P99991-00 3 P
Cover, Trim	94	H65674-15 P

Eligibility continues on next column

Eligibility continued from previous column		
Description	Fig	Part Number
Cover, Window Frame, Cntr, LH	168	P99904-05 8 P
Cover, Window, RH	142	H79171-02 2 P
Cover, Window, Rear LH	140	H67311-02 9 P
Cover, Window, Rear RH	141	H67312-02 9 P
Cover, Windshield Bow, Low. RH	145	H79171-13 2 P
Cover, Windshield Bow, Up. LH	146	H63149-20 2 P
Cover, Windshield Bow, Up. RH	147	H63149-21 2 P
Cover, Windshield, Upper LH	152	H63149-12 P
	153	H63149-16 4 P
	154	H63149-13 P
Cover, Windshield, Upper RH	155	H63149-17 4 P
Cover, Wing Bolt, LH	160	H63942-00 P
Cover, Wing Bolt, RH	161	H63942-01 P
Cup, Air Vent	101	H65735C 1 3 P
	100	H68736-00 6 P
Door Assembly, Rear Bulkhead	167	P79445-00 1 4 P
Door, Glove Box	54	H20596-00 P
Duct, Bulkhead Vent	132	H76308-00 8 P
Duct, Center Vent	9	H76307-00 8 P
	9	H76307-07 8 P
P/N H76307-00 w/o recess	11	H99541-00 8 P
P/N H76307-07 w/recess	12	H99541-02 8 P
Duct, Fresh Air	48	H79186-08 2 P
Duct, Heat	56	H36511 3 P
Evaporator Filter	29	H99550-02 8 P
	30	H99550-03 2 P
Flange, Air Vent	102	H65735F 1 2 P
Grip, Handhold	55	H67235-00 3 P
Inertia Reel, LH	124	H67762-13 6 P
Interconnect, Ventilation Bulk	166	P79192-00 4 P
Inertia Reel, RH	125	H67762-12 6 P
Lens, Cabin Light	6	H12715-00 P
Lens, Cluster Assembly	13	H79381-00 3 P
	103	H63428-06 P
Panel Assembly	104	H63428-09 2 P
	107	H99222-04 5 P
Panel, Door Latch	22	H79542-05 1 2 P
Plate, Placard Engine Control	108	H65846-00 3 P
Seat Back, RH	121	H78041-08 1 3 P
	41	H62827-07 P
Shield, Flap Handle Cover	42	H65672-05 4 P
Trim, Floor	112	60-18 7 T
Trim Strip, Window Post, LH	143	H63125-04 P
Trim Strip, Window Post, RH	144	H63126-04 P
Trim Strip, Windshield, LH	156	H63149-14 4 P
Trim Strip, Windshield, RH	157	H63149-15 4 P
Trim, Windshield	159	H67556-04 3 P
1 Add -B for black or -W for white		
2 Model PA-28-140 only		
3 Models PA-28-140 and PA-28-180 only		
4 Models PA-28-140, PA-28-180 and PA-28R-180 only		
5 Model PA-28-140 and PA-28R-180 only		
6 Models PA-28-150, PA-28-160 and PA-28-180 only		
7 Models PA-28-150, 160, 180 S/N 28-1761 thru 28-3977		
8 Model PA-28-180 only		
9 Model PA-28R-180 only		
10 Model PA-28-180 and PA-28R-180 only		

Eligibility continues on next column

Eligibility continued from previous column		
Description	Fig	Part Number
Battery Box Cover	4	H35201-00 P
Blade, Sun Visor	126	H65866-00 P
Cap, Assist Strap	3	H79456-00 P
Compass Housing Assembly	14	H79600-00 P
	18	H76496-02 2 P
Console, Overhead	19	H99500-06 3 P
Cover, Console	16	H67330-10 P
Cover, Door Trim, Upper	20	H79542-04 P
Cover, Drain	23	H35507-02 P
Cover, Elt Switch	25	H79463 P
Cover, Engine Control	26	H67232-40-41 P
Cover, Exhaust Vent	133	H99252-10 P
	32	60-67785-17-80A 7 T
Cover, Flap Handle	37	H67785-17 P
	49	H35773-02 5 P
Cover, Fuel Selector	52	H99635-09 P
	58	H67228-04 2 P
Cover, Instrument Panel, LH	59	H67228-09 3 P
	76	H79527-02 P
Cover, Instr. Panel, Lower RH	69	H66918-16 7 P
	70	H66918-18 5 P
Cover, Instr. Panel, Lower, LH	71	H66918-20 7 P
Cover, Instrument Panel, RH	62	H67229-06 7 P
Cover, Instr. Panel, Upper RH	85	H99959-04 4 P
	86	H99959-05 2 P
	80	H36567-05 7 P
Cover, Instr. Panel, Upper, LH	83	H79044-06 7 P
Cover, Radio Cooling	114	H79404-00 P
Cover, Rudder Pedal Stop Brack	165	P78735-02 6 P
Cover, Seat Back	120	H78041 1 P
Cover, Shoulder Harness, LH	122	H78054-02 P
Cover, Shoulder Harness, RH	123	H99801-02 P
Cover, Shoulder Hrns, Rear, LH	169	P99920-02 6 P
Cover, Shoulder Hrns, Rear, RH	170	P99920-03 6 P
Cover, Trim	94	H65674-15 P
Cover, Window Frame, Cent. LH	134	H79171-11 P
Cover, Window Frame, Cent. RH	135	H79171-08 P
Cover, Window Frame, Front LH	137	H79171-14 P
Cover, Window Frame, Rear LH	138	H79171-10 P
Cover, Window Frame, Rear RH	139	H79171-09 P
Cover, Window, RH	142	H79171-02 P
Cover, Windshield Bow, Low. RH	145	H79171-13 P
Cover, Windshield Bow, Up. LH	146	H63149-20 P
Cover, Windshield Bow, Up. RH	147	H63149-21 P
Cover, Windshield, Upper LH	153	H63149-16 7 P
Cover, Windshield, Upper RH	155	H63149-17 7 P
Cover, Wing Bolt, LH	160	H63942-00 P
Cover, Wing Bolt, RH	161	H63942-01 P
Cup, Air Vent	101	H65735C 1 P
Door Assembly, Rear Bulkhead	167	P79445-00 1 8 P
Duct, Bulkhead Vent	132	H76308-00 6 P

Eligibility continues on next page

Interior Plastic Trim Piper Aircraft



Interior Plastic Trim

Piper eligibility continued from previous page.

Eligibility continued from previous page		
Description	Fig	Part Number
Duct, Center Vent	9	H76307-00 P
P/N H76307-00 w/o recess	9	H76307-07 P
P/N H76307-07 w/recess	10	H79855-02 P
	12	H99541-02 P
Duct, Heat	56	H36511 P
Evaporator Filter	29	H99550-02 P
Flange	102	H65735F 1 P
Flange, Bulkhead Interconnect	5	H35498-00 2 P
Grip, Handhold	55	H67235-00 4 P
Interconnect, Ventilation Bulk	166	P79192-00 6 P
Lens, Cabin Light	6	H12715-00 P
Lens, Cluster Assembly	13	H79381-00 P
Plate, Placard Engine Control	108	H65846-00 7 P
	110	H69669-45 5 P
Shield, Flap Handle Cover	42	H65672-05 P
Trim, Windshield	159	H67556-04 P
1 Add -B for black or -W for white 2 Models PA-28-151 and PA-28-161 only 3 Models PA-28-151 PA-28-161 and PA-28-201T only 4 Model PA-28-181 only 5 Model PA-28-201T only 6 Models PA-28-181 and PA-28-201T only 7 Models PA-28-151 PA-28-161 and PA-28-181 only 8 Models PA-28-161, PA-28-181 and PA-28-201T only PA-28-235, PA-28-236		
Description	Fig	Part Number
Armrest, LH	1	H65238-10 1 2 P
Armrest, RH	2	H65238-11 1 2 P
Battery Box Cover	4	H35201-00 P
Blade, Sun Visor	126	H65866-00 P
Cap, Assist Strap	3	H79456-00 P
Compass Housing Assembly	14	H79600-00 P
Console, Overhead	19	H99500-06 P
Cover, Console	16	H67330-10 P
Cover, Door Trim, Upper	20	H79542-04 P
Cover, Drain	23	H35507-02 3 P
Cover, Elt Switch	25	H79463 P
Cover, Engine Control	26	H67232-40-41 P
	31	60-65224-80A 2 1 P
Cover, Flap Handle	32	60-67785-17-80A 2 1 P
	35	H65224-07 2 P
	37	H67785-17 P
Cover, Fuel Selector	50	H69652-12 P
	52	H99635-09 3 P
Cover, Instrument Panel, LH	59	H67228-09 P
Cover, Instr. Panel, Lower, LH	69	H66918-16 2 P
	71	H66918-20 3 P
Cover, Instrument Panel, RH	62	H67229-06 P
Cover, Instr. Panel, Upper RH	86	H99959-05 P
Cover, Instr. Panel, Upper, LH	80	H36567-05 3 P
	83	H79044-06 P
Cover, Quick Drain	24	H65461-19 2 P
Cover, Radio Cooling	114	H79404-00 P
Cover, Rudder Pedal Stop Bracket	165	P78735-02 3 P
Cover, Seat Back	120	H78041 1 P
Cover, Shoulder Harness, LH	122	H78054-02 P
Cover, Shoulder Harness, RH	123	H99801-02 P
Cover, Shoulder Hrns, Rear, LH	N/A	P99920-02 P
Cover, Shoulder Hrns, Rear, RH	N/A	P99920-03 P
Cover, Transponder Antenna	N/A	P99991-00 2 P
Cover, Trim	94	H65674-15 P
Cover, Window Frame, Cent. LH	134	H79171-11 P
Cover, Window Frame, Cent. RH	168	P99904-05 2 P
Cover, Window Frame, Cent. RH	135	H79171-08 P
Cover, Window Frame, Front LH	137	H79171-14 P
Cover, Window Frame, Rear LH	138	H79171-10 P
Cover, Window Frame, Rear RH	139	H79171-09 P
Cover, Window, RH	142	H79171-02 2 P
Cover, Windshield Bow, Low. RH	145	H79171-13 P
Cover, Windshield Bow, Up. LH	146	H63149-20 P
Cover, Windshield Bow, Up. RH	147	H63149-21 P
Cover, Windshield, Upper LH	152	H63149-12 2 P
	153	H63149-16 2 P
	154	H63149-13 2 P
Cover, Windshield, Upper RH	155	H63149-17 2 P
Cover, Wing Bolt, LH	160	H63942-00 P
Cover, Wing Bolt, RH	161	H63942-01 P
Cup, Air Vent	101	H65735C 1 P
	100	H68736-00 2 P
Door Assembly, Rear Bulkhead	167	P79445-00 1 P
Door, Glove Box	54	H20596-00 2 P
Duct, Bulkhead Vent	132	H76308-00 P
	9	H76307-00 P
Duct, Center Vent	9	H76307-07 P
P/N H76307-00 w/o recess	10	H79855-02 3 P
P/N H76307-07 w/recess	12	H99541-02 3 P
Duct, Heat	56	H36511 P

Eligibility continues on next column

Eligibility continued from previous column		
Description	Fig	Part Number
Evaporator Filter	29	H99550-02 3 P
Flange, Air Vent	102	H65735F 1 P
Grip, Handhold	55	H67235-00 2 P
Inertia Reel, LH	124	H67762-13 2 P
Inertia Reel, RH	125	H67762-12 2 P
Lens, Cabin Light	6	H12715-00 P
Interconnect, Ventilation Bulk	166	P79192-00 P
Lens, Cluster Assembly	13	H79381-00 P
Panel Assembly	103	H63428-06 2 P
Panel, Door Latch	22	H79542-05 1 2 P
Plate, Placard Engine Control	108	H65846-00 2 P
	110	H69669-45 2 P
Seat Back, RH	121	H78041-08 1 2 P
	41	H62827-07 2 P
Shield, Flap Handle Cover	42	H65672-05 P
Trim, Floor	112	60-18 4 1 P
Trim Strip, Window Post, LH	143	H63125-04 2 P
Trim Strip, Window Post, RH	144	H63126-04 2 P
Trim, Windshield	159	H67556-04 P
1 Add -B for black or -W for white 2 Model PA-28-235 only 3 Model PA-28-236 only 4 Model PA-28-235, S/N 28-10003 thru 28-10719 PA-28R-200, PA-28R-201, PA-28R-201T, PA-28RT-201, PA-28RT-201T		
Description	Fig	Part Number
Battery Box Cover	4	H35201-00 P
Blade, Sun Visor	126	H65866-00 P
Cap, Assist Strap	3	H79456-00 P
Compass Housing Assembly	14	H79600-00 P
Console, Overhead	19	H99500-06 P
Cover, Console	16	H67330-10 P
Cover, Door Trim, Upper	20	H79542-04 P
Cover, Drain	23	H35507-02 P
Cover, Elt Switch	25	H79463 P
Cover, Engine Control	26	H67232-40-41 P
Cover, Exhaust Vent	136	H99252-10 P
Cover, Flap Handle	36	H67593-09 2 P
	38	H67917-06 P
Cover, Fuel Selector	49	H35773-02 7 P
	52	H99635-09 6 P
Cover, Instrument Panel, LH	59	H67228-09 P
Cover, Instr. Panel, Lower, LH	72	H66983-12 2 P
	73	H67920-14 P
Cover, Instrument Panel, RH	62	H67229-06 P
Cover, Instr. Panel, Upper RH	85	H99959-04 5 P
	86	H99959-05 9 P
Cover, Instr. Panel, Upper, LH	80	H36567-05 10 P
	83	H79044-06 4 P
Cover, LH	91	H67313-02 2 P
Cover, RH	92	H67314-02 2 P
Cover, Radio Cooling	116	H79404-00 P
Cover, Rudder Pedal Stop Bracket	165	P78735-02 12 P
Cover, Seat Back	120	H78041 1 P
Cover, Shoulder Harness, LH	122	H78054-02 P
Cover, Shoulder Harness, RH	123	H99801-02 P
Cover, Shoulder Hrns, Rear, LH	169	P99920-02 P
Cover, Shoulder Hrns, Rear, RH	170	P99920-03 P
Cover, Transponder Antenna	N/A	P99991-00 2 P
Cover, Trim	94	H65674-15 P
Cover, Window Frame, Cent. LH	134	H79171-11 P
	168	P99904-05 2 P
Cover, Window Frame, Cent. RH	135	H79171-08 P
Cover, Window Frame, Front LH	137	H79171-14 P
Cover, Window Frame, Rear LH	138	H79171-10 P
Cover, Window Frame, Rear RH	139	H79171-09 P
Cover, Window, Rear LH	140	H67311-02 2 P
Cover, Window, Rear RH	141	H67312-02 2 P
Cover, Window, RH	142	H79171-02 5 P
Cover, Windshield Bow, Low. RH	145	H79171-13 11 P
Cover, Windshield Bow, Up. LH	146	H63149-20 P
Cover, Windshield Bow, Up. RH	147	H63149-21 P
Cover, Windshield, Upper LH	152	H63149-12 2 P
	153	H63149-16 2 P
	154	H63149-13 2 P
Cover, Windshield, Upper RH	155	H63149-17 2 P
Cover, Wing Bolt, LH	160	H63942-00 P
Cover, Wing Bolt, RH	161	H63942-01 P
Cup, Air Vent	101	H65735C 1 P
	100	H68736-00 2 P
Door Assembly, Rear Bulkhead	167	P79445-00 1 P
Duct, Bulkhead Vent	131	H76305-00 P
Duct, Center Vent	9	H76307-00 P
P/N H76307-00 w/o recess	9	H76307-07 P
P/N H76307-07 w/recess	12	H99541-02 P

Eligibility continues on next column

Eligibility continued from previous column		
Description	Fig	Part Number
Duct, Fresh Air	46	H76494-02 10 P
	47	H76494-04 12 P
Duct, Heat	56	H36511 P
Evaporator Filter	29	H99550-02 P
Flange, Air Vent	102	H65735F 1 P
Grip, Handhold	55	H67235-00 2 P
Interconnect, Ventilation Bulk	166	P79192-00 18 P
Lens, Cabin Light	6	H12715-00 P
Lens, Cluster Assembly	13	H79381-00 18 P
Panel Assembly	107	H99222-04 2 P
Panel, Door Latch	22	H79542-05 1 2 P
Plate, Placard Engine Control	110	H69669-45 2 P
Seat Back, RH	121	H78041-08 1 2 P
Shield, Flap Handle Cover	42	H65672-05 P
Trim Strip, Window Post, LH	143	H63125-04 2 P
Trim Strip, Window Post, RH	144	H63126-04 2 P
Trim Strip, Windshield, LH	156	H63149-14 2 P
Trim Strip, Windshield, RH	157	H63149-15 2 P
Trim, Windshield	159	H67556-04 P
1 Add -B for black or -W for white 2 Model PA-28R-200 only 3 Model PA-28R-200 and PA-28R-201 only 4 Models PA-28R-200 and PA-28RT-201 only 5 Models PA-28R-200, PA-28R-201 and PA-28R-201T only 6 All models except PA-28RT-201T 7 Models PA-28R-201T and PA-28RT-201T only 8 Models PA-28R-200 and PA-28RT-201T only 9 Models PA-28R-200, PA-28RT-201 and PA-28RT-201T only 10 Models PA-28RT-201 and PA-28RT-201T only 11 All models except PA-28RT-201 12 Models PA-28R-201, PA-28R-201T and PA-28RT-201T only 13 All models except PA-28R-200 PA-30, PA-39		
Description	Fig	Part Number
Box Assembly, Cabin Air Outlet	N/A	P25574-00 1 P
Molding Assembly, Front Window	N/A	P25416-00 1 P
Molding, Cabin Door Window	162	P23314-06 P
Molding, Front Window, LH	N/A	P25418-00 1 P
Molding, Front Window, RH	158	P23308-06 P
Molding, Rear Window, LH	N/A	P25417-00 1 P
Panel Assembly	N/A	P22452-00 1 P
1 Model PA-30 Only PA-32-260, PA-32-300, PA-32-301, PA-32-301T, PA-32R-300, PA-32R-301, PA-32R-301T, PA-32RT-300, PA-32RT-300T		
Description	Fig	Part Number
Battery Box Cover	4	H35201-00 15 P
Blade, Sun Visor	127	H65866-02 P
Cap, Assist Strap	3	H79456-00 P
Channel, Seat Trim, Center LH	116	H68091-14 P
Channel, Seat Trim, Center RH	117	H68091-15 P
Channel, Seat Trim, Rear LH	118	H68090-16 P
Channel, Seat Trim, Rear RH	119	H68090-17 P
Compass Housing Assembly	14	H79600-00 P
Cover, Aft Trim	89	H36551-03 5 P
Cover, Glove Box	N/A	P69330-03 18 P
Cover, Cargo Door Upper	164	P69859-07 P
Cover, Console	17	H69654-19 P
Cover, Door Trim, Upper	20	H79542-04 P
	21	H79542-16 P
Cover, Elt Switch	25	H79463 7 P
Cover, Engine Control	27	H69344-28 P
	33	60-69596-80A 6 1 P
Cover, Flap Handle	34	H38178-02 18 P
	39	H69596-14 6 P
Cover, Forward Trim	90	H36551-02 5 P
Cover, Fuel Selector	50	H69652-12 P
Cover, Glove Box	53	H69330-04 17 P
Cover, Instr. Panel, Lower, LH	66	H69817-00 6 P
	67	H69817-03 18 P
Cover, Instr. Panel, Lower RH	75	H69901-02 P
Cover, Instrument Panel, RH	63	H69831-05 8 P
Cover, Instr. Panel, Upper RH	84	H69659-00 P
Cover, Instr. Panel, Upper, LH	81	H69661-00 4 P
Cover, Quick Drain	24	H65461-19 14 P
Cover, Radio Cooling	114	H79404-00 P
Cover, Rudder Pedal Stop Bracket	165	P78735-02 3 P
Cover, Seat Back	120	H78041 1 P
Cover, Shoulder Harness, LH	N/A	H78054-02 P
Cover, Shoulder Harness, RH	123	H99801-02 P
Cover, Switch Plate	129	H69976-03 P
	130	H79182-02 P
Cover, Transponder Antenna	N/A	P99991-00 2 P
Cover, Terminal Strip	N/A	P79205-00 19 P
Cover, Trim	94	H65674-15 4 P
Cover, Window Frame, Front LH	136	H78349-17 P

Eligibility continues on next page

Manufacturer/Material: **P** Premier Aerospace Services and Technology/PVC/Acrylic **T** Texas Aeroplastics/ABS Plastic Parts

Piper eligibility continued from previous page.

Eligibility continued from previous page

Description	Fig	Part Number
Cover, Window, RH	142	H79171-02 4 P
Cover, Window Trim, Rear RH	N/A	P78349-11 P
Cover, Windshield Bow, Aft	163	P68732-02 2 P
Cover, Windshield Trim, LH	148	H63149-22 P
	150	H68688-04 4 P
	149	H63149-23 P
Cover, Windshield Trim, RH	151	H68688-05 4 P
Cover, Wing Bolt, LH	160	H63942-00 P
Cover, Wing Bolt, RH	161	H63942-01 P
Cup, Air Vent	101	H65735C 1 P
Door Assembly, Rear Bulkhead	167	P79445-00 1 P
	7	H69751-06 3 10 P
Duct, Center Air	8	H69991-02 9 P
	43	H69749-04 4 P
Duct, Forward Air	44	H69750-00 10 P
	45	H69990-02 9 P
Duct, Oxygen Gauge	113	H69991-07 13 P
Evaporator Filter	29	H99550-02 3 P
Flange, Air Vent	102	H65735F 1 P
Grip, Handhold	55	H67235-00 2 P
Interconnect, Ventilation Bulk Lens, Cabin Light	166	P79192-00 2 P
	6	H12715-00 5 P
Panel Assembly	105	H69746-13 11 P
	106	H69989-03 12 P
Panel, Door Latch	22	H79542-05 1 17 P
Panel, Overhead, Rear	N/A	P68445-02 2 P
Plate, Placard Engine Control	109	H69669-44 P
Seat Back, RH	121	H78041-08 1 4 P
Shield, Flap Handle Cover	41	H62827-07 P
Support, Compass	15	H69676-00 2 P

- 1 Add -B for black or -W for white
- 2 Models PA-32-260 and PA-32-300 only
- 3 Includes all models except PA-32-260
- 4 Models PA-32-260, PA-32-300 and PA-32R-300 only
- 5 Models PA-32-260, PA-32-300 and PA-32RT-300 only
- 6 Models PA-32-260, PA-32-300, PA-32-301, PA-32-301T, PA-32R-300, PA-32RT-300 and PA-32RT-300T only
- 7 Models PA-32-260, PA-32-300, PA-32-301, PA-32-301T, PA-32R-300 and PA-32RT-300T only
- 8 Models PA-32-260, PA-32-300, PA-32-301, PA-32RT-300 and PA-32RT-300T only
- 9 Models PA-32-300, PA-32-301, PA-32-301T, PA-32R-301, PA-32R-301T and PA-32RT-300T only
- 10 Models PA-32-300, PA-32R-300, PA-32RT-300 and PA-32RT-300T only
- 11 Models PA-32-300, PA-32R-300, and PA-32RT-300T only
- 12 Models PA-32-300, PA-32R-300, -301, PA-32-301T, PA-32R-301, PA-32R-301T and PA-32RT-300T only
- 13 Models PA-32R-300, PA-32R-301, PA-32R-301T, PA-32RT-300 and PA-32RT-300T only
- 14 Models PA-32-300, PA-32-301, 301T, PA-32R-301, PA-32R-301T, PA-32RT-300 and PA-32RT-300T only
- 15 Model PA-32-301T only
- 16 Model PA-32-301T, PA-32R-301 and PA-32R-301T only
- 17 Models PA-32-301, PA-32-301T, PA-32R-301, PA-32R-301T, PA-32RT-300 and PA-32RT-300T only
- 18 Includes all models except PA-32R-300
- 19 Models PA-32-301T, PA-32R-301, PA-32R-301T, PA-32RT-300 and PA-32RT-300T only
- 20 Add -S for standard seating and -C for club seating

Description	Fig	Part Number
Blade, Sun Visor	127	H65866-02 P
Cap, Assist Strap	3	H79456-00 P
Channel, Seat Trim, Center LH	116	H68091-14 P
Channel, Seat Trim, Center RH	117	H68091-15 P
Channel, Seat Trim, Rear LH	118	H68090-16 P
Channel, Seat Trim, Rear RH	119	H68090-17 P
Compass Housing Assembly	14	H79600-00 5 P

Eligibility continues on next column

Eligibility continued from previous column

Description	Fig	Part Number
Cover, Aft Trim	89	H36551-03 P
Cover Assy, Electric Bus	N/A	P96525-00 P
Cover Assy Pitot Pressure Pump	N/A	P96842-02 5 P
Cover, Cargo Door Upper	164	P69859-07 3 P
	20	H79542-04 5 P
Cover, Door Trim, Upper	21	H79542-16 3 P
Cover, Elt Switch	25	H79463 P
Cover, Engine Control	28	H95808-08 3 P
Cover, Flap Handle	40	H96555-07 P
Cover, Fuel Selector	51	H78320-13 P
	53	H69330-04 P
Cover, Glove Box	N/A	P69330-03 P
Cover, Hydraulic Lines	N/A	P96998-00 5 P
Cover, Mag Switch	87	H96730-00 5 P
Cover, Instrument Panel, LH	61	H95919-00 2 P
Cover, Instr. Panel, Lower, LH	65	H37369-00 3 P
	74	H37371-00 3 P
Cover, Instr. Panel, Lower RH	78	H95284-08 2 P
Cover, Instrument Panel, RH	64	H95920-00 2 P
Cover, Instr. Panel, Upper RH	84	H69659-00 5 P
Cover, Instr. Panel, Upper, LH	82	H69816-03 3 P
Cover, Quick Drain	24	H65461-19 P
Cover, Radio Cooling	114	H79404-00 3 P
Cover, Seat Back	120	H78041 1 P
Cover, Selector Valve Lever	N/A	P96046-00 2 P
Cover, Shoulder Harness, LH	122	H78054-02 P
Cover, Shoulder Harness, RH	123	H99801-02 P
Cover, Starter Solenoid	N/A	P96600-00 P
Cover, Terminal Strip	N/A	P79205-00 3 P
Cover, Terminal Strip, Aft	N/A	P95213-00 P
Cover, Trim	94	H66615-14 4 P
Cover, Trim, LH	97	H95893-20 P
Cover, Trim, RH	99	H95893-21 P
Cover, Trim, Spar Box/Fuel Ln LH	N/A	P78132-00 5 P
Cover, Window Frame, Front LH	136	H78349-17 5 P
Cover, Window, RH	142	H79171-02 5 P
Cover, Window Trim Rear, RH	N/A	P78349-11 3 P
Cover, Windshield Bow, Aft	N/A	P96046-00 2 P
	148	H63149-22 5 P
Cover, Windshield Trim, LH	150	H68688-04 5 P
	149	H63149-23 5 P
Cover, Windshield Trim, RH	151	H68688-05 5 P
Cover, Wing Bolt, LH	160	H63942-00 P
Cover, Wing Bolt, RH	161	H63942-01 P
Cup, Air Vent	101	H65735C 1 P
Deck, Electrical Equip. LH	N/A	P96463-00 P
Deck, Electrical Equip. RH	N/A	P96464-00 P
Door Assembly, Rear Bulkhead	167	P79445-00 1 P
Duct, Center Air	7	H69751-06 3 7 P
	8	H69991-02 6 P
	43	H69749-04 3 P
Duct, Forward Air	44	H69750-00 3 P
	45	H69990-02 6 P
Duct, Oxygen Gauge	113	H69991-07 6 P
Evaporator Filter	29	H99550-02 6 P
Fitting Assembly, Air	N/A	P78609-00 P
Grip, Handhold	55	H67235-00 2 P
Interconnect, Ventilation Bulk Lens, Cabin Light	166	P79192-00 5 P
	6	H12715-00 3 P
Lens, Cluster Assembly	13	H79381-00 P
Panel Assembly	105	H69746-13 5 P
	106	H69989-03 3 P
Panel, Baggage Cmpt, Lower LH	N/A	P96285-00 P
Panel, Baggage Cmpt, Upper LH	N/A	P96284-00 5 P
Panel, Baggage Cmpt, RH	N/A	P96803-00 3 P
Panel, Door Latch	22	H79542-05 1 3 P
Panel, Hydlic. Pump Protector	N/A	P96502-00 P
Panel, Overhead, Rear	N/A	P68445-02 2 P
Panel, Switch	128	H96954-03 5 P

Eligibility continues on next column

Eligibility continued from previous column

Description	Fig	Part Number
Plate, Placard Engine Control	111	H95804-02 P
Seat Back, RH	121	H78041-08 1 5 P
Support, Compass	15	H69676-00 5 P
1 Add -B for black or -W for white		
2 Model PA-34-200 only		
3 Model PA-34-200T only		
4 Model PA-34-220T only		
5 Models PA-34-200 and PA-34-200T only		
6 Models PA-34-200T and PA-34-220T only		
7 Add -S for standard seating and -C for club seating		
PA-38-112		
Description	Fig	Part Number
Cover Assy., Console, Forward	N/A	P77733-302 P
Cover Assy., Trim Control Wheel	N/A	P77733-21 P
Cover, Control Quadrant	N/A	P77773-02 P
Cover-Seat Back Trim	N/A	P77752-02 P
Housing Assembly Compass	N/A	P77760-02 P
Panel Assy., Trim, Lower Aft	N/A	P77725-21 P
Panel Assy., Trim, Frnt Side LH	N/A	P77725-04 P
Panel Assy., Trim, Frnt Side RH	N/A	P77725-03 P
Panel, Trim, Lower Door, LH	N/A	P77500-08 P
Panel, Trim, Upper Door	N/A	P77500-10 P
Panel, Trim, Up. Dr. Frame, LH	N/A	P77725-26 P
Panel, Trim, Tunnel Side, RH	N/A	P77766-05 P
PA-44-180, PA-44-180T		
Description	Fig	Part Number
Blade, Sun Visor	127	H65866-02 P
Cap, Assist Strap	3	H79456-00 P
Compass Housing Assembly	14	H79600-00 P
Console, Overhead	19	H99500-06 P
Cover, Window Frame Front LH	88	H86733-06 P
Cover, Door Trim, Upper	20	H79542-04 P
Cover, Drain	23	H35507-02 P
Cover, Elt Switch	25	H79463 P
Cover, Engine Control	28	H95808-08 P
Cover, Exhaust Vent	133	H99252-10 2 P
Cover, Instr. Panel, Lower, LH	68	H86740-02 P
Cover, Instr. Panel, Lower RH	77	H86741-03 P
Cover, Instr. Panel, Upper RH	86	H99959-05 P
	80	H36567-05 P
Cover, Instr. Panel, Upper, LH	83	H79044-06 P
Cover, Radio Cooling	114	H79404-00 P
Cover, Rudder Pedal Stop Brack	165	P78735-02 P
Cover, Seat Back	120	H78041 1 P
Cover, Shoulder Harness, LH	122	H78054-02 2 P
Cover, Shoulder Harness, RH	123	H99801-02 2 P
Cover, Shoulder Hrns, Rear, LH	169	P99920-02 P
Cover, Shoulder Hrns, Rear, RH	170	P99920-03 P
Cover, Trim	96	H86781-02 P
Cover, Trim, LH	97	H86775-04H P
Cover, Trim, RH	99	H86775-05H P
Cover, Window Frame, Cent. LH	N/A	P86733-04 P
Cover, Windshield Bow, Up., LH	146	H63149-20 P
Cover, Windshield Bow, Up., RH	147	H63149-21 P
Cover, Wing Bolt, LH	160	H63942-00 P
Cover, Wing Bolt, RH	161	H63942-01 P
Cup, Air Vent	101	H65735C 1 P
Door Assembly, Rear Bulkhead	167	P79445-00 1 P
Duct, Bulkhead Vent	131	H76305-00 P
	9	H76307-00 3 P
Duct, Center Vent	9	H76307-07 3 P
	46	H76494-02 P
Duct, Fresh Air	47	H76494-04 P
Interconnect, Ventilation Bulk Lens, Cabin Light	166	P79192-00 2 P
	6	H12715-00 P
Lens, Cluster Assembly	13	H79381-00 P
Plate, Placard Engine Control	111	H95804-02 P
Trim, Windshield	159	H67556-04 P
1 Add -B for black or -W for white		
2 Model PA-44-180 only		
3 P/N H76307-00 w/o recess, P/N H76307-07 w/recess		
Manufacturer/Material: P Premier/PVC/Acrylic		

Piper Interior Plastic images continue on next page.

Photos are not to scale or relative to each other

1  H65238-10 Armrest LH	2  H65238-11 Armrest RH	3  H79456-00 Cap, Assist Strap	4  H35201-00 Battery Box Cover	5  H35498-00 Flange, Bulkhead	6  H12715-00 Cabin Light Lens	7  H69751-06 Center Air Duct	8  H69991-02 Center Air Duct
---	---	--	--	---	--	--	--

Interior Plastic Trim Piper Aircraft

Piper Interior Plastic images continued from previous page.

Photos are not to scale or relative to each other
























































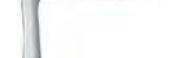

9 H76307-00 Duct, Center Vent	10 H79855-02 Duct, Center Vent w/o Recess	11 H99541-00 Duct, Center Vent w/o Recess	12 H99541-02 Duct, Center Vent w/ Recess	13 H79381-00 Cluster Assy Lens	14 H79600-00 Compass Housing Assy	15 H69676-00 Compass Support	16 H67330-10 Console Cover
17 H69654-19 Console Cover	18 H76496-02 Console, Overhead	19 H99500-06 Console, Overhead	20 H79542-04 Cover, Trim, Upper	21 H79542-16 Cover, Trim, Upper	22 H79542-05 Panel, Latch	23 H35507-02 Drain Cover	24 H65461-19 Cover Quick Drain
25 H79463 ELT Switch Cover	26 H67232-40-41 Engine Cover	27 H69344-28 Engine Cover	28 H95808-08 Engine Cover	29 H99550-02 Evaporator Filter	30 H99550-03 Evaporator Filter	31 60-65224-80A Flap Handle Cover	32 60-67785-17-80A Flap Handle Cover
33 60-69596-80A Flap Handle Cover	34 H38178-02 Flap Handle Cover	35 H65224-07 Flap Handle Cover	36 H67593-09 Flap Handle Cover	37 H67785-17 Flap Handle Cover	38 H67917-06 Flap Handle Cover	39 H69596-14 Flap Handle Cover	40 H96555-07 Forward Air Cover
41 H62827-07 Shield, Cover	42 H65672-05 Shield, Cover	43 H69749-04 Fresh Air Duct	44 H69750-00 Fresh Air Duct	45 H69990-02 Fresh Air Duct	46 H76494-02 Fresh Air Duct	47 H76494-04 Fresh Air Duct	48 H79186-08 Fresh Air Duct
49 H35773-02 Fuel Selector Cover	50 H69652-12 Fuel Selector Cover	51 H78320-13 Fuel Selector Cover	52 H99635-09 Fuel Selector Cover	53 H69330-04 Glove Box Cover	54 H20596-00 Glove Box Cover	55 H67235-00 Handhold Grip	56 H36511 Heat Duct
57 H65891 Panel Cover	58 H67228-04 Panel Cover, LH	59 H67228-09 Panel Cover, LH	60 H69338-02 Panel Cover, LH	61 H95919-00 Panel Cover, LH	62 H67229-06 Panel Cover, RH	63 H69831-05 Panel Cover, RH	64 H95920-00 Panel Cover, RH
65 H37369-00 Panel Cover, Lower LH	66 H69817-00 Panel Cover, Lower LH	67 H69817-03 Panel Cover, Lower LH	68 H86740-02 Panel Cover, Lower LH	69 H66918-16 Panel Cover, Lower LH	70 H66918-18 Panel Cover, Lower LH	71 H66918-20 Panel Cover, Lower LH	72 H66983-12 Panel Cover, Lower LH

Interior Plastic Trim

Piper Interior Plastic images continued from previous page.

Photos are not to scale or relative to each other







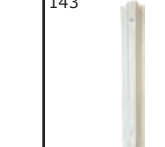




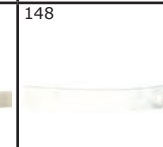

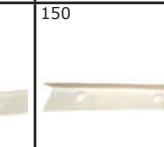
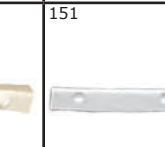
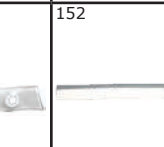

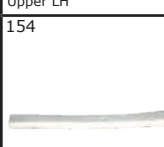



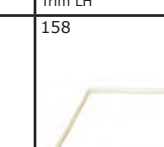




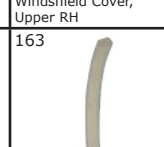







Interior Plastic Trim

73  H67920-14 Panel Cover, Lower LH	74  H37371-00 Panel Cover, Lower RH	75  H69901-02 Panel Cover, Lower RH	76  H79527-02 Panel Cover, Lower RH	77  H86741-03 Panel Cover, Lower RH	78  H95284-08 Panel Cover, Lower RH	79  H67227-12 Panel Cover, Upper	80  H36567-05 Panel Cover, Upper LH
81  H69661-00 Panel Cover, Upper LH	82  H69816-03 Panel Cover, Upper LH	83  H79044-06 Panel Cover, Upper LH	84  H69659-00 Panel Cover, Upper RH	85  H99959-04 Panel Cover, Upper RH	86  H99959-05 Panel Cover, Upper RH	87  H96730-00 Cover, Mag Switch	88  H86733-06 Window Frame Front Cover LH
89  H36551-03 Cover, Aft Trim	90  H36551-02 Cover, Forward Trim	91  H67313-02 Cover, LH	92  H67314-02 Cover, RH	93  H65674-15 Cover, Trim	94  H66615-14 Cover, Trim	95  H86781-02 Cover, Trim	96  H86775-04H Cover, Trim LH
97  H95893-20 Cover, Trim LH	98  H86775-05H Cover, Trim RH	99  H95893-21 Cover, Trim RH	100  H68736-00 Cup	101  H65735C Cup	102  H65735F Air Vent Flange	103  H63428-06 Panel Assembly	104  H63428-09 Panel Assembly
105  H69746-13 Panel Assembly	106  H69989-03 Panel Assembly	107  H99222-04 Panel Assembly	108  H65846-00 Placard, Plate Engine	109  H69669-44 Plate	110  H69669-45 Plate	111  H95804-02 Plate	112  60-18 Trim, Floor
113  H69991-07 Oxygen Duct	114  H79404-00 Cover, Radio Cooling	115  H63295-05 Rudder Trim Cover	116  H68091-14 Channel, Trim, Center LH	117  H68091-15 Channel, Trim, Center RH	118  H68090-16 Channel, Trim, Rear LH	119  H68090-17 Channel, Trim, Rear RH	120  H78041 Cover, Seat Back
121  H78041-08 Seat Back, RH	122  H78054-02 Shoulder Harness Cover, LH	123  H99801-02 Shoulder Harness Cover, RH	124  H67762-13 Inertia Reel, LH	125  H67762-12 Inertia Reel, RH	126  H65866-00 Sun Visor Blade	127  H65866-02 Sun Visor Blade	128  H96954-03 Panel, Switch
129  H69976-03 Switch Plate Cover	130  H79182-02 Switch Plate Cover	131  H76305-00 Bulkhead Vent Duct	132  H76308-00 Bulkhead Vent Duct	133  H99252-10 Exhaust Vent Cover	134  H79171-11 Window Cover, Frame Center LH	135  H79171-08 Window Cover, Frame Center RH	136  H78349-17 Window Cover, Frame Front LH

Interior Plastic Trim Piper Aircraft

Piper Interior Plastic images continued from previous page.

Photos are not to scale or relative to each other

137  H79171-14 Window Cover, Frame Front LH	138  H79171-10 Window Cover, Frame Rear LH	139  H79171-09 Window Cover, Frame Rear RH	140  H67311-02 Window Cover, Rear LH	141  H67312-02 Window Cover, Rear RH	142  H79171-02 Window Cover, RH	143  H63125-04 Window Trim Strip, Post LH	144  H63126-04 Window Trim Strip, Post RH
145  H79171-13 Windshield Cover, Bow Lower RH	146  H63149-20 Windshield Cover, Bow Upper LH	147  H63149-21 Windshield Cover, Bow Upper RH	148  H63149-22 Windshield Cover, Trim LH	149  H63149-23 Windshield Cover, Trim RH	150  H68688-04 Windshield Cover, Trim LH	151  H68688-05 Windshield Cover, Trim RH	152  H63149-12 Windshield Cover, Upper LH
153  H63149-16 Windshield Cover, Upper LH	154  H63149-13 Windshield Cover, Upper RH	155  H63149-17 Windshield Cover, Upper RH	156  H63149-14 Windshield Trim Strip LH	157  H63149-15 Windshield Trim Strip RH	158  P23308-06 Molding, Front Window RH	159  H67556-04 Windshield Trim	160  H63942-00 Windshield Cover, LH
161  H63942-01 Wing Bolt Cover, RH	162  P23314-06 Molding Cabin Door Window	163  P68732-02 Windshield Bow Cover Aft	164  P69859-07 Cargo Door Cover, Upper	165  P78735-02 Rudder Pedal Stop Cover	166  P79192-00 Interconnect Vent Bulkhead	167  P79445-00 Door Assy, Rear Bulkhead	168  P99904-05 Window Frame Cover Cntr LH
169  P99920-02 Shoulder Harness Cover Rear LH	170  P99920-03 Shoulder Harness Cover Rear RH						

Manufacturer/Material: Premier Aerospace Services and Technology/PVC/Acrylic Texas Aeroplastics/ABS Plastic Parts

Interior Plastic Trim



All parts for Piper aircraft marked with note 1 are available in either black or white. Add -B for black or -W for white.

Add -B for black where note 1 is applicable

Add -W for white where note 1 is applicable

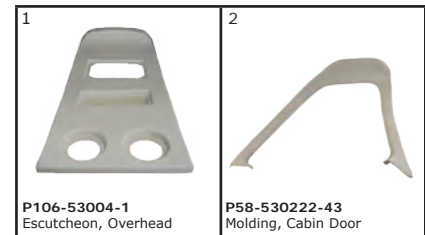




Eligibility for Beechcraft Aircraft

1900		
S/N UA-2 thru UA-3		
Description	Fig	Part Number
Cover	N/A	P114-361043-3
Cover Assembly, Electric	N/A	P114-361055-5
Door, Oxygen	N/A	P114-530057-5
Escutcheon, Glareshield, LH	N/A	P101-530461-1
Escutcheon, Upper Aft	N/A	P114-530085-8
Moisture Shield		P114-320066-3
1900C		
UB-1 thru UB-74, UC-1 thru UC-174, (C-12J) UD-1 thru UD-6		
Description	Fig	Part Number
Cover	N/A	P114-530031-197
Cover	N/A	P114-361043-3
Cover	N/A	P129-530066-11
Cover	N/A	P129-530066-11
Cover	N/A	P129-530114-15
Cover Assembly, Electric	N/A	P114-361055-5
Door, Oxygen	N/A	P114-530057-5
Escutcheon, Ash Tray	N/A	P101-530156-19
Escutcheon, Glareshield, LH	N/A	P101-530461-1
Escutcheon, Upper Aft	N/A	P114-530085-8
Escutcheon, Upper Forward	N/A	P114-530085-7
Moisture Shield	N/A	P114-320066-3
Panel, Lower, LH	N/A	P129-530104-19
1900D		
UE-1 thru UE-439		
Description	Fig	Part Number
Cover	N/A	P114-361043-3
Cover	N/A	P129-530066-31
Cover	N/A	P129-530072-5
Cover, Cap Strip Intersection	N/A	P129-530071-5
Cover, Door Handle	N/A	P129-530038-17
Cover, Forward	N/A	P129-530038-13
Cover, Forward Cable	N/A	P129-530066-37
Escutcheon, Glareshield, LH	N/A	P101-530461-1
Moisture Shield	N/A	P114-320066-3
58		
TH-1 thru TH-2124		
Description	Fig	Part Number
Cover, Escape Hatch	N/A	P106-530050-1
Escutcheon, Armrest, Co-Pilot	N/A	P106-530079-6
Escutcheon, Inertia Reel	N/A	P106-530074-1
Escutcheon, Overhead	1	P106-530042-1
Molding, Cabin Door	2	P58-530222-43
Molding, Cabin Door	N/A	P106-530075-3
Molding, Window, Forward, LH	N/A	P106-530065-21
Molding, Window, Forward, RH	N/A	P106-530065-245
Molding, Window, Utility Door	N/A	P106-530065-47
Molding, Windshield, Upper	N/A	P58-530165-7
Panel	N/A	P106-530035-9
Notes: 1 Add -LB for light beige or -LG for light gray		
60		
P-4 thru P-126 Except P-123		
Description	Fig	Part Number
ESCUTCHEON, Armrest, LH	N/A	P60-530381-1-LB
ESCUTCHEON, Armrest, RH	N/A	P60-530381-2-LB
95-55, 95-A55		
Description	Fig	Part Number
Molding, Window, Aft, LH	N/A	P96-430010-71-LB
Molding, Window, Aft, RH	N/A	P96-430010-72-LB
95-B55		
Description	Fig	Part Number
Cover, Escape Hatch	N/A	P106-530050-1
Escutcheon, Inertia Reel	N/A	P106-530074-1
Escutcheon, Overhead	N/A	P106-530050-1-LB
Molding, Cabin Door, Upper	1	P106-530042-1
Molding, Window, Aft, LH	N/A	P96-430010-71-LB
Eligibility continues in next column		

Eligibility continued from previous column		
Molding, Window, Aft, RH	N/A	P96-430010-2-LB
Molding, Windshield, Upper	N/A	P58-530165-7
Panel	N/A	P106-530035-9
95-C55		
Description	Fig	Part Number
Molding, Window, Aft, LH	N/A	P96-430010-71
Molding, Window, Aft, RH	N/A	P96-430010-72
A36, A36TC		
Description	Fig	Part Number
Cover, Escape Hatch	N/A	P106-530050-1
Escutcheon, Armrest, Co-Pilot	N/A	P106-530079-6
Escutcheon, Inertia Reel	N/A	P106-530074-1
Escutcheon, Overhead	1	P106-530042-1
Molding, Cabin Door	2	P58-530222-43
Molding, Cabin Door	N/A	P106-530075-3
Molding, Window, Forward, LH	N/A	P106-530065-21
Molding, Window, Forward, RH	N/A	P106-530065-245
Molding, Window, Utility Door	N/A	P106-530065-47
Molding, Windshield, Upper	N/A	P58-530165-7
Panel	N/A	P106-530035-9
Notes: 1 Add -LB for light beige or -LG for light gray		
56TC		
TG-2 thru TG-83		
Description	Fig	Part Number
Molding, Window, Aft, LH	N/A	P96-430010-71-LB
Molding, Window, Aft, RH	N/A	P96-430010-72-LB
A56TC		
Description	Fig	Part Number
Molding, Window, Aft, LH	N/A	P96-430010-71
Molding, Window, Aft, RH	N/A	P96-430010-72
B36TC		
Description	Fig	Part Number
Cover, Escape Hatch	N/A	P106-530050-1
Escutcheon, Armrest, Co-Pilot	N/A	P106-530079-6
Escutcheon, Inertia Reel	N/A	P106-530074-1
Escutcheon, Overhead	1	P106-530042-1
Molding, Cabin Door	2	P58-530222-43
Molding, Cabin Door	N/A	P106-530075-3
Molding, Window, Forward, LH	N/A	P106-530065-21
Molding, Window, Forward, RH	N/A	P106-530065-245
Molding, Window, Utility Door	N/A	P106-530065-47
Molding, Windshield, Upper	N/A	P58-530165-7
Panel	N/A	P106-530035-9
Notes: 1 Add -LB for light beige or -LG for light gray		
D55		
Description	Fig	Part Number
Molding, Window, Aft, LH	N/A	P96-430010-71
Molding, Window, Aft, RH	N/A	P96-430010-72
E55		
Description	Fig	Part Number
Cover, Escape Hatch	N/A	P106-530050-1
Escutcheon, Inertia Reel	N/A	P106-530074-1
Escutcheon, Overhead	1	P106-530042-1
Molding, Cabin Door, Upper	N/A	P106-530075-3
Molding, Windshield, Upper	N/A	P58-530165-7
Panel	N/A	P106-530035-9
G36, G58		
Description	Fig	Part Number
Cover, Escape Hatch	N/A	P106-530050-1
Escutcheon, Armrest, Co-Pilot	N/A	P106-530079-6
Escutcheon, Inertia Reel	N/A	P106-530074-1
Molding, Cabin Door	2	P58-530222-43
Molding, Cabin Door	N/A	P106-530075-3
Molding, Window, Forward, LH	N/A	P106-530065-21
Molding, Window, Forward, RH	N/A	P106-530065-245
Molding, Window, Utility Door	N/A	P106-530065-47
Molding, Windshield, Upper	N/A	P58-530165-7
Panel	N/A	P106-530035-9
Notes: 1 Add -LB for light beige or -LG for light gray		



More photos coming soon!

Eligibility for Mooney Aircraft

M20C,D,E,F,G		
S/N All		
Description	Fig	Part Number
Console Assy, Headliner	N/A	P130160
Cover Assy, Circuit Breaker	N/A	P820061-503
Cover Assy, Hat Rack	N/A	P130087
Cover Assy, Nose Wheel	N/A	P130103
Cover Assy, Front Lower	N/A	P130103-9
Cover, Hat Rack Strip	N/A	P130062-501
Cover, RH, Black	N/A	P130103-15
Cover, Vent Outlet	N/A	P640042-03
Door Assy	N/A	P820024-17
Headliner, Hat Rack	N/A	P130079-55
Molding, Footwell LH	N/A	P130105-02
Molding, Footwell RH	N/A	P130105-01
Molding, Window, Rear RH	N/A	P130079-35
Molding, Windshield, RH	N/A	P130099-501
Panel Assy, Baggage Comp.	N/A	P130165
Panel Assy, Front LH	N/A	P130158-25
Panel Assy, Hat Rack, Aft	N/A	P130117
Panel Assy, Rear LH	N/A	P130158-17
Panel Assy, Rear RH	N/A	P130158-21
Panel, Armrest, RH	N/A	P130079-33
Panel Baggage Comp., Rear	N/A	P130090
Panel, Fuel Selector Valve	N/A	P610035-501
Trim Strip	N/A	P130079-29
Notes:		
1 Models C,D,E only		
2 Models C,D,E,F only		
3 Models C,E only		
4 Model E only		
5 Models E,F only		
6 Model F only		
7 Models F,G only		



Parts manufactured by PMA Products

Beechcraft

Description	Part Number	Model
Bearing, Main Strut Upper	CA50-810326	1900,1900C,D,F90,99,99A,A99A,B99,C99,100,A100,B100,200,200T,200C,200CT,B200,B200C,CT,T, 300,300LW,B300, B300C
Bearing, Nose Gear	CA99-820099	C90,E90,F90,99,99A,A65,70,B80,A99A,B99,C99,100,A100,B100,200,200T,200C,200CT,B200, B200C, B200CT,B200T
Bolt	CA101-810089-1 CA101-810090-3	1900,1900C,1900D,F90,C99,200,200T,200C,200CT,B200,B200C,B200CT,B200T 1900,1900C,F90,C99,200,200T,200C,200CT,B200,B200C,B200CT,B200T
Bolt, Main Gear	CA101-810090-1	1900,1900C,1900D
Bolt, Main Gear Drag Brace	CA101-810145-1 CA101-810146-1	300,300LW,B300,B300C
Bolt, Nose Gear	CA90-820011-1	C90,E90,F90,99,99A,A99A,B99,C99,100,A100,B100,200,200T,200C,200CT,B200,B200C, B200CT, B200T, 1900, 1900C,1900D
Bushing	CA101-810014-3	F90,99,99A,A99A,B99,C99,100,A100,B100,200,200C,B200,B200C,B200CT,B200T
	CA105739X-YN1437	1900,1900C,1900D
	CA105740X-YK0563	99,99A,A99A,B99
	CA105740X-YN0520	F90,99,99A,A99A,B99,C99,A100,B100
	CA115-610019	99,99A,A99A,B99,C99,100,A100,B100
	CA115-810066-3	F90,99,99A,A99A,B99,C99,100,A100,B100,200,200T,200C,200CT,B200,B200C,B200CT, B200T,300,300LW,B300, B300C,1900,1900C,1900D
	CA50-524476-1	65,80,A80,88,90,A90,B90,C90,E90
	CA50-524476-3	A100,B100,100,B99,200,200T,200C,200CT,F90
Bushing, Drag Link	CA99-810064-1 CA99-810064-3	1900,1900C,1900D,F90,C99,B200,B200C,B200CT,B200T,300,300LW,B300,B300C
Bushing, Gear Door	CA90-820010-1	C90
Bushing, Landing Gear	CA105740X-ZU0260 CA99-810060-1 CA101-810014-1	F90,99,99A,A99A,B99,C99,100,A100,B100,200,200C,B200,B200C F90,99,99A,A99A,B99,C99,A100,B100 F90,99,99A,A99A,B99,C99,100,A100,B100,200,200T,200C,200CT,B200,B200C,B200T,200CT
Bushing, Main Drag Link Center	CA99-810066-1 CA114-810038-1	1900,1900C,1900D,C90,E90,F90,99,99A,A99A,B99,C99,100,A100,B100,200,200T,200C,200CT,B200,B200C,B200CT, B200T,300,300LW, B300,B300C 1900,1900C,1900D
Bushing, Main Drag Link in Gear	CA114-810042-1 CA114-810049-3	1900,1900C,1900D
Bushing, Main Gear	CA115-810064-1	F90,99,99A,A99A,B99,A100,B100,200,200T,200C
Bushing, Main Torque Link Center	CA105740X-YA1625 CA105740X-YN0677	1900,1900C,1900D,200,200T,200C,200CT,B200,B200C,B200CT,B200T,300,300LW,B300,B300C
Bushing, Main Torque Link in Gear	CA101-810024-3	1900C,1900D
Bushing, Nose Attach Lug	CA114-820113-1	1900,1900C,1900D
Bushing, Nose Steering	CA105740X-ZV0312	A90,B90,C90,C90A,E90,F90,99,99A,A99A,B99,C99,200,200T,200CT,A200,A200C,B200,B200C,B200CT,B200T
Bushing, Nose Torque Link Center	CA105740X-YA0630	1900,1900C,1900D,90,A90,B90,C90,E90,F90,99,99A,A99A,B99,C99,100,A100,B100,200,200C, 200T,200CT,B200, B200T,B200C,B200CT,300,300LW,B300,B300C
	CA105740X-YN0625	1900,1900C,1900D,300,300LW,B300,B300C,90,A90,B90,C90,C99,E90,F90,99,99A,A99A,B99, 100,A100,B100, 200,200T,200C,200CT,B200,B200C,B200CT,B200T
	CA90-810019-1	C90,E90,F90,C99,100,A100,B100,200,200T,200C,200CT,B200,B200C,B200CT,B200T,300,300LW,B300, B300C,1900,1900C,1900D
Bushing Nose Upper Torque Link	CA50-810034	1900,1900C,1900D,300,300LW,B300,B300C,90,99,99A,A90,A99A,B90,B99,C90,C99,E90,F90,100,A100, B100, 200,200T,200C,200CT,B200,B200C,B200CT,B200T
Bushing, Steering Roller	CA114-820062-1	1900,1900C,1900D
Bushing, Torque Link	CA45-815013	33,35,36,55,58
	CA101-810024-5	1900C,1900D
	CA105740X-YD0160	99,99A,A99A,B99,C99
Carbon Block	CA3026	A90,B90,C90,C90A,E90,F90,99,99A,A99A,B99,C99,100,A100,200,200T,200C,200CT,B200,B200C,B200CT,B200T, 300,300LW,B300,B300C,1900,1900C,1900D
Carbon Block Assembly	CA3044	A90,B90,C90,E90,F90,99,99A,A99A,B99,C90A,C99,100,A100,200,200T,200C,200CT,B200,B200C,B200CT, B200T, 300,300LW,B300,B300C,1900,1900C,1900D
Drag Leg Hook Pins	CA50-810343-5 CA50-810343-7	F90 S/N LA-2 & On, 99,99A,A99A,B99,C99 S/N U-1 thru U-49,U-51 thru U-164,100,A100,B100 200 S/N BB-2 thru BB-73,BB-735 thru BB-792,BB-794 thru BB-828,BB-830 thru BB-853, BB-871 thru BB-873, BB-892,BB893 and BB-912,200T S/N BT-1 thru BT-22, 200C S/N BL-1 thru BL-200CT S/N BN-1, B200 S/N BB-734,BB-793,BB-829,BB-854 thru BB-870, BB-874 B-891, BB-894 thru BB-911, BB-913 thru BB-1157, BB-1159 thru BB-1166, BB1168 thru BB-1192, B200T S/N BT-23 thru B5.235T-27, BT29,BT30,B200C S/N BL-37 thru BL-72, B200CT S/N BN-2-BN-4
Filter & Gasket Kit	CA42370	55,A55,B55,C55,D55,E55,56TC,A56TC,58,58P,58TC,60,A60,B60,A65,70,B80,E95,C90,E90,F90,100,A100,200,200T, 200C,99,99A,A99A,B99,C99
Fuel Pump	CA476284E-1	55,A55,B55,C55,D55,E55,56TC,A56TC,58,58P,58TC,60,A60,B60,A65,70,B80,E95,C90,E90,F90,100,A100,200,200T, 200C,99,99A,A99A,B99,C99
Nose Attach Lug	CA114-820113-1	1900,1900C,1900D
Seal, Drain Valve	CACCA1269	
	CACCA1319	A55,B55,B55A,C55,C55A,D55,D55A,E55,E55A,58,58A,95-55 (not recommended for use with autogas)
Seal, Fuel Cap	CA38241	99,99A,A99A,B99,C99,100,A100,B100,200,200T,200C,200CT,B200,B200C,B200CT ,B200T, B300, B300C, 1900, 1900C,1900D
	CA457-98	E90,F90,99,99A,A99A,B99,C99,100,A100,B100,B200,B200C,B200CT,B200T,200,200T,200C,200CT
Seat Foot	CA100-530448-5	C90,C90A,C90(SE),E90,F90,A100,B100,200,200T,200C,200CT,B200,B200C,B200CT
	CA100-530448-7	C90,C90A,E90,F90,A100,B100,200,200T,200C,200CT,B200,B200C,B200CT
	CA50-534436-5	65,80,A80,88,90,A90,99,99A,A99A,B90,B99,C99,100,A100,B100
Stall Switch Assembly	CA450-742N	35-33,35-A33,35-B33,35-C33,35-C33A,E33,F33A,F33,F33C,G33,H35,J35,K35,M35,N35,P35,S35, V35,V35A, V35B,36,A36,C35,D35,E35,F35,G35
Static Discharger	ESD-3	Various Models - No FAA-PMA Approval
Switch, Mic	CA601-4300 CA99-340253-1	F90,C99,100,A100,B100,200,200T,200C,200CT,300,300LW,B300,B300C 1900,1900C,B200,B200C,B200CT,B200T
Tab Washer	CA45A16122-037 New!	400A and 400T
Torque Link Pin	CA101-810025-1	200, 300 and 1900 Series

Continues on next page



Continued from previous page

Beechcraft

Description	Part Number	Model
Upper Bearing, Main Strut	CA50-810326	F90,99,99A,A99A,B99,C99,100,A100,B100,200,200T,200C,200CT,B200,B200C,B200CT,B200T,300LW,B300,B300C,300,1900,1900C,1900D
Washer	CA50-105000-3	C90,B200,B200C,B200T,300LW,300,B300,B300C,1900,1900C
Washer, Thrust	CA115-810074	F90,99,99A,A99A,B99,100,A100,B100,200,200T,200C,200CT,B200,B200C,B200CT,B200T
Wiper Blade	CA50-384082	A65,70,B80,C90,E90,F90,99,99A,A99A,B99,C99,100,A100,B100,200,200T,200C,200CT,B200,B200C, B200CT,B200T,300LW,B300,B300C,300,1900,1900C,1900D
Yoke	CA3025	A90,B90,C90,E90,F90,99,99A,A99A,B99,C90A,C99,100,A100,200,200T,200C,200CT, B200,B200C, B200CT,B200T,300,300LW,B300,B300C,1900,1900C,1900D

Cessna

Filter & Gasket Kit	CA42370	310Q, 310R, 335, 340, 340A, 401B, 402B, 402C, 404, 414, 414A, 421B, 425, 441, 525, 560, 650
Gasket, Fuel Bowl	CAB3-11-1	310,320,335,336,337,340,401,402,404,411,414,421
Pump, Fuel/Alcohol	CA6508092-1A	310G,H,I,J,J-1,K,L,N,P, 310G0001 thru 310P0179, 310Q,310R, E310H,J, 320A,B,C,D,E,F, 335, 340,340A, 401,401A 401-0001 thru 401A0132, 401B, 402, 402A, 402-0001 thru 402A0069, 402B,402C,411,411A,414,414A,421,421A, 421-0001 thru 421A0111, 404,421B,421C,425,441,500, 525,550,560,650
Seal, Fuel Cap	CA38241	525,650,680,750

Dehavilland

Carbon Block Assy	CA4731	HC-6
-------------------	--------	------

Embraer

Back up Ring	CABDS3115-026C	120
--------------	----------------	-----

Lear

Bolt, Main Gear	CA2341114-3	24,25,31,35,36,55,60
-----------------	-------------	----------------------

McCauley Propellers

Carbon Block	CAB5121	This part number is eligible on all make & model aircraft with the following propellers installed: 3GFR34C701,702, 703,4HFR34C754,762,766,768,771,4JFR34C758,5JFR36C1003
--------------	---------	--

Mooney

Seal, Fuel Cap	CA38241	M20C,D,E,F,G,J
Transducer, Fuel Pressure	CA880007-501	M20J
Transducer, Oil Pressure	CA880008-501	M20J

Piper

Aileron Rod	CA62766-000	PA28-140,150,160,180,235, PA28R-180,200, PA-32-260, PA-32-300, PA-32R-300
Barrel, Trim	CA63530-100	PA28 Series, PA32-260,300,301,301T,PA32R-300,301,301T PA28-201T S/N 28-7921001 to 28-7921095
Bearing	CA96596-002	PA34-200,200T,220T
Bearing, Main Gear	CA67026-011	PA28R-200,201,201T,PA28RT-201,201T,PA32R-300,301,301T,PA32RT,PA44-180,180T
Bearing, Flap	CA452-387	PA28-140,150,151,160,161,180,181,235,236,201T,PA28R-180,200,201,201T,PA28RT-201,201T, PA32-260,300,301,301T,PA32R-300,301,301T,PA32RT,PA34-200,200T,220T,PA44-180,PA46-310P,350P
Bearing, Rod End	CA452-575	PA24-180,250,260,400,PA28R-180,200,201,201T,PA28RT-201,201T,PA30,PA32R-300,301,301T,PA32RT, PA34-200,200T,220T,PA39,PA44-180
Bearing, Rod End	CA452-334A	PA28-140,150,151,160,161,180,181,235,236,201T,PA28R-180,200,201,201T,PA28RT-201,201T, PA32-260,300,301,301T,PA32R-300,301,301T,PA32RT-300,300T,PA34-200,200T,220T,PA44-180,PA46-310P,350P
Bearing, Rod End	CA452-335A	PA23-150,160,235,250,PA28-140,150,151,160,161,180,181,235,236,201T,PA28R-180,200,201,201T, PA28RT-201,201T,PA31P,PA31P-350,PA31T1,2,PA32-260,300,301,301T,PA32R-300,301,301T,PA32RT-300,300T, PA34-200,200T,220T,PA42,PA42-720,1000,PA44-180,PA46-310,350P
Bearing, Rod End	CA452-336A	PA28-140,150,151,160,161,180,181,235,236,201T,PA28R-180,200,201,201T,PA28RT-201,201T, PA32-260,300,301,301T,PA32R-300,301,301T,PA32RT-300,300T,PA34-200,200T,220T,PA44-180
Bearing, Rod End	CA452-368	PA28R-180,200,201,201T,PA28RT-201,201T,PA32R-300,301,301T,PA32RT,PA34-200,200T
Bearing, Rod End	CA452-412	PA24-180,250,260,400,PA31-300,310,325,350,PA42,PA42-720,1000,PA31P-350,PA31P,PA31T1,2,PA30, PA31-350-T1020,PA39,PA46-301P
Bearing, Rod End	CA452-439	PA23-235,250,250(6),PA28RT-201,201T,PA31-300,310,325,350,PA31-350-T1020,PA31T-1,2,PA31P, PA31P-350,PA32RT,PA42,PA42-720,1000,PA44-180
Bearing, Rod End	CA452-860A	PA46-310P,350P
Bearing, Rod End	CA452-584	PA28-151,161,PA28R-180,200,201,201T,PA32R-300,301,301T,PA32RT-300T,PA34-200T,220T,PA36-285, 300,375, PA44-180
Bearing, Stabilator Hinge	CA452-394	PA28-151,161,181,236,201T,PA28R-201,201T,PA32-260,300,301,301T,PA32R-300,301,301T
Bearing, Stabilator Hinge	CA452-538	PA28RT-201,201T,PA32RT,PA34-200,200T,220T,PA44-180
Bulkhead Spinner Forward	CA87325-010	PA28-161
Bulkhead, Spinner Rear	W35323-012	PA28-151
Bulkhead, Spinner Rear	W587-330	PA28-151
Bumper, Nose Gear Torque Link Ext	CA79072-000	PA28-140,150,151,160,161,180,181,235,236,PA32-260,300,301,301T
Bushing, Main Gear Torque Link	CA20737-040	PA31-300,325,350,PA31-350-T1020,PA31P,PA31P-350,PA31T1,2,PA42,PA42-720,1000
Bushing, Nose Gear Torque Link Lower	CA453-903	PA31P-350
Bushing, Main Gear Retract Truss Act. Attach	CA63900-089	PA28R-180,200,201,201T,PA28RT-201,201T,PA32R-300,301,301T,PA32RT,PA34-200T,220T,PA44-180
Bushing, Outboard Flap Track	CA86102-104	PA31-300,310,325,350,PA31P,PA31P-350,PA31T1,2
Bushing, Center Flap Track	CA86102-105	PA31-300,310,325,350,PA31P,PA31P-350,PA31T1,2
Bushing, Inboard Flap Track	CA86102-106	PA31-300,310,325,350,PA31P,PA31P-350,PA31T1,2
Bushing, Aileron Center Hinge	CA95061-108	PA28-151,161
Bushing, Nose Gear Torque Link Upper	NAS75-5-011	PA31-300,PA31-350,PA31-350-T1020,PA31P,PA31P-T1040,PA42-720,1000
Bushing, Main Gear Torque Link Upper	NAS75-6-011	PA31-300,PA31-350,PA31-350-T1020,PA31P,PA31P-350,PA31T1,2,3-T1040,PA42-720,1000
Bushing, Main Gear Torque Link Center	NAS75-7-011	PA31-300,PA31T-1,2,3-T1040,PA31P,PA31P-350,PA31-350-T1020,PA42-720,1000
Bushing, Nose Gear Retract Brace Upper Attach	NAS75-7-014	PA31
Bushing, Stabilator Trim Linkage	NAS76A3-004	
Bushing, Stabilator Trim Linkage	NAS76A3-019	PA34-200,200T,220T
Bushing, Stabilator Trim Linkage	NAS76A3-023	
Bushing, Main Gear Attach Trunnion	NAS77-10-094	PA31-300,PA31-350,PA31-350-T1020,PA31P,PA31P-350,PA31T-1,2,3-T1040
Bushing, Main Gear Retract Brace Upper Attach	NAS77-18-050	PA31P-350,PA42-720,1000
Bushing, Nose Gear Torque Link Center	NAS77-4-042	PA31T-1,2,3-T1040,PA31P,PA31P-350,PA31-350-T1020,PA42-720,1000

1 Approved for all S/Ns including S/N 500-0001 thru 500-0040 incorporating SB30-1, and S/N 500-0001 thru 500-0213 incorporating SB21-9.
2 Applicable to the following only if Service Kit SK421-26C is installed: 310G,H,I,J,J-1,K,L,N,P* 310G0001 thru 310P0179, E310H,J, 320A,B,C,D,E,F, 401, 401A 401-0001 thru 401A0132, 402, 402A, 402-0001 thru 402A0069, 411, 411A, 421, 421A, 421-0001 thru 421A0111

Continues on next page



Continued from previous page

Piper

Description	Part Number	Model
Bushing, Elevator Tab Hinge Assy	NAS77-5-019	PA31-300,350,T1020,PA31P-350,PA31T-1,2,3-T1040
Bushing, Nose Gear Torque Link Upper	NAS77-5-042	PA31-300,PA31-350,PA31-350-T1020,PA31P,PA31P-350,PA31T,1,2,3-T1040,PA42-720,1000
Bushing, Main Gear Torque Link Center	NAS77-7-035	PA31-300,PA31-350,PA31-350-T1020,PA31P,PA31P-T1040,PA42-720,1000
Bushing, Nose Gear Retract Link to Brace Attach	NAS77-7-038	PA31-300,PA31-350,PA31-350-T1020,PA31P,PA31P-350,PA31T,1,2,3-T1040,PA42-720,1000
Bushing, Nose Gear Retract Brace Upper Attach	NAS77-7-040	PA31-300,PA31-350,PA31-350-T1020,PA31P,PA31P-350,PA31T,1,2,3-T1040,PA42-720,1000
Bushing, Nose Gear Retract Link to Brace Attach	NAS77-7-068	PA31-300,PA31-350,PA31-350-T1020,PA31P-350,PA31T,1,2,3-T1040,PA42-720,1000
Bushing, Main Gear Retract Brace Upper Attach	NAS77-8-038	PA31P-350
Bushing, Main Gear, Link to Strut Attach	NAS77-8-044	PA31-300,PA31-350,PA31-350-T1020,PA31P,PA31P-350,PA31T-1
Bushing, Main Gear Retract Brace Upper Attach	NAS77-8-084	PA31-300,PA31-350,PA31-350-T1020,PA31P,PA31P-350,PA31T-1
Bushing, Main Gear Retract Link to Brace Attach	NAS77-8-072	PA31P-350
Bushing, Cabin Door Mechanism	CA20737-044 CA41413-041	PA31-300,310,325,350,PA31-350-T1020
Bushing, Flap Hinge, Center and Outboard	CA63900-019	PA28-140,150,160,180,235,PA28R-180,200,201,201T,PA28RT-201,201T,PA32-260,300,301,301T, PA32R-300,301,301T,PA32RT,PA34-200,200T,220T,PA44-180
Bushing, Flap Track Inboard, Outboard, Center	CA41413-005	PA31-300,310,350,PA31P,PA31P-350,PA31T-1,2
Bushing, Main Gear Housing Attach	CA20737-023	PA31-300,310,325,350,PA31-350-T1020,PA31P,PA31P-350,PA31T,2
Bushing, Main Gear Retract Brace Upper Attach	CA14843-016	PA24-180,250,260,400,PA28R-180,200,201,201T,PA30,PA32R-301,301T,PA32-300,PA32RT,PA34-200,200T,PA39
Bushing, Nose Gear Retract Link to Brace Attach	CA14843-018	PA24-180,250,260,400,PA30,PA39
Bushing, Main Gear Side Brace Stud Brace Attach	CA65003-041	PA28RT-201,201T,PA32R-301,301T,PA34-200,200T,PA44-180
Bushing, Main Gear Brace to Link Attach	CA65003-044	PA28R-180,200,201,201T,PA28RT-201,201T,PA32R-300,301,301T,PA32RT,PA34-200,200T,PA44
Bushing, Main Gear Side Brace Stud/Wing Attach	CA67026-012	PA34-200T,PA44-180
Bushing, Main Gear Torque Link Lower	CA43256-002	PA31P,PA31P-350,PA31-300,310,325,350,PA31-350-T1020,PA31T,1,2,PA42-720,1000,PA42
Bushing, Main Gear Housing Attach	CA43256-005	PA31P-350,PA31-300,310,325,350,PA31-350-T1020,PA31T,1,2
Bushing, Nose Wheel Steering Arm Inner	CA63900-109	PA28R-180,200,201,PA28RT-201,PA32R-300,301,301T,PA32RT
Bushing, Nose Wheel Steering Arm Outer	CA63900-122	PA28R-180,200,201,PA28RT-201,PA32R-300,301,301T,PA32RT
Bushing, NG Retract Link to Housing Attach	CA65003-046	PA28R-180,200
Bushing, NG Retract Brace RH Upper Attach	CA95061-133	PA32R-300,301,301T,PA32RT-300,300T
Bushing, Nose Gear Retract Brace Upper Attach	CA65003-045	PA28R-180,200,201,201T,PA28RT-201,201T,PA32R-300,301,301T,PA44-180
Bushing, Nose Gear Housing Top and Bottom	CA40250-002	PA31-300,310,325,350,PA31-350-T1020,PA31P,PA31P-350,PA31T-1,2,PA42,PA42-720,1000
Bushing, Main Gear Torque Link Upper	CA43256-006	PA23-235,250,250(6),PA31P, PA31P-350,PA31-300,310,325,350,PA31-350-T1020,PA31T-1,2,3, T1040,PA42,PA42-720,1000
Bushing, Nose Gear Retract Idler to Link Attach	CA20737-032 CA41413-038	PA31-300,310,325,350,PA31P,PA31P-350,PA31T-1,2,PA42,PA42-720,1000 PA23-235,250,PA24-260,PA25-150,235,PA31-300,310,325,350,T1020,PA31P,PA31P-350,PA31T-1,2,3, PA30,PA39,PA42-720,1000
Bushing, Seat Roller	CA65003-047 New! CA95061-106 New!	PA28-140,150,160,180,235,PA28R-180,200,201,201T,PA28RT-201,201T,PA32-260,300,PA32R-300,301,301T, PA32RT-300,300T,PA34-200,200T,220T,PA44-180,180T PA28-140,151,161,180,PA28R-180,PA28-181,PA28R-200,PA28-201T,PA28-236,PA28R-201,201T,PA28RT-201, 201T,PA32-260,300,32R-300,32-301,301T,301FT,301XTC,32R-301,301T,32RT-300,300T,PA34-200, 200T,220T, PA44-180,180T,PA46-310P,350P,500T,46R-350T
Bushing, Nose Gear Steering Arm Outer	CA14976-102	PA30,PA31-300,310,325,350,PA31-350-T1020,PA39
Bushing, MG Torque Link Spacer Upper/Lower	CA63310-000	PA28-140,150,151,160,161,180,181,235,236,201T,PA32-260,300,301,301T
Bushing, Main or Nose Torque Link Lower Attach	CA67026-007	PA28R-180,200,PA28RT-201,201T,PA32R-300,301,301T,PA32RT,PA34-200,200T,220T,PA44-180, PA46-310P,350P
Bushing, Nose Gear Torque Link Center	CA77780-005	PA38
Capacitor Assembly, Alternator Output	CA63897-006	PA28-140,151,180,181,R-200,RT-201,RT-201T, PA32-260,R-300,RT-300,301,R301,301T
Fastener, Fuel Cap Cover Door 1/2 Turn	CA26246-000	PA24-180,250,260,PA30,PA32-260,300,301,PA32R-300,301,PA32RT-300,PA39
Filter & Gasket Kit for Bendix Style Electric Fuel Pump	CA42370	PA23,PA23-160,250,250(6),PA24,PA24-250,260,PA28-140,151,161,150,160,180,181,PA28-235,236, PA32-260, PA38-112,PA44-180
Fuel Cap, Thermos Type	CA16097N CA17672N CA27221N	PA23-235,250 PA23, PA23-160 PA24-180,250,260,400,PA30,PA39
Fuel Cap Gasket	CA66815-000A	PA28-140,150,151,160,161,180,181,201,235,236,201T,PA28R-180,200,PA28RT-201,201T,PA32-260, 300,301,301T,PA32R-300,301,301T,PA32RT-300,300T,PA34-200,220T,PA38-112,PA44-180,180T
Fuel Pump	CA62220-004	PA-28-161 S/N 2816110 thru 2816119 and 2842001 and up. PA-28-181 S/N 2890206 thru 2890231, 2843001 thru 2843820, 2843822 thru 2843851 and 2843853 and up with Lycoming O-360-A4M engine.
Fuel Pump, Electric	CA35328-800E CA65628-800E	PA23,PA23-160,250,250(6),PA24,PA24-250,260,PA28-140,151,161,150,160,180,181,PA38-112 PA28-235,236,PA32-260,PA44-180
Gasket, Fuel Strainer (not recommended for use with autogas)	CA462-049	PA28-140,150,151,160,161,180,181,236,201T,PA28R-180,200,201,201T,PA28RT-201,201T,PA38
Gasket, Fuel Strainer	CA751-871	PA24-400,PA28-235,PA32-260,300,PA30,PA39
Hinge, Aileron	62371-108 CA35636-100	PA28-140,150,160,180,181,235,236,201T,PA28R-180,200,201,201T,PA28RT-201,201T,PA32-260, 300, PA32RT-300,300T,PA34-200 PA28-151,161,181,PA28R-201,201T,PA28-236,201T,PA28RT-201,201T
Hinge Pin, Stabilator Tab Outboard	CA62002-002	PA28-140,151,151,160,161,180,181,201T,235,236,PA28R-180,200,201,201T,PA28RT-201,201T, PA32-260,300,301,301T,PA32R-300,301,301T,PA32RT-300,300T,PA44-180,180T
Hinge Pin, Stabilator Tab Center	CA62002-003	PA28-140,151,151,160,161,180,181,201T,235,236,PA28R-180,200,201,201T,PA28RT-201,201T, PA32-260,300,301,301T,PA32R-300,301,301T,PA32RT-300,300T,PA34-200,220T,PA44-180,180T
Hinge Pin, Stabilator Tab Inboard	CA62002-004	PA28-140,151,151,160,161,180,181,201T,235,236,PA28R-180,200,201,201T,PA28RT-201,201T, PA32-260,300,301,301T,PA32R-300,301,301T,PA32RT-300,300T,PA34-200,220T,PA44-180,180T
Hinge, Tab, Stabilator Outboard	CA63560-002	PA28,PA28R,PA32,PA32R
Hinge, Tab, Stabilator Inboard and Center	CA63560-003	PA28-140,150,151,160,161,180,181,235,236,201T,PA28R-180,200,201,201T,PA32,PA32R
Hinge, Tab, Stabilator Half	CA95864-002 CA95866-002	PA34-200,200T,220T

Continues on next page



Continued from previous page

Piper

Description	Part Number	Model
Pitot Heater Element	CA464-356	PA28-151,161
	CA464-357	
	CA464-440	
	CA464-441	
Ring Scraper, Main Gear Strut	MS28776M2-18	PA28-140,150,151,161,180,181,235,236,PA32-260,300
Seat Roller CA18698-000 (measures 0.42") CA87332-002 (measures 0.62")	CA18698-000	PA28-140,150,151,160,161,180,181,235,236,PA28R-180,200,PA32-260,300,301,301T,PA32R-300,301,301T,PA32RT,PA34-200,200T,220T,PA46-310P,350P
	CA87332-002	
Shaft, Stabilator Trim Jack Screw	CA65246-002	PA34-200,200T,220T
	CA65246-100	PA28-140,150,151,160,161,180,181,235,236,201T S/N 28-7921001 to 28-7921095, PA28R-180,200,201,201T, PA32-260,300,301,301T,PA32R-300,301,301T
Stall Switch Assembly	CA450-742N	PA23-235,250, PA24-250,260,400, PA28-140,150,151,160,161,180,181,235,236,201T, PA28R-180,200,201,201T,PA28RT-201,201T, PA30, PA31-300,325,350, PA32-260,300, PA32R-300, PA34-200, PA38, PA39
Strut, Alternator Brace	CA78483-000	PA28-150,160,180,235,PA28R-180,200
Switch, LH Main Gear Down Limit	CA67411-002	PA28R-180,200,201,201T,PA28RT-201,201T,PA32R-300,301,301T,PA32RT,PA34-200,200T,220T
Switch, Nose Gear Down Limit	CA67411-003	PA28R-180,200,201,201T,PA28RT-201,201T
Switch, RH Main Gear Down Limit	CA67411-004	PA28R-180,200,201,201T,PA28RT-201,201T,PA32R-300,301,301T,PA32RT,PA34-200,200T,220T
Switch, LH Main Gear Up Limit	CA67411-005	PA28R-180,200,201,201T,PA28RT-201,201T,PA32R-300,301T,PA32RT,PA34-200,200T
Switch, Nose Gear Up Limit	CA67411-006	PA28R-180,200,201,201T,PA28RT-201,201T,PA32R-300,301,301T,PA32RT
Switch, RH Main Gear Up Limit	CA67411-007	PA28R-180,200,201,201T,PA28RT-201,201T,PA32R-300,301,301T,PA32RT,PA34-200
Switch, LH Main Gear Squat	CA67411-008	PA28R-180,200,201,201T,PA28RT-201,201T,PA32R-300,301,301T,PA32RT,PA34-200,200T
Switch, RH Main Gear Up Limit & Ground Op. Fan	CA67411-020	PA34-200T
Switch, Nose Gear Down Limit	CA67411-021	PA32R-300,301,301T,PA32RT
	CA95232-000	PA34-200,200T
Transducer, Fuel Pressure	CA486-439	PA-28-181 S/N 2843001 thru 2843027 and 2890206 and up if electric fuel pressure sender is installed. PA38-112, PA-44-180
Transducer, Oil Pressure	CA486-440	PA38-112
Tube, Nose Gear Strut Inner Lower	CA65280-000	PA28-140,150,151,161,180,181,235,236,PA32-260,300
Universal Joint, Control Wheel Shaft	CA46203-002	PA31-300,310,325,350,350-T1020,31P-350,31T,31T1,31T2
Universal Joint, Control Wheel Shaft <i>For complete eligibility see page 196</i>	CA62834-802SS	PA28-140,150,151,160,161,180,181,235,236,PA28R-180,200,201,201T, PA32-260,300,301T,PA32R-300,301,301T,PA32S-300,PA34-200,200T,220T
	CA187-625	PA-22, PA-22-108,135,150,160, PA-23, PA-23-160,235,250, PA-E23-250, PA-24, PA-24-250,260,400, PA28-140,150,151,160,161, 180,181,235,236, PA-30, PA-31P, PA-39, PA-32-260,300,301FT,301XTC,301,301T

Pratt & Whitney

Bearing, Rod End	CG3011587	See page 336
Fuel Transfer Tube	CA3011155	See page 336
	CA3020030	
Diaphragm	CA3103346-01	See page 336
	CA3103347-01	
Gasket	CA3118962-01	See page 336
Gasket Fuel Manifold	CA3101469-01	See page 336
Gasket Fuel Nozzle	CA3029566	See page 336
	CA3029678	
	MS9371-16	
Retainer Plate	CA3103345-01	See page 336
Shim, Prop Shaft	CA3110998-01	See page 336

SAAB

Bushing	CAIR130986	340 Series S/N 004 thru 999
	CAIR130988	





Create Your Go-Anywhere Adventure!
Alaskan Bush Pilot Tested for over 50 Years!

Photo courtesy of F Atlee Dodge Aircraft Service

Parts for Bush Aircraft manufactured by F. Atlee Dodge
Complete FAA-PMA Product Line

F. Atlee Dodge Aircraft Services is well known for high quality STC modifications and FAA-PMA products for Piper Super Cubs and Cessna aircraft. Their innovative designs are the result of over 50 years of experience keeping planes flying and productive in the rugged Alaskan wilderness.

- Make your airplane more rugged (*Alaskan Bush Tough!*)
- Improve safety
- Improve Horsepower
- Increase utility
- Decrease weight

Complete stock
in the lower 48 for
fast, economical
delivery!

Carb Heat Box

Longer Life
P/N AD15005-00

- PA-18 Series aircraft
- Self lubricating bearing for longer service life
- Manufactured from 304 stainless steel to prevent corrosion and rust.
- FAA-PMA



Weld on Float Fittings

Better than cheap copies
P/N 3143-12

PA-12, 12S, PA-14

P/N 3143-18

PA-18S-125, PA-18AS-125,
PA-18S-135, PA-18AS-135,
PA-18S-150, PA-18AS-150

Beefy, heavy construction, made from 4130 alloy steel.

- Used with Aerocet, Bauman, and EDO floats
- Sold in pairs - FAA-PMA/STC



Copied but never duplicated!

Heavy Duty Muffler for PA18

This muffler will last!
P/N 3241

- Heavier 321 stainless steel
- FAA-PMA/STC approved

Eliminates 50 hour inspections for AD68-05-01.

HOT-ROD Muffler for PA18

P/N 3241HR

More Horsepower, increased rate of climb and throttle response!

Lower oil and exhaust gas temperatures

- Larger chamber can and exhaust pipe for better gas flow
- No core or baffling inside to improve flow
- Larger inside diameter lets the engine breathe

Direct replacement FAA-PMA/STC approved

- New shroud, clamps and tailpipe clamp included
- Eliminates AD-68-05-01
- No modification to the cowling required
- Longer tailpipe keeps the airplane cleaner



More Horsepower!

Air Filter Dome for PA18-150

Reinforced to go the distance
P/N 3281

- Reinforced with a doubler around the attach hole
- Powder coated white
- FAA-PMA approved



Two Piece Pre-Heat Shroud for PA-18

Makes exhaust inspection easy
P/N 3182

No need to remove the exhaust stack to remove the shroud.

- Clamps tight over the muffler
- FAA-PMA/STC approved



Muffler Shroud for PA-18

Don't fight the old lock bars!
P/N 3236

Quicker and easier to install than the original.

- Fits tight
- Two Piece
- FAA-PMA/STC approved





Parts manufactured by
F. Altee Dodge

Make sure your Landing Gear can Take the Abuse!



Photo courtesy of Steve Pierce taken at Mile High Cliffs, Wrangell St. Elias National Park, Alaska

Heavy Duty Main Landing Gear
2000 lb gross weight model

PA-18 and PA-19

Standard Height Gear

- 1-1/4" axle use P/N 3225-1 (LH) and 3225-2 (RH) **1**
- 1-1/2" axle use P/N 3225-1A (LH) **1** and 3225-2A (RH) **1**

3" Extended Height Gear

- 1-1/4" axle use P/N 3284-1 (LH) and 3284-2 (RH)
- 1-1/2" axle use P/N 3284-1A (LH) **1** and 3284-2A (RH) **1**

The 3" extended landing gear gives more height and prop clearance, which is especially important for sand or gravel landings.

FAA-PMA/STC approved.

Powder coat finish. Also available with Epoxy primer, Gloss White or "Wolf Hunter" Black for an additional charge.

Note:

Can be used on models J-3, PA-11, PA-12 and PA-14, but requires another STC modification involving additional parts and welding. Call for more information.

1 FAA Approval Pending



Safety Cables

Don't let a bungee failure cost you an airplane!

P/Ns 2089-12, 2089-18, 3344-12 and 3344-18

- PA-12, PA-12S, PA-14 with standard gear use **P/N 2089-12**
- PA-12, PA-12S, PA-14 with 3" extended gear use **P/N 3344-12**
- PA-18 and PA-19 series with standard gear use **P/N 2089-18**
- PA-18 and PA-19 series with 3" extended gear use **P/N 3344-18**

Heavy 1/4" cable will get you home!



Main Gear Shock Struts

Heavy duty - but lightweight

P/Ns 3164-1, 3164-2, 3164-3 and 3164-4

- PA-12, PA-12S, PA-14, PA-18, PA-18-135, 150, PA-18-A135, A150, PA-18 with standard landing gear use **P/N 3164-1**
- PA-12, PA-14 with standard landing gear use **P/N 3164-2**
- PA-18 with 3" ext. landing gear use **P/N 3164-3**
- PA-12, PA-14 with 3" ext. landing gear use **P/N 3164-4**
- For standard or 3" extended landing gear
- Sold individually, uses 2 per aircraft
- Powder coat finish. Also available with Epoxy primer, Gloss White or "Wolf Hunter" Black for an additional charge.



Cabane Vee

Alaska tough!

P/N 3166-1 and 3166-2

- PA-12, PA-12S, PA-14 use **P/N 3166-2**
- PA-18, PA18-105, PA-18-125, PA-18-135, PA-18-A135, PA-18-150, PA-18-A150 use **P/N 3166-1**
- Beefed up in the right places
- Tough powder coat finish.
- Available in Gloss White for an additional charge
- 2 sizes - stock and 3" extended gear
- FAA-PMA/STC approved



Refueling Step

No more step ladders

P/Ns 3190/-10, 3190/-11, 3190/-12

- J3C-65, J3F-50, J3F-60, J3F-65, J-3L, J3L-65, J-4, J-4A, J-4B, J-5A, J5C, PA-11, 12, 14, 15, 16, PA18-105, 125, 135, A-135, 150, A-150, PA-19, PA-20, PA-20-115, PA-20-135, PA-22-108, 135, 150, 160

Clamps onto the main gear leg for easier refueling.

- Select part number by landing gear front tube OD:
1.25" OD use **P/N 3190/-10**
1.375" OD use **P/N 3190/-11**
1.5" OD use **P/N 3190/-12**
- Powder coated white, available in "Wolf Hunter" Black for an additional charge
- FAA-PMA/STC approved



Main Gear Long Step

Easy clamp-on modification

Much easier cabin entry

P/N 3195

AE-1, HE-1, J3, J4, J5, PA-11, PA-12, PA-14, PA-18 and PA-19 Series

The Main Landing Gear Long Step is usable on both sides of the aircraft as an entry step or refueling step. Heavy tube with 3 sizes of clamps.

- A must for bush gear and tires
- Alaska tested
- Durable non-skid surface stays on
- Powder coated white for durable corrosion resistance
- Available in "Wolf Hunter" Black at no additional charge
- FAA-PMA/STC approved



Silver Aircraft Ski Spring

Consistent tension regardless of temperature

P/N 2097

J3, PA-11, PA-12, PA-14, PA-18, PA-19, PA-20, PA-22 Series

- Replaces ski bungee
- FAA-PMA/STC approved



Spar Reinforcing Strut Bracket

Spreads out lift strut spar loading

P/Ns 3192-12 and 3192-18

PA-12, PA-14 series use **P/N 3192-12**
PA-18, PA-19 series use **P/N 3192-18**

Protrudes out of the wing and attaches to the lift strut, preventing spar flex by reinforcing the front.

- Install during wing maintenance
- Powder coated white - stainless steel construction
- FAA-PMA/STC approved

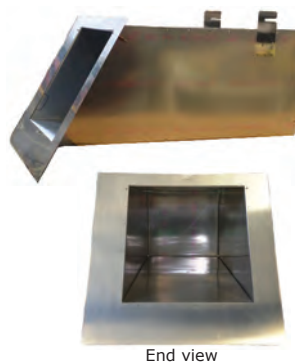
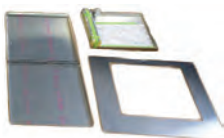
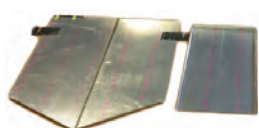




Extended Baggage Kit for PA-18 "150" Series

No welding required - Extends baggage area by almost 3 feet!
P/N 2103

- FAA-PMA/STC approved for most PA-18 aircraft
- Requires PA-18 "150" fuselage or equivalent previously approved 1750 lb gross weight modification at longitudinal station 99.0
- No welding required, may be assembled with blind or solid rivets
- Approximate compartment dimensions: 14" high X 15" wide X 35" deep
- Rated for 20 lbs of baggage



End view

Safari Seat for PA-18, PA-19 Series

P/N 6151

Easily installed and removed
Clamps in and designed for easy removal with quick release pins.

Weight saver

Lightweight folding rear seat saves 10 pounds over existing seat.

FAA-PMA/STC

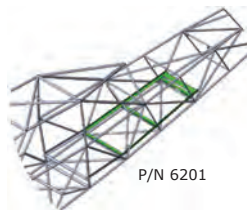


Saves 10 Pounds!

'Weld-In' Extended Baggage Kit for PA-18 and PA-19 Series

Large volume for bulky, light-weight cargo!
P/N 6201

- FAA-STC approved for PA-18 and PA-19 aircraft
- Weld-In modification consisting of steel support frame and support tabs
- Great for storing wing covers, engine blankets, sleeping bags, paragliding sails and more
- Approximate dimensions: 22-1/2" wide at the front X 17-1/2" wide at the back X 43-1/2" deep
- 10 lb maximum load



P/N 6201



Inverted Dogleg Remove

Inverted Dogleg STC for PA-11, PA-12, PA-18 and PA-19 Series

Makes loading baggage easier! STC SA02436AK

- Relocates the diagonal tube to the upper right corner
- FAA/STC approved for PA-11, PA-12, PA-18 and PA-19 aircraft
- Allows easy access to the aft baggage area from the baggage door
- No more catching your gear when removing it from the extended baggage area
- Longer cargo can be placed at an angle for easier insert/removal through the baggage door

Under Seat Battery Rack for PA-18, PA-19 Series

Easy battery removal
P/N 3304

Mounts under front seat for easy removal and warm-up of battery.

- Uses FAA-PMA Battery P/N 0769-4005
- FAA-PMA/STC approved



Saves 15 Pounds!

Lightweight Dry Battery - 680 Amps

Superior vibration resistance
P/N 0769-4005

- Big power in a little box
- Leak proof, high G rated
- 12 year design life and 6 to 10 year service life
- Required with under seat battery rack P/N 3304
- FAA-PMA



Saves 15 Pounds!

Rear Seat Heater for PA18 Series

A must for winter flying
Alaska proven!
P/N 3175

- Heater modification using warm exhaust heat to heat back seat
- Requires some modification to the firewall
- Log book entry only - no FAA 337 form required
- Complete with firewall valve and control
- FAA-PMA/STC approved



Folding Front Seat and Seat Kit for PA-18, PA-19 Series

Makes entry and loading much easier!
P/N 3186-1A STC direct replacement and bolt in replacement seat

P/N 3186-KIT FAA-PMA/STC Kit to modify your seat



P/N 3186-KIT FAA-PMA/STC Kit to modify your seat

Aircraft Tie-Down Brackets for PA-12, PA-18 Series

Prevents failure at the lift strut attach point
P/N 3197

Designed to take the load off the attach point.

- Sold individually
- Uses 2 per aircraft
- FAA-PMA/STC approved



Removable Rear Seat Crossbar

Makes loading easy
P/N 3146-1

PA-18-105, 125, 135, 150, PA-18S-105, 125, 135, 150, PA-19S, PA-19

- FAA-PMA/STC approved
- Installation instructions, pins, and blocks included



Cargo Tie Down

Secure your cargo
FAA-PMA
P/N TDP-31

Piper PA-31, PA-31-300, PA-31-325, PA-31-350, PA-31P, PA-31P-350, PA-31-T, PA-31-T1, PA-31-T2 and PA-31-T3 series

Clamps to seat rails to provide tie down points to secure cargo.

- 4 req. for every 100 lbs of cargo
- Anodized aluminum for durability
- FAA-PMA/STC approved

Note: This product is not to be used as a seat stop.

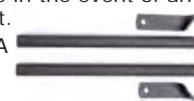


Pilot Seat Belt Attachment Kit

Weld on front seat belt attach kit!
P/N 3246

PA11, PA11S and PA18 series aircraft

- Relocates seat belts to floorboard
- Secures pilot seat to fuselage in the event of an accident.
- FAA-PMA






Parts manufactured by F. Altee Dodge

Husky Main Landing Gear
Heavy Duty!
P/Ns AD45017-501HD and AD45017-502HD
A-1, A1A and A1B series Aviat Husky aircraft


- 1.3 lbs. heavier per side
- Used primarily on aircraft equipped with skis
- Replaces P/Ns 45017-501 and 45017-502

Firewall, Stainless Steel and Titanium
P/N 8007-01 for Stainless Steel
P/N 8007-02 for Titanium
PA-18, PA19, and PA19S Series

- Replaces P/Ns 12365-003, 12365-005, 12365-007 and 12365-009
- Titanium is 2.8 lbs lighter than stainless steel



Strobe Light Mounting Bracket for PA-18, PA-19 Series
P/N 2087
For use with small Whelan strobe lights
FAA-PMA/STC




Header Tank
Direct replacement for original sheet metal tank
Front P/N 3169-1A
Rear P/N 3169-2
PA-18, 18-105, 125, 135, 150, A-150, PA-19

- Heavy-duty welded aluminum
- Light weight
- Eliminates cracking
- FAA-PMA/STC approved




Vented Fuel Cap
Easy removal — No more corrosion P/N 3267
PA-11, PA-11S, PA-12, PA-12S, PA-14, PA-18 and PA-19 Series

- Vertical fin on top for easy removal.
- Gasket is included for Avgas
- Eliminates A.D.
- FAA-PMA/STC approved
- Replacement gaskets available:
P/N 4050 for Avgas
P/N 4969 for Autogas



Aluminum Oil Cooler for PA18, PA22 Series
Save weight and money!
P/N 8000328


- The only aluminum Super Cub oil cooler
- FAA-PMA



Save 3.7 lbs!

Brake Reinforcing Channel for PA-18 Series
No more cracking!
P/N 4231

- Made with 4130 steel for durability
- Located underneath the brake system and the front seat. The brake pedal is attached to the brake channel.
- FAA-PMA approved



Upper and Lower Cowl Channel for PA-18 Series
No More Rust or Vibration
Upper P/N 3276
Lower P/N 3277

- Stainless steel - Eliminates rust and vibration failure
- No pre-drilled holes, allowing for a precise fit.
- Sold individually - 2 upper and 2 lower required per aircraft
- FAA-PMA



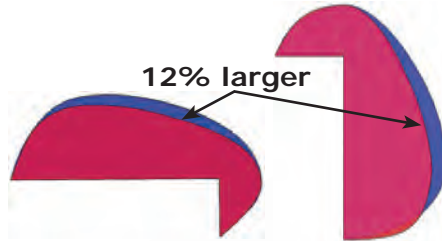
Front and Rear Shoulder Harness Attach Bracket
Make your Cub safer!
Front Bracket P/N 3232-1
Rear Bracket P/N 3232-2
FAA-PMA

J-3C, 3F, 3L, J-5A,5B, 5C, PA-11, PA-11S, PA-12, PA-12S, PA-18 Series



Overdose Rudders and Elevators
Increased control authority!
P/N AD15726OS (rudder)
P/N AD12770OS (elevator)
PA-12, PA-12S, PA-14, PA-18 Series, PA-19S

- Approximately 12% larger
- Powder coated grey with bushings installed
- FAA-PMA/STC approved

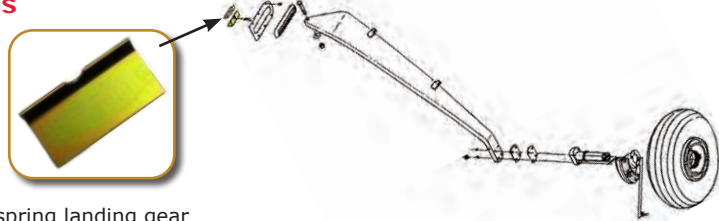
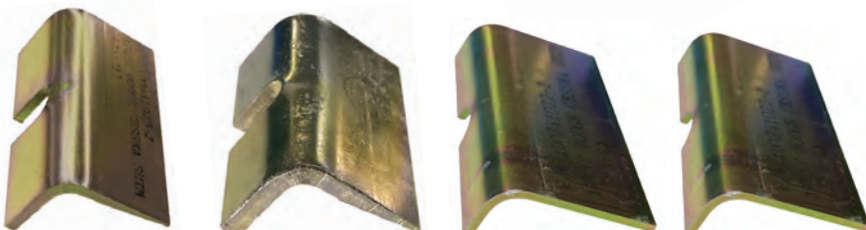


Bush Parts for Cessna Aircraft

Landing Gear Box Shims
P/N ADO441023-2
.100" tapered shim
P/N ADO441023-160
.160" tapered shim
P/N ADO741022-1
.040" shim
P/N ADO741022-2
.050" shim

- For Cessna aircraft using leaf spring landing gear
- 4130N steel, plated
- FAA-PMA

Save \$\$\$

Model	Qty per Aircraft			
	ADO441023-2	ADO741022-1	ADO741022-2	ADO441023-160
120, 140, 140A		A/R		
150A	2-4	A/R		
150B,C,D,E,F,G,H,I,K	2-4	A/R		2
A150K				2
A150L, F150F,G,H,J	2-4	A/R		
F150K, FA150K	2-4	A/R		2
170, 170A,B		A/R		
180, 180A,B,C,D,E		A/R		
180F	2-4	A/R		
180G,H,I,K	2-4	A/R		A/R
180J,K	2-4	A/R		A/R
185, 185A,B,C,D,E, A185E	2-4	A/R		A/R
A185F	2-4	A/R	A/R	A/R
190, 195A,B		A/R		

A/R = use as required



Photos courtesy of Henry Brown, Bob & Ruthie Warner and Dave Hayden, members of the International 180-185 Club

Cargo Tie Down

Secure your cargo
TDC-208
FAA-PMA/STC approved



Caravan 208, 208A, 208B

Clamps to Cessna seat rails to provide tie down points to secure cargo.

- 4 required for every 100 lbs of cargo
- Anodized aluminum for durability

Note: This product is not to be used as a seat stop.

V-Brace

Stainless Steel
P/Ns 180VBE and
AD1242001-18
FAA-PMA



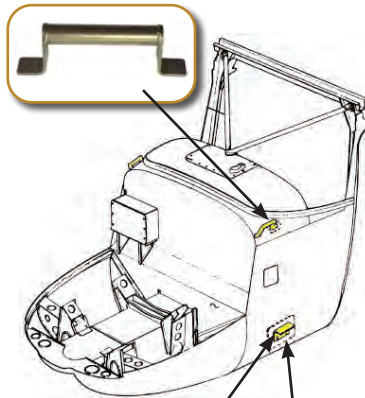
180, 180A, 180B use P/N 180VBE
206, U206, T206A-G, U206A-G and
207, T207 use P/N AD1242001-18

Boot Cowl Handle

Slightly larger to accommodate gloves!
P/N 3354H

180H,J, A185E,F, U206/TU206A,B,C,D,E,F,G, P206/TP206A

- May not match up with existing bolt pattern due to alternate styles used by OEM.
- Undrilled
- Replacement for P/N 0713191-1
- FAA-PMA



Boot Cowl Step

Slightly larger to accommodate hunting and fishing footwear!
P/N 3354S

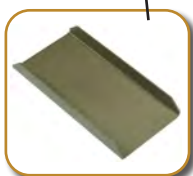
U206/TU206A,B,C,D,E,F,G, P206/TP206A

- Undrilled
- White powder coating
- 2 per aircraft
- Direct replacement for P/N 124022-5
- FAA-PMA

Boot Cowl Doubler

P/N 3354D

Doubler P/N 3354D is a convenience item useful for reinforcing the mounting locations for P/N 3354H and 3354S Boot Cowl Handles and Steps. For mounting locations that do not have enough clearance for the doubler the installer must rely on existing stringers, other existing structure, and/or a custom fabricated doubler. It is up to the installer to verify the structural integrity of the attachment.



Tailpipes

Heavier duty and longer to keep exhaust away from airplane!
FAA-PMA



Part Number	AD1242013-1 LH Seaplane	AD1242013-2 RH Seaplane	AD1250256-7 LH Landplane	AD1250264-6 RH Landplane	AD1254004-3 LH Assembly	AD1254004-4 RH Assembly
AD1250256-7						
AD1250264-6						
AD1242013-1						
AD1242013-2						
AD1254004-3						
AD1254004-4						

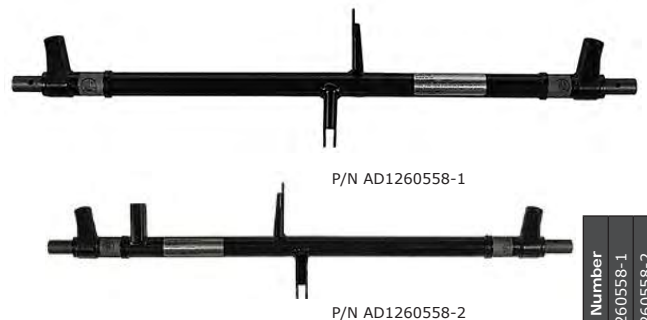
Aircraft Model	AD1242013-1 LH Seaplane	AD1242013-2 RH Seaplane	AD1250256-7 LH Landplane	AD1250264-6 RH Landplane	AD1254004-3 LH Assembly	AD1254004-4 RH Assembly
210-5 (205), 210-5A (205A)						
206, U206, U206A,B,C,D,E,F,G						
P206, P206A						
P206B,C,D,E						
207, 207A, T207, T207A						
210C,D,E,F,G,H,J,K,L,M,N,R						

Rudder Pedal Bar

FAA-PMA

Avoid risk of costly damage during assembly
P/Ns AD1260558-1 (LH) and AD1260558-2 (RH)

Each bar includes 2 ea. P/N S1003-43A bearings and 1 ea. P/N 1260419-1 tube pre-assembled. This avoids damage commonly caused while pressing the bearings during installation.



P/N AD1260558-1

P/N AD1260558-2

Aircraft Model	AD1260558-1	AD1260558-2
210-5 (205), 210-5A (205A)		
206, U206G, TU206G		
206H, T206H		
207A, T207A		
210M,N,R, T210M,N,R, P210		

Manufactured by F Atlee Dodge



Parts manufactured by F. Aitee Dodge

Folding Rear Seats

Convert from people to cargo in just a few minutes!

P/N 3187 (includes the left and right seats)

170 thru 170B, 172 thru 172S, 175 thru 175C,
180 thru 180K, 182 thru 182D

P/N 3187-182E (includes the left and right seats)

FAA Approval Pending
182E thru 182T, 185 thru A185F

20 Pounds Lighter!

The FAA-PMA/STC approved folding rear seats replace the existing bench seat and increase the flexibility and utility of your airplane. The seats can be independently folded forward, stowed to the side, or totally removed in minutes to allow cargo and passenger configurations.

- Easy access to baggage
- Easier access to the tail cone for maintenance
- Increased payload! About 20 pounds lighter than the original bench seat



Frees wasted space

The original bulky bench seats take nearly twice as much floor space as the compact, yet comfortable folding seats.

- 50% more baggage space
- More leg room

Convenient installation kit

Seats are sold in pairs (left and right) as a kit with all required installation hardware, including mounting tracks that attach to the floor and side door frame. (Seat belts, upholstery, cushioning, and stowage straps/bungees not included).

Upholster to match your interior

This is not a "jump seat" or "utility seat". You don't have to sacrifice comfort and style. Seats provide room for a cushion and upholstery up to 2 inches thick. Match your interior for an attractive and comfortable finish.



Heavy Duty Seat Back Frame

Heavy Duty - 10 oz. heavier with less tendency to wear out!

P/N 3226

206 Series aircraft
Replaces P/N 1214012-1 and 1214012-4



Tailpipe Hanger Assembly

Longer service life for less \$\$\$

P/N AD1250255-7

U206E,F,G, 210K,L,M,N,R

Mounting bracket and hanger tab are fabricated from thicker material to ensure longer service life.

- Manufactured with 304 Stainless Steel (except for strap)
- 2 per aircraft
- FAA-PMA



Landing Gear Axle Shim

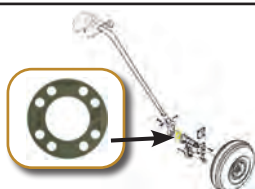
Tapered shim to adjust axle alignment

P/N AD1941007-1

207, 207A, T207, T207A

- 2 per aircraft
- FAA-PMA

Save \$\$\$



Firewall Mounted Battery Rack

Easier access and less weight!

P/N 8008

Quick and easy mounting

The Firewall Mounted Battery Rack mounts on the firewall on existing stringers or channels, allowing for quick and easy mounting and easier servicing with no extra support required.

Shorter wiring

With shorter wiring, power loss from long wires is eliminated and starting is improved.

- Designed for Lightweight Dry Cell Battery, P/N 0769-4005
- FAA-PMA/STC approved

Model
150K, A150L, F150K, FA150K
170, 170A,B
172B,C,D,E,F,G,H,I,K,L,M,N,P
F172D,E,F,G,H,K,L,M,N,P
R172E,F,G,H,J,K
175, 175A,B,C
180, 180A,B,C,D,E,F,G,H,J,K
182, 182A,B,C,D,E,F,G,H
185, 185A,B,C,D,E, A185E,F

Saves 19 Pounds!



Lightweight Dry Battery - 680 Amps

Superior vibration resistance P/N 0769-4005

- Big power in a little box. leak proof, high G rated
- FAA-PMA approved for PA18 and PA19 series when STC SA02138AK is installed
- 12 year design life and 6 to 10 year service life
- Fits battery rack P/N 8008
- FAA-PMA

Saves 15 Pounds!



Heavy Duty Muffler Shroud, LH

Stainless steel shroud for longer life

P/N AD1250250-6

- 206 and 207 Series aircraft
- Direct replacement for OEM shroud
- FAA-PMA



Heavy Duty Muffler Shroud

No more cracking or vibration damage!

P/N 4236

- Only one pound heavier
- 180 and 185 Series Aircraft
- Tailpipe outlet doubler spot welded on
- FAA-PMA



Heavy Duty Tailpipe Clamp

Heavier material and cheaper!

P/N AD1250259-1

- 206 and 207 Series
- Extra doublers to prevent cracking of the attach mounts
- FAA-PMA



Exhaust Deflector Assembly

Deflects noise and exhaust gasses away from the aircraft!

P/N 3238

206, U206, P206, P206B-E, U206A-G

- FAA-PMA/STC approved



Tailpipe Support Assembly

Heavy Duty!

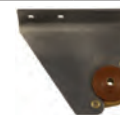
Mounting bracket and hanger tab are fabricated from thicker material to ensure longer service life.

- Manufactured with 304 Stainless Steel
- FAA-PMA

Model	P/N	Qty per Aircraft
210-5, 210-5A (205, 205A)	AD1250258-1	4
206, U206A,B,C,D,E, P206A,B,C,D,E	AD1250258-1	4
207, 207A, T207, T207A	AD1254003-1 (LH)	2
	AD1254003-2 (RH)	2
210B,C,D,E,F,G,H,J,K, T210F	AD1250258-1	4



P/N AD1250258-1



P/N AD1254003-1



P/N AD1254003-2

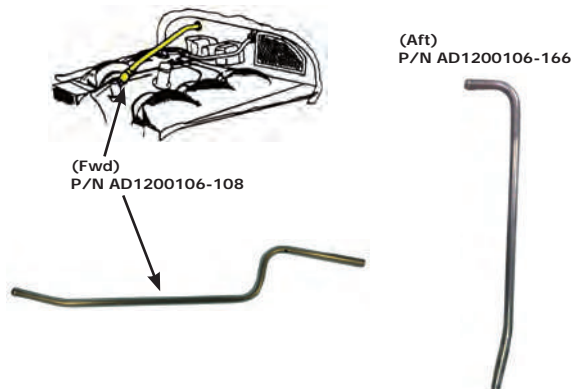


Breather Tube

Replace worn breather tubes with cost effective replacements!

P/Ns AD1200106-108 (Fwd)
AD1200106-166 (Aft), AD0700147-9 (Aft)

- Direct replacement at less than half the cost
- FAA-PMA



Maintenance Tip:

Support breather tubes directly to the engine, not the cowl or airframe, to prolong breather tube life.

Model	P/N
180F,G,H,J,K	AD1200106-108 (Fwd)
182D,E	AD1200106-108 (Fwd) AD0700147-9 (Aft)
182H,J,K,L,M,N,P,Q,R	AD1200106-108 (Fwd)
185, 185A,B,C	AD1200106-108 (Fwd)
A185E,F	AD1200106-108 (Fwd) AD0700147-9 (Aft)
188, 188A,B, A188, A188A,B	AD1200106-108 (Fwd)
U206, U206A,B,C,D,E,F,G	AD1200106-108 (Fwd)
TU206A,B,C,D,E,F,G	AD1200106-108 (Fwd)
P206, P206A,B,C,D,E	AD1200106-108 (Fwd)
TP206A,B,C,D,E	AD1200106-108 (Fwd)
207, 207A, T207, T207A	AD1200106-108 (Fwd) AD1200106-166 (Aft)
210D,E,F,G,H,J,K,L,M,N,R	AD1200106-108 (Fwd)
T210F,G,H,J,N	AD1200106-108 (Fwd)

Shaft, Trim Wheel

Huge Savings!

P/N AD0761205-9

180H,J,K, 185D,E, A185E,F

- Save \$\$\$
- Better roll pin engagement - Enlarged or mangled roll pin holes create a safety issue
- FAA-PMA

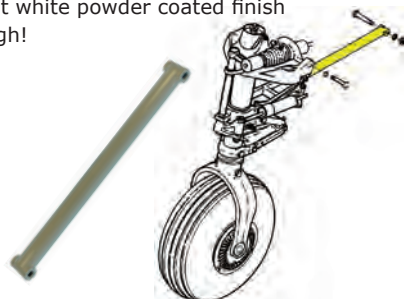


Nosegear Drag Link

Durable, High Quality Construction!

P/N AD1243600-1

- Corrosion resistant white powder coated finish
- Alaskan Bush Tough!
- 50% off Cessna
- FAA-PMA



Model
U206B,C,D,E,F,G
TU206B,C,D,E,F,G
P206B,C,D,E
TP206B,C,D,E
207, 207A, T207, T207A

Engine Mount Heat Shield

Stainless steel for longer service life

P/N AD1250918-2

- 4 per aircraft
- FAA-PMA

Aircraft Model
U206A,B,C,E,D,E,F,G, P206A,B,C,D,E
TU206A,B,C,D,E,F, TP206A,B,C,D,E
207,207A, T207, T207A
210K,L,M,N,R, P210N, T210G,H,J,K,L,M,N,R

Save \$\$\$

Exhaust Shroud

P/N AD1250251-17

- Durable, high quality construction!
- Made from thicker steel to remedy cracking around attach holes.



Model
210-5 (205), 210-5A (205A)
206, U206, U206A,B,C,D,E,F
P206, P206A,B,C,D,E

Engine Mount Bonding Strap

P/N AD0750137

- 4 per aircraft
- FAA-PMA



25% off Cessna

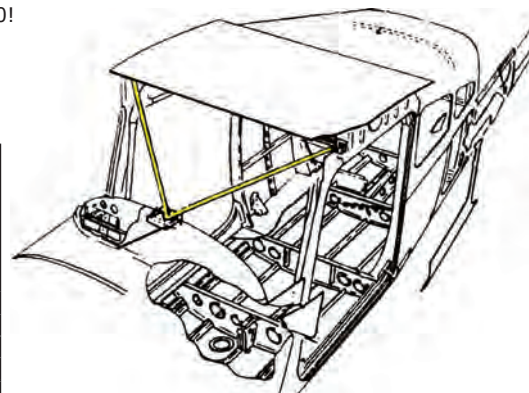
Aircraft Model
180, 180A,B,C,D,E,F,G,H,J,K
182, 182A,B,C,D,E,F,G,H,J,K,L,M,N,P, 182Q,R, T182
185, 185A,B,C,D,E, A185E,F
188, 188A,B, A188, A188A
210-5 (205), 210-5A (205A)
210, 210A,B,C,D,E,F,G,H,J,K,L,M,N,R
P210N,R, T210F,G,H,J,K,L,M,N,R

V Brace Assembly

Durable, High Quality Construction!

P/Ns AD0513003-19, AD0713103-2

- Thicker baseplate and feet to prevent cracking
- Annealed stainless steel legs
- Save almost \$3,000!
- Longer service life
- FAA-PMA

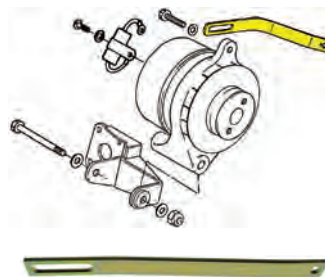


Model	AD0513003-19	AD0713103-2
180, 180A,B,C,D,E,F,G	•	•
180H,J,K	•	•
185, 185A,B,C	•	•
A185E,F	•	•

Alternator Adjust Arm

P/N AD0750221-1

- Direct replacement
- 1/4 of the cost of OEM
- FAA-PMA



Model
180F,G,H,J,K
182Q,R, F182Q
185, 185A,B,C,D,E, A185E,F
206, U206, P206

Entry Step

Stronger & corrosion resistant
P/N 8013-01

- 170 thru 170B
- 180 thru 180F
- 185 thru 185E

The FAA-PMA approved cabin entry seats are made with a reinforced corner, making them stronger than the original. Powder coated white for corrosion resistance.

- Left and right step are universal
- FAA-PMA





Parts manufactured by F. Altee Dodge

Rudder Pedal Bar

Avoid risk of costly damage during assembly
P/Ns AD1260558-1 (LH) and AD1260558-2 (RH)
Each bar includes 2 ea. P/N S1003-43A bearings and 1 ea. P/N 1260419-1 tube pre-assembled. This avoids damage commonly caused while pressing the bearings during installation.

FAA-PMA



P/N AD1260558-1



P/N AD1260558-2

Aircraft Model	Part Number
210-5 (205), 210-5A (205A)	• AD1260558-1
206, U206G, TU206G	• AD1260558-2
206H, T206H	•
207A, T207A	•
210M,N,R, T210M,N,R, P210	•

Bellcrank Assembly - Seat Back Adjust

Heavy duty thicker wall to prevent roll pin tear out!
P/N AD0514030-4HD

- Robust, improved design
- Two required per seat
- For fully articulating seat
- FAA-PMA



P/N AD0514030-4HD

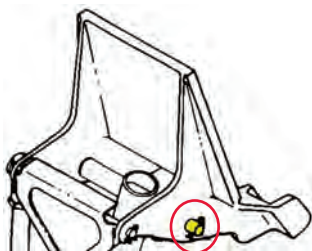
Model
172K,L,M,N,P,Q, R172K, 172RG
F172H,K,L,M,N, FR172G,H,J,K
177RG, 177B, F177RG
180H,J,K
182N,P,Q,R, R182, T182, TR182
F182P,Q, FR182
A185E,F
188B, A188B, T188C
U206E,F,G, TU206E,F,G, P206E, TP206E
207, 207A, T207, T207A
210K,L,M,N,R, T210K,L,M,N,R, P210N,R
337E,F, F337E,F,G,H, FT337E, FT337GP, FT337HP
T337F,G, P337H

Rudder Pedal Shaft

P/N AD1460501-21 Aft



Model
150A,B,C,D,E,F,G,H,J,K,L,M
A150K,L,M, F150K,L,M, FA150L,M
172D,E,F,G,H,K,L,M,N,P, 172RG
F172D,E,F,G,H,K,L,M,N,P
FP172, FR172E,F,G,H,J,K, P172D,R172K
177, 177A,B
180F,G,H,J,K
182E,F,G,H,J,K,L,M,N,P,Q,R
F182P,Q, FR182, R182, T182, TR182
185B,C,D,E, A185E,F
188, 188A,B A188, A188A,B, T188C
210-5 (205), 210-5A (205A)
U206F,G
207, 207A, T207, T207A
210C,D,E,G,H,J,K,L,M,N, T210K,L,M,N
336
337, 337A,B,C,D,E,F,G,H, F337E,F,G,H, FT337E, F337GP, T337B,C,D,E,F,G,H



Horizontal Stabilizer Spacer and Bushing

Spacer P/N AD0732101-7
Bushing P/N AD0760679-2



- FAA-PMA Direct Replacement
- Used at the horizontal stabilizer aft attach bracket/hinge

Model	Spacer	Bushing
180		•
180A,B,C,D,E,F,G,H,J	•	•
180K		•
182, 182A,B,C,D	•	•
185, 185A,B,C,D,E, A185E,F	•	•
A188B, T188C	•	•
210-5 (205), 210-5A (205A)	•	•
210, 210A,B,C	•	•



P/N AD0732101-7



P/N AD0760679-2

Maintenance Tip:
Check horizontal stabilizer spacer and bushing when servicing stabilizer jack screws.

Rudder Pedal Shaft

P/N AD0411778-2 Fwd
FAA-PMA

Save up to 45%



Aircraft Model
140A
150, 150A, F150, FA150
152, A152, F152, FA152
170, 170A,B
172, 172A,B,C,D,E,F,G,H,I,J,K,L,M,N,P
F172D,E,F,G,H,I,J,K,L,M,N,P
172RG, P172, R172E,F,G,H,K, FP172, FR172
175, 175A,B
180, 180A,B,C,D,E,F,G,H,J,K
182, 182A,B,C,D,E,F,G,H,J,K,L,M,N, 182P,Q,R
A182, F182, FR182, R182, TR182
185, 185A,B,C,D,E, A185E,F
190, 190A, 195, 195A,B
210-5 (205), 210-5A (205A)
206, U206, U206A,B,C,D,E, P206, P206A,B,C,D,E
207, T207
210, 210A,B,C,D,E,F,G,H,J,K, T210G,H,J

Lightweight Dry Battery — 680 Amps

Superior vibration resistance P/N 0769-4005

- Big power in a little box. leak proof, high G rated
- FAA-PMA approved for PA18 and PA19 series when STC SA02138AK is installed
- 12 year design life and 6-10 year service life
- Fits battery rack P/N 8008
- FAA-PMA



Saves 15 Pounds!

Flight Control Cables and Chains

McFarlane stocks complete kits containing all cables and chains for your aircraft, see pages 172-173.

- Improved terminal to increase strength
- Offset chain link eliminates binding
- Longer service life
- FAA-PMA approved

Save over \$5000 when purchasing a complete cable and chain kit!



Complete Aircraft Kits		
Serial Number	P/N with autopilot	P/N without autopilot
20800001 thru 20800081	CCKT208-03	CCKT208-01
20800082 thru 20800499	CCKT208-04	CCKT208-02
20800500 thru 20899999	CCKT208-05	CCKT208-02
208B0001 thru 208B1999	CCKT208B-02	CCKT208B-01
208B2000 thru 208B9999	CCKT208B-03	CCKT208B-01



McFarlane is the world's largest manufacturer of FAA-PMA replacement flight control cables!

208 S/N 20800001 thru 20899999		
Qty	P/N	Location
1	MC2660001-100	Elevator
1	MC2660001-101	Elevator
1	MC2660001-102	Elevator
1	MC2660001-103	Elevator
1	MC2660001-104	Rudder
1	MC2660001-106	Rudder
1	MC2660001-107	Rudder
1	MC2660001-108	Rudder
1	MC2660001-109	Elevator Trim
1	MC2660001-110	Elevator Trim
1	MC2660001-112	Elevator Trim
2	MC2660001-114	Aileron
1	MC2660001-118	Aileron LH
1	MC2660001-119	Aileron RH
4	MC2660001-122	Aileron
1	MC2660001-123	Control Column Interconnect
1	MC2660001-124	Control Column Interconnect
1	MC2660001-125	Control Column Interconnect
1	MC2660001-126	Control Column Interconnect
1	MC2660001-155	Elevator Trim
1	MC2660001-156	Elevator Trim
2	MC2660001-157	Aileron
1	MC2660029-13 Note 1	Aileron Trim
1	MC2660029-15 Note 1	Aileron Trim
2	MC2660029-4	Aileron Trim
1	MC9864054-9	Flap Indicator
1	MCS2295-25-101	Chain Elevator Trim Note 2
1	MCS2295-25-107 Note 3	Chain Pitch Trim Servo Note 4
1	MCS2295-25-247	Chain Elevator Trim
1	MCS2295-25-35	Chain Aileron Trim
1	MCS2295-25-43 Note 1	Chain Aileron Trim
2	MCS2295-25-87	Chain Elevator Trim
24	MCS2294-25	Chain Connecting Link

Note 1: S/N 20800082 thru 20899999
 Note 2: When equipped with electric trim
 Note 3: S/N 20800500 thru 20899999
 Note 4: When equipped with pitch trim servo

208B S/N 208B0001 thru 208B9999		
Qty	P/N	Location
1	MC2660001-100	Elevator
1	MC2660001-102	Elevator
1	MC2660001-104 Note 1	Rudder
2	MC2660001-105	Flaps
1	MC2660001-107	Rudder
1	MC2660001-109	Elevator Trim
1	MC2660001-110	Elevator Trim
1	MC2660001-112	Elevator Trim
2	MC2660001-114	Aileron
4	MC2660001-122	Aileron
1	MC2660001-123	Control Column Interconnect
1	MC2660001-124	Control Column Interconnect
1	MC2660001-125	Control Column Interconnect
1	MC2660001-126	Control Column Interconnect
1	MC2660001-147	Elevator
1	MC2660001-148	Rudder
1	MC2660001-149	Elevator Trim
1	MC2660001-150	Elevator Trim
1	MC2660001-151	Aileron
1	MC2660001-152	Aileron
1	MC2660001-153	Elevator
1	MC2660001-154	Rudder
2	MC2660001-157	Aileron
2	MC2660029-11	Aileron Trim
1	MC2660029-13	Aileron Trim
1	MC2660029-15	Aileron Trim
1	MC9864054-7	Flap Indicator
1	MCS2295-25-101	Chain Elevator Trim Note 2
1	MCS2295-25-107 Note 3	Chain Pitch Trim Servo Note 4
1	MCS2295-25-247	Chain Elevator Trim
1	MCS2295-25-35	Chain Aileron Trim
1	MCS2295-25-43	Chain Aileron Trim
2	MCS2295-25-87	Chain Elevator Trim
24	MCS2294-25	Chain Connecting Link

Note 1: S/N 208B0001 thru 208B2012, 208B2036 and 208B2048 thru 208B9999
 Note 2: When equipped with electric trim
 Note 3: S/N 208B2000 thru 208B9999
 Note 4: When equipped with pitch trim servo

Aileron Trim and Flap Indicator Cables for Cessna Caravan

Better than the original for less!

- 60% more adjustability for longer service life
- Save \$\$\$
- Metal fittings instead of cheap plastic

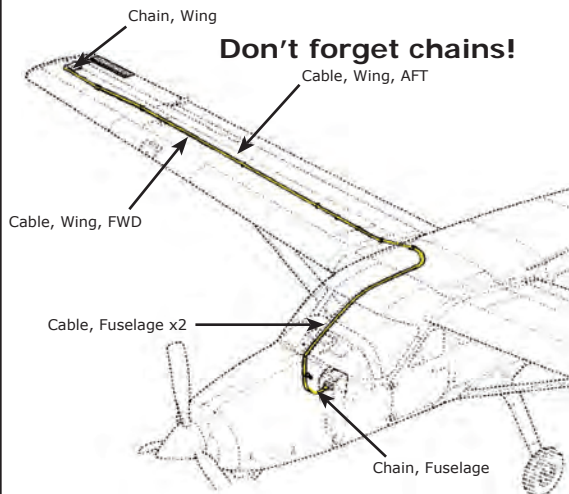
Aileron Trim Sprocket

P/N MC0761210-1

- Resists roll pin hole wear
- Stainless steel
- Roll pins in stock
- FAA-PMA Approved

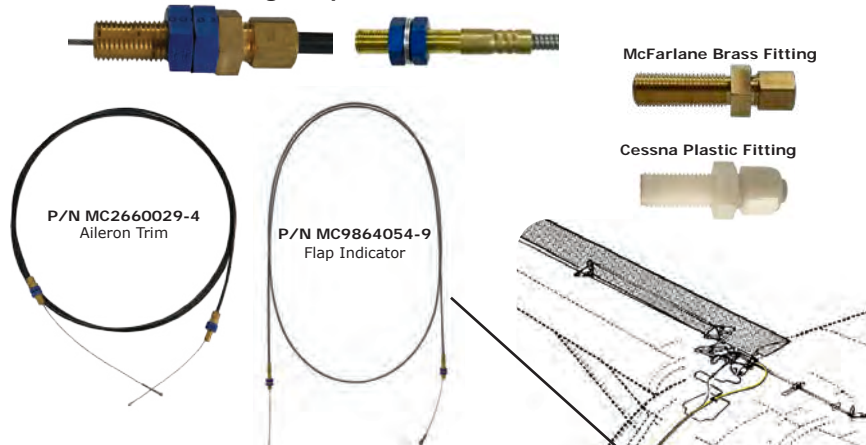


Save! \$\$\$



Don't forget chains!

Our brass terminals have a superior swage compared to the original plastic terminal



Model	Serial Number	Aileron Trim						Cable, Flap Indicator
		Cable, Wing, Fwd	Cable, Wing, Aft	Cable, Fuselage (2 per aircraft)	Chain, Wing	Chain, Fuselage	Cable, Flap Indicator	
208	20800001 thru 20800081	MC2660029-15	MC2660029-13	MC2660029-4	MCS2295-25-35	MCS2295-25-35	MC9864054-9	
208	20800082 thru 20800499	MC2660029-15	MC2660029-13	MC2660029-4	MCS2295-25-43	MCS2295-25-35	MC9864054-9	
208	20800500 thru 20899999	MC2660029-15	MC2660029-13	MC2660029-4	MCS2295-25-43	MCS2295-25-35	MC9864054-9	
208B	208B0001 thru 208B1999	MC2660029-15	MC2660029-13	MC2660029-11	MCS2295-25-43	MCS2295-25-35	MC9864054-7	
208B	208B2000 thru 208B2012	MC2660029-15	MC2660029-13	MC2660029-11	MCS2295-25-43	MCS2295-25-35	MC9864054-7	
208B	208B2036 Only	MC2660029-15	MC2660029-13	MC2660029-11	MCS2295-25-43	MCS2295-25-35	MC9864054-7	
208B	208B2048 thru 208B9999	MC2660029-15	MC2660029-13	MC2660029-11	MCS2295-25-43	MCS2295-25-35	MC9864054-7	

FAA-PMA Approved

Caravan Parts

Flap Indicator for Cessna Caravan

Reinforced wire hole with steel bushing!
P/N MC2662015-3

Fits all 208 and 208B aircraft.

- More resilient to vibrations
- Bushing is cadmium plated for corrosion protection
- Flap is alodined and primed for longevity of the product

Flap indicator cables MC9864054-7 and -9 along with wire clamp P/N MCS2323-3 are also available.



Flap Tracks

Replace worn-out tracks to prevent dangerous and expensive binding problems!
P/Ns MC2622075-4, MC2622075-5 and MC2622075-6

- NDI inspected throughout manufacturing
- Save thousands!
- FAA-PMA

Save \$\$\$



Flap Roller Kits

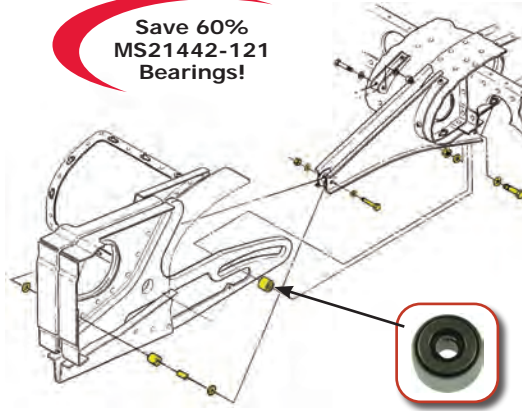
Save time! P/N FLP-KT-12

Contains rollers, bushings, wear washers and hardware for one aircraft.

Bushing P/N MS21442-121 is specially made by McFarlane to save Caravan operators money!



Save 60%
MS21442-121
Bearings!



Control Lock

P/N 2660055-1RA

- Direct replacement
- Significantly lower cost \$\$\$



Manufactured by AeroTwin

Rudder Lock Assembly Kit

Avoid wind damage to your rudder hinges while parked
P/N AT-RL-1001

- Holds the rudder securely centered without loading the cables or hinges
- Mounts neatly inside the tail stinger
- Fail safe attachment to the elevator ensures disengagement prior to take off



Manufactured by AeroTwin

Replacement Rudder Lock Mechanism

P/N AT-4111-1

- Save \$\$\$
- Improved design and materials
- More durable than the originals



Manufactured by AeroTwin

Bleed Air Tester Tool

Measure bleed air pressure during maintenance engine runs.
P/N ATI-BA1



Manufactured by AeroTwin

Cowl Plugs and Prop Restraint

Protect your engine!
Cowl Plugs P/N ATI-COWL
Prop Restraint P/N PROP RESTRAINT

- Cowl plugs prevent dirt and other FOD from entering the cowl
- Restrain propeller to prevent windmilling on the ground
- Durable materials for use in harsh environments



Manufactured by AeroTwin

Trim Tab Screw Assembly for Cessna Caravan

P/N MC2661215-8 Trim Tab Screw Assembly fits all 208 and 208B aircraft when equipped with 2661215-9, 2661615-10 or 2661615-13 Trim Tab Actuators.

P/N MCS3895-1 Needle roller bearing fits all 208 and 208B aircraft

Our PMA replacement Trim Tab Screw Assembly is manufactured using high-strength stainless steel alloy that has our **Black Max™** nitrocarburized heat treatment for increased wear resistance, service life, with less friction, smoother operation, and improved corrosion resistance.

P/N MCS3895-1



P/N MC2661215-8

Black Max™ Nitrocarburized

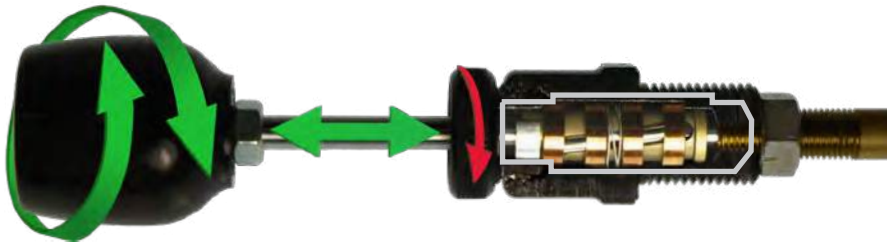
Vernier-Assist™

A New "Twist" in Aircraft Throttle Controls
 FAA-PMA Approved Revolutionary Design

Only by **McFarlane**

Vernier and Friction Lock - The Best of Both

You asked for it and now we have it. Not only do we offer Vernier-Assist for non-certified aircraft along with our extended line of FAA-PMA approved controls, this breakthrough design is now FAA-PMA approved on Throttle Controls for Cessna, Piper, Beechcraft, Grumman, Mooney, and Bellanca.



Scan the QR code



to watch the product video!

- Jam-proof safety
- Fine and coarse adjustments
- Smooth friction control
- Light and compact

No button. No threads. No jamming.



Because you deserve the best...

FUEL PUMPS



CJ Aviation has manufactured the best FAA-PMA Fuel Pumps in the industry for more than 20 years, offering direct replacement for Dukes Fuel Pumps for Beechcraft, Cessna, Diamond, Maule, Mooney, Lake and Navion aircraft.

Better

- Direct replacements
- Two year warranty

Faster

- In stock
- Most orders ship same day

Stronger

- Redesigned motor
- Tighter tolerances

Design Solutions

We have the experience, staff, and tools for your aerospace application.

- 30+ years of design experience
- Proven development processes ready to deliver for you
- Current supplier for leading aerospace manufacturers
- Decades of experience with FAA-PMA development
- Authority in reverse engineering as well as clean sheet designs
- AS9100 compliant quality system



McFarlane



McFarlane

Extensive Line of Cessna Fuel Valves
FAA-PMA for Cessna Aircraft
150, 152, 170, 172, 175, 177, 182, 185 Series

- Improved corrosion resistance
- Improved O-ring retention
- More balanced fuel flow
- Fully tested

Fuel valve repair and exchange also available.

See pages 142-146 for details.



Adjustable Elevator Neutral Rigging Tool

Save time, you'll always have the correct tool!

P/N TOOL126

Proper elevator rigging is necessary for full range of motion and maneuverability of the airplane. Many Cessna maintenance manuals require the fabrication of a tool to hold the yoke in the neutral position while the mechanic rigs the elevator control system. These tools utilize the holes for the control gust lock. At least 17 different sizes of rigging tools are required to cover the various Cessna aircraft. Now there is one tool to replace them all!

The McFarlane Elevator Neutral Rigging Tool is adjustable from 0.4" to 2.5" and universal in design, consisting of six different pin sizes to fit your application. This tool may also be used to properly rig other makes of aircraft with similar elevator neutral rigging requirements.

Replaces Cessna Elevator Rigging Tool P/N SE151

- Replaces 17 costly tools
- Quick setup and adjustment
- Stainless steel components
- Simple to use instructions
- Includes compact storage box
- Replacement parts available separately

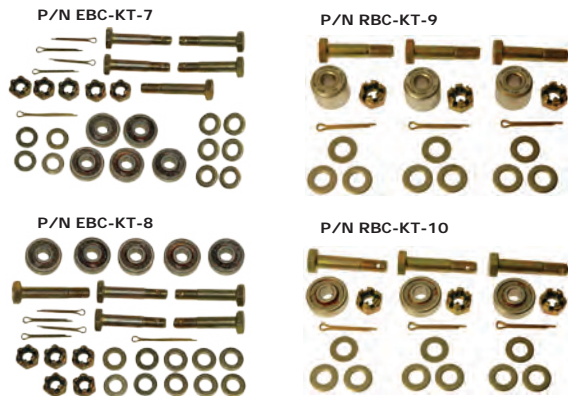


P/N	Description
6409	0.050"/1.3mm Hex Wrench
6870	Square Nut
6868-4	Pin, 0.188, Short
6868-3	Pin, 0.188, Long
6868-1	Pin, 0.209, Short
6868-2	Pin, 0.209, Long
6869-1	Pin, 0.250, Short
6869-2	Pin, 0.250, Long

Rudder and Elevator Hinge Bearing Kits

In stock for immediate shipment! Buy with confidence.

- Convenient kits include bearings and all attaching hardware
- Kits for aircraft equipped with/without hinge modification service kits
- One elevator kit and one rudder kit required per aircraft
- Industry standard hardware



Aircraft	Serial Number	Elevator Kit P/N	Rudder Kit P/N
208	20800001 thru 20800221	EBC-KT-7 1	RBC-KT-9 3
208	20800222 thru 20899999	EBC-KT-8 2	RBC-KT-10 4
208A	20800007 thru 20800102	EBC-KT-7 1	RBC-KT-9 3
208B	208B0001 thru 208B0318	EBC-KT-8 2	RBC-KT-10 4
208B	208B0319 thru 208B9999	EBC-KT-7	RBC-KT-9

1 With SK208-102, SK208-106, & SK208-107 installed.
2 Without SK208-102, SK208-106, & SK208-107 installed.
3 With SK208-99, SK208-104 and SK208-105 installed.
4 Without SK208-99, SK208-104 and SK208-105 installed.

Pulleys and Pulley Kits

We stock all pulleys required for your aircraft
 Pulley kits contain all of the pulleys and cotter pins required for one aircraft.



Save \$\$\$

Model	Serial Number	Kit P/N
208	20800001 thru 20800145	PULL-KT-87
	20800146 thru 20899999	PULL-KT-88
208B	All	PULL-KT-89

Fuel and Oil Drain Valves & Adapters

Large selection - Low price - Many new P/Ns!

- Fits many certified and experimental aircraft
- Simple operation — spring load close
- Manufactured by SAF-AIR and Curtis Superior Valves
- FAA-PMA or FAA-TSO-C76



Fuel Sampler

Easily check your Caravan fuel sump!

P/N SUMP



- Long-sized tube avoids the need for a ladder
- Clear PVC allows visibility on what is coming out of your fuel sump
- Enough volume to check all aircraft sumps before dumping



Manufactured by AeroTwin

Deice Boot Mister Tool

Service your pneumatic de-ice boots



P/N BOOT MISTER

- In accordance with Goodyear Service Letters 91-015 and 91-016
- Injects isopropyl alcohol and silicon fluid in the boots to prevent system freeze-up



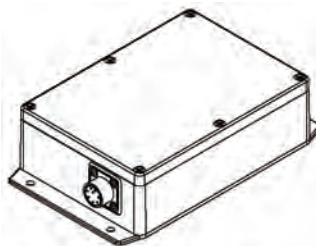
Manufactured by AeroTwin

De-ice Cyler

Automatically cycles pneumatic de-ice boots at 1- or 3-minute intervals



P/N DT8-100



Manufactured by AeroTwin

Ice Inspection Handle

P/N 208-ICE-HNDLE



- Save \$\$\$
- Complies with AD 2006-01-11

Manufactured by AeroTwin



FAA-PMA Approved

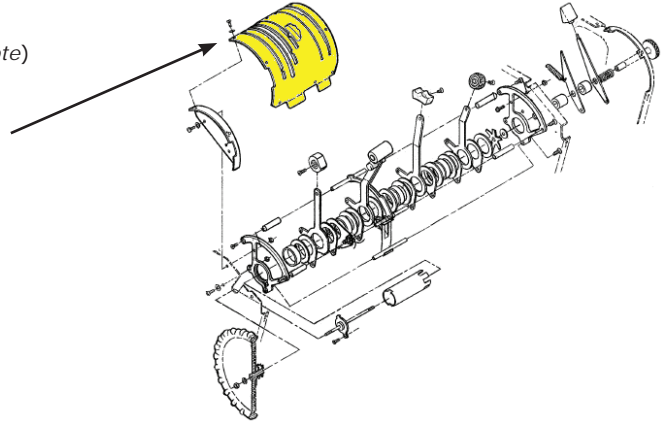
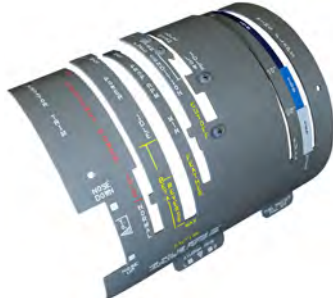
Caravan Parts

Quadrant Cover for Cessna Caravan

P/N MC2613048-22

Our new FAA-PMA approved quadrant cover is designed with reinforcement, specifically for increased durability and longer life.

- Steel doublers added to the flap notches to increase service life and performance
- Powder coated to provide long lasting protection
- Save thousands \$\$\$
- Fits all Cessna 208/208B Caravan from 208B001 to 208B4999 (see note)



NEW

NOTE: All British Certified Cessna Caravan 208/208B aircraft are non-compatible with this cover.

Nose Tire Scraper

Shield your propeller from gravel, sand, and water damage!

P/N ATI-208TS

- Easily installed in under 20 minutes
- Clamps on to the nose gear fork, above your tire
- Replacement rubber scrapers available



NEW

Manufactured by AeroTwin

Main Gear Fairing Ribs

Tired of cracked main gear fairing baffles?

P/N GF8-101 (Upper)

P/N GF8-102 (Lower)

- Save \$\$\$ by avoiding costly maintenance repairs
- Made with molded urethane rather than metal



NEW

Manufactured by AeroTwin

Main Gear Gravel Deflector

Protect the tail and the bottom of the wings from damage

P/N GD8-100

- Deflect gravel and rocks from the horizontal stabilizer and fuselage
- Keep mud, snow, and rocks off of your wings
- Installation requires no additional holes in the structure



NEW

Manufactured by AeroTwin

Nose Gear Gravel Deflector

Protect your cargo pod and prevent costly cargo pod de-ice boot damage

P/N NGD8-100

- Deflect gravel and rocks from the cargo pod, belly, propeller, and the pod de-ice boot
- For maximum equipment protection, install the Main Gear Gravel Deflector and the Nose Tire Scraper
- Also great for operating from paved surfaces!



NEW

Manufactured by AeroTwin

Brake Disk Spacer

For increased tire-to-brake caliper clearance

P/N BS8-100

- Allows the brake disk to be spaced away from the tire to provide positive clearance
- Only applicable to aircraft equipped with Cleveland 10 inch wheel and brake assemblies on the main gear



NEW

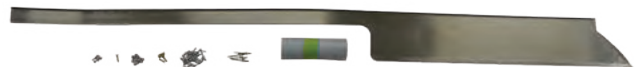
Manufactured by AeroTwin

Cargo Door Trim Kit

Avoid cargo door aft frame damage when loading and unloading through the cargo door

P/N DS8-100

- Made with stainless steel
- Avoid expensive repairs \$\$\$



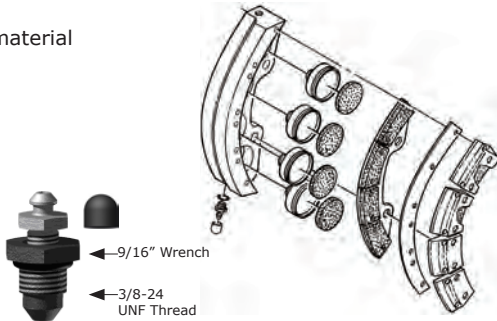
NEW

Manufactured by AeroTwin

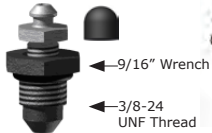
Brake Bleeder Valves for Cleveland and McCauley Wheels

Improved - No more rust, no more rounded wrench flats

- Made with stainless steel for durability and corrosion resistance
- Heat treated bleeder screw prevents rounded wrench flats
- Cad plated bleeder seat to prevent galvanic corrosion with the magnesium housing
- Rubber cap has improved material to prevent cracking
- FAA-PMA Approved



MCBB-KT-3		
Qty	Part Number	Description
1	MC081-00500	Bleeder Seat
1	MC079-00300	Bleeder Screw
1	MC183-00100	Needle Cap
1	MS28775-011	O-ring



←9/16" Wrench
←3/8-24 UNF Thread

APS Blacksteel Brakes

Improve braking performance!

- One piece forged disc eliminates weld failure
- Heat treated to reduce corrosion and rust
- FAA-PMA Approved

APS Extended Life Brake Lining

Reduce cost per landing

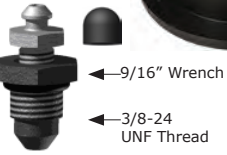
- Lining is .035" thicker
- 35% longer life!
- FAA-PMA Approved



Complete Brake Kit

Caravan Brake Kit Components

P/N 208-BRK-KT-1		
Qty	Part Number	Description
2	APS164-22201	Brake Disc
32	APS177-00300	Pin
20	APS66-15300	Brake Lining
2	MC081-00500	Bleeder Seat
2	MC079-00300	Bleeder Screw
2	MC183-00100	Needle Cap
2	MS28775-011	O-ring



←9/16" Wrench
←3/8-24 UNF Thread

Pitot Covers

Install without a ladder!
P/N PITOT

Protect the pitot tube from being contaminated by dirt, debris, and insects with a pitot tube cover.



Manufactured by AeroTwin



Improved Aircraft Tire Balancers

P/N TOOL129

Now fits more standard and taper axle sizes

- Multiple models and add-on bushing kits for 3/4", 1", 1 1/4", 1 1/8", 1 5/8" and 2" axles (see page 349)
- No removal of bearings or seals



Fast, accurate, and affordable!

Brake and Master Cylinder Seal Kits

Save time and \$\$\$, just the parts you need

P/N CBS-KT-3 Master Cylinder Seal Kit

P/N CBS-KT-5 Brake Assembly Seal Kit

- 1 kit per brake or master cylinder
- All parts contained in kit are approved



Primary Exhaust Flange

Improved design

P/N AF2654006-10

- Direct replacement
- Precision fit with improved clearance
- Approved for all Caravan aircraft with 114 or 114A engine
- Features a wide notch and eliminates a fastener — reduces stress concentration and helps prevent cracking



Manufactured by Airforms

Wide notch

Complete Wheel Seals

P/N WH-KT-42

- Molded Seals and Snap Rings
- Complete kit or individual components
- FAA-PMA Approved

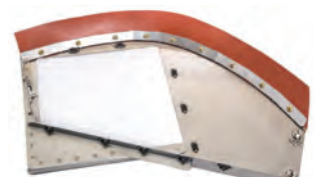


Airforms Oil Cooler Baffle

Reinforced design for longer life

P/N AF2650098-5

- Precision fit - drop in direct replacement for 2650098-4 and -5
- Fits Caravans with PT6A-114A engine and large oil cooler
- Increased thickness at critical locations to extend life
- Replaceable low cost seal
- FAA-PMA approved



Airforms Tie-Down Trim Plate

Aluminum instead of plastic for longer life

P/N AF2615118-1

- Approved for all Caravan passenger aircraft only
- Precision fit - drop in direct replacement
- Won't shatter when impacted at low temperatures
- Durable powder coating improves interior fit, finish, and longevity



FAA-PMA Approved

Caravan Parts

Airforms Crew Ladder Components

- FAA-PMA approved components for most 208/208B/EX models
- Direct OEM replacements
- Superior corrosion resistance
- Improved bushings for longer life

Fraction of the cost!



NEW

Crew Ladder Components	
P/N	Description
AF133-4P28	Bracket Spacers
AF133-4P32	Arm Spacers
AF2606033-10	Step Assy, Lower
AF2606033-12	Step Assy, Upper
AF2606033-14	Tread, Lower Step
AF2606033-15	Tread, Upper Step
AF2606033-2	Arm Assy, Lower LH
AF2606033-36	Bracket Assy, LH
AF2606033-37	Bracket Assy, RH
AF2606033-4	Arm Assy, Lower RH
AF2606033-43	Arm Assy, Upper LH
AF2606033-44	Arm Assy, Upper RH

Nose Gear Torque Link Assemblies

Improved to reduce wear and prevent cracks
Upper P/N AF2643084-1, Lower P/N AF2643084-2

- Approved for all 208 and 208B aircraft
- Precision fit - drop in direct replacement
- Designed to prevent cracking in threaded grease fitting holes
- Ready for installation
- Durable powder coating finish



P/N AF2643084-1 (Upper)

P/N AF2643084-2 (Lower)

Manufactured by Airforms

Crew Door Panels

Includes retaining straps, fire extinguisher recess, large storage pocket, weight placard and certificate pouch

P/N AF2615180-1 LH

P/N AF2615180-2 RH

- Color matched to original part
- Modern look and increased utility to your older Caravan
- Precision fit
- FAA-PMA approved for all 208 aircraft
- Direct replacements for P/N 2615180-1 and -2 and the early model P/N 2615054 series door panels



Manufactured by Airforms

Rod Ends

Save \$\$\$

P/N MCS1106-3 Flap Actuator Push Rod

P/N MCS1106-3 Inertial Separator Actuator

P/N MCS1106-4 Inertial Separator Control

P/N S1107-3 Nose Gear Steering Rod

P/N S2022-3 Aileron/Spoiler Control (Nut P/N NAS1423-6)

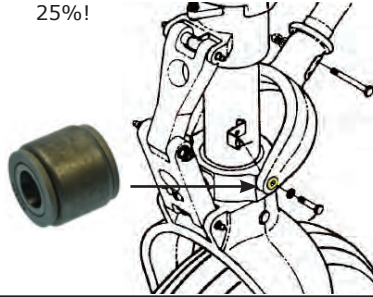
P/N S2022-3L Aileron/Spoiler Control (LH threads)
(Nut P/N NAS1423-6L)



Nose Gear Spring Fork Needle Bearing

P/N MS24462-5

- Fits all Cessna 208 models
- Save up to 25%!



Nose Gear Shock Strut Cups and Cones

In Stock!
Bearing Cup
P/N L217813
Bearing Cone
P/N L217849



Tail Tie Down Handle

Primed and ready to install

FAA-PMA P/N AF2612035-1

- Approved for all 208 and 208B
- Precision fit — direct replacement
- Tail stand interface unchanged, works with existing tail stand



Manufactured by Airforms

Caravan Tail Stand

Prevent your plane from falling on its tail while loading and unloading!
P/N ATI-STAND

- Adjustable height
- Powder coated finish
- Safe loading/unloading



NEW

Manufactured by AeroTwin

Ankra Interior Cargo Fittings

McFarlane is now a full distributor!

Great prices and quantity discounts available!



Cargo Tie Downs

Secure your cargo

P/N TDC-208

Clamps to seat rails to provide tie down points to secure cargo.

- 4 required for every 100 lbs of cargo
- Anodized aluminum for durability
- FAA-PMA/STC approved



Manufactured by F Atlee Dodge

DAM Aircraft Pulley Oil

P/N PULLEY OIL KIT

- Does not dry out and get sticky
- Loosens old stiff pulley grease
- Save the labor of re-oiling the control system every year!



Extended Baggage Kit

Increase your internal cargo volume!
P/N EB8-200

- Engineered for utility and durability
- More cargo space allows for increased cargo revenue! \$\$\$
- Adds 22 cubic feet and certified to carry 100 lbs
- Does not affect the maximum gross takeoff weight or allowable center of gravity range

Manufactured by AeroTwin

Cargo Door Escutcheon

Prevent unwanted cargo door latching failures!
P/N AT2617063-1

- Made of durable 4130 steel, rather than aluminum
- Avoids unwanted downtime caused by latch failures
- Save time and \$\$\$

Manufactured by AeroTwin

Cargo Pod Door Locks

Protect your valuable equipment and supplies!
P/N PL8-100-1 (1 lock)
P/N PL8-100-3 (3 locks)
P/N PL8-100-4 (4 locks)

Manufactured by AeroTwin

Cowling Locks

Prevent theft and unauthorized use of your aircraft!
P/N CL8-100

- Added security with High quality keyed-lock on each side of the cowling
- Prevent unauthorized starting by disconnecting the battery and locking your cowling

Manufactured by AeroTwin

Cabin Heat Vents

Reinforced design for longer life

- Replaceable end caps are metal not fragile plastic like the originals
- Precision fit - drop in direct replacement
- Powder coated corrosion resistant

208 Cabin Heat Vents		
P/N	Description	S/N
AF2615111-1	LH Fwd Center	0001 thru 0312
AF2615111-45	LH Fwd Center	0313 and On
AF2615111-2	RH Fwd Center	All
AF2615111-3	LH Aft	All
AF2615111-4	RH Aft	All
208B Cabin Heat Vents		
AF2615111-1	LH Fwd Center	0214 thru 0765
AF2615111-45	LH Fwd Center	0766 and On
AF2615111-2	RH Fwd Center	0214 and On
AF2615111-3	LH Aft	0214 and On
AF2615111-4	RH Aft	0214 and On
AF2615111-25	LH Fwd Aft	0214 and On
AF2615111-28	RH Fwd Aft	0214 and On
AF2615111-31	LH Fwd	0214 and On
AF2615111-36	RH Fwd	0214 and On

■ P/N AF2615111-2 replaces Cessna P/N 2615111-2 and -46.

Manufactured by Airforms Inc.

Door Cables

Save \$\$\$

- Sealed with soft silicon rubber that is easy to clean
- Will not crack due to wear or climate temperature changes
- Does not separate from the cable and remains pliable for easy opening and closing of aircraft doors.
- Unique pre-formed stainless steel aircraft cable
- Hand-crafted with the highest quality standards.
- FAA-PMA Approved

S2814-1EH Installation S2814-2EH Installation S2837-1EH or S2837-2EH Installation

Model	S/N	P/N	Location
208, 208B	All	S2837-1EH	Passenger Door Step, Lower
		S2837-2EH	Passenger Door Step, Lower, (Float Plane)
		S2814-1EH	Cargo Door Pull, Upper
		S2814-2EH	Passenger Door Pull, Upper

Different colors available! See page 261.

FAA-PMA Approved

AeroLEDs Lighting

Increase safety and reduce operating cost!

See the Difference...

Know the Difference...

- Increased safety
- Direct Replacement
- Up to 80% reduced power consumption
- Long life - over 50,000 hours!
- Lighter weight - no heavy power supply - save up to 3 lbs
- Reduced drag
- Zero maintenance



36HX Taxi with Pulse P/N 01-1030-H-B (PAR36)	36-4596 Landing P/N 01-1030-4596 (PAR36)
36 LX Taxi P/N 01-1030-L-B (PAR36)	46HX Landing with Pulse P/N 01-2130-HX (PAR46)
36-4587 Taxi P/N 01-1030-4587 (PAR36)	46HX Landing or Taxi P/N 01-2130-LX (PAR46)
46-4554 Taxi P/N 01-2230-4554 (PAR46)	46-4580 Landing P/N 01-2230-4580 (PAR46)

Complete Kit with Landing and Taxi Light	
KIT-0042	1 SunSpot 36-4587 taxi light (01-1030-4587) 1 SunSpot 46-4580 landing light (01-2230-4580)

See lighting section on pages 268-276 for more information.

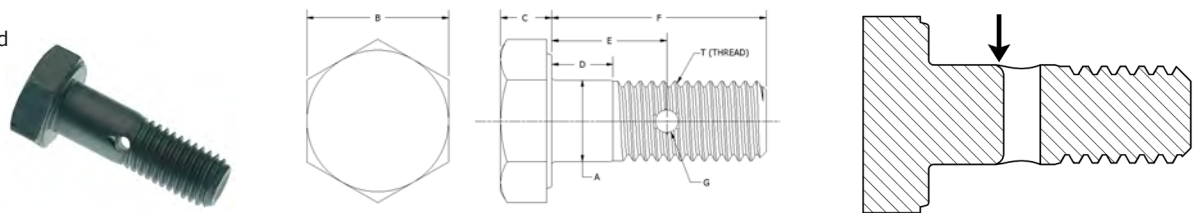
Parts for the Legendary Pratt & Whitney PT6 Engines

- In stock, no long lead times!
- Save \$\$\$ on commonly replaced parts

<p>P/N CA3011155 Fuel Transfer Tube</p>	<p>P/N CA3020030 Fuel Transfer Tube</p>	<p>Manufactured by PMA Products</p>			
<p>P/N CA3029566 Fuel Nozzle Gasket</p>	<p>P/N CA3029678 Fuel Nozzle Gasket</p>				
<p>P/N CA3101469-01 Fuel Manifold Gasket</p>	<p>P/N CA3103345-01 Retainer</p>			<p>P/N CA3103346-01 Diaphragm</p>	<p>P/N CA3103347-01 Diaphragm</p>
<p>P/N CA3110998-01 Shim</p>	<p>P/N CA3118962-01 Gasket</p>			<p>P/N CG3011587 Rod End Bearing</p>	<p>P/N MS9371-16 Fuel Nozzle Gasket</p>

Bolt Style Wire Clamps

- Unique design to reduce wire stress
- Heat treated stainless steel for wear and corrosion resistance
- The best for less!
- FAA-PMA approved

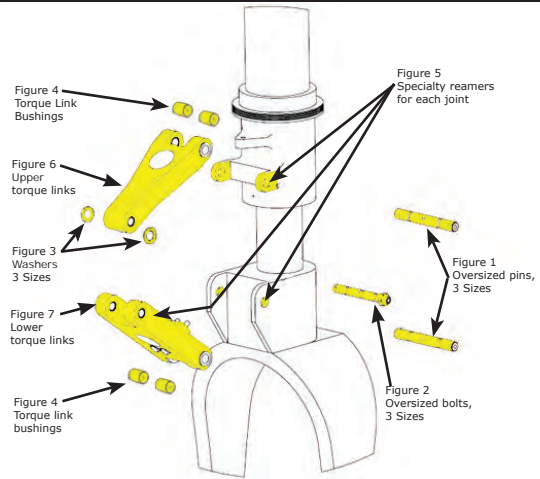


Part Number	A Bolt Dia. (in)	B Wrench Size (in)	C Thick (in)	D Grip Length (in)	E Hole Position (in)	F Shank Length (in)	G Hole Dia. (in)	T Thread (-)	Application
MCS2323-3	0.250	7/16	0.156	0.188	0.199	0.539	0.073	1/4 - 28	flap indicator
MCS2323-5	0.188	3/8	0.125	0.125	0.188	0.531	0.073	10-32	cabin air, cabin heat, defrost, fuel shutoff, overhead air, oxygen, parking brake
MCS2323-8	0.188	3/8	0.125	0.250	0.202	0.656	0.096	10-32	oxygen control
MCS2323-11	0.188	3/8	0.125	0.250	0.266	0.656	0.076	10-32	bleed air control
MCS2323-13	0.250	7/16	0.156	0.313	0.271	0.781	0.073	1/4 - 28	bleed air diverter
MCS2323-19	0.188	3/8	0.125	0.125	0.200	0.531	0.094	10-32	defroster valve

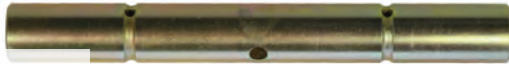
Cessna Caravan Torque Link Repair STC

Minimal downtime repair to keep 208/208B nose gears shimmy-free
This STC will dramatically reduce nose gear swaps

- Save over \$15k and be flying the same-day
- Reduce downtime by repairing in the field
- Convenient tool kit allows for on airplane repair
- Bolts and pins are cad plated for longer life
- EASA approved



P/N AF2643092-1010, BOLT

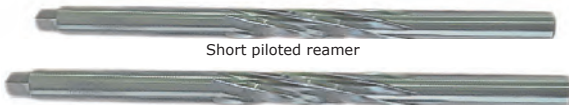


P/N AF2643091-1010, PIN



Tap handle

Maintenance Tip:
Always use cutting oil and only drill by hand. Tool kits contain both short and long piloted reamers.



Short piloted reamer

Long piloted reamer



See Dave's article on stopping nose gear shimmy on pages 210-211.

Eligible model series:
Fits all Cessna 208/208B with "double lug" torque links. Includes all S/N's after 2080133/208B0098 or earlier S/N's equipped with SK208-51.

Figure	Part Number	Description	Approval Type
5	TOOL KIT .010	REAMERS, Oversized .010 - short and long piloted reamers + tap handle	STC
5	TOOL KIT .020	REAMERS, Oversized .020 - short and long piloted reamers + tap handle	STC
5	TOOL KIT .030	REAMERS, Oversized .030 - short and long piloted reamers + tap handle	STC
5	TOOL KIT 32-604-56-01	REAMERS, all three sizes	STC
6	AF2643084-1	Upper Torque Link	PMA
7	AF2643084-2	Lower Torque Link	PMA
1	AF2643091-1	PIN, Nominal	PMA
1	AF2643091-1010	PIN, Oversize .010	PMA
1	AF2643091-1020	PIN, Oversize .020	PMA
1	AF2643091-1030	PIN, Oversize .030	PMA
2	AF2643092-1	BOLT, Nominal	PMA
2	AF2643092-1010	BOLT, Oversize .010	PMA
2	AF2643092-1020	BOLT, Oversize .020	PMA
2	AF2643092-1030	BOLT, Oversize .030	PMA
3	32-604-37-22005	WASHER, .005 thickness	STC
3	32-604-37-22010	WASHER, .010 thickness	STC
3	32-604-37-22015	WASHER, .016 thickness	STC
4	AF2643085-200	BUSHING, Torque Link	PMA
	STC-TORQUE LINK	Torque Link STC	STC

McFarlane also offers direct replacement center joint bushings!

NEW



NAS76A7-115 (Upper)



NAS76A7-022 (lower)

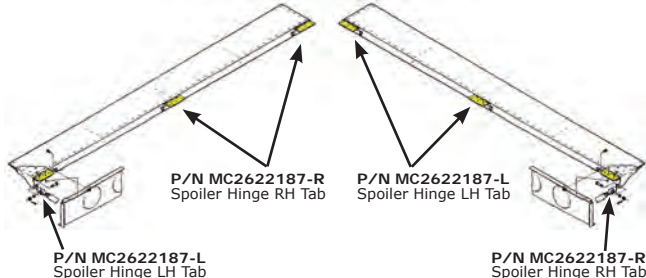
Manufactured by Airforms Inc.

Caravan Spoiler Hinges

Improved McFarlane hinges feature selective fit components for a longer service life

P/N MC2622187-L (Replaces 2 each 2622187-7, 1 each 2622226-1)
P/N MC2622187-R (Replaces 2 each 2622187-7, 1 each 2622226-2)

- Save \$\$\$
- FAA-PMA direct replacement
- Eligible for all Cessna Caravan 208, 208B
- Selective fit components
- Cadmium plated stainless pins and anodized aluminum hinges for better corrosion resistance
- No looseness in the hinge to start vibration wear



FAA-PMA Approved

Caravan Parts

Cessna Caravan Main Wheel Bolts STC

For Caravan operators who demand the most from their equipment

The high-strength wheel bolts have been proven in the field to reduce fretting between wheel halves and provide an additional margin of safety for the wheel assembly. High strength MS21250 bolts replace the standard AN5 hardware that fasten the wheel halves and brake disc together. High-strength nuts and countersunk washers are included with each kit.

Replacement bolts come in two lengths to accommodate aircraft with and without brake disc spacers, and are eligible for aircraft equipped with certain gross weight increase STCs. The high-strength wheel bolts are approved to use with any Cessna 208/208B tire installations.

Replacement hardware is eligible only on the 10-inch diameter Cleveland wheel and brake assembly P/N 20-244, aircraft equipped with any of the Aeroacoustics Aircraft Systems, Inc. Caravan STCs or on aircraft with or without Aero Twin, Inc. brake disc spacer STC SA02126AK-D.

Purchase Options and Part Numbers

P/N AFC-208BOLTKIT-STC-Only

Contains a copy of the STC, installation instructions, and permission letter from the manufacturer. Hardware is not included.

P/N AFC-208BOLTKIT-STC+058

Contains the 058 hardware kit for aircraft without disc spacers, a copy of the STC, installation instructions, permission letter from the manufacturer and complete hardware kit for one aircraft including bolts, nuts, and countersunk washers. The kit includes enough hardware for two wheels (one aircraft).

P/N AFC-208BOLTKIT-STC-058

Hardware kit only for aircraft without disc spacers. Customer must already have purchased the STC. Includes complete hardware kit for one aircraft with bolts, nuts, and countersunk washers. The kit includes enough hardware for two wheels (one aircraft).

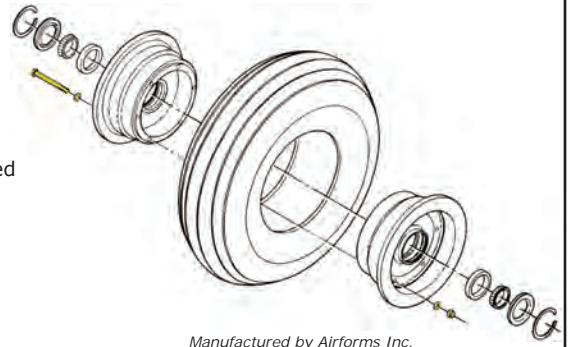
P/N AFC-208BOLTKIT-STC+060

Contains the 060 hardware kit for aircraft with disc spacers, a copy of the STC, installation instructions, permission letter from the manufacturer and complete hardware kit for one aircraft including bolts, nuts, and countersunk washers. The kit includes enough hardware for two wheels (one aircraft).

P/N AFC-208BOLTKIT-STC-060

Hardware kit only for aircraft with disc spacers. Customer must already have purchased the STC. Includes complete hardware kit for one aircraft with bolts, nuts, and countersunk washers. The kit includes enough hardware for two wheels (one aircraft).

- High strength hardware helps prevent fastener failure during operations
- Two configurations of bolt kits
- Multiple purchase options
- STC is FAA and EASA approved



Manufactured by Airforms Inc.

Passenger Door Step for Cessna Caravan

Durable Aluminum Step with STC!

Individual Step P/N AF2617076-1

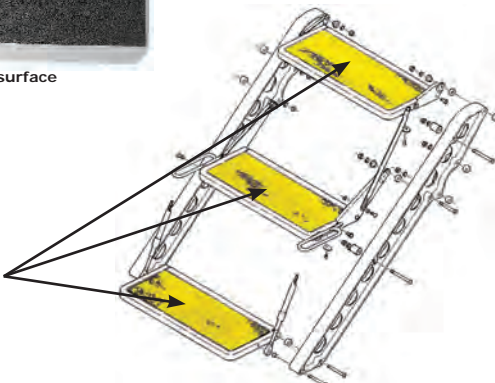
Complete kit containing all three steps P/N KIT-AF2617076-1

Engineered for increased longevity and is constructed solely from aluminum to eliminate the incidence of delaminating. Direct replacement for Cessna P/Ns 2617076-1 (lower), 2617076-10 (upper) and 2617076-11 (middle).

- FAA-PMA STC Approved - STC comes with the part
- Fits all Cessna 208/208B Aircraft
- Slip resistant tread surface
- Withstands significantly more weight than OEM part
- Powder coated to resist corrosion
- Longer service life
- More resistant to weather and the damaging effects of moisture



Slip resistant tread surface



Save \$\$\$
Replace all three steps!
P/N KIT-AF2617076-1

Floatplane Steps and Handles

Safely climb onto your aircraft with P/N FP8-100

Provides access to the top of the wing for fueling without a ladder.

- Easily and safely fuel your aircraft
- Designed for floatplanes, but can be used on land-based 208 aircraft
- Only applicable for 208 model
- Acceptable Alternate Method of Compliance (AMOC) to AD 2006-01-11 for 208's not approved for flight into known icing



Manufactured by AeroTwin

Exhaust Deflector

P/N ED8-100

P/N ED8-100-3 (with Camera Ops)

Keeps exhaust from impinging on the cargo pod. For aircraft with infrared cameras installed, P/N ED8-100-3 extends the deflector to avoid the camera view.

- Greatly reduces temperatures on the forward pod
- Eliminates exhaust stains
- Save \$\$\$ on repairing heat-induced pod delamination



Manufactured by AeroTwin

Door Hinges for Cessna Caravan

Door hinges have bushings for longer wear!

As the original equipment hinge halves wear and the aircraft door starts to sag, Cessna Service Bulletin CAB96-2 allows a one time repair through the use of an oversize door hinge pin. When the hinge again becomes worn and the door sags, the hinge halves must be replaced and an original size hinge pin re-installed.

- FAA-PMA direct replacements
- Fits all Cessna 208/208B aircraft
- Anodized for corrosion resistance
- Precision fit
- Available with or without bushing
- Replaceable bushings allow extended service life!



Hinge bushing, short
P/N AF2617015-025



Hinge bushing, long
P/N AF2617015-049



P/N AF2617015-21-B



P/N AF2617015-21



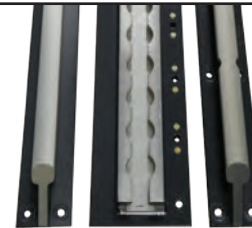
Bushed Hinge P/N	Standard Hinge P/N	Cargo Door	Crew Door	OEM P/N
AF2617015-17-B	AF2617015-17		RH Lower Fwd	2617015-1 or 17
AF2617015-18-B	AF2617015-18	Lower Fwd	LH Lower Fwd	2617015-2 or 18
AF2617015-19-B	AF2617015-19		RH Upper Fwd	2617015-11 or 19
AF2617015-20-B	AF2617015-20	Upper Fwd		2617015-4 or 20
AF2617015-21-B	AF2617015-21	Lower, Lower Aft	LH Lower Aft	2617015-13 or 21
AF2617015-22-B	AF2617015-22		LH Upper Fwd	2617015-12 or 22
AF2617015-23-B	AF2617015-23	Upper, Upper Aft	LH Upper Aft	2617015-15 or 23
AF2617015-24-B	AF2617015-24		RH Lower Aft	2617015-14 or 24
AF2617015-26-B	AF2617015-26		RH Upper Aft	2617015-16 or 26
Bushing P/N				
AF2617015-025 (short) AF2617015-049 (long)				

Manufactured by Airforms, Inc.

Crew Rails and Cargo Tracks for Cessna Caravan

The manufacturing leader of seat rails now has FAA-PMA approval on rails and tracks for 208 series aircraft!

- FAA-PMA direct replacements
- Improved thickness and stability
- Fits all Cessna 208/208B aircraft
- Anodized for superior wear and corrosion resistance
- Precision fit



The primary source of failure for these tracks is corrosion. Moisture and de-icing compounds are commonly exposed to the aluminum surface, causing corrosion over time. McFarlane has improved the surface protection on our tracks and rails by anodizing per MIL-A-8625, Type II, providing a far superior wear and corrosion resistant surface. McFarlane rails and tracks are also primed per MIL PRF-23377 on the underside and top of the flanges of the extrusions. McFarlane will also top coat paint the primed area with a top coat polyurethane paint per MIL-PRF-85285 as recommended for corrosion protection in the Cessna 208 maintenance manual. The upper section of the extrusions are not painted or primed to prevent any interference issues with the seat clamps/lugs and cargo attachments interface with these edges.

With two versions available, drilled or undrilled, McFarlane seat rails will meet your needs.

McFarlane offers the Seat Rails with the rivet holes drilled in the bottom flange, and in an "S" suffix part number which has the rivet holes in the flange omitted. This undrilled version allows for easier installation in a replacement part situation as it allows the installer to match drill the original holes from the frame/aircraft to the seat rail.

To order drilled rails use the part numbers below. To order undrilled rails add an "S" suffix to the part number below.

Example P/N MC2601088-1 (drilled) and P/N MC2601088-1S (undrilled).

Model	Serial Number	Type	Crew Rails		Passenger/Cargo Rails				
			Pilot & Copilot		Outboard LH	Inboard LH	Inboard RH	Outboard RH	Center
208	20800001 thru 20800219	With cargo barrier	MC2601088-1 Inboard LH 3	MC2611060-3 1	MC2611060-12 1	MC2611060-10 1	MC2611060-8 1	MC2611060-14 2	
			MC2601088-3 Outboard LH & RH						
			MC2601088-2 Inboard RH 3						
	20800220 thru 20800293	No cargo barrier	MC2613039-1 3						
208B	20800294 thru 20899999	With cargo barrier	MC2613039-4 3	MC2611040-5 1	MC2611040-23 1	MC2611040-24 1	MC2611040-12 1	MC2611040-27 2	
		No cargo barrier	MC2613039-1 3						
	208B0001 thru 208B0312	Cargo version	MC2601088-1 Inboard LH						
	208B0214 thru 208B0312	Passenger version	MC2601088-3 Outboard LH & RH						
	208B0313 thru 208B0715	Cargo and passenger version	MC2601088-2 Inboard RH						
208B0716 thru 208B9999	Cargo and passenger version with cargo barrier	MC2613039-4 3							
	Cargo and passenger version no cargo barrier	MC2613039-1 3							

Notes:

To order undrilled seat rails add and "S" suffix to the part number

1 Quantity of one per part number required

2 Quantity of two per part number required

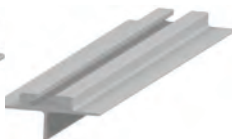
3 Quantity of four per part number required

Seat Rail Extrusion

Blank extrusion sold separately by the inch, we can also custom machine to your specifications.



P/N STES2343-1



P/N STES2617-1

Brownline Style Seat/Cargo Tracks

Slotted extrusion with 0.785" diameter openings every one inch. Dimension meet MS33601 except thinner for reduced weight. Compatible with common MS33601 cargo tie down and seat stud fittings.

Precision machined and anodized for corrosion protection.

Standard Lengths:

P/N 6656-L (L = minimum length in inches)
Available in 6, 12, 18, 24, 36, 48, 72, 96, 120, 144, 160, and 179 inch lengths



Seat Removal Tool

Makes seat removal easy!
P/N AT-SRT-01

Usable on most aircraft seats utilizing Brownline-style track fittings.



Manufactured by AeroTwin

D A M™ Exhaust Lube

Aircraft Exhaust Anti-seize/Lubricant — The only anti-seize that works!

DAM exhaust lube is designed specifically for aircraft exhaust ball joints, clamps, slip joints, and hardware. A low viscosity liquid is blended with molybdenum-disulfide and other special micro-lubricants to produce a protective dry lubricant film. This film imbeds into the stainless steel and keeps your joints lubricated for years!

- Protects up to 2400° F
- **No** stainless corroding **graphite**
- Prevents heat corrosion and joint lockup
- Joints stay free to move with thermal expansion
- No greasy powdered metal paste that locks up anyway
- Low viscosity — a little goes a long way
- Loosens assembled joints

Do not use an anti-seize that contains graphite on your exhaust systems. Graphite corrodes and destroys the grain structure of stainless steel.

Directions

Shake well.

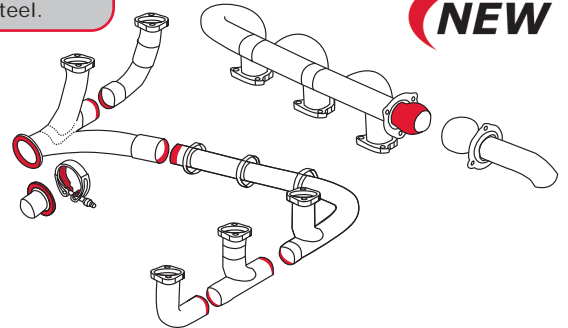
Pre-assembly: Clean joint and apply a wet coat to both surfaces to be joined. The joint can be assembled wet or dry.

Assembled joints: Apply several times to joint edge. Allow time for capillary action to penetrate the joint. For better penetration of locked up joints, mix 50/50 with acetone, MEK, toluene, or similar solvents.



4 oz. can
P/N DAM20-4.0

Handy Swab-top Can!



FOR BEST RESULTS, APPLY BEFORE ASSEMBLY
(Can also be applied to joint edges on older assemblies)



NEW

D A M™ Window Cleaner

Fast and easy aircraft window cleaner.

- Aircraft size 1.5 oz. P/N DAM17-1.5
- Hangar size 16 oz. P/N DAM17-16
- Refill size 1 Gallon P/N DAM17-GAL

A fast, streak free liquid spray designed for acrylic and other surfaces. The carnauba wax and polymer formula fills minor scratches and leaves a slick clean surface that makes cleaning bugs easier next time. Freezing and thawing of the DAM window cleaner does not affect the performance of the product. Thaw and shake to use.

- Liquid spray — no smeary paste
- No ammonia and only a harmless trace of alcohol
- Anti-static — repels dust
- Safe on all surfaces — encapsulates the dirt as it works
- Amazing *Melt Away* cleaning power
- Economical — a little goes a long way
- Hazes off for a streak free polish finish
- Improves visibility in the rain

Cotton Towels

Stop scratching your window with paper towels!

- Won't scratch
- Reusable final wipe and polish towel great for many cleanings
- Cheap enough to throw away
- Available in convenient 5 or 20 packs

You will love the results!



Request a sample!
P/N DAM17-1.5

Part Number	Description	Size	Qty.
DAM17-1.5	Aircraft size	1.5 oz.	1
DAM17-1.5C	Aircraft size	Case	14
DAM17-16	Hangar size	16 oz.	1
DAM17-16C	Hangar size	Case	12
DAM17-GAL	Refill size	Gallon	1
DAM17-GALC	Refill size	Gallon	4
Complete Window Cleaning Kits			
DAM17-KIT	Aircraft size	1.5 oz.	1
	Hangar size	16 oz.	1
	Cotton Towels		5
DAM17-GAL-KT	Refill size	Gallon	1
	Aircraft size	1.5 oz.	3
	Hangar size	16 oz.	3
Towels			
AC1212-5			5
AC1212-20	Cotton Towels		20

Directions

Shake well.

Spray on windows and rub bugs, dirt, and smears with your hand or with a small towel saturated with D A M™ until contaminants are loose and melted. Keep the surface wet with D A M™ as you clean.

Wipe the window clean but not necessarily completely dry with a soft cotton or micro-fiber towel. The remaining D A M™ will quickly haze-off.

Finish by polishing with a clean dry cotton towel. Do not use paper towels as they have wood fiber that can scratch.

Three Hole Inspection Plates

Now offering FAA-PMA replacement inspection plates for Cessna aircraft
Multiple finish options and cost savings!

A more cost effective solution to replace your missing or corroded plates.

- Bare, primed, or painted — more options provide easier installation!
- Treated for anti-corrosion
- Save up to 50%
- Quantity discount available!

MCS225-2 has dimpled holes
MCS225-1 has plain holes

You pick the finish!

Wash primed and epoxy-primed

Primed

P/N MCS225-1 or MCS225-2

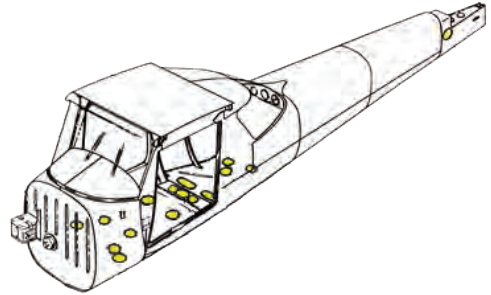
Bare

P/N MCS225-1B or MCS225-2B

Painted

P/N MCS225-1T or MCS225-2T

NEW



Save time with easier installation and multiple finish options!

Aircraft	P/N ¹	Cabin Heating & Ventilation		Cabin Floorboard	Forward Fuselage	Fuel Bay	Fuselage	Horizontal Stabilizer	Leading Edge	Lower Cabin	Skins	Stabilator	Stringers	Tailcone	Wing	Wing Assembly	Wing Skin Assembly	Wing Strut	Wing-Integral Fuel Cell	
		Elevator																		
150, 150A,B,C,D,E,F,G	MCS225-1	•																		
150H	MCS225-1	•	•																	
	MCS225-2																			
150J	MCS225-1		•																	
	MCS225-2																			
150K,L,M, A150K,L,M	MCS225-1					•	•													
	MCS225-2																			
152	MCS225-1							•	•											
	MCS225-2																			
A152	MCS225-1							•												
	MCS225-2																			
172, 172A	MCS225-1																			
172B,C	MCS225-1					•														
172D,E,F,G,H,I,K,L	MCS225-1					•														
	MCS225-2																			
172M,N	MCS225-1					•														
	MCS225-2																			
172P,Q	MCS225-1					•														
	MCS225-2																			
172R	MCS225-1					•	•													
	MCS225-2																			
172S	MCS225-1					•														
	MCS225-2																			
175, 175A,B,C	MCS225-1																			
	MCS225-2																			
182E	MCS225-1					•														
	MCS225-2																			
182F,G	MCS225-1					•														
	MCS225-2																			
182H,J,K,L,M	MCS225-1																			
	MCS225-2																			
182N	MCS225-1					•														
	MCS225-2																			
182P	MCS225-1					•														
	MCS225-2																			
182Q,R	MCS225-1					•														
	MCS225-2																			
182S,T, T182T	MCS225-1					•	•													
	MCS225-2																			
T182	MCS225-2																			
206H,T206H	MCS225-1					•														
U206F,G, TU206F,G	MCS225-1																			
	MCS225-2																			



5 inches diameter

Cessna Brake Line Fairing Extrusion

Reduce drag!
P/N P580058

- Paintable
- Easily attaches with super glue
- Replaces P/N S1511-1

White rubber extrusion that attaches to the trailing edge of flat Cessna landing gears and serves as a fairing for the brake line.

This extrusion was original equipment on later model aircraft with flat gears. Many mechanics use this as an improvement for the earlier aircraft.



Manufactured by Cessna Aircraft Company



**Central Texas Aircraft Parts
Manufacturing FAA-PMA Aircraft
and Engine Components for TPE 331 Engines**

The parts you need at the prices you want!
For specific eligibility on products see www.mcfarlaneaviation.com

Thrust Reverser Inspection Kits

Items contained in the HP201TR kits are standard parts used in a 1400HR TR inspection.

The HP200TR kit consists of two HP201TR kits to service both engines. In addition to the PMA'd parts all hardware required is included and there will normally be a few extra parts left over.

Most of these parts are also used on Dassault Falcon 20's that have the Aeronca STC installed and on all Sabreliner model 80 aircraft. The main difference in the 1400 HR kits for these aircraft (P/N HP100TR) is that the Falcons and Sabreliners use the 232-20260-1HP bearing instead of the 45-12216-1HP bearing.

In addition to the standard parts replaced during the 1400 HR inspection P/N 3233190-2HP Vespel bearing (eight per A/C) may or may not be needed.

FAA-PMA approved and industry standard components.



TR Inspection Kits

P/N	Description	Qty
AN960C10L	Washer	12 24
AN960-416	Washer	2 4
D6-1	Washer	60 120
D6-4	Washer	4 8
MS21043-3	Nut	14 28
MS21043-4	Nut	4 8
MS24665-151	Cotter Pin	6 12
MS24665-153	Cotter Pin	5 10
MS24665-302	Cotter Pin	2 4
M9364-10	Nut	4 8
M9464-09	Pin	4 8
NAS1291C4M	Nut	10 20
NAS1351C3-8	Screw	10 20
NAS620C416L	Washer	4 8
NAS620-416L	Washer	16 32
232-20268-503HP	Shoulder Bolt	4 8
232-20426-1HP	Bushing	4 8
3515-28-04	Washer	4 8
45-12216-1HP	Bearing	4 8

1 Contains enough components for one engine
2 Contains enough components for two engines

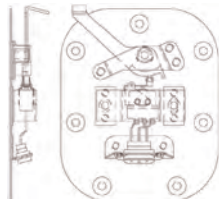
FAA-PMA Cable Assemblies for Learjet

Aircraft Model	Part Number
24, 24A,B,B-A,C,D,D-A,E,F,F-A, 25, 25A,B,C,D,F, 31, 31A, 35, 35A, 36, 36A	HP2411660-13 HP2411660-15 HP2411660-34
24, 24A,B,B-A,C,D,D-A,E,F,F-A, 25, 25A,B,C,D,F, 35, 35A, 36, 36	HP2411660-18
55, 55B, 55C, 60	5415530-5HP
55	5415542-16HP
	5415542-23HP
55, 55B, 55C	5415542-26HP
60	6015550-002HP 6015550-003HP



**DPI - (Door Position Indicator) Switches and Kits for Learjet
FAA-PMA and industry standard components**

P/N	Description	Qty
45-0008-KIT	DPI Switch and Acuator Kit	1
45-12368-KIT	DPI Pivot Arm Kit	1
45-12370-1HP	Mounting Plate Assy.	1
MS24694-C3	Screw	2
MS35333-72	Washer	2
MS21043-08	Nut	2



DPI Switch and Plate Kit P/N 45-12370-10TR

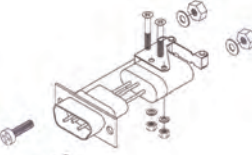
P/N	Description	Qty
45-12368-KIT	DPI Pivot Arm Kit	1
45-12370-1HP	Mounting Plate Assy.	1
MS24694-C3	Screw	2
MS35333-72	Washer	2
MS21043-08	Nut	2

Contains enough components for one engine

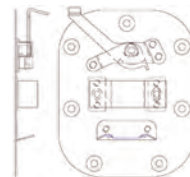
P/N	Description	Qty
45-12356-1HP	Spring	1
45-12370-109	Pin	1
45-12368-9HP	Pivot Arm	1
MS24665-132	Cotter Pin	1

Contains enough components for one engine

P/N	Description
45-12368-9HP	Pivot Arm
45-12256-3HP	Bumper Plate
45-0008-07HP	Plug and Switch Assy
45-12449-3HP	Actuator Assy
45-12356-1HP	Spring
45-12370-1HP	Switch Plate Assy



DPI Switch and Actuator Kit P/N 45-0008-KIT



Switch Plate Kit P/N 45-12370-1HP



DPI Pivot Arm Kit P/N 45-12368-TR

TPE331 Bushings, Bearings and Components FAA-PMA approved

Part Number	Description	Part Number	Description	Part Number	Description	Part Number	Description
3101373-1HP	Lock Plate	3101703-1HP	Bushing	3101703-5HP	Bushing	3101759-7HP	Bushing
3101703-10HP	Bushing	3101703-20HP	Bushing	3101703-6HP	Bushing	865057-7HP	Retainer
3101703-11HP	Bushing	3101703-24HP	Bushing	3101703-7HP	Bushing	865542-5HP	Bearing Sleeve
3101703-12HP	Bushing	3101703-25HP	Bushing	3101703-8HP	Bushing	867595-3HP	Gasket
3101703-13HP	Bushing	3101703-26HP	Bushing	3101703-9HP	Bushing	867681-5HP	Seal Disk
3101703-14HP	Bushing	3101703-27HP	Bushing	3101759-1HP	Bushing	867905-1HP	Valve Seat
3101703-15HP	Bushing	3101703-28HP	Bushing	3101759-2HP	Bushing	868746-6HP	Gasket
3101703-16HP	Bushing	3101703-29HP	Bushing	3101759-3HP	Bushing	869615-1HP	Bearing Sleeve
3101703-17HP	Bushing	3101703-2HP	Bushing	3101759-4HP	Bushing	869615-2HP	Bearing Sleeve
3101703-18HP	Bushing	3101703-3HP	Bushing	3101759-5HP	Bushing	869616-1HP	Bearing Sleeve
3101703-19HP	Bushing	3101703-4HP	Bushing	3101759-6HP	Bushing	869616-2HP	Bearing Sleeve

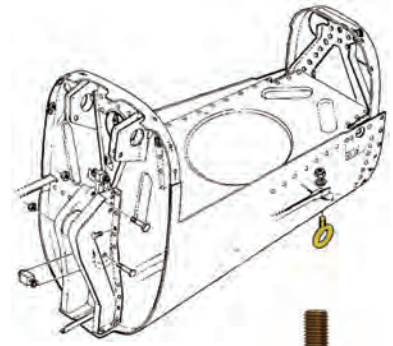
Part Number	Description
893579-1HP	Bushing

Tail Tie Down Eye Bolts

Save money with McFarlane's affordable eye bolts!

- FAA approved for the tail tie down for most Cessna aircraft. Also approved for wing and fuselage tie down for some aircraft
- Replace your tie down eye bolts if they are rusted, bent, or ground flat from a tail low landing

Aircraft Model	Serial Number	Part Number	Location					
			Fuselage	Tail			Wing	
			MC0422344	MC0422344	MC0422344	MC0523613-1	MC0523613-4	MC0422344
150, 150A,B,C,D,E,F,G,H,J, F150F,G,H,J	All					1		
150K,L,M, A150K,L,M, F150K,L,M, FA150K,L,M, FRA150L,M	All						1	
152 A152 F152 FA152	15279406 thru 15284541 A1520735 thru A1520943 F15201429 thru F15201828 FA1520337 thru FA1520372					1		
	15284542 and On A1520944 and On F15201829 and On FA1520373 and On							1
172, 172A,B,C,D,E,F,G,H,I,K,L,M,N,P,Q,R,S, F172D,E,F,G,H,K,L,M,N,P, FR172E,F,G,H,J,K, P172D, R172K	All		1	1				
172RG, R172E,F,G,H	All			1				
175, 175A,B,C	All		1	1				
180, 180A,B,C,D,E,F	All 1				1			
182, 182A,B,C,D	All		1	1				
182E,F,G,H,J,K,L,M,N,P,Q,R,S,T	All			1				
F182P,Q, FR182, R182, T182, T182T, TR182	All			1				
188, 188A,B, A188, A188A, A188B, T188C	All							2
188, 188A, A188, A188A	All		5					
190, 195, 195A,B	All							2
210-5 (205), 210-5A (205A)	All			1				
206, 206H, U206, U206A,B,C,D,E,F,G, P206, P206A,B,C,D,E, T206H, TP206A,B,C,D,E, TU206A,B,C,D,E,F,G	All 1 2			1				
207, 207A, T207, T207A	All			1				
208, 208B	All			1				
210, 210A,B,C,D,E,F,G,H,J,K,L,M,N,R, P210N,R, T210F,G,H,J,K,L,M,N,R	All			1				
310, 310B,C,D,F,G,H,I,J,J-1,K, E310H,J	All							2
320, 320-1, 320A,B,C	All							2
336, 337, 337A,B, T337B	All							2



1 Includes Amphibian and floatplane aircraft.
2 Amphibian and floatplane aircraft use two each instead of one.

Tail Slide

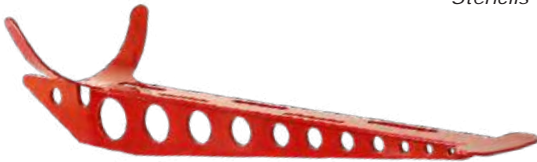
STC approved for Cessna aircraft

Protect your aft bulkhead in the case of an accidental tail strike!
Perfect for flight training and rough fields

- Made from high-strength aluminum
- Epoxy-primed and ready for paint!
- Tail Slide Abrasion Guard available separately



Stencils included



Prevents tail cone and bulkhead damage

Manufactured by Middle Fork Mods

Aircraft	S/N	P/N
172, 172A,B,C,D,E,F,G,H,I,K,L,M,N,P,Q,R,S, 172RG, F172D,E,F,G,H,K,L,M,N,P, F172P, FP172, FR172E,F,G,H,J,K, R172E,F,G,H,J,K, P172D	All	TAIL SLIDE 172 KIT
175, 175A,B,C	All	TAIL SLIDE 172 KIT
182, 182A,B,C,D,E,F,G,H,J,K,L,M,N,P,Q,R,S,T, R182, T182, T182T, TR182	All	TAIL SLIDE 182-210 KIT
210-5 (205), 210-5A (205A)	All	TAIL SLIDE 182-210 KIT
206, 206H, T206H, P206, P206A,B,C,D,E, TP206A,B,C,D,E, TU206A,B,C,D,E,F,G, U206, U206A,B,C,D,E,F,G	All	TAIL SLIDE 182-210 KIT
207, 207A, T207, T207A	All	TAIL SLIDE 182-210 KIT
210, 210A,B,C,D,E,F,G,H,J,K,L,M,N,R, P210N,R, T210F,G,H,J,K,L,M,N,R	All	TAIL SLIDE 182-210 KIT

Stabilator Brackets for Helio H-295 Courier Aircraft

Left Hand P/N AF391-022-401-2

Right Hand P/N AF391-022-401-3

Stronger than original welded assemblies!

Manufactured from high-strength material and machined from a single billet

- Cad plated and primed for more durability
- Sold as a match-machined set
- Mounting holes are match drilled at installation to ensure exact fit!



Manufactured by Airforms Inc.

Tail Slide Abrasion Guard

P/N TAIL SLIDE ABRASION GUARD

Guards the Tail Slide section most affected by damage

- Abrasion-resistant steel
- Ideal for flight training purposes



Manufactured by Middle Fork Mods

FAA-PMA Approved

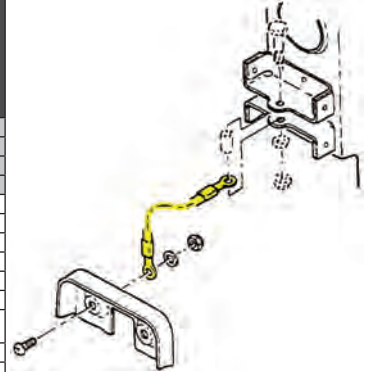
Cessna Bonding Straps

Direct replacements for 1517102 series bonding straps
FAA-PMA approved!



P/N MC1570102-29

Save \$\$\$



P/N MC1570102-27 P/N MC1570102-26



P/N MC1570102-35

Tools and Miscellaneous

Model	Serial Number	P/N	Alleron	Alleron, Static Discharge Wick	Bendix King Weather Radar	Elevator	Elevator, Static Discharge Wick	Elevator, Trim Tab	Gwx 68 Weather Radar	Narco Weather Radar	Rudder	Rudder, Static Discharge Wick	Stabilator	Stabilizaer	Static Discharge Wick	Vertical Fin	Wingtip Light	
150M ¹	15077006 thru 15079405	MC1570102-10															2	
A150M ¹	A1500610 thru A1500734	MC1570102-18									1							
F150M ¹	F15001249 thru F15001428	MC1570102-19	2															
FA150M ¹	FA1500282 thru FA1500336	MC1570102-20				2												
152 ¹ A152 ¹ F152 ¹ FA152 ¹	15279406 thru 15284541	MC1570102-18									1							
	A1520735 thru A1520943	MC1570102-19	2															
	F15201429 thru F15201828	MC1570102-20				2												
	FA1520337 thru FA1520372	MC1570102-26															2	
	15284542 thru 15285833	MC1570102-19	2															
	A1520944 thru A1521025	MC1570102-20				2												
15285834 thru 15286033	MC1570102-14				2													
A1521026 thru A1521049	MC1570102-19	2																
F15201944 thru F15201980	MC1570102-26																2	
FA1520388 thru FA1520425	MC1570102-12									1								
172M ¹ ,N,P,Q	17265685 thru 17276654	MC1570102-14				2												
172RG	172RG0001 thru 172RG1191	MC1570102-19	2															
F172M ¹ ,N,P	F17201385 thru F17202254	MC1570102-26															2	
172R ¹	17280001 thru 17281566	MC1570102-12									1							
		MC1570102-14				1												
		MC1570102-19	2															
	17281567 thru 17281568	MC1570102-12										1						2
		MC1570102-14				1												
		MC1570102-26																2
17281569 and On	MC1570102-14				1													
	MC1570102-26										1						2	
172S ¹	172S8001 thru 172S11004	MC1570102-12								1								
	172S11005 thru 172S11034	MC1570102-19	2															
	172S11035 and On	MC1570102-36									1							
FR172J ¹ ,K	FR17200560 thru FR17200675	MC1570102-10											1				2	
R172K	R1722000 thru R1723454	MC1570102-12																
		MC1570102-14																
		MC1570102-19	2															
177B ¹	17702314 thru 17702752	MC1570102-1															2	
		MC1570102-12															1	
177RG ¹	177RG0787	MC1570102-12											1					
177RG ¹	177RG0788 thru 177RG1366	MC1570102-1	1								1							
F177FG ¹	F177RG0139 thru F177RG0177	MC1570102-12												1				
180J ¹ ,K ¹	18052621 thru 18053203	MC1570102-1					4											
	18260826 thru 18261425	MC1570102-16	2								1							
182P ¹ ,Q ¹ ,R	18261426 thru 18262465	MC1570102-10															1	
		MC1570102-1				2					2						1	
		MC1570102-8																
	18262466 thru 18264295	MC1570102-10																1
		MC1570102-1				2						1						
		MC1570102-12																
18264296 thru 18266590	MC1570102-1				2													
	MC1570102-12										1							
18266591 and On	MC1570102-16		1														1	
	MC1570102-1					2												
	MC1570102-1										1							
	MC1570102-12		1															
182S,T	All	MC1570102-1				1												
T182, T182T		MC1570102-12									1							
		MC1570102-16	1															
F182P,Q ¹	F18200001 thru F18200094	MC1570102-1																
		MC1570102-12									1							
	MC1570102-16				1												1	
	MC1570102-1					2												
F18200095 and On	MC1570102-1																	
	MC1570102-12										1							
	MC1570102-16		1															

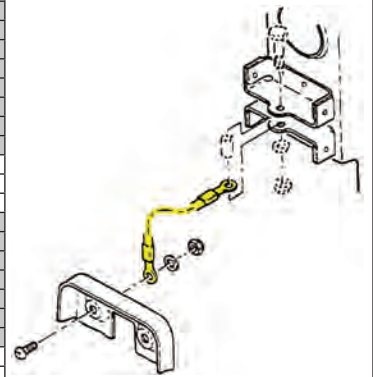
¹ Partial model eligibility

Eligibility continues on next page

NEW

Tools and Miscellaneous

Model	Serial Number	P/N	Aileron	Aileron, Static Discharge Wick Bendix King Weather Radar	Elevator	Elevator, Static Discharge Wick	Elevator, Trim Tab	Gwx 68 Weather Radar	Narco Weather Radar	Rudder	Rudder, Static Discharge Wick	Stabilator	Stabilizer	Static Discharge Wick	Vertical Fin	Wingtip Light
FR182 R182 TR182	FR18200001 thru FR18200020	MC1570102-1			2						1					
		MC1570102-8								1						
	FR18200021 and On	MC1570102-12	1								1					
		MC1570102-16				2					1					
A185F	18502839 thru 18504448	MC1570102-1				4										
TU206F TU206F,G TU206F,G	TU20601701 thru TU20601918	MC1570102-12		4							4					
	TU20601919 thru TU20603020	MC1570102-8								1						
		MC1570102-12								1						
	TU20603021 thru TU20603521	MC1570102-1				2										
		MC1570102-12								1						
		MC1570102-21	2													
TU20603522 and On	MC1570102-1				2										2	
	MC1570102-10															
206H, T206H	All	MC1570102-1			2											
		MC1570102-12								1						
207, 207A T207, T207A	20700001 thru 20700217	MC1570102-10														2
		MC1570102-8								1						
	20700218 thru 20700314	MC1570102-10									1					2
		MC1570102-12									1					
208, 208B	20800001 thru 20800499 20800518 thru 20899999 208B0180 thru 208B1999 208B2159 thru 208B9999	MC1570102-10														2
		MC1570102-21	1													
		MC1570102-27									2					
		MC1570102-28				3										1
		MC1570102-29					1									
210L T210L T210L	21059720 thru 21061039 21061040 thru 21064135 21064136 thru 21064897 21064898 thru 21065009	MC1570102-1	2		2											
		MC1570102-8								1						
		MC1570102-10														2
		MC1570102-1	2		2											
P210N,R	All	MC1570102-1														
		MC1570102-8								1						
T303	All	MC1570102-1														
		MC1570102-14	2													
337G F337G	33701463 thru 33701606 F3370056 thru F33700071	MC1570102-1														2
		MC1570102-8									2					
337G F337G	33701607 thru 33701950 F3370072 thru F3379999	MC1570102-1														2
		MC1570102-1														
FT337GP FT337HP P337H T337G	FP3370001 thru FP3370013 P3370001 thru P3370193 FP3370014 thru FP3379999 P3370194 thru P3370356	MC1570102-1						1								1
		MC1570102-8								2						
		MC1570102-10														
T337H	All	MC1570102-1														1
		MC1570102-8								2						
T337H-SP	All	MC1570102-1														2
		MC1570102-8								1						1



P/N MC1570102-14



P/N MC1570102-1



P/N MC1570102-8

1 Partial model eligibility
 2 Applicable to S/N 20800146 thru 20899999 and 208B0001 thru 208B9999.
 3 Applicable to S/N 20800001 thru 20800221 and 208B0001 thru 208B0318.
 4 Applicable to S/N 20800222 thru 20899999 and 208B0319 thru 208B9999.
 5 Model 208 S/N 20800001 thru 20800246 require (1) for Bendix Weather Radar and (1) for Narco Weather Radar.
 S/N 20800247 thru 20800499 require (1) for Bendix King Weather Radar. S/N 20800518 thru 20800581 require (1) for Gwx Weather Radar.
 Model 208B S/N 208B0180 thru 208B0498 require (1) for Bendix Weather Radar and (2) for Narco Weather Radar.
 S/N 208B0418 thru 208B1999 require (2) for Bendix King Weather Radar. S/N 208B2159 thru 208B5271 require (2) Gwx 68 Weather Radar.



Seat Roller Housing Gauge for Cessna Aircraft

P/N TOOL110

- Hardened Stainless Steel
- Save time! Two times faster than calipers
- Step by step instructions
- Measures all three dimensions

Scan the code to watch our product tutorial!

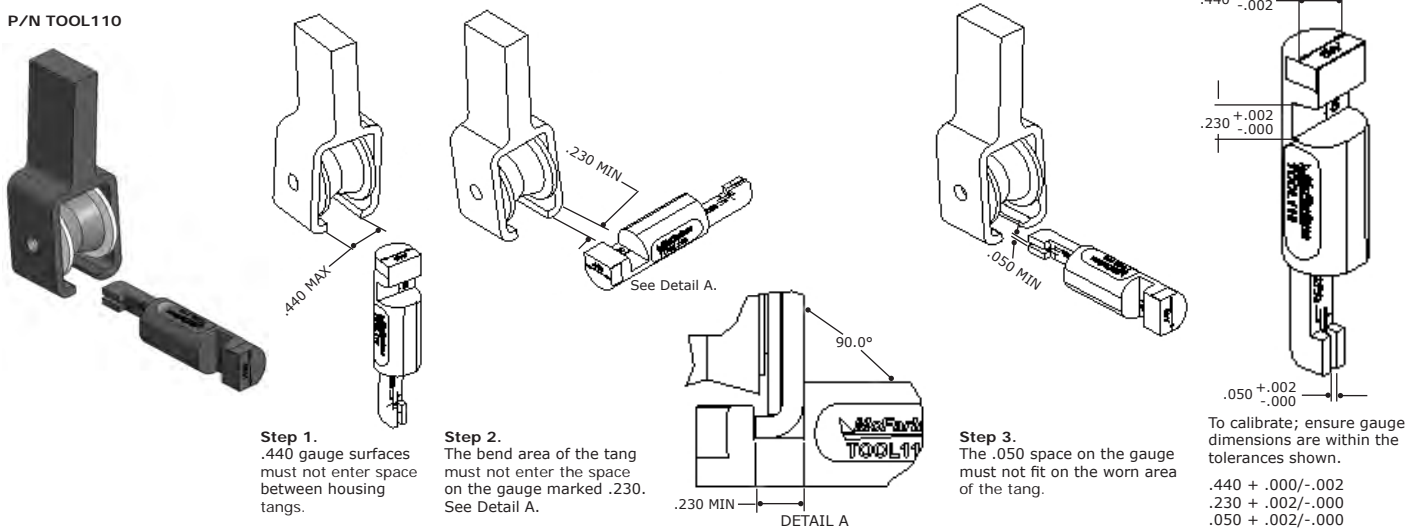
<https://youtu.be/qeCq611uFws>



Checks Cessna seat roller housing limits as per FAA AD 2011-10-09

The McFarlane Seat Roller Housing Gauge is designed to facilitate inspection of seat roller housings for wear in Cessna aircraft as required by mandatory FAA AD 2011-10-09. This gauge simplifies determining whether the housing is in or out of tolerance by allowing the areas of concern to be gauged as opposed to measuring each individual attribute on each seat roller housing with calipers.

P/N TOOL110



Seat Rail Wear Gauge for Cessna Aircraft

Checks seat rail wear limits as per FAA AD 2011-10-09
Seat Rail Directive

Fast and Positive - No More Guessing!!

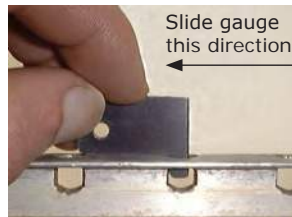
- Precision machined heat treated steel
- Best way to check seat rails for the limits defined by FAA AD 2011-10-09
- Save time and \$\$\$

The McFarlane Seat Rail Wear Gauge is designed to check for seat rail pin engagement hole wear on Cessna aircraft, as required by FAA AD 2011-10-09.

This gauge is designed to measure the actual radius wear near the seat stop holes and allows for the 0.020" upper surface wear permitted by the AD.



1. Place the gauge into each hole location showing wear.



2. Slide gauge back along top center of the rail until it contacts the hole edge. Make sure to keep the gauge parallel and square to the unworn rail surface.



3. If the step touches the rail, lifting the gauge up, the wear is less than 0.42. If the step does not touch the rail, the wear is more than 0.42 and the seat rail must be replaced.



U-Joint Taper Pin Removal Tool for Piper Control Yoke

P/N TOOL107

- Save time and money
- Makes removal of stuck pins easy
- Prevents damage from hammering behind the panel
- Compact to get in tight places
- Heat treated 4140 Alloy Steel



Small Radius 1/8" Tube Bender

Ideal for fuel injection, primer, oil pressure, and oxygen lines!
Tube Bender P/N 364-FH-02

- Easily fabricate 3/8" radius bends up to 180°
- Calibrated to show angle of bend
- For bending 1/8" OD soft copper, aluminum, brass, steel, stainless steel, and other tubing



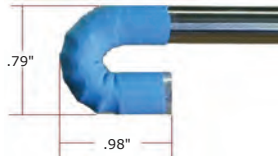
Borescopes

Acquire Detailed Visual Inspection with 180° Articulating Probe

Finally a *low cost*, articulating borescope that really works!

Technology has made borescopes a good investment even if you only need it a few times a year.

- Precision optics
- Cost effective
- Look back with 180° articulation
- Connect easily to computer, tablet or phone
- LED illumination
- High quality CMOS sensor
- Durable carrying case



NEW



Ideal for detailed visual inspection in hard to reach places. The bendable 0° to 180° continuously adjustable, articulating probe offers a panoramic view of the area being inspected and the wide focal distance makes both close up and general inspection crisp and clear. Six built in LEDs for illumination. Includes a press and release option in addition to a locking and unlocking feature.

AirBox WiFi Converter provides a wireless solution for mobile device users (Apple and Android). AirBox converts the USB feed into a WiFi hot spot enabling functions utilizing the appropriate App to see live images, capture pictures and record videos.

Apple products (i.e. iPhone and iPad) *require* the wireless converter, P/N VA-B2, for viewing and data capture. Android users have the option of connecting directly to the borescope (via USB cable), or by use of the wireless converter.

Each borescope includes an OTG cable adapter, small sleeve changing tool for changing out the silicone sleeves, extra silicone replacement sleeves, case and instruction manual.

P/N	Probe Type	Probe Diameter	Probe Length	Weight	Focal Distance	Resolution	Optical View Lens Angle	USB Cable Length	Compatibility
VA-400	Rigid	8.5mm	42cm (16.5")	12 oz	4cm - 40cm fixed focus	640X480 pixels	60°	200cm	Windows 10/8/7/Vista/XP, Mac OS X with FaceTime software or Android OS 4.1.2 or higher with USB host function (iPhone and iPad when used with VA-B2 converter).
VA-800	Flexible		80cm (31.5")		3cm - 40cm fixed focus				
VA-980	Semi-Rigid								
D3160	Flexible	5.9mm	1 mm (39.3")		180°				
D3145	Flexible	4.5mm	1 mm (39.3")		180°				
ME-610	Flexible	6.0mm	1 mm (39.3")		960X720	360°	Rechargeable lithium battery	Automotive inspection camera, all way articulation controlled by joystick. Takes pictures and records video.	

Notes:
 Add "KIT" to part number to purchase borescope and VA-B2 converter together, example: VA-400 KIT.

Vividia AbleScope VA-400 Borescope

P/N VA-400

Rigid (fixed steel probe)
 Suitable when you have a direct line to your subject.
 Convenient for one hand operation.



Vividia AbleScope VA-800 Borescope

P/N VA-800

Non-Formable - perfect for snaking the scope into a narrow space.
 Can be rotated by twisting the probe to change the orientation of the camera.



Vividia AbleScope VA-980 Borescope

P/N VA-980

Semi-Rigid Flexible, but stays where you put it.
 Ideal for general aviation professionals!!!

WiFi AirBox Converter

P/N VA-B2

View your Vividia USB borescope wirelessly. The USB cord from your borescope plugs into this small box which acts like a WiFi hotspot.

Connect your phone or tablet to the hotspot to view live feed from the borescope and capture photos and videos. Compatible apps are available for download.



Flap Track Wear Gauge for Cessna Aircraft

P/N 950

Use to determine if a Cessna flap track is worn beyond service limits.

Instructions

Run the gauge plug along each slot in each flap track while verifying that the gauge will not enter the slot. Reposition the flaps as required to gauge the entire length of each slot. If the gauge enters a slot at any point, the track is worn beyond service limits. Periodically verify the gauge diameter by measuring the gauge diameter with a calibrated micrometer.

This gauge will work for all single engine Cessna aircraft except 140A, 170A and 195



Flap Roller Installation Tool

P/N 970

- Makes installation of the aft flap roller, bushing and washers easy
- Long handle allows access through the small inspection openings
- Holds parts in alignment while inserting the bolt
- Use on Cessna 150 thru 337



Elevator and Rudder Bearing Installation Tool for Cessna Aircraft

Makes pressing bearings in or out easy!

P/N 990

This unique tool is specifically designed to prevent damage when installing and removing **sintered bronze** rudder and elevator hinge bearings contained in kits EBC-KT-1 thru 5 and RBC-KT-1 thru 8.

- Eight piece kit for all sizes of sleeve bearings
- Heat treated stainless steel will last a lifetime
- Comes in a convenient storage pouch



Cowl Saver™ Scoring Tool

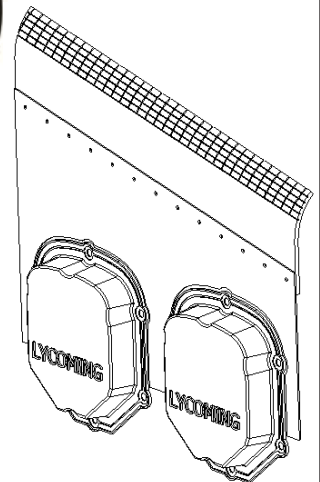
Customize Your Baffle Seal Flexibility for Optimal Cooling!

P/N TOOL120

Customize Cowl Saver™ engine baffle seal material to be extremely flexible for a perfect seal where it contacts the cowl and rigid elsewhere to prevent the seal from blowing past the cowl contact line.

This unique tool has 3 circular razor blades spaced 0.16" apart and makes it fast and easy to score the stiffer outer layer of the Cowl Saver™ material where more flexibility is required. The spacers also precisely control the depth of the cuts to help prevent damage to the material.

- You control the amount of flexibility
- Use during a new baffle seal installation or to perfect the fit and seal of an existing installation
- Material still meets the original AMS3306 specification to which it was certified as long as the fiberglass reinforcing layer hasn't been cut.
- Replacement blade kit also available (P/N TOOL120-BKT)
- See page 75 for more details



Only for use on the Teflon side of Cowl Saver™ baffle seal material.

PROP GUARD Installation Tool

Saves time and makes installation easier!

P/N TOOL125

This rubber coated roller makes working air bubbles out during installation easier than using the spatula included with the PROP GUARD kits. The rubber conforms to the shape of the propeller, and the rolling action allows you to press harder to eliminate small air bubbles. It is recommended for customers who may be installing more than one PROP GUARD or those who just want to make the job faster and easier.



McFarlane Aircraft Tire Balancers

Tire balance is important.

Now it's fast, accurate and affordable!

Aircraft tires spin 1.6 times faster than car tires. Out-of-balance tires cause a long list of maintenance problems:

- Uneven tire wear
- Premature bearing wear
- Shimmy and resulting torque link damage
- Destructive and distracting airframe vibration

McFarlane's tire balancer is a suspension tire balancer with a patented design featuring a pivot point that is easily adjustable on-the-fly for maximum balance sensitivity. It is small enough to fit in a tool box and doesn't require a bulky stand. The McFarlane design is more precise than other static balancing methods, and allows the wheel and tire to be balanced with the bearings and seals installed.

It's fast and easy. Due to the horizontal balancing orientation, test weights can be temporarily set in place and easily adjusted while balancing. This eliminates the need to tape the test weights. The McFarlane tire balancers are precision machined with a black, hard anodized finish, and comes in an oiled wooden case. This is a **lifetime tool** that fits almost all light aircraft wheel/tire assemblies.

- On-the-fly adjustable pivot point for maximum sensitivity (U.S. Patent No. US 9,032,793 B1)
- Portable – small enough to fit in your toolbox
- Does not require removal of bearings or seals
- Complete instructions included
- Multiple models and add-on bushing kits to accommodate 3/4", 1", 1 1/4", 1 1/8", 1 3/8" and 2" axles
- Conveniently packaged in a durable wooden box



**New and Improved
More Axle Sizes!**



*Costs less and more accurate
than axle style balancers.*
**Now available to accommodate
standard and taper axle sizes
ranging from 3/4" to 2".**



P/N TOOL129 LA-KT



P/N TOOL129

Part Number	Description
TOOL128	Tire balancer for 3/4" diameter axles (common on experimental aircraft)
TOOL129 (Supersedes TOOL108)	Tire balancer for 1", 1 1/4", and 1 1/2" axles, including Cessna 300 and 400 Series tapered axles with 1 1/2" and 1" bearing bores.
TOOL129 LA-KT	Large Axle Bushing Kit for 1 3/8" and 2" axles (compatible with TOOL129 only)
TOOL108 LA-KT	Large Axle Bushing Kit for 1 3/8" and 2" axles (compatible with TOOL108 only)

McFarlane Aircraft Propeller Balancing Bushing Kit

Fine tune propeller balance with this accurate and easy to use bushing kit!

An out of balance propeller can lead to harmful vibrations and costly aircraft maintenance.

Costly issues that may arise from an out of balance propeller include:

- Excessive load on crankshaft bearings
- Cracking of propeller and spinner bulkheads
- Engine mount wear and deterioration
- Distracting airframe vibration

P/Ns:

TOOL129 P1-KT (Compatible with TOOL129 Only)

TOOL108 P1-KT (Compatible with TOOL108 Only)



P/N TOOL129 with TOOL129 P1-KT

The McFarlane Propeller Balancing Bushing Kits are add-ons for either P/N TOOL129 or P/N TOOL108 tire balancers. These bushing kits make it possible to check the static balance of a propeller quickly and accurately.

- More accurate than knife edge and mandrel methods
- Allows for a quick check after minor repairs
- Durable wooden storage box
- Works with nearly all fixed pitch propellers
- Includes one 2 1/4" diameter bushing for SAE standard crankshaft bores, two cone bushings for the other side of the hub for bores ranging from 2 1/4" to 5 1/8" diameter and complete instructions **1**

1 Instructions cover the use of the tool for checking balance. Propeller manufacturer and FAA guidance must be used when changing the balance of a propeller; some manufacturers require the use of an authorized propeller repair station.

Part Number	Description
TOOL129 P1-KT	Propeller balancing bushing kit (compatible with TOOL129 only)
TOOL108 P1-KT	Propeller balancing bushing kit (compatible with TOOL108 only)

Adjustable Elevator Neutral Rigging Tool for Cessna Aircraft

Save time, you'll always have the correct tool!

P/N TOOL126

Proper elevator rigging is necessary for full range of motion and maneuverability of the airplane. Many Cessna maintenance manuals require the fabrication of a tool to hold the yoke in the neutral position while the mechanic rigs the elevator control system. These tools utilize the holes for the control gust lock. At least 17 different sizes of rigging tools are required to cover the various Cessna aircraft. Now there is one tool to replace them all.

The McFarlane Elevator Neutral Rigging Tool is adjustable from 0.4" to 2.5" and universal in design, consisting of six different pin sizes to fit your application. This tool may also be used to properly rig other makes of aircraft with similar elevator neutral rigging requirements.

Features and Benefits

- Replaces 17 costly tools
- Quick setup and adjustment
- Simple to use instructions
- Includes compact storage box
- Replacement parts available separately
- Stainless steel components

Note:

Refer to your Cessna maintenance manual to determine if your model requires the use of the elevator neutral rigging tool and follow its guidelines for proper pin selection and adjustment guidelines.

Elevator Neutral Rigging Tool Replacement Parts	
Part Number	Description
6409	.050"/1.3mm Hex Wrench
6870	Nut
6868-4	Pin, .188, Short
6868-3	Pin, .188, Long
6868-1	Pin, .209, Short
6868-2	Pin, .209, Long
6869-1	Pin, .250, Short
6869-2	Pin, .250, Long

**Fits most Cessna
150 thru 425 aircraft!**



Interesting History

Early Cessna aircraft control gust lock holes were aligned with the elevator in the neutral position. This hole placement created safety concerns after Cessna realized that it would be possible for a pilot to take off with the control lock in place, but the lack of control function would not allow for a safe climb rate. Cessna remedied this safety hazard, beginning in the late 1960's, by moving the hole on the control column closer to the yoke. This change prevents flight.

With the hole placement moved, new tools were required to be fabricated to align the elevator in the neutral position during rigging.

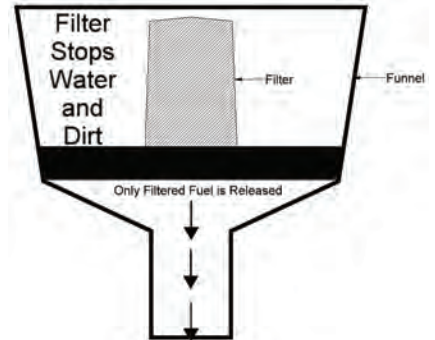


Mr. Funnel

P/Ns F1C, F3C and F8C

Fuel filter funnel stops water and dirt. The Teflon coated stainless steel filter is so fine that water cannot get past it! Works with all aviation fuels, gasoline, diesel and kerosene.

- Tested and proven in rugged Arctic environment
- Expected 10 year life
- Fast flow rates
- Self cleaning lifetime filter
- Filter stops water and dirt
- Conductive plastic



Part Number	Size	GPM
F1C	6" X 3.5"	2.7 Gallons per minute
F3C	8.75" X 5.5"	3.5 Gallons per minute
F8C	10" X 8.5"	5.0 Gallons per minute

Manufactured by Hopkins Manufacturing Corp.

Buss Fuses

Hard to find 9/32" OD

4AG/AGS/ABS Series

The 4AG series fuses are commonly specified in older aircraft. About 30 years ago Buss superseded them to the obsolete AGS series fuses. Even this newer series, is now leaving many aircraft owners struggling to find replacements.

The AGS fuses are now being replaced by ceramic ABS series of fuses that have the same electrical and thermal performance. McFarlane now has all three series (4AG, AGS, ABS) with a mix of new and new surplus fuses in stock.

Note: AGC series auto fuses are smaller (1/4" OD) and have different thermal properties than the 4AG/AGS/ABS fuses.

- Glass or ceramic tube, 9/32" X 1-1/4"
- P/Ns 4AG-#, AGS-#, or ABS-# Where # indicates current rating in Amps (1 to 40 Amps)
- Sold in packs of 5 each



Oxygen Service Port for Kodiak

P/N QX-100

Located on the left side of the fuselage to service the oxygen system from outside of the aircraft, as opposed to removing the aft bulkhead in the cabin.

- Easier access to oxygen system

Manufactured by AeroTwin



Exhaust Valve Guide *Cleaning* Reamers for Continental and Lycoming Engines

U. S. Patent No. 9,878,354

Why McFarlane Special Reamers?

Now offering special valve guide reamers sized specifically for cleaning Continental and Lycoming exhaust valve guides. Standard valve guide reamers are designed to perfect the guide hole size when reaming new guides. The standard reamer pilot is sized to fit the small bore of a new unfinished guide to insure stability and a straight finished bore. When this same type of reamer is used to clean the valve guides, the pilot is smaller than the finished hole. This causes the reamer to wander and misalign while it is being started and turned in the guide hole.

The McFarlane cleaning reamers have a pilot the same size as the valve stem. This properly sized pilot forces the reamer cutter to start straight and follow the correct valve stem path through the guide hole. **Finally, a tool that is designed for the job!**

While using standard reamers to clean valve guides, you probably have noticed that you have some valve guide metal in the reamer flutes afterwards. This metal is cut from the sides of the guide when hard carbon deposits displace the unguided reamer from the original guide hole, or the reamer was not started in alignment with the guide hole. Wavy or gouged guide holes cause premature carbon buildup, poor heat transfer, and early guide hole wear. Prevent damage to your valve guides by using McFarlane Cleaning Reamers!

Features and Benefits

- Discounted pricing for complete set
- Spiral flutes for a better guide finish
- Pilot sized specifically for cleaning
- Cleans guides without notching guide surfaces
- Constructed of precision ground, high speed tool steel



Scan the code to watch our product tutorial!



<https://youtu.be/GYs2IIyP-DM>

Note: Reference Lycoming Service Instruction 1425A, SSP-1776 and SSP-578 and the appropriate overhaul manual or the appropriate Continental overhaul manual (Note: There are errors in some of the Continental service bulletins regarding reamer sizes.) to determine which specific valve guide sizes you have and the required reamer size before purchasing the necessary cleaning reamer. Lycoming Mandatory Service Bulletin No. 388C requires exhaust valve guide cleaning every 300 hours for helicopter engines and every 400 hours for all other engines. McFarlane valve guide reamers are for cleaning carbon build-up only and must not be used for finish reaming of new valve guides.

Continental Cleaning Reamers		
Part Number	Finished Ream Diameter (Corresponds to valve guide ID)	Pilot Diameter (Corresponds to valve stem diameter)
VGR-CN-KT	Contains one of each sized reamer	
VGR-CN1	0.3750 - 0.3758	0.3715 - 0.3725
VGR-CN2	0.4350 - 0.4362	0.4310 - 0.4320
VGR-CN3	0.4365 - 0.4375	0.4320 - 0.4330
VGR-CN4	0.4370 - 0.4378	0.4325 - 0.4335
VGR-CN5	0.4375 - 0.4385	0.4330 - 0.4340
VGR-CN6	0.3427 - 0.3435	0.3390 - 0.3400
Lycoming Cleaning Reamers		
Part Number	Finished Ream Diameter (Corresponds to valve guide ID)	Pilot Diameter (Corresponds to valve stem diameter)
VGR-LC-KT	Contains one of each sized reamer	
VGR-LC1	0.404-0.405	0.4012-0.402
VGR-LC2	0.437-0.438	0.432-0.4333
VGR-LC3	0.4985-0.4995	0.4935-0.4945
VGR-LC4	0.4995-0.5005	0.4957-0.4965



Maintenance Tip:
Lycoming suggests using ordinary cup grease on the flutes of the reamer to remove deposits with the reamer rather than allowing the deposits to fall into the cylinder.

Photo courtesy of Jose Oliveros

Pin Punch Set with Replaceable Tips

Save money on repetitive tool replacement!

P/N TOOL127

How many times have you reached into your toolbox for a pin punch only to find the tip bent or broken from the last job? The McFarlane pin punches feature economical replaceable tips. Spare tips are even included with every set. Simply replace the tip as necessary.

No more wasted money on fragile pin punches!

Superior Material for Longer Tip Life

Traditional pin punches easily bend or distort. McFarlane has solved this problem by using work hardened extra tough steel. McFarlane work hardened punches provide you with superior driving ability.

Features and Benefits

- Convenient shadowed case
- Economical replacement tips in three different lengths
- Shock absorbing grip - stops "finger sting"
- Hardened tool steel handle
- Work hardened extra tough steel tips



Scan the code to watch our product tutorial!



https://youtu.be/G71FIL1k_pI

Pin Punch Set Contents

This convenient set includes three common pin punch sizes: 1/16", 3/32", and 1/8". Two long, four medium, and two short tips are included for each size. You can use a short stable tip to start driving the pin out and then change to a longer tip when you need more length to finish the job.

CAUTION: Always wear eye protection when using punches. Do not reuse broken punch tips.

Replacement Tips		
P/N	Description	Package Qty
704KT	Punch Assortment, 1/16"	2 short, 4 med., 2 long
704LR	Punch Refill, Long, 1/16"	5
704MR	Punch Refill, Med, 1/16"	5
704SR	Punch Refill, Short, 1/16"	5
706KT	Punch Assortment, 3/32"	2 short, 4 med., 2 long
706LR	Punch Refill, Long, 3/32"	5
706MR	Punch Refill, Med, 3/32"	5
706SR	Punch Refill, Short, 3/32"	5
707KT	Punch Assortment, 1/8"	2 short, 4 med., 2 long
707LR	Punch Refill, Long, 1/8"	5
707MR	Punch Refill, Med, 1/8"	5
707SR	Punch Refill, Short, 1/8"	5

FAA-PMA Approved

Tools and Miscellaneous

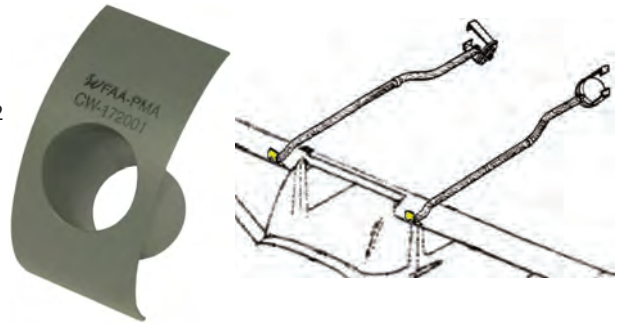
Vent Tube Adapter for Cessna Aircraft

Improved vent tube adapter restores rear seat airflow
P/N CW-172001

- Improved! Aluminum won't crack like the cheap OEM plastic adapters
- Direct replacement for Cessna P/Ns 0501030-2, 0700325-1 and 0700325-2
- Limited lifetime warranty
- Save over 50%
- Two required per aircraft
- Includes installation instructions

Model
172, 172A,B,C,D,E,F,G,H,J,K,L,M,N,P,Q
172RG, FR172E,F,G,H,J,K
175A,B,C
180, 180A,B,C,D,E,G,H,J
182, 182A,E
185, 185A,B,C,D,E, A185E,F
210-5 (205)
210B,C,D,E

Manufactured by Wingate Aero & Fabrication LLC



Placards

Commonly replaced placards available!
Each placard measures 3 1/2" X 1 1/4"

Manufactured by J&M Aircraft



Part Number	Description
JM-005	No Step
JM-006	No Push
JM-007	No Lift
JM-008	Lift Here
JM-012	80-87
JM-013	100/130
JM-014	Auto Fuel
JM-015	No Smoking
JM-016	External Power 12 Vol
JM-017	External Power 24 Vol
JM-018	Aux Tank
JM-019	Zero Fuel Weight
JM-020	Maximum Baggage Weight
JM-021	Jet Fuel Only
JM-022	Avgas Only
JM-023	Fasten Seat Belt
JM-028	Door Warning
JM-100	100LL

Tempest Oil Filters

- P/N AA48103-2
- P/N AA48104
- P/N AA48108-2
- P/N AA48109
- P/N AA48110-2



Champion Oil Filters

- P/N CFO-100-1 (kit)
- P/N CH48104-1 (oil filter only)

AeroShell Oil

- Straight Grade
- Single Grade
- Single Grade Plus
- Multigrade
- Multigrade Sport Plus



Phillips Oil

- P/N PHILLIPS XC 20W50

Compression Tester Extension

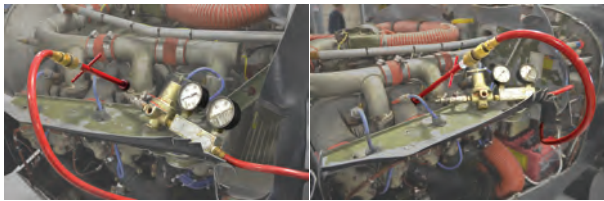
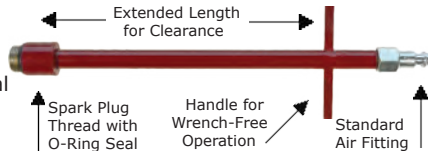
P/Ns:

EXTENSION CT1 (18mm thread)

EXTENSION CT12 (12mm thread)

EXTENSION CT14 (14mm thread)

- Wrench-free compression testing
- Quality welded construction, o-ring seal
- Allows for exhaust system and baffling clearance
- Makes compression testing easier
- Save time and \$\$\$



Manufactured by Baines Specialites LLC

Pitot Heater Elements

Fits Piper PA-28-151 and PA-28-161 aircraft

- Each pitot tube requires two heaters
- Diameter of each part number is 3/16"



Manufactured by PMA Products Inc

Part Number	Aircraft	Serial Number	Voltage	Power	Length ²
CA464-356	PA-28-151	All	14V	70 watts	3.25"
CA464-356	PA-28-161	2816001 thru 28-8216059	14V	70 watts	3.25"
CA464-357	PA-28-151	All	14V	100 watts	4.25"
CA464-357	PA-28-161	2816001 thru 28-8216059	14V	100 watts	4.25"
CA464-440	PA-28-161	All	28V	100 watts	4.25"
CA464-441	PA-28-161	All	28V	70 watts	3.25"

¹ P/N CA464-357 and CA464-440 are installed at an angle within the pitot tube.
² Length is approximate

Nylon Washers

- Protects the aluminum surfaces under cowl, spinners and fairing screws!
- High quality industry standard washers
- These will not deform like soft washers
- Sold in convenient 100 packs!

P/Ns:

- NAS1515H04L
- NAS1515H06L
- NAS1515H08L
- NAS1515H3
- NAS1515H4



Standard Hardware

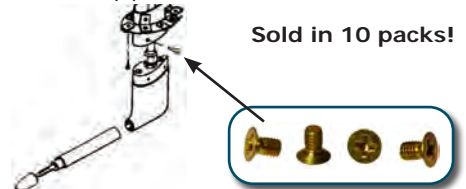
AN, MS and NAS series. Please call or view online.



Pitot Tube Screws

P/N MS24693S224

- Replaces special extra fine thread AN507-640R4 screws
- Used on many pitot tube assemblies



Sold in 10 packs!

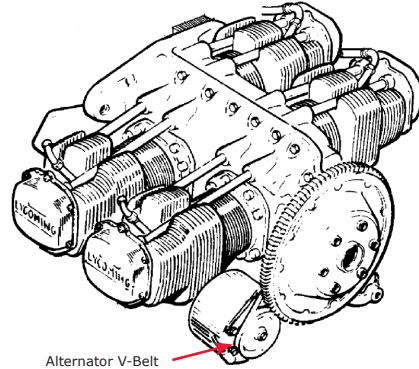
V-Belts for Piper Aircraft

Finally an approved belt at an affordable price!

- FAA-PMA Approved for specific aircraft
- High quality manufacture
- Direct replacements
- Drastically reduced price!

NEW

Tools and Miscellaneous



Alternator V-Belt

Save \$\$\$

Model	Serial Number	Location	Alternator Assy	OD	Width	Part Number
PA-28-140	28-7125472 thru 28-7725290 and 28-250001	Alternator	Prestolite ALY-6422	40.55"	0.28"	MC73965-009
		A/C Compressor		40.55"	0.44"	MC73965-010
PA-28-151	All	Engine, Alternator Drive	Chrysler	33.00"	0.47"	MC73965-015
		Engine, Alternator Drive		33.00"	0.47"	MC73965-015
PA-28-161	28-7716001 thru 28-7816000 28-7816001 thru 28-8616057 2816001 thru 2816119	Alternator	Prestolite ALY-6422	40.55"	0.28"	MC73965-009
		A/C Compressor		40.55"	0.44"	MC73965-010
		Engine, Alternator Drive	Chrysler	33.00"	0.47"	MC73965-015
PA-28-180	28-7205092 thru 28-7505260 and 28-5663 2843001 thru 2843999	Alternator	Prestolite ALY-6422	40.55"	0.28"	MC73965-009
		A/C Compressor		40.55"	0.44"	MC73965-010
		A/C Compressor		40.55"	0.44"	MC73965-010
PA-28-181	2890001 thru 2890231 28-7690001 thru 28-8690062	Alternator	Kelly Aerospace AL Y6522	40.55"	0.28"	MC73965-009
		A/C Compressor		40.55"	0.44"	MC73965-010
		Alternator	680-500 (ES4032), 02591-002 (Lycoming)	42.08"	0.41"	MC73965-020
		Engine, Alternator Drive	Chrysler	33.00"	0.47"	MC73965-015
PA-28-236	2811001 thru 2811050	Alternator	Prestolite 99891-000	40.55"	0.28"	MC73965-009
		A/C Compressor		40.55"	0.44"	MC73965-010
	28-7911001 thru 28-8611008	Alternator	Prestolite 99891-000	40.55"	0.28"	MC73965-009
		A/C Compressor		40.55"	0.44"	MC73965-010
PA-28R-200	28R-7235001 thru 28R-7635545	Engine, Alternator Drive	Chrysler	33.00"	0.47"	MC73965-015
		Alternator	Prestolite ALY-6422	40.55"	0.28"	MC73965-009
PA-28R-201	2837001 thru 2837061 28R-7737002 thru 28R-7837317 2844001 thru 2844999	A/C Compressor		40.55"	0.44"	MC73965-010
		Alternator	Prestolite 99891-000, Prestolite ALY-6422	40.55"	0.28"	MC73965-009
		Engine, Alternator Drive	Chrysler	33.00"	0.47"	MC73965-015
PA-28R-201T	2803001 thru 2803012 28R-7703001 thru 28R-7803373	Alternator	Prestolite 99891-000, Prestolite ALY-6422	40.55"	0.28"	MC73965-009
		A/C Compressor		40.55"	0.44"	MC73965-010
PA-28RT-201	2831001 thru 2831038 28R-7931001 thru 28R-8631005	Engine, Alternator Drive	Chrysler	33.00"	0.47"	MC73965-015
		Alternator	Prestolite ALY-6422	40.55"	0.28"	MC73965-009
PA-32-300	32-7240056 thru 32-7940290, 32-40853	Engine, Alternator Drive	Chrysler	33.00"	0.47"	MC73965-015
		Alternator	Prestolite ALY-6422	40.55"	0.28"	MC73965-009
PA-32-301	3206001 thru 3206060 32-8006002 thru 32-8606023	A/C Compressor		40.55"	0.44"	MC73965-010
		Alternator	Prestolite ALY-6421	37.50"	0.38"	MC73965-003
PA-32-301T	32-8024001 thru 8424002	Alternator	Prestolite ALY-6422	40.55"	0.28"	MC73965-009
		Alternator	60 A Prestolite or 90 A Ford	37.50"	0.38"	MC73965-003
		A/C Compressor		40.55"	0.44"	MC73965-010
PA-32R-300	32R-7680001 thru 32R-7880068	Alternator	Prestolite ALY-6422	40.55"	0.28"	MC73965-009
		A/C Compressor		40.55"	0.44"	MC73965-010
PA-32R-301	3213001 thru 3213103 32R-8013001 thru 32R-8613006 3246001 thru 3246087	Alternator	Prestolite ALY-6421	37.50"	0.38"	MC73965-003
		Alternator	Prestolite 99891-000	40.55"	0.28"	MC73965-009
		A/C Compressor		40.55"	0.44"	MC73965-010
PA-32R-301T	3229001 thru 3229003 32R-8029001 thru 32R8629008	Alternator	87415-05 (Ford 90 amp, 690-019)	39.09"	0.41"	MC73965-016
		Alternator	Prestolite ALY-6422	40.55"	0.28"	MC73965-009
		A/C Compressor		40.55"	0.44"	MC73965-010
PA-32RT-300	32R-7885002 thru 32R-7985106	Alternator	87415-03 (Ford 90 amp)	39.09"	0.41"	MC73965-016
		Alternator	Prestolite ALY-6421	40.55"	0.28"	MC73965-009
PA-32RT-300T	32R-7787001 thru 32R-7987126	A/C Compressor		40.55"	0.44"	MC73965-010
		Engine, Alternator Drive	Chrysler	33.00"	0.47"	MC73965-015
		Alternator	Prestolite ALY-6422	40.55"	0.28"	MC73965-009
PA-34-200	34-7250001 thru 34-7450220 44-7995001 thru 44-8195026 and 4495001	A/C Compressor		40.55"	0.44"	MC73965-010
		Alternator	Prestolite ALY-6421	37.50"	0.38"	MC73965-003
PA-44-180	44-817001 thru 44-8207020	Alternator	Prestolite ALY-6421, ALX 84 21 LS	37.50"	0.38"	MC73965-003
		Alternator	Prestolite ALY-6421, ALX 84 21 LS	37.50"	0.38"	MC73965-003
PA-46-310P	4608001 thru 4608140 46-8408001 thru 46-8608067	Alternator	690-040 (Electrosystems ES4005-2)	35.00"	0.38"	MC73965-011
		Alternator	690-040 (Electrosystems ES4005-2)	35.00"	0.38"	MC73965-011
PA-46-350P (w/o G1000)	4622001 thru 4622200	Alternator	602-300 (ES-4019-1)	22.08"	0.41"	MC73965-023
PA-46-500TP (w/ G1000)	4697002 thru 4697999	Alternator	602-300 (ES-4019-1)	22.08"	0.41"	MC73965-023
PA-46-500TP (w/o G1000)	4697001 thru 4697398	Alternator	602-300 (ES-4019-1)	22.08"	0.41"	MC73965-023

FAA-PMA Approved

Tools and Miscellaneous

V-Belts for Cessna Aircraft

Replace your old cracked belt today!

- FAA-PMA Approved for specific aircraft at a lower price!
- Save with our realistic prices
- Constructed for increased abrasion resistance and tension load carrying
- Each lot tested for strength and stretch



Aircraft	Serial Number	P/N	Notes
152 1	15279406 thru 15285940	MCS1597-1-37.5 3	
A152 1	A1520735 thru A1521028	MCS1597-1-37.5 3	
F152 1	F15201429 thru F15201952	MCS1597-1-37.5 3	
FA152 1	FA1520337 thru FA1520387	MCS1597-1-37.5 3	
172I,J,K,L,M,N,P,Q	All	MCS1597-1-37.5 3	
172RG 1	172RG0001 thru 172RG1178	MCS1597-1-37.5 3	
F172L,M,N,P	All	MCS1597-1-37.5 3	
177, 177A,B, 177RG, F177RG	All	MCS1597-1-37.5 3	
180F,G	All	MC539547-31.19 2	
180H	All	MCS2416-1-31.0 3	
180J,K 1	18052385 thru 18052981	MCS2416-1-31.0 3	Used with 60 Amp, 14 and 28 Volt Alternators
182G 1	18255101 thru 18255125	MCS2416-1-31.0 3	
182H,J,K,L,M,N,P,Q,R, F182P,Q	All	MCS2416-1-31.0 3	18262466 thru 18267715 and F18200026 thru F18200094 used with or without O-470-R, O-470-S Engines
FR182, R182, TR182 1	FR18200001 thru FR1820070 R18200001 thru R18202032	MCS1597-1-37.5 3	Used with O-540-J3C5D Engine
T182	All	MCS1597-1-37.5 3	Used with 60 Amp Alternator on Lycoming O-540L3C5D Engine
185, 185A,B,C	All	MCS1597-1-38.5 3	Used with 95 Amp Alternator on Lycoming O-540L3C5D Engine
185D,E, A185E,F	All	MC539547-31.19 2	
185D,E, A185E,F	All	MCS2416-1-31.0 3	18502311 thru 18503619 used with 60 Amp 14 and 28 Volt Alternators 18503260 thru 18504448 used with 60 Amp 28 Volt Alternator
188, A188,188A,B, A188A,B, T188C	All	MCS2416-1-31.0 3	188-0001 thru 188-0572 used with 60 Amp, 12, 14, and 28 Volt Alternators 188-0573 thru 18802348 used with 60 Amp, 14 and 28 Volt Alternators 18802349 thru 18803973, T18803325T thru T18803974T used with 60 Amp, 14 and 28 Volt Alternators, and 95 Amp, 128 Volt Alternator
TU206F,G, U206F,G	All	MCS2416-1-31.0 3	U20604469 thru U20605919 used with 60 Amp, 24 Volt Alternator U20605920 thru U20607020 used with 60 Amp, 24 Volt Alternator and 95 Amp Alternator
207, 207A, T207, T207A	All	MCS2416-1-31.0 3	
210E,F,G,H,J, T210F,G,H,J	All	MCS2416-1-31.0 3	
210K,L,M,N,R, T210K,L,M,N,R	All	MCS2416-1-31.0 3	21059200 thru 21064135 used with 60 Amp, 12 and 24 Volt Alternators 21064136 thru 21065009 for use with 60 Amp and 95 Amp Alternators
		MCN7365 3	21064536 thru 21064950 for use with Fwd Alternator of Dual Alternator Installation 21064898 thru 21065009 for use with Aft Alternator of Dual Alternator Installation
P210N	All	MCS2416-1-31.0 3	
P210R 1	P21000835 thru P21000867	MCN7365 3	P21000761 thru P21000834 for use with Fwd Alternator of Dual Alternator Installation For use with Fwd Alternator of Dual Alternator Installation

1 Partial model eligibility
2 Location of use is Generator
3 Location of use is Alternator

V-Belts for Lycoming and Continental Engines

Replace your old worn belt with a high-quality FAA-PMA approved McFarlane V-belt!

- FAA-PMA Approved for specific engine
- Each lot is tested for strength and stretch
- Constructed for increased abrasion resistance and tension load carrying
- Save \$\$\$



Part Number	Lycoming Engines	
MC37A19773-376	O-235-L2A, O-235-L2C	
	O-320-E2D	
	IO-360-L2A	
MCS1597-1-37.5	O-360-A1A, O-360-A1AD, O-360-A1D, O-360-A1F6, O-360-A1F6D, O-360-A1G6, O-360-A1LD	
	O-360-A2A, O-360-A2D, O-360-A2F, O-360-A2G	
	O-360-A3A, O-360-A3AD	
	O-360-A4A	
	O-360-A5AD	
	Continental Engines	
	MC539547-31.19	IO-470-C,D,E,F,G,H,J,K,L,N,P,R,S O-470-A,B,E,G,J,K,L,M,P,R,S IO-520-A,F

D A M™ Aircraft Pulley Oil

New name, same dependable oil!
Featuring a re-designed needle oiler.
Great for unreachable areas with traditional applicators.

- Does not dry out and get sticky
- Loosens old stiff pulley grease
- Save the labor of re-oiling the control system every year!

Scan the code to watch our product tutorial!



<https://youtu.be/iyAKHvstfQs>



Convenient Kits	
Qty	Description
P/N PULLEY OIL KT	
1	Pint, Pulley Oil
1	Needle Oiler with Extension, .34 fl oz (10mL)
P/N PULLEY OILER KT	
1	Needle Oiler with Extension, .34 fl oz (10mL)
P/N PULLEY OIL	
1	Pint, Pulley Oil

20" Extension
P/N 7249
now sold
separately!



Spark Plug Gasket

Best price \$\$\$
Quantity discounts!
P/N MS17840-1

18mm solid copper



KROIL and AEROKROIL Penetrating Oil

Manufactured by Kano Laboratories

Throw away your other penetrating oil! This stuff works!!

P/N AEROKROIL - 10 oz. aerosol can of kroil
P/N KROIL GAL - One gallon can

- Loosens frozen metal parts
- Creeps into openings as small as one millionth of an inch!
- KROIL will loosen the toughest stuck together or rusted metal parts.
- Use Kroil to loosen nuts, bolts, studs, screws, pulleys, shafts, bearings, pipe threads, valve guides, exhaust parts or any corroded metal parts.
- For industrial use only. KROIL and AEROKROIL meets and exceeds military specifications AA50493 and VV-P-216.

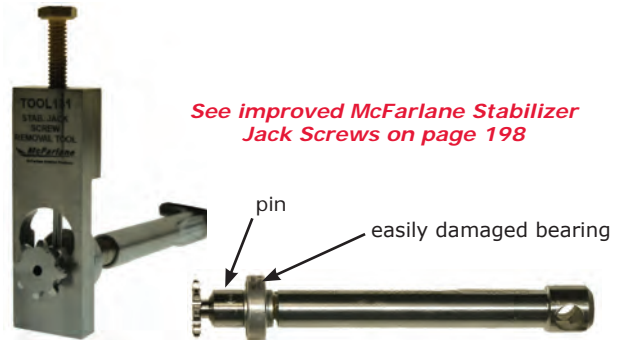
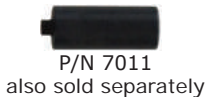


Stabilizer Jack Screw Pin Removal Tool for Cessna Aircraft

P/N TOOL131

- For Cessna 180/182/185 jack screws
- Easily and safely remove and install your roll pin with the turn of a wrench
- No more damaging your jack screw by using a punch and hammer
- Manufactured with hardened stainless steel for increased tool life
- Works only with the larger McFarlane pin sold with P/N 1111
- Includes adapter Barrel P/N 7011 for installation of new roll pin

See improved McFarlane Stabilizer Jack Screws on page 198



Vacuum Pump Wrench

Finally a vacuum pump wrench that can get into those really tight spots!

P/N TOOL133 (use for small pumps)
P/N TOOL133-L (use for large pumps)
A different wrench for the two sizes of pumps (one wrench can't do either pump well)

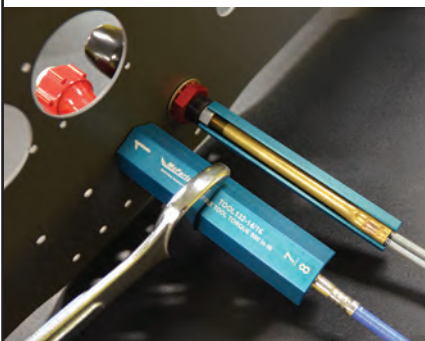
- Heat treated tool steel
- Precision made
- 1/4" square drive
- Black oxide finish
- Torque wrench friendly



Push-Pull Control Wrench Set

Install and remove push-pull control nuts behind the panel
P/N TOOL132

- Slot allows access to nut on installed control
- Wrench anywhere on the external hex
- 5 1/2" length reaches deep, hard to access nuts
- Lightweight aluminum is easy to handle when using overhead
- Works with all controls - six nut sizes: 1/2, 9/16, 11/16, 3/4, 7/8 and 1"
- Many other uses (brake/fuel/vent/hydraulic lines, etc)
- Includes case



Scan the code to watch our product tutorial!



<https://youtu.be/UrdtxhR7pb4>

Manufacturer Index

Acorn Welding.....	69
Aero Classics Oil Coolers.....	91-93
AeroLED.....	268-276
AeroShell.....	54,352
Aero Twin, Inc.....	327-339
Aircraft Development.....	277-301
Airforms.....	77-87
Airor Instruments.....	149-153
Ankra Seat Fittings.....	259-260
APS Aviation Products Systems.....	94-95,230-234
Baines Specialties LLC.....	93,350
CJ Aviation Fuel Pumps.....	147-148
CTAP.....	342
Curtis Superior Valves.....	129-132
F Atlee Dodge Products.....	319-326
Instrument Tech.....	136-138
Knots 2U.....	277-301
Middle Fork Mods.....	343
MT-Propeller.....	16
Oasis Scientific.....	347
Premier Aerospace Services and Technology.....	277-301
PMA Products, Inc.....	315-318
QMI, Inc.....	198-199
Royal Air Products.....	209
SAF-AIR, Drain Valves.....	129-132
Seginus Inc.....	261-262
Stene Aviation.....	277-301
Steve's Aircraft.....	126-128
Tempest.....	47
Texas Aeroplastics.....	277-301

Section Index

Introduction to Parts.....	2-15
MT-Propeller.....	16
Push-Pull Controls and Accessories.....	17-46
Firewall Forward.....	47-97
Exhaust System Components.....	98-121
Fuel System Parts.....	122-148
Instruments Probes and Leads.....	149-153
Flight Control System.....	154-199
Flight Control Surface and Attaching Hardware.....	200-209
Landing Gear and Nose Wheel Steering Parts.....	210-227
Brake and Wheel Parts.....	228-245
Seat Rails and Seat Parts.....	246-258
Cargo/Seat Track and Hardware.....	259-260
Door and Step Parts.....	261-267
Lighting.....	268-276
Exterior Plastic and Fiberglass Trim & Fairings.....	277-301
Interior Plastic Trim.....	302-314
Parts Manufactured by PMA Products, Inc.....	315-318
Parts for Bush Aircraft.....	319-326
Caravan 208 Parts.....	327-339
Tools and Miscellaneous.....	340-355

Product Index

ABS Plastic Parts.....	277-314
Actuator, Stabilizer Jack Screw Kit.....	198
Adapter	
CHT Bayonet.....	150-151
Lead Stagger.....	152
Oil Drain.....	94-95, 132, 331
Seat Spring.....	258
Vent Tube.....	352
Adel Clamps.....	96
Adhesive.....	72-72, 264
Adjust	
Spring, Seat, Piper.....	258
Arm, V-Belt, Piper.....	352
Adjustable Elevator Neutral Rigging Tool.....	178, 331, 350
AeroKroil.....	355
Ag-Cat Cables.....	154, 178
Aileron	
Bearings.....	318
Bushing, Cessna Bellcrank.....	144
Gap Kit.....	195
Hinges, Cessna.....	202, 209
Hinges, Piper.....	203
Rod Assembly.....	203
Skins, Cessna.....	200-201
Sprocket.....	197
Trim Cables.....	327
Trim Sprocket.....	327
Airstair Cables.....	262
Air Box, Carb Heat, Cessna.....	66, 69
Air Filter Dome, Piper.....	319
Air Scoop.....	278,283
ALCAL 2000+.....	148
Alcohol Pumps.....	139
Alt Air Controls, Piper.....	17, 26-34
Alternator	
Adjust Arm.....	325
Output Capacitor Assembly.....	317
V-Belt, Piper.....	90, 353
Anchor Quick Release, Brownline.....	142, 260

Anchor Plate, Brownline.....	259
Ankra Seat & Cargo Fittings.....	260, 334
Angle Replacement Kit, Tail Cone, Cessna.....	12, 199
Arm Rest.....	302-304
Articles	
Electricity in Fuel Tank.....	135
Hydraulic Shimmy Dampener.....	222
Nose Gear Shimmy.....	210, 337
Temperature Compensation.....	221
Torque Link Bushing Removal.....	218
Assist Strap.....	308-310
Attach Plate, Cowl, Piper.....	71
Avglas, Continental Carb Heat Air Box Repair Kits.....	70
Axle	
Cessna.....	213
Helio Courier Aircraft.....	213
Landing Gear.....	213
Shim, Landing Gear.....	324

B

Backup Ring.....	219-223, 245
Baffle	
Baffles and Kits.....	77-88
Intercylinder, Continental.....	88
Interior Plastic.....	302-314
Placard.....	352
Scoring Tool, Cowl Saver.....	75, 348
Seal Kits.....	74-75, 77-88
Seal Material.....	74-75
Oil Cooler.....	333

Baggage	
Compartment Panel.....	302-314
Door Latch.....	263
Door Lock Kit.....	263
Extension Kit.....	321, 335
Balancer	
Prop.....	349
Tire.....	211, 242, 333, 349
Barrel Stop Assembly.....	40-45
Battery	
Battery.....	321, 324, 326
Box.....	321,324
Box Cover.....	308-310
Racks.....	321

Bearing	
Aileron.....	318
Cones.....	224, 228-229, 334
Cups.....	224, 228-229, 334
Elevator/Rudder.....	208-209, 331, 348
Fuel Selector Valve, Cessna.....	140, 142-146
Hinge and Bellcrank.....	209
Housing, Carb Heat.....	66
Nose Gear Spring Fork Needle.....	334
Piper.....	318
Installation/Removal Tool.....	208-348
Shimmy Dampener.....	220-222
Tail Wheel Fork, Cessna.....	224
Wheel.....	223-224

Beechcraft	
Cable Stop.....	190
Door and Window Seals.....	264-265
Flight Control Cables.....	154, 185-190
Fuel Pumps.....	139-148
Main Strut Seal Kit.....	224
Nose Strut Seal Kit.....	224
Trim Parts.....	301
Bellanca Engine Control.....	17, 35
Bellcrank Bearing.....	209
Belt, V, Alternator.....	90, 353
Bi-Flex™, Cowl Saver™ Material.....	74-75
Bladder Tank Valves.....	129-131
Bleeder	
Brake Valves.....	243-244
Screw.....	243-244
Seat.....	243-244
Bolt Style Wire Clamps.....	18-22, 35
Bolt Eye Mooring.....	343

Boot	
Cowl Handle.....	263, 323
Cowl Step.....	263, 323
Mister Tool.....	331
Steering Rods.....	212
Trim Actuator.....	198
Boroscope	
Digital.....	347
Wifi Airbox Converter.....	347

Bracket	
Shoulder Harness Attach.....	322
Spar Reinforcing Strut.....	320
Brake	
Line Fairing Extrusion.....	341, 218
Master Cylinder Seal Kit.....	245, 333
Brake Parts.....	228-245
Bleed Valve Components.....	243-245, 333
Bleed Valve Kits.....	243-244
Cover Fairings.....	277-301
Discs and Pads.....	228-241, 333

Reinforcing Channel, Piper.....	322
Seal Kits.....	245, 333
Swivel.....	227
Brass Nose Gear Shims.....	214
Breather Tube.....	325

Brownline	
Anchor Plate.....	259
Cargo Tie Down Fittings.....	259
Chair Leg Stud Quick Release Anchor.....	259
Filler Strip.....	259
Rear Leg Seat Fittings.....	260
Seat Tracks.....	259
Single Stud Fitting.....	259
Bug Nuts, Piper.....	30-32
Bulkhead Assembly Fairings.....	296
Bulkhead Spinner.....	71, 316, 318
Bumper, Nose Gear Torque Link.....	316, 318
Bungee, Steering Cessna.....	213
Bush Aircraft.....	319-326

Bushing	
Aileron Bellcrank, Cessna.....	155-168, 194
Beechcraft.....	316
Cessna Seat.....	252
Cowl, Piper.....	71
Elevator/Rudder.....	208
Flap.....	205-207
Piper.....	71, 317-318
Piper Seat.....	257, 317
Buss Fuses.....	350

C

Cabane Vee.....	320
Cabin	
Door Cables.....	261-262
Door Hinge.....	266-267
Door Hinge Pin.....	266
Entry Step, Cessna.....	263, 325
Environment Controls, Piper.....	25, 28, 44
Heat Controls, Piper.....	18, 44
Heat Vents.....	335
Light.....	308-310

Cable	
Access Panel.....	303-304
Barrel Stops.....	42-45
Bulk.....	154-190
Fairing, Tailwheel Steering.....	157, 160-168, 286, 289
Fittings.....	194
Door.....	261-262
Engine/Cowl Flap/Carb Heat.....	18-24
Flight Control.....	155-192, 327
Starter Control.....	24
Stop.....	42, 45, 190

Cap	
Fuel, Cessna.....	140
Fuel, Piper.....	139, 317, 322
Capacitor Assembly, Alternator Output.....	317
Caravan	
208 Parts.....	327-339
Aileron Trim Sprocket.....	147, 327
Bolt Style Wire Clamps.....	35, 336
Brake Kits and Parts.....	241, 235, 333
Cabin Heat Vents.....	335
Cables (Flight Control).....	172, 327
Cables (Door).....	261, 335
Door Hinges.....	339
Exhaust Deflectors.....	98, 338
Exhaust Flange, Primary.....	98, 333

Flap	
Indicator.....	172,327-328
Indicator Cable.....	172, 327
Flap Rollers.....	205-207
Flap Tracks.....	204-328
Gravel Deflectors.....	226, 332
Lighting.....	268-276
Main Wheel Bolt STC.....	338
Nose Gear Shock Struts Cups and Cones.....	224, 334
Nose Gear Spring Fork Needle Bearing.....	224, 234
Nose Gear Torque Link Assembly.....	224, 234
Oil Cooler Baffles.....	333
Plug Set.....	328
PT6 Engine Parts.....	333
Rudder/Elevator Hinge Bearings.....	331
Spoiler Hinges.....	201, 337
Tail Tie Down Handle, Rear.....	334
Torque Link Assemblies.....	224, 334
Torque Link Repair Kit.....	225, 337
Crew Rails and Cargo Tracks.....	248, 339
Step and Passenger Door.....	261, 265, 335, 338
Wheel Seals.....	333

Carb Heat Box	
Assembly and Parts.....	69-70
Repair Kit (Continental).....	66
Repair Parts.....	66
Carbon Block.....	315
Carburetors.....	62

<p>Carburetor Heat Control Cessna.....18-23 Piper.....26-27, 44-45</p> <p>Cargo Baggage Compartment Door Latch263 Seat Tracks260 Tie Downs259-260, 257, 321, 334</p> <p>Center Air Duct302-314 Console302-314 Post302-314 Vent302-314</p> <p>Cessna Baffle Kits77-87 Cabin Controls25 Door and Window Seals.....264-265 Engine Controls.....17-23 Flight Control Cables154-178 Fuel Pumps.....139, 147-148 Fuel Valves.....142-148 Seat Rails.....246-248 Trim Parts304-307 Chains, Trim Control154-177 Chain Connecting Link.....154-177</p> <p>Chair Leg Stud Quick Release, Brownline259</p> <p>CHT Components and Kits148-152</p> <p>Cirrus Nose Gear Wheel Pant.....301</p> <p>Citation Main Gear Door Hinge Pin.....224 Seat Rails250</p> <p>Clamps17-21, 35, 45, 96, 336</p> <p>Clamps, Wire17-21</p> <p>Clamps, Conduit.....45, 96</p> <p>Cleaning Reamers.....97, 351</p> <p>Cleaner, Window D A M340</p> <p>Clevis Pin, Seat251</p> <p>Cluster Assembly296-314</p> <p>Cold Air Inlet Controls28</p> <p>Compression Tester Extension41, 93, 352</p> <p>Compass Housing Assembly308-310</p> <p>Compass Support308-310</p> <p>Conduit Clamps45, 96 Terminal42, 45</p> <p>Conical Wing Tips277-301</p> <p>Console302-314</p> <p>Console Cover302-314</p> <p>Console Overhead302-314</p> <p>Continental Carb Heat Air Box Repair Kits70 Exhaust Nuts, Studs.....98 Intake Heat Deflectors88 Intercylinder Baffles.....88 Valve Guide Cleaning Reamers97, 351 Continuous Loop Cables178</p> <p>Control Engine/Cowl Flap/Carb Heat17-23, 26-27 Knobs, Piper26-27, 29, 39, 44 Mixture17-23, 26-27, 43 Prop17-23, 26-27, 43 Push-to-Unlock17, 39, 45 Replacement Parts45 Rotax.....41-42, 45 Starter.....24 Surface Skins.....200 Throttle.....17-23, 26-27, 35, 41, 43 Turn-to-Lock.....40, 42, 45 Universal Light-Weight17, 40 Vernier-Assist17-23, 26-27 Wrench Set, Push-Pull355 Yoke Universal Joint, Cessna195 Yoke Universal Joint, Piper196</p> <p>Cooling Shroud Kits71</p> <p>Corrugated Skins200-201</p> <p>Cotter Keys/Pins.....126, 139, 191, 209, 217-218, 220, 251</p> <p>Cover Assembly302-314</p> <p>Cover Face302-314</p> <p>Cover Gasket, Fuel Qty Transmitter135-138</p> <p>Cover Post302-314</p> <p>Cover Switch, ELT302-314</p> <p>Cover, Quadrant.....332</p> <p>Cover Starter Solenoid302-314</p> <p>Cowl Attach Plates and Bushings, Piper71 Boot Doubler323 Boot Handle323 Boot Step323 Channels322 Fairings277-301 Flap Controls, Cessna.....17-23 Flap Hinges, Cessna.....97 Nose Caps277-287 Plug Set, Caravan.....380 Cowl Saver™74-75 Cowl Saver Scoring Tool75, 348</p> <p>Crew Door Panels334</p>	<p>Curtis Superior Valves129-130, 331</p> <p>Cup302-314</p> <p>Custom Engine Controls.....6-7, 17, 39-44 Flight Control Cables5, 7, 264 Door Cables.....5, 7, 248 Seat Rails.....5, 7, 248</p> <p>Cylinder Drain Back Tubes94-95</p> <p style="text-align: center;">D</p> <p>D A M Window Cleaner73, 340</p> <p>Dampener, Shimmy.....210-211, 220-222</p> <p>Defrost Controls, Piper17, 28</p> <p>De-Ice Valves.....55-61</p> <p>Dehavilland Parts316</p> <p>Diamond Fuel Pump147</p> <p>Diaphragm, Fuel.....96, 318, 336</p> <p>Door Cables261-262, 335 Cover Trim302-314 Hinges.....15, 226-267 Hinge Assembly.....226-267 Hinge Half.....226-267 Latch, Piper38, 263, 308-311 Lock Kit, Piper263 Oil Access.....97 Panels302-314 Pins224, 226-267 Post302-314 Seals264</p> <p>Dorsal Fairings277-301</p> <p>Doubler, Cessna Steering Rod Boot212</p> <p>Drain Back Tubes94-95 Back Cylinder Tubes.....94-95 Cover301 Valve Seal130</p> <p>Dry Air Pumps.....55-61</p> <p>Drill Bits196, 351</p> <p>Drill Fixture, Witness Hole.....196</p> <p>Dual Carb. Controls, Rotax Engines17, 41-45</p> <p>Dual Cowl Flap Control.....17, 24, 30-31, 36-37</p> <p>Duct, Center Air308-310</p> <p>Duct, Center Vent.....308-310</p> <p>Duct, Heat.....308-310</p> <p style="text-align: center;">E</p> <p>EGT Components and Kits.....148-153</p> <p>Elevator Bearing Tool208, 348 Bushings and Bearings208-209, 235-237 Neutral Rigging Tool178, 331, 350 Elevator Oversize Piper322 Skins, Cessna200-202 Tips277-301 Trim Shaft197 Trim Sprocket197</p> <p>ELT Cover Switch302-314</p> <p>Embraer Parts316</p> <p>Engine Baffles, Continental88 Baffle Kits75, 77-87 Baffle Seals and Material75 Heater SAFE-HEET72-73 Oil.....12, 54</p> <p>Engine Control Bellanca17, 35 Cessna17-24 Cover302-314 Grumman.....17, 35 Piper17, 26-29 Replacement Parts28-29 Instruments148-153 Mount Bonding Strap325 Mount Heat Shield325 Preheaters72-73</p> <p>Evaporator Filter302-314</p> <p>Exhaust D A M Exhaust Lube.....98, 340 Deflector Assembly88 Flange333 Mufflers.....99-121 Nuts, Continental and Lycoming.....98 Shroud.....319, 324-325 Studs, Continental and Lycoming.....98 Risers.....99-121 Valve Cleaning Reamers97, 251</p> <p>Extended Baggage Kit, Piper321</p> <p>Extension, Compression Tester41, 93, 352</p> <p>Exterior Parts277-301</p> <p>Extrusion, Seal218</p> <p>Extrusion, Seat Track173</p> <p>Eye Bolt, Tail Tie Down (Mooring)343</p> <p style="text-align: center;">F</p> <p>Fairings231-301</p> <p>Felt Wheel Seals228-229</p> <p>Fiberglass Parts277-301</p> <p>Fiberglass Fire Sleeve152</p>	<p>Filler Strip, Brownline259</p> <p>Filter, Fuel System124-125, 143-144</p> <p>Firewall322</p> <p>Fitting and Studs, Swivel30</p> <p>Flange71, 94, 302-314, 333</p> <p>Flange Bulkhead Interconnect309-310</p> <p>Flap Handle Cover302-314 Indicator Cables24, 172, 327-328 Roller Installation Tool207, 348 Roller Kits, Cessna204-207, 327 Roller Service Kit205-207 Skins, Cessna200-201 Stiffener202 Tracks204, 328 Track Wear Gauge204, 348 Trailing Edge Bulbs, Cessna202 Wear Buttons202</p> <p>Filtration.....51-59</p> <p>Filters, Pneumatic.....54</p> <p>Flight Control Cables Schweizer.....154, 178 Beechcraft154, 185-190 Cessna154-178, 327 Piper154-179, 184 Raytheon154, 185-190 Chains154-190</p> <p>Floar Fittings319</p> <p>Floor Trim296-298</p> <p>Flush Valve Fuel Plate130</p> <p>Forward Air Shield Cover302-314</p> <p>Forward Air Duct302-314</p> <p>Fresh Air Duct302-314</p> <p>Fuel Bowls124-125 Bowl Gaskets128, 140, 318 Caps, Cessna140 Cap Cover Door317-318 Caps, Piper317, 319, 322 Cap Gasket.....8140, 317 Cup130 Diaphragm96, 318, 336 Drain Hose132 Drain Valve, King Air124 Drain Valves129-130, 132 Filler Neck Gasket.....141 Filter Funnel332 Gascolator Assemblies126-127 Gasket and Filter Kit140 Injection/Hydraulic/Oxygen Line Union Cone97 Injection Servos.....62-63 Inlet Gaskets (Marvel Scheibler)139 Manifold Gasket96, 318, 336 Nozzle Gasket96, 336 Plunger124-125 Primer Seal Kit.....122 Pumps62, 139, 147-148 Quantity Transmitters, Cessna.....136-137 Quantity Transmitters, Piper136, 138 Quantity Transmitters, Maule136, 138 Quick Drain Hose and Valve132 Reservoir Drain Plunger123 Rod End Bearing.....696, 203, 236 Sample Cup130 Selector Cover302-314 Selector/Shut-Off Valve142-144 Selector/Shut-Off Valve Seal Kits.....142-144 Selector Valve Cam140 Selector Valve Repair Kits142-144 Sender.....136-138 Shut Off Controls.....25 Strainer Cover278 Strainer Drain Cable24, 124-125 Strainer Gasket124-125 Strainer Parts, Cessna124-125 Strainer Seals, Piper128 Sump Drain Cover301 System Parts122-148 System Parts Section122-148 Tank Adapter Gaskets141 Transfer Tube96, 318, 336 Valve, Cessna142-145 Valve, Piper139 Valve Installation Sockets132 Valve Replacement Seals130 Vent Lines122-123 Funnel350</p> <p>Fuses350</p> <p style="text-align: center;">G</p> <p>Gascolator Assemblies.....126-127</p> <p>Gaskets Airbox to Carb70 Carb to Engine70 Copper47 Engine to Exhaust70 Gascolator128</p>
---	--	--

Gaskets			
Fuel Manifold	96, 336, 318		
Fuel System	124-141		
Marvel Schebler	64-65, 139		
Oil Cooler	91-93		
Pratt & Whitney PT6	96		
Rocker Cover	94-95		
Spark Plug	47, 355		
Transmitters	136-138		
Valve Cover	94-95		
Gas Spring, Piper Seat	258		
Gauge, CHT, EGT, TIT	150-151		
Gauge, Seat Rail Wear	346		
Gear Switches, Piper	318		
Glove Box Cover	308-311		
Glove Box Door	302-311		
Ground Fault Circuit Interrupter (GFCI)	73		
Grumman Throttle Controls	35		
Guide Cleaning Reamers	97, 351		
H			
Hardware, Cable	194		
Handhold Grip	308-311		
Header Tank	322		
Heat, Intake Deflector, Cessna	88		
Heat Duct	308-311		
Heater Element, Pitot	318, 352		
Heater, Engine SAFE-HEET	72-73		
Heater, Rear Seat, Piper	321		
Helio Courier Aircraft Parts	213, 343		
Hinge			
Aileron, Cessna	202		
Aileron, Piper	203, 316-317		
Bearing	209, 316		
Bearing Kit, Rudder and Elevator	209, 331		
Bushing	208		
Cabin Door	266-267		
Cowl Flap, Cessna	97		
Door	266-267		
Door, Caravan	339		
Pin	266-267, 317		
Pin, Cabin Door	266-267		
Pin, Main Gear, Cessna	224		
Spoiler, Caravan	201, 337		
Stabilator Tab	317		
Stabilator Trim Tab, Piper	203, 317		
Horizontal Stabilizer Spacer	326		
Horizontal Stabilizer Tip	278		
Housing, Seat Roller	253-256		
I			
Installation Sockets	132		
Instrument Panel Cover	308-313		
Instruments, Probes and Leads Section	149-153		
Intake Heat Deflector, Cessna	88		
Intake Manifold Tubes	94-95		
Intercylinder Baffles, Continental	88		
Interior			
Door Panels	302-314		
Parts	302-314		
J			
Jack Screw			
Stabilizer Actuator Kit, Cessna	198		
Stabilizer Pin Tool	198, 355		
K			
Kick Panel	302-307		
King Air Fuel Drain Valve	123		
Knobs	29, 39, 44-46		
Knob Adapter (Throttle)	44-46		
Kroil	355		
L			
Lake Aircraft Fuel Pump	147		
Landing Gear	210-226		
Axle Shim	324		
Box Shims	225, 322		
Fairings	278-301		
Main Heavy Duty	277-301, 320, 322		
Nose Wheel Steering Parts	210-226		
Latch, Baggage Compartment Cargo Door	263		
Learjet Parts	342		
Lead, EGT/CHT/TIT	149-151		
LED Lights	268-276		
LED Wing Tips	276		
Lens Plate, Wing Tip	302-314		
Light-Weight Controls	40		
Light Shield, Wing Position	279-293		
Light, Strobe Mounting Bracket, Piper	322		
Lighting	268-276		
Lock Washer, Cessna Motor Mount Washer	88		
Locking Clips, Turnbuckle	194		
Lycoming			
Engine Oil Drain Down Tubes	94-95		
Exhaust Nuts, Studs	98		
Valve Guide Cleaning Reamers	97, 351		
M			
Main			
Gear Door Hinge Pin	224		
Gear Fairings	277-301		
Gear Mounting Plates	218		
Gear Shock Struts	320		
Landing Gear, Heavy Duty	320, 322		
Strut Seal Kit, Piper	223-224		
Wheel Fairings	277-301		
Manifold Fuel Gasket	96, 336		
Marvel Schebler	62		
Marvel Schebler Inlet Gaskets	139		
Master Cylinder Seal Kit, Cessna	245, 333		
Maule Fuel Pumps	146-147		
Miscellaneous	340-355		
Miscellaneous, Plastic Interior	302-314		
Mixture			
Controls	17-24, 26-27, 35, 43-44		
Vernier Assist	17-23, 43		
Molding	296-313		
Mooney			
Door and Window Seals	264-254		
Fuel Pump	147-148		
Mooring, Eye Bolt	343		
Motor Mount Bolt Lock Washer	88		
Mounting Plates, Main Gear	218		
Muffler			
Piper	99-115		
Shrouds	99-115		
N			
Nacelle Fairings	277-301		
Nav-Lights	268-276		
Navion Fuel Pump	147-148		
Needle Bearing, Nose Gear Spring Fork	334		
Nose			
Attach Lug and Bushing	315		
Baggage Cargo Door Latch	263		
Baggage Door Latch	263		
Caps	277-301		
Gear Drag Link	325		
Gear Inner Lower Strut Tube	318		
Gear Shimmy Article	210-211		
Gear Shims	214		
Gear Shock Strut Bearing Cups/Cones	228-229		
Gear Spring Fork Needle Bearing	334		
Gear Torque Link Assembly	334		
Gear Torque Link Repair Kit	214-218		
Strut Seal Kits, Cessna, Piper, Beech	219, 223-224		
Wheel Axle	213		
Wheel Fairings	277-301		
Wheel Steering Boots	212		
Wheel Steering Bungee	213		
Wheel Steering Rods	213		
Wheel Strut Fairings	277-301		
Nosecone Baggage Door Latch	263		
Nut, Fuel Strainer	124-125		
Nylon Washers	352		
O			
O-Rings	122-132, 139, 142-144, 219-220, 223		
Oil			
Access Door	97		
Aeroshell	54, 352		
Coolers	91-93		
Cooler Baffle	333		
Doors	97		
Drain Back Tubes	94-95		
Drain Valves	129-132		
Engine	54, 352		
Filter	47-53		
Filter Kit	47-53		
Penetrant	47-53		
Phillips	352		
Pulley Oil	192		
Overhauled			
Fuel Selector Valve	142-146		
Fuel Shut-Off Valve	142-146		
Overhaul Kit, Fuel Valves	142-146		
Oxygen Gauge	310-313		
Oxygen Line Union Cone	97		
P			
PT6 Parts	96, 336		
Panel Insert	302-314		
Panel Assembly	302-314		
Parking Brake			
Cables, Cessna	179-184		
Controls, Piper	17, 26-27		
Penetrant, Oil	355		
Pin, Drag Leg Hook	315		
Pin Punch Set	351		
Piper			
Adjust Spring, Seat	258		
Aileron Rod Assembly	203		
Air Filter Dome	319		
Adjust Arm, Alternator	325		
Attach Plates and Baggage Door Lock Kit	263		
Baffle Kits	78, 84-87		
Bushings	71		
Bug Nuts	30-32		
Bushing	71		
Cabin Controls	28		
Cable	179-184		
Cable, Door	61-262		
Controls	26-29		
Cowl Attach Plates & Bushings	71		
Door Latch	263		
Door Pin	263		
Door Seal	264-265		
Door Seals	264-265		
Drill Fixture	196		
Engine Controls	26-27		
Extended Baggage Kit	321		
Flight Control Cables	179-184		
Fuel Cap	317, 322		
Fuel Pump	139-317		
Fuel Selector Valve	139		
Fuel Quantity Transmitter	136, 138		
Fuel Strainer Seal	128		
Heater Elements, Pitot	352		
Heater, Rear Seat	321		
Hinge, Aileron	203		
Knobs	29		
Latch Kit, Door	263		
Lighting	268-272		
Lock Kit, Door	263		
Main & Nose Strut Seal Kits	223-224		
Muffler	110-114		
Piston, Shimmy Dampener	15		
Pitot	310, 318, 333, 352		
Rod End	38		
Seals, Door and Window	264-265		
Seat Rail	257		
Seat Rollers	257		
Stabilator Adjust Cable	178		
Strut Seal Kits	223-224		
Switch, Gear	318		
Swivel Fittings and Studs	30-32		
Torque Link Kits	217-218		
Trim Parts	295-301		
Trim Wheel Parts	197		
Tube Screws, Pitot	352		
V-Belt, Alternator	90, 353		
Universal Joint	196, 318		
Wheel Felts	15		
Placards	352		
Plastic			
Trim and Fairings	277-301		
Interior Parts	302-314		
Plate	277-301		
Plate Lens, Wing Tips	277-301		
Plunger, Fuel Strainer	124		
Pratt and Whitney Engine Parts	49, 318, 336		
Pre-Heat Shroud, Piper	319		
Primer, Seal Kit	122		
Probe, Adapter	148-153		
Probes, EGT/CHT/TIT	148-153		
PROP GUARD			
Anti-Abrasion Boot Kit	76		
Installation Tool	76, 348		
Prop Shaft Shim	96, 318		
Propeller			
Balancing Bushing Kit	349		
Controls	18-23, 26-27, 32-34		
Shaft Shim	96, 318		
Pulley			
Oil	192, 355		
Kits	191, 331		
Pulleys	191, 193, 331		
Pump, Dry Air	55-61		
Pump, Fuel	62, 139, 147-148, 317		
Pump, Vacuum Cooling Kit	71		
Push-Pull			
Controls	17-46		
Controls and Accessories Section	17-46		
Wrenches	355		
Push-to-Unlock Controls	25, 39		
Q			
Quasar			
Lighting	276		
Wing Tips	276, 279-294		
Quad Rings	224		
Quick			
Disconnect Adapters and Studs	260		
Drain Hoses	132		
Release Anchor	259		
R			
Radio Cooling Cover	308-310, 312		
Reamers	65, 97, 196, 225, 337, 351		
Rear			
Seat Crossbar, Piper	321		
Seat Heater, Piper	321		
Reel Cover Plate	303, 306		
Refueling Step	263, 320		
Removing Torque Link Bushings	218		
Replacement Parts, Controls	45-46		

<p>Retainer Plates 15, 96, 318 Strip, Baffle Seal 74-75 Wheel Seal 228-229</p> <p>Rigging Tool, Elevator Neutral 178, 331, 350</p> <p>Rivet Kit 74, 249</p> <p>Rocker, Cover Gasket 94-95</p> <p>Rod Ends 15, 35-38, 202, 334</p> <p>Rollers Cessna Flap 208-207, 328 Cessna Seat 252-256, 346 Piper Seat 257, 317-318</p> <p>Rotax Compression Tester Extension 41, 93, 352 Engine Controls 17, 42, 45 Oil Drain Valve Adapters and Openers 131-132</p> <p>Rudder Bushings and Bearings 208 Caps and Tips 277-301 Bearing Tool 208, 348 Oversize, Piper 322 Pedal Bar, Cessna 194, 323, 326 Pedal Shaft 194, 326 Pedals, Cessna 194 Skins, Cessna 200-201 Trim Cover 302-314 Trim Sprocket 197</p> <p style="text-align: center;">S</p> <p>SAAB Bushings 318</p> <p>SAFE-HEET Engine Preheater 72-73</p> <p>Safety Cables 320 Plate, Torque Link 215-216</p> <p>Scoring Tool, Cowl Saver™ 75, 348</p> <p>Scraper Ring, Main Gear, Piper 224</p> <p>Screen Gaskets, Carb. Inlet 139</p> <p>Screw Jack 198, 355 Kits, Seat Rail 249 Pitot Tube 352 Seat Rail 249 Seat Stop 251 Transmitters 135-137</p> <p>Seam Roller (PROP GUARD) 76, 348</p> <p>Seal Extrusion 264-265</p> <p>Seal Kits, Fuel Strainer 124-125</p> <p>Seals Beechcraft 264 Door 264-265 Fuel Cap 139, 315 Wheel 228-229 Window 264-265</p> <p>Seal Kit Brake and Master Cylinder 245, 333 Door and Window 264-265 Fuel Selector Valve 142-146 Fuel Shut-Off Valve 142-146 Nose Strut, Beech 224 Nose Strut, Cessna 219 Nose Strut, Piper 223-224 Primer 122</p> <p>Seal Lube 264-265</p> <p>Seat Adjustment Spring, Piper 258 Back Frame 250, 324 Back Panel 250, 324 Belt Attachment Kit 321 Belt Shackles 260 Channel Trim 308-312 Components, Cessna 246-256 Crossbar, Rear Removable, Piper 321 Feet 250 Fittings 259-260 Folding 321, 215 Heater, Rear 321 Kits 250, 321 Roller Housing 253-256, 346 Roller Kits 252 Roller and Bushings 257 Safari, Piper 250, 321 Stop Kits 251 Tracks 246-248, 257, 259-260, 339</p> <p>Seat Rail Brownline 259-260, 339 Cessna, Piper 246-248, 257 Extrusion 248, 339 Hardware 259 Housing Gauge 253, 346 Kits 250, 321 Repair Kit, Citation 250 Wear Gauge 252, 346 Templates 246-248 Tie Downs 249, 259-260, 334 Seat Roller Housing 253-256, 346 Seal Release Control Assembly 250 Selector Switches Universal Cylinder 151</p>	<p>Shackles Seat Belt 260</p> <p>Shaft Carb Heat 66, 69 Piper U-joint 196, 346 Stabilator Trim Jack Screw 318 Trim Barrel 197, 318</p> <p>Shield 76, 88, 279-293, 302-314</p> <p>Shim, Landing Gear Box 225, 322</p> <p>Shim, Prop Shaft 96, 318</p> <p>Shimmy Dampener Assembly 15, 221-222 Parts 220-222 Seal Kit 220-221</p> <p>Shock Struts 15, 224, 320, 334</p> <p>Shoulder Harness Attach Brackets 322 Cover 308-314 Inertia Reel 308-314 Tray 302-314</p> <p>Shrouds 15, 71, 99-121, 319, 324-325</p> <p>Ski Springs 320</p> <p>Skins, Cessna 200-201</p> <p>Solenoid Starter Cover 310</p> <p>Spar Reinforcing Strut Bracket 320</p> <p>Spark Plugs 47-50, 133</p> <p>Spark Plug Gasket 47, 355</p> <p>Spinner Bulkhead 71, 316</p> <p>Spoiler Hinge, Caravan 201, 337</p> <p>Spotface Kit 249</p> <p>Spring Fuel Strainer 124-125 Piper Seat, Adjustment 258 Throttle Return Rotax 41-42 Seat Adjust 258 Ski 320</p> <p>Sprocket Aileron Trim 197, 327 Elevator Trim 197-198 Rudder Trim 197-198 Steering Bungee, Cessna 213 Steering Rod End, Cessna 213 Steering Sprocket, Cessna 213</p> <p>Stabilator Adjust Cable, Piper 178 Bracket, Helio Aircraft 343 Tips 295-298 Trim Kits, Piper 179-187, 197</p> <p>Stabilizer Jack Screw Actuator Kit 198 Jack Screw Pin Tool 198, 355 Spacer, Cessna 326</p> <p>Standard Hardware 194</p> <p>Standpipe, Fuel Strainer 124-125</p> <p>Starter Control Cable 24</p> <p>Starter, Solenoid Cover 310</p> <p>Static Wick 317-318</p> <p>Steel Axle 213</p> <p>Steering Rod Boots, Cessna 212-213 Cessna 212-213</p> <p>Steps 201, 263, 265, 320, 323, 325, 334-335, 338</p> <p>Stewart Warner Oil Coolers 91-93</p> <p>Stiffener, Cessna Flap Trailing Edge 262</p> <p>Stinger 286-300</p> <p>Stop Assembly, Barrel 42-43, 45</p> <p>Stop Lugs, Torque Link 216</p> <p>Strainer Drain Cable 24, 124-125 Fuel Cover 289 Fuel System 122-130</p> <p>Strobe Light Mounting Bracket 322</p> <p>Strut Fairings 295-298 Main Gear Shock 320 Nose Gear Inner Lower Tube 317-318 Seal Kits 219, 223-224 Spar Reinforcing Strut Bracket 320</p> <p>Sun Visor Blade 308-313</p> <p>Switch Panel 308-313</p> <p>Switch Plate 308-313</p> <p>Switches 151, 281, 285, 290, 294</p> <p>Swivel, Retractable Brake 11, 256</p> <p>Swivel Fittings and Studs, Piper 30-32</p> <p>Symmetrical Wing Tips, Piper 277-281</p> <p>Syringe, TCP 148</p> <p style="text-align: center;">T</p> <p>T-34 Flight Control Cables 154, 190</p> <p>Tail Tie Down Handle, Rear 334</p> <p>Tail Cone Angle Kit 256</p> <p>Tailcone Fairings 278-301</p> <p>Tailpipe 99-121 Cessna 323-324 Clamp 319 Hangar Assembly 324 Support Assembly 324</p> <p>Tail Stinger 286-301</p> <p>Taper Pin 196</p>	<p>Temperature Controller 73</p> <p>Templates, Seat Rail 246-248</p> <p>Tester/Calibrator, Alcal 2000+ 148</p> <p>Terminal Conduit 42, 45-46</p> <p>Terms and Conditions 361-362</p> <p>Tester, Engine Compression Extension 41, 93, 352</p> <p>Thermocouple Probes 148-153</p> <p>Thermocouple Wire, Bulk 149</p> <p>Throttle Controls 17-23, 26-27, 33-35, 41-73 Hardware Kit, Rotax 42 Spring, Rotax 42 Vernier-Assist 17-23, 26-27, 33-35, 41, 43</p> <p>Titanium Axles 213</p> <p>Tie Down Bracket 321 Trim Plate 333 Tie Downs, Cargo 249, 259-260, 321, 323, 334</p> <p>Timken Bearings 224, 228-229</p> <p>Tips 277-301</p> <p>Tire Balancer 242, 333, 349</p> <p>Tire Scraper, Cessna Caravan 226, 332</p> <p>TIT Components and Kits 148-151</p> <p>TIT Gauges 151</p> <p>Tools 340-355</p> <p>Top Assembly, Fuel Strainer 124-125</p> <p>Torque Link Assembly 211, 214-215 Bushing Removal 218 Nose Gear 214-218 Nose Gear Bumper 318 Pin 315 Repair Kit, Cessna 214 Repair Kit, Piper 217-218 Repair, Caravan 225, 337 Safety Plate 216 Shim Kit 214 Spacers 214 Stop Lugs 216 Ultra-Thin Washers 214 Upper Assembly Cessna 216</p> <p>Tow Pin, Beechcraft 224</p> <p>Transducers 316-317</p> <p>Transmitter, Gasket & Screw-Seal Assembly 135-138</p> <p>Transmitters, Fuel Quantity 135-138</p> <p>Tray 303-308</p> <p>Trim Actuator 199 Actuator Boot and Clamp 198 Barrel and Shaft 197, 318 Chain 154-178 Parts, Interior 302-314 Shaft 197 Sprocket 197, 327</p> <p>Trim Wheel Catch Assemblies 197 Shaft, Cessna 197-198 Shaft, Piper 197-198 Sprockets 197 Wheel Assembly, Cessna 198</p> <p>Tube Bender 346</p> <p>Tube Nose Gear Strut Inner Lower 318</p> <p>Tubes, Intake Manifold 94-95</p> <p>Tubes, Oil-Drain Back 94-95</p> <p>Turnbuckle Locking Clips 154, 179-184</p> <p>Turnbuckles 154, 194</p> <p>Turn-to-Lock Controls 17, 40</p> <p style="text-align: center;">U</p> <p>Universal Controls 39-40, 43 Cylinder Selector Switches 151 Joint, Cessna Yoke 195 Joint, Piper Yoke 196 Joint Taper Pin Removal Tool 196, 346 Light-Weight Controls 40 Mixture Control 18-23, 26-27, 33-35 Push-to-Unlock Controls 39 Turn-to-Lock Controls 40, 42 Witness Hole Drill Fixture 196</p> <p style="text-align: center;">V</p> <p>V-Belt, Alternator 353-354</p> <p>V-Brace 323</p> <p>V-Brace Assembly 325</p> <p>Vacuum Pumps 9, 56-61, 133</p> <p>Vacuum Pump Cooling Kit 71</p> <p>Vacuum Pump Wrench 24, 55, 355</p> <p>Valve Cover Gaskets 94-95</p> <p>Valves, Deice 55-61</p> <p>Valve Fuel Drain, King Air 123</p> <p>Valve Guide Cleaning Reamers 97, 351</p> <p>Van's Engine Controls 34</p> <p>Variable Temperature Controller 73</p> <p>Vent Bulkhead 308-312</p> <p>Vent Exhaust 308-312</p> <p>Vent Line, Fuel Cessna 122-123</p> <p>Vent Tube Adapter 352</p>
--	--	--

Vernier Controls
 Vernier-Assist.....17-23, 26-27, 33-35, 41-44, 329
 Mixture Control (MC600) 18-21, 26-27, 34-35

Vertical
 Fin Caps..... 277-301
 Post Cover..... 302-305

W

Weld Boss Plug 153

Wheel
 Bearing Cups and Cones 228-229
 Felts 15, 228-229
 Nose Axle..... 213
 Pants 277-301
 Pant Mounting Plates, Cessna..... 218
 Seals and Retainers 228-229
 Seal Kits 229, 333
 Tail Fork Bearing, Cessna..... 224

Window
 Cleaner..... 73, 340
 Cover 302-314
 Molding..... 302-314
 Seals 264-265
 Side 302-314
 Trim 302-314

Windshield..... 302-314

Wing
 Bolt Covers..... 302-314
 Fairings and Tips 277-301
 Root Fairings..... 277-301
 Position Light Shield..... 277-301
 Wiper Blade 316-317

Wire
 Clamps, Cessna..... 18-22, 35, 336
 Replaceable Punches..... 351

Witness Hole Drill Fixture..... 196

Wrench Set, Push-Pull Control..... 355

Wrench, Vacuum Pump 24, 355

Wrenchless Compression Tester 41, 93, 352

Y

Yoke, Beechcraft..... 316

Notes

ORDERING DETAILS

Orders may be placed 24/7 online at www.mcfarlaneaviation.com or by email to sales@mcfarlaneaviation.com. Orders may also be placed by phone, 800-544-8594, 7:30 am-5:30 pm Monday thru Thursday and 7:30 am-5:00 pm on Friday, C.S.T. (Central-Standard-Time) zone. All email and online orders received will be confirmed within one business day. We require no minimum order amount on our in-stock parts, however, custom and non-stock items may require a deposit. In addition, Special/Custom orders will require a deposit of 50% upon ordering then paid in full before shipment. To avoid duplication of orders, please mark any follow up purchase orders prominently and clearly with "confirming-do not duplicate". Those not marked will be processed as a new order and will be at the expense of the purchaser.

McFarlane cannot be responsible for delays or non-fulfillment due to electricity or equipment failure, riot, fire, flood, strikes, or other causes beyond our control. McFarlane is closed for six U.S. holidays: New Year's Day, Memorial Day, Fourth of July, Labor Day, Thanksgiving, Christmas.

McFarlane will provide F.A.A. form 8130-3 Airworthiness Approval Tag for export, on request, provided all of the F.A.A. and importing country's requirements can be met. Please provide the Destination Country. 8130-3 tags cannot be provided once order has shipped. Additional fees or delivery delays may apply.

METHOD OF PAYMENT

VISA, MasterCard, Discover, American Express, C.O.D., prepayment, A.C.H., and wire transfer are accepted for payment. All transactions are in United States Dollars. All prices are subject to change without notice.

When using a credit card, the card must be in the name of the person or company ordering. For your protection, McFarlane cannot accept credit card info via email. Credit/debit cards are pre-authorized for funds at the time of order with estimated freight; the credit/debit cards are charged the day the order is shipped. International customers can check with their bank or credit card company for conversion rates. When the order ships, we will settle and collect the amount of the order including but not limited to the merchandise, applicable taxes, freight, and/or ancillary charges and any authorized amounts in excess of the settled amount will be released.

When paying by check, the check must have the name of the person or company who ordered on it. Company checks submitted for payment must have the same name as the company named on the invoice. All checks returned for insufficient funds will be subject to a \$30.00 returned check fee. When you provide a check as payment, you authorize us either to use information from your check to make a one-time electronic fund transfer from your account or to process the payment as a check transaction. When we use information from your check to make an electronic fund transfer, funds may be withdrawn from your account as soon as the same day you make your payment, and you will not receive your check back from your financial institution. The opt out of B.O.C. check conversion applies to only one specific check; an opt out must be given with each check. International checks must be payable in U.S. funds and payable through a U.S. bank. Canadian checks required to send for clearing will not be considered received until the 2 to 4 week clearing period. International wire transfers that are under \$1,000 will be reduced by the actual amount of U.S. bank clearing fees. McFarlane will pay all U.S. bank clearing fees for wire transfers over \$1,000. For inquiries, please call Accounting at 800-544-8594.

Cash on Delivery (C.O.D.) guaranteed funds are required for customers with C.O.D. orders over \$600.

Open Accounts (Net Terms) can be established for bonafide aircraft service organizations. Credit references are required. Finance charges will be applied to all balances past due on the last business day of each month. The finance charge rate is 1.25% per month of the balance. Payment of finance charges is a condition of continuing credit. An invoice will be put with the shipment and one will be emailed. Please pay from the invoice as no statement is mailed for current balances. To apply for an open account, download a credit application at <http://www.mcfarlaneaviation.com/pdfDocuments/CreditApp.pdf>, print it, fill it out, and then email it to accounting@mcfarlaneaviation.com, or fax it to (785) 594-3922.

For drop ship orders, invoices are emailed and a packing list is sent with the shipment when requested. Statements are only mailed if the account is past due. Upon failure of payment, buyer hereby grants McFarlane the right to reclaim all of the inventory. Buyer hereby grants McFarlane a security interest in and to said goods as security for performance of the terms of this agreement.

SHIPPING OPTIONS/CUT-OFF TIMES

Same day shipping will apply to most orders. All orders are shipped FedEx, U.S. mail service, UPS, or DHL. Custom manufactured items will be determined by order. Exact freight and insurance charges apply. Daily Shipping Cut-Off Times are applicable for M-F, business days McFarlane is Open. Times below are in the Central Standard Time zone.

- DHL - 9:00AM
- USPS - 10:00 AM
- Distributor/Large Stock Orders - 1:00 PM
- FedEx - 3:00 PM
- UPS Ground, With 8130-3 Tag, 4:00 PM
- Monday-Thursday - UPS Ground and Air, without 8130-3 Tag, 5:00 PM
- Friday - UPS Ground and Air, Without 8130-3 Tag, 4:30 PM
- UPS Overnight/Rush 5:30 PM - will incur \$10 Rush Fee
- UPS Special Dropoff/A.O.G. 6:15 PM - Will incur \$50 A.O.G. Fee

Certain products have restrictions due to size or shipping air. Additional crating charges may apply for certain products. Shipping terms are F.O.B. Baldwin City. International Inco term: F.C.A. Baldwin City. Title of goods transfers when shipment leaves Baldwin City, KS and has been paid in full. All shipments are insured unless otherwise instructed. Product damage or loss incurred in transit is the responsibility of the carrier. McFarlane will provide customers with assistance in tracking packages and filing claims.

A handling charge of \$2.75 is added to all domestic orders. A handling charge of \$5.00 is added to all international orders, and \$35.00 to all shipments requiring the F.A.A. Form 8130-3 tag for export. Labor charges apply for certain certifications. An additional \$4.50 handling charge is added to C.O.D. orders.

RETURNS

Please call, 800-544-8594, or email our sales department, sales@mcfarlaneaviation.com, for a R.M.A. (Return Merchandise Authorization) number and instructions. Submitting an RMA request does not automatically constitute authorization.

It is the customer's responsibility to verify application eligibility prior to starting the install. McFarlane is not responsible for parts installed incorrectly due to suggested applicability. It is the duty of the purchaser/installer to verify eligibility prior to install.

A refund cannot be issued on any product returned without proper F.A.A. identification, i.e. lost or unreadable part numbers and lot numbers. Product kits can be returned only if all the components of the kit are included. Returned merchandise and packaging must be in a sellable condition. Any product returned may be subject to a re-stock fee to be determined by McFarlane. Custom and special-order items are non-returnable. McFarlane will make a good faith effort for prompt correction or other adjustment with respect to any product which proves to be defective within the warranty period. Customer assumes risk of loss while in transit; it is highly recommended the returns be insured.

CHANGES OR CANCELLATIONS

Please contact us for changes or cancellations. We will make every attempt to change or cancel an order when requested. However, since same day shipping is usually provided, a request for changes or cancellations may not be possible. Shipping charges, refusal fees, and special handling charges will be the responsibility of the purchaser if applicable. Custom jobs will be charged to the degree of progress.

USE OF MCFARLANE AVIATION PRODUCTS

Due to the possibility of error in eligibility data or misprints published by McFarlane and/or the possibility of non-standard aircraft configurations, McFarlane cannot be responsible for eligibility of our products. In addition, McFarlane does not exercise control over the installation or use of McFarlane products, and therefore cannot be responsible for misuse or improper installation. The user of McFarlane products must verify installation, eligibility, and proper installation and function. McFarlane disclaims any liability for product defect claims that are due to product misuse, improper product selection or misapplication, and any descriptions that does not express or imply a warranty that the products are merchantable or fit for a particular purpose.

If you resell McFarlane products, you must exercise due diligence to conform to policies and regulations of U.S. Export requirements and restrictions.

WARRANTY

All products are warranted for one year from the date of sale to the original consumer against defects in workmanship and materials. McFarlane's only obligation shall be to repair or replace the product at the manufacturers option provided it is returned transportation prepaid to the factory within one year from the date of sale to the original consumer. Defects or failures due to incorrect installation, improper usage or handling, or by any other condition beyond our control, as to any and all of which McFarlane will be sole judge, are specifically excluded from this warranty. This warranty gives you specific legal rights.

Warranty for product not manufactured by McFarlane is determined by the manufacturer. Contact a McFarlane representative before returning product for information and instructions. Not all products need to be returned. Shipping may be refunded after evaluation but customer assumes risk of loss while in transit. EXCEPT AS PROVIDED IN THIS AGREEMENT, THERE ARE NO EXPRESS WARRANTIES COVERING THE PRODUCTS, AND MCFARLANE SHALL NOT BE RESPONSIBLE FOR ANY INCIDENTAL OR CONSEQUENTIAL DAMAGES RELATING TO, OR RESULTING FROM ANY DAMAGE TO, OR DEFECT IN, SAID PRODUCTS. TO THE EXTENT

Continues on the next page

Continued from the previous page

ALLOWED BY LAW, EXCEPT FOR THE WARRANTY EXPRESSLY PROVIDED IN THIS AGREEMENT, MCFARLANE HEREBY DISCLAIMS ANY IMPLIED WARRANTIES, INCLUDING, WITHOUT LIMITATION, THE IMPLIED WARRANTIES OF MERCHANTABILITY OR FITNESS FOR A PARTICULAR PURPOSE.

CORE POLICY

Each Manufacturer has a different policy regarding what is acceptable for core returns. Contact a McFarlane representative before returning core for information and instructions. Cores returned must be complete and "AS REMOVED" from the aircraft on which they were operating. Returning an incomplete and/or damaged core or a core different from the model/part number of the part requested in exchange may result in deductions from the core deposit. Some cores may be unacceptable and may be of zero value as a core. Cores that are severely damaged, not of the appropriate model/part number, have major parts missing, or that do not have data plates, for example, may be rejected and will be returned to the customer at the customer's expense. Returning a core later than 30 days after the date of purchase of the exchange part associated with the core may result in deductions from the core deposit.

JURISDICTION AND VENUE

The sales agreement was formed in the state of Kansas and shall be governed by the laws of the state of Kansas. By purchasing a product(s) from McFarlane, customer hereby submits itself to the jurisdiction of the State of Kansas for all disputes arising from or relating to this Agreement or either parties performance (or lack thereof) of any obligation under this Agreement. Venue for adjudicating the merits of any claim arising from this agreement shall be solely the Kansas District Court for Douglas County, Kansas, and Customer hereby waives any claim of improper venue or that such forum is not convenient; provided, however, that notwithstanding the foregoing, a lawsuit may be filed by a party (the "Plaintiff" against the other party (the "Defendant") in a court located in the State and County in which the Defendant's primary place of business is located. Claims made under this agreement shall be made within twelve months of the date of purchase, and the parties to this agreement hereby waive any longer statute of limitations that may be applicable.

In the event that legal action be instituted to enforce the terms of this agreement, the prevailing party shall be entitled to reasonable attorney's fees and costs including costs of collection and reclaiming inventory.

TRACEABILITY

All McFarlane parts are fully traceable with the lot number that is marked on each part or its packaging. McFarlane maintains traceability to all purchases, raw materials, processing, inspections and testing using this number. Record this number in your aircraft maintenance records and you will always have traceability of our replacement parts. Upon request with a valid lot number, specific information will be provided at no charge. If a complete or extensive level of detail is requested (e.g. details for all levels of sub-assemblies), then an administrative fee may be charged as the amount of data can be substantial.

PROPRIETARY RIGHTS

McFarlane logos and trademarks, as well as other marks, trade names, trademarks and logos, are the properties of their respective owners. You may not use, reproduce, copy or manipulate such logos in any manner without the prior written consent of the owner. The entire content of this site is subject to copyright, trademark, or other proprietary rights or licenses held by McFarlane or a McFarlane affiliate or by third parties who have given McFarlane permission to use.

MODIFICATION OF CONTENT

McFarlane reserves the right to modify or update content at any time without prior notice to you for any reason, including without limitation to correct any errors or inaccuracies in the content.

SOCIAL MEDIA

McFarlane's social media accounts (Facebook, LinkedIn, Twitter, Instagram, and YouTube)("Social Sites") are a place for you to learn more about us. McFarlane is not responsible for third party content posted or appearing on these Social Sites, including but not limited to content and links posted by users. McFarlane does not control or endorse nor is it responsible for third-party content and makes no representations regarding the accuracy of content, information, opinions, claims or advice shared by McFarlane followers.

We reserve the right to remove postings that are: (a) abusive, defamatory or obscene; (b) fraudulent, deceptive or misleading; (c) in violation of copyright or intellectual property laws; (d) contain advertising or SPAM; (e) and any other content that McFarlane may deem inappropriate. McFarlane reserves the right to ban and block individuals who do not follow these basic rules of engagement.

The McFarlane Legacy Continues

Dave's Granddaughter, Karlie Designs New Sign

We take pride in providing for our customers and our community. Dave, his family, and our team's commitment of hard work, vision, and creativity has established and extended the McFarlane legacy for many years.

This legacy, especially as it relates to creativity, vision, and quality, lives on through the McFarlane family and now the next generation. Dave's granddaughter, Karlie has inherited the traits that have been foundational to the McFarlane legacy. As construction was underway for our fourth building, Karlie came to Dave with an idea on a new sign. Dave talked to various sign companies – all saying it could not be done. So, in McFarlane fashion, Karlie said she could do it!

Not only does Karlie have a creative mind, she had the talent to execute her creative designs. The result of her efforts is our new sign on the front of Building D. She spent many hours putting her talent and love for her grandpa into creating a beautiful symbol that represents our company so well.



We are a diversified manufacturing company that specializes in providing affordable, high quality FAA-PMA components. In addition, we offer a complete line of custom designed and OEM products including door and flight control cables, push-pull controls, cargo and seat rails and many other unique products for the broader aerospace industry.

Engineering

Manufacturing

Distribution

Push-Pull Controls

Seat and Cargo Rails

More than PMA

We build custom components

*McFarlane is the world's largest manufacturer
of aircraft flight cable assemblies.*



McFarlane®



**THE WORLD'S LARGEST
MT COMPOSITE PROPELLER DISTRIBUTOR**



**POWERFUL
DURABLE
SAFE
VIBRATION-FREE**

mt-propeller

**Aviat Husky
MTV-9-B "Ultra"**

See page 16 for
more details!