

TRUE BLUE POWER®

A division of Mid-Continent Instrument Co., Inc.

Emergency Battery Power Supply

TS60 Series

Manufactured by Mid-Continent Instrument Co., Inc.



TS60

The TS60 Series Emergency Battery Power Supply features advanced NanoPhosphate® lithium-ion cell chemistry that offers distinct advantages over older, nickel-cadmium designs. This includes significantly reduced maintenance costs, drastically improved life expectancy, low state-of-charge indication and an on-unit visual status indicator.

The battery power supply automatically provides a constant 6.6 VDC power for emergency lighting systems in the event of electrical system failure.

Product features

CAPACITY	TS60-1 / TS60-2	28 watt-hour
	TS60-3 / TS60-4	43 watt-hour
WEIGHT	TS60-1 / TS60-2	3.8 lbs (1.72 kg)
	TS60-3 / TS60-4	4.0 lbs (1.81 kg)
TECHNOLOGY	Advanced NanoPhosphate® lithium-ion cell chemistry	
INPUT VOLTAGE	TS60-1 / TS60-2	17 – 32 VDC
	TS60-3 / TS60-4	24 – 32 VDC
OUTPUT POWER	TS60-1	6.6 VDC nominal, 4 amps max
	TS60-2	6.6 VDC nominal, 7 amps max
	TS60-3	6.6 VDC nominal, 4 amps max
	TS60-4	6.6 VDC nominal, 7 amps max
MAINTENANCE SCHEDULE	2 years	
BATTERY LIFE EXPECTANCY	6 – 8 years	
DIRECT REPLACEMENT	TS60-1	Honeywell Grimes 60-3844-()
	TS60-2	Honeywell Grimes 60-5025-()
	TS60-3	Honeywell Grimes 60-3844-()
	TS60-4	Honeywell Grimes 60-5025-()
RECHARGING	Maintains full charge by recharging during normal flight operations	
DESIGNED AND MANUFACTURED	Wichita, Kansas, USA	
WARRANTY	Two-year limited	

STC APPROVED Bombardier DHC-8 Series 100 / 200 / 300 / 400

Kansas

9400 East 34th Street North
Wichita, Kansas 67226 USA
Tel 316.630.0101 800.821.1212
Fax 316.630.0723
tbp@mcico.com

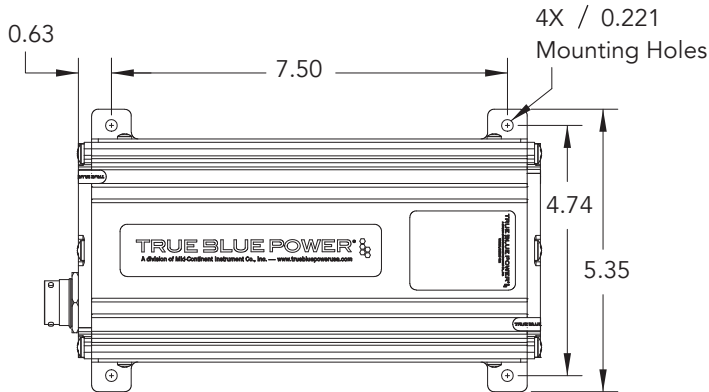
California

16320 Stagg Street
Van Nuys, California 91406 USA
Tel 818.786.0300 800.345.7599
Fax 818.786.2734
tbp@mcico.com

Emergency Battery Power Supply

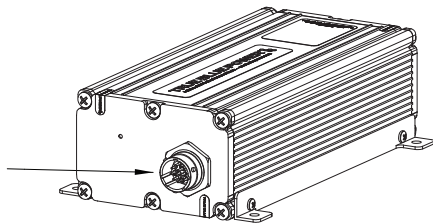
TS60 Series

Manufactured by Mid-Continent Instrument Co., Inc.



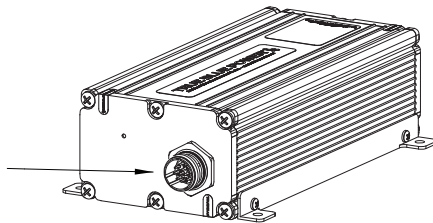
TS60-1
TS60-3

Connector per
M83723/74W1212N



TS60-2
TS60-4

Connector per
M83723/85W1212N



Technical specifications

CAPACITY	TS60-1 / TS60-2	28 watt-hour
	TS60-3 / TS60-4	43 watt-hour
INPUT VOLTAGE	TS60-1 / TS60-2	17 – 32 VDC
	TS60-3 / TS60-4	24 – 32 VDC
OUTPUT POWER	TS60-1	6.6 VDC nominal, 4 amps max
	TS60-2	6.6 VDC nominal, 7 amps max
	TS60-3	6.6 VDC nominal, 4 amps max
	TS60-4	6.6 VDC nominal, 7 amps max
WEIGHT	TS60-1 / TS60-2	3.8 lbs (1.72 kg)
	TS60-3 / TS60-4	4.0 lbs (1.81 kg)
TECHNOLOGY	Advanced NanoPhosphate® lithium-ion cell chemistry	
DIMENSIONS	2.60" H x 8.75" L x 5.35" W	
BATTERY LIFE EXPECTANCY	6 – 8 years	
PROTECTION	Overcharge, over-discharge, over-current, short circuit, and temperature monitoring	
MATING CONNECTOR	TS60-1	M83723/74W1212N
	TS60-2	M83723/85W1212N
	TS60-3	M83723/74W1212N
	TS60-4	M83723/85W1212N
CASE	Anodized aluminum, extrusion, blue	
CERTIFICATION	FAA TSO C179b certified Class A-3A RTCA-DO 311A qualified RTCA-DO 160G qualified	

Product comparison

Part Number	Battery Technology	Voltage Output	Capacity (1C rate)	Weight	Battery Life Expectancy
6430060-1 (TS60-1)	Lithium-ion	6.6 VDC	28 Watt hours	3.8 lbs	6 years
6430060-3 (TS60-3)	Lithium-ion	6.6 VDC	43 Watt hours	4.0 lbs	8 years
60-3844-1	Nickel-cadmium	6.4 VDC	20 Watt hours	3.6 lbs	4 – 5 years
6430060-2 (TS60-2)	Lithium-ion	6.6 VDC	28 Watt hours	3.8 lbs	6 years
6430060-4 (TS60-4)	Lithium-ion	6.6 VDC	43 Watt hours	4.0 lbs	8 years
60-5025-1	Nickel-cadmium	5.2 – 7.5 VDC	20 Watt hours	4.3 lbs	4 – 5 years