

APPLICATION SHEET



FAA REPAIR STATION UT3R905L
JAA JAR 145.10
FAA-PMA PARTS MANUFACTURING APPROVED

ENGINE VIBRATION ISOLATORS
TYPE 7350721-7 and 7350721-8

Barry Controls™ Aerospace designs and manufactures engine vibration isolation systems to meet the exacting standards of the aircraft industry. These systems are designed to reduce the magnitude of vibration transmitted from the propeller/powerplant to the airframe. Isolation provides: reduced pilot fatigue, passenger comfort, and maximum protection of the aircraft structure and systems from the damaging effects of vibration. To maintain maximum performance and protection from the isolation system, replacement is recommended at each engine overhaul.

Barry Controls™ Aerospace has been granted Parts Manufacturers Approval (PMA) for vibration isolator type numbers 7350721-7 and 7350721-8 for the aircraft listed below. The spacer located between the molded assemblies provides proper installation positioning and pre-compression when isolator is installed.

APPLICATIONS

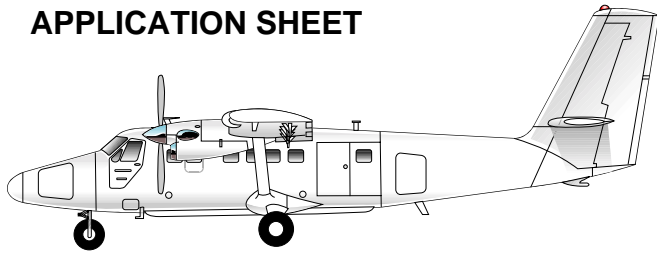
PART NUMBER	AIRCRAFT MANUFACTURER	MODEL	POPULAR NAME	ENGINE	ISOLATORS PER ENGINE	ISOLATORS PER AIRCRAFT
7350721-7 *	de Havilland	DHC6-100, -200	Twin Otter	PT6A-20	3	6
		DHC6-300 UV-18A	Twin Otter	PT6A-27	3	6
		DHC-2	Turbo Beaver Mk II	PT6A-20	3	3
7350721-8 **		DHC6-100, -200	Twin Otter	PT6A-20	3	6
		DHC-2	Turbo Beaver Mk II	PT6A-20	3	3

* 7350721-7 supersedes 7350721-1 thru 7350721-6 for use on the PT6A-20 and PT6A-27 engines.

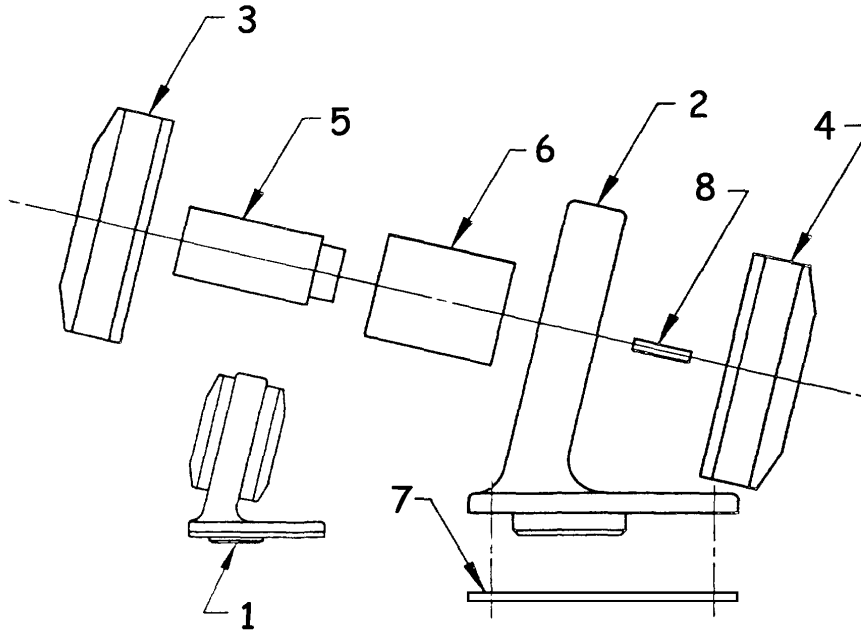
** 7350721-8 may be used on the PT6A-20 engine but may not be used on the PT6A-27 engine

Barry Controls™ Aerospace offers the 7350721 series vibration isolators as assemblies and as component parts for repair and/or replacement purposes. An illustrated parts breakdown and component part number list are provided on page 2. For additional information, applications assistance, and technical support, please contact our customer service department.

APPLICATION SHEET



FAA REPAIR STATION UT3R905L
 JAA JAR 145.10
 FAA-PMA PARTS MANUFACTURING APPROVED



ITEM	DESCRIPTION	APPLICABLE PN'S FOR ENGINE MODELS		QTY PER ASSY
		PT6A-20	PT6A-27	
1	Isolator Assembly	7350721-8 *	7350721-7 **	Ref
2	Bracket, Mounting	7351256-2	7351256-2	1
3	Molded Assembly	7351257-11	7351257-9	1
4	Molded Assembly	7351257-10	7351257-7	1
5	Spacer	7351261-1	7351261-1	1
6	Tube, Bumper	7351260-1	7351260-1	1
7	Gasket	R20702-2	R20702-2	1
8	Pin, Spring ***	MS171465	MS171465	1

* 7350721-8 Molded Assemblies are color coded green.

** 7350721-7 Molded Assemblies are color coded yellow.

*** Effective January 1979, Pin is an integral part of the Mounting Bracket